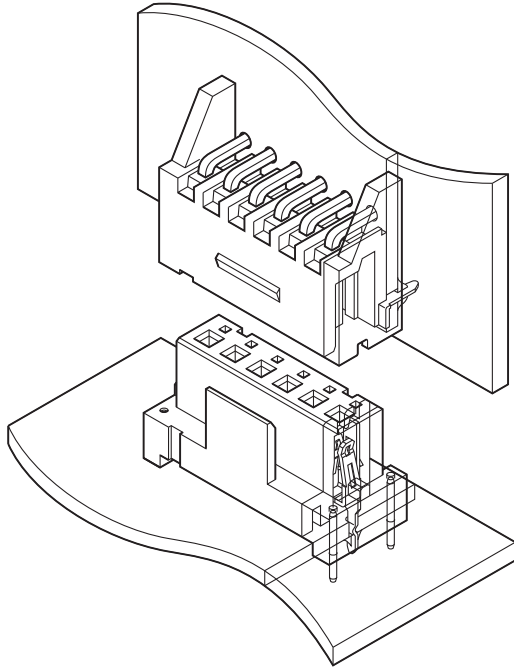


JL CONNECTOR

2.5 mm pitch/Board-to-Board connectors/Mating style



The JL series is a 2.5 mm pitch board-to-board connector designed for perpendicular connections with improved mounting strength. It is robust and offers excellent resistance against shock and vibration.

- High contact pressure contact
- High reliability locking mechanism
 - *There are two types of locks: secure lock and friction lock
- Increased board mounting strength with reinforcement pins
- Polarization feature to prevent incorrect mating
- Superior pry resistance

■ Standards

Ⓜ :Recognized E 60389

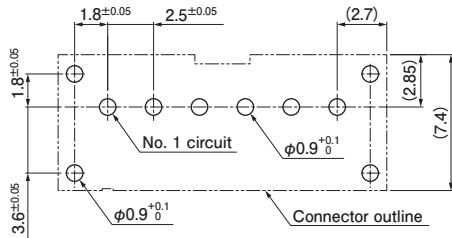
Ⓢ :Certified LR 20812

■ Specifications

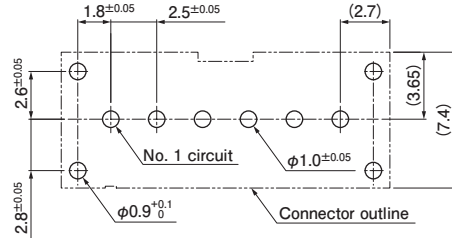
- Current rating: 3 A AC/DC
 - Voltage rating: 250 V AC/DC
 - Temperature range: -25°C to +85°C
(including temperature rise in applying electrical current)
 - Contact resistance:
 - Initial value/ 10 mΩ max.
 - After environmental tests/ 20 mΩ max.
 - Insulation resistance: 1,000 MΩ min.
 - Withstanding voltage:
 - There shall be no breakdown or flashover while applying 1,000 VAC for one minute.
 - Applicable PC board thickness: 1.6 mm
- * Please refer to the "Handling Precautions for Terminals and Connectors" on our website (listed in the "Technical Documents" column on the Product Information page) before use.
- * RoHS2 compliance
 - * Dimensional unit: mm
 - * Contact JST for details.

PC board layout and Assembly layout

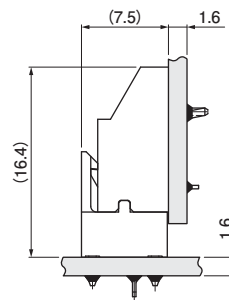
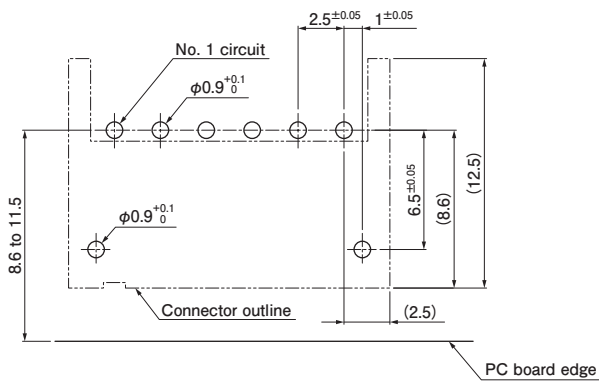
Socket



Socket on radial-tape

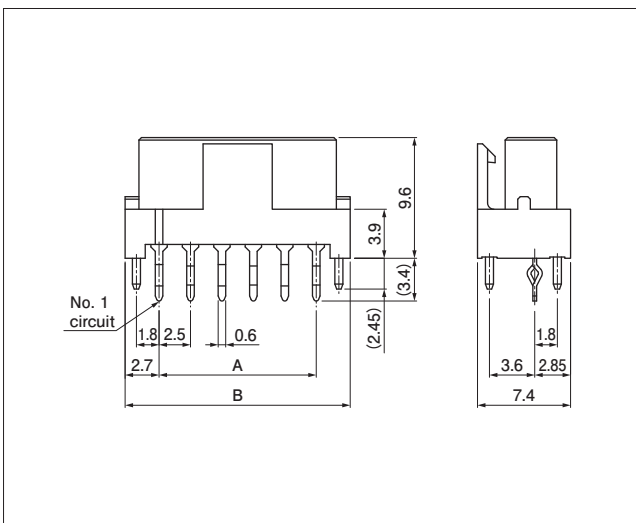


Header



- Note: 1. The PC board layout is the figure viewed from the connector mounting side.
 2. Tolerance for the PCB hole pitch shall be ± 0.05 and shall not accumulate.
 3. Hole dimensions differ according to the type of PC board and piercing method.
 The above dimensions are reference values. Please contact JST for details.

Receptacle



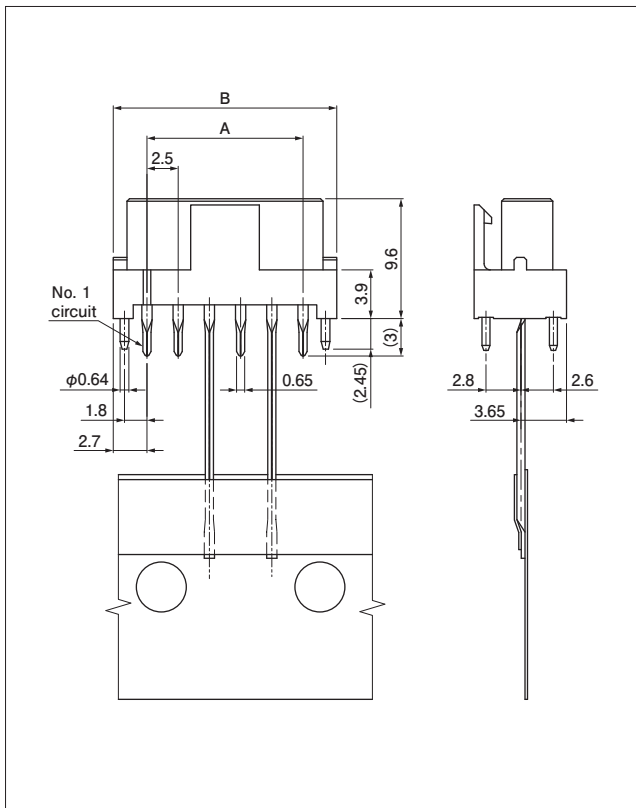
No. of circuits	Model No.	Dimensions (mm)		Q'ty/box
		A	B	
3	03JL-BT-E	5.0	10.4	250
4	04JL-BT-E	7.5	12.9	200
5	05JL-BT-E	10.0	15.4	200
6	06JL-BT-E	12.5	17.9	200
7	07JL-BT-E	15.0	20.4	200
8	08JL-BT-E	17.5	22.9	100
9	09JL-BT-E	20.0	25.4	100
10	10JL-BT-E	22.5	27.9	100
11	11JL-BT-E	25.0	30.4	100
12	12JL-BT-E	27.5	32.9	100
13	13JL-BT-E	30.0	35.4	100
15	15JL-BT-E	35.0	40.4	50

Material and Surface finish, etc.

Contact: Phosphor bronze, tin-plated
 Housing: PA 66, UL94V-0, blue
 Reinforcing pins: Brass, copper-undercoated, tin-plated

Note: This product displays (LF) (SN) on a label.

Receptacle on radial-tape



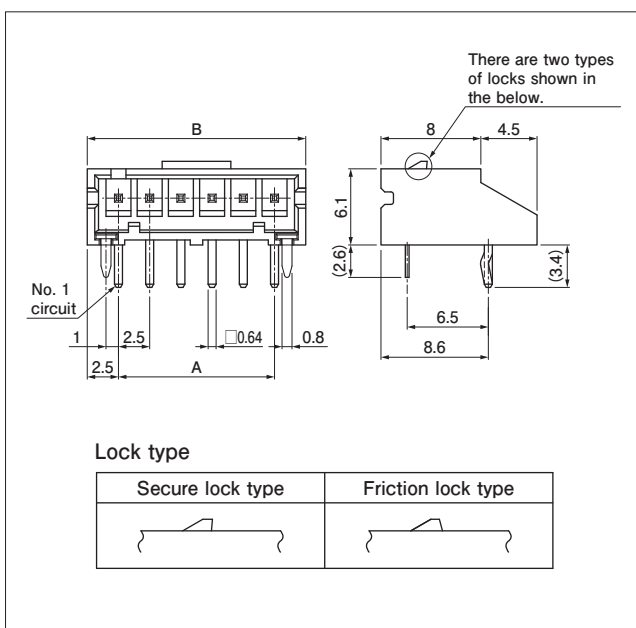
No. of circuits	Model No.	Dimensions (mm)		Q'ty/box
		A	B	
5	05JL-BT-M-T	10.0	15.4	400
6	06JL-BT-M-T	12.5	17.9	400
7	07JL-BT-M-T	15.0	20.4	400
8	08JL-BT-M-T	17.5	22.9	400

Material and Surface finish, etc.

Contact: Phosphor bronze, tin-plated
Housing: PA 66, UL94V-0, green
Reinforcing pins: Brass, copper-undercoated, tin-plated

Note: This product displays (LF) (SN) on a label.

Header



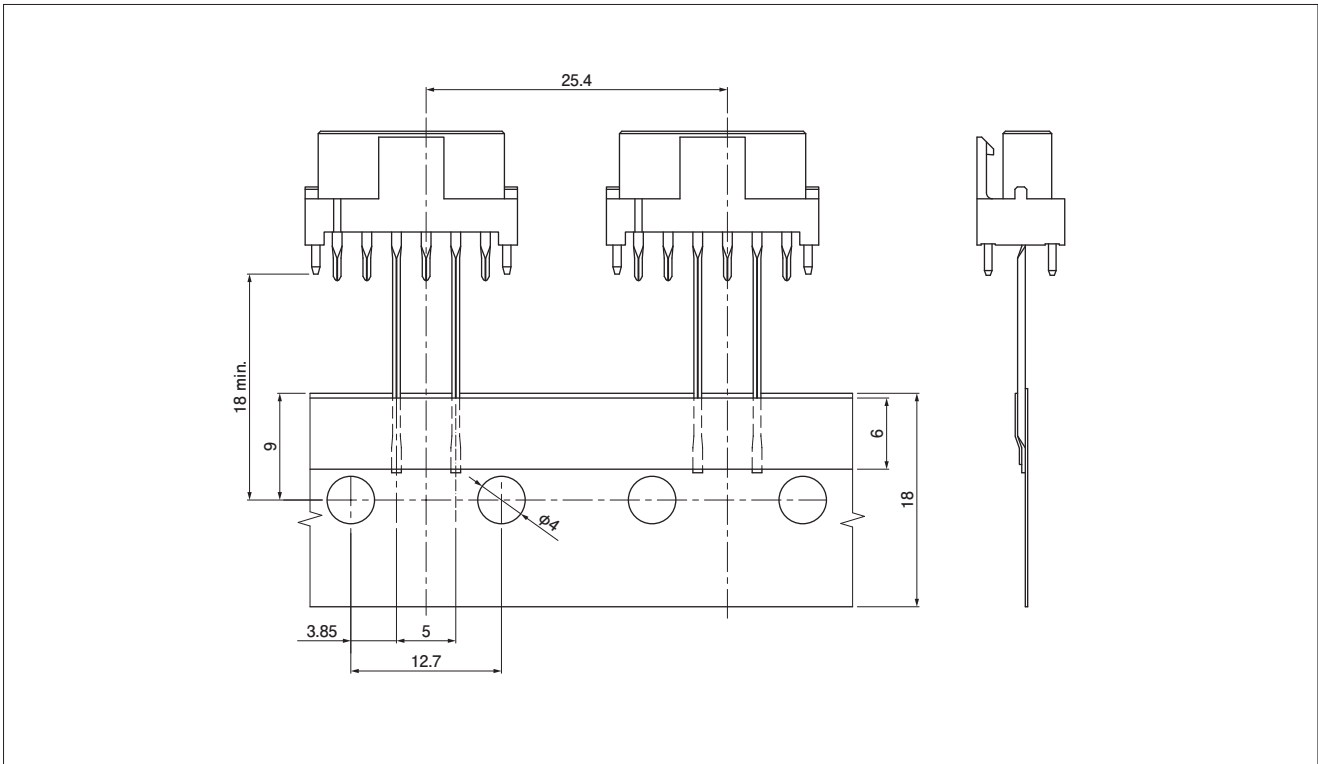
No. of circuits	Model No.		Dimensions (mm)		Q'ty/box
	Secure lock type	Friction lock type	A	B	
3	S3B-JL-R	S3B-JL-F-E	5.0	10.0	250
4	S4B-JL-R	S4B-JL-F-E	7.5	12.5	200
5	S5B-JL-R	S5B-JL-F-E	10.0	15.0	200
6	S6B-JL-R	S6B-JL-F-E	12.5	17.5	200
7	S7B-JL-R	—	15.0	20.0	200
8	S8B-JL-R	S8B-JL-F-E	17.5	22.5	100
9	S9B-JL-R	S9B-JL-F-E	20.0	25.0	100
10	S10B-JL-R	S10B-JL-F-E	22.5	27.5	100
11	S11B-JL-R	S11B-JL-F-E	25.0	30.0	100
12	S12B-JL-R	S12B-JL-F-E	27.5	32.5	100
13	S13B-JL-R	S13B-JL-F-E	30.0	35.0	100
15	S15B-JL-R	S15B-JL-F-E	35.0	40.0	100

Material and Surface finish, etc.

Post: Brass, copper-undercoated, tin-plated
Wafer: PA 66, UL94V-0, red (Secure lock type)
blue (Friction lock type)
Reinforcing pins: Brass, tin-plated

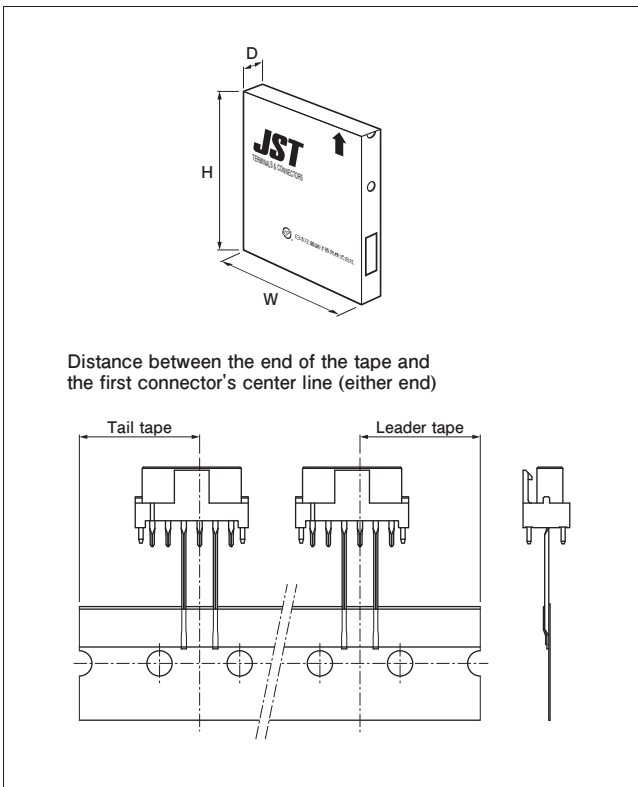
Note: This product displays (LF) (SN) on a label.

Taping Specifications



Note: Conforms to IEC 60286-2 (JIC C 0806-2) "Tape packaging of components with unidirectional leads on continuous tapes".

Packaging specifications



Packaging style	Flat pack (zigzag folded)
Distance between folds	24 index holes per fold (304.8 mm)
Box size	315 (W) × 48 (D) × 285 (H) mm
Distance between the end of the tape and the first connector's center line (either end)	19.05 mm
Quantity per package (5 to 8 circuits)	400 pcs. / box

Note: Products of different packaging specifications are also available. Contact JST for details.