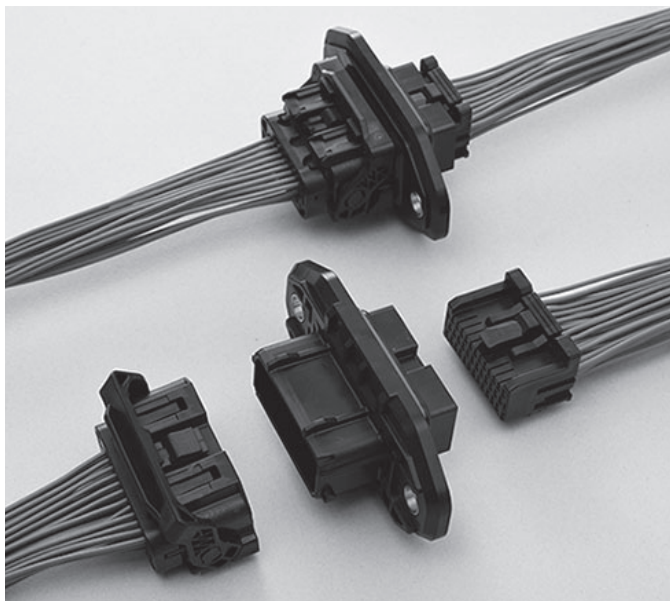


# EVZ2 CONNECTOR

Wire-to-wire/Panel Mount connector

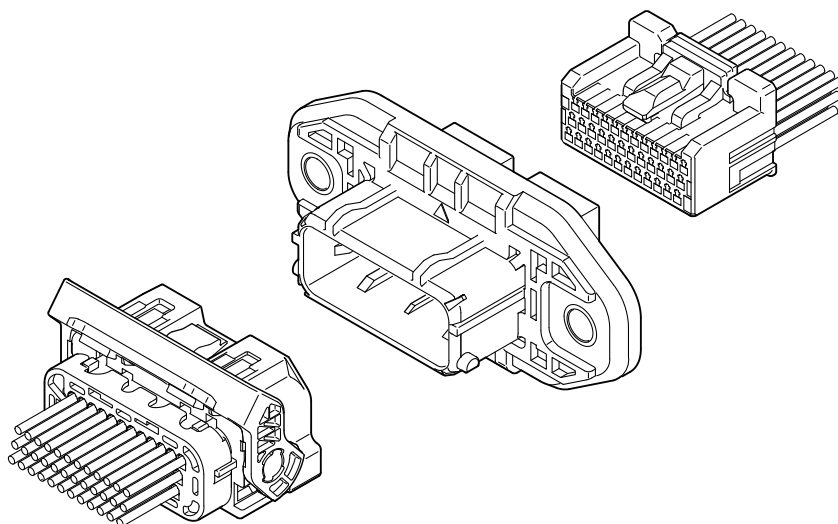


## Features

- **3 pieces structure**  
The case mounted male connector connects inside and outside of the case with harness.
- **Sealed**  
Only attaching male connector to case body, it ensures waterproof performance.  
Double seal structure of surface and shaft seal realizes the strong waterproof property.
- **Variation**  
Lineup of 10, 27 and 36 circuits.  
Terminal plating is selectable from gold-plated or tin-plated.

This connector is wire-to-wire, waterproof panel mount connector.

It is possible to connect inside and outside of the case with harness by mounting male connector to the case.



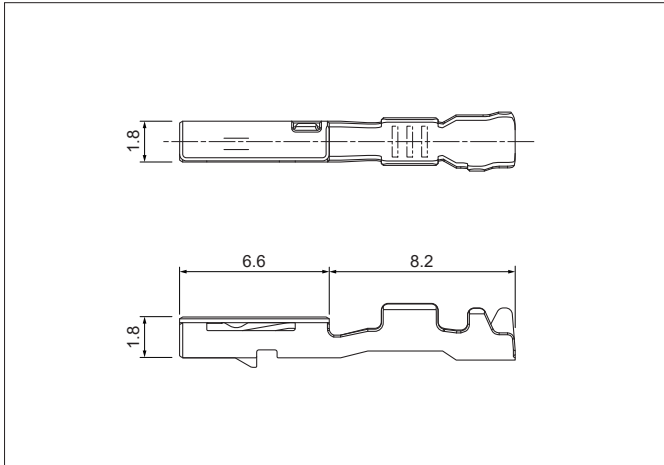
## Specifications

- Current rating: 5 A DC  
(0.5 mm<sup>2</sup>, including temperature rise in applying electrical current when individual energized)
- Withstanding voltage: 1,000 VAC/minute
- Temperature range: -40°C to +125°C  
(including temperature rise in applying electrical current)
- Contact resistance: Initial value/ 10 mΩ max.  
After environmental tests/ 20 mΩ max.
- Insulation resistance: 100 MΩ min.
- Applicable wire: **【Outside waterproof connector】**  
AESSX/AVSS/AVSSH;  
0.5 mm<sup>2</sup> to 0.85 mm<sup>2</sup>  
※36 circuits can only use 0.3 mm<sup>2</sup>~  
**【Inside non-waterproof connector】**  
AESSX/AVSS/AVSSH;  
0.3 mm<sup>2</sup> to 0.5 mm<sup>2</sup>

\* Compliant with ELV/RoHS2.

\* Contact JST for details.

## Female terminal



Model No.	Applicable wire range		Q'ty/reel
	Conductor (mm <sup>2</sup> )	Insulation O.D. (mm)	
<b>SZRO-A021T-M0.64</b>	0.3 to 0.5	1.4 to 1.7	7,500
<b>SZRO-A031T-M0.64</b>	0.75 to 0.85	1.8 to 1.9	7,000

### Material and Finish

Copper alloy, tin-plated (reflow treatment)

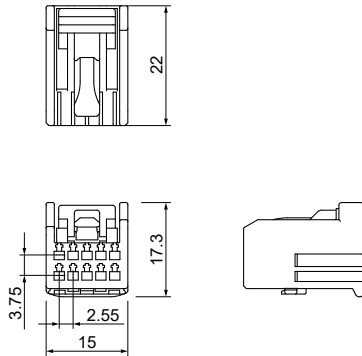
Model No.	Applicable wire range		Q'ty/reel
	Conductor (mm <sup>2</sup> )	Insulation O.D. (mm)	
<b>SWPH-A021GF-M0.64</b>	0.3 to 0.5	1.4 to 1.7	10,000

### Material and Finish

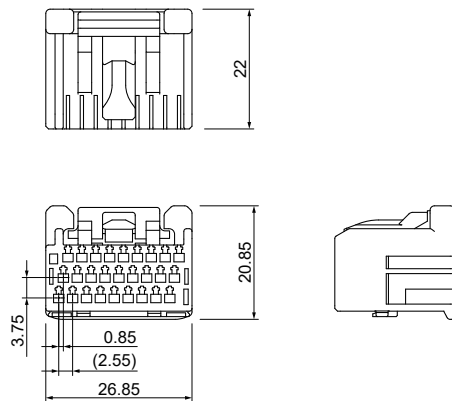
Copper alloy, Contact area; Selective gold-plated  
Barrel area; tin-plated

## Female connector (Non-waterproof)

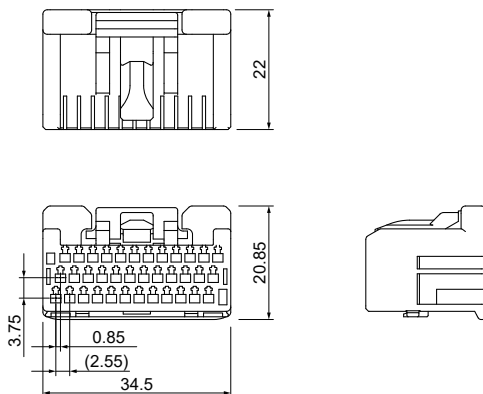
### ●10 circuits



### ●27 circuits



### ●36 circuits



Circuits	Model No.	Key Code	Housing Color	Q'ty/box
10	<b>10EVZ-B-K-2A</b>	A	Black	2,673
	<b>10EVZ-B-H-2B</b>	B	Gray	
27	<b>27EVZ-B-K-2A</b>	A	Black	1,350
36	<b>36EVZ-B-K-2A</b>	A	Black	990

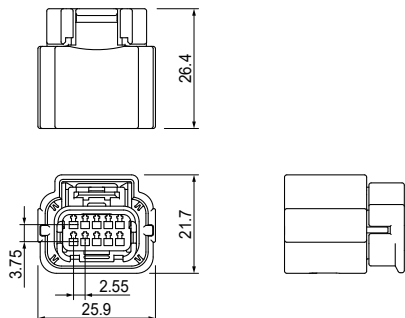
### Material and Finish

Housing: Glass-filled PBT

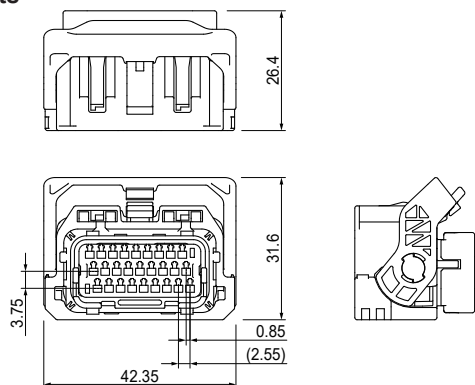
# EVZ2 CONNECTOR

## Female connector (Waterproof)

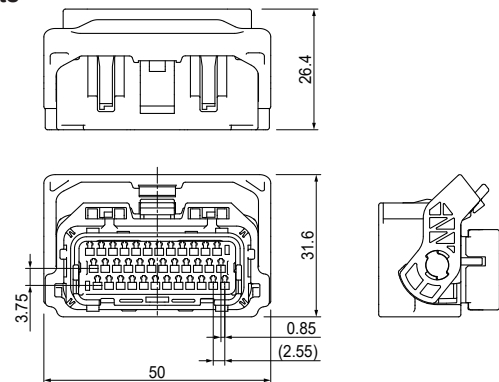
### ●10 circuits



### ●27 circuits



### ●36 circuits



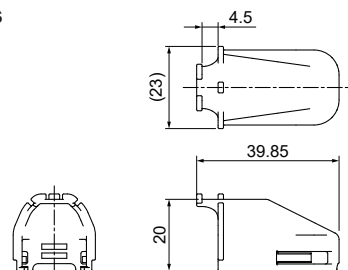
Circuits	Model No.	Key Code	Applicable wire range (mm <sup>2</sup> )	Housing Color	Wire seal Color	Q'ty/box
10	<b>10EVZ-B-K-1A</b>	A	0.5 to 0.85	Black	Brown	1,080
	<b>10EVZ-B-H-1B</b>	B		Gray		
27	<b>27ZRO-B-1A</b>	A	0.5 to 0.85	Black	Brown	576
36	<b>36ZRO-B-1A</b>	A	0.5 to 0.85	Black	Brown	512
	<b>36ZRO-B-2A</b>		0.3 to 0.85		Red	512

#### Material and Finish

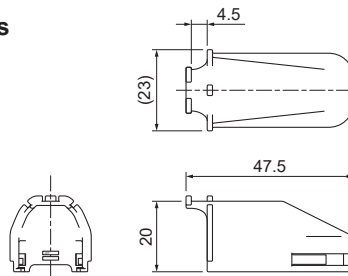
Housing: Glass-filled PBT  
Seal: Silicone  
Lever: POM

## Harness cover

### ●27circuits



### ●36 circuits

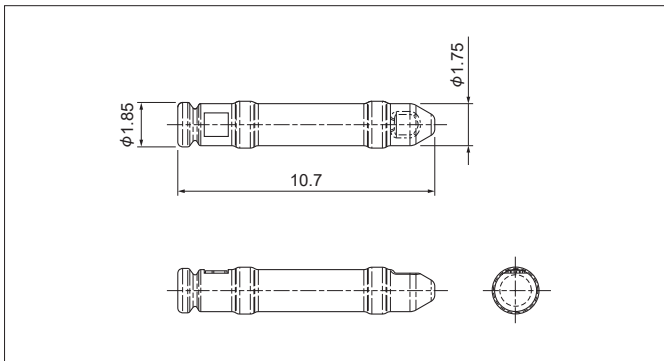


Circuits	Model No.	Housing Color	Q'ty/box
10	No Option		
27	<b>ZROHC-27H-K-1</b>	Black	1,200
36	<b>ZROHC-36H-K-1</b>	Black	900

#### Material and Finish

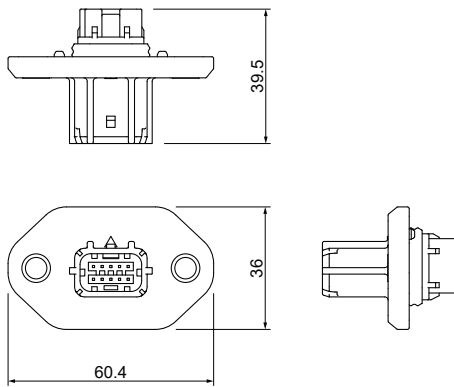
PBT

## Dummy plug

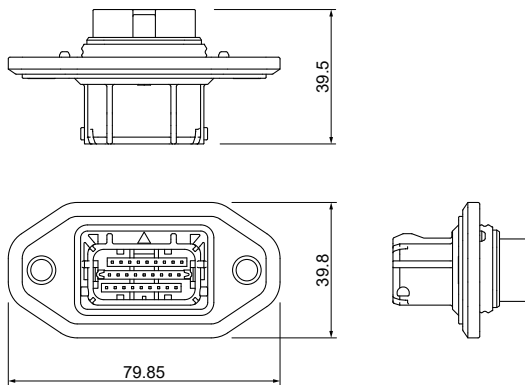


## Male connector

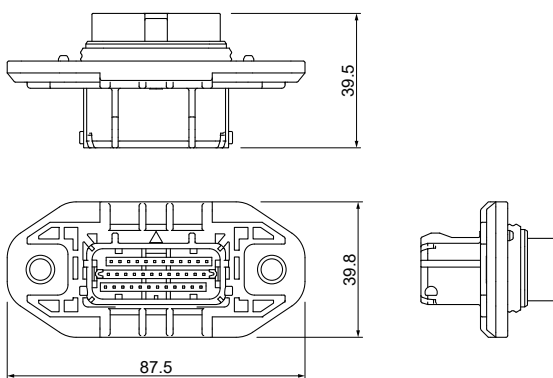
### ● 10 circuits



### ● 27 circuits



### ● 36 circuits



Model No.	Q'ty/box
<b>WPHDP-H-1A-H</b>	7,000
Material and Finish	
PBT, Gray	

Plating	Circuits	Model No.	Key Code	Housing Color	Q'ty/box
Sn	10	<b>BU10B-EVZ2K-2A1</b>	A	Black	100
		<b>BU10B-EVZ2H-2B1</b>	B	Gray	100
	27	<b>BU27B-EVZ2K-2A1</b>	A	Black	75
Au	10	<b>BU36B-EVZ2K-2A1</b>	A	Black	120
		<b>BU10B-EVZ2K-2A3</b>	A	Black	100
	<b>BU10B-EVZ2H-2B3</b>	B	Gray	100	
	27	<b>BU27B-EVZ2K-2A3</b>	A	Black	75
	36	<b>BU36B-EVZ2K-2A3</b>	A	Black	120

### Material and Finish

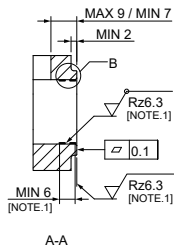
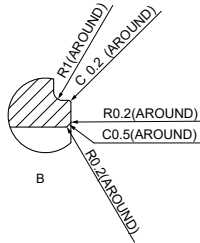
Housing: Glass-filled PBT  
 Seal: Silicone  
 Bush: Brass  
 Male terminal: Brass  
 Sn: Tin-plated (reflow treatment)  
 Au: Selective gold-plated

# EVZ2 CONNECTOR

## Assembly layout

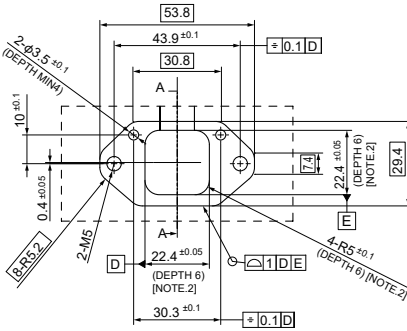
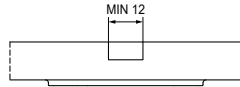
### Recommended shape of the panel mounting part

#### ●10 circuits

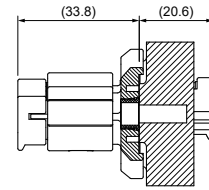
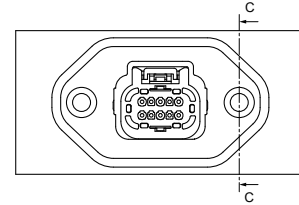


#### NOTE.

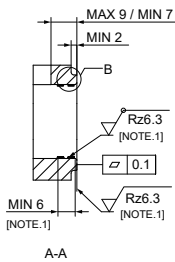
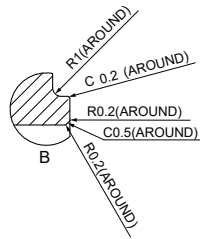
- 1.The designated place is the waterproof surface.  
Keep the surface roughness lower than Rz6.3.
- 2.The designated dimensions and tolerances are applied to the waterproof range of 6mm in depth.
- 3.Recommended material of the chassis is equivalent to aluminum material (ADC12).



### Assemble state

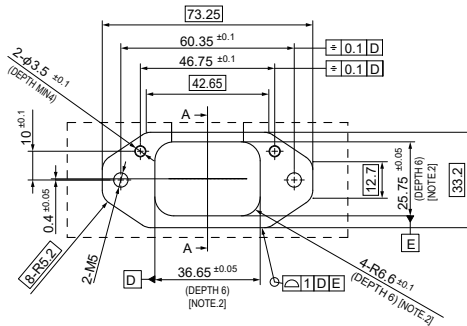
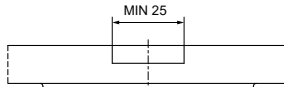


#### ●27 circuits

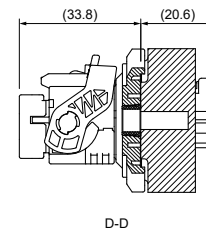
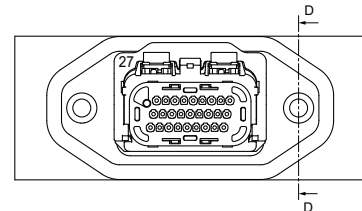


#### NOTE.

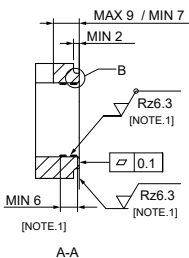
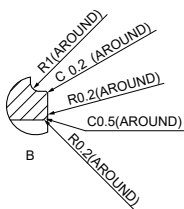
- 1.The designated place is the waterproof surface.  
Keep the surface roughness lower than Rz6.3.
- 2.The designated dimensions and tolerances are applied to the waterproof range of 6mm in depth.
- 3.Recommended material of the chassis is equivalent to aluminum material (ADC12).



### Assemble state

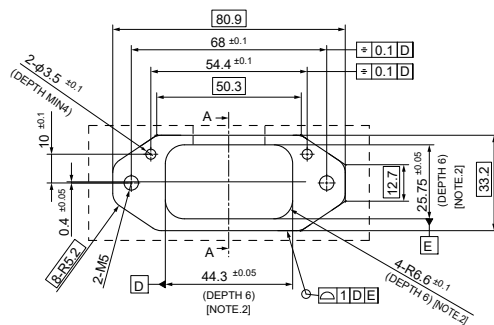
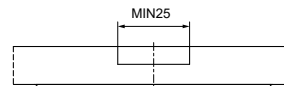


#### ●36 circuits

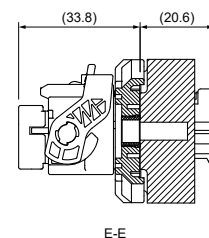
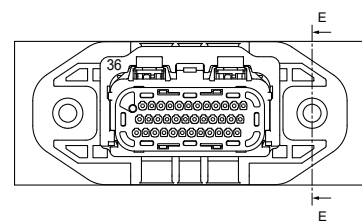


#### NOTE.

- 1.The designated place is the waterproof surface.  
Keep the surface roughness lower than Rz6.3.
- 2.The designated dimensions and tolerances are applied to the waterproof range of 6mm in depth.
- 3.Recommended material of the chassis is equivalent to aluminum material (ADC12).



### Assemble state



## Crimping machine, Applicator

Strip terminal	Crimping machine	Crimp applicator MKS-L	
		Dies	Crimp applicator with dies
<b>SZRO-A021T-M0.64</b>	AP-K2N	MK/SWPH-A021-064	APLMK SWPH-A021-064
<b>SWPH-A021GF-M0.64</b>			
<b>SZRO-A031T-M0.64</b>		MK/SZRO-A031-064	APLMK SZRO-A031-064

Note: When crimping operation is conducted using an applicator and die set other than the above, JST cannot guarantee the performance of the terminal.