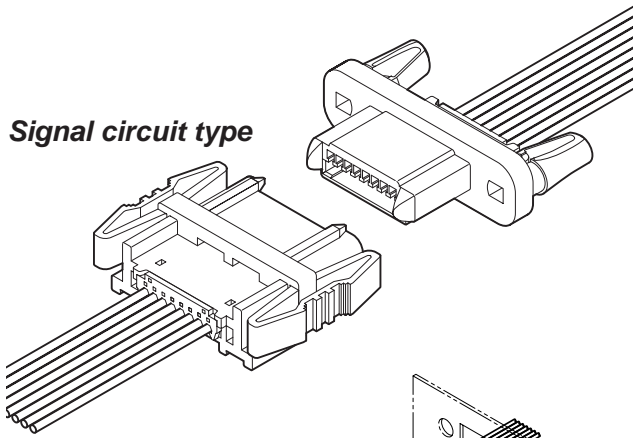


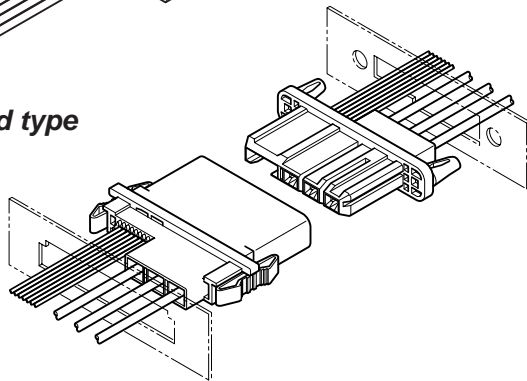
# RIZ CONNECTOR

**Disconnectable Crimp style Wire-to-wire connectors**

**Signal circuit type**



**Hybrid type**



**In unit connection, this RIZ connector is a hybrid type single row drawer connector with combined signal and power supply circuits, absorbs misalignment between units, and excels durability.**

- Space saving
- Panel locking device
- High Durability
- Hybrid type

## Specifications

- Current rating: Signal circuit 1.0 A AC, DC (AWG #26)  
Power supply circuit 15 A AC, DC (AWG #14)
- Voltage rating: Signal circuit 50 V AC, DC  
Power supply circuit 250 V AC, DC
- Temperature range: -25°C to +85°C  
(including temperature rise in applying electrical current)
- Contact resistance:
  - Signal circuit Initial value/ 40 mΩ max.  
After environmental testing/ 60 mΩ max.
  - Power supply circuit Initial value/ 10m Ω max.  
After environmental tests/ 20 mΩ max.
- Insulation resistance: 500 MΩ min.
- Withstanding voltage: Signal circuit 500 VAC  
Power supply circuit 1,500 VAC
- Applicable wire: Power supply circuit Conductor AWG #24 to #14  
Insulation O.D. 1.4 to 3.6 mm  
Signal circuit Applicable receptacle CZ, CZH

\* In using the products, refer to "Handling Precaution for Terminal and Connector" described on our website (Technical documents of Product information page).

\* Contact JST for details.

\* Compliant with RoHS.

## Standards

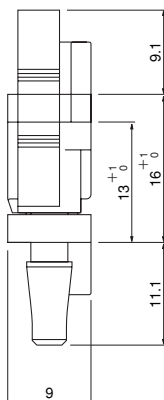
Recognized E60389

Certified LR20812

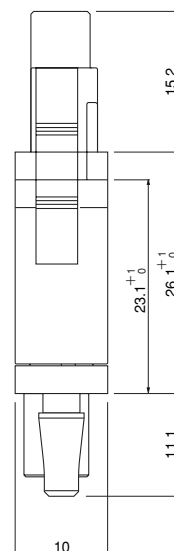
R50157902

## Assembly layout

**Signal circuit type**



**Hybrid type**



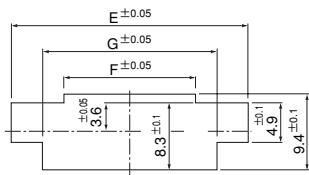
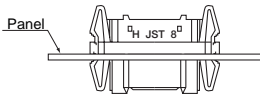
## Panel layout

### Plug

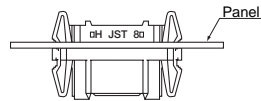
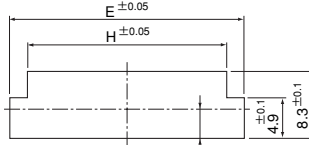
#### Signal circuit type

Panel thickness: 1.2 mm, 1.6 mm, 2.0 mm

When mounting from mating side



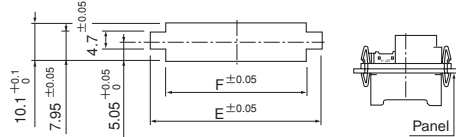
When mounting from socket side



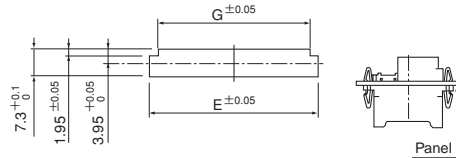
### Hybrid type

Panel thickness: 1.2 mm, 1.6 mm, 2.0 mm

When mounting from mating side



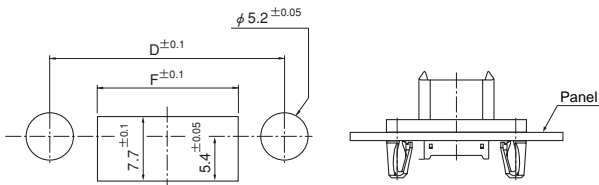
When mounting from socket side



### Receptacle

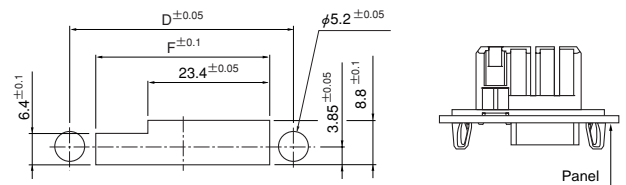
#### Signal circuit type

Panel thickness: 2.0 mm



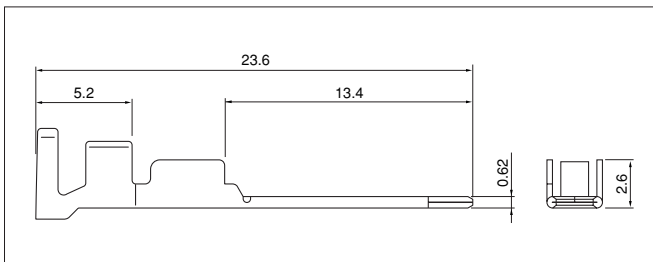
### Hybrid type

Panel thickness: 2.0 mm



- Note: 1. Punch holes in the panel according to the figures shown above. Burrs must be removed.  
 2. The strength of the panel must be considered when punching two or more holes.  
 3. The connector must be inserted from the same side as the hole is punched.

## Plug contact for power supply circuit



Model No.	Applicable wire		Insulation O.D. (mm)	Q'ty/reel
	mm <sup>2</sup>	AWG #		
SRWM-01GG-S0.6	0.2 ~0.5	24~20	1.4 ~1.9	4,000
SRWM-21GG-S0.6	0.3 ~0.75	22~18	1.55~3.1	-
SRWM-61GG-S0.6	0.75~2.0	18~14	2.0 ~3.6	3,000

### Material and Finish

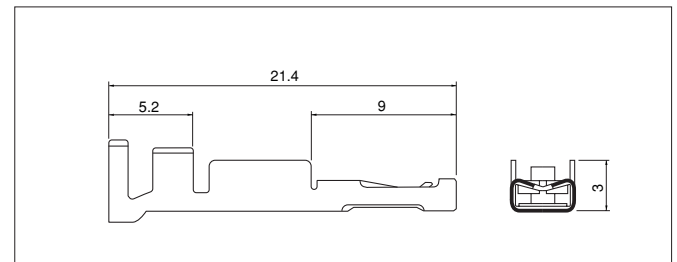
Copper alloy, nickel-undercoated, Contacting part; gold-plated  
 Crimping part; tin-plated (reflow treatment)

**RoHS compliance** This product displays (LF)(SN) on a label.

Contact	Crimping machine	Applicator		
		Crimp applicator	Dies	Crimp applicator with dies
SRWM-01GG-S0.6	AP-K2N	MKS-L	MK/SRPF/M-01-06	APLMK SRPF/M01-06
		-	-	-
SRWM-21GG-S0.6		MKS-L	MK/SRPF/M-21-06	APLMK SRPF/M21-06
		-	-	-
SRWM-61GG-S0.6	MKS-L	MK/SRPF/M-61-06	APLMK SRPF/M61-06	
	-	-	-	

Note: Contact JST for fully automatic crimping applicator.

## Receptacle contact for power supply circuit



Model No.	Applicable wire		Insulation O.D. (mm)	Q'ty/reel
	mm <sup>2</sup>	AWG #		
SRWF-01GG-M0.6	0.2 ~0.5	24~20	1.4 ~1.9	4,000
SRWF-21GG-M0.6	0.3 ~0.75	22~18	1.55~3.1	3,000
SRWF-61GG-M0.6	0.75~2.0	18~14	2.0 ~3.6	3,000

### Material and Finish

Copper alloy, nickel-undercoated, Contacting part; gold-plated  
 Crimping part; tin-plated (reflow treatment)

**RoHS compliance** This product displays (LF)(SN) on a label.

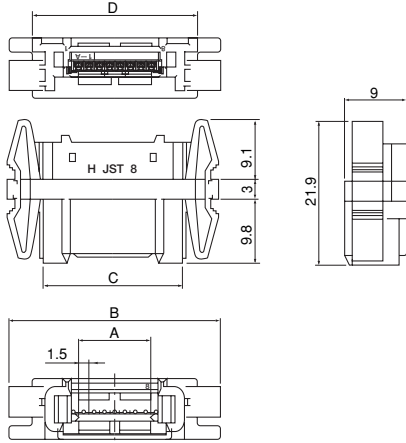
Contact	Crimping machine	Applicator		
		Crimp applicator	Dies	Crimp applicator with dies
SRWF-01GG-M0.6	AP-K2N	MKS-L	MK/SRPF/M-01-06	APLMK SRPF/M01-06
		-	-	-
SRWF-21GG-M0.6		MKS-L	MK/SRPF/M-21-06	APLMK SRPF/M21-06
		-	-	-
SRWF-61GG-M0.6	MKS-L	MK/SRPF/M-61-06	APLMK SRPF/M61-06	
	-	-	-	

Note: Contact JST for fully automatic crimping applicator.

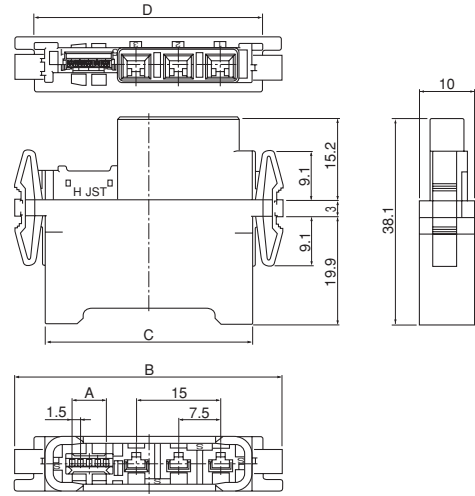
# RIZ CONNECTOR

## Plug

### Signal circuit type



### Hybrid type (Connector with integrated signal and power)



No. of circuits	Model No.	Dimensions (mm)										Q'ty/box
		A	B	C	D	E		F	G	H		
4	04P-RIZ-K2GG-RL	4.5	24.7	14.1	17.8	22.1	22.3	9.4	14.5	18.2	80	
6	06P-RIZ-K2GG-RL	7.5	27.7	17.1	20.8	25.1	25.3	12.4	17.5	21.2	80	
8	08P-RIZ-K2GG-RL	10.5	30.7	20.1	23.8	28.1	28.3	15.4	20.5	24.2	80	
10	10P-RIZ-K2GG-RL	13.5	33.7	23.1	26.8	31.1	31.3	18.4	23.5	27.2	80	
14	14P-RIZ-K2GG-RL	19.5	39.7	29.1	32.8	37.1	37.3	24.4	29.5	33.2	80	

No. of circuits	Model No.	Dimensions (mm)										Q'ty/box
		A	B	C	D	E		F	G			
3	7 07P-RIZ-K2GG-S3RL	9.0	50.3	39.7	43.4	47.7	47.9	39.9	43.6	60		
	8 08P-RIZ-K2GG-S3RL	10.5	51.8	41.2	44.9	49.2	49.4	41.4	45.1	80		
	13 13P-RIZ-K2GG-S3RL	18.0	59.3	48.7	52.4	56.7	56.9	48.9	52.6	45		

#### Material and Finish

Contact: Copper alloy, nickel-undercoated, selective gold-plated, tin-plated (reflow-treatment)  
Housing: PBT, UL94V-0, black

#### Material and Finish

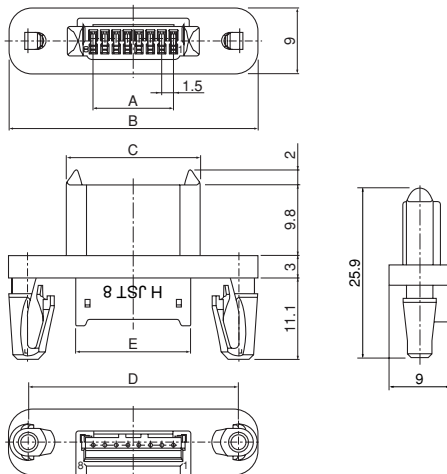
Contact: Copper alloy, nickel-undercoated, selective gold-plated, tin-plated (reflow treatment)  
Housing: PBT, UL94V-0, black

**RoHS compliance** This product displays (LF)(SN) on a label.

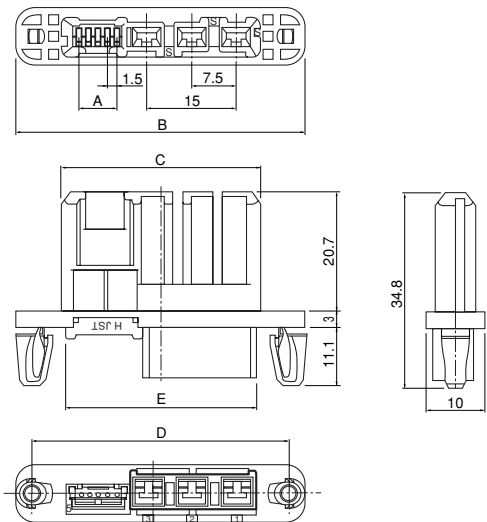
**RoHS compliance** This product displays (LF)(SN) on a label.

## Receptacle

### Signal circuit type



### Hybrid type (Connector with integrated signal and power)



No. of circuits	Model No.	Dimensions (mm)							Q'ty/box
		A	B	C	D	E	F		
4	04R-RIZ-K4GG-FL	4.5	26.5	11.3	21.6	9.0	10.8	80	
6	06R-RIZ-K4GG-FL	7.5	29.5	14.3	24.6	12.0	13.8	80	
8	08R-RIZ-K4GG-FL	10.5	32.5	17.3	27.6	15.0	16.8	80	
10	10R-RIZ-K4GG-FL	13.5	35.5	20.3	30.6	18.0	19.8	80	
14	14R-RIZ-K4GG-FL	19.5	41.5	26.3	36.6	24.0	25.8	60	

No. of circuits	Model No.	Dimensions (mm)							Q'ty/box
		A	B	C	D	E	F		
3	7 07R-RIZ-K4GG-SQ3FL	9.0	52.6	36.5	47.7	35.1	36.9	75	
	8 08R-RIZ-K4GG-SQ3FL	10.5	54.1	38.0	49.2	36.6	38.4	75	
	13 13R-RIZ-K4GG-SQ3FL	18.0	61.6	45.5	56.7	44.1	45.9	60	

#### Material and Finish

Contact: Copper alloy, nickel-undercoated, selective gold-plated, tin-plated (reflow-treatment)  
Housing: PBT, UL94V-0, black

#### Material and Finish

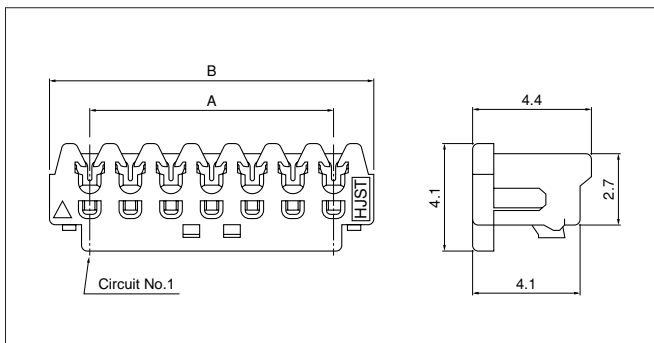
Contact: Copper alloy, nickel-undercoated, selective gold-plated, tin-plated (reflow-treatment)  
Housing: PBT, UL94V-0, black

**RoHS compliance** This product displays (LF)(SN) on a label.

**RoHS compliance** This product displays (LF)(SN) on a label.

# RIZ CONNECTOR

## CZ connector socket



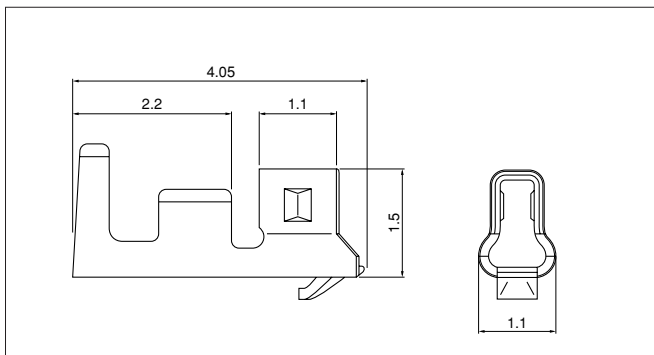
No. of circuits	Model No.		Dimensions (mm)		Q'ty/box
	Gray	Yellow	A	B	
4	<b>04CZ-6H</b>	<b>04CZ-6Y</b>	4.5	7.5	2,000
6	<b>06CZ-6H</b>	<b>06CZ-6Y</b>	7.5	10.5	2,000
7	<b>07CZ-6H</b>	<b>07CZ-6Y</b>	9.0	12.0	2,000
8	<b>08CZ-6H</b>	<b>08CZ-6Y</b>	10.5	13.5	2,000
10	<b>10CZ-6H</b>	<b>10CZ-6Y</b>	13.5	16.5	1,000
13	<b>13CZ-6H</b>	<b>13CZ-6Y</b>	18.0	21.0	1,000
14	<b>14CZ-6H</b>	<b>14CZ-6Y</b>	19.5	22.5	1,000

### Material and Finish

Contact: Copper alloy, tin-plated (reflow treatment)  
Housing: Glass-filled PA 66, UL94V-0

**RoHS compliance**

## CZH connector contact



Model No.	Applicable wire		Insulation O.D. (mm)	Q'ty/reel
	mm <sup>2</sup>	AWG #		
<b>SCZH-002T-P0.5</b>	0.08~0.13	28~26	0.8~1.1	13,000

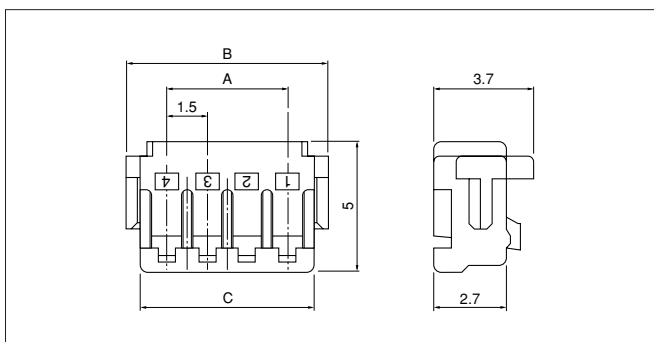
### Material and Finish

Copper alloy, tin-plated (reflow treatment)

**RoHS compliance**

Contact	Crimping machine	Applicator		
		Crimp applicator	Dies	Crimp applicator with dies
<b>SCZH-002T-P0.5</b>	AP-K2N	MKS-L	MK/SCZH-002-05	APLMK SCZH002-05
		—	—	—

## CZH connector housing



No. of circuits	Model No.	Dimensions (mm)			Q'ty/box
		A	B	C	
4	<b>CZHR-04V-S</b>	4.5	7.5	6.5	1,000
6	<b>CZHR-06V-S</b>	7.5	10.5	9.5	1,000
7	<b>CZHR-07V-S</b>	9.0	12.0	11.0	1,000
8	<b>CZHR-08V-S</b>	10.5	13.5	12.5	1,000
10	<b>CZHR-10V-S</b>	13.5	16.5	15.5	1,000
13	<b>CZHR-13V-S</b>	18.0	21.0	20.0	1,000
14	<b>CZHR-14V-S</b>	19.5	22.5	21.5	1,000

### Material

PBT, UL94V-0, natural (white)

**RoHS compliance**