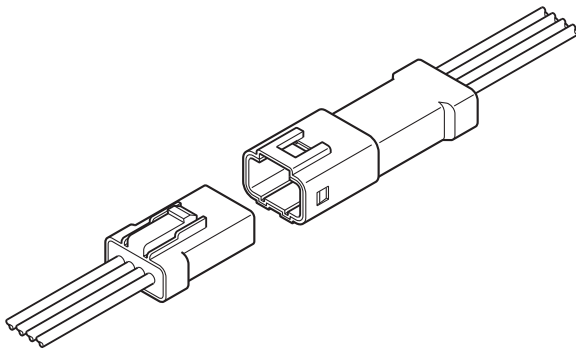


JWPF CONNECTOR

2.0 mm/Wire-to-Wire connectors (Waterproof type)



This JWPF connector can be used for the place of which especially waterproof is required.

This is wire-to-wire connector and has water ingress protection with an IPX7 rating per IEC 60529 (grade 7 per JIS C 0920).

- Waterproof performance
- Pre-installed seal ring
- A method of plugging by seal rubber plate in bulk
- Double-spring construction
- Housing lance
- Inner lock mechanism

■ Standards

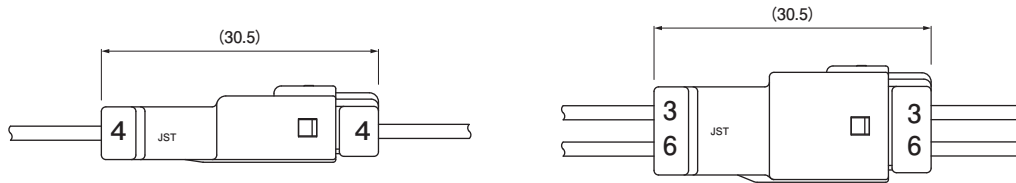
 : Recognized E60389

 : R50326661

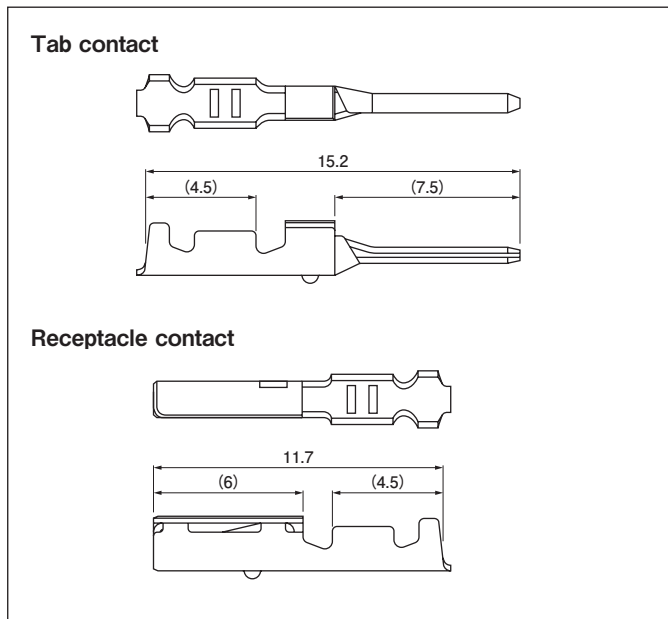
■ Specifications

- Current rating: 3 A AC/DC (AWG #22)
 - Voltage rating: 100 V AC/DC
 - Temperature range: -55°C to +85°C
(including temperature rise in applying electrical current)
 - Contact resistance:
 - Initial value/ 10 mΩ max.
 - After environmental tests/ 15 mΩ max.
 - Insulation resistance: 1,000 MΩ min.
 - Withstanding voltage:
 - There shall be no breakdown or flashover while applying 1,000 VAC for one minute.
 - Applicable wire range:
 - Conductor size/ AWG #26 to AWG #22
0.13 mm² to 0.33 mm²
 - Insulation O.D./ φ 1.4 mm to φ 1.7 mm
 - Water ingress protection with an IPX7 rating per IEC 60529 (grade 7 per JIS C 0920)
- * In using the products, refer to "Handling Precaution for Terminals and Connectors" described on our website (Technical documents of Product information page).
- * Does not comply with Japan Electrical Appliance and Material Safety Law.
- * RoHS2 compliance
- * Dimensional unit : mm
- * Contact JST for details.

Assembly layout



Contact



Model No.		Applicable wire		Insulation O.D. (mm)	Qty/reel
Tab contact	Receptacle contact	mm ²	AWG #		
SWPT-001T-P025	SWPR-001T-P025	0.13 to 0.33	26 to 22	1.4 to 1.7	8,200

Material and Surface finish, etc.

Tab contact: Phosphor bronze, tin-plated (reflow treatment)
 Receptacle contact: Copper alloy, tin-plated (reflow treatment)

RoHS2 compliance

Note: Contact JST for brass products.

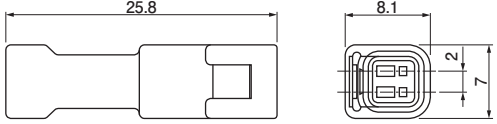
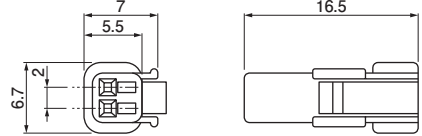
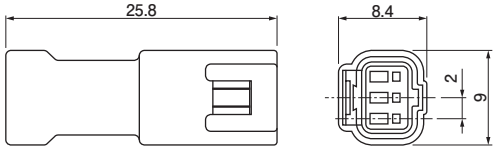
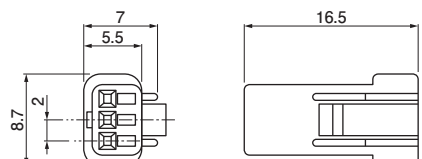
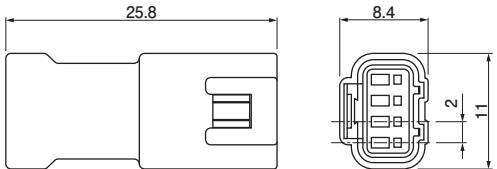
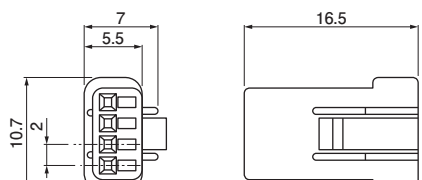
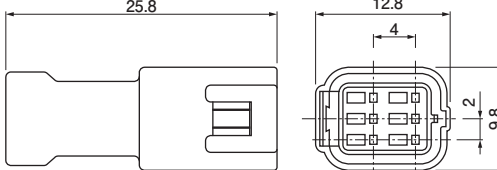
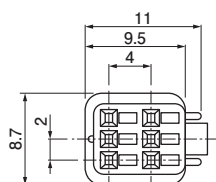
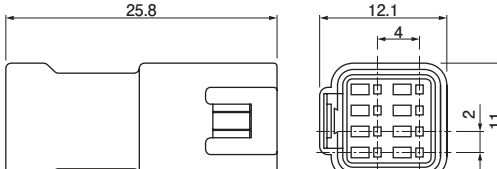
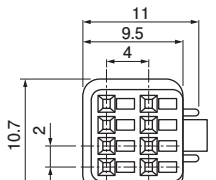
Contact	Crimping machine	Applicator	
		Crimp applicator	Crimp applicator with dies
SWPT-001T-P025 SWPR-001T-P025	AP-K2N	MKS-L	APLMK SWPR/T001-025

Note: Contact JST for fully automatic crimping applicator.

JWPF CONNECTOR

Housing

Material: PBT, UL94V-0, natural (white)

No. of circuits	Tab housing (for Tab contact)		Receptacle housing (for Receptacle contact)			
2	02T-JWPF-VSLE-S		Q'ty/ bag	02R-JWPF-VSLE-S		Q'ty/ bag
		1,000		1,000		
3	03T-JWPF-VSLE-S		Q'ty/ bag	03R-JWPF-VSLE-S		Q'ty/ bag
		1,000		1,000		
4	04T-JWPF-VSLE-S		Q'ty/ bag	04R-JWPF-VSLE-S		Q'ty/ bag
		1,000		1,000		
6	06T-JWPF-VSLE-D		Q'ty/ bag	06R-JWPF-VSLE-D		Q'ty/ bag
		1,000		1,000		
8	08T-JWPF-VSLE-D		Q'ty/ bag	08R-JWPF-VSLE-D		Q'ty/ bag
		1,000		1,000		

RoHS2 compliance

- Note: 1. Tab housing comes with seal rubber plate, seal ring and seal ring holder.
 2. Receptacle housing comes with seal rubber plate.