

## Catalog Numbers

Catalog No.	Amperage Rating	Max. Interrupting Rating
<b>1 PHASE, 3 WIRE, 120/240V AC MAX</b>		
WEBM11200B	1200	65,000
WEBM11200BU	1200	100,000
<b>3 PHASE, 4 WIRE, 240V AC MAX</b>		
WEBM31200B	1200	65,000
WEBM31200BU	1200	100,000

## Additional Modules

Connect Modules Using	Catalog Number / Torque
QuickConnect	QC1 (1ph) or QC4 (3ph) 400-440 lb-in (35-36 ft.-lb.) Torque

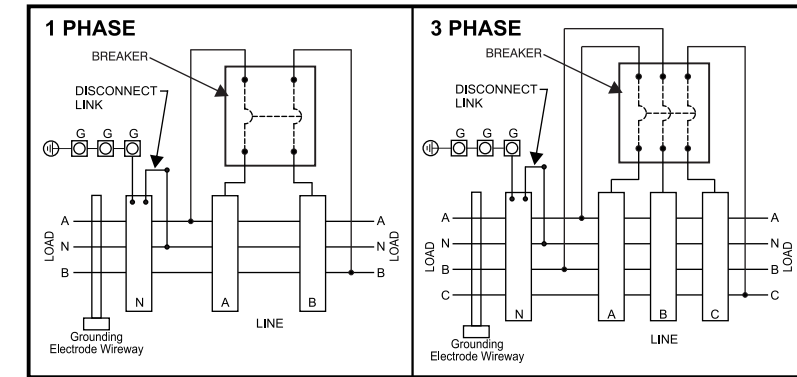
FOR USE WITH:	
Module Description	Siemens Series#
Main Breakers	WB(M), WEB(M), WXB, BFT
Switches	WMP, WS, WES, WXS
Tap/Terminal Boxes	WTB, WET, WT, PU, WTBN, WBT
Pull Boxes	WMMB
Meter Module	(W)MM, (W)MT, (W)ML, (W)MK, (W)MLZ(F), (W)MN
Meter Combinations	WC, WCL, WCT,
Extension Box	WSP, WSPD
Bussed Elbow	BE, WELB

## Lug Kits

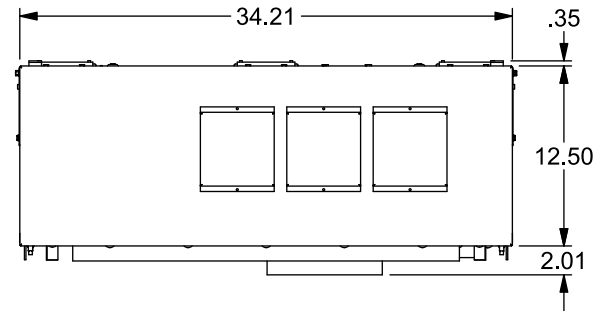
1 Phase: Lugs for Phase and Neutral Connections (not supplied)					
NEMA Lug <sup>①</sup>	MFG	Wire Range	Type	No. Wires per phase	Torque (lb.-in.)
LK13750N2E	Siemens	300-750 kcmil	Mechanical	3	500
LK14500N2E	Siemens	1/0-500 kcmil	Mechanical	4	500 <sup>②</sup>
LK15600N2	Siemens	1/0-600 kcmil	Mechanical	5	500 <sup>②</sup>
2ACL-500	ILSCO	500 kcmil	Compression	4	NA <sup>③</sup>
2ACL-750	ILSCO	750 kcmil	Compression	3	NA <sup>③</sup>
3 Phase: Lugs for Phase and Neutral Connections (not supplied)					
NEMA Lug <sup>①</sup>	MFG	Wire Range	Type	No. Wires per phase	Torque (lb.-in.)
LK33750N2E	Siemens	300-750 kcmil	Mechanical	3	500
LK34500N2E	Siemens	1/0-500 kcmil	Mechanical	4	500 <sup>②</sup>
LK35600N2	Siemens	1/0-600 kcmil	Mechanical	5	500 <sup>②</sup>
2ACL-500	ILSCO	500 kcmil	Compression	4	NA <sup>③</sup>
2ACL-750	ILSCO	750 kcmil	Compression	3	NA <sup>③</sup>

- ① Order one mechanical lug kit for main breaker and neutral conversions. Contact lug manufacturer for compression lug quantities supplied for each kit.
- ② Kit contains more than one lug type.
- ③ See lug manufacturer's instruction sheet supplied with the connector for tool, die, and number of crimps.

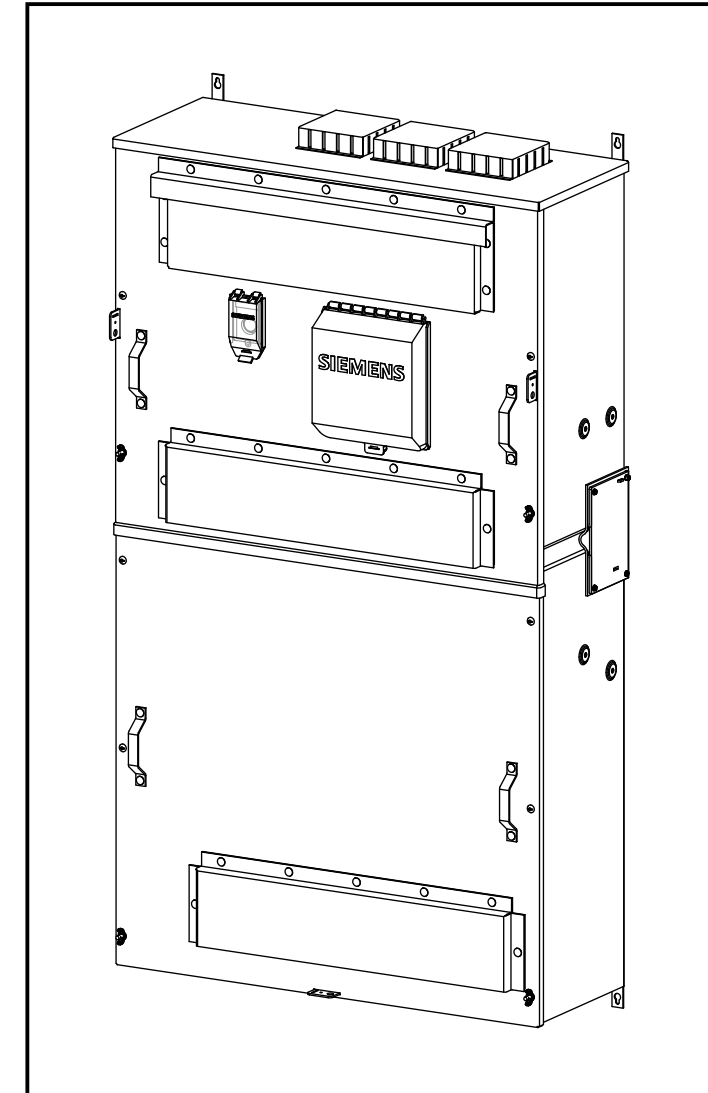
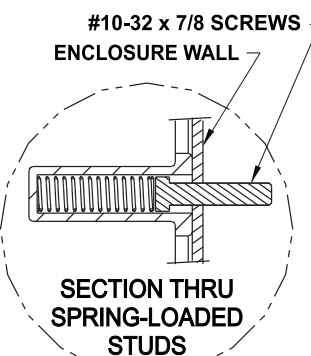
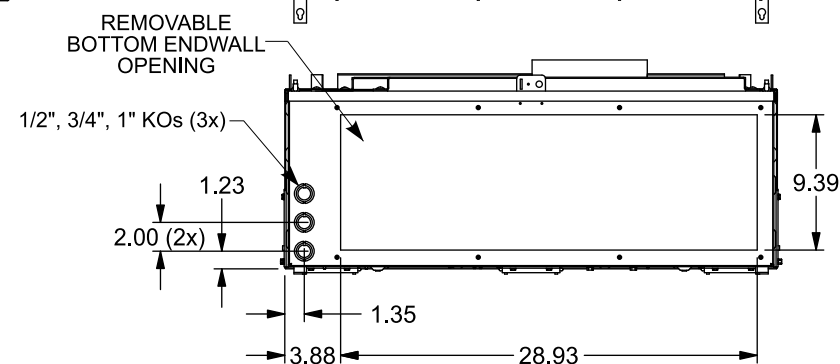
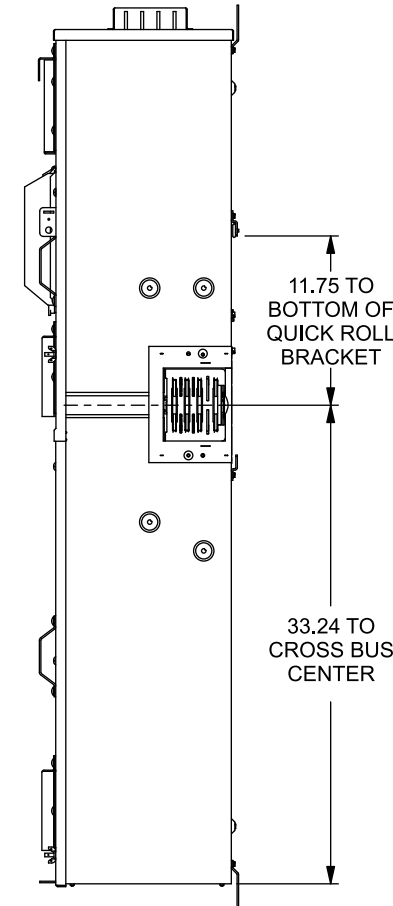
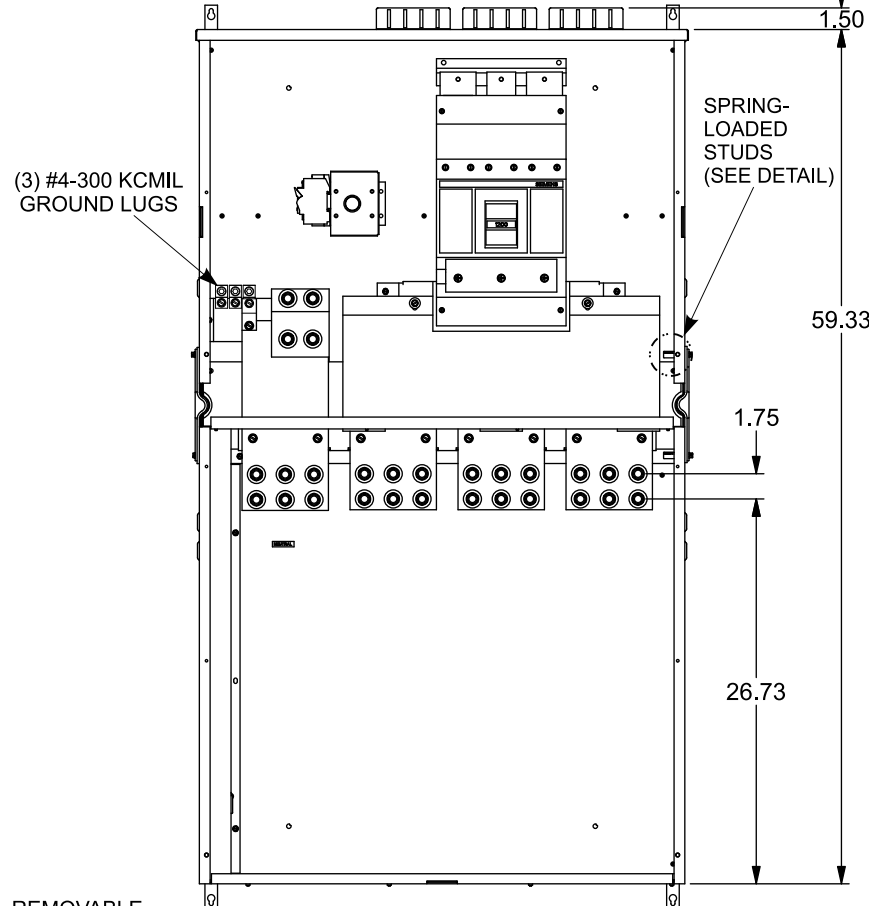
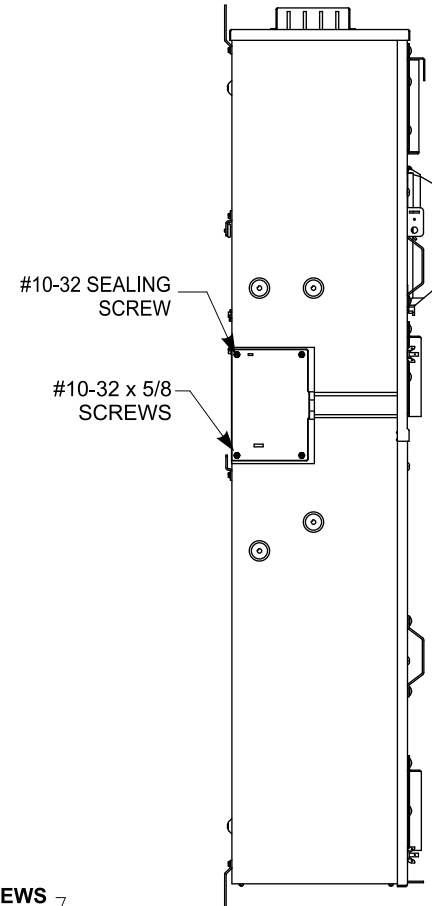
## Schematics



- TYPE 3R OUTDOOR ENCLOSURE
- MAIN BUS RATING: 1200A MAX.
- FOR UNDERGROUND SERVICE ONLY
- ELECTRONIC BREAKER W/MAINTENANCE MODE DAS®
- COMPLIES WITH EUSERC DWG. NOs. 315, 343, and 347



VIEW SHOWN WITHOUT COVERS



**WEBM31200B (3 Phase) SHOWN**

© 2018 Copyright Siemens Industry, Inc.

**SIEMENS**  
Siemens Industry, Inc.

**PowerMod™ Breaker Mains**

Description: **1200A, 1 & 3 Phase, Service Entrance DAS® Breaker Main (EUSERC)**

KAM 2/13/18 DO NOT SCALE DRAWING Dwg No: **1200A\_WEBM\_Brkr\_Main**