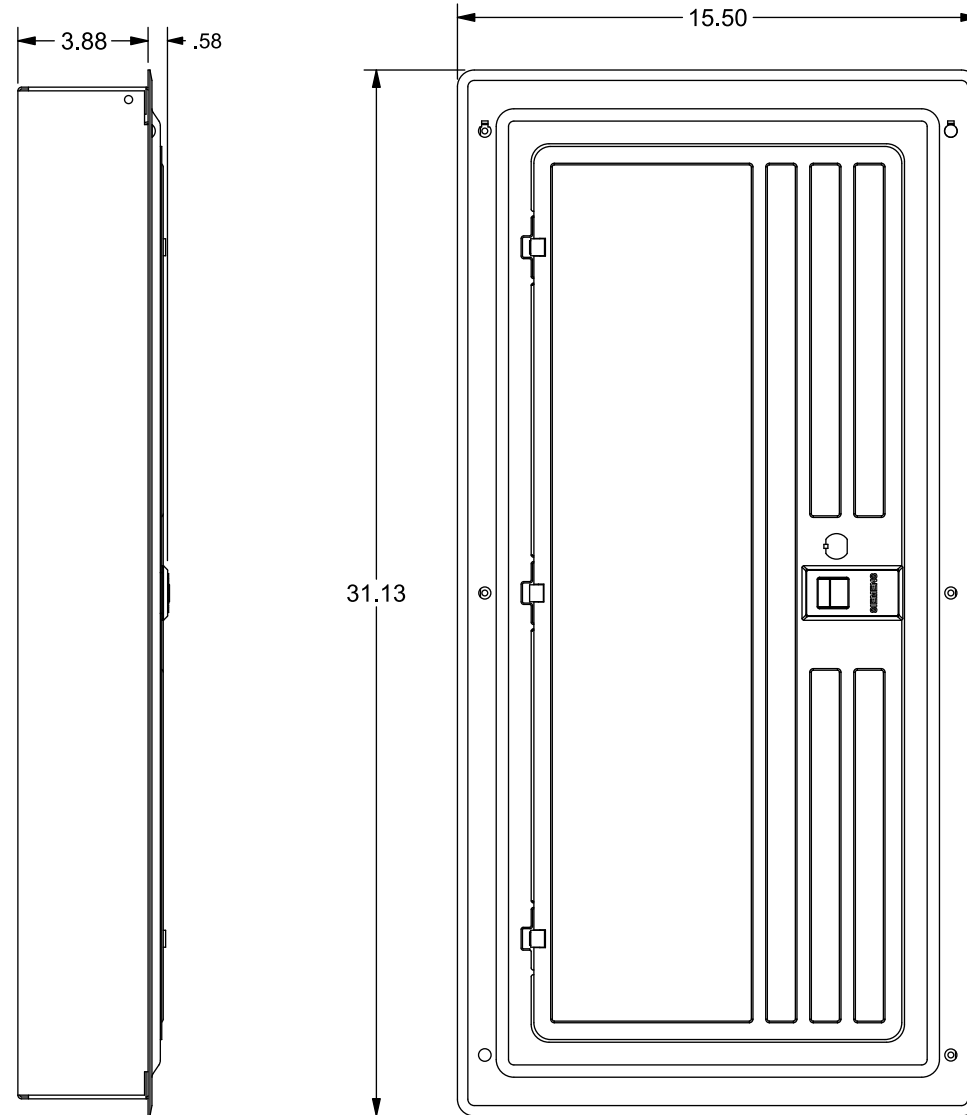


Catalog Numbers, Features and Ratings

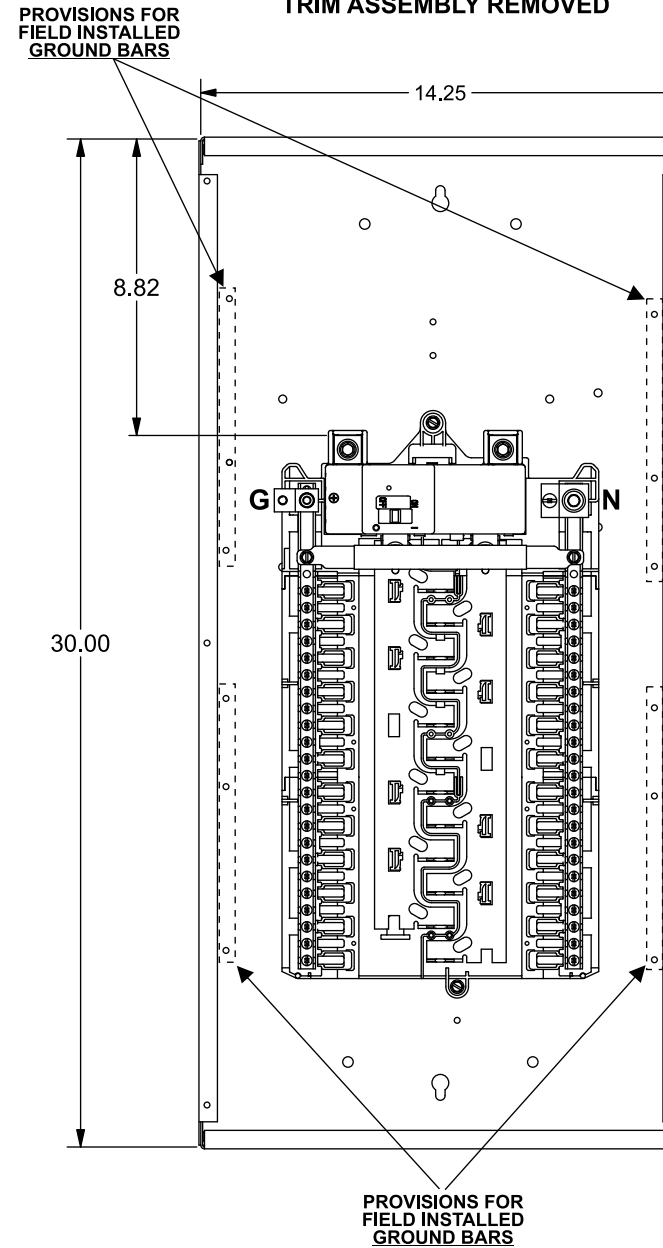
- 1 PHASE, 3 WIRE, 120/240V ~
- 200A, 22K AIC MAIN BREAKER FACTORY INSTALLED
(SEE WIRING DIAGRAM FOR DETAILS)
- MAIN BREAKER ONLY
- INVERTIBLE
- TYPE N1 INDOOR ENCLOSURE
- ANSI 61 GRAY POWDER COATED ENCLOSURE
(SEE CHART FOR TRIM/DOOR COLOR)
- DESIGNED FOR USE WITH WIREGUIDE™ CIRCUIT BREAKERS



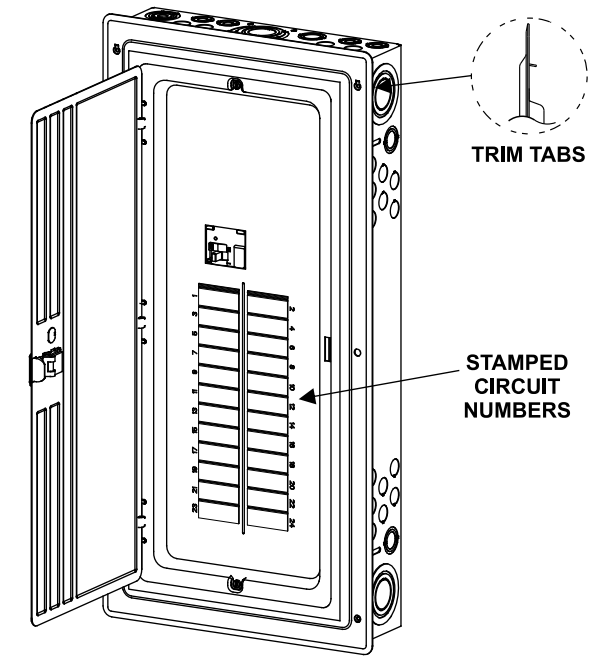
Catalog Number	ENCLOSURE DIMS			Amps Max	Number Spaces	Number Circuits	Bus Bar Material	Bus Bar Plating	Trim Color
	L	W	D						
S2448B1200A	30.00	14.25	3.88	200	24	48	Aluminum	Tin Plated	Gray
S2448B1200AW	30.00	14.25	3.88	200	24	48	Aluminum	Tin Plated	White



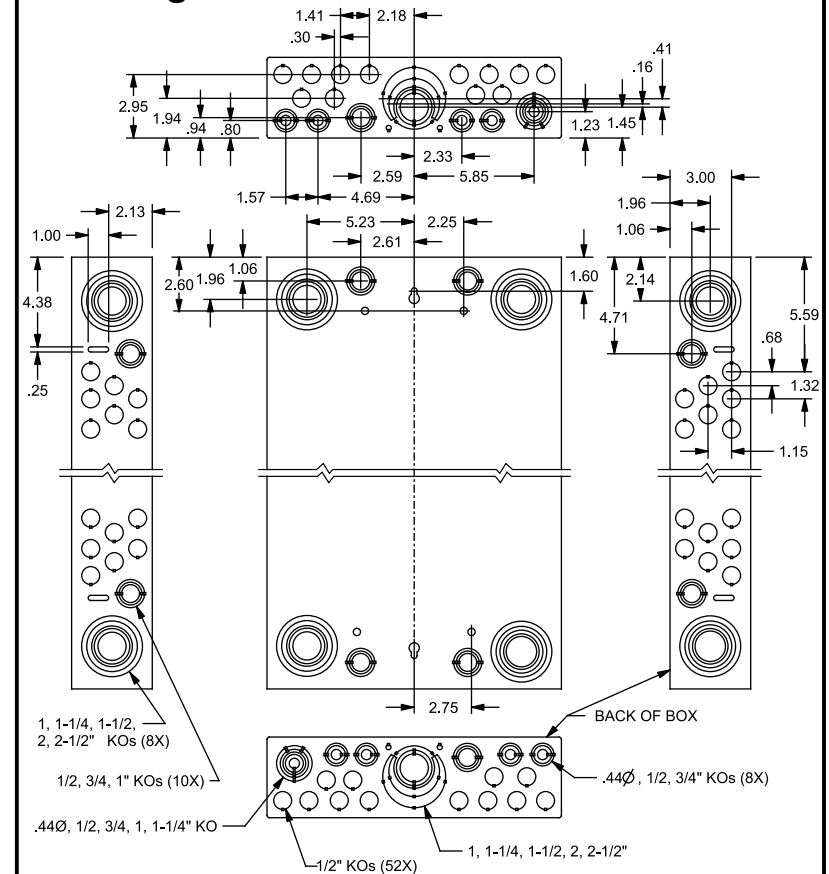
VIEW SHOWN WITH TRIM ASSEMBLY REMOVED



Trim/Door Detail



KO Diagram



TERMINAL WIRE SIZES AND TORQUES

USE COPPER OR ALUMINUM 60°/75°C WIRE
SEE BREAKER MARKINGS FOR WIRE SIZE AND TORQUE REQUIREMENTS.

TERMINALS	WIRE	TORQUE
N	300 kcmil - 4 AWG	275 LB-INS
G	2/0-4 AWG	110 LB-INS
MAIN BREAKER	250 kcmil CU; 300 kcmil AL MAX.	See Breaker
NEUTRAL/GROUND BARS (USE TYPE EC2GB or EC3GB GND BAR KIT ACCESSORY)	10-14 CU/10-12 AL 8 AWG 6-4 AWG	20 LB-INS 25 LB-INS 35 LB-INS
GROUND CONDUCTORS ONLY	(2)or(3) 14 AWG (2) 12-10 AWG	20 LB-INS 20 LB-INS
ECLK1-2 NEUTRAL LUG KIT	2/0-2 AWG	45 LB-INS
ECLK2 NEUTRAL LUG KIT	2/0-4 AWG	135 LB-INS
ECLK3 NEUTRAL LUG KIT	300 kcmil - 1 AWG	340 LB-INS
MAIN BRKR TO BUS CONNECTION (1/4-20 NUT)		45 LB-INS
BONDING SCREW		45 LB-INS

ACCESSORIES

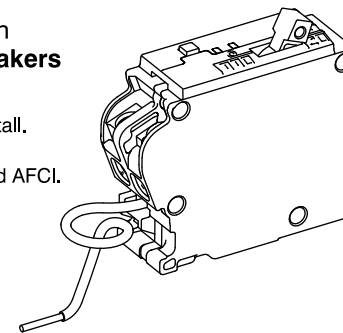
REFER TO WIRING DIAGRAM FOR
CORRECT ACCESSORY USAGE

DESCRIPTION	CAT. NO.
DOOR LOCK	EQQFL2
FILLER PLATE, 1"	QF3
BONDABLE GROUND LUG	ECLKB1
SUBFEED LUG KITS	ECLK2125 ECLK2225
STANDBY PWR INTERLOCK KIT	ECSBPK03

GROUND BAR KITS		
DESCRIPTION		CAT. NO.
TYPE EC2GB KIT, 12 SCREWS		EC2GB12
TYPE EC2GB KIT, 12 SCREWS, 2/0 LUG		EC2GB122
TYPE EC2GB KIT, 15 SCREWS		EC2GB15
TYPE EC2GB KIT, 15 SCREWS, 2/0 LUG		EC2GB152
TYPE EC3GB KIT, 21 SCREWS		EC3GB21
TYPE EC3GB KIT, 21 SCREWS, 2/0 LUG		EC3GB212
TYPE EC3GB KIT, 27 SCREWS		EC3GB27
TYPE EC3GB KIT, 27 SCREWS, 2/0 LUG		EC3GB272
TYPE EC3GB KIT, 30 SCREWS		EC3GB30
TYPE EC3GB KIT, 30 SCREWS, 2/0 LUG		EC3GB302
TYPE EC3GB KIT, 35 SCREWS, 2/0 LUG		EC3GB352

Designed for use with
WireGuide™ Circuit Breakers

Pre-trimmed and ready to install.
Decreased installation time.
Available in Dual Function and AFCI.



© 2017 Copyright Siemens Industry, Inc.

SIEMENS
Siemens Industry, Inc.

WireGuide™ Load Centers

Description: **ES Series, 1 Phase, Indoor,
200A, 24 Position, Main Breaker**

KAM 6/9/17 DO NOT SCALE DRAWING Dwg No: **S2448B1200A-W**