

DATA SHEET

Panelboard mounted, non-interchangeable trip, molded case circuit breakers

Types BL, BLH, HBL, BLF, BLHF, BLE, BLEF, BAF, BAFH, BG 125A Frame

usa.siemens.com

Specifications:

- 120, 120/240, 240Vac max.
- UL Listed, File # E82615
- CSA and NOM Certified
- HACR Rated
- 40C Calibration
- Thermal / Magnetic Trip
- Molded Case Switch, 2 pole 30 - 60 Amperes
- HID Lighting, 1 and 2 pole 15, 20, 30 Amperes
- SWD duty – 1 pole 15 - 20 Amperes

Breaker Type	No. of Poles	Ampere Rating	UL A.I.R. (kA) RMS Symmetrical Amperes		
			Volts AC		
			120	120/240	240
BL	1	10 - 70	10	10	
	2*	15 - 100			10
	2	10 - 125		10	
BLH	3	10 - 100			10
	1	15 - 70	22	22	
	2	15 - 125		22	
HBL	3	15 - 100			22
	1	15 - 70	65	65	
	2	15 - 125		65	
	3	15 - 100			65

* UL listed for use on 3-phase grounded "B" systems



Ground-Fault Protection Class A - 5mA

Breaker Type	No. of Poles	Ampere Rating	UL A.I.R. (kA) RMS Symmetrical Amperes		
			Volts AC		
			120	120/240	240
BLF	1	15 - 30	10	10	-
	2	15 - 60	-	10	-
BLHF	1	15 - 30	22	22	-
	2	15 - 60	-	22	-

Ground-Fault Protection 30mA

BLE	1	15 - 30	10	10	-
	2	15 - 60	-	10	-
BLEH	1	15 - 30	22	22	-
	2	15 - 60	-	22	-

Arc-Fault Circuit Interrupter (AFCI)

BAF	1	15 - 20	10	10	-
	2	15 - 20	-	10	-
BAFH	1	15 - 20	22	22	-
	2	15 - 20	-	22	-

Switching Neutrals

Breaker Type	No. of Poles	Ampere Rating	UL A.I.R. (kA) RMS Symmetrical Amperes		
			Volts AC		
			120	120/240	240
BG	2	15 - 30	10	-	-
	3	15 - 30	-	10	-

Factory Added Options

For all Factory Modifications Consult Siemens for cost adders

Description

- Non-UL 50C calibration
- 400 Hz Calibration ①
- 415V, 50Hz Calibration ②
- Fungus Proofing

- ① UL listed 5kA max. A.I.R.
 - ② Non-UL 1 and 2 poles only
- External Accessories
(Factory Installed only)

**External Accessories
(Factory installed only)**

Shunt Trip	Auxiliary Switch
1	0
0	1

(Adds 1 pole width to left side of circuit breaker)

External Accessories

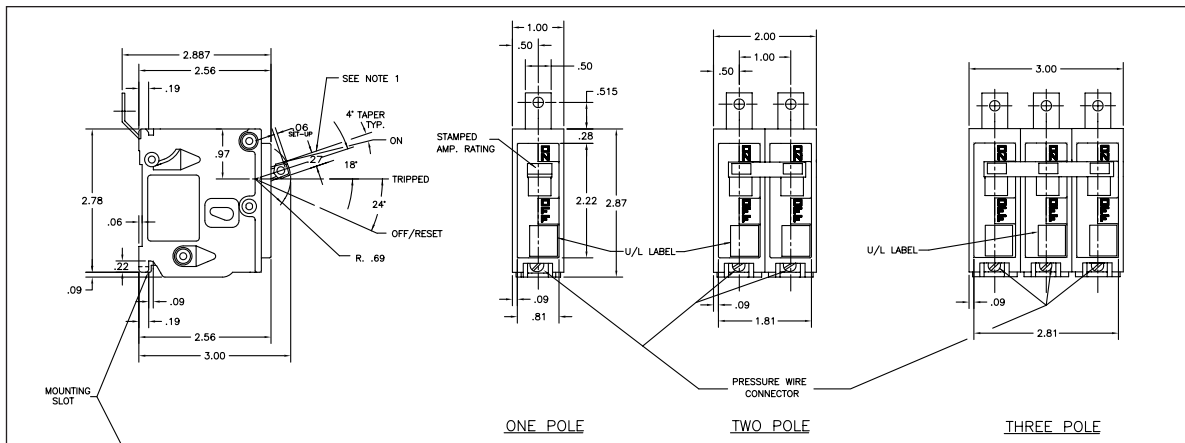
- Field installable
- Padlocking Device for 1, 2, and 3 poles
 - Handle Blocking Device

Pressure Wire Connectors

Load Side terminal factory installed only

Ampere Rating	Cables Per Lug	Wire Range
15 - 20	1	#14 - #10 AWG Cu.
	1	#12 - #10 AWG Al
25 - 35	1	#14 - #6 AWG Cu.
	1	#12 - #6 AWG Al.
40 - 50	1	#8 - #6 AWG Cu.
	1	#8 - #4 AWG Al.
55 - 70	1	#8 - #4 AWG Cu.
	1	#8 - #2 AWG Al.
80 - 100	1	#4 - #1/0 AWG Cu.
	1	#2 - #1/0 AWG Al.
110 - 125	1	#2 - #1/0 AWG Cu.
	1	#1/0 - #2/0 AWG Al.

Note: Molded Case Circuit Breakers having a rated ampacity of 125 amperes or less are to be connected with 60 or 75C wire. Exceptions of this rule are outlined in article 110-12 C of the National Electrical Code.



Legal Manufacturer

Siemens Industry, Inc.
3617 Parkway Ln
Peachtree Corners, GA 30092
United States of America
Telephone: +1 (800) 333-7421
www.usa.siemens.com
Order No. CBSS-BLCUT-1223
© 12.2023, Siemens Industry, Inc.

This document contains a general description of available technical options only, and its effectiveness will be subject to specific variables including field conditions and project parameters. Siemens does not make representations, warranties, or assurances as to the accuracy or completeness of the content contained herein. Siemens reserves the right to modify the technology and product specifications in its sole discretion without advance notice.