


Mounting and operating instructions

Product	DELTA profil		DELTA ambiente		DELTA style	
Interface RS 232 	pearl grey titanium white anthracite silver	5WG1 146-2AB01 5WG1 146-2AB11 5WG1 146-2AB21 5WG1 146-2AB71	arctic white cosmos grey royal blue	5WG1 142-2AB01 5WG1 142-2AB11 5WG1 142-2AB21	titanium white	5WG1 146-2AB11
Frame	To be ordered separately from the DELTA range					
	cut-out frames					
Tier frame						titanium white 5TG1 1328
Bus coupling unit	UP 110; UP 114; UP 115					

Product and Applications Description

With its built-in plug-and-socket device, it enables a personal computer (AT compatible PC) to be attached for addressing, parameterising, visualising, logging and diagnosis of bus devices.

With the interface it is possible to operate all bus devices in the whole bus system.

It allows devices isolated access to the bus line when a specified transmission protocol has to be adhered to.

The connection to the PC is arranged between the 9-pin SUB-D-socket of the interface RS 232 and the COM 1 or COM 2 interface.

The interface is slid onto the bus coupling unit UP together with its frame. It requires a bus coupling unit to work properly.

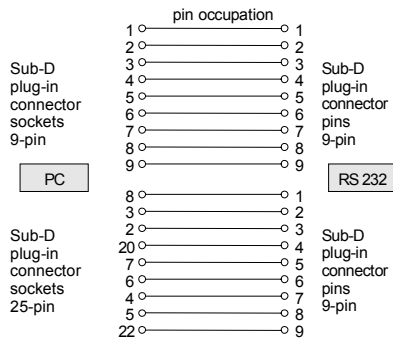
It is possible to e.g. remove a UP push button from its bus coupling unit UP and replace it with an interface UP. This does not destroy the application program of the bus coupling unit UP.

The bus coupling unit UP and frame are not included and therefore have to be ordered separately. Cut-out frames should be used for DELTA profil.

Additional Informations

<http://www.siemens.de/gamma>

Example of Operation



Technical Specifications

Power supply
via bus coupling unit UP

Transmission rate
9600 baud

Connection cable
available from authorised electronics stores (see Example of Usage)

- Connections**
- 10-pin connector (PEI): for connection to a bus coupling unit UP
 - RS 232 interface: 9-pin SUB-D plug length of data cable: max. 15 m

Physical specifications

- dimensions (L x W x D):
 - DELTA profil, DELTA ambiente, DELTA style: 65 x 65 x 40 mm
- weight: approx. 70 g
- installation: slide onto bus coupling unit UP and secure with the mounting screws included

Electrical safety

- protection (according to EN 60529): IP 20

Environmental specifications

- ambient temperature operating: - 5 ... + 45 °C
- storage temperature: - 25 ... + 70 °C
- relative humidity (non-condensing): 5 % to 93 %

Location and Function of the Display and Operator Elements

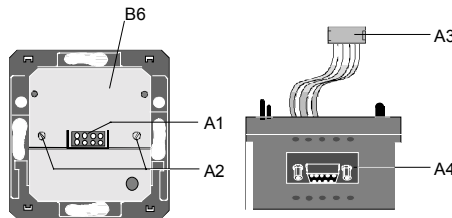


Diagram 1: Main module and supporting plate

- A1 8-pin socket connector
- A2 Mounting screws
- A3 8-pin plug-in connector
- A4 9-pin interface (SUB-D socket)
- B6 Base module

Mounting and Wiring

- The device may be used for permanent interior installations in dry locations within box mounts (in combination with a bus coupling unit UP).

WARNING

- The device must be mounted and commissioned by an authorised electrician.
- The device must not be mounted in box mounts together with 230 V devices.
- The device may be mounted to switch and socket combination box mounts (together with a bus coupling unit UP) if VDE-certified devices are used exclusively.
- The prevailing safety rules must be heeded.
- For planning and construction of electric installations, the relevant guidelines, regulations and standards of the respective country are to be considered.

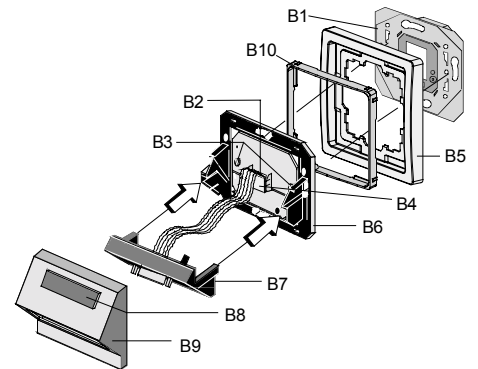


Diagram 2: Mounting the interface

- B1 Bus coupling unit UP
- B2 Socket connector *)
- B3 Mounting screws *)
- B4 8-pin plug-in connector with contacting pins *)
- B5 Frame
- B6 Base module *)
- B7 Supporting panel *)
- B8 Note label *)
- B9 Cover *)
- B10 Tier frame

*) Scope of supply

General Notes

- Any faulty devices should be returned to the local Siemens office.
- If you have further questions about the product, please contact our Technical Support:

+49 (0) 180 50 50-222
 +49 (0) 180 50 50-223
adsupport@siemens.com