

| U.S. Cat. No. | Euro Order No. | U.S. Cat. No. | Euro Order No. |
|---------------|----------------|---------------|----------------|
| Item: TMKJE3  | 3VL9400-4TA51  | TMKJ          | 3VL9400-4TA01  |
| TMKLE3        | 3VL9460-4TA51  | TMKJ_         | 3VL9400-4TA_1  |
|               |                | TMKL          | 3VL9460-4TA01  |
|               |                | TMKL_         | 3VL9460-4TA_1  |
|               |                | TNKL          | 3VL9460-4TB01  |
|               |                | TNKL_         | 3VL9460-4TB_1  |

## Nut Keeper Plate

Placa terminal para fijación de conexiones

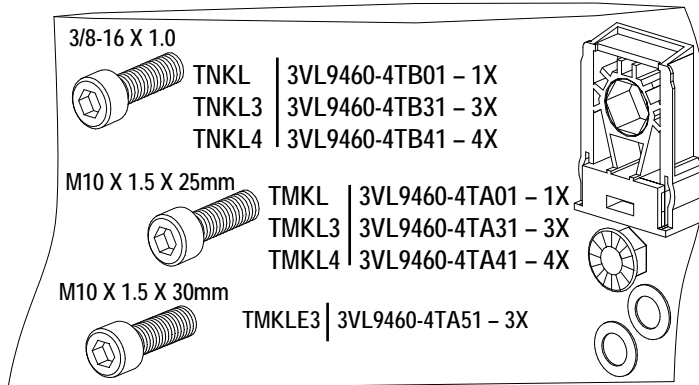
Connection par vis

For Use With Frame JG, LG  
Para Usar Con Caja Base JG, LG

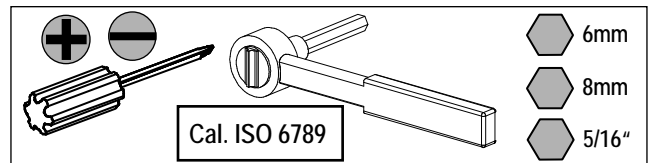
Installation Instructions / Instructivo de Instalación

|  <b>Danger</b>  |  <b>Peligro</b>   |  <b>Danger!</b>  |
|--|--|---|
| <b>Hazardous Voltage</b><br><b>Will cause death or serious injury</b><br>Turn off and lock out all power supplying this device before working on this device.<br>Replace all covers before power supplying this device is turned on. | <b>Tensión peligrosa.</b><br><b>Puede causar la muerte o lesiones graves.</b><br>Desenergice totalmente antes de instalar o darle servicio.<br>Reemplace todas las barreras y cubiertas antes de energizar el interruptor. | <b>Tension dangereuse.</b><br><b>Danger of mort ou risque de blessures graves.</b><br>Couper l'alimentation de l'appareil et barrer avant de travailler.<br>Remplacez tous les couverts avant que l'alprovisionnement de pouvoir soit alimenté. |

Use only with Siemens certified Components.  
Utilizar únicamente con componentes certificados de Siemens.  
A utiliser uniquement avec les composants certifiés Siemens.

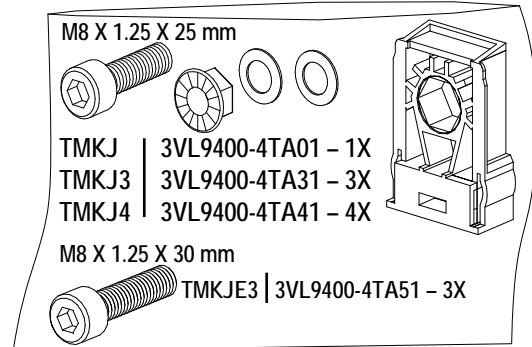


|                  |        |                    |
|------------------|--------|--------------------|
| 3/8-16 X 1.0     | TNKL   | 3VL9460-4TB01 - 1X |
|                  | TNKL3  | 3VL9460-4TB31 - 3X |
|                  | TNKL4  | 3VL9460-4TB41 - 4X |
| M10 X 1.5 X 25mm | TMKL   | 3VL9460-4TA01 - 1X |
|                  | TMKL3  | 3VL9460-4TA31 - 3X |
|                  | TMKL4  | 3VL9460-4TA41 - 4X |
| M10 X 1.5 X 30mm | TMKLE3 | 3VL9460-4TA51 - 3X |

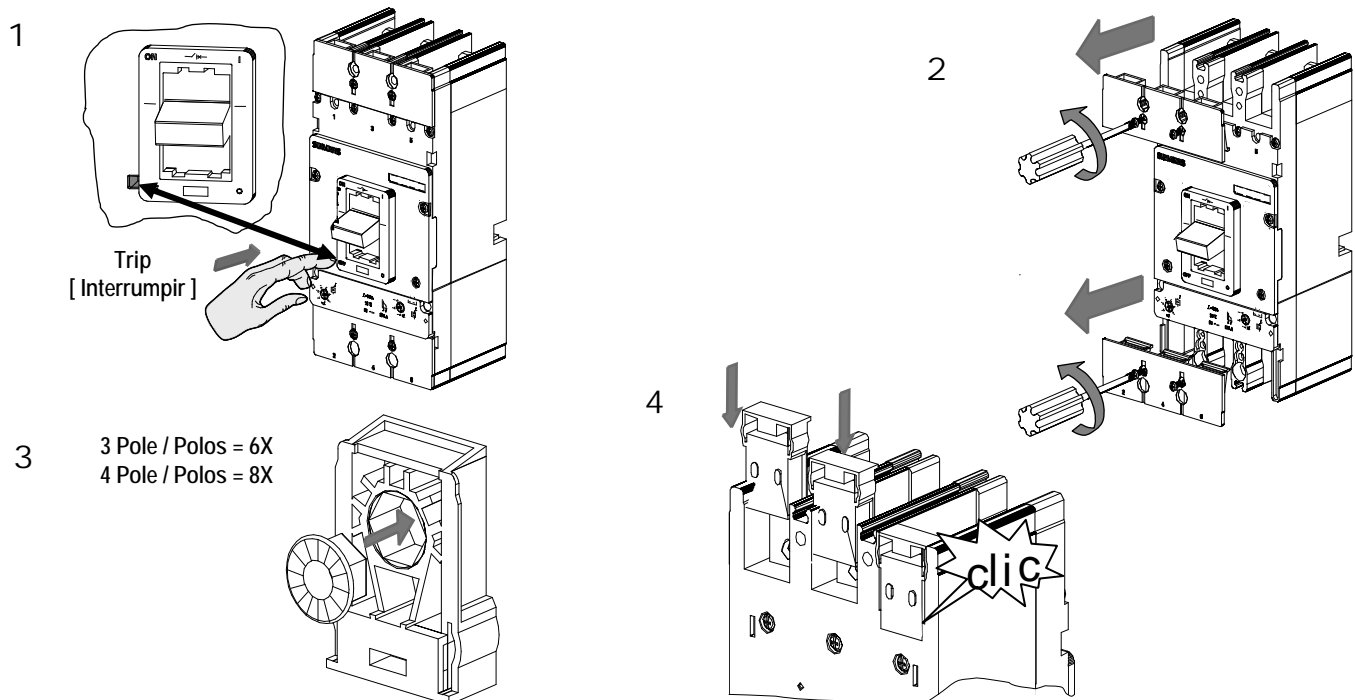


Cal. ISO 6789

- 6mm
- 8mm
- 5/16"

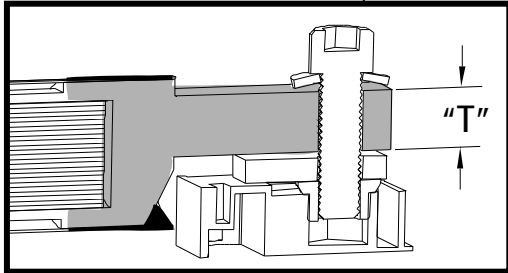
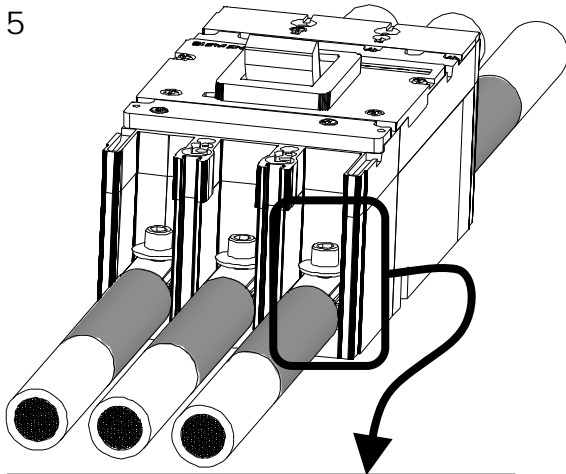


|                   |        |                    |
|-------------------|--------|--------------------|
| M8 X 1.25 X 25 mm | TMKJ   | 3VL9400-4TA01 - 1X |
|                   | TMKJ3  | 3VL9400-4TA31 - 3X |
|                   | TMKJ4  | 3VL9400-4TA41 - 4X |
| M8 X 1.25 X 30 mm | TMKJE3 | 3VL9400-4TA51 - 3X |



1. Trip [ Interrupir ]
2. [ Arrow pointing to terminal nut insertion ]
3. 3 Pole / Polos = 6X  
4 Pole / Polos = 8X
4. clic

5

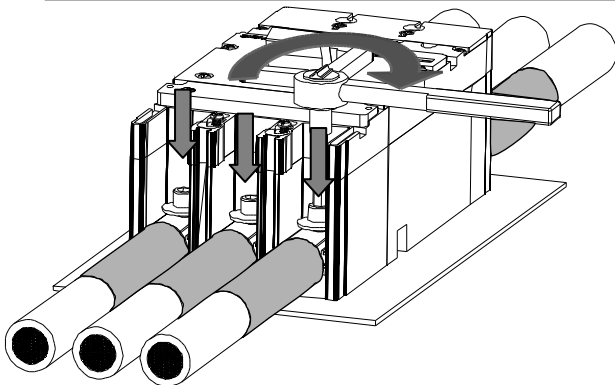


|    |                                  |   |   |
|----|----------------------------------|---|---|
| JG | T = .20 - .27<br>[ 5 - 7mm ]     | → | TMKJ / 3VL9400-4TA01<br>TMKJ3 / 3VL9400-4TA31<br>TMKJ4 / 3VL9400-4TA41<br>M8 X 1.25 X 25 mm |
|    | T = .27 - .40<br>[ 7 - 10mm ]    | → |   |
|    | T = .45 - .52<br>[ 11.4 - 13mm ] | → | TMKJE3 / 3VL9400-4TA51<br>M8 X 1.25 X 30 mm   |
|    | T = .52 - .65<br>[ 13 - 16.5mm ] | → |   |

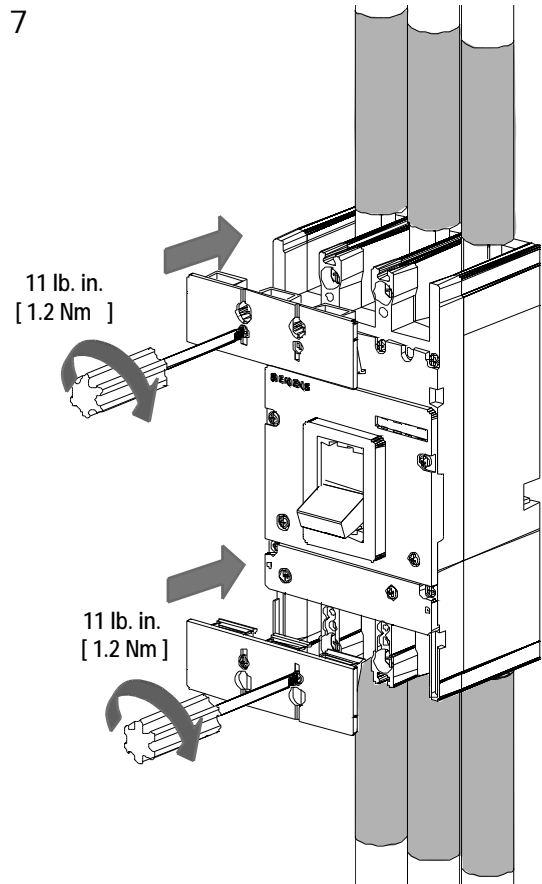
|    |                                |   |  |
|----|--------------------------------|---|--|
| LG | T = .17 - .23<br>[ 4 - 6mm ]   | → | TNKL / 3VL9460-4TB01<br>TNKL3 / 3VL9460-4TB31<br>TNKL4 / 3VL9460-4TB41<br>3/8-16 X 1.0     |
|    | T = .23 - .34<br>[ 6 - 9mm ]   | → | TMKL / 3VL9460-4TA01<br>TMKL3 / 3VL9460-4TA31<br>TMKL4 / 3VL9460-4TA41<br>M10 X 1.5 X 25mm |
|    | T = .42 - .48<br>[ 11 - 12mm ] | → | TMKLE3 / 3VL9460-4TA51<br>M10 X 1.5 X 30mm   |
|    | T = .48 - .59<br>[ 12 - 15mm ] | → |  |

6

| Frame<br>[ Caja ] | Catalog No.<br>[ Numero de Catalogo ] | Screw Torque<br>[ esfuerzo de torsión del tornillo ] |
|-------------------|---------------------------------------|--|
| JG                | TMKJ 3VL9400-4TA01                    | M8 X 1.25 X 25mm                                     |
|                   | TMKJ3 3VL9400-4TA31                   | 133 lb. in. [ 15Nm ]                                 |
|                   | TMKJ4 3VL9400-4TA41                   | 6 mm   |
|                   | TMKJE3 3VL9400-4TA51                  |  |
| LG                | TNKL 3VL9460-4TB01                    | 3/8-16 X 1.00  |
|                   | TNKL3 3VL9460-4TB31                   | 133 lb. in. [ 15Nm ]                                 |
|                   | TNKL4 3VL9460-4TB41                   | 5/16   |
|                   | TMKL 3VL9460-4TA01                    | M10 x 1.5 x 25mm                                     |
|                   | TMKL3 3VL9460-4TA31                   | 222 lb. in. [ 25Nm ]                                 |
|                   | TMKL4 3VL9460-4TA41                   | 8 mm   |
|                   | TMKLE3 3VL9460-4TA51                  |  |



7



For Support in Europe refer to :

Bestell-Nr. / Order No.: 3ZX1012-OVL68-5AA8

Internet: [www.siemens.de/lowvoltage/technical-assistance](http://www.siemens.de/lowvoltage/technical-assistance)

GWA 4NEB 179 6879-10 DS 03

Technical Support:

Toll Free: 1-800-964-4114

Internet: [www.sea.siemens.com](http://www.sea.siemens.com)

Subject to change without prior notice  
Siemens Energy & Automation Inc. , Alpharetta, GA U.S.A.