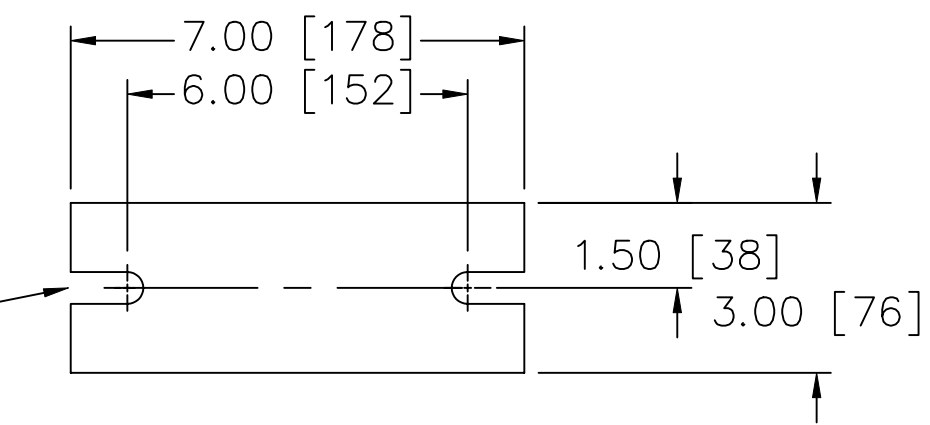
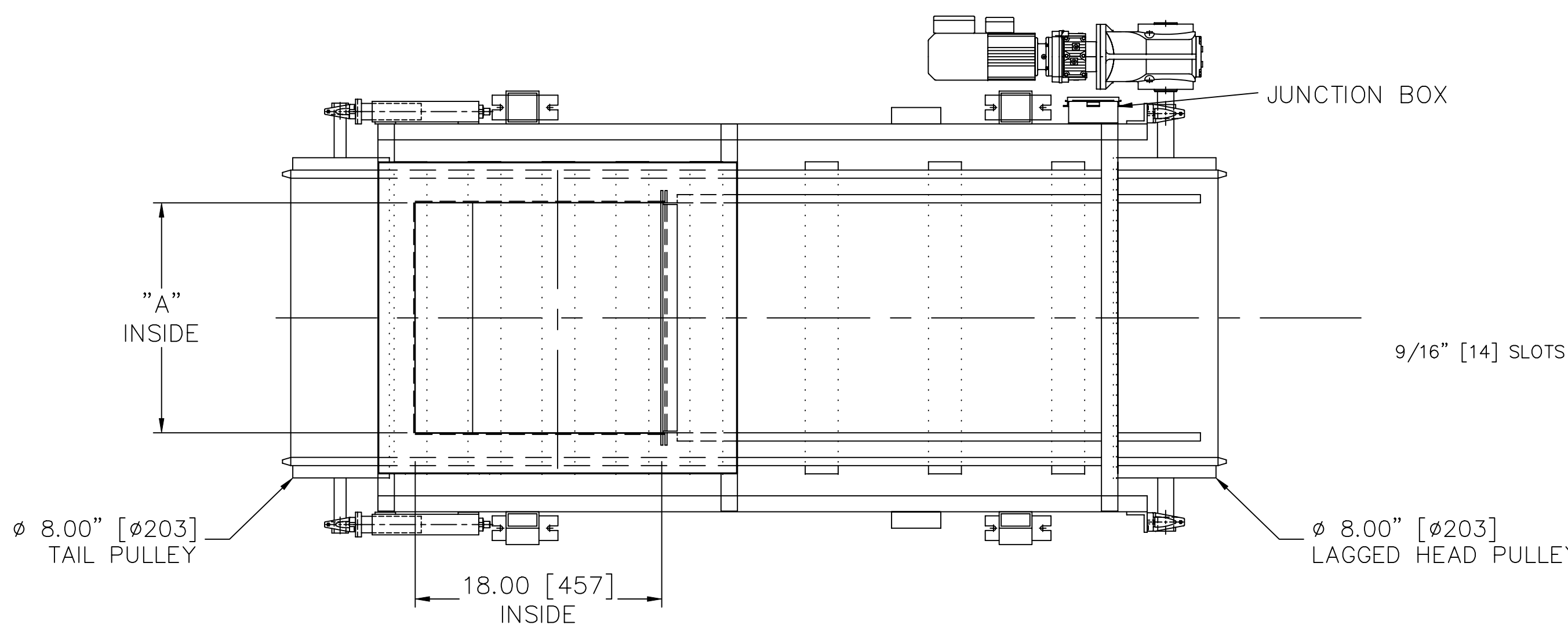
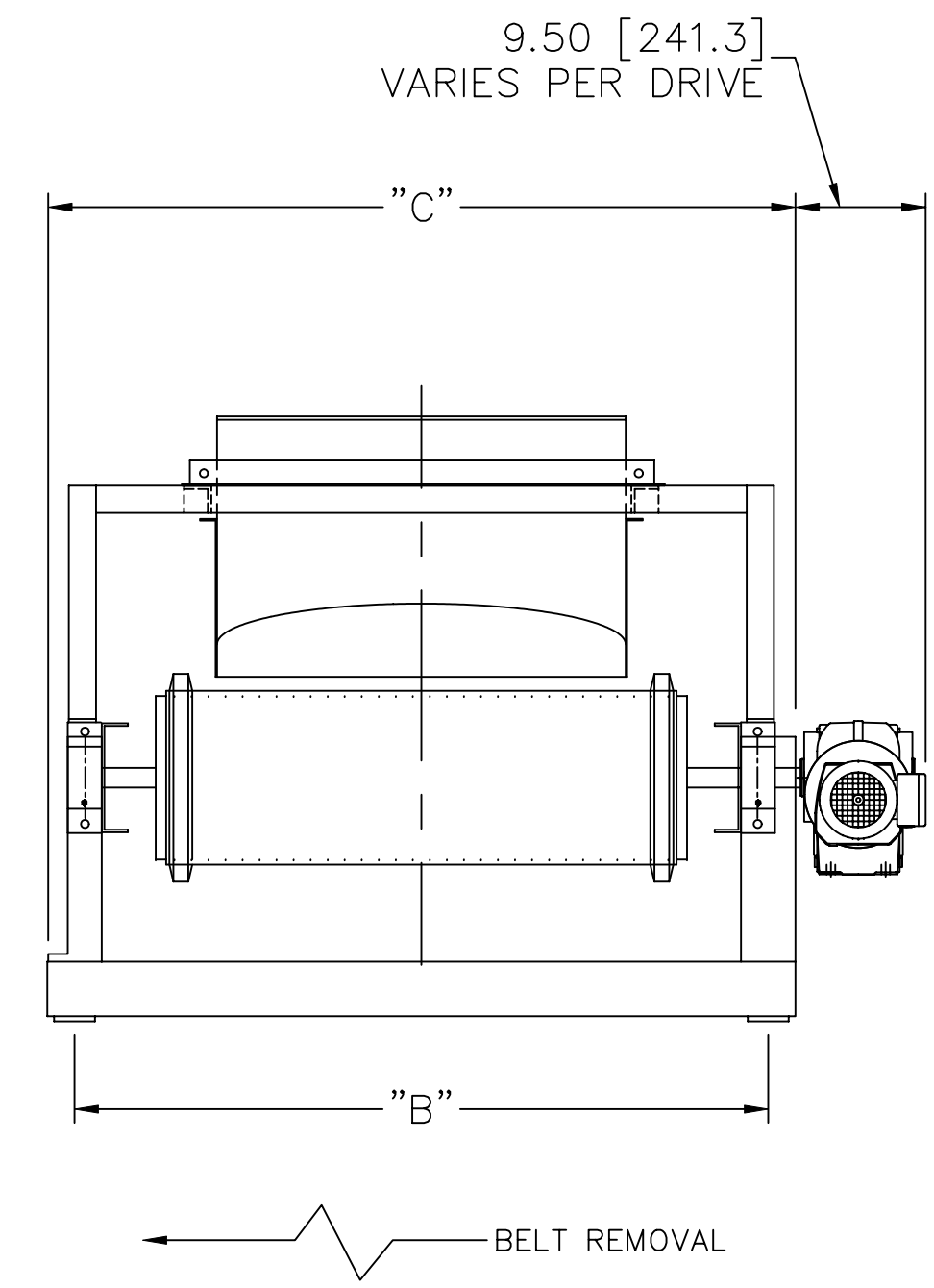
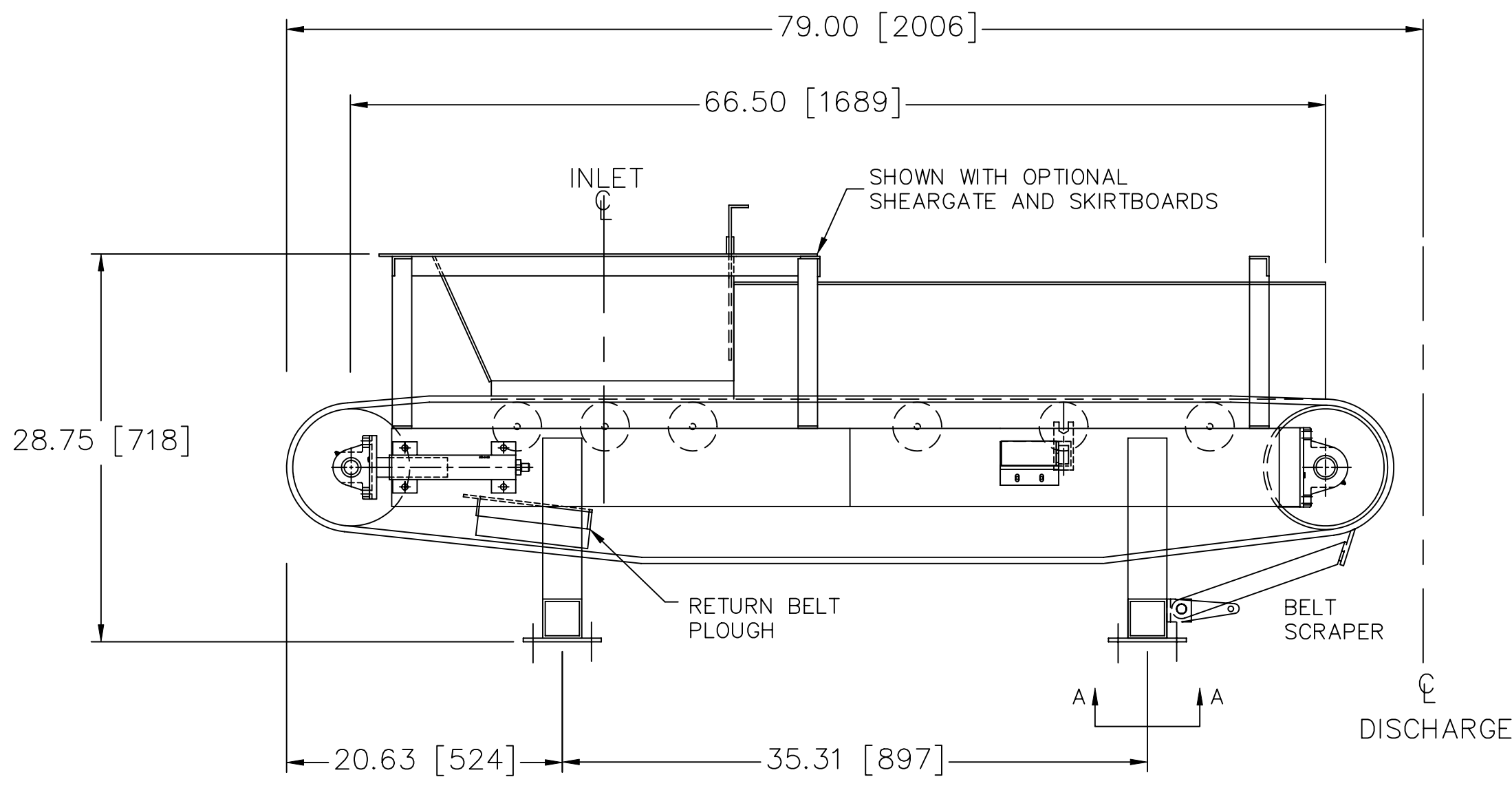


A I B I C I D I E I F I G I H I I I J I K I L I M I N I



VIEW A-A  
TYP. (4) PLACES  
SCALE 4:1



BELT WIDTH	"A"	"B"	"C"
18" [457]	12" [305]	32" [813]	35" [889]
24" [610]	18" [457]	38" [965]	41" [1042]
30" [762]	24" [610]	44" [1118]	47" [1194]
36" [915]	30" [762]	50" [1270]	53" [1346]
42" [1067]	36" [915]	56" [1423]	59" [1499]

INCREASE IN LENGTH AVAILABLE  
IN 15" [381MM] INCREMENTS

USE DIMENSIONS ONLY -- DO NOT SCALE		0	FOR RELEASE	REC	RDC	JAN 22/04	
DIMENSIONS ARE IN INCHES		Rev.	Revision / ECN Description	Drawn	Appr.	Date	
Third Angle Projection 	Product Group	MASS DYNAMICS		Tolerance Unless Otherwise Noted: UOS 1 Place Decimal ± 0.03 2 Place Decimal ± 0.01 3 Place Decimal ± 0.002		Angles: ± 0.5°	
	Date:	22.01.04		Scale:	NONE		
FOR INTERNAL USE ONLY	Drawn:	REC		TITLE: MODEL 800 SERIES OPEN CONSTRUCTION STANDARD WEIGHFEEDER			
	Checked:	TFE		DRAWING No: 23650524			
	Approved:	RDC		Rev. 0			
	Location:	PETERBOROUGH		SIEMENS MILLTRONICS PROCESS INSTRUMENTS INC. Peterborough, Ontario, Canada			
	File No.:	2365052400		Plot at:	1=1		Sheet 1 of 1