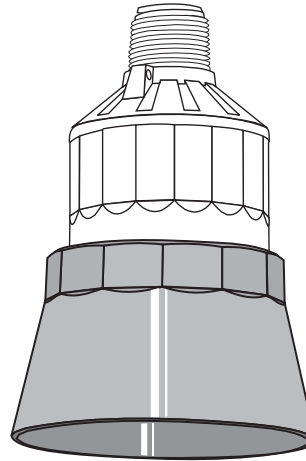


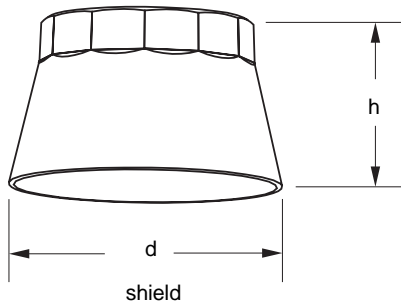
This submergence shield is designed for use with an Echomax transducer. In applications where flooding is possible, the shield acts to create an air pocket in front of the transducer face; for which applicable transceivers detect as a flood condition.



SPECIFICATIONS

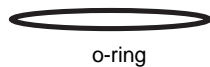
Models :
 » XPS-10
 » XPS-15

Material :
 » shield - polypropylene
 » o-ring - silicone



	XPS-10	XPS-15
d	124 mm (4.9")	159 mm (6.3")
h	76 mm (3")	76 mm (3")
o-ring*	75 mm (3")	100 mm (4")

* nominal size



o-ring

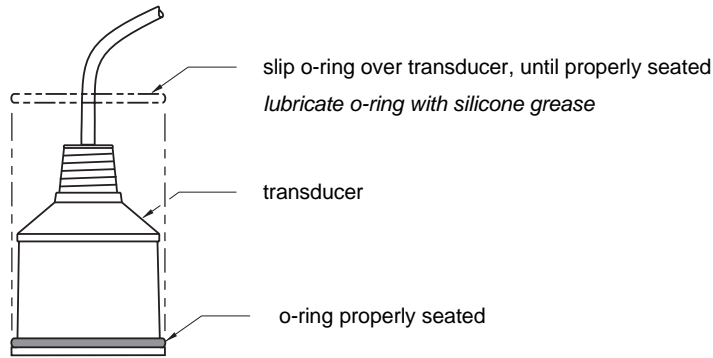


Peterborough, Canada
 Arlington, U.S.A.
 Worcester, England
 Meyreuil, France
 Internet:

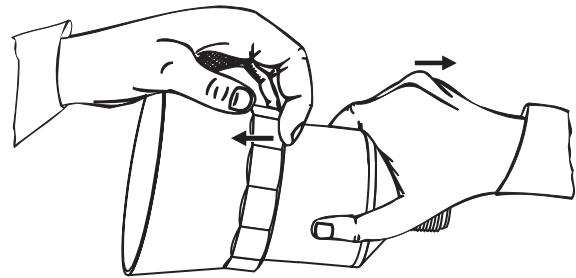
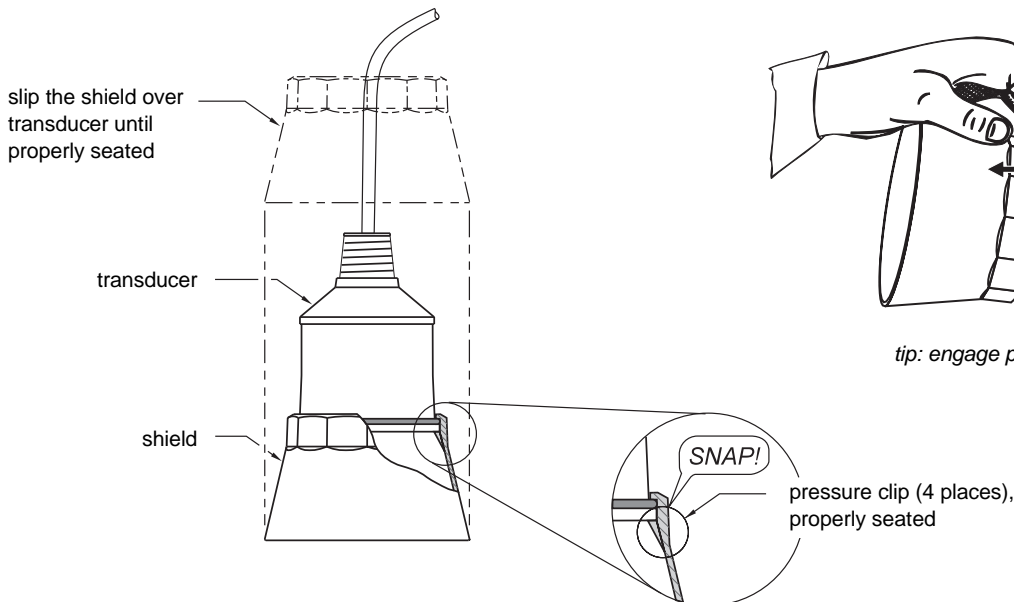
TEL. 705-745-2431
 TEL. 817-277-3542
 TEL. 01905 748404
 TEL. +33 4 42 65 69 00
<http://www.milltronics.com>

ASSEMBLY

Install o-ring



Install shield



tip: engage pressure clips one at a time



To test seal; place the assembled unit in a bucket of water and look for bubbles leaking past the o-ring. If there are leaks, the shield has not been pulled down far enough to properly seat the pressure clips.

Refer to transducer / transceiver instruction manual for installation and application details.

Shield and o-ring are single usage items only. If replacing transducer, replace shield and o-ring with new parts.