

# SIEMENS

**Circuit Breaker , Frame JG, LG**  
**Interruptor , Caja Base JG, LG**  
**Disjoncteur , de Base JG, LG**

	U.S. Cat. No.			Euro Order No.		
Item:	HJS_S400	NJX	NJG	3VL41 - G 0-0AA0	3VL40 - LQ 0-0AA0	
	HLR_S600	HJX	NLY	3VL41 - J 0-0AA0	3VL41 - LQ 0-0AA0	
	LJS3S400	LJX	HLY	3VL41 - K 0-0AA0	3VL43 - KN 0-0AA0	
	LLR3S500	NJJ	LLY	3VL40 - K 0-0AA0	3VL45 - G 30-0AA0	
	NJN	NLX	NLK		3VL45 - J 30-0AA0	
	HJN	HLX	HLK		3VL45 - K 0-0AA0	
	LJN	LLX	LLK		3VL48 - K 0-0AA0	
	NLN	NJY	NLW		3VL48 - G 30-0AA0	
	HLN	HJY	HLW		3VL48 - J 30-0AA0	
	LLN	LJY	LLW			

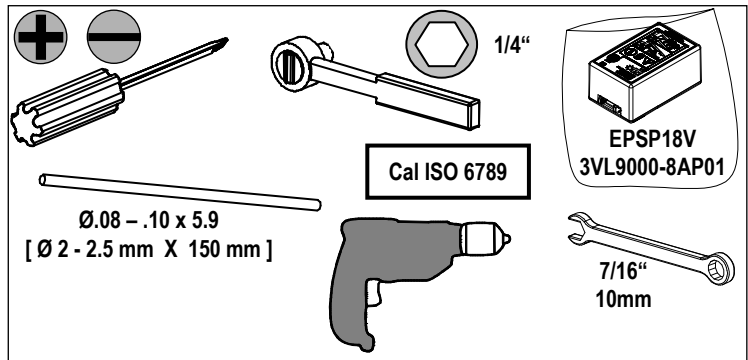
Installation Instructions / Instructivo de Instalación

	<b>Danger</b>	<b>Peligro</b>	<b>Danger</b>
	<b>Hazardous Voltage.</b> Will cause death or serious injury.	<b>Tensión peligrosa.</b> Puede causar la muerte o lesiones graves.	<b>Tension dangereuse.</b> Danger de mort ou risque de blessures graves.
	Turn off and lock out all power supplying this device before working on this device. Replace all covers before power supplying this device is turned on.	Desenergice totalmente antes de instalar o darle servicio. Reemplace todas las barreras y cubiertas antes de energizar el interruptor.	Couper l'alimentation de l'appareil et barrer avant de travailler. Remplacez tous les couverts avant que l'alprovisionnement de pouvoir soit alimenté.

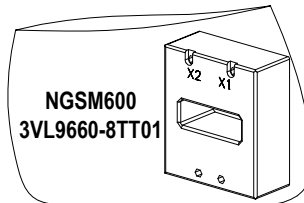
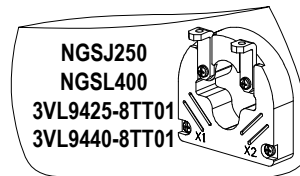
**Use only with Siemens certified Components.**  
**Utilizar únicamente con componentes certificados de Siemens.**  
**A utiliser uniquement avec les composants certifiés Siemens.**

NOTE - These instructions do not purport to cover all details or variations in equipment, or to provide for every possible contingency to be met in connection with installation, operation or maintenance. Should further information be desired or should particular problems arise, which are not covered sufficiently for the purchaser's purposes, the matter should be referred to the local Siemens sales office. The contents of this instruction manual shall not become part of or modify any prior or existing agreement, commitment or relationship. The sales contract contains the entire obligation of Siemens. The warranty contained in the contract between the parties is the sole warranty of Siemens. Any statements contained herein do not create new warranties or modify the existing warranty.

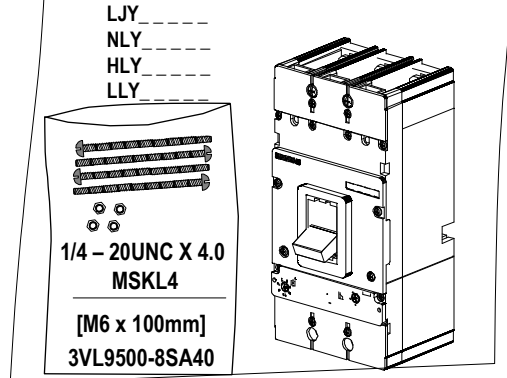
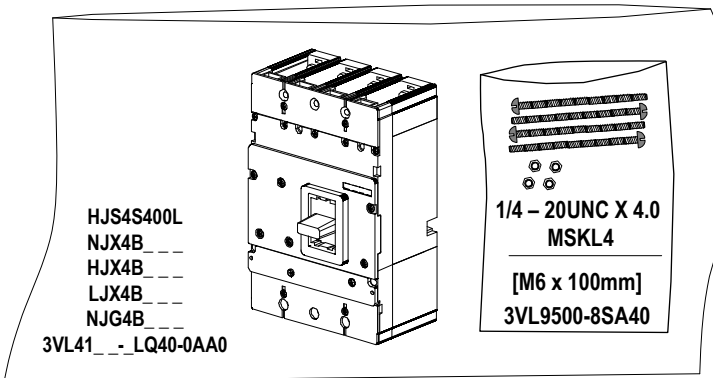
Trademarks - Unless otherwise noted, all names identified by ® are registered trademarks of Siemens AG or Siemens Industry, Inc. The remaining trademarks in this publication may be trademarks whose use by third parties for their own purposes could violate the rights of the owner.

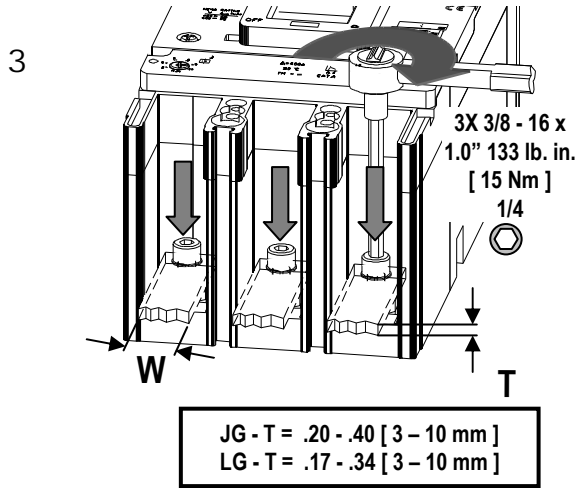
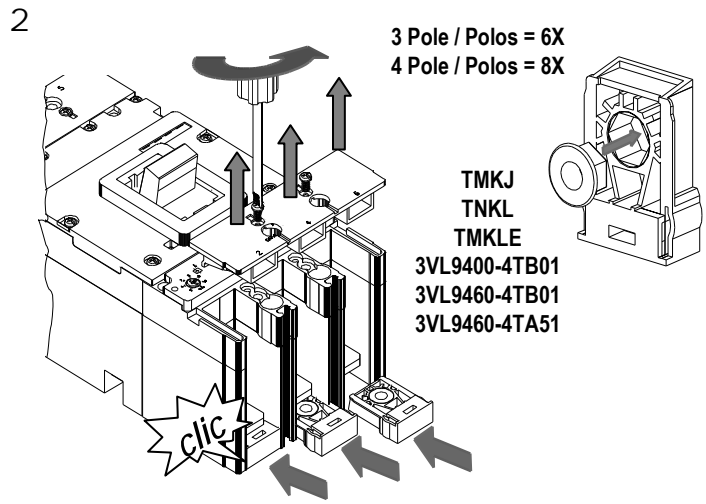
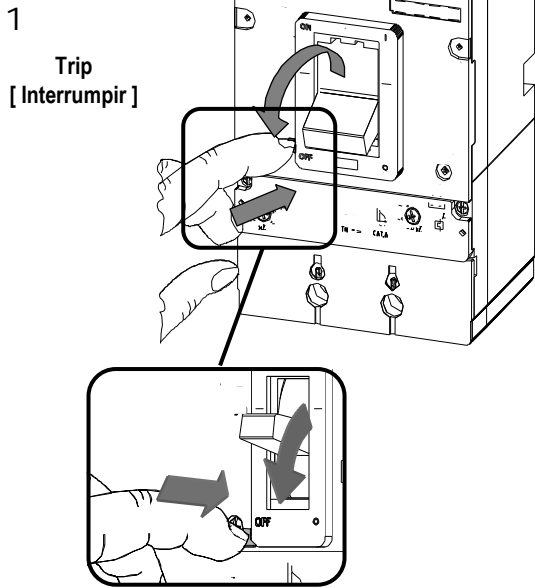


**Accessory**  
**[ Accesorio ]**



HJS_S400	NLK
HLR_S600	HLK
LJS3S400	LLK
LLR3S500	NLW
NJN_B_0	HLW
HJN_B_0	LLW
LJN_B_0	3VL41 - G 0-0AA0
NLN_B_0	3VL41 - J 0-0AA0
HLN_B_0	3VL40 - K 0-0AA0
LLN_B_0	3VL41 - K 0-0AA0
NJJ	3VL40 - LQ 0-0AA0
NJG	3VL41 - LQ 0-0AA0
NJX	3VL43 - KN 0-0AA0
HJX	3VL45 - J 30-0AA0
LJX	3VL45 - G 30-0AA0
NLX	3VL45 - K 0-0AA0
HLX	3VL48 - K 0-0AA0
LLX	3VL48 - J 30-0AA0
NJY	3VL48 - G 30-0AA0
HJY	
LJY	
NLY	
HLY	
LLY	



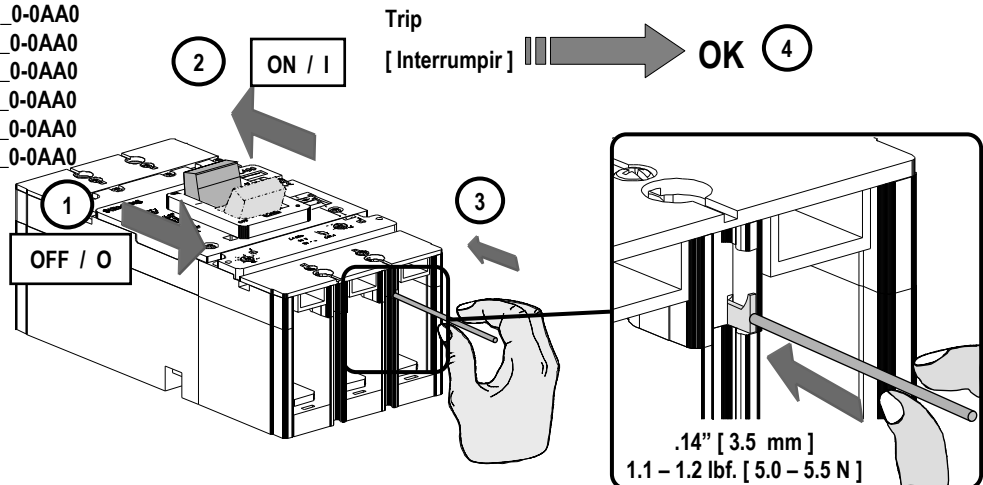


JG	T = .20 - .27 [ 5 - 7 mm ]	→	
	T = .27 - .40 [ 7 - 10 mm ]	→	
"W" = ≤ 1.26 [ 32 mm ]			
LG	T = .17 - .23 [ 4 - 6 mm ]	→	
	T = .23 - .34 [ 6 - 9 mm ]	→	
"W" = ≤ 1.26 [ 32 mm ]			

4 Test:  
[ Prueba: ]

Trip Unit - 525  
[ Disparador - 525 ]

HJS_S400	3VL4140-2RC_0-0AA0
HLR_S600	3VL4560-2RC_0-0AA0
LJS3S400	3VL40 - K_0-0AA0
LLR3S500	3VL41 - K_0-0AA0
N_N_B_0	3VL40 - LQ_0-0AA0
H_N_B_0	3VL41 - LQ_0-0AA0
L_N_B_0	3VL43 - K_0-0AA0
NJJ	3VL45 - K_0-0AA0
NJG	3VL48 - K_0-0AA0
N_X	
H_X	
L_X	
N_Y	
H_Y	
L_Y	





# Danger

**Hazardous Voltage.**  
**Will cause death or serious injury.**  
 Turn off and lock out all power supplying this device before working on this device.  
 Replace all covers before power supplying this device is turned on.

# Peligro

**Tensión peligrosa.**  
**Puede causar la muerte o lesiones graves.**  
 Desenergice totalmente antes de instalar o darle servicio.  
 Reemplace todas las barreras y cubiertas antes de energizar el interruptor.

# Danger

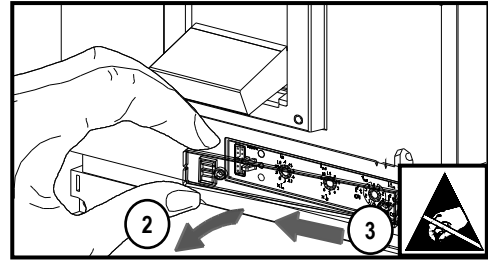
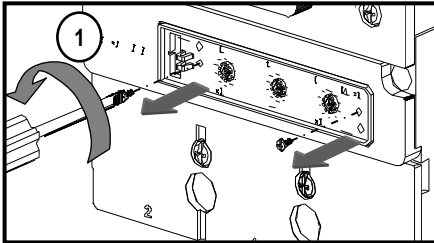
**Tension dangereuse.**  
**Danger de mort ou risque de blessures graves.**  
 Couper l'alimentation de l'appareil et barrer avant de travailler.  
 Remplacez tous les couverts avant que l'alimentation de pouvoir soit alimenté.



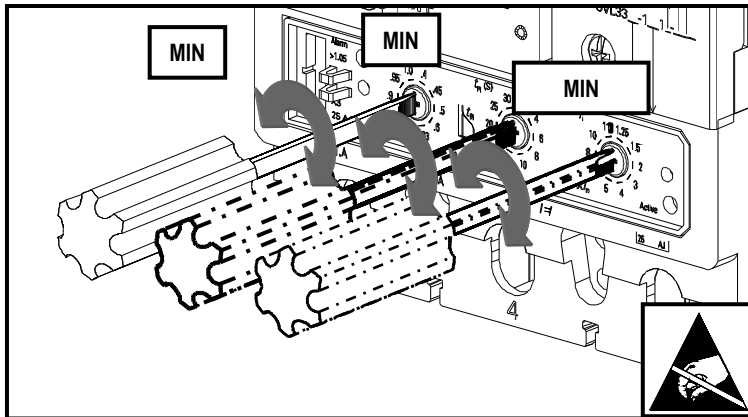
## Trip Unit - 545

### [ Disparador - 545 ]

1



2

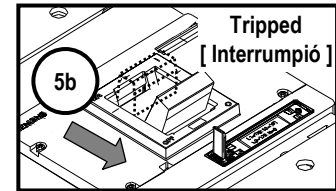
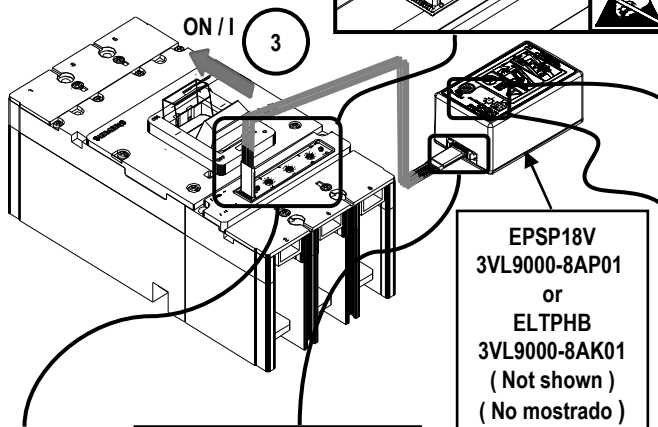


### Definitions / [Definiciones]

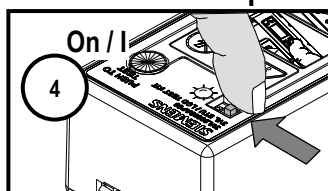
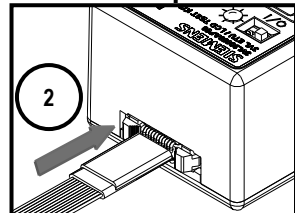
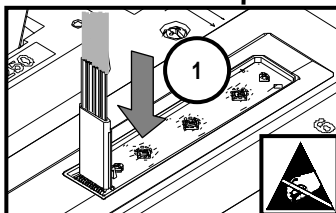
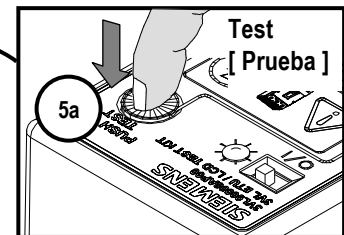
- $I_n$  = Rated Current [ Intensidad asignada ]
- $I_c$  = Continuous Amps [ Amperios Continuo ]
- $t_r$  = Long Time Delay [ Retardo largo ]
- $I_{sd}$  = Short Time Pickup [ Tiempo corto inicio ]
- $t_{sd}$  = Short Time Delay [ Retardo corto ]
- $I_i$  = Instantaneous Pickup [ Instantánea inicio ]
- $I_g$  = Ground Fault Pickup [ Inicio de Falla a Tierra ]
- $t_g$  = Ground Fault Delay [ Retardo de falla a tierra ]

3

Test:  
[ Prueba: ]



↑ Trip [ Interrumpir ]      → OK

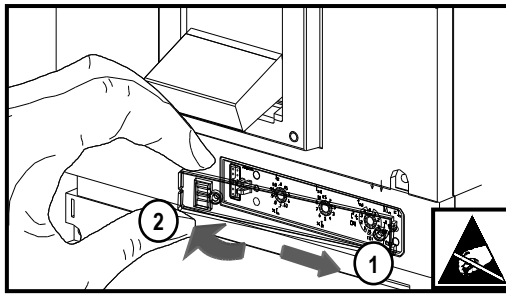


4

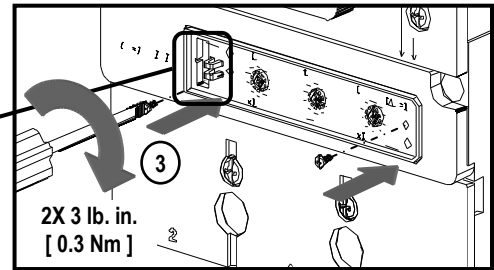
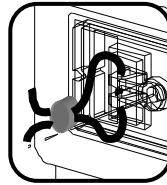
On / I

1

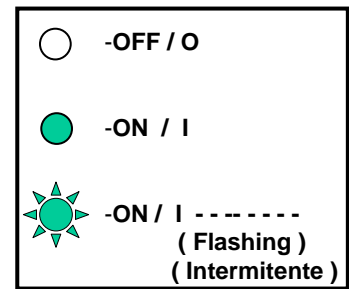
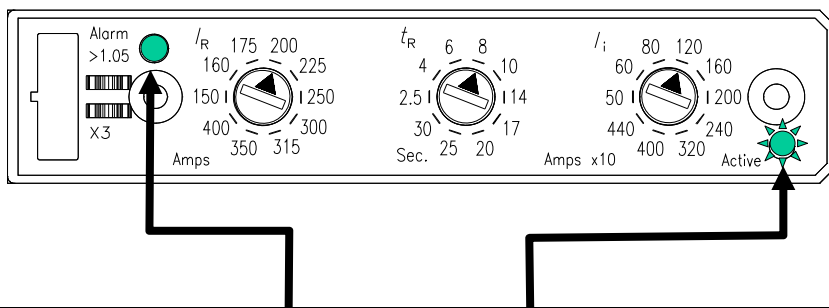
2



Option:  
Opción:



## L.E.D. Operational State [ L.E.D. Estado de Operación ]



Operational State [ Estado de operación ]	Alarm L.E.D [ L.E.D de Alarma ]	Active L.E.D. [ L.E.D Activo ]	System Status [ Estado del sistema ]	Trip Unit Status [ Estado de la unidad de disparo ]
OK	○	○	< 25% $I_n$	OK
OK	○	★	< 105% $I_r$	OK
OK	●	★	> 105% $I_r$	OK
Error	 Alternating [ Alternando ]		Call Technical Support [ Llamar a Soporte Técnico ]	*Minimum Setting [ * Ajuste de Minimo ]

\* In event of damage to the device, Electronic Trip Units are equipped with a Minimum Setting feature. All settings override to the lowest possible value and the device must be replaced.

[ \* En caso de daño al aparato, la unidad de disparo esta equipada con una característica Ajuste de Minimo . Todos los ajuste se convierte al valor mas bajo posible y la unidad debe ser remplazada ]



### ⚠ Danger

**Hazardous Voltage.**  
Will cause death or serious injury.

Turn off and lock out all power supplying this device before working on this device.  
Replace all covers before power supplying this device is turned on.



### ⚠ Peligro

**Tensión peligrosa.**  
Puede causar la muerte o lesiones graves.

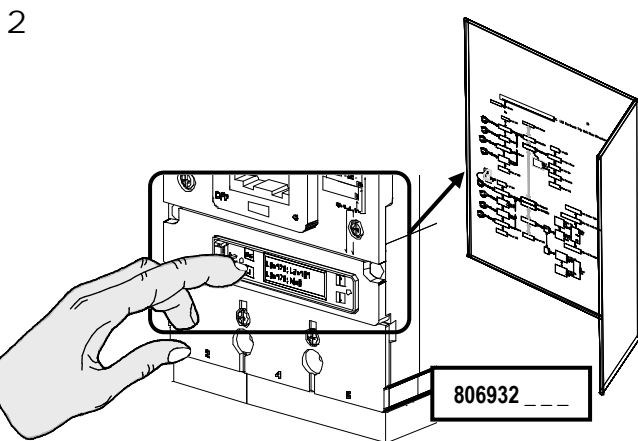
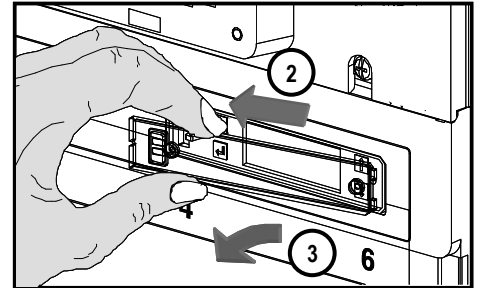
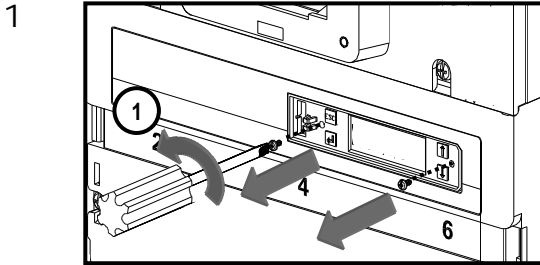
Desenergice totalmente antes de instalar o darle servicio.  
Reemplace todas las barreras y cubiertas antes de energizar el interruptor.

### ⚠ Danger

**Tension dangereuse.**  
Danger de mort ou risque de blessures graves.

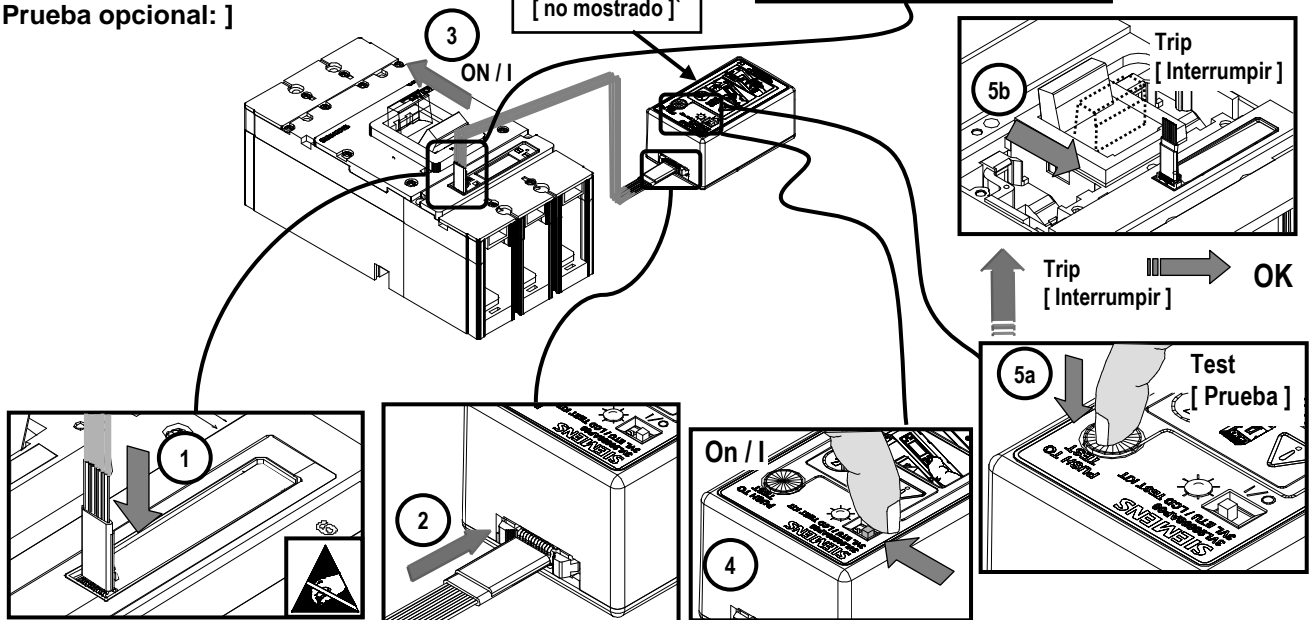
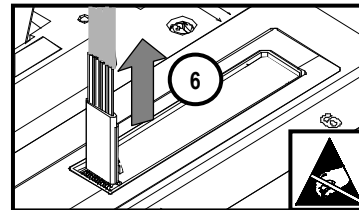
Couper l'alimentation de l'appareil et barrer avant de travailler.  
Remplacez tous les couverts avant que l'approvisionnement de pouvoir soit alimenté.

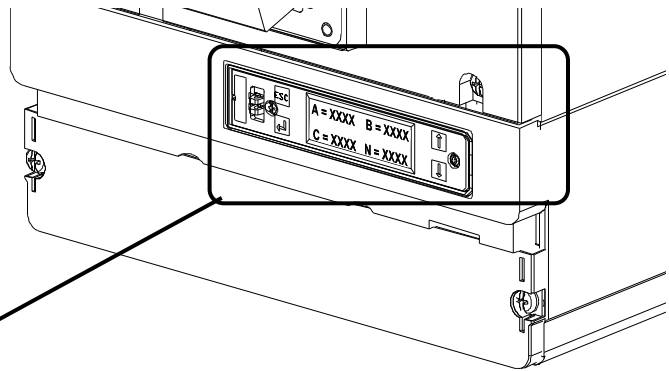
#### Trip Unit – 576 [ Disparador – 576 ]



### 3 Optional Test: [ Prueba opcional: ]

EPSP18V  
3VL9000-8AP01  
or  
ELTPHB  
3VL9800-8AK01  
( not shown )  
[ no mostrado ]





Operational State [ Estado de operación ]	LCD Display [ Pantalla LCD ]	System Status [ Estado del sistema ]	Trip Unit Status [ Estado de la unidad de disparo ]
OK		$< 25\% I_n$	OK
OK	A = XXXX B = XXXX C = XXXX N = XXXX	$< 105\% I_r$	OK
OK	OVERLOAD ON PHASE A	$> 105\% I_r$	OK
Error	WARNING!!! TRIP UNIT ERROR	Call Technical Support [ Lamar a Soporte Técnico ]	*Minimum Setting [ * Ajuste de Mínimo ]

\* In event of damage to the device, Electronic Trip Units are equipped with a Minimum Setting feature. All settings override to the lowest possible value and the device must be replaced.

[ \* En caso de daño al aparato, la unidad de disparo esta equipada con una característica Ajuste de Minimo . Todos los ajuste se convierte al valor mas bajo posible y la unidad debe ser remplazada ]



# Danger

**Hazardous Voltage.**  
**Will cause death or serious injury.**

Turn off and lock out all power supplying this device before working on this device.  
Replace all covers before power supplying this device is turned on.

# Peligro

**Tensión peligrosa.**  
**Puede causar la muerte o lesiones graves.**

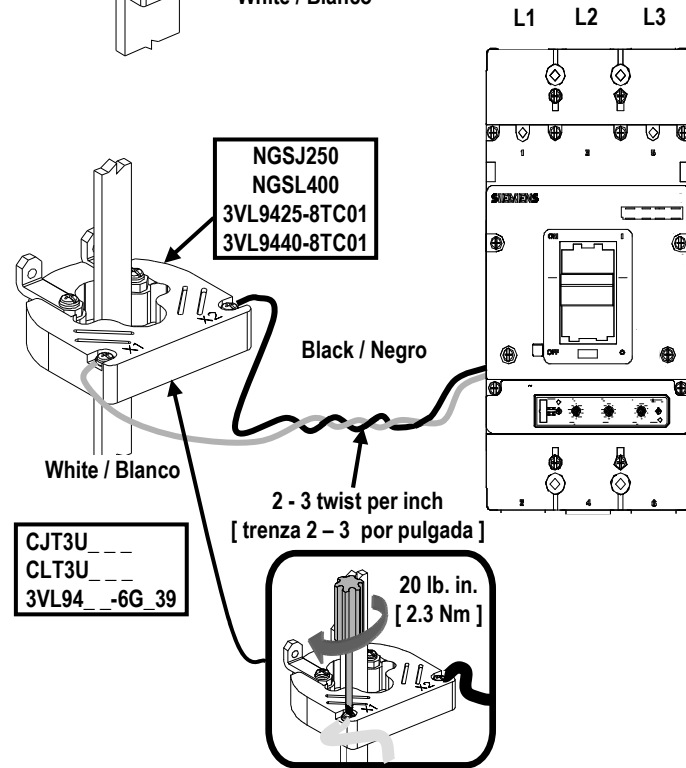
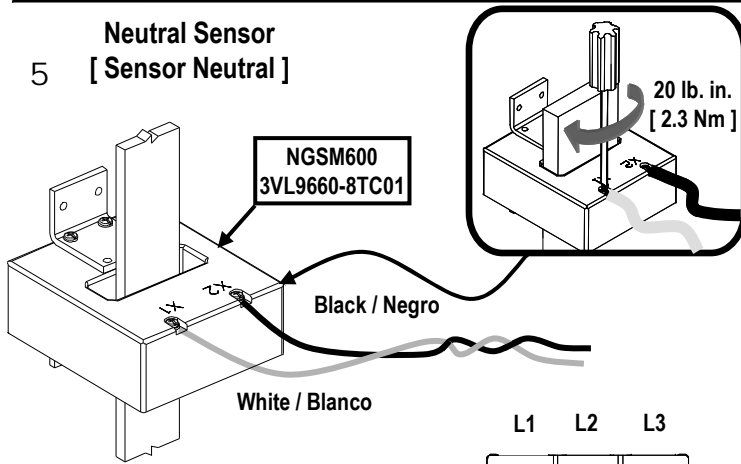
Desenergice totalmente antes de instalar o darle servicio.  
Reemplace todas las barreras y cubiertas antes de energizar el interruptor.

# Danger

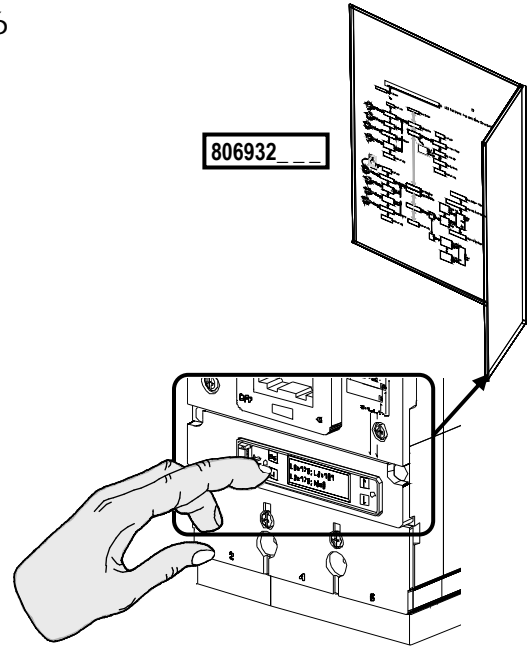
**Tension dangereuse.**  
**Danger de mort ou risque de blessures graves.**

Couper l'alimentation de l'appareil et barrer avant de travailler.  
Remplacez tous les couverts avant que l'alimentation de pouvoir soit alimenté.

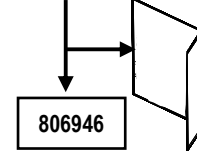
## 5 Neutral Sensor [Sensor Neutral]



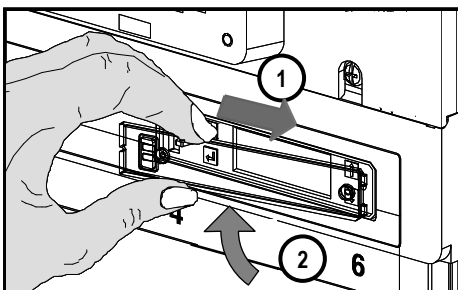
## 6



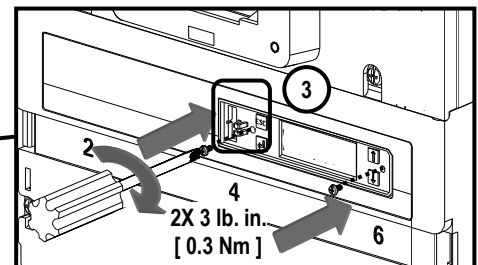
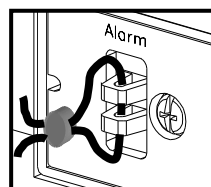
## Ground Fault Test Procedure Procedimiento para prueba de falla a tierra



## 7

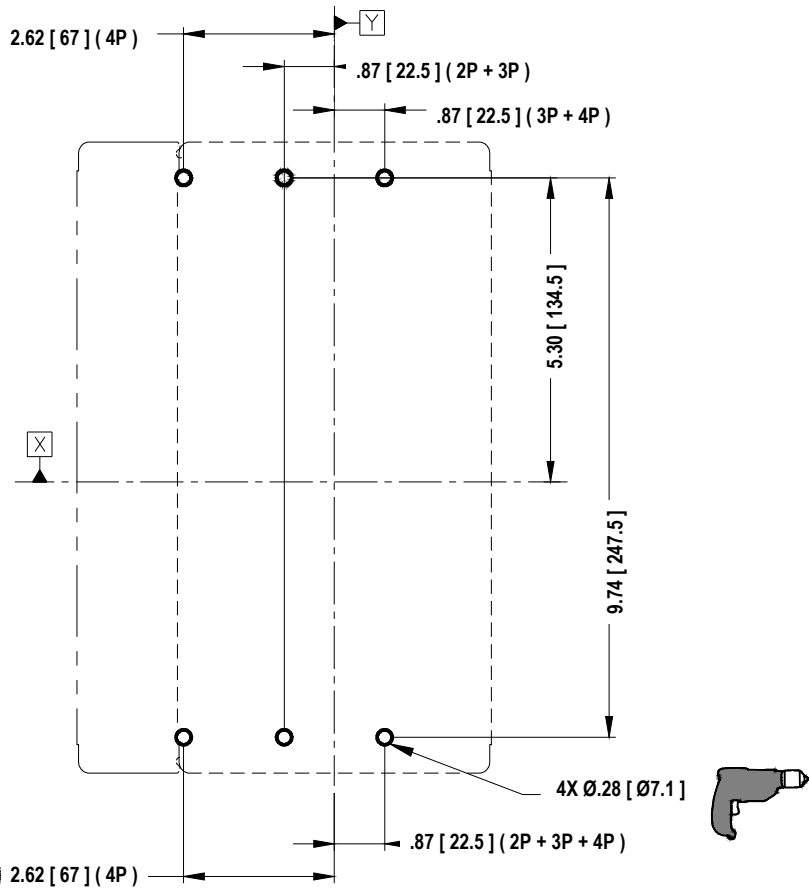
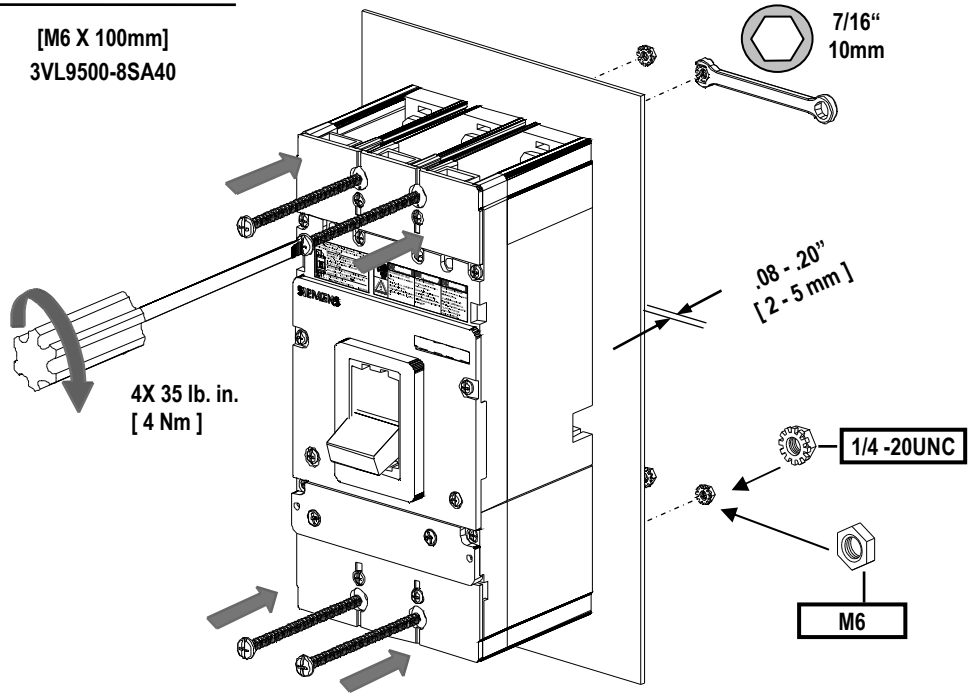


## Option : Opción :



1

U.S. Cat. No.	Euro Order No.
1/4 - 20UNC X 4.0 MSKL4	[M6 X 100mm] 3VL9500-8SA40







**Danger**

**Hazardous Voltage.**  
**Will cause death or serious injury.**

Turn off and lock out all power supplying this device before working on this device.  
Replace all covers before power supplying this device is turned on.



**Peligro**

**Tensión peligrosa.**  
**Puede causar la muerte o lesiones graves.**

Desenergice totalmente antes de instalar o darle servicio.  
Reemplace todas las barreras y cubiertas antes de energizar el interruptor.



**Danger**

**Tension dangereuse.**  
**Danger de mort ou risque de blessures graves.**

Couper l'alimentation de l'appareil et barrer avant de travailler.  
Remplacez tous les couverts avant que l'alimentation de pouvoir soit alimenté.

**Not Vented**  
**[ No Ventilados ]**

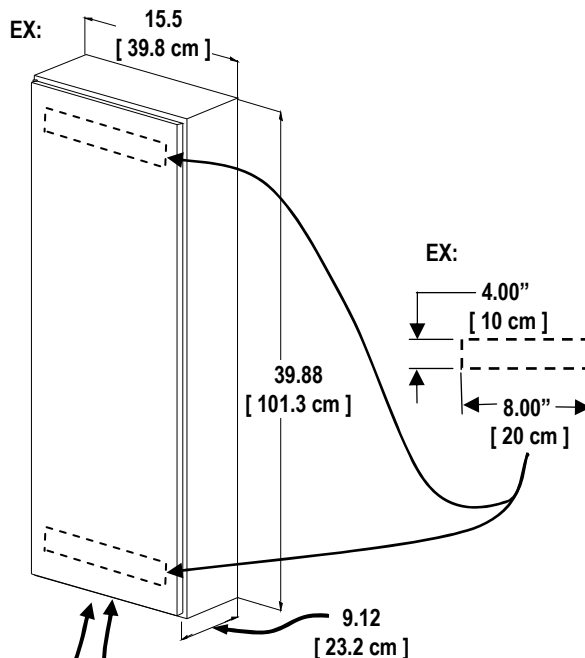
**Cat. No.**

- NJG \_\_\_\_\_
- HJG \_\_\_\_\_
- LJG \_\_\_\_\_
- NLG \_\_\_\_\_
- HLG \_\_\_\_\_
- LLG \_\_\_\_\_
- NJX \_\_\_\_\_
- HJX \_\_\_\_\_
- LJX \_\_\_\_\_
- NLX \_\_\_\_\_
- HLX \_\_\_\_\_
- LLX \_\_\_\_\_
- NLK \_\_\_\_\_
- HLK \_\_\_\_\_
- LLK \_\_\_\_\_
- H\_R \_\_\_\_\_
- L\_R \_\_\_\_\_

**Vented**  
**[ Ventilados ]**

**Cat. No.**

- NJH \_\_\_\_\_
- HLH \_\_\_\_\_
- LJH \_\_\_\_\_
- NLH \_\_\_\_\_
- HLH \_\_\_\_\_
- LLH \_\_\_\_\_
- NJY \_\_\_\_\_
- HJY \_\_\_\_\_
- LJY \_\_\_\_\_
- NLY \_\_\_\_\_
- HLY \_\_\_\_\_
- LLY \_\_\_\_\_
- NLW \_\_\_\_\_
- HLW \_\_\_\_\_
- LLW \_\_\_\_\_



JG

Suitable for continuous operation at 100% of rating only in a ventilated enclosure or cubicle space 39.88 by 15.5 by 9.12 in. with ventilated openings 4 by 8 in. at top and bottom. Openings should be located at least 9 inches from the end of the breaker.

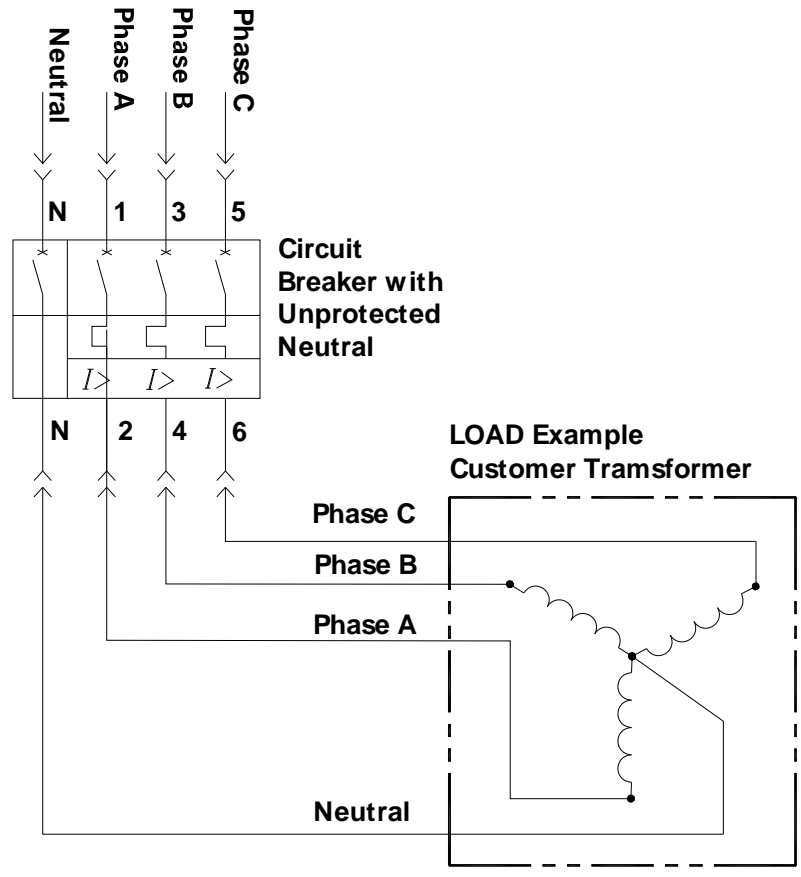
Apto para operar a 100% intensidad continua si es usado solamente en cajas cerradas o cubículos ventilados de 101.3 por 39.4 por 23.2 cm. Los orificios de ventilación son de 10.0 por 20.0 cm. en la parte de abajo y de arriba de las cajas cerradas. Los orificios deben estar localizados al menos a 23 cm. de los bordes del interruptor.

LG

Suitable for continuous operation at 100% of rating only in a ventilated enclosure or cubicle space 46 by 22.38 by 9.13 in. with ventilated openings 9.5 by 4.5 in. at top and bottom. Openings should be located at least 9 inches from the end of the breaker.

Apto para operar a 100% intensidad continua si es usado solamente en cajas cerradas o cubículos ventilados de 116.8 por 56.8 por 23.2 cm. Los orificios de ventilación son de 24.0 por 11.5 cm. en la parte de abajo y de arriba de las cajas cerradas. Los orificios deben estar localizados al menos a 23 cm. de los bordes del interruptor.

General Information  
 [ Información General ]  
 4 Pole Application example  
 [ Aplicación ejemplo de 4 polos ]



**Bestell-Nr. / Order No.:** 3ZX1012-0VL41-0AA3      **For Support in Europe refer to :**      **GWA 4NEB 174 6943-20 DS 06**  
 Internet: [www.siemens.de/lowvoltage/technical-assistance](http://www.siemens.de/lowvoltage/technical-assistance)

**Technical Support:**      Toll Free: 1-800-241-4453      Internet: <http://www.usa.siemens.com/powerdistribution>