

# SIEMENS

## PowerMod™ Indoor Meter Module

Catalog Number

**MM51125J, MM51125RJ, MM51125RJB**

Enclosure

**Type 1**

### Ratings:

Main Bus Rating: 1200 Amps.  
120/240 Volts AC, 1 Phase, 3 Wire.  
208Y/120 Volts AC (5th jaw may be required).  
See adjacent label for Short Circuit Current Rating.

### Meter Socket Rating:

125 Amps. Continuous

### Branch Rating:

125 Amps. Max. See Breaker Ratings

### Suitable For Use As Service

**Equipment** when used in combination with Siemens Modular Terminal Box Series WMTB, WTB, WET, or Murray Tap Box Series DTB\_W and no more than six main disconnecting means are provided.

For installation by a qualified person, in accordance with all electrical codes and/or the National Electrical Code ©.

### Terminals:

#### Use Copper or Aluminum

Wire at all panel terminals.  
Suitable for 60°/75°C Conductors.

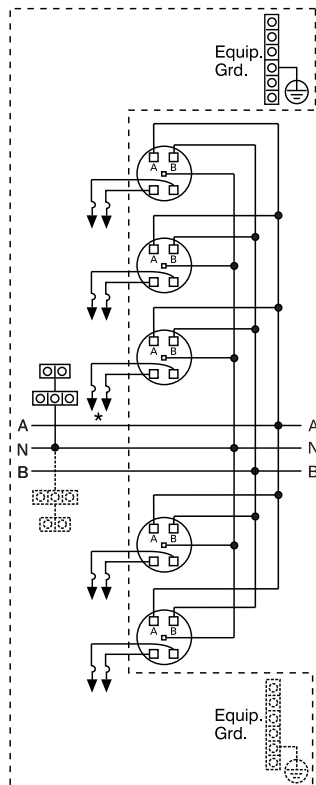
See breaker markings for wire size and torque requirements.

Neutral Terminal and Ground Terminal  
Wire Size #4-2/0 AWG.  
Torque to 50 Lb.-ins.

### General Information:

See enclosed instruction sheet for information on mounting units.

Circuit breaker overload trip position is indicated by handle position midway between ON and OFF. To reset, move handle to OFF position then turn ON.



QP Lug Adapter 4/0: Catalog No. WM40LA  
(\* not for use in breaker position directly over crossbus when wire exits to TOP; Maximum 2 adapters used above crossbus when wire exits to BOTTOM. Limit 4 adapters used in one enclosure.

Siemens Industry, Inc. Peachtree Corners, Georgia U.S.A. **DH1** 40900548 0101 Rev.00

© The National Electrical Code is a registered trademark of the National Fire Protection Association.  
© 2022 Copyright Siemens Industry, Inc.

# SIEMENS

**Short Circuit Current Rating:** (Wattour meter not included in short circuit current rating). This panelboard has a maximum short circuit current rating of 100,000 Amps RMS symmetrical, 120/240 V~ maximum. The actual rating is dependent on the branch breakers installed in this panelboard and the main disconnect, if any, installed ahead of this panelboard. The correct branch breakers and main/branch breaker series combinations to be used for various short circuit current levels are listed in the tabulation below. Any circuit breaker installed, replaced, or added in this panelboard must be manufactured by Siemens and must be of the correct Type as indicated in the tabulation below.

MAIN DISCONNECT When the main protecting the system is a (Siemens Breaker Type)	BRANCH BREAKER And the branch breakers installed are Siemens type	Then the maximum short circuit current rating in RMS symmetrical Amperes, 120/240 V~ maximum is
NONE USED	QP	10,000
	HQP	22,000
NDGA, NFGA, or Class J, T, R, or L Fuses	QPH	
JXD2(-A), JD6(-A), JXD6(-A), LD6(-A), LXD6(-A), MD6, MXD6, ND6, SND6-B, NXD6, NJJA, NJGA, NLGB, NMG, NNG, NPG, PD6, SPD6-B, PXD6, RD6, FXD6, MMAE, MMNAE	QPH	65,000
FD6, FXD6	QP	
MFAS	QP	
MJAS, MLAS	QPH	85,000
NONE USED	HQPH	
HFD6, HFXD6, HFAS, MFAE, HFAE, or 300V Class T Fuses - 200A Max	QP	100,000
HDGA, HFGA, HFAS, or 300V Class T Fuses - 600A Max	QPH	

PM125en-RevG

**Warning:** This equipment has been designed for use only with circuit breakers listed above. Use of other circuit breakers in this equipment could result in personal injury or property damage and may void the warranty.

**For use with other PowerMod™ modular metering products.**

**Important:** Do not allow petroleum based (hydrocarbon) sprays, chemicals, solvents or any paint to contact interior components. Petroleum based chemicals can cause degradation of electrical insulating materials.

Siemens Industry, Inc. Peachtree Corners, Georgia U.S.A.

© 2022 Copyright Siemens Industry, Inc.

Connect Modules Using:		Catalog Number / Torque
QuickConnect	QC1 (1ph) or QC4 (3ph)	400-440 lb-in (35-36 ft.-lb.) Torque

### Accessories:

Description . . . . .	Catalog No.
Horn By-Pass Mod . . . . .	ECMFH
5th Jaw Mod. . . . .	ECMF5
Insulated 5th Jaw . . . . .	ECMF5i
Meter Cover Plate . . . . .	ECOP3
End Closure Plate . . . . .	WMEP
Meter Socket . . . . .	ECMFS
Quick Phase Strap . . . . .	ECMFPS
125A Breaker Mounting . . . . .	ECMFBM1
225A Breaker Mounting . . . . .	ECMFBM2
Breaker Cover Repl . . . . .	ECBC
Breaker HoldDown . . . . .	ECMBR2
Ringless Conversion Kit . . . . .	ECMMRLCK
Meter Cover, Ring Type . . . . .	ECMFMC
Meter Cover, Ringless . . . . .	ECMFMCr
Bottom Pull Cover . . . . .	ECMFC
Load Cover Screws . . . . .	ECMFCS
Parts Kit . . . . .	ECMFPK
Ground/Ntl Bar Kit . . . . .	ECMFGN125
Neutral Bar Kit 225A . . . . .	ECMFN225
KO Plate with Knockouts . . . . .	ECMMKOP
KO Plate w/o Knockouts . . . . .	ECMMNKOP
Mounting Tabs (2) . . . . .	ECMFTAB
QuickRoll Wheel Clip . . . . .	ECMFWLCLIP
Mounting Clip . . . . .	MMCLIP
Wall Mounting Rail (60") . . . . .	MMZR60
Mounting Rail . . . . .	MMRAIL
4/0 QP Lug Adapter . . . . .	WM40LA

4740083 Rev.01

4749931 Rev.04