

Catalog Numbers, Ratings and Features

Catalog No.	Max. Branch Rating	Main Bus, 1200A Max.	Breaker Style	Meter Socket Cover	Meter Socket Type/ Continuous Rating	No. of Jaws	Bypass Type	Neutral Lug (Qty) and Wire Range	Equip Ground Lug (Qty) and Wire Range
WML43100RJ	100A	3 Phase	3 Pole QP/MP-T	Ringless	HQ-7S / 100A	7	Lever	(4) #4-2/0 AWG	(5) #4-2/0 AWG

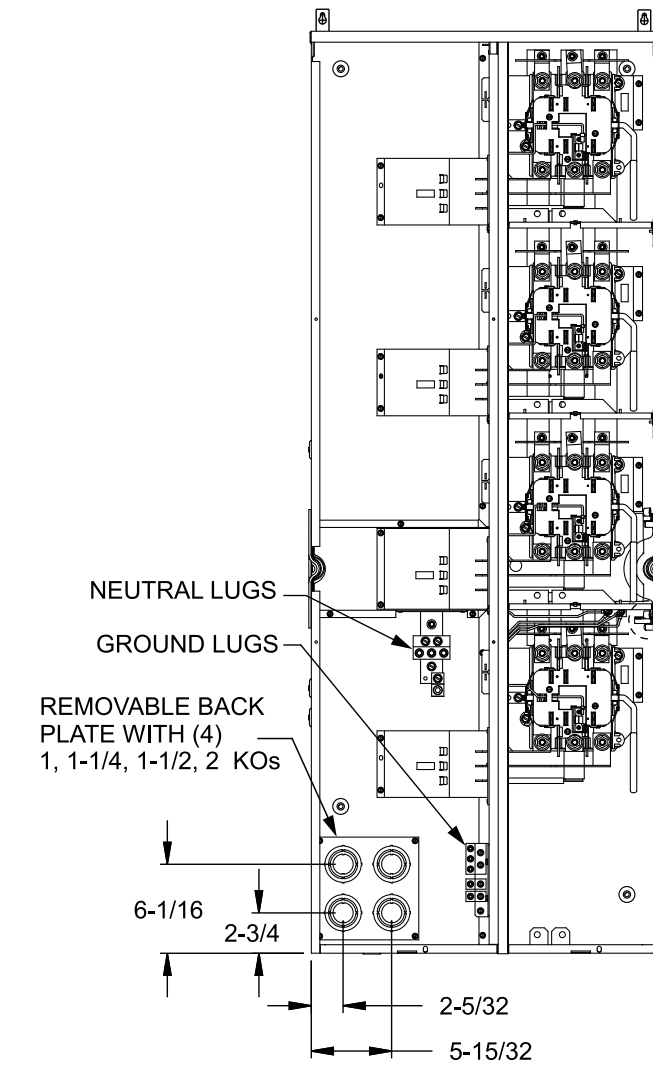
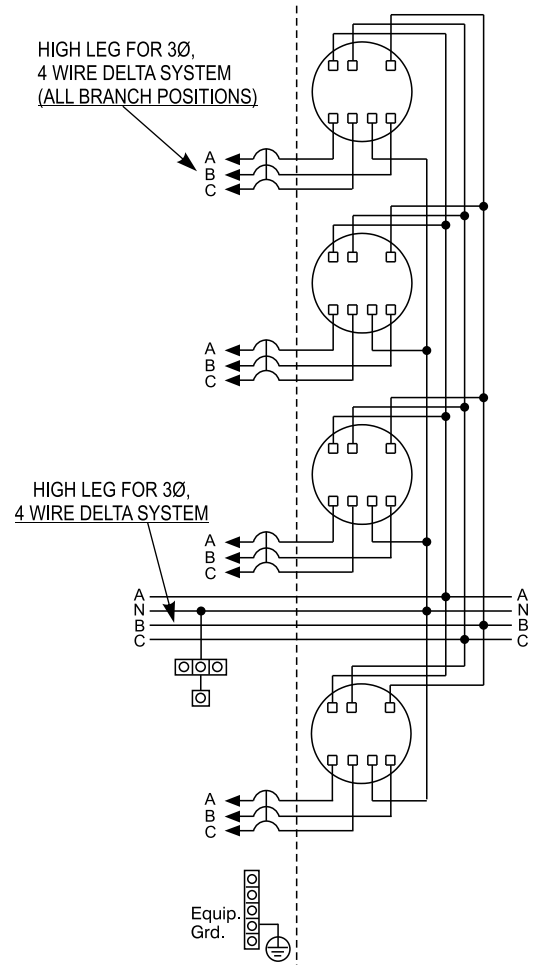
- TYPE 3R OUTDOOR ENCLOSURE
- 208Y/120 VOLTS AC, 3 PHASE, 4 WIRE
- 240/120 VOLTS AC, 3 PHASE, 4 WIRE DELTA
- 3 PHASE INPUT, 3 PHASE OUTPUT
- MOUNTING RAILS AND ADJUSTABLE BRACKETS FOR SECURE MOUNTING

Additional Modules and Accessories

FOR USE WITH: Module Description	Siemens Series#
Main Breakers	WB(M), WEB(M), WXB, BFT
Switches	WMP, WS, WES, WXS
Tap/Terminal Boxes	WTB, WET, WT_PU, WTBN, WBT
Pull Boxes	WMMB
Meter Module	(W)MM, (W)MT, (W)ML, (W)MK, (W)MLZ(F), (W)MN
Meter Combinations	WC, WCL, WCT,
Extension Box	WSP, WSPD
Bussed Elbow	BE, WELB

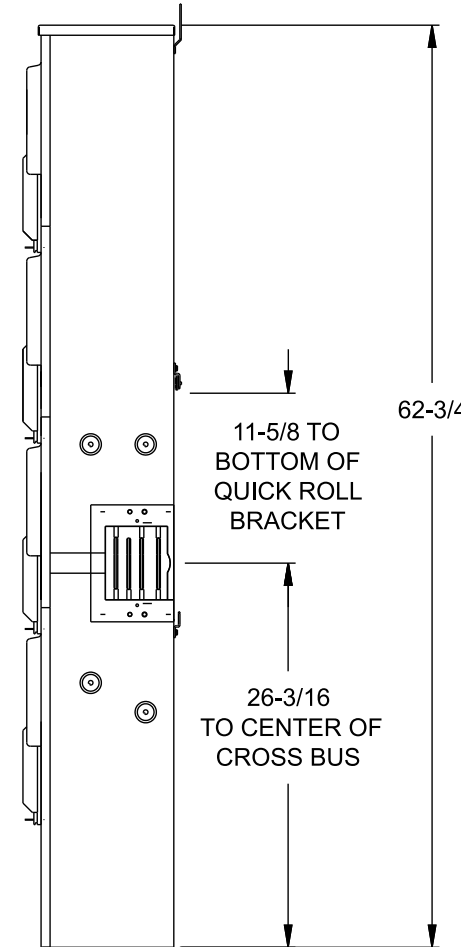
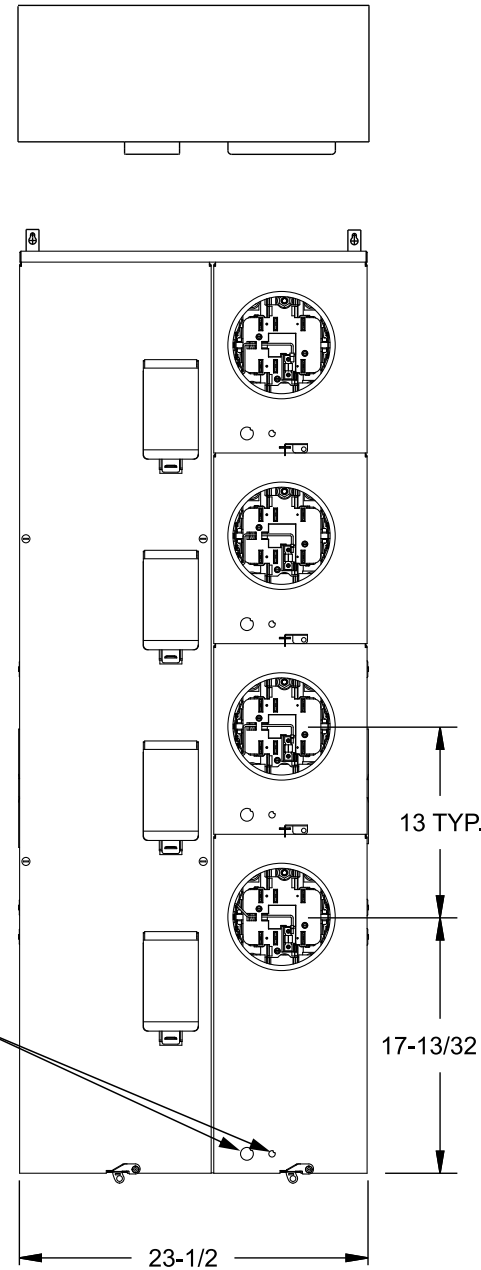
Connect Modules Using:	Catalog Number / Torque
QuickConnect, 3 Phase	QC4, Torque 400-440 lb-in (35-36 ft.-lb.)

Schematic

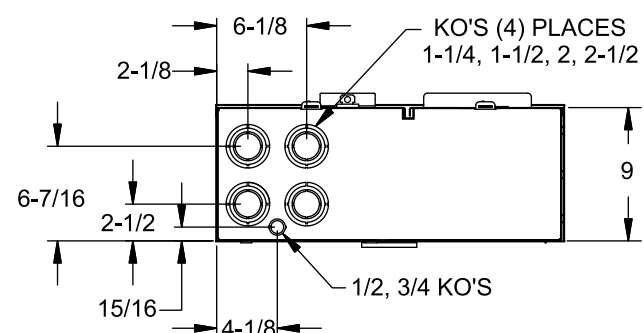
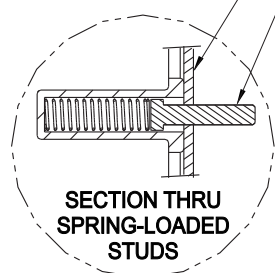


SPRING-LOADED STUDS
SEE DETAIL

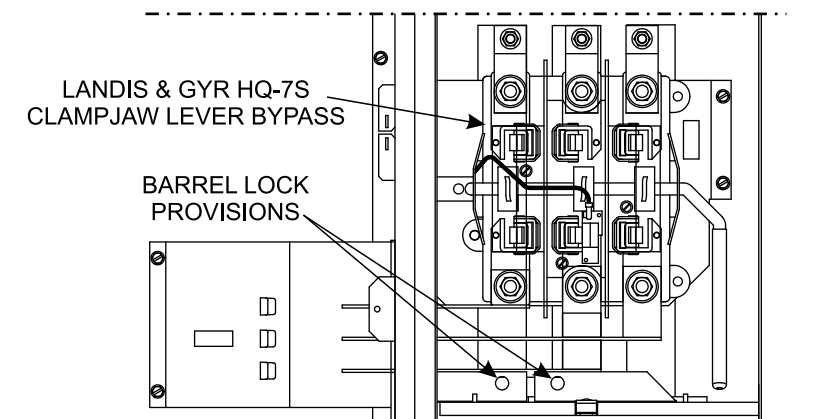
BARREL LOCK PROVISIONS



#10-32 x 7/8 SCREWS
ENCLOSURE WALL



Enlarged Socket Detail



© 2018 Copyright Siemens Industry, Inc.

SIEMENS
Siemens Industry, Inc.

PowerMod™ Modular Metering

Description:
**Lever Bypass 4 Position 100A Tenant
3in-3out Commercial Metering Module**

KAM 3/28/18 DO NOT SCALE DRAWING Dwg No: **WML43100RJ**