

SIEMENS

Rainproof Meter Module

Catalog Number
WC2040B2T7J, WC2040B2T7RJ, WC2040B2T7RJ

Enclosure
Type 3R

Ratings: Main Bus Rating: 1200 Amps.
208Y/120 Volts AC, 3 Phase, 4 Wire
See adjacent label for Short Circuit Current Rating.

Meter Socket Rating: 200 Amps Continuous

Panelboard Rating:
MB1: 150 Amps Max. **MB2:** 100 Amps Max.
See Breaker markings for wire sizes and torques.

Connect Modules Using:

QuickConnect Catalog No: QC4
Torque: 400-440 lb-in (35-36 ft.-lb.)
Single Bolt Joint Catalog No: SBJ4
Torque: 400-480 lb-in (35-40 ft.-lb.)

Accessories	Cat. No.
1" Filler Plate	EQCF3
SubFeed Lug Kit	ECLK2125
SubFeed Lug Kit	ECLK2225
Neutral Lug Kit	ECLK1-2
Neutral Lug Kit	ECLK2
Quick Phase Strap	ECMFPS
Horn By-Pass	ECMFH
5th Jaw Mod	ECMF5
Insulated 5th Jaw	ECMF5i
End Closure Plate	WMEP
Arc Flash Label	ECAFL

IMPORTANT - for use with:

Module Siemens Series#
Main Breakers (W)MC, WB, WEB, WXB
Switches WMP, WMS, WS, WES
Tap/Terminal Boxes WMTB, WTB, WET, WT_PU
Pull Boxes WMMB
Meter Module (W)MM, WxMM, (W)MT,
(W)ML, (W)MK
Meter Combinations WC, WCL, WCT
Extension Box WMEX, WSP, WSPD
Bussed Elbow BE

WARNING: This meter module may be used on a 240/120 Volts AC, 3 Phase, 4 Wire Delta system when none of the meter sockets in this module are connected to B Phase. B Phase will be high leg on 3 Phase 4 Wire Delta systems.

Suitable For Use As Service Equipment when used in combination with Siemens Modular Terminal Box Series WMTB, WTB, or WET and no more than six main disconnecting means are provided.

For installation by a qualified person, in accordance with all local electrical codes and/or the National Electrical Code®.

General Information: See enclosed instruction sheet for information on mounting units. Circuit breaker overload trip position is indicated by handle position midway between ON and OFF. To reset, move handle to OFF position then turn ON.

Important: Do not allow petroleum based (hydrocarbon) sprays, chemicals, solvents or any paint to contact interior components. Petroleum based chemicals can cause degradation of electrical insulating materials.

Siemens Industry, Inc. Norcross, Georgia U.S.A.

DH1

40900795 0101 Rev.A

© The National Electrical Code is a registered trademark of the National Fire Protection Association.
© 2013 Copyright Siemens Industry, Inc.

SIEMENS

Terminals:

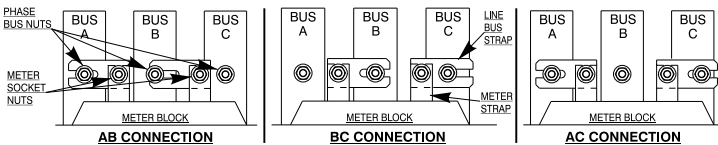
Use Copper or Aluminum Wire at all panel terminals. Suitable for 60°/75°C Conductors.

Rephasing Instructions

Instrucciones para reajuste de fase

Factory installed phasing is AC. The meter socket can be rephased AB, BC, or AC by repositioning line bus straps. If a different phase arrangement is needed, loosen hex nuts and reconnect one or both line bus straps, then retighten the hex nuts to 60-65 lb.-in. Tighten hex nut at meter socket first, then tighten hex nut on vertical phase bus.

Las fases AC instaladas en fábrica de arriba hacia abajo. Cada receptáculo del medidor puede colocarse en fase AB, BC o AC reposicionando las correas del bus de la línea. Si se necesita una disposición de fase distinta, afloje las tuercas hexagonales y reconecte una o ambas correas del bus de la línea, luego vuelva a apretar las tuercas hexagonales a 60-65 libras-pulgada. Apriete primero la tuerca hexagonal en el receptáculo del medidor, luego apriete la tuerca hexagonal en el bus de fase vertical.



Siemens Industry, Inc. Norcross, Georgia U.S.A.

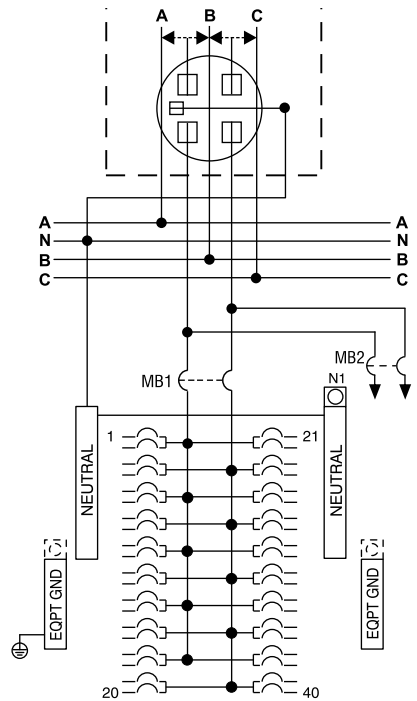
DH1

40900799 0301 Rev.A

© 2013 Copyright Siemens Industry, Inc.

RES_WB3-1

Terminal	Wire Size	Torque
N1	2/0 -#4 AWG	110 lb-in
Branch Breaker Terminals	See Markings on Breaker	
Nt/Equip GND	#10 - #14 CU #10 - #12 AL #8 #6 - #4	20 lb-in 20 lb-in 25 lb-in 35 lb-in
Ground Conductors Only	(2) or (3) #14 AWG (2) #12-#10 AWG	20 lb-in 20 lb-in
Ground Bar/Neutral Lug Kits		
ECLK1-2	2/0 -#2 AWG	45 lb-in
ECLK2	2/0 -#4 AWG	135 lb-in



SIEMENS

Short Circuit Current Rating: (Wathour meter not included in short circuit current rating).

This panelboard has a maximum short circuit current rating of 100,000 Amps RMS symmetrical, 240 V~ maximum. The actual rating is dependent on the main disconnect, panelboard main, branch circuit breakers and auxiliary main combinations used as listed below. Any circuit breaker installed, replaced, or added in this panelboard must be manufactured by Siemens and must be of the correct Type as indicated in the tabulation below.

MAIN BREAKER	PANELBOARD MAIN (MB1)	BRANCH BREAKER	Then the maximum short circuit current rating in RMS symmetrical Amperes, 240 V~ maximum is	AUXILIARY MAIN (MB2)
When the main protecting the system is a	And the installed main breaker in this panelboard is a Siemens Type	And the branch breakers installed are Siemens type		And the installed auxiliary main is a Siemens Type
Siemens Breaker Types JXD2(-A), JD6(-A), JXD6(-A), LD6(-A), LXD6(-A), MD6, MXD6, ND6, NXD6, SND6-B, PD6, PXD6, SPD6-B, HPD6, HPXD6, SHPD6-B, RD6, RXD6	HFD6, HFXD6	QP, QPH, HQP, QT, QAF, QAFH, QAF2, QAF2H, HQAF2, QPF, QPFH, QE, QEH, QNR, QNRH, HQNR	65,000	HED4
NONE USED				
Siemens Breaker Types HJD6(-A), HJXD6(-A), HLD6(-A), HLXD6(-A), HMD6, HMXD6, HND6, HNXD6, SHND6-B, HPD6, HPXD6, SHPD6-B, HRD6, HRXD6, or Class J, T, R, or L Fuses	HFD6, HFXD6	QP, QPH, HQP, QT, QAF, QAFH, QAF2, QAF2H, HQAF2, QPF, QPFH, QE, QEH	100,000	

Warning: This equipment has been designed for use only with circuit breakers listed above. Use of other circuit breakers in this equipment could result in personal injury or property damage and may void the warranty.

Siemens Industry, Inc. Norcross, Georgia U.S.A.

DH1

40900800 0201 Rev.01

© 2019 Copyright Siemens Industry, Inc.