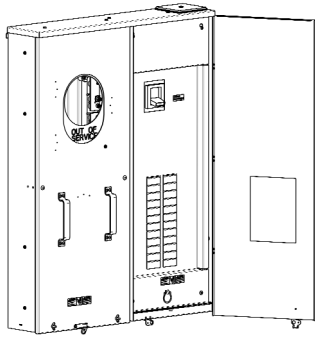
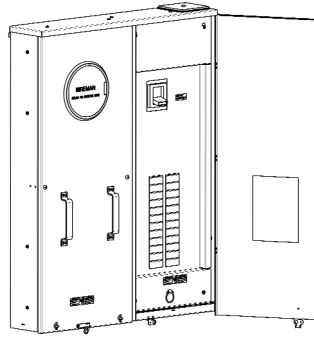


400A Meter Load Center Combinations

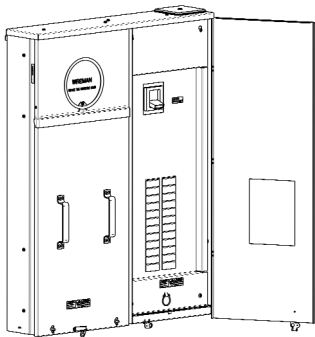
24 Space, 42 Circuit



Bolt-on, Underground Feed,
Surface Mount



Lever Bypass, Underground Feed,
Surface Mount



Plug-In, Underground Feed,
Surface Mount



Features

- 400A factory-installed main breaker
- 22,000 AIC rating
- UL Listed for use only as service entrance equipment
- Meets EUSERC requirements
- Underground feed
- Available plug-in, lever bypass, or bolt-on style meter socket
- Side-hinged, easily removable load center door
- Surface mounting only
- Uses HD type hub

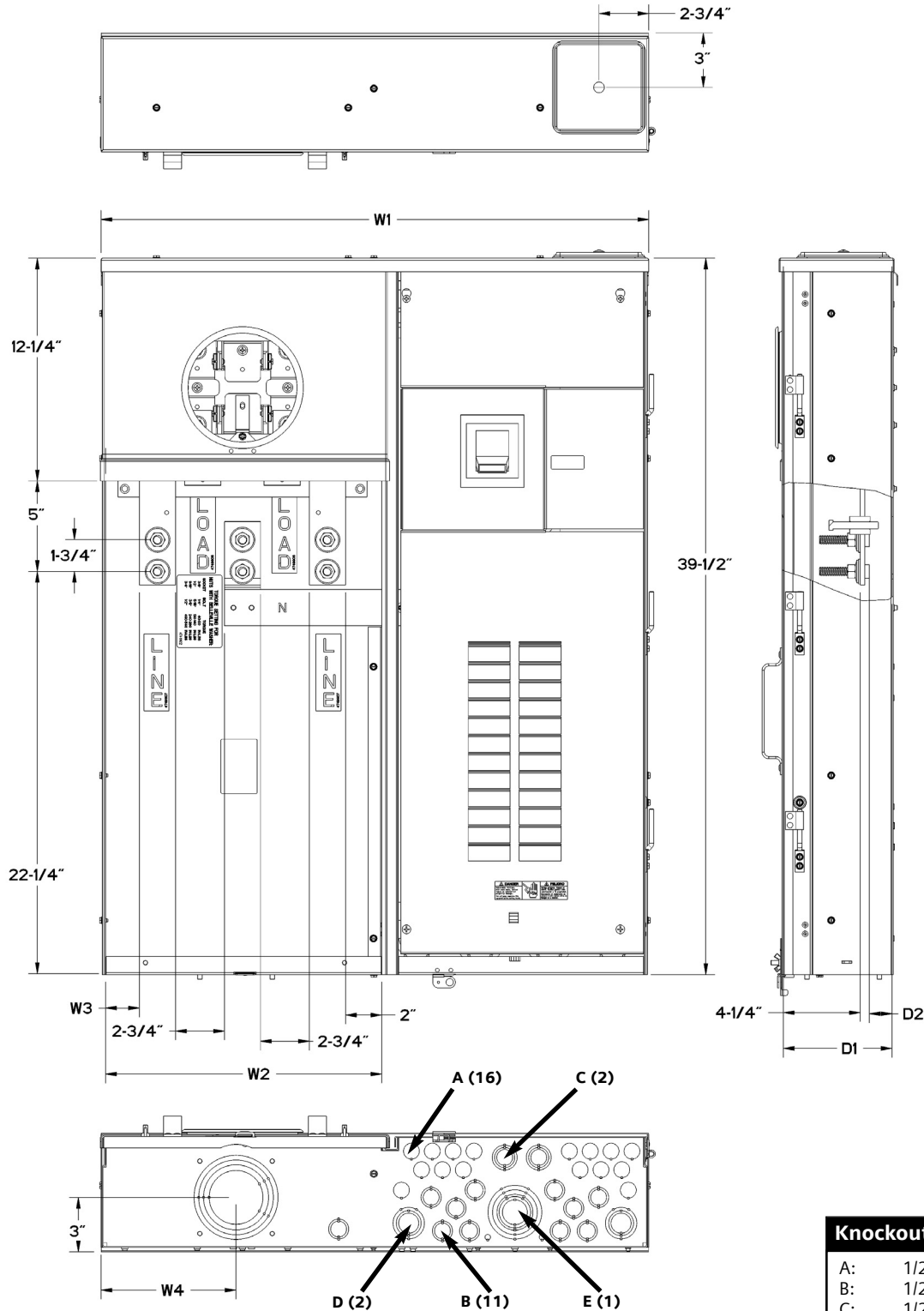
Technical Specifications

Amps Max.	Socket Rating	Socket Type	Bypass Type	No. of Sp.	No. of Cir.	Feed	Catalog Number	Main Type	Mounting	Flush Rail Conversion Kit
400	320	Plug-In	None	24	42	UG	MC2442B1400SD	JXD	Surface	ECFRK1
400	320	Lever Bypass	Lever	24	42	UG	MC2442B1400SDL	JXD	Surface	ECFRK1
400	320	Bolt-On	Jumper	24	42	UG	MC2442B1400SDB	JXD	Surface	ECFRK1

fastfax

SIEMENS

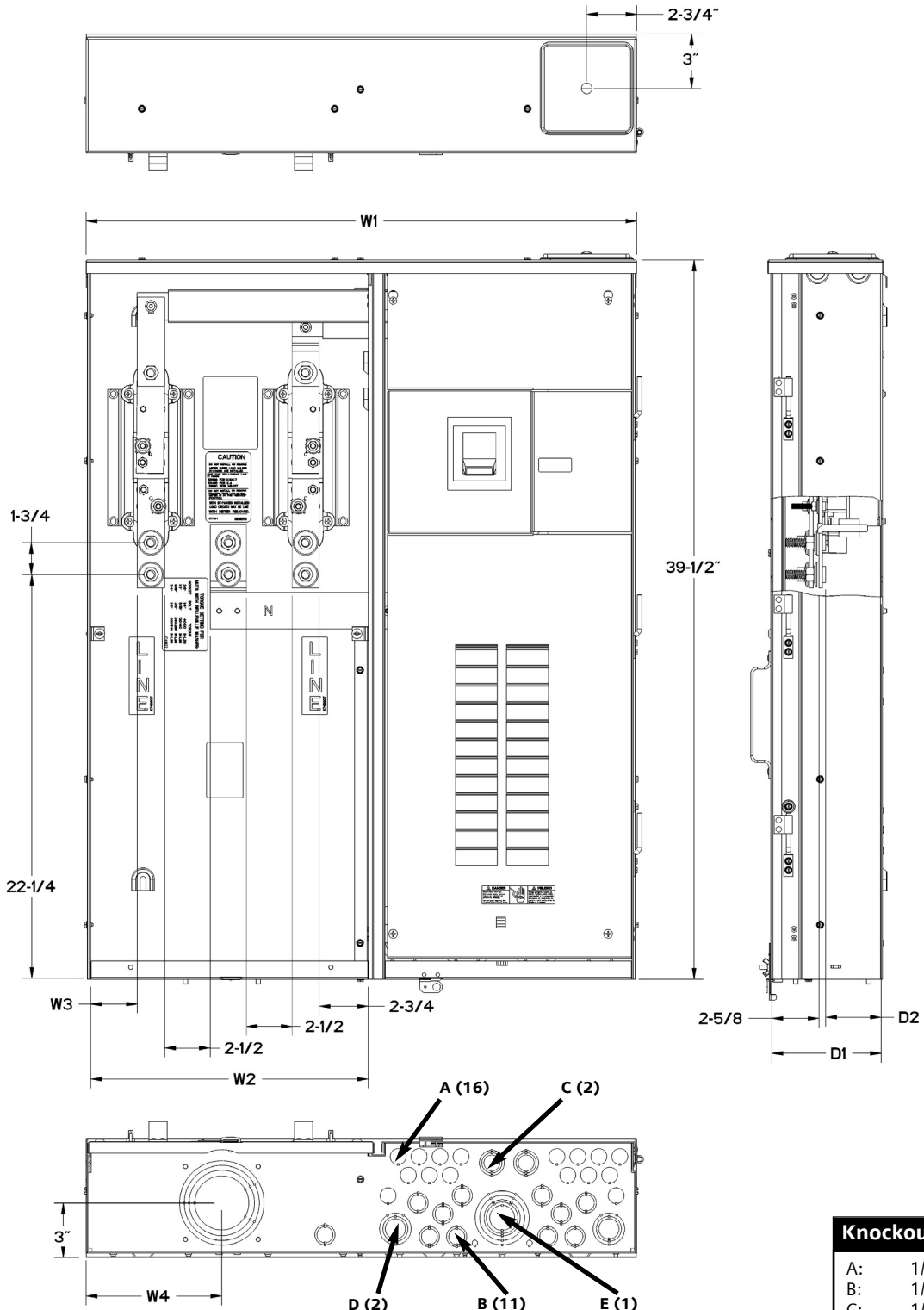
Diagram MC2442B1400SD



Knockouts (inches)	
A:	1/2
B:	1/2, 3/4
C:	1/2, 3/4, 1
D:	3/4, 1, 1-1/4
E:	1, 1-1/4, 1-1/2, 2, 2-1/2

Dimensions (inches)						
Catalog Number	W1	W2	W3	W4	D1	D2
MC2442B1400SD	30-1/4	15-1/4	3	7-1/2	6	1-1/4
MC2442B1400SDL	30-1/4	15-1/4	3	7-1/2	6	2
MC2442B1400SDB	30-1/4	15-1/4	3	7-1/2	6	3-5/8

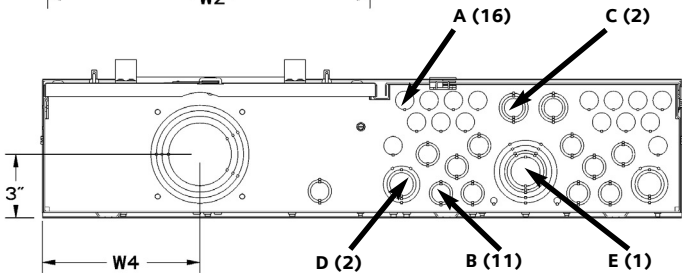
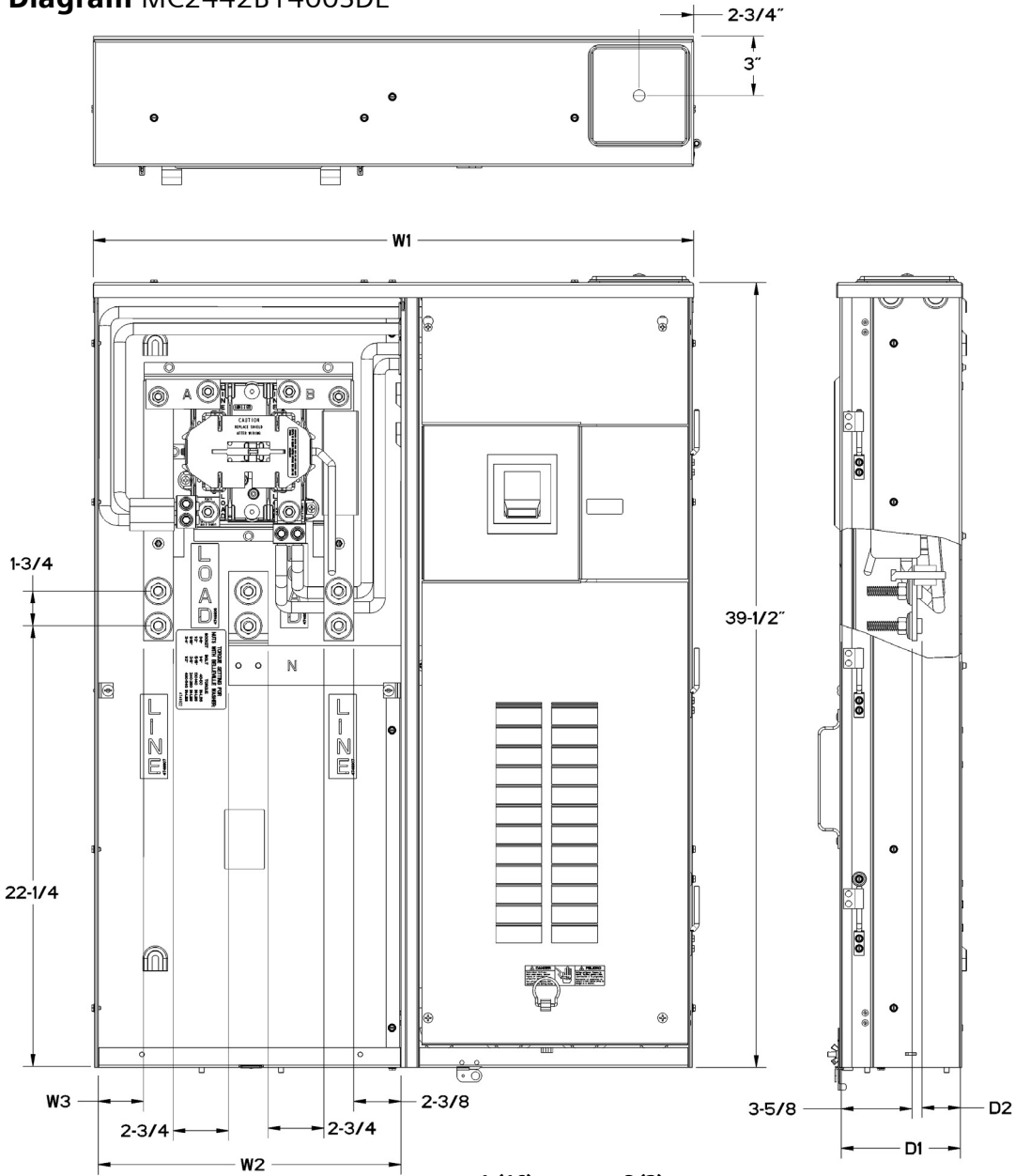
Diagram MC2442B1400SDB



Knockouts (inches)	
A:	1/2
B:	1/2, 3/4
C:	1/2, 3/4, 1
D:	3/4, 1, 1-1/4
E:	1, 1-1/4, 1-1/2, 2, 2-1/2

Dimensions (inches)						
Catalog Number	W1	W2	W3	W4	D1	D2
MC2442B1400SD	30-1/4	15-1/4	3	7-1/2	6	1-1/4
MC2442B1400SDL	30-1/4	15-1/4	3	7-1/2	6	2
MC2442B1400SDB	30-1/4	15-1/4	3	7-1/2	6	3-5/8

Diagram MC2442B1400SDL



Knockouts (inches)	
A:	1/2
B:	1/2, 3/4
C:	1/2, 3/4, 1
D:	3/4, 1, 1-1/4
E:	1, 1-1/4, 1-1/2, 2, 2-1/2

Dimensions (inches)						
Catalog Number	W1	W2	W3	W4	D1	D2
MC2442B1400SD	30-1/4	15-1/4	3	7-1/2	6	1-1/4
MC2442B1400SDL	30-1/4	15-1/4	3	7-1/2	6	2
MC2442B1400SDB	30-1/4	15-1/4	3	7-1/2	6	3-5/8