

Installation Instructions

Model REMBOX2-MP/REMBOX4-MP

REMBOX Mounting Plate

INTRODUCTION

The REMBOX2-MP and REMBOX4-MP Mounting Plates are used in REMBOX2 and REMBOX4 enclosures respectively for mounting OCM-16 and SIM-16 modules. Up to 4 OCM-16 or SIM-16 modules can be mounted on a REMBOX2-MP; up to 8 OCM-16 or SIM-16 modules can be mounted on a REMBOX4-MP.

INSTALLATION



Remove all system power before installation, first battery then AC. (To power up, connect the AC first, then the battery.)

Refer to Figure 1 on page 2.

1. Holding the REMBOX2-MP/REMBOX4-MP in your hands, place the four ¼" holes on the REMBOX2-MP/REMBOX4-MP Mounting Plate over the four threaded studs in the bottom of the enclosure.
2. Secure in place with the #8-32 nuts supplied.
3. Place the mounting holes in the OCM-16 and/or SIM-16 modules over the mounting holes on the REMBOX-MP.
4. Secure the OCM-16 and/or SIM-16 modules to the REMBOX-MP using the screws provided.

COMPATIBILITY

The REMBOX2-MP can only be used in a REMBOX2 enclosure.

The REMBOX4-MP can only be used in a REMBOX4 enclosure.

SPECIFICATIONS

REMBOX2 Mounting Plate: 11.25"W x 9"H

REMBOX4 Mounting Plate: 20.875"W x 9"H

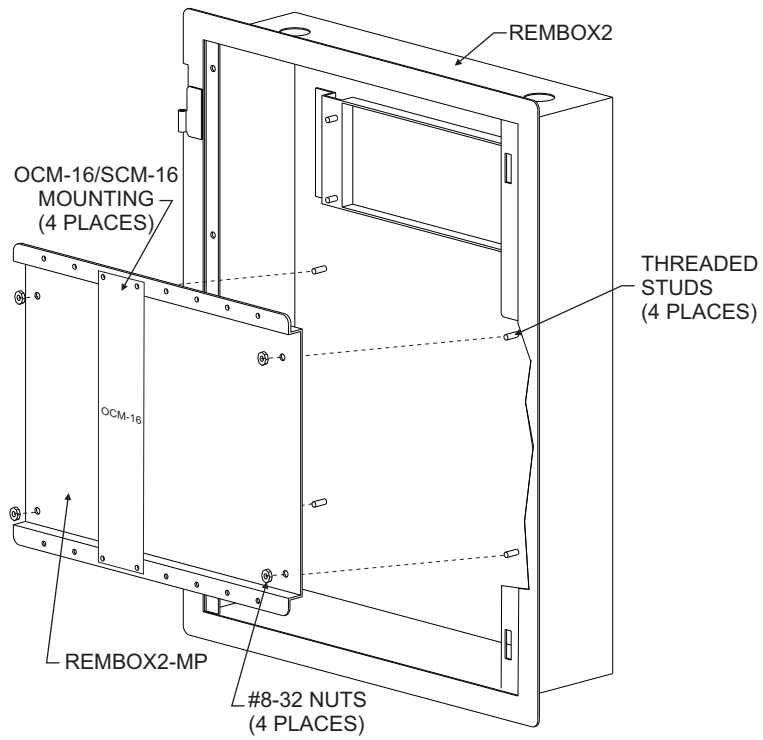


Figure 1
Typical REMBOX-MP Installation