

Systems Integration

Desigo Fire Safety Modular (DFSM) Siemens FireFinder XLS Driver on the PXC Series Platform

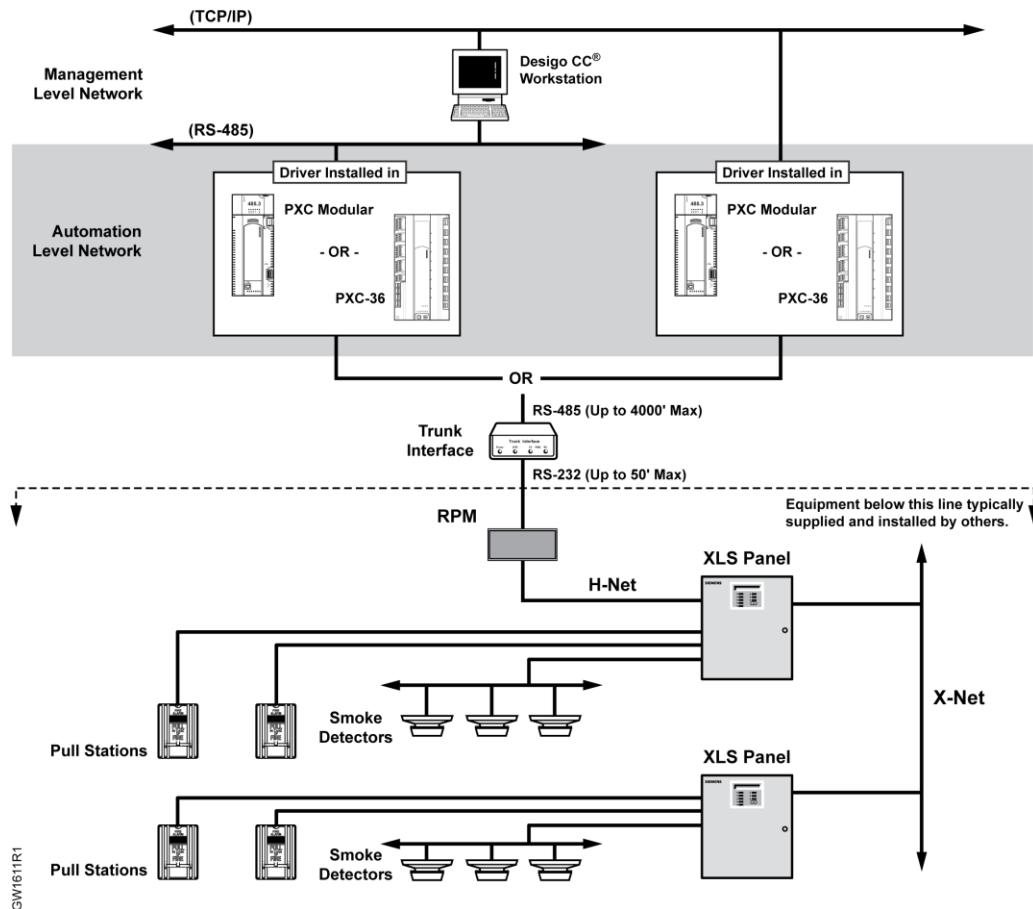


Figure 1: Typical Siemens FireFinder XLS and APOGEE Automation System Configuration (Firmware Revision 2.x).

Notes on System Architecture

The Siemens FireFinder XLS Driver with Firmware Revision 2.x (Figure 1) supports the following:

- Monitoring for a maximum of 64 FireFinder XLS panels (PMIs).
- TX-I/O Modules.
- Maximum of 8,000 APOGEE points per driver.
- A maximum of 64 FireFinder XLS panels FireFinder XLS nodes (PMIs) per driver.

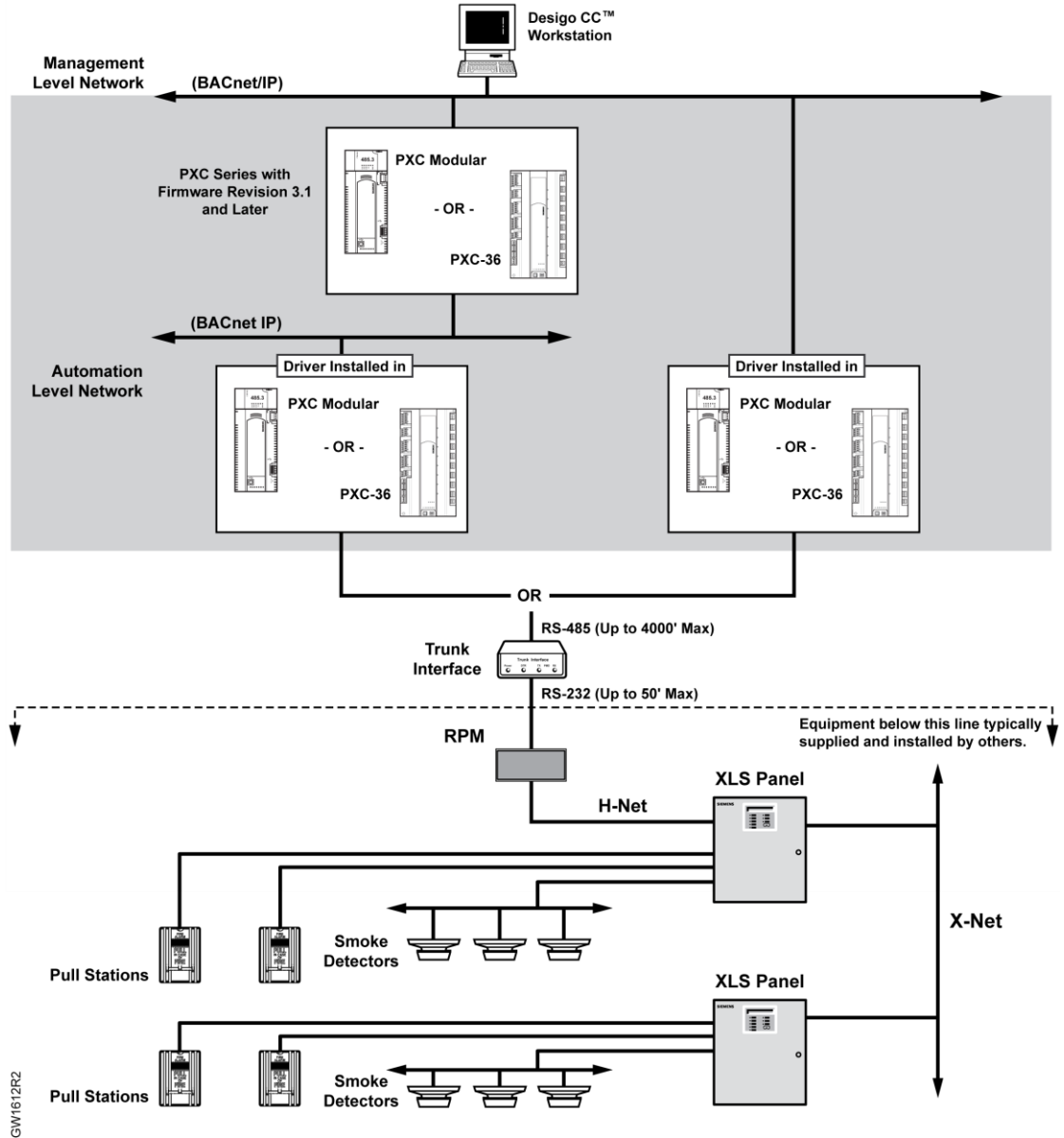


Figure 2: Typical Siemens FireFinder XLS and APOGEE Automation System Configuration (Firmware Revision 3.x).

Notes on System Architecture

The Siemens FireFinder XLS Driver with Firmware Revision 3.x supports the following:

- BACnet/IP ALN on Firmware 3.x.
Do not use an Integration Driver as the router.
- Monitoring for a maximum of 64 FireFinder XLS panels (PMIs).
- TX-I/O Modules.
- Maximum of 8,000 APOGEE points per driver.
- A maximum of 64 FireFinder XLS panels FireFinder XLS nodes (PMIs) per driver.

Functionality

The Siemens FireFinder XLS Driver can be loaded into PXC Modular or PXC-36 hardware.

- When using a P2 ALN, the Siemens FireFinder XLS Driver communicates with Insight software, other APOGEE field panels and controllers, and the FireFinder XLS system.
- When using a BACnet ALN, the Siemens FireFinder XLS Driver communicates with Insight workstation software, other APOGEE field panels and controllers, and the FireFinder XLS system.

The Siemens FireFinder XLS Driver performs basic alarm monitoring. It maps specific Siemens FireFinder XLS points into the APOGEE Automation System so that they can be accessed by standard applications such as PPCL, Equipment Scheduler, Trending, and Enhanced Alarming.

TX-I/O modules are supported for control of fans, valves, etc.; however, Floor Level Network (FLN) devices are not supported. When configured according to the *Siemens FireFinder XLS Driver Installation Instructions* (565-715), the Siemens FireFinder XLS Driver is UL Listed for smoke control under UL 864 category UUKL. The Siemens FireFinder XLS Driver will not affect, in any way, the operating sequence or safeties programmed into the FireFinder XLS fire alarm system.

Keys to Success

Ensure that all Siemens equipment to be integrated is supported by the Siemens FireFinder XLS Driver.

Benefits

Systems integration brings the powerful facility control capabilities of the APOGEE Automation System together with the FireFinder XLS fire alarm system. Integrating Siemens FireFinder XLS points allows both systems to operate as a single system providing reduced operating, maintenance, training, and energy costs, increased employee productivity, increased diagnostic capabilities, and improved systems information.

Availability of fire alarm data at the APOGEE Automation System potentially eliminates the need for installation, maintenance, and training for duplicate user interfaces.

Making fire alarm activity available at the APOGEE Automation System allows the fire alarm system to trigger automated events such as:

- Fan shutdown
- Smoke control
- Emergency lighting activation
- CCTV activations
- Card access system door control

Products Supported



NOTE:

The Siemens FireFinder product line has been renamed to Desigo Fire Safety Modular (DFSM) but still works with the FireFinder XLS equipment. The Siemens FireFinder XLS Driver also works with the DFSM equipment.

The driver with Firmware Revision 2.8.5 and 3.5.2 has been tested and found to be compatible with:

- PMI revision 3.xx, 4.xx and 7.xx.
- RPM revision 4.03.0000 and 4.08.0004.

Other revisions may be compatible with the driver but have not been tested.

In addition, the Siemens FireFinder XLS Driver with Firmware Revision 3.5.2 has been tested and found to be compatible with the following:

- MLC line Card with MXL Devices
- DLC and XDLC line card with Desigo detectors such as:
 - FDOOT441
 - FDOT421
 - FDOOTC441
 - FDO421
 - FDT421
 - VPM Card with VESDA Interface
- Input modules
 - FDCIO422 (also can be used with DLC)
 - XTRI-R
 - XTRI-D
 - XMS-S
 - XTRI-S
 - XTRI-M
 - PAD-5

Other XLS equipment combinations have not been tested for compatibility and may be unsupported.

If there are any questions regarding FireFinder XLS fire alarm system, contact your local Siemens representative.

Ordering Information

License

LSM-INT-SBTXLS	License to enable the Siemens FireFinder XLS Driver on PXC Modular or PXC-36 hardware.
LSM-ADAPT	License to use the Adaptive Control added in FW 3.5.2 and later

PXC Modular Series

PXC00-PE96.A	PXC Modular, Ethernet or RS-485 ALN, 96 FLN nodes
PXC00-E96.A	PXC Modular, BACnet/IP or MS/TP ALN, 96 FLN nodes, TX-I/O module support
PXC100-PE96.A	PXC Modular, Ethernet or RS-485 ALN, 96 FLN nodes, TX-I/O module support
PXC100-E96.A	PXC Modular, BACnet/IP or MS/TP ALN, 96 FLN nodes, TX-I/O module support
PXX-485.3	Expansion Module, three RS-485 FLN connections

PXC Compact Series

PXC36-PE.A	PXC Compact, 36 point, Ethernet/IP or RS-485 ALN
PXC36-E.A	PXC Compact, 36 point, BACnet/IP or MS/TP ALN

Accessories

538-670	Trunk Interface II, 115V
538-675	Trunk Interface II, 230V
Belkin F2L088-06	Modem Cable, DB9F to DB25M 6ft

Information in this document is based on specifications believed correct at the time of publication. The right is reserved to make changes as design improvements are introduced. APOGEE, APOGEE GO, and Insight are registered trademarks of Siemens Industry, Inc. Other product or company names mentioned herein may be the trademarks of their respective owners. © 2020 Siemens Industry, Inc. All presented offerings are subject to a cyber security disclaimer which is available at: www.siemens.com/bt/cyber-security.