

## Sinorix® Engineered Fire Suppression Systems

### Pressure-Actuated Control Head

Engineered (Pneumatic & Manual Actuation)

Model CPY-PAS2

#### ARCHITECT AND ENGINEER SPECIFICATIONS

- Core fitting made to fasten onto top-plug adapters that are 1.5 inches (3.75 cm.) in diameter
- Pneumatic release for secondary cylinders
- High-quality brass construction
- Self venting



#### Product Overview

The Sinorix Pressure-Actuated Head (Model CPY-PAS2) allows for pneumatic pressure actuation of Sinorix cylinders. Model CPY-PAS2 is to be mounted directly on the top-plug-adapter assembly.

Model CPY-PAS2 fastens to top-plug adapters that have a core fitting of 1.5 inches (3.75 cm.) in diameter.

The pressure from port marked 'M' on the cylinder valve is self-venting to prevent accidental system discharge in the event of a gradual build up of pressure in a pilot line.

(See: Sinorix 1230 Installation & Operations Manual, **500-697971**, or Sinorix 227 IOM **500-697967** for further details.)

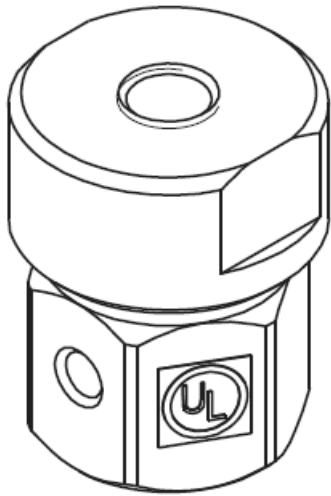
#### Installation

To install Model CPY-PAS2, remove the protection cap from the top-plug adapter. After the protection cap has been removed, install Model CPY-PAS2 with the flexible-actuation hose or tubing attached to the actuation line.

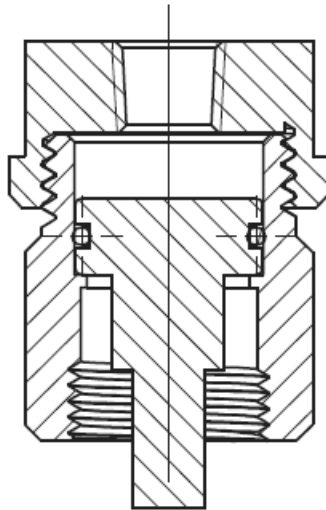
#### Details for Ordering

Model	Part Number	Description
CPY-PAS2	500-697926BG-2	Pressure-Actuated Control Head

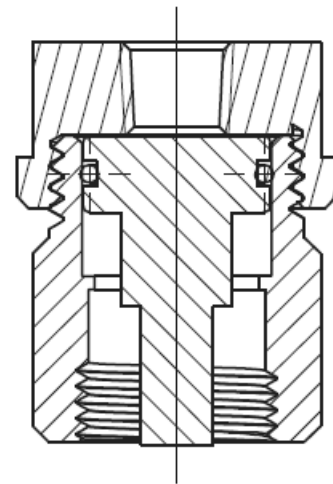
## Mounting Diagrams



CPY-PAS2



ACTUATION OF  
PISTON DURING  
OPERATION



PUSH UP ON PISTON  
ROD TO RETURN TO  
NORMAL STATE

**WARNING!** Ensure that the pilot line is unpressurized and actuating piston is in the retracted (SET) position. The pistons are to be manually pushed back to the top of the piston actuators.

Failure to follow this procedure will result in accidental discharge of the Sinorix cylinder when the control head is installed on the cylinder.

## Sinorix<sup>®</sup> Engineered Fire Suppression Systems

### Pressure-Actuated Control Head

Engineered (Pneumatic & Manual Actuation)

Model CPY-PAS

#### ARCHITECT AND ENGINEER SPECIFICATIONS

- Core fitting made to fasten exclusively to 1-inch (2.5 cm.) top-plug adapters
- Pneumatic release for secondary cylinders
- High-quality brass construction
- Self venting



#### Product Overview

The Sinorix Pressure-Actuated Head (Model CPY-PAS) allows for pneumatic pressure actuation of Sinorix cylinders. Model CPY-PAS is to be mounted directly on the top-plug-adapter assembly.

Model CPY-PAS is a non-adjustable control head, and, thus, can only be fastened to top-plug adapters that are of 1 inch (2.5 cm.) in diameter.

The pressure from port marked 'M' on the cylinder valve is self-venting to prevent accidental system discharge in the event of a gradual build up of pressure in a pilot line.

(See: Sinorix 1230 Installation & Operations Manual, **500-697971**, or Sinorix 227 IOM **500-697967** for further details.)

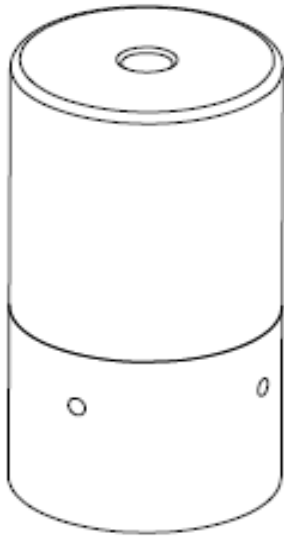
#### Installation

To install Model CPY-PAS, remove the protection cap from the top-plug adapter. After the protection cap has been removed, install Model CPY-PAS with the flexible-actuation hose or tubing attached to the actuation line.

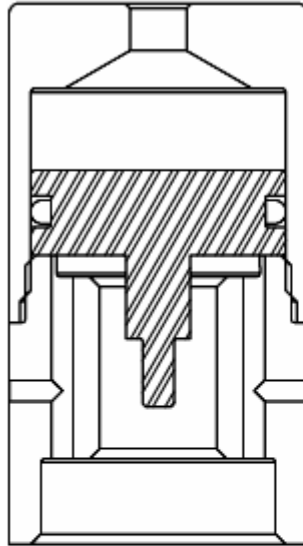
#### Details for Ordering

**See:** Page 1 of this document.

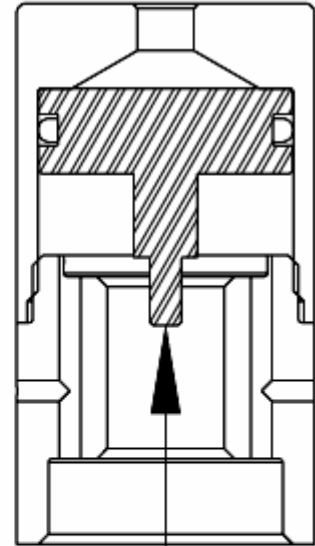
# Mounting Diagram



CPY-PAS



PISTON  
AFTER  
OPERATION



PUSH UP ON  
PISTON ROD TO  
RETURN PISTON  
AFTER  
OPERATION

**WARNING!** Ensure that the pilot line is unpressurized and actuating piston is in the retracted (SET) position. The pistons are to be manually pushed back to the top of the piston actuators.

Failure to follow this procedure will result in accidental discharge of the Sinorix cylinder when the control head is installed on the cylinder.

**Notice:** This marketing data sheet is not intended to be used for system design or installation purposes. For the most up-to-date information, refer to each product's installation instructions.