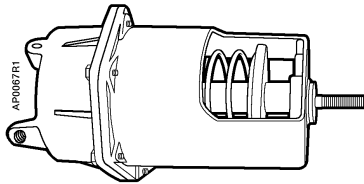
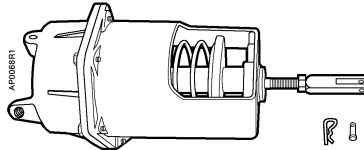


# POWERS® Controls

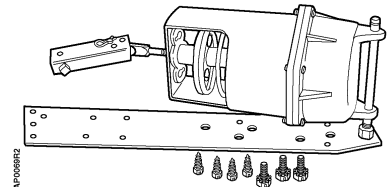
## No. 6 Pneumatic Damper Actuator



331-2793 Actuator



331-2857 Actuator  
with Clevis and Pin



331-3012 Extended Shaft and Frame  
Mounting

### Description

The POWERS Controls No. 6 Pneumatic Damper Actuator is a heavy-duty, rolling diaphragm, spring return actuator designed to drive large dampers, centrifugal refrigeration inlet vanes, and other applications requiring a large, effective diaphragm area and long stroke.

### Features

- All metal body construction
- Replaceable ozone-resistant, silicone rubber, rolling diaphragm
- Pivot mounting for extended shaft or frame mounting
- Positioning relay (optional)
- Adjustable forward travel stops (optional)
- Three spring ranges for sequencing with other control devices

### Product Numbers

See Table 1.

### Application

The No. 6 Pneumatic Damper Actuator controls outdoor, return air, exhaust, face and bypass, and fan discharge dampers. It is recommended for heavy-duty applications using multi-section dampers where either unison or sequence operation is required.



Certain actuators in Table 1 are UL Recognized Components for fire/smoke applications under category EMKU2. This category covers pneumatic damper actuators used on fire dampers and leakage rated dampers.

**Table 1. Product Numbers for No. 6 Pneumatic Damper Actuators.**

| Description   | Mounting Style                        | Product Numbers        |                         |                         |
|---|---------------------------------------|------------------------|-------------------------|-------------------------|
|   |                                       | Nominal Spring Range   |                         |                         |
|   |                                       | 3-8 psi<br>(21-55 kPa) | 3-13 psi<br>(21-90 kPa) | 8-13 psi<br>(55-90 kPa) |
| Actuator, integral pivot  | Pivot                                 | 331-2793               | 331-2794                | 331-3060 <sup>1</sup>   |
| Actuator, integral pivot and forward travel stops (Figure 1)                                    | Pivot                                 | —                      | —                       | 331-2988                |
| Actuator with clevis for frame mounting (Figure 2) or remote extended shaft mounting (Figure 3) | Pivot <sup>2</sup>                    | 331-2857               | 331-2858                | 331-2856 <sup>1</sup>   |
| Actuator with clevis and positioning relay (Figure 16)  | Pivot <sup>2</sup>                    | —                      | —                       | 332-2856                |
| Actuator, integral pivot with pivot post <sup>3</sup>   | Extended Shaft                        | 331-3012               | 331-3013                | 331-3011 <sup>1</sup>   |
| Actuator, integral pivot with pivot post and positioning relay <sup>3</sup> (Figure 16)         | Extended Shaft with Positioning Relay | —                      | —                       | 332-3011                |

<sup>1</sup> UL Recognized Components for Fire/Smoke Applications.

<sup>2</sup> Order frame mounting kit from the damper manufacturer, if needed. Also order frame mounting kit accessories.

<sup>3</sup> Mounted on plate for extended shaft with clevis and crank for 3/8-inch (10-mm), 7/16-inch (11-mm), or 1/2-inch (13-mm) diameter shaft. Parts for frame mounting (blade drive) included with kit.

**NOTE:** When the actuator is ordered with universal mounting, the mounting plate, pivot post and hardware, clevis, damper crank, rocker arm, and all screws/nuts are included. Order other frame mounting accessories as required, if not supplied by damper manufacturer.

| Specifications                         |  |   |
|--|--|---|
| Effective diaphragm area               |  | 17.9 inches <sup>2</sup> (115 cm <sup>2</sup> )                                       |
| Stroke                                 |  | 4 inch (102 mm)   |
| Housing                                |  | Aluminum  |
| Stem                                   |  | Type 416 stainless steel  |
| Diaphragm                              |  | Ozone-resistant silicone rubber   |
| Spring                                 |  | Steel   |
| Bearing                                |  | Bronze oilite   |
| Maximum air pressure                   |  | 30 psig (210 kPa)   |
| Nominal spring ranges                  |  | 3 to 8 psi (21 to 55 kPa)<br>3 to 13 psi (21 to 90 kPa)<br>8 to 13 psi (55 to 90 kPa) |
| Ambient temperature range<br>Operation |  | -20°F to 200°F (-29°C to 93°C)  |
| Air connection                         |  | 1/8-inch NPT  |
| Type of mounting                       |  | Pivot, universal (extended shaft or frame mount)                                      |
| Thrust and torque rating               |  | See Table 2   |
| Dimensions                             |  | See Figure 13 through Figure 16   |
| Shipping Weight                        |  | 9 lb (4.08 kg)  |
| Agency Approvals                       |  | Complies with UL555 and UL555S  |

| <b>Accessories</b>  |   |          |
|---------------------|---|----------|
|                     | Damper shaft extension kits:  |          |
|                     | 1/2-inch (13-mm) diameter, 2-1/4 inch (57-mm) rod<br>(See <i>TB-128 POWERS™ Controls Damper Shaft Extension Technical Bulletin 155-205P25</i> ) | 331-631  |
|                     | 1/2-inch (13-mm) diameter, 9-inch (229-mm) long hollow rod  | 333-184  |
|                     | 1/2-inch (13-mm) diameter, 9-inch (229-mm) long rod   | 333-042  |
|                     | 1-inch (25-mm) diameter 11-5/8 inch (295-mm) long (Ruskin)  | 333-194  |
|                     | Damper shaft extension kit adapter - 3/8 inch (10 mm) diameter<br>(for use with Damper Shaft Extension Kit 333-042)                             | 331-632  |
|                     | Actuator shaft extensions:  |          |
|                     | 10-1/8 inch (257-mm) long   | 331-434A |
|                     | Adapter kit for 1/2-inch NPT pipe   | 333-030  |
|                     | Cranks - damper shaft:  |          |
|                     | 3/8-inch (10-mm) - 1/2-inch (13-mm) diameter,<br>Selectable radius  | 331-941  |
|                     | 5/8-inch (16-mm) diameter   | 333-182  |
|                     | 3/4-inch (19-mm) diameter   | 333-183  |
|                     | 1-inch (25-mm) diameter   | 333-181  |
|                     | Cast iron crank with set screws   | 333-078  |
|                     | Linkage kit, 4-inch (102-mm) link and crank   | 331-958  |
|                     | Universal mounting plate  |          |
|                     | 3/4-inch shaft  | 331-623  |
|                     | 1-inch shaft (use with 333-194)   | 331-623A |
|                     | Flange bearing (1/2 inch, 13 mm)<br>(for 331-623 Universal Mounting Plate)  | 331-862  |
|                     | Right angle mounting plate  | 333-208  |
|                     | Remote mounting kit (extended shaft), Figure 3  | 331-618  |
|                     | Positioning relay   | 147-2000 |
|                     | Positioning relay mounting kit  | 147-276  |
|                     | Offset Mounting Bracket (Figure 14)   | 333-176  |
|                     | Travel Stop Kit (for model 3 and 4 actuators only)  | 333-197  |
|                     | Damper Blade Rocker Arm   | 333-034  |
|                     | Screws (two)  | 030 510J |
|                     | Nuts (two)  | 041-230J |
| <b>Service Kits</b> | Silicone diaphragms (package of five)   | 333-572  |

## Actuator Sizing

The quantity of actuators required depends on several torque factors. To determine the quantity of actuators required for the installation:

1. Obtain damper torque ratings (ft-lb/ft<sup>2</sup>) from the damper manufacturer.
2. Determine the area of the damper.
3. Calculate the total torque required to move the damper:

$$\text{Total Torque} = \text{Torque Rating} \times \text{Damper Area}$$

4. Calculate the total quantity of actuators required:

$$\text{Number of Actuators} = \frac{\text{Total Damper Torque Required}}{\text{SF}^1 \times \text{Actuator Torque (see Table 2)}}$$

<sup>1</sup> Safety Factor: When calculating the number of actuators required, a safety factor should be included for unaccountable variables such as slight misalignments, aging of the damper, etc. A suggested safety factor is 0.80 (or 80% of the rated torque).

See *AB-300 Damper Actuator Sizing and Selection Application Bulletin in the HVAC Systems/Controls Reference Data (125-1853)* for additional sizing information. See *TB-181 Powers™ Controls Maximum Thrust Ratings of Pneumatic Damper Actuators Technical Bulletin (155-219P25)* for additional torque requirements.

**Table 2. Thrust and Torque Rating.**

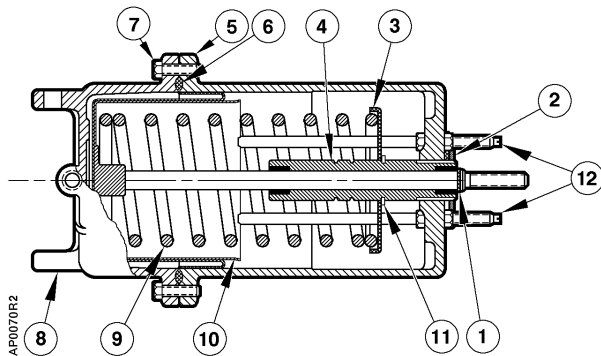
| Nominal Spring Range    | Maximum Thrust lb. (N) |                     |                     |   | Torque Rating* lb-in (Nm) |                                    |                     |                     |
|-------------------------|------------------------|---------------------|---------------------|---|---------------------------|------------------------------------|---------------------|---------------------|
|                         | Full Stroke Forward    |                     |                     | Spring Return<br>(No Stroke)<br>0 psi (0 kPa) | Gradual Operation         | 2-Position Operation or Positioner |                     |                     |
|                         | 15psi<br>(103 kPa)     | 18 psi<br>(124 kPa) | 25 psi<br>(172 kPa) |   |                           | 15 psi<br>(103 kPa)                | 18 psi<br>(124 kPa) | 25 psi<br>(172 kPa) |
| 3-8 psi<br>(21-55 kPa)  | 125 (556)              | 179 (796)           | 304<br>(1352)       | 54 (240)                                      | 50 (5.6)                  | 75 (8.5)                           | 75 (8.5)            | 75 (8.5)            |
| 3-13 psi<br>(21-90 kPa) | 36 (160)               | 89 (396)            | 214 (952)           | 54 (240)                                      | 50 (5.6)                  | 75 (8.5)                           | 75 (8.5)            | 75 (8.5)            |
| 8-13 psi<br>(55-90 kPa) | 36 (160)               | 89 (396)            | 214 (952)           | 144 (640)                                     | 50 (5.6)                  | 202 (22.8)                         | 202 (22.8)          | 202 (22.8)          |

\* With maximum hysteresis of 2.5 psi (17.2 kPa) @ 90° rotation.

**Operation**

**Standard Actuator  
 (Figure 1)**

The air tubing from a controlling instrument is connected to the actuator's upper housing. With no control pressure to the actuator, the compression spring forces the spring seat and actuator shaft toward the upper housing, but is limited by the E-ring. As the control pressure increases, the spring compression is overcome and the actuator shaft gradually moves outward. Conversely, as control pressure decreases, the spring returns the shaft to the position at which the air pressure on the diaphragm balances the spring tension. For each value of control pressure there is a corresponding position of the shaft.



**Figure 1. Standard Actuator.**

**Table 3. Standard Actuator Components.**

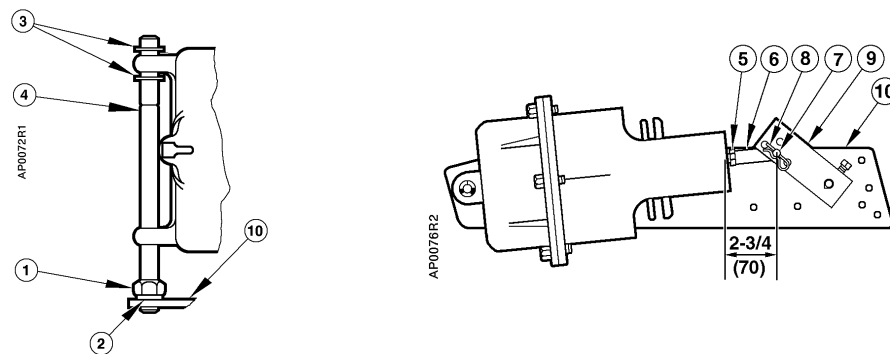
| Item | Part No.               | Description                            | Qty | Material        |
|------|------------------------|--|-----|-----------------|
| 1    | 047-061J               | Retaining E-ring                       | 1   | Steel           |
| 2    | 333-217                | 1 x 1-1/4 in. Hex Nut                  | 1   | Brass           |
| 3    | —                      | Spring Retainer                        | 1   | —               |
| 4    | —                      | Stem Guide Assembly                    | 1   | —               |
| 5    | —                      | Lower Housing                          | 1   | Aluminum        |
| 6    | 333-572<br>(pkg. of 5) | Diaphragm                              | 1   | Silicone rubber |
| 7    | 599-00413              | 5/16 in.-18 x 1<br>Large Hex Cap Screw | 6   | Steel           |
| 8    | —                      | Upper Housing                          | 1   | Aluminum        |
| 9    | —                      | Helical Compression Spring             | 1   | —               |
|      | 331-091                | 3 to 13 psi (21 to 90 kPa)             |     | —               |
|      | 331-208                | 3 to 8 psi (21 to 55 kPa)              |     | —               |
|      | 331-094                | 8 to 13 psi (55 to 90 kPa)             |     | —               |
| 10   | —                      | Piston Plate and Stem<br>Assembly      | 1   | Aluminum/<br>SS |
| 11   | —                      | Retaining C-ring                       | 1   | Steel           |
| 12   | 333-197                | Stop Kit (Optional)                    | —   | Steel           |

**Extended Shaft  
 Mounting—Pivot  
 Actuator**

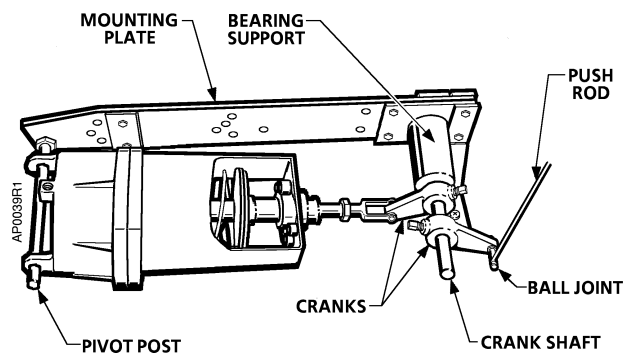
- Order one of the following and see Table 4 for parts lists:  
 Actuator: 331-3011, 331,-3012, 331-3013, or 332-3011
- Slip the 3/4-inch (19-mm) diameter hole in the mounting plate over the damper shaft.
- Slip the crank over the damper shaft. With the actuator assembly to the *left* of the damper shaft, an increase in actuator pressure rotates the damper blade CW when the crank is above the damper shaft, or CCW when the crank is below the damper shaft. See Figure 2.  
 With the actuator assembly to the *right* of the damper shaft, an increase in actuator pressure rotates the damper blade CCW when the crank is above the damper shaft or CW when the crank is below the damper shaft.
- Position the mounting plate and attach it to the duct with four screws.
- When the actuator cannot be directly mounted, drive the extended damper shaft using the Remote Mounting Kit 331-618 and Actuator 331-2856. See Figure 3.

**Table 4. Extended Shaft/Frame Mounting Assemblies Components.**

| Item | Part No. | Description             | Qty. | Material          |
|------|----------|-------------------------|------|-------------------|
| 1    | 041-162J | Nut                     | 1    | Steel             |
| 2    | 046-020K | Lockwasher              | 1    | Steel             |
| 3    | 047-061K | Retaining E-ring        | 2    | Steel             |
| 4    | 331-565  | Pivot Post              | 1    | Steel             |
| 5    | 041-142  | Nut                     | 1    | Steel             |
| 6    | 333-207  | Clevis                  | 1    | Zinc Plated Steel |
| 7    | 331-293  | Clevis Pin              | 1    | Zinc Plated Steel |
| 8    | 331-807  | Hitch Pin               | 1    | Zinc Plated Steel |
| 9    | 331-941  | Crank Assembly          | 1    | —                 |
| 10   | 331-623  | Actuator Mounting Plate | 1    | Steel             |
| —    | 034-283  | Mounting Screws         | 4    | Steel             |



**Figure 2. Extended Shaft/Frame Mounting Actuator Assembly.**



**Figure 3. Remote Mounting Kit 331-618 with 331-2856 Actuator Mounted.**

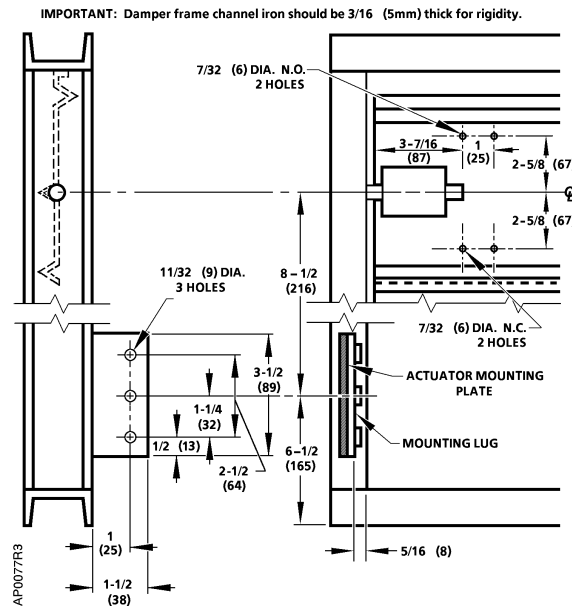
**Frame Mounting**

Order one each of the following. See Table 4 for parts lists:  
 Actuator and Clevis: 331-2856, 331-2857, or 331-2858

**Frame Mounting -**

1. Order one each of the following:  
 Actuator assembly: 331-3011, 331-3012, 331-3013, or 332-3011

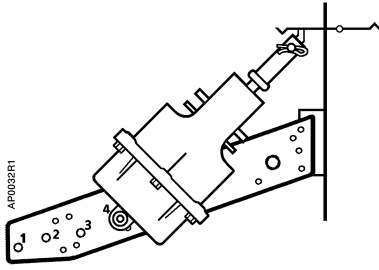
See Figure 4 through  
 Figure 6



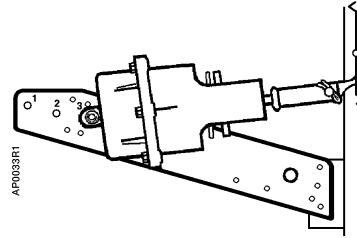
**Figure 4. Frame Mounting Dimensions in Inches (Millimeters).**

2. Attach Rocker 333-034 to blade in proper position for normally open or normally closed damper using 2 nuts, 041-230K, and 2 screws, 030-510J. See Figure 5 and Figure 6.
3. Attach the mounting plate to the mounting lug as follows:
  - a. Normally Open damper: attach the plate to the lug. Place the pivot post in Hole 4. See Figure 5.
  - b. Normally Closed damper: attach the plate to the lug. Place the pivot post in Hole 3. See Figure 6.
4. Fasten the clevis to the rocker. Discard the crank and other parts not used.
5. The actuator mounting plate has a tendency to pivot at the point where the lug is welded to the damper frame when the actuator strokes. It is recommended that some means be devised in the field to prevent this from happening. A threaded rod attached to the mounting plate and duct wall will normally work.

## Frame Mounting Continued

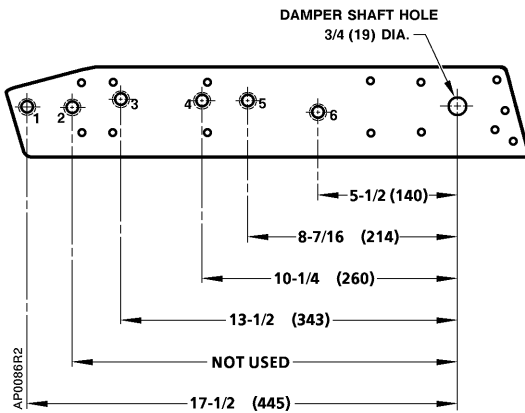


**Figure 5. Frame Mounting,  
Normally Open Damper.**



**Figure 6. Frame Mounting,  
Normally Closed Damper.**

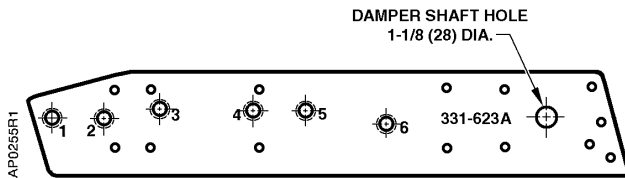
## Actuator Mounting



**Figure 7. Actuator Mounting Plate 331-623  
Pivot Shaft Locations.  
Dimensions in Inches (Millimeters).**

**Table 5. Mounting Plate Hole Identification.**

| Hole | Used For   |
|------|--|
| 1    | No. 6 Actuator extended shaft mounting.                            |
| 2    | Not used.  |
| 3    | No. 4 Actuator extended shaft.<br>No. 6 Actuator frame mounting NC |
| 4    | No. 6 Actuator frame mounting NO                                   |
| 5    | No. 4 Actuator frame mounting NC                                   |
| 6    | No. 4 Actuator frame mounting NO                                   |



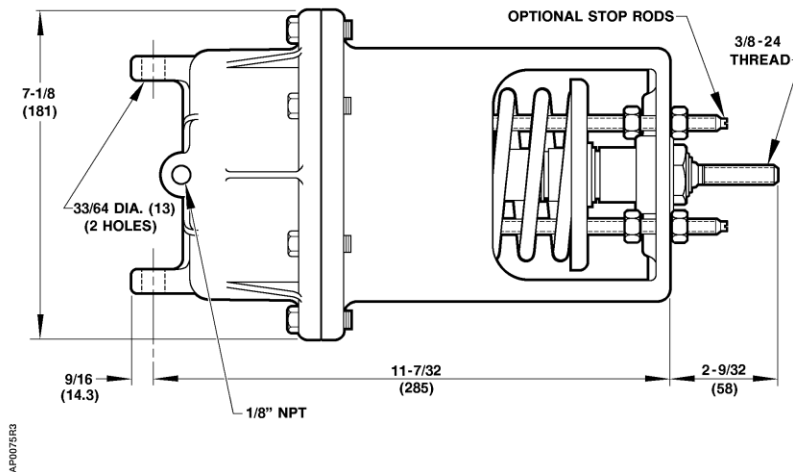
**Figure 8. Actuator Mounting Plate 331-623A  
Pivot Shaft Locations.**

**Table 6. Pivot Post Hole Identification.**

| Hole | Used For  |
|------|---|
| 1    | No. 6 Actuator extended shaft mounting                            |
| 2    | Not used  |
| 3    | No. 4 Actuator extended shaft<br>No. 6 Actuator frame mounting NC |
| 4    | No. 6 Actuator frame mounting NO                                  |
| 5    | No. 4 Actuator frame mounting NC                                  |
| 6    | No. 4 Actuator frame mounting NO                                  |



## Dimensions

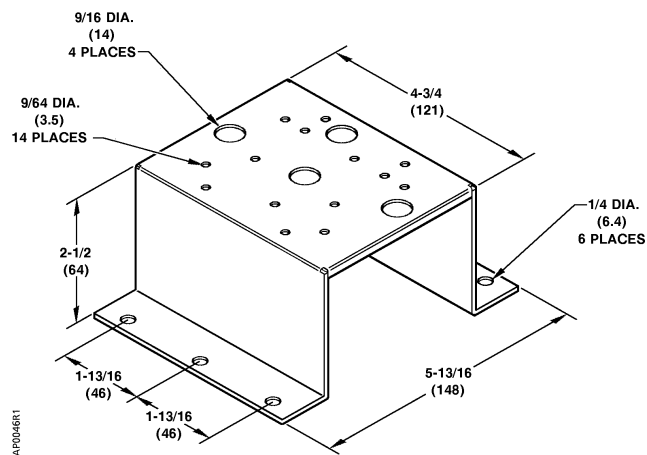


**Figure 9. Extended Shaft Remote Mounting with Travel Stops.  
 Dimensions in Inches (Millimeters).**

## Offset Mounting Bracket

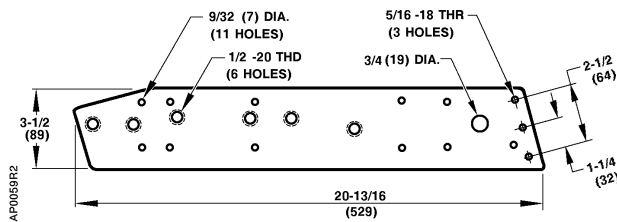
This bracket is designed to offset Universal Mounting Plate 331-623 or 331-623A from the ductwork.

**NOTE:** Depending on the application, two brackets may be required to support the actuator and universal mounting plate.

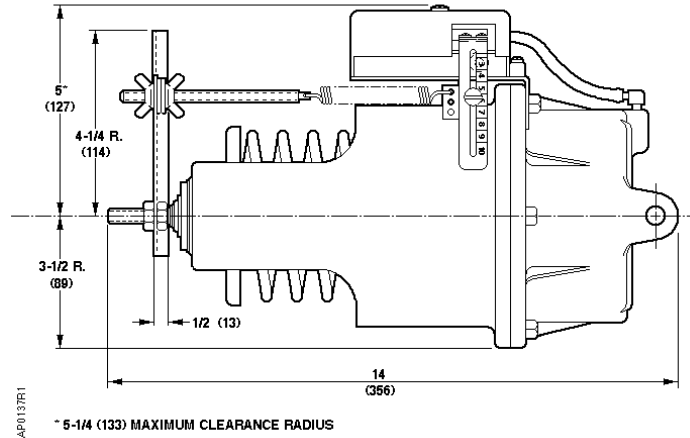


**Figure 10. Offset Mounting Bracket 333-176.  
 Dimensions in Inches (Millimeters).**

## Dimensions, Continued



**Figure 11. Actuator Mounting Plate 331-623.  
 Dimensions in Inches (Millimeters).**



**Figure 12. No. 6 Actuator with the  
 RL 147 Positioning Relay Mounting.  
 Dimensions in Inches (Millimeters).**

Information in this publication is based on current specifications. The company reserves the right to make changes in specifications and models as design improvements are introduced. POWERS is a registered trademark of Siemens Industry, Inc. Other product or company names mentioned herein may be the trademarks of their respective owners. © 2012-2022 Siemens Industry, Inc.