

SIEMENS

DFP3AP01

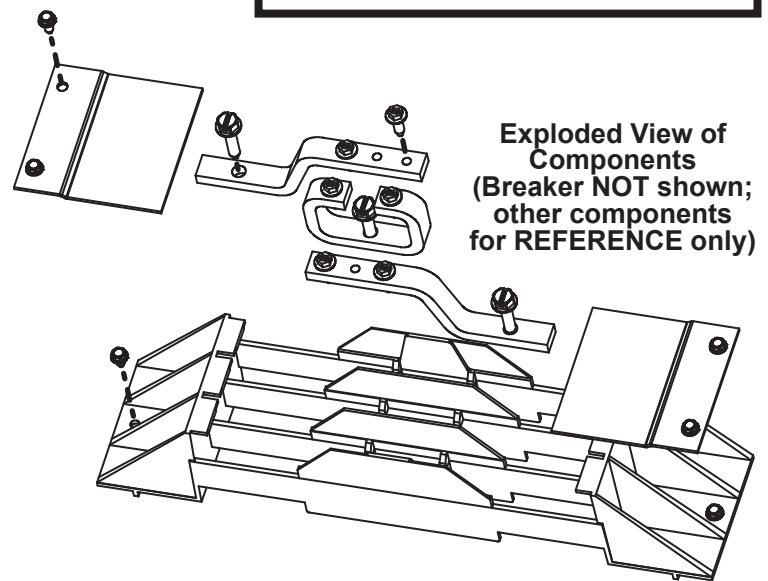
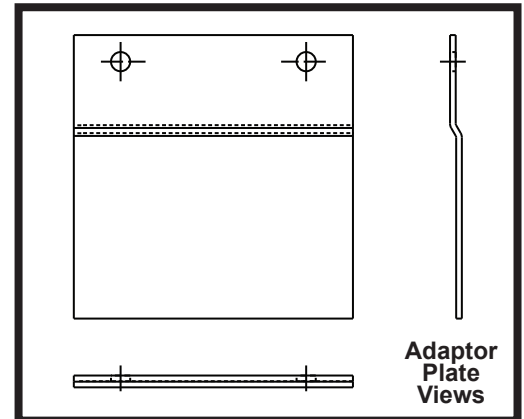
Installation Instructions for a
replacement Adaptor Plate



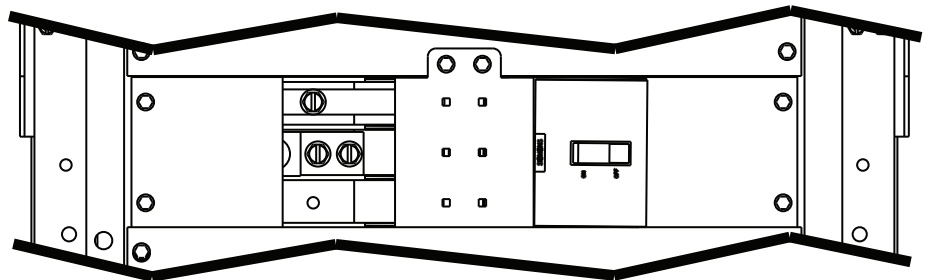
This kit is intended for the installation of a replacement Adaptor Plate for a Type BL / BQD / ED / GB / GB2 breaker in a Siemens P3 Panelboard.

KIT INCLUDES: Qty. (1) Adaptor Plate (p/n: 11-D-3033-01) & Qty. (2) mounting screws

1. **Lock off ALL power supplying this equipment before working on it.**
2. Ensure Type BL / BQD / ED / GB / GB2 breaker is properly installed below where this Adaptor Plate will be mounted.
3. Locate the Adaptor Plate onto the deadfront rail with the two Adaptor Plate holes lining up with the rail holes such that the Adaptor Plate covers the same unit space as its breaker.
(NOTE: The Adaptor Plate has a slight offset bend close to the mounting holes. Install so that the mounting hole portion is higher than the part that sits over the breaker.)
4. Insert the two screws (included) and tighten until the Adaptor Plate is securely on the rail.
5. Ensure that the Adaptor Plate restricts access to all live parts below the plate. If there is not a 3-pole breaker installed in this location, use one to three DFFP1 fillers (sold separately) to fully close the opening.
6. **Before energizing the panel**, ensure that any barriers and fillers are in place and secure, that the deadfront is installed, that the trim is in place, and the door is closed and locked.



**Front View of
Adaptor Plates on
P3 Panelboard Deadfront
(Left-side shows without breaker installed,
right-side shows with breaker installed)**



Contact Siemens Sales Office if considering usage in applications other than as shown.

These instructions do not purport to cover all details or variations in equipment, or to provide for every possible contingency to be met in connection with installation, operation or maintenance. Should further information be desired or should particular problems arise, which are not covered sufficiently for the purchaser's purposes, the matter should be referred to the local Siemens sales office. The contents of this Instruction manual shall not become part of or modify any prior or existing agreement, commitment or relationship. The sales contract contains the entire obligation of Siemens. The warranty contained in the contract between the parties is the sole warranty of Siemens. Any statements contained herein do not create new warranties or modify the existing warranty.

Trademarks-Unless otherwise noted, all names identified by © are registered trademarks of Siemens AG or Siemens Industry, Inc. The remaining trademarks in this publication may be trademarks whose use by third parties for their own purposes could violate the rights of the owner.