

**Warning**

**Danger to life if the safety instructions and installation instructions are not observed**

The compact hardware installation instructions only contain the most important information for installing the SINAMICS G120 NEMA 1/UL TYPE 1 KIT.

If the safety instructions and installation instructions of in the associated documentation are not observed, accidents involving severe injuries or death can occur.

- Observe the safety instructions and installation instructions given in the associated documentation.
- See also the links or use the QR codes on the right.

G120 Power Module Hardware Installation Manual

For additional information on SINAMICS Power Modules, scan the QR code.



<https://support.industry.siemens.com/cs/ww/en/ps/13224/man>

G120C Operating Instructions

For additional information on SINAMICS G120C, scan the QR code.



<https://support.industry.siemens.com/cs/ww/en/ps/13221/man>

Service and Support

For additional information on Service and Support, scan the QR code.



<https://support.industry.siemens.com/cs/ww/en/>

**Functionality and applicable products**

The NEMA 1/UL TYPE 1 KIT enclosure is constructed for indoor use to provide a degree of protection for personnel against access to hazardous parts and to provide a degree of protection for the equipment inside the enclosure against ingress of solid foreign objects (falling dirt).

The enclosure is applicable to the following products:

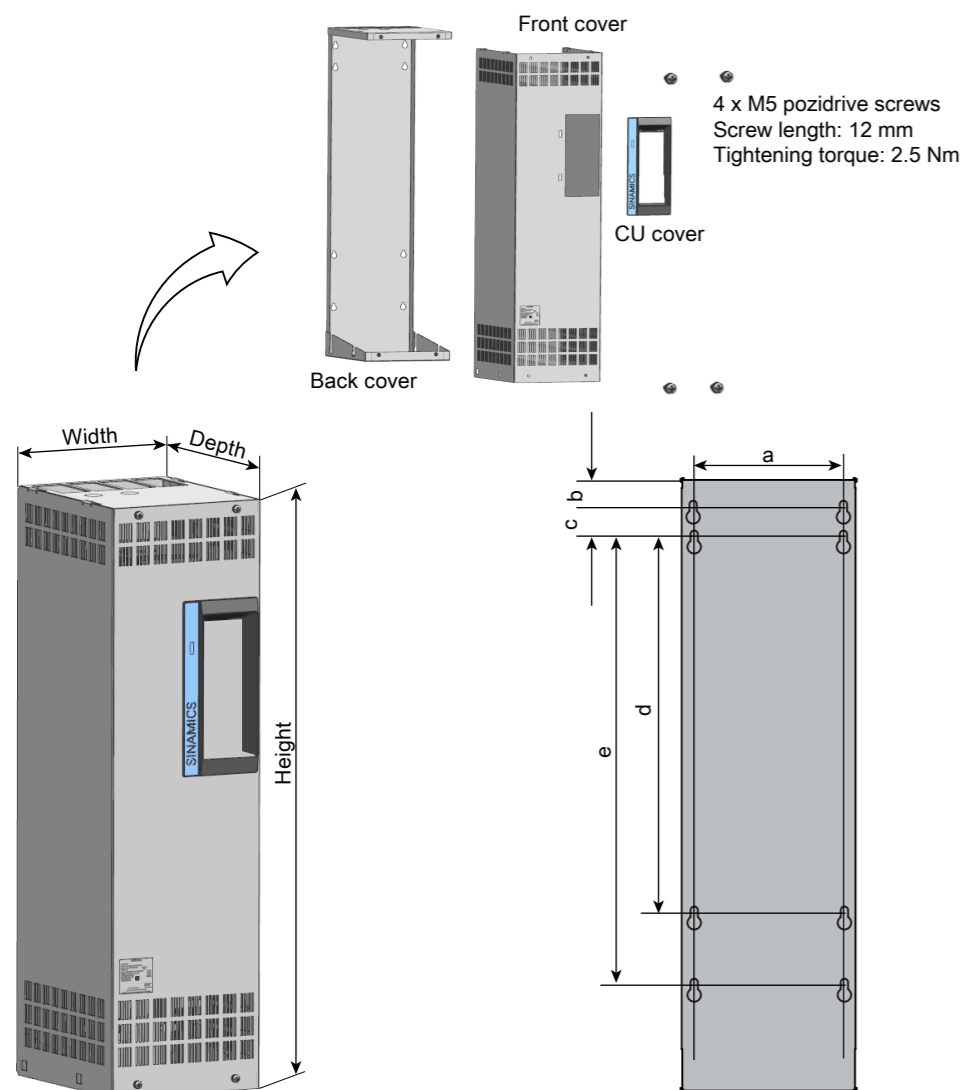
- SINAMICS G120C frame sizes D ... F
- SINAMICS G120 Power Modules PM240-2 frame sizes D ... F
- SINAMICS G120 Power Modules PM240P-2 frame sizes D ... F

Kit 5 6SL3262-1CD00-0BA0

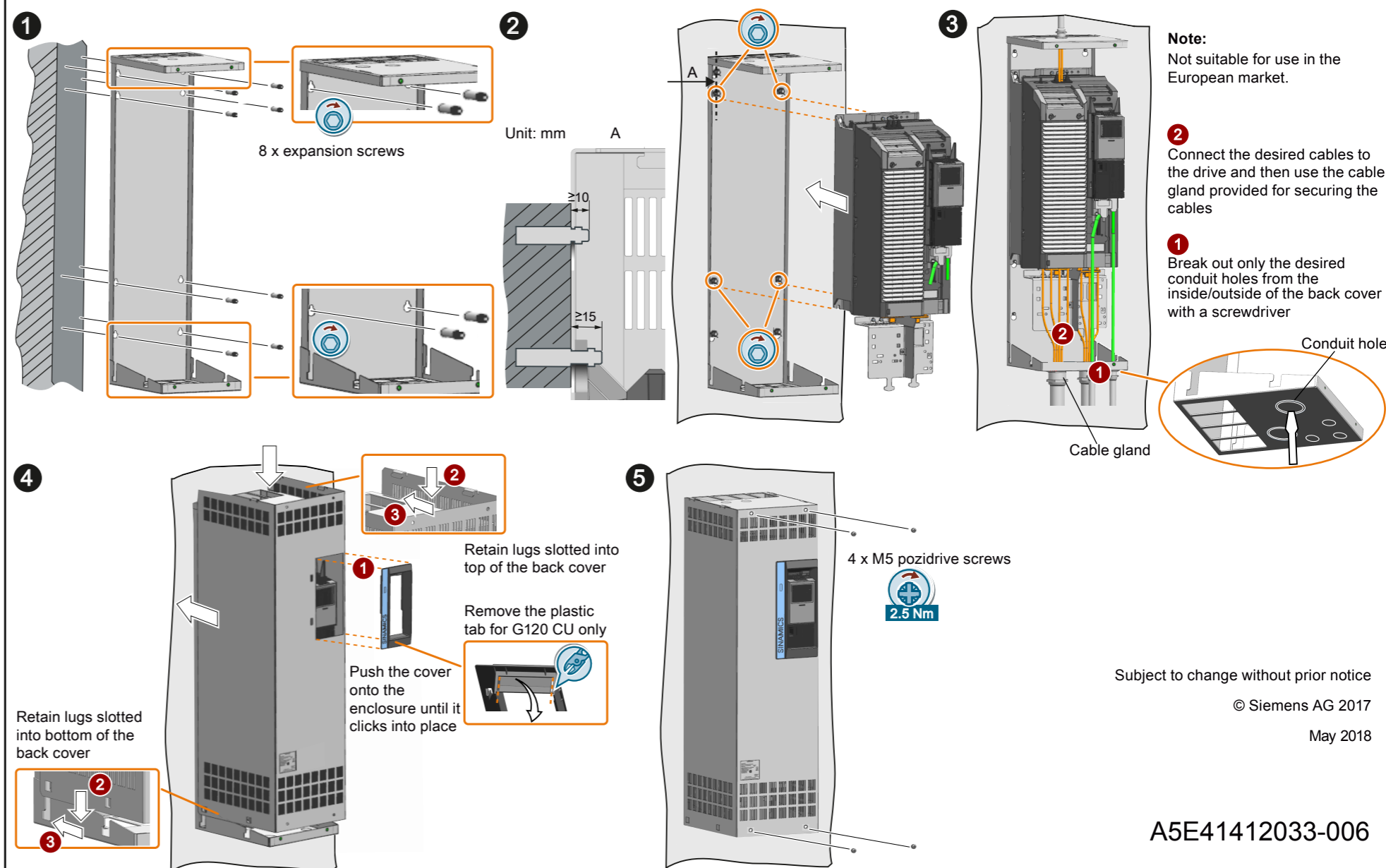
Kit 6 6SL3262-1CE00-0BA0

Kit 7 6SL3262-1CF00-0BA0

**Dimensions**



**Kits 5 to 7 assembly and mounting**



**Note:**

- Before installation, a conduit hole size can be increased as necessary without losing the integrity of the enclosure to comply with local electrical installation regulations and codes.
- The minimum side-by-side mounting distance is 50 mm (2.0 inches).
- Make sure the warning label included in the applicable product package is attached and visible on the Kit enclosure.

Subject to change without prior notice

© Siemens AG 2017

May 2018

A5E41412033-006



A5E41412033-006

Kit size	Dimensions (mm/inches)			Weight (kg/lbs)	Drill pattern (mm/inches)					Screw size
	Width	Height	Depth		a	b	c	d	e	
Kit 5	212/8.3	756/29.8	269/10.6	9.4/20.7	170/6.7	36/1.4	50/2.0	430/16.9	600/23.6	M5
Kit 6	287/11.3	905/35.6	270/10.6	13.2/29.1	230/9.1	50/2.0	50/2.0	509/20.0	690/27.2	M6
Kit 7	318/12.5	1105/43.5	390/15.4	27.6/60.8	270/10.6	51/2.0	50/2.0	680/26.8	860/33.9	M8

General technical data

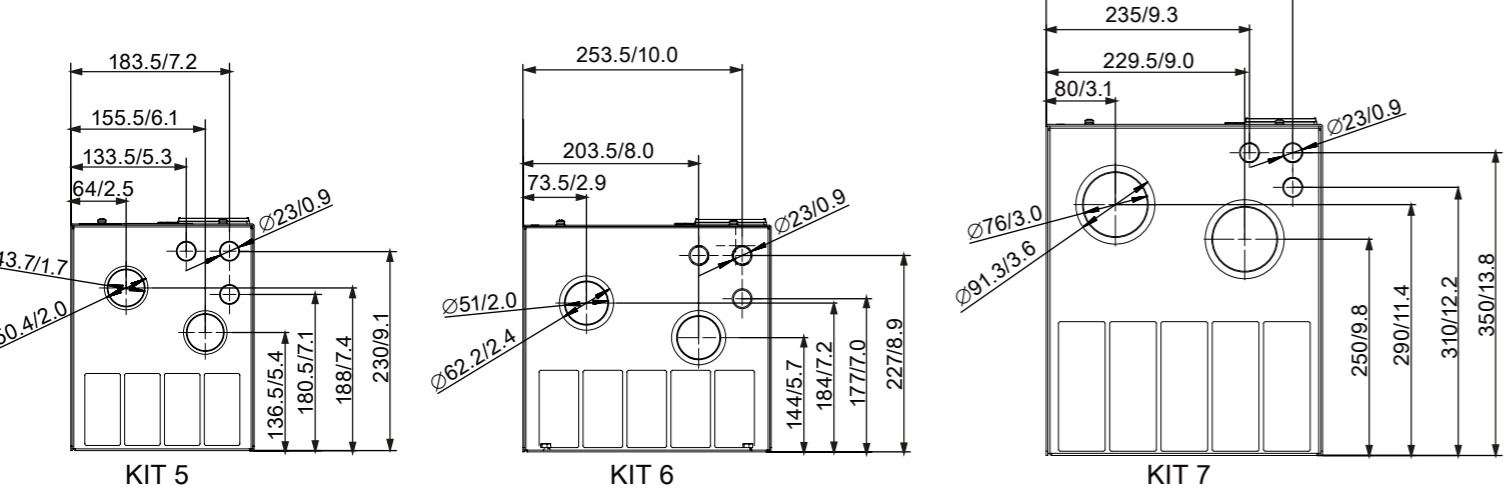
Features	Specification
Operating temperature	-20 °C ... 40 °C (-4 °F ... 104 °F)
Enclosure rating	NEMA Type 1/UL Type 1
Short Circuit Current Rating (SCCR)	100 kA rms symmetrical; 690 Vac maximum (For 600V Class) 100 kA rms symmetrical; 480 Vac maximum (For 400V Class) 100 kA rms symmetrical; 240 Vac maximum (For 200V Class) When protected by non-semiconductor, Class J or Class CC or better fuse of current rating as shown in the table in Section "Specific technical data" of this document and voltage rating at least equal to the input supply voltage of a drive.
Compliance	UL and cUL listed (UL file E192450)
<b>Notes:</b>	
1. Refer to the SINAMICS G120 PM240-2/PM240P-2 Hardware Installation Manual (HIM) or the G120C Operating Instructions (OPI) for installation, mounting, and connection.	
2. The information shown in this document is supplemental and also supersedes the information in the SINAMICS G120 PM240-2/PM240P-2 HIM or the SINAMICS G120C OPI, wherever is applicable.	
3. The combination of drives and the NEMA 1/UL TYPE 1 KIT does not fulfill the requirements of the EMC Directive 2014/30/EU.	

Packaging contents

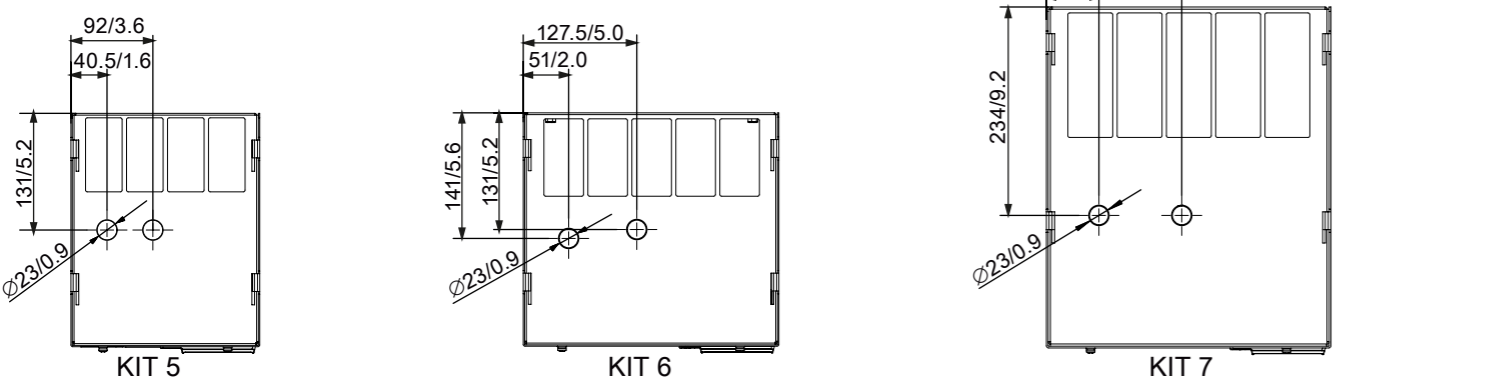
Contents	Quantity
Back cover	1
Front cover	1
CU cover	1
Pozidrive screws M5	4
Packs of desiccant	3
Compact Installation Instructions	1

Conduit hole dimensions - mm/inches

At the bottom of the back cover



On the top of the back cover



Specific technical data

Rated power (LO)	Input current (LO)		Output current (LO)		Applicable drive part number	Kit part number	Kit size (frame size)	Maximum branch circuit protection rating (HSJ) Amps
	kW	Hp	Amps	Amps				
<b>G120C FSD-F, 3AC 380 V ... 480 V<sup>1)</sup></b>								
22	25	32	34	65	6SL3210-1KE24-4xy1	6SL3262-1CD00-0BA0	KIT 5 (FSD)	70
30	30	37	40	65	6SL3210-1KE26-0xy1			90
37	40	49	52	65	6SL3210-1KE27-0xy1			100
45	50	60	65	65	6SL3210-1KE28-4xy1			125
55	60	72	77	65	6SL3210-1KE31-1xy1	6SL3262-1CE00-0BA0	KIT 6 (FSE)	150
75	75	95	96	65	6SL3210-1KE31-4xy1			200
90	100	118	124	65	6SL3210-1KE31-7xy1			250
110	125	145	156	65	6SL3210-1KE32-1xy1	6SL3262-1CF00-0BA0	KIT 7 (FSF)	300
132	150	168	180	65	6SL3210-1KE32-4xy1			350
<b>PM240-2, 3AC 200 V ... 240 V<sup>2)</sup></b>								
11	15	40	42	65	6SL3210-1PC24-2xL0	6SL3262-1CD00-0BA0	KIT 5 (FSD)	60
15	20	51	54	65	6SL3210-1PC25-4xL0			70
18.5	25	64	68	65	6SL3210-1PC26-8xL0			90
22	30	76	80	65	6SL3210-1PC28-0xL0	6SL3262-1CE00-0BA0	KIT 6 (FSE)	110
30	40	98	104	65	6SL3210-1PC31-1xL0			150
37	50	126	130	65	6SL3210-1PC31-3xL0			175
45	60	149	154	65	6SL3210-1PC31-6xL0	6SL3262-1CF00-0BA0	KIT 7 (FSF)	200
55	60	172	178	65	6SL3210-1PC31-8xL0			250
<b>PM240-2, 3AC 380 V ... 480 V<sup>2)</sup></b>								
18.5	25	32	34	65	6SL3210-1PE23-8xL0	6SL3262-1CD00-0BA0	KIT 5 (FSD)	60
22	30	37	40	65	6SL3210-1PE24-5xL0			70
30	40	49	52	65	6SL3210-1PE26-0xL0			90
37	50	61	65	65	6SL3210-1PE27-5xL0			100
45	60	74	77	65	6SL3210-1PE28-8xL0	6SL3262-1CE00-0BA0	KIT 6 (FSE)	125
55	75	91	96	65	6SL3210-1PE31-1xL0			150
75	100	120	124	65	6SL3210-1PE31-5xL0			200
90	125	151	156	65	6SL3210-1PE31-8xL0	6SL3262-1CF00-0BA0	KIT 7 (FSF)	250
110	150	174	180	65	6SL3210-1PE32-1xL0			300
132	200	232	240	65	6SL3210-1PE32-5xL0			350
<b>PM240-2, 3AC 500 V ... 690 V<sup>2)</sup></b>								
11	10	11	11	65	6SL3210-1PH21-4xL0	6SL3262-1CD00-0BA0	KIT 5 (FSD)	20
15	15	16	17	65	6SL3210-1PH22-0xL0			25
18.5	20	21	22	65	6SL3210-1PH22-3xL0			30
22	25	25	27	65	6SL3210-1PH22-7xL0			35
30	30	30	32	65	6SL3210-1PH23-5xL0			50
37	40	39	41	65	6SL3210-1PH24-2xL0			60
45	50	50	52	65	6SL3210-1PH25-2xL0	6SL3262-1CE00-0BA0	KIT 6 (FSE)	80
55	60	59	62	65	6SL3210-1PH26-2xL0			80
75	75	75	77	65	6SL3210-1PH28-0xL0			110
90	100	96	99	65	6SL3210-1PH31-0xL0	6SL3262-1CF00-0BA0	KIT 7 (FSF)	150
110	100	111	115	65	6SL3210-1PH31-2xL0			150
132	125	121	125	65	6SL3210-1PH31-4xL0			200
<b>PM240P-2, 3AC 380 V ... 480 V<sup>3)</sup></b>								
22	25	32	34	65	6SL3210-1RE24-5xL0	6SL3262-1CD00-0BA0	KIT 5 (FSD)	70
30	30	38	40	65	6SL3210-1RE26-0xL0			90
37	40	49	52	65	6SL3210-1RE27-5xL0			100
45	50	62	65	65	6SL3210-1RE28-8xL0			125
55	60	73	77	65	6SL3210-1RE31-1xL0	6SL3262-1CE00-0BA0	KIT 6 (FSE)	150
75	75	93	96	65	6SL3210-1RE31-5xL0			200
90	100	120	124	65	6SL3210-1RE31-8xL0			250
110	125	151	156	65	6SL3210-1RE32-1xL0	6SL3262-1CF00-0BA0	KIT 7 (FSF)	300
132	150	174	180	65	6SL3210-1RE32-5xL0			350
<b>PM240P-2, 3AC 500 V ... 690 V<sup>3)</sup></b>								
11	10	11	11	65	6SL3210-1RH21-4xL0	6SL3262-1CD00-0BA0	KIT 5 (FSD)	20
15	15	16	17	65	6SL3210-1RH22-0xL0			25
18.5	20	21	22	65	6SL3210-1RH22-3xL0			30
22	25	25	27	65	6SL3210-1RH22-7xL0			35
30	30	30	32	65	6SL3210-1RH23-5xL0			50
37	40	39	41	65	6SL3210-1RH24-2xL0			60
45	50	50	52	65	6SL3210-1RH25-2xL0	6SL3262-1CE00-0BA0	KIT 6 (FSE)	80
55	60	59	62	65	6SL3210-1RH26-2xL0			80
75	75	75	77	65	6SL3210-1RH28-0xL0			110
90	100	96	99	65	6SL3210-1RH31-0xL0	6SL3262-1CF00-0BA0	KIT 7 (FSF)	150
110	100	112	115	65	6SL3210-1RH31-2xL0			150
132	125	121	125	65	6SL3210-1RH31-4xL0			200

<sup>1)</sup> x: A = C2 for filtered drives; U = unfiltered drives  
<sup>2)</sup> x: A = C2 for filtered drives/C3 for 690 V FSF; U = unfiltered drives  
<sup>3)</sup> x: A = C2 for filtered drives/C3 for 690 V FSF; U = unfiltered drives  
y: B = USS communication variant; F = PN communication variant