

## SIRIUS

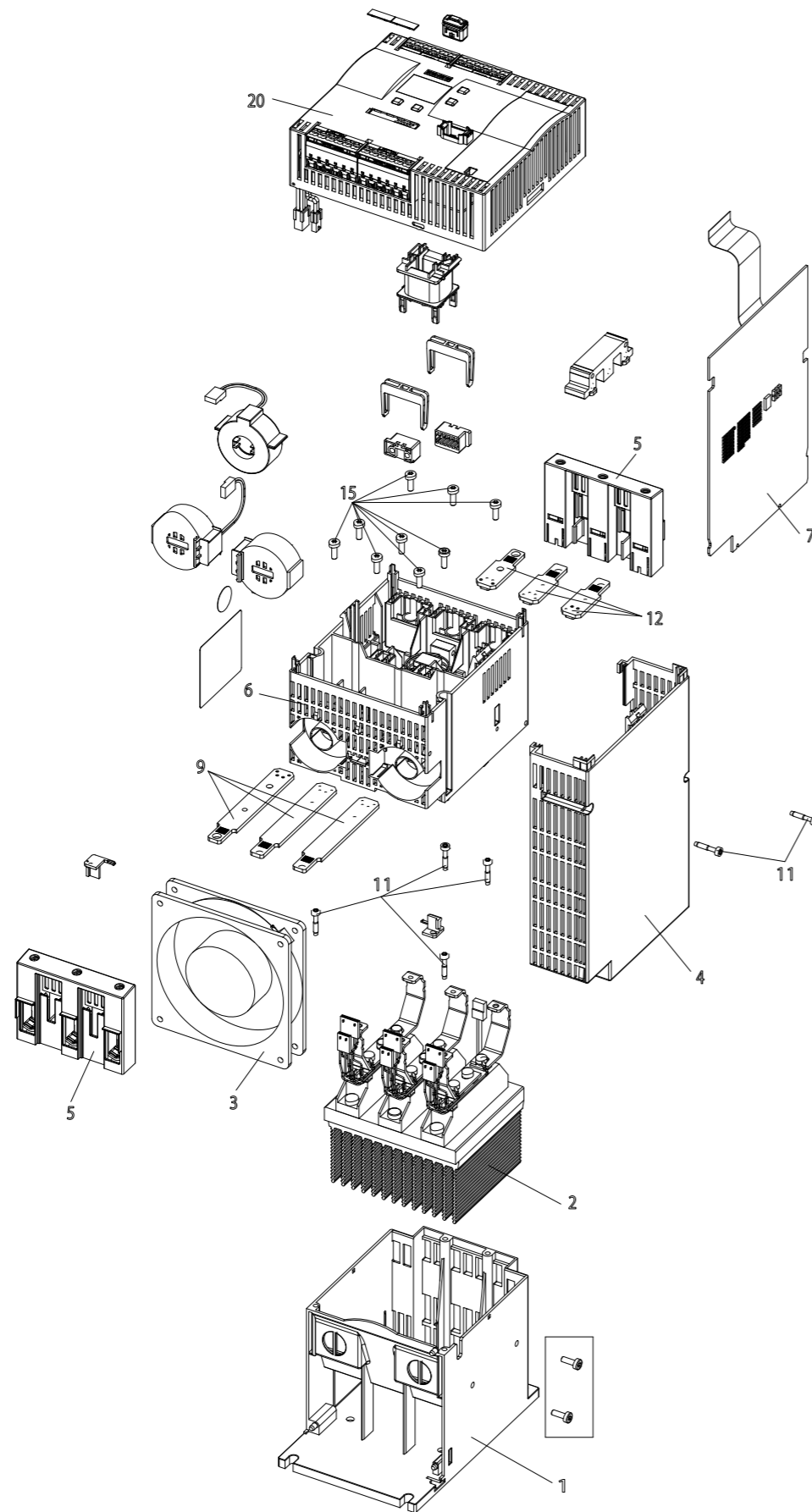
DE	Ersatzteile für Sanftstarter 3RW44 Explosionszeichnungen
EN	Spare parts for soft starter 3RW44 Exploded sketches
FR	Des pièces de rechange pour démarreur progressif 3RW44 Des dessins d'explosion
ES	Escatime partes para arrancador suave 3RW44 Esbozos hechos explotar
IT	Pezzi di ricambio perché softstarter 3RW44 Abbozzi esplosi
TR	3RW44 yumuşak yol verici için yedek parçalar Parça şemaları
中文	备用零件为软起动器 3RW44 推翻素描



DE		<b>GEFAHR</b> Lebensgefahr durch Berührung unter Spannung stehender Teile Das vorliegende Gerät / Teil führt gefährliche Spannungen. Beim Berühren unter Spannung stehender Teile erleiden Sie Tod oder schwere Körperverletzungen. Die gefährliche Spannung steht im Geräteinneren bis zu 2 Minuten nach Abschalten der Versorgungsspannungen an. Installation, Inbetriebnahme und Wartung nur durch qualifiziertes Fachpersonal. Beachten Sie die Hinweise in den Betriebsanleitungen und Handbüchern des zugehörigen Sanftstarters.
EN		<b>DANGER</b> Danger to life when live parts are touched This device/part carries dangerous voltages. Death or serious injury will result if you touch live parts. The dangerous voltage is still present inside the device for up to 2 minutes after the supply voltages have been disconnected. Installation, commissioning and maintenance by qualified technicians only. Read the information provided in the operating instructions and manuals of the corresponding Soft Starter.
FR	 	<b>DANGER</b> Danger de mort par contact avec les pièces sous tension Cet appareil / ce composant est soumis à des tensions dangereuses. Un contact avec les pièces sous tension entraîne la mort ou des blessures graves. La tension reste dangereuse à l'intérieur de l'appareil 2 minutes après la coupure des tensions d'alimentation. L'installation, la mise en service et la maintenance doivent être effectuées uniquement par du personnel spécialisé qualifié. Veuillez tenir compte des consignes figurant dans les instructions de service et les manuels du démarreur progressif correspondant.
ES	 	<b>PELIGRO</b> Peligro de muerte al tocar piezas bajo tensión Existen tensiones peligrosas en el equipo/la pieza. Tocar piezas que están bajo tensión puede provocar lesiones corporales graves o incluso la muerte. La tensión peligrosa sigue estando presente en el interior del equipo hasta 2 minutos después de desconectar las tensiones de alimentación. La instalación, la puesta en marcha y el mantenimiento deben encomendarse exclusivamente a personal especializado. Tenga en cuenta las indicaciones proporcionadas en las instrucciones de servicio y los manuales del arrancador suave en cuestión.
IT	 	<b>PERICOLO</b> Pericolo di morte al contatto con componenti sotto tensione Nel presente dispositivo / componente sono presenti tensioni pericolose. Il contatto con componenti sotto tensione può comportare pericolo di morte e gravi lesioni fisiche. La tensione pericolosa è presente all'interno del dispositivo per altri 2 minuti dopo la disinserzione delle tensioni di alimentazione. L'installazione, la messa in servizio e la manutenzione possono essere eseguite solo da personale qualificato. Osservare le avvertenze nelle istruzioni operative e nei rispettivi manuali dell'avviatore dolce (o sanftstarter).
TR		<b>TEHLİKE</b> Gerilim altındaki parçalara temas nedeniyle ölüm tehlikesi Mevcut cihaz / parça, tehlikeli gerilimler taşır. Gerilim altındaki parçalara temas etmeniz, ölüm veya ağır bedensel yaralanma ile sonuçlanır. Besleme gerilimi kapatıldıktan sonra 2 dakikaya boyunca cihazın iç kısmında tehlikeli gerilim devam eder. Kurulum, işleme alma ve bakım çalışmalarının, yalnızca kalifiye personel tarafından yapılmasına izin verilir. İlgili yumuşak yol vericinin işletme kılavuzlarındaki ve el kitaplarındaki uyarıları dikkat alın.
中文		<b>危险</b> 触摸带电部件有生命危险 该设备 / 部件带有危险电压。触摸带电部件可造成严重身体伤害甚至死亡。电源电压断开后，设备内的危险电压仍然存在最长 2 分钟。只能由有资质的专业人员进行安装、调试和维护。请遵守操作说明和相关软起动器手册中的说明。



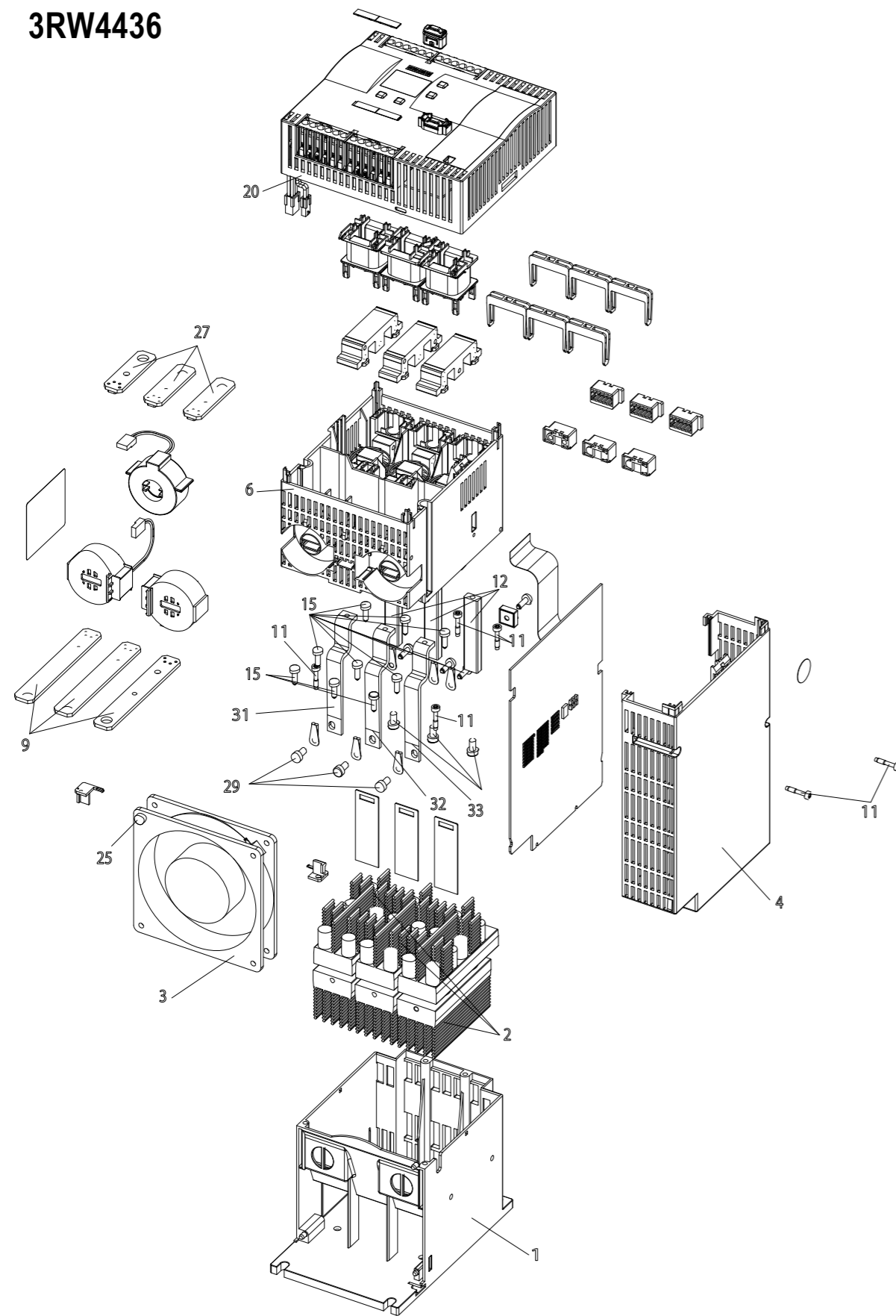
**3RW4422**  
**3RW4423**  
**3RW4424**  
**3RW4425**  
**3RW4426**  
**3RW4427**  
**3RW4434**  
**3RW4435**



Position	Article number (Soft Starter)	Article number (Spare part)
3	3RW4424-.BC3. (115 V)	3RW4936-8VX30
	3RW4425-.BC3. (115 V)	
	3RW4426-.BC3. (115 V)	
	3RW4427-.BC3. (115 V)	
	3RW4434-.BC3. (115 V)	
	3RW4435-.BC3. (115 V)	
	3RW4424-.BC4. (230 V)	3RW4936-8VX40
	3RW4425-.BC4. (230 V)	
	3RW4426-.BC4. (230 V)	
	3RW4427-.BC4. (230 V)	
	3RW4434-.BC4. (230 V)	
	3RW4435-.BC4. (230 V)	
5	3RW442.	3RW4727-0RC00
7	3RW442.-.BC.4 (460 V)	3RW4727-0VC70
	3RW443.-.BC.4 (460 V)	3RW4743-0VC70
	3RW442.-.BC.5 (600 V)	3RW4727-0VC80
	3RW443.-.BC.5 (600 V))	3RW4743-0VC80
	3RW442.-.BC.6 (690 V)	3RW4727-0VC50
	3RW443.-.BC.6 (690 V)	3RW4745-0VC50
20	3RW4422-.BC4. (230 V)	3RW4722-1SC44
	3RW4423-.BC4. (230 V)	3RW4723-1SC44
	3RW4424-.BC4. (230 V)	3RW4724-1SC44
	3RW4425-.BC4. (230 V)	3RW4725-1SC44
	3RW4426-.BC4. (230 V)	3RW4726-1SC44
	3RW4427-.BC4. (230 V)	3RW4727-1SC44
	3RW4434-.BC4. (230 V)	3RW4734-6SC44
	3RW4435-.BC4. (230 V)	3RW4735-6SC44

Position	Assembly	Screws	Tightening torque
15	2 - 9	M4 x 12	230 Ncm
15	2 - 12	M4 x 12	230 Ncm
15	6 - 9	M4 x 12	200 Ncm
15	6 - 12	M4 x 12	200 Ncm
15	2 - 1	M4 x 12	230 Ncm
11	6 - 1	3,5mm x 18,5	140 Ncm
11	6 - 4	3,5mm x 18,5	120 Ncm

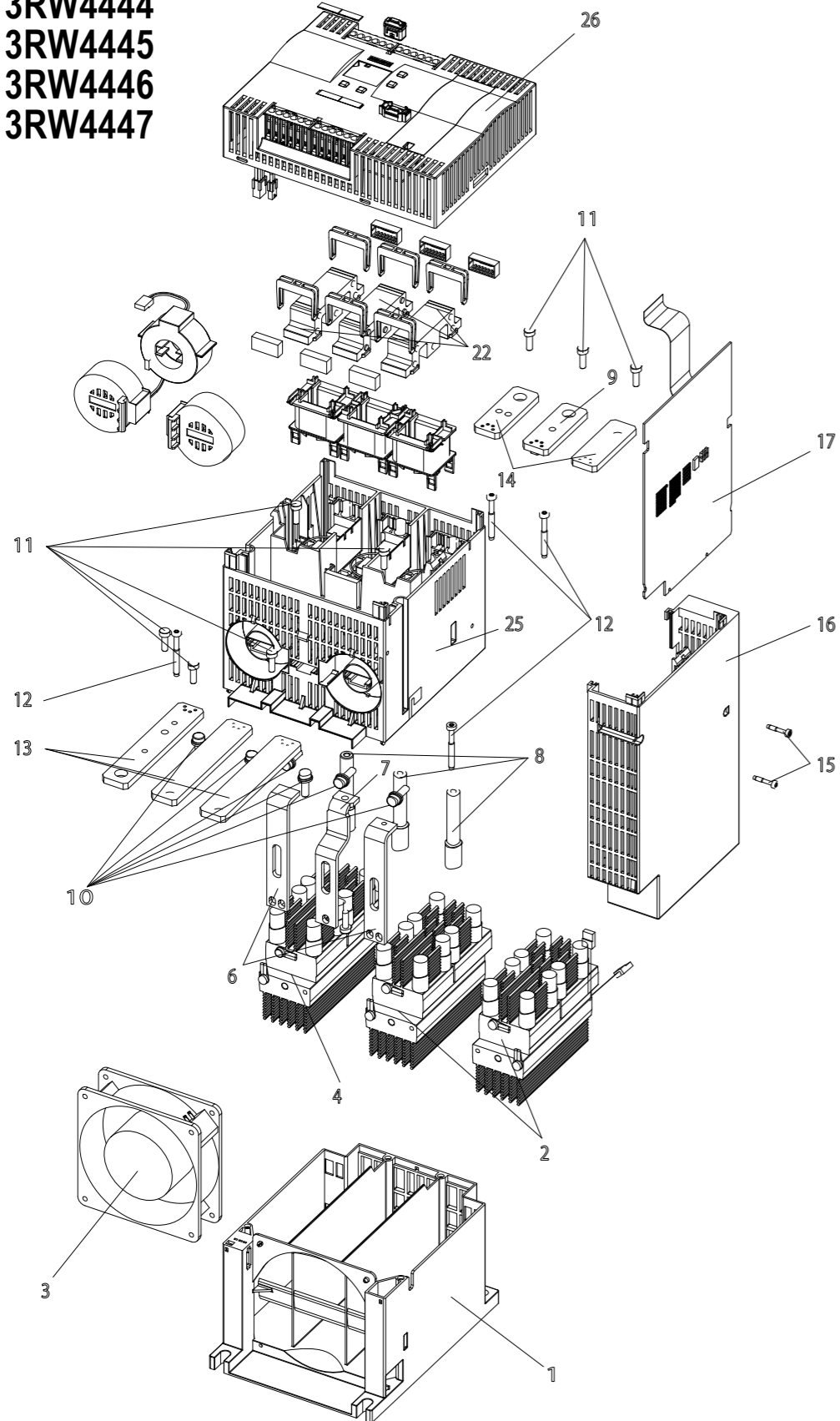
# 3RW4436



Position	Article number (Soft Starter)	Article number (Spare part)
3	3RW4436-BC3. (115 V)	3RW4936-8VX30
	3RW4436-BC4. (230 V)	3RW4936-8VX40
7	3RW443.-BC.4 (460 V)	3RW4743-0VC70
	3RW443.-BC.5 (600 V)	3RW4743-0VC80
	3RW443.-BC.6 (690 V)	3RW4745-0VC50
20	3RW4436-BC4. (230 V)	3RW4736-6SC44

Position	Assembly	Screws	Tightening torque
29	2 - 12	M5 x 10	350 Ncm
29	2 - 31	M5 x 10	350 Ncm
29	2 - 32	M5 x 10	350 Ncm
29	2 - 33	M5 x 10	350 Ncm
15	12 - 9	M4 x 12	230 Ncm
15	31 - 9	M4 x 12	230 Ncm
15	32 - 9	M4 x 12	230 Ncm
15	33 - 9	M4 x 12	230 Ncm
15	6 - 9	M4 x 12	200 Ncm
11	6 - 1	3,5mm x 18,5	140 Ncm
11	6 - 4	3,5mm x 18,5	120 Ncm

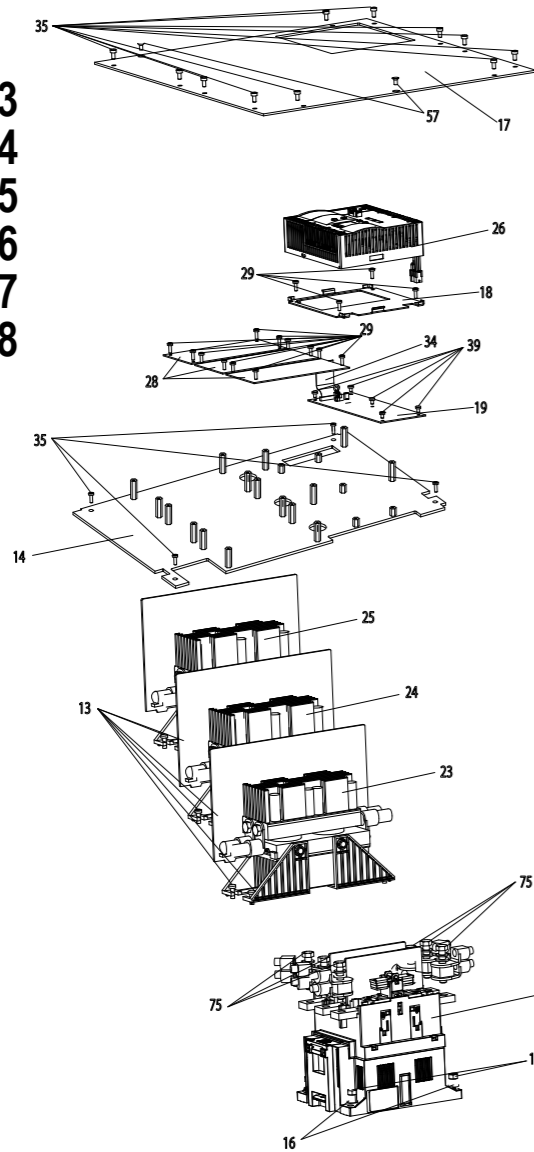
**3RW4443**  
**3RW4444**  
**3RW4445**  
**3RW4446**  
**3RW4447**



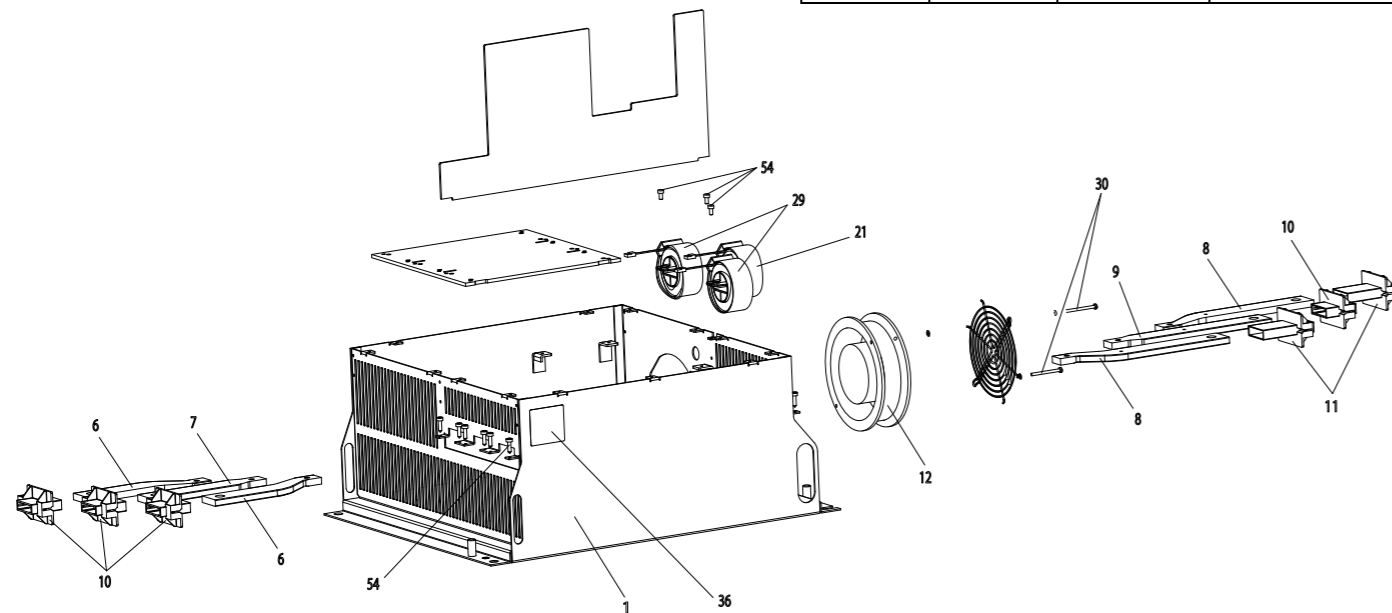
Position	Article number (Soft Starter)	Article number (Spare part)	Position	Article number (Soft Starter)	Article number (Spare part)	
1	3RW444.	3RW4747-0UC00	17	3RW4443-.BC.4 (460 V)	3RW4743-0VC70	
2	3RW4443	2 x 3RW4743-0LC00		3RW4444-.BC.4 (460 V)	3RW4745-0VC70	
	3RW4444	2 x 3RW4745-0LC00		3RW4445-.BC.4 (460 V)	3RW4747-0VC70	
	3RW4445			3RW4446-.BC.4 (460 V)		
	3RW4446	2 x 3RW4746-0LC00		3RW4447-.BC.4 (460 V)	3RW4743-0VC80	
3RW4447	2 x 3RW4747-0LC00	3RW4443-.BC.5 (600 V)	3RW4743-0VC80			
4	3RW4443	3RW4743-0NC00	17	3RW4444-.BC.5 (690 V)	3RW4745-0VC50	
	3RW4444	3RW4745-0NC00		3RW4445-.BC.5 (690 V)	3RW4746-0VC50	
	3RW4445			3RW4446-.BC.5 (690 V)		
	3RW4446	3RW4746-0NC00		3RW4447-.BC.5 (690 V)		3RW4746-0VC50
	3RW4447	3RW4747-0NC00		3RW4443-.BC.6 (690 V)		
3	3RW444.-.BC3. (115 V)	3RW4947-8VX30	3RW4444-.BC.6 (690 V)	3RW4747-0VC50		
	3RW444.-.BC4. (230 V)	3RW4947-8VX40	3RW4445-.BC.6 (690 V)			
26	3RW4443-.BC4. (230 V)	3RW4743-6SC44	3RW4446-.BC.6 (690 V)	3RW4747-0VC50		
	3RW4444-.BC4. (230 V)	3RW4744-6SC44	3RW4447-.BC.6 (690 V)			
	3RW4445-.BC4. (230 V)	3RW4745-6SC44	3RW4443-.BC.6 (690 V)	3RW4747-0VC50		
	3RW4446-.BC4. (230 V)	3RW4746-6SC44	3RW4444-.BC.6 (690 V)			
	3RW4447-.BC4. (230 V)	3RW4747-6SC44	3RW4445-.BC.6 (690 V)			

Position	Assembly	Screws	Tightening torque
10	2 - 6	M6 x 20	730 Ncm
10	2 - 7	M6 x 20	730 Ncm
10	2 - 8	M6 x 20	730 Ncm
10	4 - 6	M6 x 20	730 Ncm
10	4 - 8	M6 x 20	730 Ncm
11	6 - 13	M5 x 16	500 Ncm
11	6 - 14	M5 x 16	500 Ncm
11	8 - 9	M5 x 16	650 Ncm
11	8 - 14	M5 x 16	650 Ncm
11	25 - 9	M5 x 16	400 Ncm
11	25 - 13	M5 x 16	400 Ncm
11	25 - 14	M5 x 16	400 Ncm
12	25 - 1	5 mm x 40	350 Ncm
15	25 - 16	3,5 mm x 18,5	120 Ncm

**3RW4453**  
**3RW4454**  
**3RW4455**  
**3RW4456**  
**3RW4457**  
**3RW4458**



Position	Assembly	Screws	Tightening torque
15	22 - 1	M8	1200 Ncm
75	6 - 22	M10 x 49,3	2500 Ncm
75	7 - 22	M10 x 49,3	2500 Ncm
75	8 - 22	M10 x 49,3	2500 Ncm
75	9 - 22	M10 x 49,3	2500 Ncm
54	10 - 1	M5 x 18	250 Ncm
54	11 - 1	M5 x 18	250 Ncm
13	23 - 1	M6 x 16	480 Ncm
13	24 - 1	M6 x 16	480 Ncm
13	25 - 1	M6 x 16	480 Ncm
35	14 - 1	M5 x 10	300 Ncm
54	20 - 8	M5 x 10	300 Ncm
54	21 - 9	M5 x 10	300 Ncm
35/57	17 - 1	M5 x 10	300 Ncm
39	19 - 14	M4 x 7 / M4 x 12	90 Ncm
29	28 - 14	M4 x 7 / M4 x 12	90 Ncm
29	18 - 14	M4 x 12	90 Ncm
30	12 - 1	M4 x 50	130 Ncm
-	12 -	M4 x 12	130 Ncm
-		M4 x 12	130 Ncm

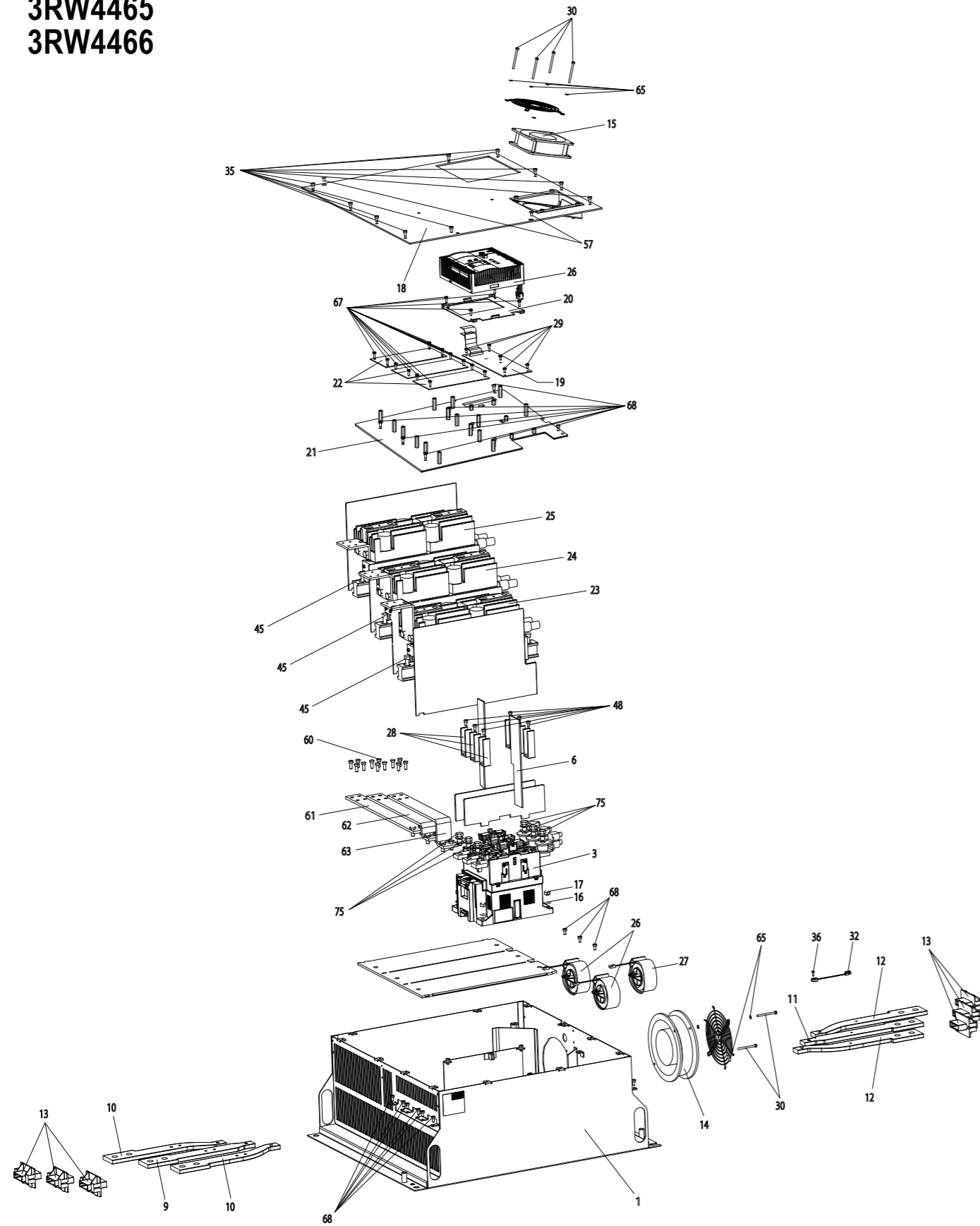


Position	Article number (Soft Starter)	Article number (Spare part)
23 / 24 / 25	3RW4453	2 x 3RW4755-0LC00
	3RW4454	
	3RW4455	
	3RW4456	2 x 3RW4758-0LC00
	3RW4457	
	3RW4458	
23 / 24 / 25	3RW4453	3RW4755-0NC00
	3RW4454	
	3RW4455	
	3RW4456	3RW4758-0NC00
	3RW4457	
	3RW4458	
22	3RW4453	3RW4755-0KC00
	3RW4454	
	3RW4455	
	3RW4456	3RW4766-0KC00
	3RW4457	
	3RW4458	
26	3RW4453-.BC.4 (230 V)	3RW4753-6SC44
	3RW4454-.BC.4 (230 V)	3RW4754-6SC44
	3RW4455-.BC.4 (230 V)	3RW4755-6SC44
	3RW4456-.BC.4 (230 V)	3RW4756-6SC44
	3RW4457-.BC.4 (230 V)	3RW4757-6SC44
	3RW4458-.BC.4 (230 V)	3RW4758-6SC44

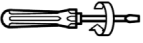


Position	Article number (Soft Starter)	Article number (Spare part)
28	3RW4453-.BC.4 (460 V)	3RW4756-0WC70
	3RW4454-.BC.4 (460 V)	
	3RW4455-.BC.4 (460 V)	
	3RW4456-.BC.4 (460 V)	3RW4766-0WC70
	3RW4457-.BC.4 (460 V)	
	3RW4458-.BC.4 (460 V)	
28	3RW4453-.BC.5 (690 V)	3RW4756-0WC50
	3RW4454-.BC.5 (690 V)	
	3RW4455-.BC.5 (690 V)	
	3RW4456-.BC.5 (690 V)	3RW4766-0WC50
	3RW4457-.BC.5 (690 V)	
	3RW4458-.BC.5 (690 V)	
19	3RW445-.BC.4 (460 V)	3RW4766-0VC70
	3RW445-.BC.5 (690 V)	3RW4766-0VC50
	3RW445-.BC.6 (690 V)	
12	3RW445-.BC.3 (115 V)	3RW4957-8VX30
	3RW445-.BC.4 (230 V)	3RW4957-8VX40



# 3RW4465 3RW4466



Position	Article number (Soft Starter)	Article number (Spare part)
14 / 15	3RW446-.BC3.2. (115 V)	3RW4957-8VX30
	3RW446-.BC4.2. (230 V)	3RW4957-8VX40
	3RW446-.BC3. (115 V)	3RW4966-8VX30
	3RW446-.BC4.3. (230 V)	3RW4966-8VX40
22	3RW4465-.BC.5 (690 V)	3RW4766-0WC50
	3RW4465-.BC.6 (690 V)	
	3RW4466-.BC.5 (690 V)	
	3RW4466-.BC.6 (690 V)	
19	3RW446-.BC.4 (460 V)	3RW4766-0VC70
	3RW446-.BC.5 (690 V)	3RW4766-0VC50
	3RW446-.BC.6 (690 V)	
23 / 24 / 25	3RW4465	2 x 3RW4766-0LC00
	3RW4466	
23 / 24 / 25	3RW4465	3RW4766-0NC00
	3RW4466	
3	3RW4465	3RW4766-0KC01
	3RW4466	
26	3RW4465-.BC4. (230 V)	3RW4765-6SC44
	3RW4466.BC4. (230 V)	3RW4766-6SC44

Position	Assembly	Screws	Tightening torque
17	3 - 1	M8	1200 Ncm
75	9 - 3	M10 x 49,3	2500 Ncm
75	10 - 3	M10 x 49,3	2500 Ncm
75	11 - 3	M10 x 49,3	2500 Ncm
75	12 - 3	M10 x 49,3	2500 Ncm
68	13 - 1	M5 x 18	250 Ncm
45	23 - 1	M8 x 40	1500 Ncm
45	24 - 1	M8 x 40	1500 Ncm
45	25 - 1	M8 x 40	1500 Ncm
60	23 - 63	M10 x 18	2500 Ncm
60	24 - 62	M10 x 18	2500 Ncm
60	25 - 61	M10 x 18	2500 Ncm
68	26 - 12	M5 x 10	300 Ncm
68	27 - 11	M5 x 10	300 Ncm
68	21 - 1	M5 x 10	300 Ncm
35/57	18 - 1	M5 x 10	300 Ncm
29	19 - 21	M4 x 7 / M4 x 12	90 Ncm
67	22 - 21		
67	20 - 21	M4 x 12	90 Ncm
30	14 - 1	M4 x 50	130 Ncm
30	15 - 1	M4 x 50	130 Ncm
36	32 - 11	M3 x 10	
-	14 / 15 - 	M4 x 12	130 Ncm
-	 -1	M4 x 12	130 Ncm