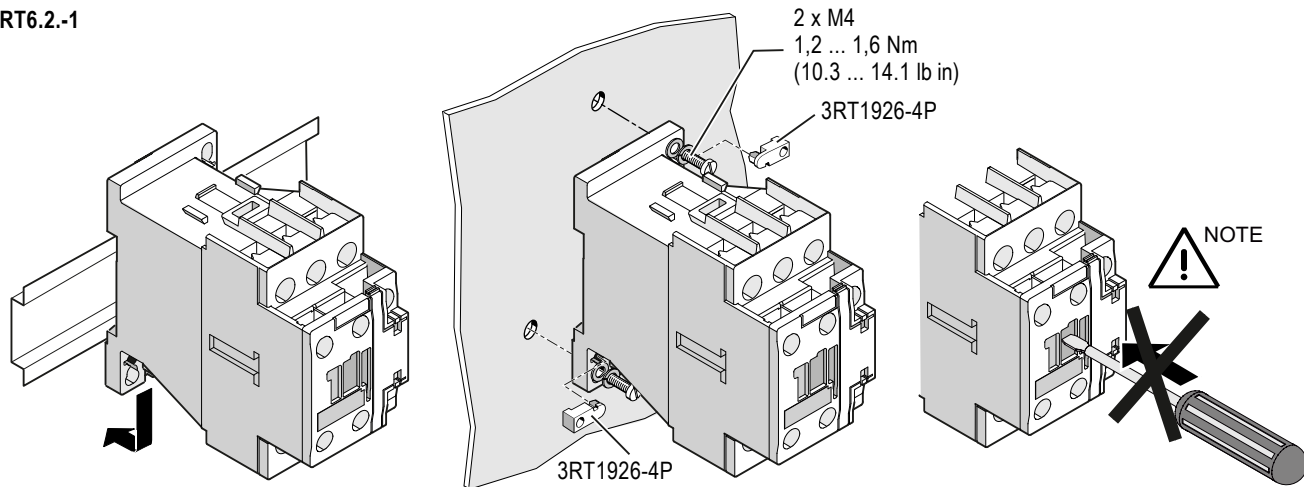




EN		DANGER	Hazardous voltage. Will cause death or serious injury. Turn off and lock out all power supplying this device before working on this device. Installation and maintenance work on this device may only be carried out by an authorized electrician.
中文		危险	危险电压。将导致死亡或严重的人身伤害。 操作本设备前必须切断并锁定所有供电电源。该设备的安装和维护工作仅能由具备专业资格的 电工完成。

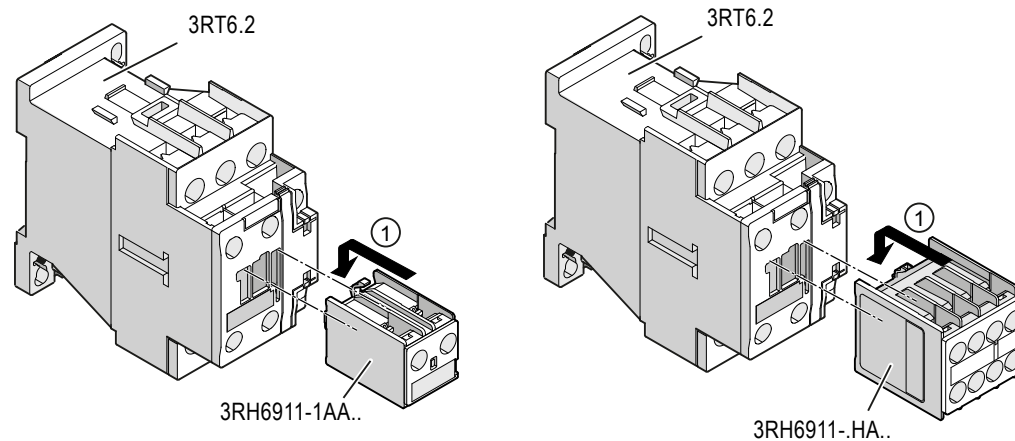
EN	Assembly	中文	安装
----	-----------------	----	-----------

3RT6.2-1



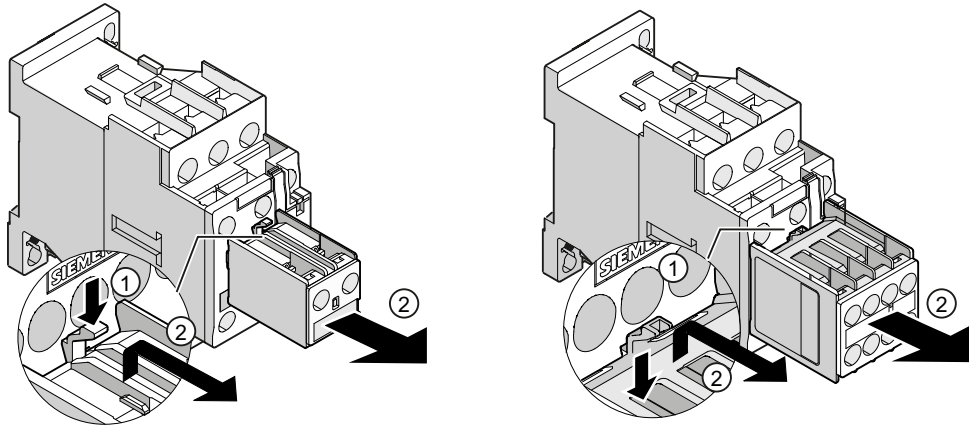
EN	Accessories	中文	附件
----	--------------------	----	-----------

EN	Assembly
中文	安装



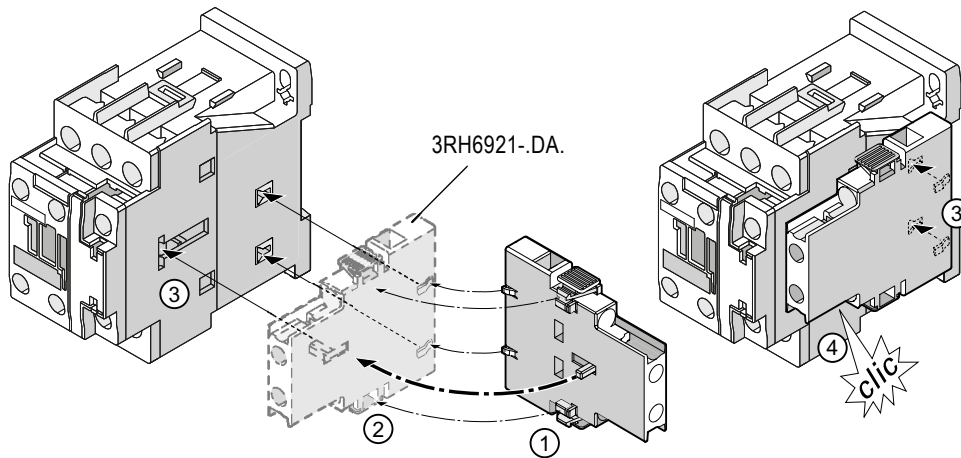
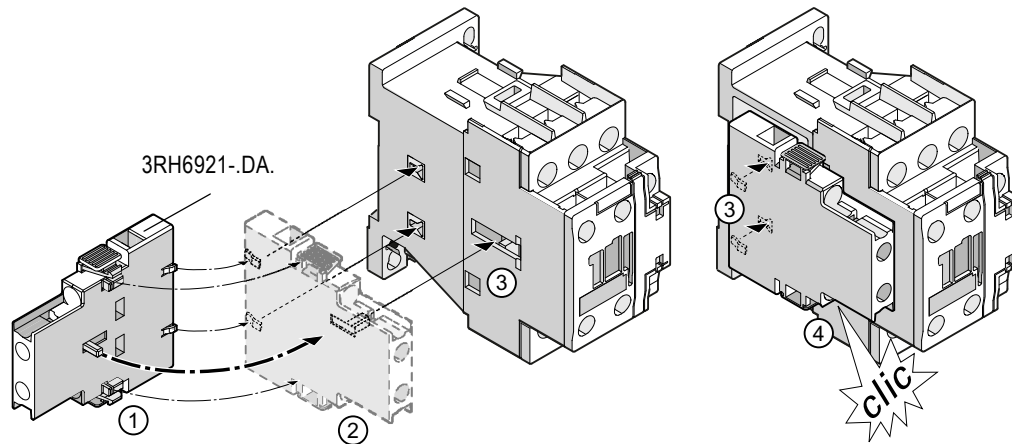
Technical Hotline:	Telephone: +86-400-810-4288 (8:30 - 17:15 UTC+8)	Fax: ++86-10-6471-9991
	E-mail: 4008104288.cn@siemens.com	
	Internet: www.4008104288.com.cn or www.ad.siemens.com.cn/service	

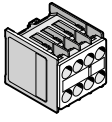
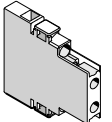
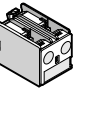
EN	Removal
中文	拆卸



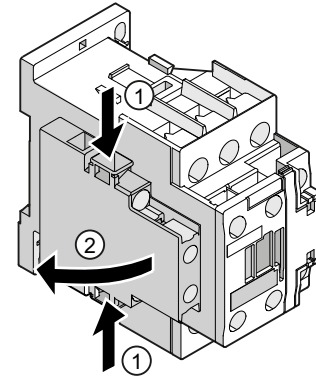
3RH6921-DA.

EN	Assembly
中文	安装



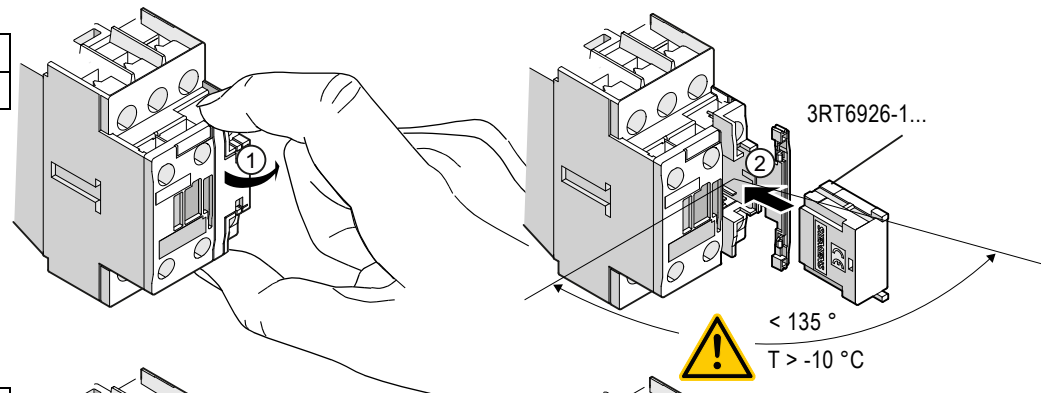
NC/NO: max. Stck. / pc.			
			
3RT6.2.	0	1	1
	1	0	0
	0	1+1	0
3RT6.2.-K	—	—	—
3RT6.2.	Σ NC max. 4		

EN	Removal
中文	拆卸

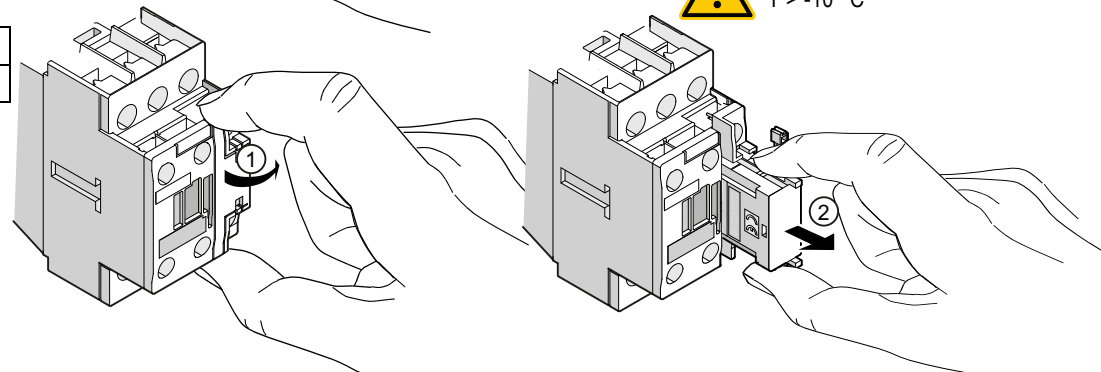


3RT6926-1...

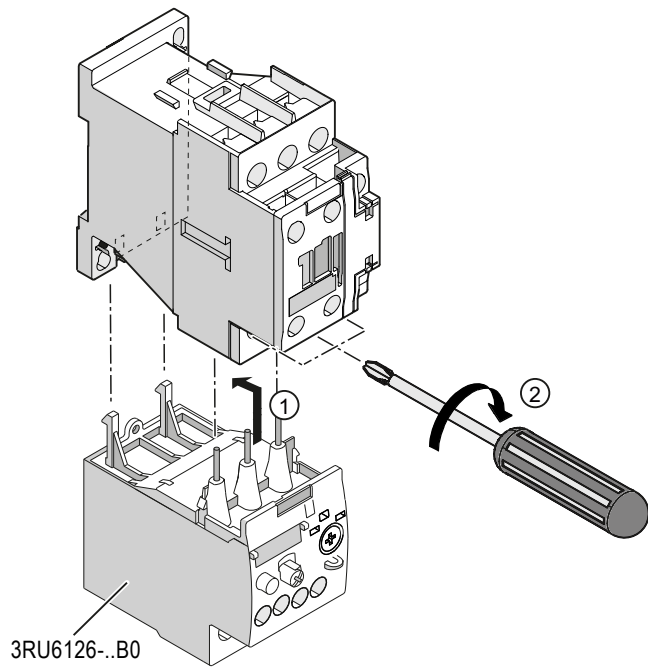
EN	Assembly
中文	安装





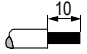
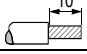

EN	Removal
中文	拆卸



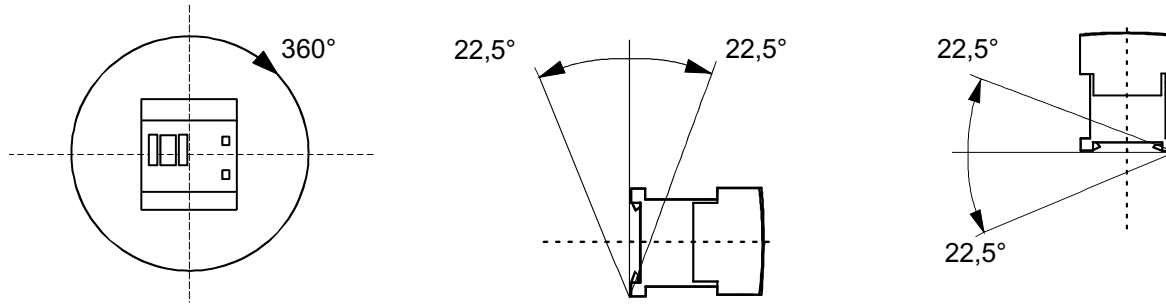
3RU6126-..0



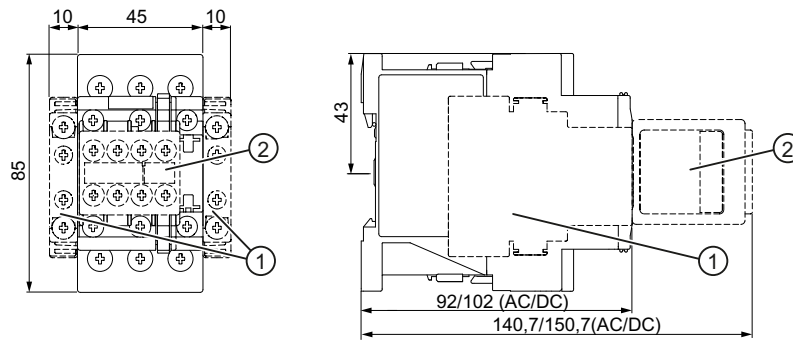
EN	Connect	中文	连接
----	---------	----	----

	3RT6.2.-1 (L1, L2, L3)	3RT6.2.-1 (A1/A2, NO/NC) 3RH6911-1 3RH6921-1
		
	PZ 2: \varnothing (5 ... 6 mm) M4: 2,0 ... 2,5 Nm (18 to 22 lb.in)	PZ 2 (\varnothing 5 ... 6 mm) M3: 0,8 ... 1,2 Nm (7 to 10.3 lb.in)
	2 x (1,0 ... 2,5) mm ² 2 x (2,5 ... 10) mm ²	2 x (0,5 ... 1,5) mm ² 2 x (0,75 ... 2,5) mm ²
	—	—
 DIN 46 228 T1	2 x (1 ... 2,5) mm ² 2 x (2,5 ... 6,0) mm ² max. 1 x 10 mm ²	2 x (0,5 ... 1,5) mm ² 2 x (0,75 ... 2,5) mm ²
AWG	2 x (16 to 12) 2 x (14 to 8)	2 x (20 to 16) 2 x (18 to 14)

3RT6.2-.....-1...



3RT6.2.-1



- (1) 3RH6921-1DA..
- (2) 3RH6911-1HA..

3RT6.2.-1

