


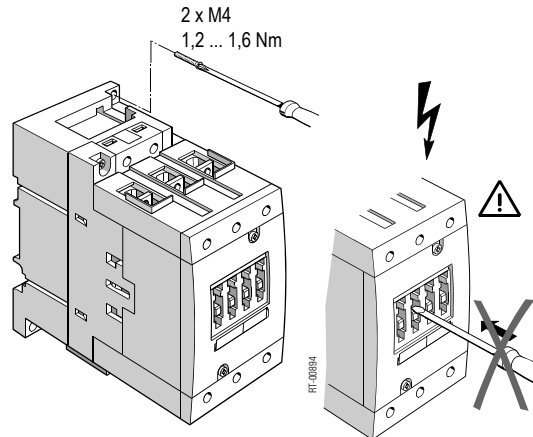
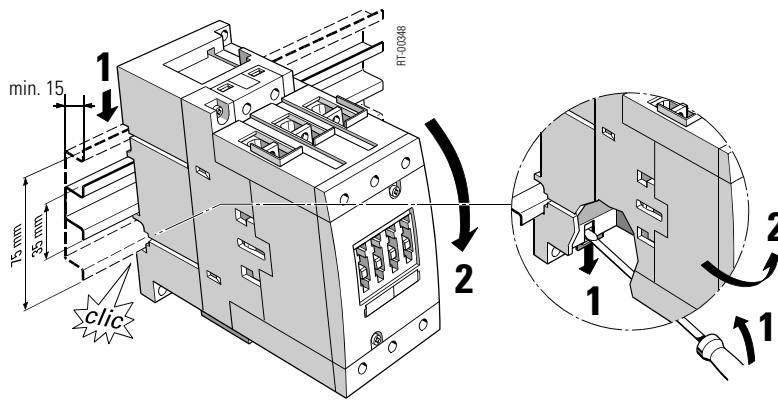


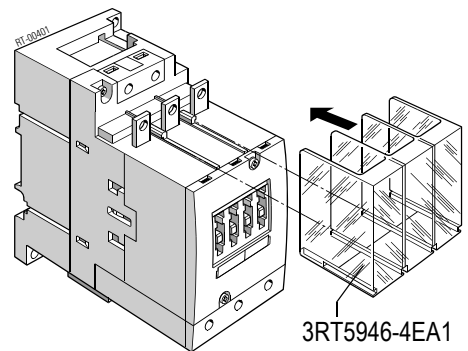
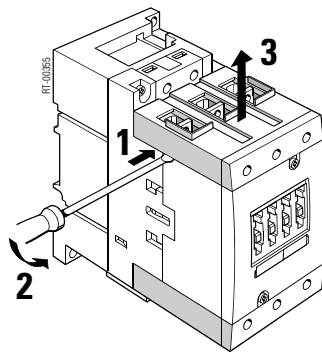
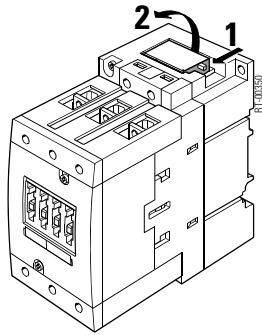
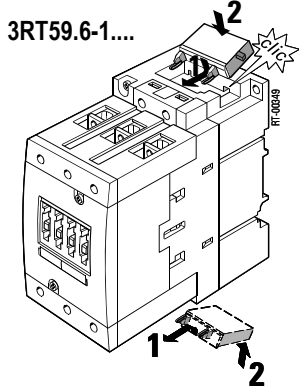
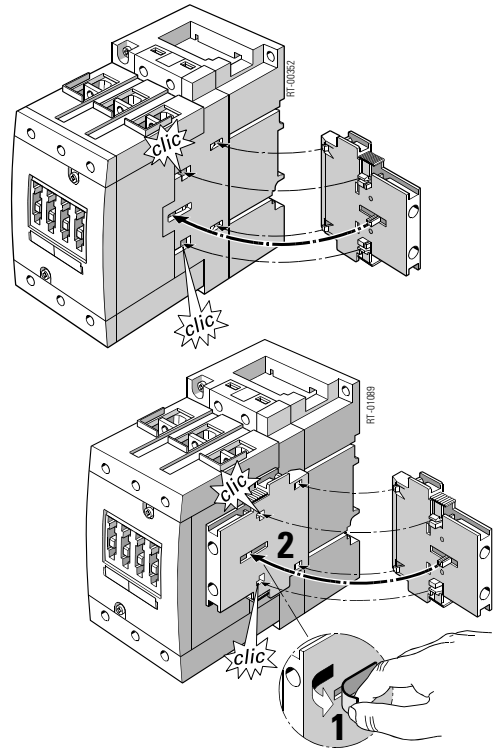
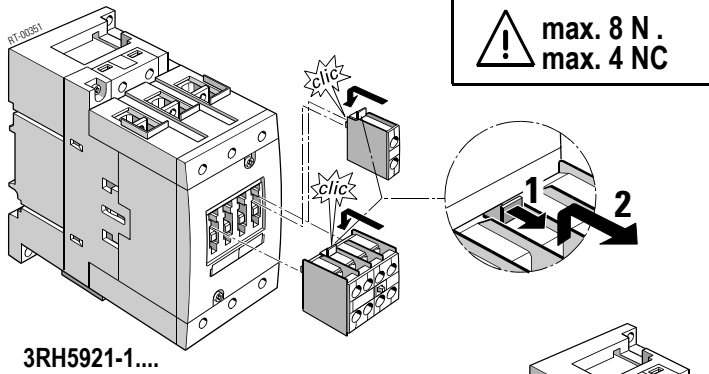
Operating Instructions 使用说明

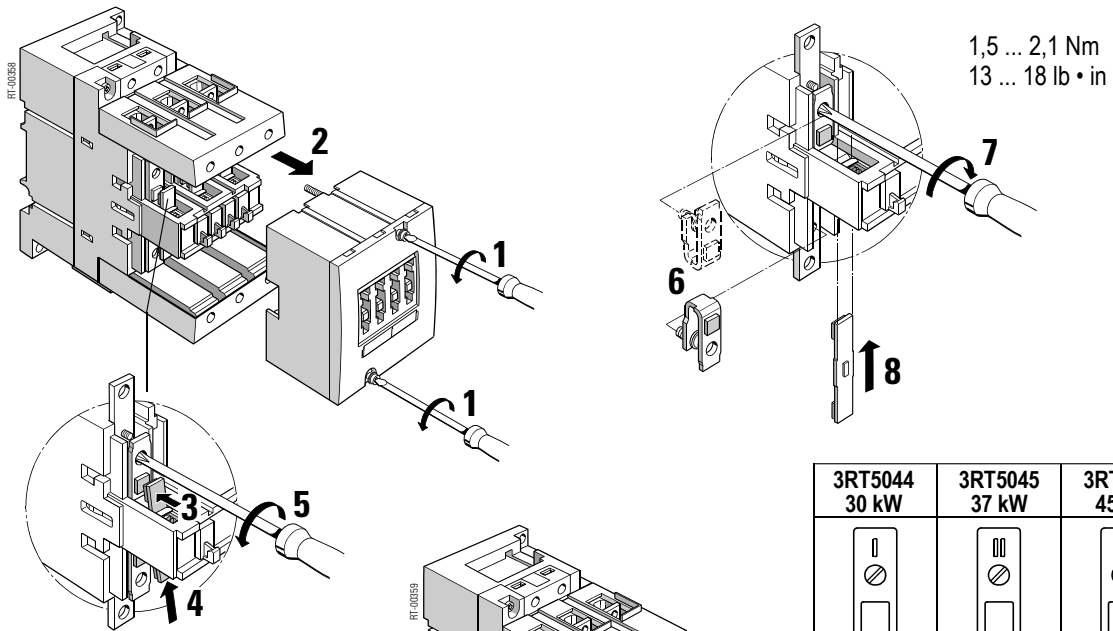
		⚠ DANGER	CAUTION
English	<p>Read and understand these instructions before installing, operating, or maintaining the equipment.</p>	<p>Hazardous voltage. Will cause death or serious injury. Turn off and lock out all power supplying this device before working on this device.</p>  	<p>Reliable functioning of the equipment is only ensured with certified components.</p>
中文	<p>安装、使用和维修本设备前必须先阅读并理解本说明。</p>	<p>⚠ 危险</p> <p>危险电压。可能导致生命危险或重伤危险。 操作设备时必须确保切断电源。</p>  	<p>小心</p> <p>只有使用经过认证的部件才能保证设备的正常运转。</p>

EN	Assembly	中文	安装
-----------	-----------------	-----------	-----------

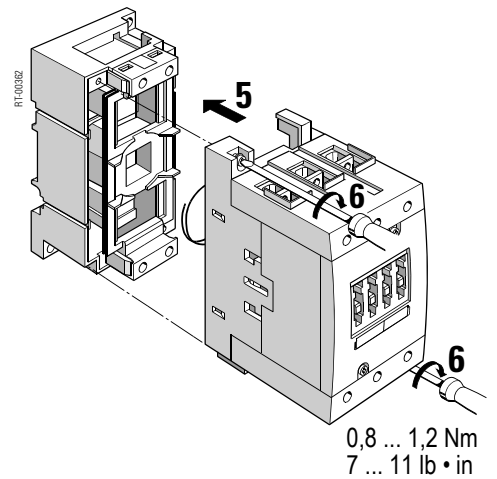
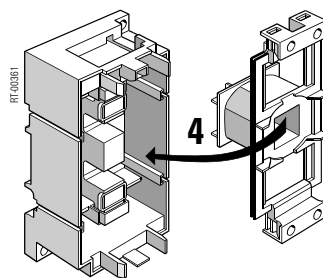
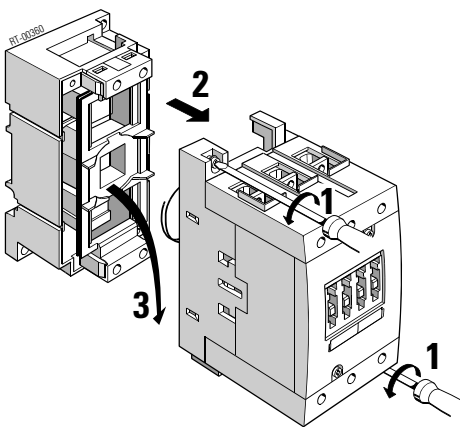
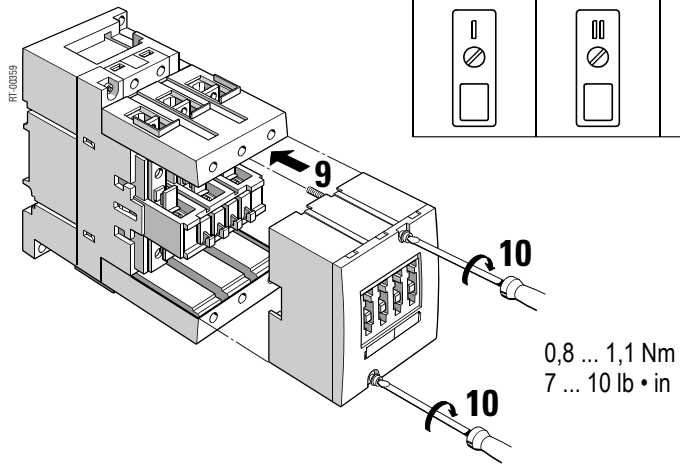


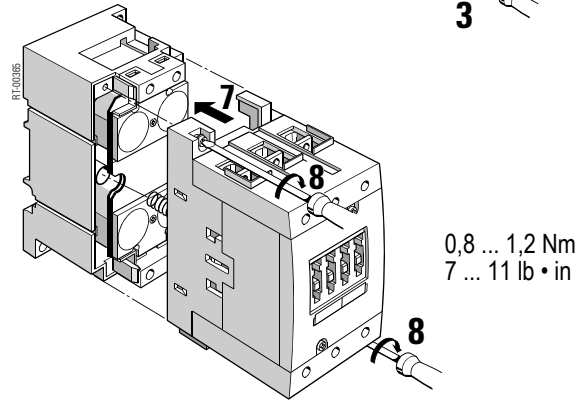
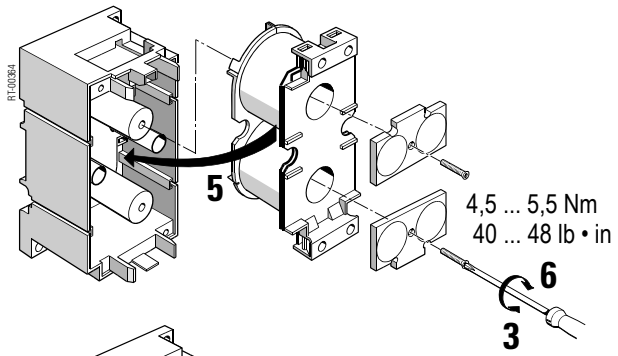
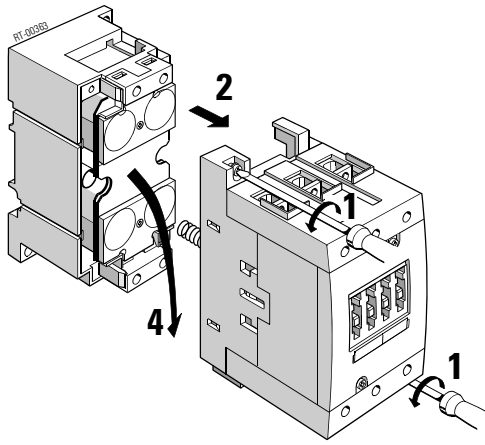
Technical Hotline: Telephone: +86-400-810-4288 (8:30 - 17:15 UTC+8) Fax: ++86-10-6471-9991
 E-mail: 4008104288.cn@siemens.com
 Internet: www.4008104288.com.cn or www.ad.siemens.com.cn/service





3RT5044 30 kW	3RT5045 37 kW	3RT5046 45 kW	3RT5446 140 A (AC-1)





EN	Connect	中文	连接
----	---------	----	----

	A1 / A2; NO / NC 3RH5921-1		L1 ,L2, L3; T1,T2,T3
\varnothing 5 ... 6 mm / PZ2	0,8 ... 1,2 Nm 7 to 10.3 lb • in	min	4 ... 6 Nm 35 to 53 lb • in
10	2 x 0,5 ... 1,5 mm ² 2 x 0,75 ... 2,5 mm ²	17	2 x 2,5 ... 16 mm ²
10	2 x 0,5 ... 2,5 mm ²	17	2 x 2,5 ... 35 mm ² 1 x 2,5 ... 50 mm ²
10	—	17	2 x 10 ... 50 mm ² 1 x 10 ... 70 mm ²
AWG	2 x 18 to 14	AWG	2 x 10 to 1 / 0 1 x 10 to 2 / 0

EN	Dimension drawings (all dimensions in mm)	中文	尺寸图 (单位: mm)
----	--	----	-----------------

