

Industrial Controls

Switching devices SIRIUS 3RT contactors/contactor assemblies


Equipment Manual


| | |
|--|-----------|
| <u>Introduction</u> | 1 |
| <u>Standards</u> | 2 |
| <u>Safety instructions</u> | 3 |
| <u>Product description</u> | 4 |
| <u>Product combinations</u> | 5 |
| <u>Configuration</u> | 6 |
| <u>Mounting</u> | 7 |
| <u>Connection</u> | 8 |
| <u>Accessories</u> | 9 |
| <u>Technical data</u> | 10 |
| <u>Circuit diagrams</u> | 11 |
| <u>Types of coordination</u> | A |
| <u>References</u> | B |
| <u>Dimension drawings (dimensions in mm)</u> | C |


Legal information

Warning notice system

This manual contains notices you have to observe in order to ensure your personal safety, as well as to prevent damage to property. The notices referring to your personal safety are highlighted in the manual by a safety alert symbol, notices referring only to property damage have no safety alert symbol. These notices shown below are graded according to the degree of danger.

| |
|--|
|  DANGER |
| indicates that death or severe personal injury will result if proper precautions are not taken. |

| |
|---|
|  WARNING |
| indicates that death or severe personal injury may result if proper precautions are not taken. |

| |
|--|
|  CAUTION |
| indicates that minor personal injury can result if proper precautions are not taken. |

| |
|--|
| NOTICE |
| indicates that property damage can result if proper precautions are not taken. |


If more than one degree of danger is present, the warning notice representing the highest degree of danger will be used. A notice warning of injury to persons with a safety alert symbol may also include a warning relating to property damage.

Qualified Personnel

The product/system described in this documentation may be operated only by **personnel qualified** for the specific task in accordance with the relevant documentation, in particular its warning notices and safety instructions. Qualified personnel are those who, based on their training and experience, are capable of identifying risks and avoiding potential hazards when working with these products/systems.

Proper use of Siemens products

Note the following:

| |
|--|
|  WARNING |
| Siemens products may only be used for the applications described in the catalog and in the relevant technical documentation. If products and components from other manufacturers are used, these must be recommended or approved by Siemens. Proper transport, storage, installation, assembly, commissioning, operation and maintenance are required to ensure that the products operate safely and without any problems. The permissible ambient conditions must be complied with. The information in the relevant documentation must be observed. |

Trademarks

All names identified by ® are registered trademarks of Siemens AG. The remaining trademarks in this publication may be trademarks whose use by third parties for their own purposes could violate the rights of the owner.

Disclaimer of Liability

We have reviewed the contents of this publication to ensure consistency with the hardware and software described. Since variance cannot be precluded entirely, we cannot guarantee full consistency. However, the information in this publication is reviewed regularly and any necessary corrections are included in subsequent editions.

Table of contents

| | | |
|----------|--|-----------|
| 1 | Introduction | 13 |
| 1.1 | Responsibility of the user for system configuration and functionality..... | 13 |
| 1.2 | Purpose of the manual..... | 14 |
| 1.3 | Required basic knowledge..... | 14 |
| 1.4 | Scope of the manual..... | 14 |
| 1.5 | Siemens Industry Online Support..... | 14 |
| 1.6 | Further documentation..... | 16 |
| 1.7 | DataMatrix code..... | 16 |
| 1.8 | Siemens Industry Online Support app..... | 16 |
| 1.9 | Support Request..... | 17 |
| 2 | Standards | 19 |
| 2.1 | Standards and product approvals..... | 19 |
| 2.2 | Requirements for switching high-efficiency motors..... | 20 |
| 2.3 | IE3 / IE4 ready..... | 20 |
| 2.4 | Voltages..... | 21 |
| 2.5 | Notes on the protection of device connections..... | 21 |
| 2.6 | Reference..... | 21 |
| 2.7 | Protective separation..... | 22 |
| 2.8 | Positively driven contact elements/Mirror contacts..... | 23 |
| 2.9 | Used for stop category 0 / 1..... | 24 |
| 2.10 | Applications..... | 24 |
| 3 | Safety instructions | 27 |
| 3.1 | General safety notes..... | 27 |
| 3.2 | Security information..... | 27 |
| 3.3 | Intended use..... | 28 |
| 3.4 | Current information about operational safety..... | 28 |
| 3.5 | Recycling and disposal..... | 28 |
| 4 | Product description | 29 |
| 4.1 | Overview of the contactor range..... | 29 |
| 4.2 | Device versions..... | 34 |
| 4.2.1 | 3RT2 power contactors..... | 36 |
| 4.2.2 | 3RT1 power contactors..... | 43 |

| | | |
|----------|--|-----------|
| 4.2.3 | 3RH2 contactor relays | 55 |
| 4.2.4 | 3RT26 capacitor contactors | 58 |
| 4.2.5 | 3RA23 reversing contactor assemblies | 63 |
| 4.2.6 | 3RA24 contactor assemblies for star-delta (wye-delta) start | 66 |
| 4.2.7 | Drive options | 70 |
| 4.3 | Reference | 71 |
| 5 | Product combinations | 73 |
| 6 | Configuration | 75 |
| 6.1 | Overview of applications for contactors and contactor assemblies | 75 |
| 6.2 | TIA Selection Tool | 76 |
| 6.3 | Operating mechanism system / coil selection 3RT contactors and 3RH2 contactor relays..... | 77 |
| 6.3.1 | Operating mechanism system / coil selection 3RT2 contactor | 77 |
| 6.3.1.1 | Operating mechanism system / coil selection 3RT2 contactors and 3RH2 contactor relays..... | 77 |
| 6.3.1.2 | Solid-state operating mechanism for 3RT203.-.S.30 / 3RT204.-.S.30 contactors with fail-safe control input..... | 78 |
| 6.3.2 | Operating mechanism system / coil selection 3RT1 contactors | 79 |
| 6.3.2.1 | Standard operating mechanism with economy circuit (conventional operating mechanism) for 3RT1.5 / 3RT1.6 / 3RT1.7 contactors (exception: 3RT13)..... | 82 |
| 6.3.2.2 | Solid-state operating mechanism for 3RT1.5 / 3RT1.6 / 3RT1.7 contactors (exception: 3RT13) | 82 |
| 6.3.2.3 | Solid-state operating mechanism for 3RT1.5 / 3RT1.6 / 3RT1.7 contactors with RLT remaining lifetime signal (exception: 3RT12 / 3RT13)..... | 86 |
| 6.3.2.4 | Solid-state operating mechanism for 3RT1.5 / 3RT1.6 / 3RT1.7 contactors with extended operating range and rail applications (exception: 3RT12 / 3RT13) | 92 |
| 6.3.2.5 | Solid-state operating mechanism for 3RT1.5 / 3RT1.6 / 3RT1.7 contactors with fail-safe control input (exception: 3RT12 / 3RT13)..... | 94 |
| 6.3.2.6 | Solid-state operating mechanism for 3RT13 contactors..... | 95 |
| 6.3.2.7 | Solid-state operating mechanism for 3RT148 contactors..... | 96 |
| 6.3.2.8 | Typical circuit diagrams | 96 |
| 6.4 | Application environment..... | 98 |
| 6.4.1 | 3RH2 contactor relays | 98 |
| 6.4.2 | 3RT power contactors | 98 |
| 6.4.3 | Contactors with extended operating range and railway approval according to IEC 60077-2... | 100 |
| 6.4.4 | Installation altitude | 101 |
| 6.5 | Switching motorized loads | 102 |
| 6.6 | Switching slightly inductive or non-inductive loads..... | 106 |
| 6.7 | Changing the polarity of hoisting gear motors | 110 |
| 6.8 | Switching in the auxiliary circuit..... | 111 |
| 6.9 | Switching of capacitive loads | 112 |
| 6.10 | Contactors with extended operating range | 118 |
| 6.10.1 | Contactors for rail applications according to IEC 60077-2..... | 118 |
| 6.10.2 | Coupling relays | 119 |
| 6.10.2.1 | Technical background information..... | 121 |
| 6.11 | Contactors in safety applications | 121 |
| 6.11.1 | Safety notes..... | 121 |

| | | |
|----------|--|-----|
| 6.11.1.1 | General safety notes | 121 |
| 6.11.1.2 | Intended use..... | 122 |
| 6.11.1.3 | Current information about operational safety | 123 |
| 6.11.1.4 | Security information | 124 |
| 6.11.2 | Examples/applications..... | 124 |
| 6.11.2.1 | User responsibility for system design and function..... | 124 |
| 6.11.2.2 | Safety information | 125 |
| 6.11.2.3 | Layout of application examples | 125 |
| 6.11.2.4 | P-switching fail-safe outputs | 127 |
| 6.11.2.5 | PM-switching fail-safe outputs | 134 |
| 6.12 | Operation of a motor in two directions of rotation (reversing contactor assembly) | 142 |
| 6.12.1 | Reference | 147 |
| 6.13 | Starting three-phase motors with reduced starting current peaks (contactor assembly for star-delta (wye-delta) start)..... | 147 |
| 6.13.1 | Reference | 151 |
| 6.13.2 | Technical background information..... | 151 |
| 6.14 | Using long control cables | 156 |
| 6.15 | Configuration notes for the use of contactors in the environment of frequency converters... .. | 162 |
| 6.15.1 | Applications..... | 163 |
| 6.15.1.1 | Basic requirements..... | 163 |
| 6.15.1.2 | Contactor types and areas of application | 163 |
| 6.15.1.3 | Necessary information for configuration | 164 |
| 6.15.2 | Configuration upstream of the frequency converter (on the line side) | 165 |
| 6.15.2.1 | Technical background information for configuration upstream of the frequency converter (on the line side)..... | 165 |
| 6.15.2.2 | Dimensioning of the contactors taking harmonics into account | 166 |
| 6.15.2.3 | Switching of capacitive currents | 170 |
| 6.15.3 | Configuration downstream of the frequency converter (load side facing the motor) | 172 |
| 6.15.3.1 | Technical background information for configuration downstream of the frequency converter (load side facing the motor)..... | 172 |
| 6.15.3.2 | Dimensioning of the contactors for switching and protecting in case of overload | 172 |
| 6.15.3.3 | Dimensioning of the contactors according to rated current | 173 |
| 6.15.3.4 | Partial discharge (stress on insulation materials)..... | 175 |
| 6.15.4 | Other application cases..... | 176 |
| 6.15.4.1 | EMERGENCY OFF / EMERGENCY STOP (contactor downstream of the frequency converter)... .. | 176 |
| 6.15.4.2 | Pulse inhibit..... | 177 |
| 6.15.4.3 | Generator operation | 177 |
| 6.15.4.4 | Bypass contactor for the frequency converter | 177 |
| 6.15.5 | Use in close proximity to the frequency converter (coil control)..... | 178 |
| 6.15.5.1 | Use of contactors with control electronics on frequency converters..... | 178 |
| 6.15.5.2 | Influences of high-frequency load currents on the control electronics of the contactors..... | 178 |
| 6.15.5.3 | SIRIUS 3RT126 / 3RT127 and 3TF68 / 3TF69 vacuum contactors in the environment of frequency converters | 179 |
| 6.16 | Contact service life of auxiliary and main contacts..... | 179 |
| 6.16.1 | 3RT2 power contactors (sizes S00 to S3)..... | 179 |
| 6.16.1.1 | Contact service life of auxiliary and main contacts (sizes S00 and S0) | 179 |
| 6.16.1.2 | Contact service life of auxiliary and main contacts (size S2) | 182 |
| 6.16.1.3 | Contact service life of auxiliary and main contacts (size S3) | 184 |
| 6.16.2 | 3RT26 capacitor contactors (sizes S00 to S3) | 185 |
| 6.16.2.1 | Contact service life of auxiliary and main contacts..... | 185 |

| | | |
|----------|---|------------|
| 6.16.3 | 3RT10 power contactors and 3RT12 vacuum contactors (sizes S6 to S12)..... | 187 |
| 6.16.3.1 | Mechanical endurance | 187 |
| 6.16.3.2 | Electrical endurance..... | 187 |
| 7 | Mounting | 191 |
| 7.1 | Warning notice | 191 |
| 7.2 | Mounting | 191 |
| 7.2.1 | Mounting options | 191 |
| 7.2.2 | Mounting position | 191 |
| 7.2.3 | Mounting on mounting plate / wall mounting | 193 |
| 7.2.4 | Snapping onto DIN rail (snap-on mounting) | 199 |
| 7.3 | Replacing solenoid coils | 202 |
| 7.3.1 | Changing the solenoid coils 3RT2.2 (size S0) | 202 |
| 7.3.2 | Changing the solenoid coils 3RT2.3 (size S2) | 204 |
| 7.3.3 | Replacing solenoid coils 3RT2.4 (S3)..... | 209 |
| 7.3.4 | Replacing solenoid coils for 3RT1.5, 3RT1.6, 3RT1.7 (sizes S6-S12) | 215 |
| 7.3.5 | Changing the solenoid coils 3RT148..... | 219 |
| 7.4 | Contact piece replacement (sizes S2 to S12)..... | 222 |
| 7.4.1 | Contact piece replacement (size S2) | 222 |
| 7.4.2 | Contact piece replacement (size S3) | 229 |
| 7.4.3 | Contact piece replacement (size S6) | 236 |
| 7.4.4 | Contact piece replacement (size S10 and S12)..... | 238 |
| 7.5 | Replacing the vacuum interrupters (sizes S10 and S12)..... | 240 |
| 8 | Connection..... | 245 |
| 8.1 | Warning notice | 245 |
| 8.2 | Conductor cross-sections..... | 248 |
| 8.2.1 | Conductor cross-sections for screw-type connection systems | 248 |
| 8.2.2 | Conductor cross-sections for spring-loaded connection systems..... | 256 |
| 8.2.3 | Conductor cross-sections for cable lug connection and busbar connection | 258 |
| 9 | Accessories | 263 |
| 9.1 | Overview of accessories for 3RT2 contactors..... | 263 |
| 9.1.1 | Overview of accessories for 3RT2 contactors..... | 263 |
| 9.2 | Overview of accessories for 3RT10, 3RT12 and 3RT14 contactors | 273 |
| 9.2.1 | Overview of accessories for 3RT10, 3RT12 and 3RT14 contactors | 273 |
| 9.3 | Overview of accessories for 3RT13 contactors..... | 276 |
| 9.3.1 | Overview of accessories for 3RT13 contactors..... | 276 |
| 9.4 | Overview of accessories for 3RT148 contactors..... | 276 |
| 9.4.1 | Overview of accessories for 3RT148 contactors..... | 276 |
| 9.5 | Auxiliary switch | 277 |
| 9.5.1 | Auxiliary switch for 3RT2 power contactors and 3RH2 contactor relays..... | 277 |
| 9.5.1.1 | Description | 277 |
| 9.5.1.2 | Configuration..... | 280 |
| 9.5.1.3 | Selection guide for mountable auxiliary switches for power contactors and contactor relays..... | 286 |
| 9.5.1.4 | Mounting/Disassembly | 300 |
| 9.5.2 | Auxiliary switch for 3RT1 power contactors | 302 |

| | | |
|---------|--|-----|
| 9.5.2.1 | Description | 302 |
| 9.5.2.2 | Configuration..... | 305 |
| 9.5.2.3 | Terminal designations and identification numbers for auxiliary contacts..... | 307 |
| 9.5.2.4 | Mounting/Disassembly..... | 307 |
| 9.6 | Surge suppressor | 312 |
| 9.6.1 | Description | 312 |
| 9.6.2 | Configuration..... | 316 |
| 9.6.3 | Mounting | 322 |
| 9.7 | EMC suppression module | 327 |
| 9.7.1 | Description | 327 |
| 9.7.2 | Configuration..... | 329 |
| 9.7.3 | Mounting | 331 |
| 9.8 | OFF-delay device | 332 |
| 9.8.1 | Description | 332 |
| 9.8.2 | Configuration..... | 332 |
| 9.8.3 | Mounting | 333 |
| 9.9 | Mechanical latch..... | 334 |
| 9.9.1 | Description | 334 |
| 9.9.2 | Mounting/Disassembly..... | 334 |
| 9.9.3 | Operation | 336 |
| 9.10 | Additional load module..... | 337 |
| 9.10.1 | Description | 337 |
| 9.10.2 | Mounting | 338 |
| 9.11 | Control kit for manual operation of contactor contacts | 338 |
| 9.11.1 | Description | 338 |
| 9.11.2 | Mounting | 338 |
| 9.12 | Coupling link for PLC..... | 340 |
| 9.12.1 | Description | 340 |
| 9.12.2 | Mounting the 3RH2924-1GP11 coupling link..... | 342 |
| 9.12.3 | Mounting and disassembling the 3RH2914-.GP11 coupling module..... | 343 |
| 9.13 | LED display indicator module | 346 |
| 9.13.1 | Description | 346 |
| 9.13.2 | Mounting | 346 |
| 9.14 | Solder pin adapter..... | 348 |
| 9.14.1 | Description | 348 |
| 9.14.2 | Mounting | 348 |
| 9.15 | Coil terminal module..... | 349 |
| 9.15.1 | Description | 349 |
| 9.15.2 | Mounting | 350 |
| 9.16 | Cover for ring cable lug | 352 |
| 9.16.1 | Description | 352 |
| 9.17 | Sealable cover..... | 352 |
| 9.17.1 | Description | 352 |
| 9.17.2 | Mounting | 353 |
| 9.18 | 3-phase infeed terminal | 353 |
| 9.18.1 | Description | 353 |

| | | |
|----------|--|-----|
| 9.18.2 | Mounting | 354 |
| 9.19 | 1-phase infeed terminal | 354 |
| 9.19.1 | Description | 354 |
| 9.19.2 | Mounting | 355 |
| 9.20 | Parallel switching connectors | 355 |
| 9.20.1 | Description | 355 |
| 9.20.2 | Configuration..... | 356 |
| 9.20.3 | Mounting | 357 |
| 9.21 | Link module for two contactors in series..... | 358 |
| 9.21.1 | Description | 358 |
| 9.21.2 | Mounting | 358 |
| 9.22 | Link module for motor starter protector..... | 360 |
| 9.22.1 | Description | 360 |
| 9.23 | Pneumatic delay block 3RT2926-2P.1 | 361 |
| 9.23.1 | Description | 361 |
| 9.23.2 | Mounting/Disassembly..... | 362 |
| 9.23.3 | Operation | 363 |
| 9.24 | Pneumatic delay block 3RT2927-2P.1 | 363 |
| 9.24.1 | Description | 363 |
| 9.24.2 | Mounting/Disassembly..... | 364 |
| 9.24.3 | Operation | 365 |
| 9.24.3.1 | Operating the pneumatic delay block 3RT2927-2PA.1 | 365 |
| 9.24.3.2 | Operating the pneumatic delay block 3RT2927-2PR.1 | 366 |
| 9.25 | Insulating stop..... | 366 |
| 9.25.1 | Description | 366 |
| 9.26 | Terminal module for contactors with screw connections | 367 |
| 9.26.1 | Description | 367 |
| 9.26.2 | Mounting | 368 |
| 9.27 | 3RA27 function modules for connection to the automation level (AS-Interface or IO-Link)... | 369 |
| 9.27.1 | Description | 369 |
| 9.28 | 3RA28 function modules for mounting on 3RT2 contactors | 369 |
| 9.28.1 | Description | 369 |
| 9.29 | Assembly kit for reversing contactor assemblies (sizes S00 to S3)..... | 370 |
| 9.29.1 | Description | 370 |
| 9.29.2 | Mounting size S00 | 372 |
| 9.29.3 | Mounting size S0 | 374 |
| 9.29.4 | Mounting size S2 | 378 |
| 9.29.5 | Mounting size S3 | 382 |
| 9.30 | Wiring kit for reversing contactor assemblies (sizes S6 to S12) | 387 |
| 9.30.1 | Description | 387 |
| 9.30.2 | Mounting size S6 | 387 |
| 9.30.3 | Mounting sizes S10 and S12 | 390 |
| 9.31 | Assembly kit for contactor assemblies for star-delta (wye-delta) start (sizes S00 to S3) | 393 |
| 9.31.1 | Description | 393 |
| 9.31.2 | Mounting size S00 | 395 |
| 9.31.3 | Mounting size S0 | 398 |

| | | |
|-----------|---|------------|
| 9.31.4 | Mounting size S2 | 404 |
| 9.31.5 | Mounting size S3 | 414 |
| 9.32 | Wiring kit for contactor assemblies for star-delta (wye-delta) start (sizes S6 to S12)..... | 426 |
| 9.32.1 | Description | 426 |
| 9.32.2 | Mounting size S6 | 427 |
| 9.32.3 | Mounting sizes S10 and S12 | 431 |
| 9.33 | Terminal cover for cable lug connection and busbar connection | 436 |
| 9.33.1 | Description | 436 |
| 9.33.2 | Mounting | 437 |
| 9.34 | Terminal covers for box terminal block..... | 444 |
| 9.34.1 | Description | 444 |
| 9.34.2 | Mounting | 445 |
| 9.35 | Main current path surge attenuation module for vacuum contactors..... | 447 |
| 9.35.1 | Description | 447 |
| 9.35.2 | Mounting | 448 |
| 9.36 | Box terminal block (size S6 to S12) | 449 |
| 9.36.1 | Description | 449 |
| 9.36.2 | Mounting | 449 |
| 9.37 | Solid-state time-delay auxiliary switches (size S6 to S12) | 451 |
| 9.37.1 | Description | 451 |
| 9.37.2 | Configuration..... | 453 |
| 9.37.3 | Mounting/Disassembly..... | 453 |
| 9.38 | Bus connectors offset for 3RT136 and 3RT137 contactors (sizes S10 and S12) | 454 |
| 9.38.1 | Description | 454 |
| 9.38.2 | Mounting | 454 |
| 9.39 | Terminal cover for 3RT135, 3RT136 and 3RT137 contactors (sizes S6 to S12) | 456 |
| 9.39.1 | Description | 456 |
| 9.39.2 | Mounting | 456 |
| 9.40 | Mechanical interlock for 3RT135, 3RT136 and 3RT137 contactors (sizes S6 to S12) | 458 |
| 9.40.1 | Description | 458 |
| 9.40.2 | Mounting | 458 |
| 9.41 | Phase barrier for 3RT148 contactors | 460 |
| 9.41.1 | Description | 460 |
| 9.41.2 | Mounting | 460 |
| 10 | Technical data..... | 465 |
| 10.1 | Technical data in Siemens Industry Online Support..... | 465 |
| 11 | Circuit diagrams..... | 467 |
| 11.1 | CAX data..... | 467 |
| 11.2 | Contactors and contactor accessories | 467 |
| 11.3 | Capacitor contactors (S00 /S0 / S2 / S3) | 482 |
| 11.4 | Reversing contactor assemblies (S00 / S0 / S2 / S3) | 486 |
| 11.5 | Reversing contactor assemblies (S6 / S10 / S12)..... | 487 |
| 11.6 | Contactor assemblies for star-delta (wye-delta) start (S00 / S0 / S2 / S3) | 488 |

| | | |
|----------|---|------------|
| 11.7 | Contactor assemblies for star-delta (wye-delta) start (S6 / S10 / S12)..... | 491 |
| A | Types of coordination | 493 |
| B | References | 495 |
| B.1 | References..... | 495 |
| B.2 | Manuals - SIRIUS Modular System..... | 496 |
| C | Dimension drawings (dimensions in mm) | 499 |
| C.1 | CAX data..... | 499 |
| C.2 | 3RT2.1 contactors and 3RH2 contactor relays (size S00) | 499 |
| C.3 | 3RT2.2 contactors (size S0) | 504 |
| C.4 | 3RT2.3 contactors (size S2) | 510 |
| C.5 | 3RT2.4 contactors (size S3) | 513 |
| C.6 | 3RT105 / 3RT145 contactors (size S6)..... | 516 |
| C.7 | 3RT135 contactors (size S6) | 517 |
| C.7.1 | 3RT135 contactors..... | 517 |
| C.7.2 | Drilling plan for contactors..... | 517 |
| C.8 | 3RT106 / 3RT146 contactors (size S10)..... | 518 |
| C.9 | 3RT126 contactors (size S10) | 519 |
| C.9.1 | 3RT126 contactors..... | 519 |
| C.9.2 | Drilling plan for contactors..... | 520 |
| C.10 | 3RT136 contactors (size S10) | 521 |
| C.10.1 | 3RT136 contactors..... | 521 |
| C.10.2 | Drilling plan for contactors..... | 522 |
| C.11 | 3RT107 / 3RT147 contactors (size S12)..... | 522 |
| C.12 | 3RT127 contactors (size S12) | 523 |
| C.12.1 | 3RT127 contactors..... | 523 |
| C.12.2 | Drilling plan for contactors..... | 524 |
| C.13 | 3RT137 contactors (size S12) | 525 |
| C.13.1 | 3RT137 contactors..... | 525 |
| C.13.2 | Drilling plan for contactors..... | 526 |
| C.14 | 3RT148 contactors..... | 526 |
| C.14.1 | 3RT1481 and 3RT1482 contactors..... | 526 |
| C.14.2 | Drilling plan for 3RT1481 and 3RT1482 contactors | 527 |
| C.14.3 | 3RT1483 contactors..... | 527 |
| C.14.4 | Drilling plan for 3RT1483 contactors | 528 |
| C.14.5 | 3RT1485 and 3RT1486 contactors..... | 529 |
| C.14.6 | Drilling plan for 3RT1485 and 3RT1486 contactors | 530 |
| C.14.7 | 3RT1487 contactors..... | 531 |
| C.14.8 | Drilling plan for 3RT1487 contactors | 532 |
| C.15 | 3RT26 capacitor contactors | 532 |
| C.15.1 | 3RT261 capacitor contactors (size S00) | 532 |
| C.15.2 | 3RT262 capacitor contactors (size S0) | 533 |
| C.15.3 | 3RT263 capacitor contactors (size S2) | 535 |

| | | |
|--------------------|---|------------|
| C.15.4 | 3RT264 capacitor contactors (size S3) | 536 |
| C.16 | 3RA23 reversing contactor assemblies | 537 |
| C.16.1 | 3RA231 reversing contactor assemblies (size S0) | 537 |
| C.16.2 | 3RA232 reversing contactor assemblies (size S0) | 539 |
| C.16.3 | 3RA233 reversing contactor assemblies (size S2) | 542 |
| C.16.4 | 3RA234 reversing contactor assemblies (size S3) | 543 |
| C.16.4.1 | 3RA234.-8X.30-1 reversing contactor assemblies (size S3) | 543 |
| C.16.4.2 | Drilling diagram for 3RA234.-8X.30-1 reversing contactor assemblies (size S3) | 544 |
| C.17 | 3RA24 contactor assemblies for star-delta (wye-delta) start | 544 |
| C.17.1 | 3RA241 contactor assemblies for star-delta (wye-delta) start (size S0) | 544 |
| C.17.2 | 3RA242 contactor assemblies for star-delta (wye-delta) start (size S0) | 546 |
| C.17.2.1 | 3RA242.-8X.3.-1 contactor assemblies for star-delta (wye-delta) start (size S0, screw-type connection system) | 546 |
| C.17.2.2 | Drilling diagram for 3RA242.-8X.3.-1 contactor assemblies for star-delta (wye-delta) start (size S0, screw-type connection system) | 546 |
| C.17.2.3 | 3RA242.-8X.3.-2 contactor assemblies for star-delta (wye-delta) start (size S0, spring-loaded connection system) | 547 |
| C.17.2.4 | Drilling diagram for 3RA242.-8X.3.-2 contactor assemblies for star-delta (wye-delta) start (size S0, spring-loaded connection system) | 547 |
| C.17.3 | 3RA243 contactor assemblies for star-delta (wye-delta) start (size S2) | 548 |
| C.17.4 | 3RA244 contactor assemblies for star-delta (wye-delta) start (size S3) | 550 |
| C.17.4.1 | 3RA244.-8X.32-1 contactor assemblies for star-delta (wye-delta) start (size S3) | 550 |
| C.17.4.2 | Drilling diagram for 3RA244.-8X.32-1 contactor assemblies for star-delta (wye-delta) start (size S3) | 551 |
| Index | | 553 |

Introduction

1.1 Responsibility of the user for system configuration and functionality

The SIRIUS modular system offers various switching devices for the safe and functional switching of electrical loads. 3RT2 contactors are available in sizes S00 to S3. 3RT1 contactors are available in sizes S6 to S12.

- 3RT.0 power contactors and 3RT12 vacuum contactors for switching motorized loads
- 4-pole 3RT23 / 3RT13 contactors for switching slightly inductive or non-inductive loads
- 3-pole 3RT24 / 3RT14 contactors for switching slightly inductive or non-inductive loads
- 4-pole 3RT25 contactors for changing the polarity of hoisting gear motors
- 3RH2 contactor relays for switching in the control circuit
- 3RT26 capacitor contactors for switching capacitive loads (AC-6b)
- 3RT1 / 3RT2 / 3RH2 contactors with extended operating range
 - 3RT10 / 3RT20 / 3RH21 contactors for rail applications
 - 3RT20 / 3RH21 coupling relays for system-compliant interaction with electronic controllers
- 3RT1...-S.36 / 3RT203.-S.30 / 3RT204.-S.30 contactors with fail-safe control input
- Operation of a motor in two directions of rotation (reversing contactor assembly)
- Starting three-phase motors with reduced starting current peaks (contactor assemblies for star-delta (wye-delta) start)

Siemens AG, its regional offices, and associated companies (hereinafter referred to as "Siemens") cannot guarantee all the properties of an overall installation or machine that has not been designed by Siemens.

Nor can Siemens assume liability for recommendations that appear or are implied in the following description. No new guarantee, warranty, or liability claims beyond the scope of the Siemens general terms of supply are to be derived or inferred from the following description.

Note

When designing a system, comply with all valid national installation specifications and standards.

1.2 Purpose of the manual

This manual describes 3RT2 contactors (up to 55 kW), 3RT1 contactors (from 55 kW), 3RH21 contactor relays, reversing contactor assemblies, and contactor assemblies for star-delta (wye-delta) start, and it supplies the following information:

- Information about integrating the contactors and contactor assemblies into the system environment.
- Information on necessary hardware components.
- Information about installing and connecting the contactors.
- Technical information such as dimension drawings and unit wiring diagrams.

The information in this manual enables you to configure and commission the contactors.

1.3 Required basic knowledge

To understand these operating instructions you should have a general knowledge of automation engineering and low-voltage switchgear.

1.4 Scope of the manual

The manual is valid for these contactors and contactor assemblies. It contains a description of the devices that is valid at the time of publication.

1.5 Siemens Industry Online Support

Information and Service

In Siemens Industry Online Support, you can obtain up-to-date information from our global support database quickly and simply. To accompany our products and systems, we offer a wealth of information and services that provide support in every phase of the lifecycle of your machine or plant – from planning and implementation, through commissioning, up to maintenance and modernization:

- Product support
- Application examples
- Services
- Forum
- mySupport

Link: Siemens Industry Online Support (<https://support.industry.siemens.com/cs/ww/en>)

Product support

You will find here all the information and comprehensive know-how covering all aspects of your product:

- **FAQs**
Our answers to frequently asked questions.
- **Manuals/operating instructions**
Read online or download, available as PDF or individually configurable.
- **Certificates**
Clearly sorted according to approving authority, type and country.
- **Characteristic curves**
For support in planning and configuring your system.
- **Product announcements**
The latest information and news concerning our products.
- **Downloads**
You can find here updates, service packs, HSPs and much more for your product.
- **Application examples**
Function blocks, background and system descriptions, performance statements, demonstration systems, and application examples, clearly explained and represented.
- **Technical data**
Technical product data for support in planning and implementing your project.

Link: Product support (<https://support.industry.siemens.com/cs/ww/en/ps>)

mySupport

With "mySupport", your personal workspace, you get the very best out of your Industry Online Support. Everything to enable you to find the right information every time.

The following functions are now available:

- **Personal messages**
Your personal mailbox for exchanging information and managing your contacts
- **Inquiries**
Use our online form for specific solution suggestions, or send your technical inquiry directly to a specialist in Technical Support
- **Notifications**
Make sure you always have the latest information - individually tailored to your needs
- **Filters**
Simple management and re-use of your filter settings from Product Support and the Technical Forum
- **Favorites / Tags**
Create your own knowledge database by assigning "Favorites" and "Tags" to documents – simply and efficiently
- **Entries last viewed**
Clear presentation of your last viewed entries

- **Documentation**
Configure your individual documentation from different manuals – quickly and without complications
- **Personal data**
Change personal data and contact information here
- **CAX data**
Simple access to thousands of items of CAX data such as 3D models, 2D dimension drawings, EPLAN macros and much more

1.6 Further documentation

To install and connect the contactors and contactor assemblies, you require the operating instructions of the contactors and contactor assemblies used.

You can find an overview of the manuals pertaining to the SIRIUS modular system in the Appendix "References (Page 495)".

1.7 DataMatrix code

A Data Matrix code has been lasered onto the contactors and contactor assembly enclosures.

The Data Matrix codes are standardized in ISO/IEC 16022. The Data Matrix codes on Siemens devices use ECC200 coding for powerful error correction.

The following information is stored in the Data Matrix code:

| | | | | | | | |
|----------------------|----------------|----------------|--------------|----------------|--------------|--------------|---------------|
| 1P | Article number | + | S | Loca- tion | / | Date | Serial number |
| Data iden- tifier | User content | Separa- tor | User content | Separa- tor | User content | User content | User content |

Note

The information content is displayed without spaces.

This machine-readable information simplifies and accelerates handling of the respective devices. As well as fast access to the serial numbers of the respective devices for unique identification, the Data Matrix codes simplify communication with Siemens Technical Support.

1.8 Siemens Industry Online Support app

Siemens Industry Online Support app

The Siemens Industry Online Support app provides you access to all the device-specific information available on the Siemens Industry Online Support portal for a particular article number, such as operating instructions, manuals, data sheets, FAQs etc.

The Siemens Industry Online Support app is available for Android and iOS:



Android



iOS

1.9 Support Request

After you have registered, you can use the Support Request form in the online support to send your question directly to Technical Support:

| | |
|-------------------------|--|
| Support Request: | Internet (https://support.industry.siemens.com/My/ww/en/requests) |
|-------------------------|--|

Standards

2.1 Standards and product approvals

Applicable regulations, standards, and approvals

Below is a list of extracts from the most important standards and approvals of the 3RT and 3RH contactors.

Note

Depending on meaning, some standards and approvals are applied only to specific product variants and are restricted to these. For example, the IEC 60077-2 standard is taken into account only for contactors for rail applications but not for standard contactors.

| Standard / approvals | Description | Note |
|----------------------|---|--|
| IEC 60947-1 | Low-voltage switchgear and controlgear - General rules | |
| IEC 60947-4-1 | Low-voltage switchgear and controlgear Part 4-1: Electromechanical contactors and motor-starters | Main approval for IEC-orientated international markets |
| IEC 60947-5-1 | Low-voltage switchgear and controlgear Part 5-1: Control circuit devices and switching elements - Electromechanical control circuit devices | Relevant for auxiliary circuits and 3RH contactor relays |
| IEC 60077-2 | Railway applications - Electric equipment for rolling stock - Part 2: Electrotechnical components - General rules | Additional approval for railroad applications |
| EN ISO 13849-1 | Safety of machinery – safety-related parts of control systems - Part 1: General principles for design | Approvals for use in safety-related applications |
| IEC 61508 | Functional safety of electrical/electronic/programmable electronic safety-related systems | |
| IEC 62061 | Safety of machinery - Functional safety of safety-related electrical, electronic and programmable electronic control systems | |
| UL 60947-1 | Low-Voltage Switchgear and Control gear - Part 1: General rules | Approvals for the UL market, predominantly the USA |
| UL 60947-4-1 | Low-Voltage Switchgear and Control gear - Part 4-1: Contactors and motor-starters - Electromechanical contactors and motor-starters | |

2.3 IE3 / IE4 ready

| Standard / approvals | Description | Note |
|-------------------------------|---|--|
| CSA-C22.2 No. 14-13 | Industrial Control Equipment | Approvals specifically for the Canadian market |
| CAN/CSA-C22.2 No 60947-1-13 | Low-Voltage Switchgear and Control gear - Part 1: General rules | |
| CAN/CSA-C22.2 No 60947-4-1-14 | Low-Voltage Switchgear and Control gear - Part 4-1: Contactors and motor-starters - Electromechanical contactors and motor-starters | |
| CCC | Certificate for China Compulsory Product Certification | Approval specifically for the Chinese market |

2.2 Requirements for switching high-efficiency motors

The increased requirements for protection devices and switchgear when switching high-efficiency motors are covered by the new utilization category AC-3e introduced in the IEC 60947-4-1 product standard.

The utilization category AC-3e takes into account the higher switch-on characteristic of efficiency-enhanced motors. This is reflected, for example, in a higher starting current when starting squirrel-cage motors.

All SIRIUS protection devices and switchgear that are subject to the IEC 60947-4-1 product standard meet the increased requirements in accordance with utilization category AC-3e and are suitable for use with high-efficiency motors.

2.3 IE3 / IE4 ready

Ambitious climate protection goals in Europe call for increasingly energy-efficient components.

With this in mind, the energy efficiency class IE3 / IE4 has been mandatory since January 2015 (with exceptions) for three-phase asynchronous motors, and this will have an effect on motors, low-voltage power distribution systems, and industrial controls.

You will be optimally equipped for the current motor generation with the SIRIUS modular system components and 3VA molded-case circuit breakers.

You will find information on IE3 / IE4 at:

Information IE3 (<https://new.siemens.com/global/en/products/automation/industrial-controls/media/energy-efficiency.html>)

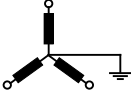
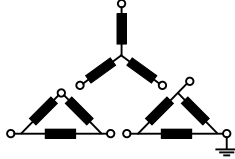


See also

Configuration Manual for SIRIUS Controls with IE3 Motors (<https://support.industry.siemens.com/cs/ww/en/view/94770820>)

2.4 Voltages

The specifications for 3-phase line supply according to IEC 60947-4-1 are valid for the following line system configurations:

| Voltage specification Ue in the Equipment Manual | Line system configurations | |
|--|--|---|
| | Three-phase four-wire systems  | Three-phase three-wire systems  |
| [V] | [V] | [V] |
| 230 | -- | 230 |
| 400 | 230 / 400 | 400 |
| 440 | 260 / 440 | 440 |
| 500 | -- | 500 |
| 690 | 400 / 690 | 690 (only from size S3) |
| 1000 | -- | 1000 |

-- not specified

2.5 Notes on the protection of device connections

The specifications for short-circuit protection (fuses, circuit breakers, or miniature circuit breakers) are available for the device connections of the main circuit and the auxiliary circuit. In order to ensure a holistic view for the protection of the device connections, the manufacturer is obliged to provide all relevant information for short-circuit protection and overcurrent protection.

If, for example, device connections for the control supply voltage, the supply voltage, or digital inputs/digital outputs are not connected to self-limiting current sources or energy sources, you can find the relevant information in the Equipment Manual or the technical data sheet.

2.6 Reference

For more information on the protection of device connections of the various contactor types, refer to Chapter "Warning notice (Page 245)" and Chapter "Solid-state operating mechanism for 3RT1.5 / 3RT1.6 / 3RT1.7 contactors with RLT remaining lifetime signal (exception: 3RT12 / 3RT13) (Page 86)".

2.7 Protective separation

SIRIUS components have been approved by a whole range of bodies for various sectors (shipbuilding, etc.). More information and certificates for download are available on the Internet (<https://support.industry.siemens.com/cs/ww/en/ps/16131/cert>).

You can find all the technical data and other information regarding the products in the Siemens Industry Online Support (<https://support.industry.siemens.com/cs/ww/en/ps/16132/td>).

2.7 Protective separation

Definition

In order for the "protective separation" of circuits to be achieved, an individual fault must not be able to trigger a voltage overspill from one circuit into another. The kinds of fault to be taken into account include twisted or loose conductive parts, twisted solder pins, broken winding wires, missing screws, or broken barriers within a device.

Protective separation for 3RT10, 3RT20 and 3RH2 contactor relays

The term "protective separation" is used in relation to safety extra low voltage (SELV/PELV) and functional extra low voltage (FELV). Protective separation reliably prevents a dangerous contact voltage from spilling over to the voltage which has been protectively separated (e.g. to a safety extra low voltage which is present or switched in the same device). If the current paths of a contactor are operated at different voltages, "protective separation" requirements must be met. With 3RT1 and 3RT2 contactors, and 3RH2 contactor relays, "protective separation" is ensured up to a certain voltage.

Regulations

"Protective separation" between circuits within equipment is achieved by complying with the basic requirements contained in the IEC 60947-1 standard.

Basic requirements include, for example:

- Double or reinforced insulation
- Electrically protective shielding
- Combination of double or reinforced insulation and electrically protective shielding

The insulation must be resistant to aging for the duration of the expected service life.

Circuits without a safety extra low voltage or a functional extra low voltage do not require protective separation.

Reference

The voltages that can be used to operate the individual electric circuits of the contactors to ensure safe separation can be found in the technical product data sheet (Page 465).

2.8 Positively driven contact elements/Mirror contacts

Positively driven contacts for contactor relays according to IEC 60947-5-1

Positively-driven contact elements according to IEC 60947-5-1 are a combination of "n" NO contacts and "m" NC contacts which are designed in such a way that they cannot be closed simultaneously. "Positively driven operation" may only apply to auxiliary switch elements which are contained in switching devices and whose actuating forces are generated internally. An example of such elements are the SIRIUS 3RH2 contactor relays.

All SIRIUS 3RH2 contactor relays (with at least 1 NC contact) are tested to IEC 60947-5-1, and ever since the product was launched, they have featured positively driven contact elements in the basic device, or in the basic device in conjunction with auxiliary switches.

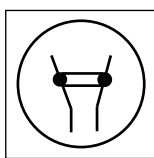


Figure 2-1 Symbol for positively driven contact elements in a switching device

Mirror contact for power contactors to IEC 60947-4-1

A mirror contact according to IEC 60947-4-1 is an auxiliary NC contact that cannot be closed simultaneously with an NO main contact.

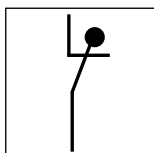


Figure 2-2 Symbol for mirror contacts in a switching device

All SIRIUS 3RT1 / 3RT2 motor contactors (with at least 1 NC auxiliary contact) are tested to IEC 60947-4-1 and have featured mirror contact characteristics in conjunction with auxiliary switches ever since the product was launched.

Note

Both contact characteristics, the positively driven contact element in the contactor relay as well as the mirror contact in the power contactor, meet the same technical requirements.

The 3RT1 / 3RT2 / 3RH2 contactors are suitable for applications in the safety circuit. For contactor relays, this applies on account of the positively driven operation of the contacts. For motor contactors, it applies on account of the mirror contact properties of the auxiliary contacts.

2.9 Used for stop category 0 / 1

Used for stop category 0 / stop category 1

All SIRIUS 3RT1, 3RT2 and 3RH2 contactors with mirror contacts / positively driven contacts are generally suitable for use in safety circuits according to stop category 0 / stop category 1.

2.10 Applications

Use and application areas

Various different switching devices are available for switching electrical loads. When frequent switching is necessary, the contactor is the ideal device.

Contactors are the most commonly used switching devices in industry, mechanical engineering and switchgear construction. The progressive automation of production plants has increased the significance of contactors, but this is also associated with higher and sometimes different requirements.

An automatic production system is significantly more sensitive to operating faults than manually operated systems. Every fault on an electrical device means a standstill, production downtime, and often substantial costs for recommissioning.

For this reason, value was placed on high operational reliability in the development of the SIRIUS contactor series. High service life, high contact reliability, and the option of using the contactors in the control cabinet at higher ambient temperatures are among the factors contributing to this. The contactors can be used at up to 60 °C and without derating even with side-by-side mounting.

Due to the diverse range of application options, the range of contactors also encompasses versions for special applications, such as switching slightly inductive or non-inductive loads or switching capacitors, as well as the main 3RT20 and 3RT10 series for switching motorized loads. Besides the contactor versions for various load types, there are also special versions for specific areas of application with extended operating range and special additional approvals for railway applications or for fail-safe control in safety applications.

The different contactor series with their possible application areas are explained in the following subsections.

Utilization categories

According to IEC 60947-4-1, the application area of and the load applied to power contactors can be identified by looking at the specified utilization category in conjunction with the specified rated operational current or the motor power and the rated voltage. The table below lists the most important utilization categories for contactors.

| Utilization categories | |
|------------------------|--|
| AC | Main circuit contacts: Utilization category for AC voltages |
| AC-1 | Non-inductive or slightly inductive loads |
| AC-2 | Slip-ring motors: starting, switching off |

| Utilization categories | |
|-------------------------------|--|
| AC-3 | Squirrel-cage motors: starting, switching off the motors while running, reversing |
| AC-3e | Squirrel-cage motors with higher breakaway starting current: starting, switching off the motors while running, reversing |
| AC-4 | Squirrel-cage motors: starting, reversal braking or reversing, inching |
| AC-5a | Switching of discharge lamp controls |
| AC-5b | Switching of incandescent lamps |
| AC-6a | Switching of three-phase transformers |
| AC-6b | Switching of capacitive loads |
| | |
| DC | Main circuit contacts: Utilization category for DC voltages |
| DC-1 | Non-inductive or slightly inductive loads |
| DC-3 | Shunt-wound motors: starting, reversal braking, reversing, inching, dynamic braking |
| DC-5 | Series-wound motors: starting, reversal braking, reversing, inching, dynamic braking |
| | |
| AC | Auxiliary circuit contacts: Utilization category for AC voltages |
| AC-12 | Control of resistive loads and solid-state loads with isolation by optocouplers |
| AC-14 | Control of small electromagnetic loads (max. 72 VA) |
| AC-15 | Control of electromagnetic loads (over 72 VA) |
| | |
| DC | Auxiliary circuit contacts: Utilization category for DC voltages |
| DC-12 | Control of resistive loads and solid-state loads with isolation by optocouplers |
| DC-13 | Control of electromagnets |

Safety instructions

3.1 General safety notes



DANGER

**Hazardous voltage.
Will cause death or serious injury.**

Turn off and lock out all power supplying this device before working on this device.

Electromagnetic compatibility (EMC)

The 3RT / 3RH contactors with electronic operating mechanism have been designed for Environment A according to IEC 60947-1, IEC 60947-4-1 and Class A according to CISPR 11, EN 55011.

Note

EMC Environment A

The 3RT / 3RH contactors with electronic operating mechanism have been designed for Environment A.

Use of these products in Environment B may cause unwanted electromagnetic disturbances in which case the user may be required to take adequate mitigation measures.

3.2 Security information

Siemens provides products and solutions with industrial security functions that support the secure operation of plants, systems, machines and networks.

In order to protect plants, systems, machines and networks against cyber threats, it is necessary to implement – and continuously maintain – a holistic, state-of-the-art industrial security concept. Siemens' products and solutions constitute one element of such a concept.

Customers are responsible for preventing unauthorized access to their plants, systems, machines and networks. Such systems, machines and components should only be connected to an enterprise network or the internet if and to the extent such a connection is necessary and only when appropriate security measures (e.g. firewalls and/or network segmentation) are in place.

For additional information on industrial security measures that may be implemented, please visit

<https://www.siemens.com/industrialsecurity>.

Siemens' products and solutions undergo continuous development to make them more secure. Siemens strongly recommends that product updates are applied as soon as they are available and that the latest product versions are used. Use of product versions that are no longer

3.5 Recycling and disposal

supported, and failure to apply the latest updates may increase customer's exposure to cyber threats.

To stay informed about product updates, subscribe to the Siemens Industrial Security RSS Feed under
<https://www.siemens.com/cert>.

3.3 Intended use

Improper use of 3RT1 / 3RT2 contactors and contactor combinations

Improper use of 3RT1 / 3RT2 contactors and contactor combinations and their accessories will result in risk of death, risk of serious injury or property damage.

This equipment is only allowed to be used for the applications described in the catalog and in the technical description, and only in conjunction with non-Siemens equipment and components recommended by Siemens.

Correct transport, storage, installation and assembly, as well as careful operation and maintenance, are required to ensure that the product operates safely and without faults.

Before you run any sample programs or programs that you have written yourself, make sure that running the plant cannot cause injury to anyone else or damage to the machine itself.

3.4 Current information about operational safety

Important note for maintaining the operational safety of your system

Please take note of our latest information. Systems with safety-oriented characteristics are subject to special operational safety requirements on the part of the operator. The supplier is also obliged to comply with certain actions when monitoring the product. By subscribing to the appropriate newsletter, you will ensure that you are always up-to-date and able to make changes to your system, when necessary:

For this purpose, go to the page: SIEMENS newsletter (www.siemens.com/sirius/newsletter)

Click "Subscribe to newsletter".

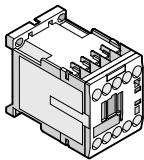
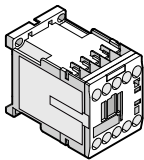
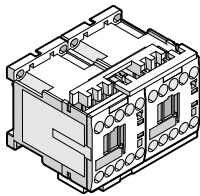
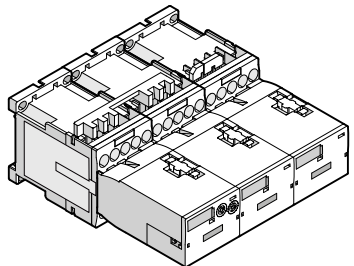
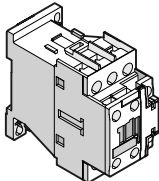
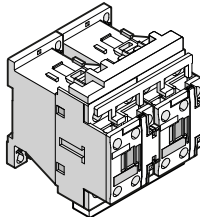
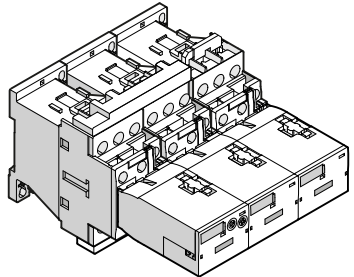
3.5 Recycling and disposal

For environmentally-friendly recycling and disposal of your old device, contact a company certified for the disposal of used electrical and electronic equipment, and dispose of the device as specified in the regulations for your particular country.

Product description

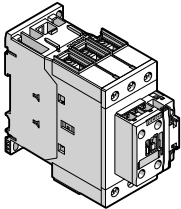
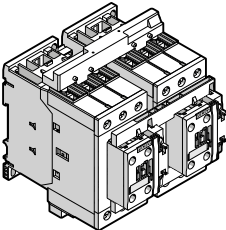
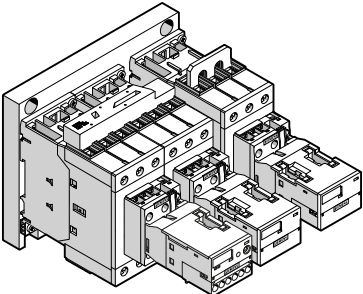
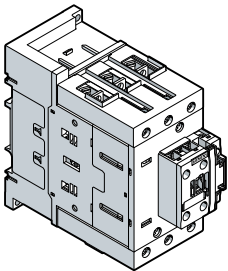
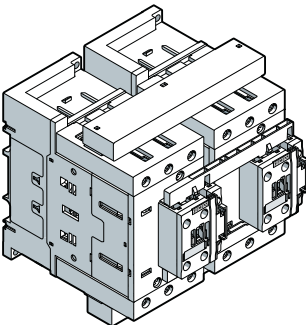
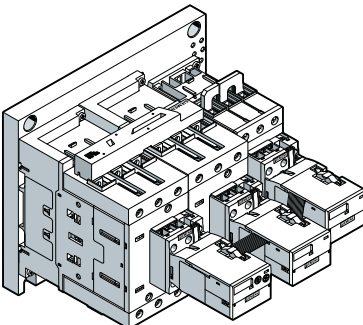
4.1 Overview of the contactor range

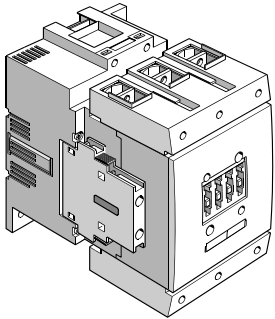
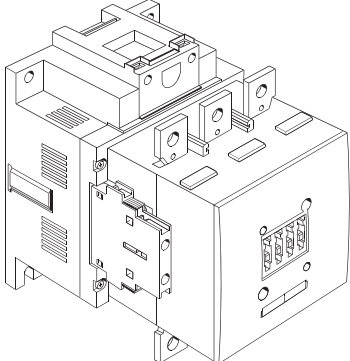
The SIRIUS portfolio offers various switching devices for the safe and functional switching of electrical loads. The table below provides an overview of the contactor versions and contactor assemblies available in sizes S00 to S12 (table contains versions featuring screw-type connection system).

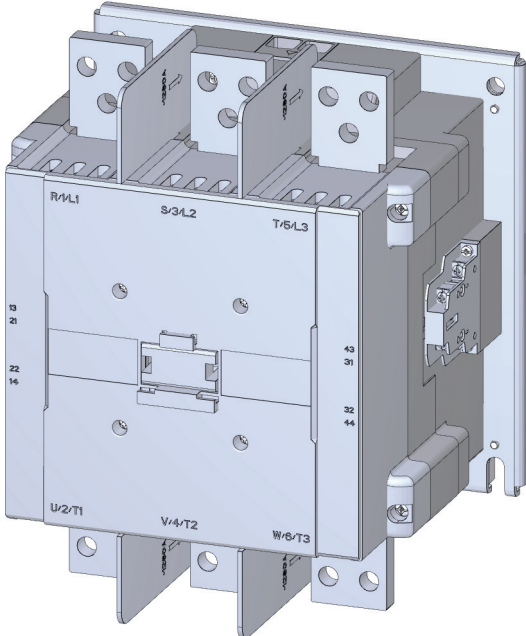
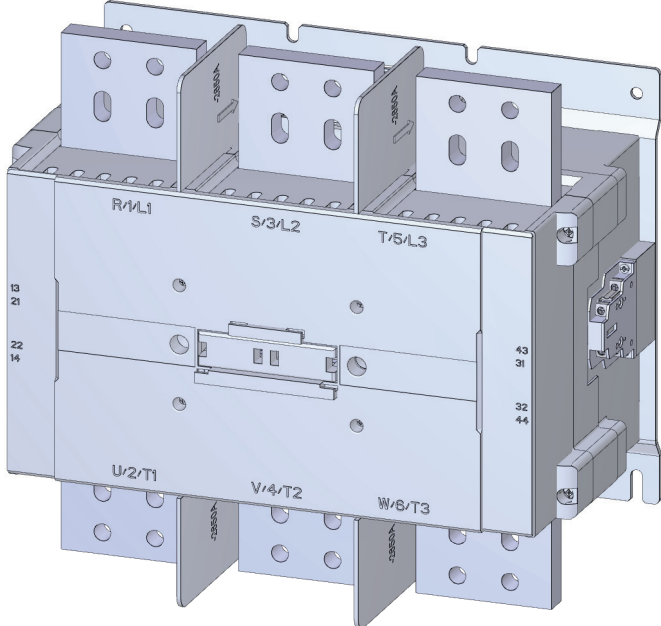
| Size | 3RH2 contactor relays | 3RT2 power contactors | 3RA23 reversing contactor assembly | 3RA24 contactor assembly for star-delta (wye-delta) start |
|------|---|--|--|--|
| S00 |  |  |  |  |
| S0 | --- |  |  |  |

Product description

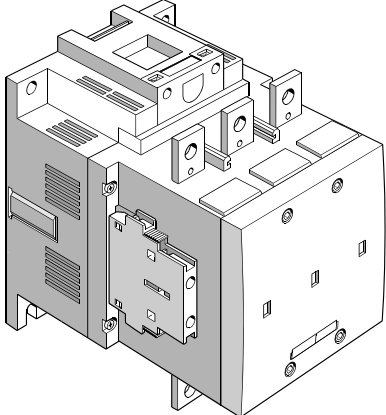
4.1 Overview of the contactor range

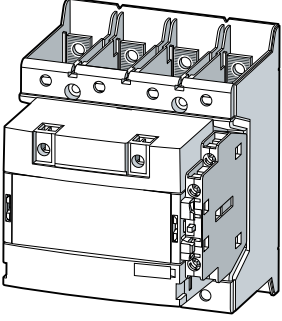
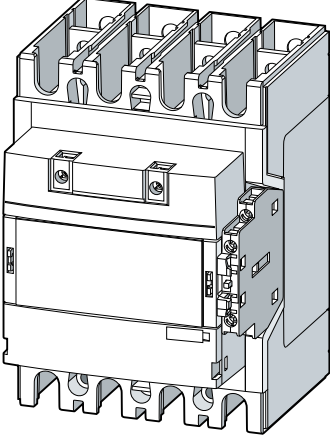
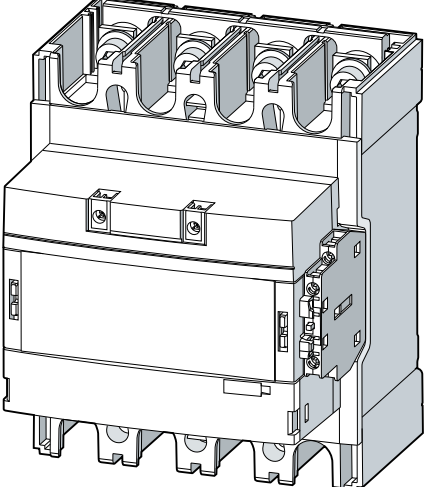
| Size | 3RH2 contactor relays | 3RT2 power contactors | 3RA23 reversing contactor assembly | 3RA24 contactor assembly for star-delta (wye-delta) start |
|------|-----------------------|---|--|---|
| S2 | --- |  |  |  |
| S3 | --- |  |  |  |

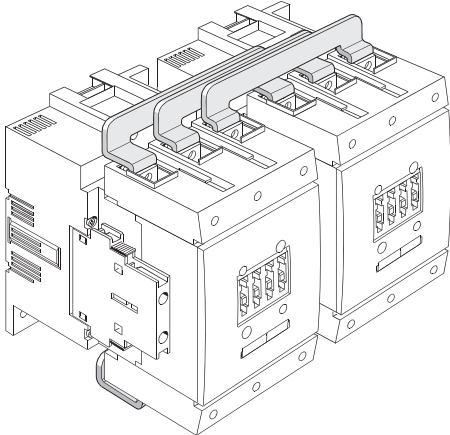
| Size | 3RT105, 3RT106 and 3RT107 power contactors (3-pole, AC-3) and 3RT145, 3RT146 and 3RT147 power contactors (3-pole, AC-1) (example illustrations) |
|-----------|--|
| S6 |  |
| S10 / S12 |  |

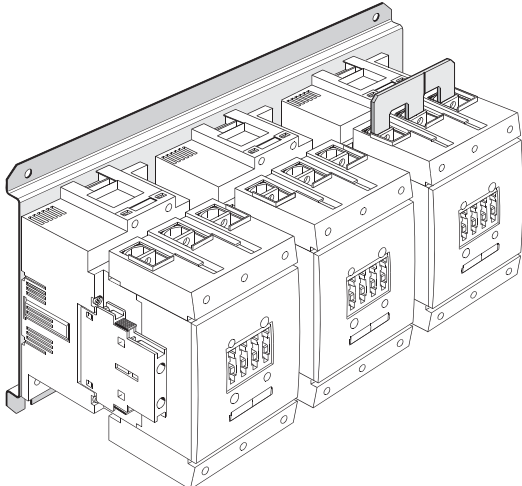
| | 3RT148 power contactors (3-pole, AC-1) (example illustrations) |
|-------------------------------|--|
| 3RT1481 3RT1482 3RT1483 |  |
| 3RT1485 3RT1486 3RT1487 |  |

4.1 Overview of the contactor range

| Size | 3RT12 vacuum contactors |
|-----------|---|
| S10 / S12 |  |

| Size | 3RT13 power contactors (4-pole, AC-1) |
|------|---|
| S6 |  |
| S10 |  |
| S12 |  |

| Size | Reversing contactor assembly (for self-assembly), size S6, as an example |
|----------------|---|
| S6 / S10 / S12 |  |

| Size | Contactor assembly for star-delta (wye-delta) start (for self-assembly), size S6, as an example |
|----------------|---|
| S6 / S10 / S12 |  |

4.2 Device versions

Various different switching devices are available for switching electrical loads. The contactor is the ideal device for performing switching operations which are frequently repeated. It is the most commonly used switching device in industry, mechanical engineering, and the manufacture of switching stations. 3RT2 contactors are available in sizes S00 to S3. 3RT1 contactors are available in sizes S6 to S12.

The SIRIUS range of contactors encompasses:

- 3RT.0 power contactors and 3RT12 vacuum contactors for switching motorized loads
- 4-pole 3RT23 / 3RT13 contactors for switching slightly inductive or non-inductive loads
- 3-pole 3RT24 / 3RT14 contactors for switching slightly inductive or non-inductive loads

- 4-pole 3RT25 contactors for changing the polarity of hoisting gear motors
- 3RH2 contactor relays for switching in the control circuit
- 3RT26 capacitor contactors for switching capacitive loads (AC-6b)
- 3RT1 / 3RT2 / 3RH2 contactors with extended operating range
 - 3RT10 / 3RT20 / 3RH21 contactors for rail applications
 - 3RT20 / 3RH21 coupling relays for system-compliant interaction with electronic controllers
- 3RT1...-S.36 / 3RT203.-S.30 / 3RT204.-S.30 contactors with fail-safe control input
- Operation of a motor in two directions of rotation (reversing contactor assembly)
- Starting three-phase motors with reduced starting current peaks (contactor assemblies for star-delta (wye-delta) start)

Sizes

With its seven sizes, the SIRIUS contactor series covers the entire range up to 250 kW. Several standard motor ratings are available for each size.

Reference

| More information ... | Can be found in the chapter titled ... |
|---|--|
| About the basic and special versions of the contactor relays and power contactors | Configuration (Page 75) |

4.2.1 3RT2 power contactors

Versions

Table 4-1 Versions of the 3RT2 power contactors

| Feature | | Specifications | | | | | |
|---|-----|--|---|---|--|--|---|
| Version | | Power contactor for switching motorized loads | Power contactor with extended operating range for rail applications | Coupling relay for switching electrical loads | 3RT23 power contactor with 4 NO contacts | 3RT25 power contactor with 2 NO contacts and 2 NC contacts | 3RT24 power contactor for switching slightly inductive or non-inductive loads |
| Number of poles | | 3 | 3 | 3 | 4 | 2 NO contacts and 2 NC contacts | 3 |
| Number of integrated auxiliary contacts | S00 | 1 NO contact or 1 NC contact | | | — | — | — |
| | S0 | 1 NO contact and 1 NC contact | | | | | — |
| | S2 | 1 NO contact and 1 NC contact (exception: 3RT203.-.S.30 contactors with fail-safe control input: 1 NC contact) | | | | | — |
| | S3 | 1 NO contact and 1 NC contact (exception: 3RT204.-.S.30 contactors with fail-safe control input: 1 NC contact) | | | | | — |

Connection systems

The power contactors can be supplied with the connection systems detailed below:

- Screw connection
- Spring-loaded connection (sizes S2 and S3, auxiliary and control line only)
- Ring cable lug connection system (size S0 / S00 only)
- Busbar connection, box terminal removable (only size S3)
- Screw terminals with box terminal (only size S3)
- Solder pin connection (size S00 only)
Solder pin connection is only possible in conjunction with the optional solder pin adapter accessory

3RT201 power contactors (size S00)

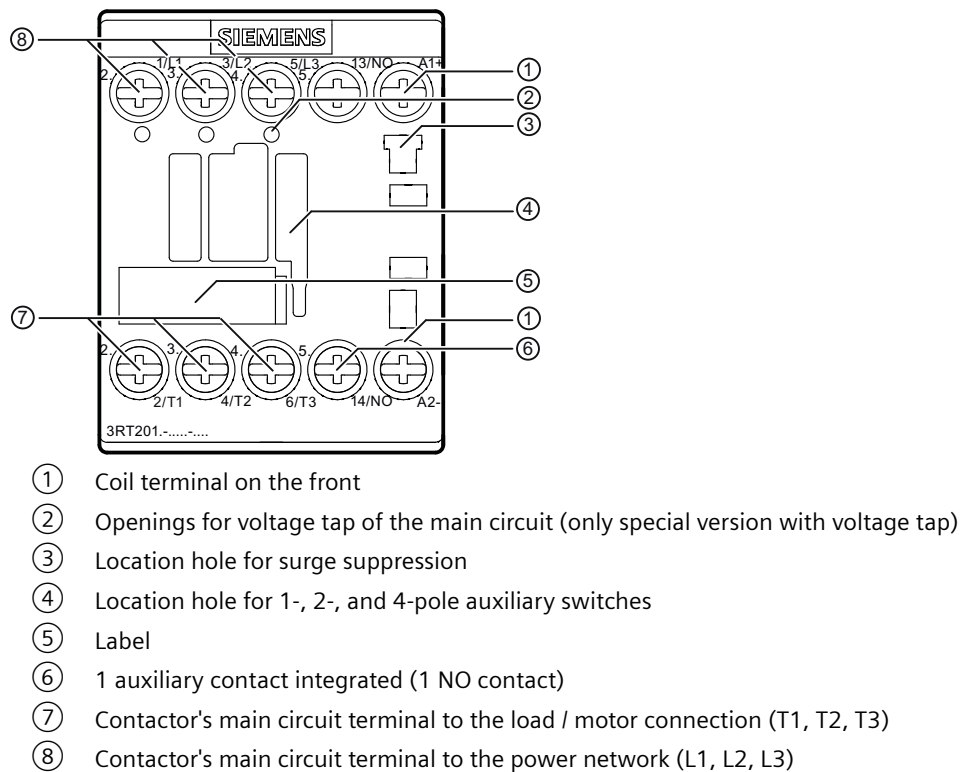


Figure 4-1 3RT201.-.....-..... power contactor, size S00, overview

3RT202 power contactors (size S0)

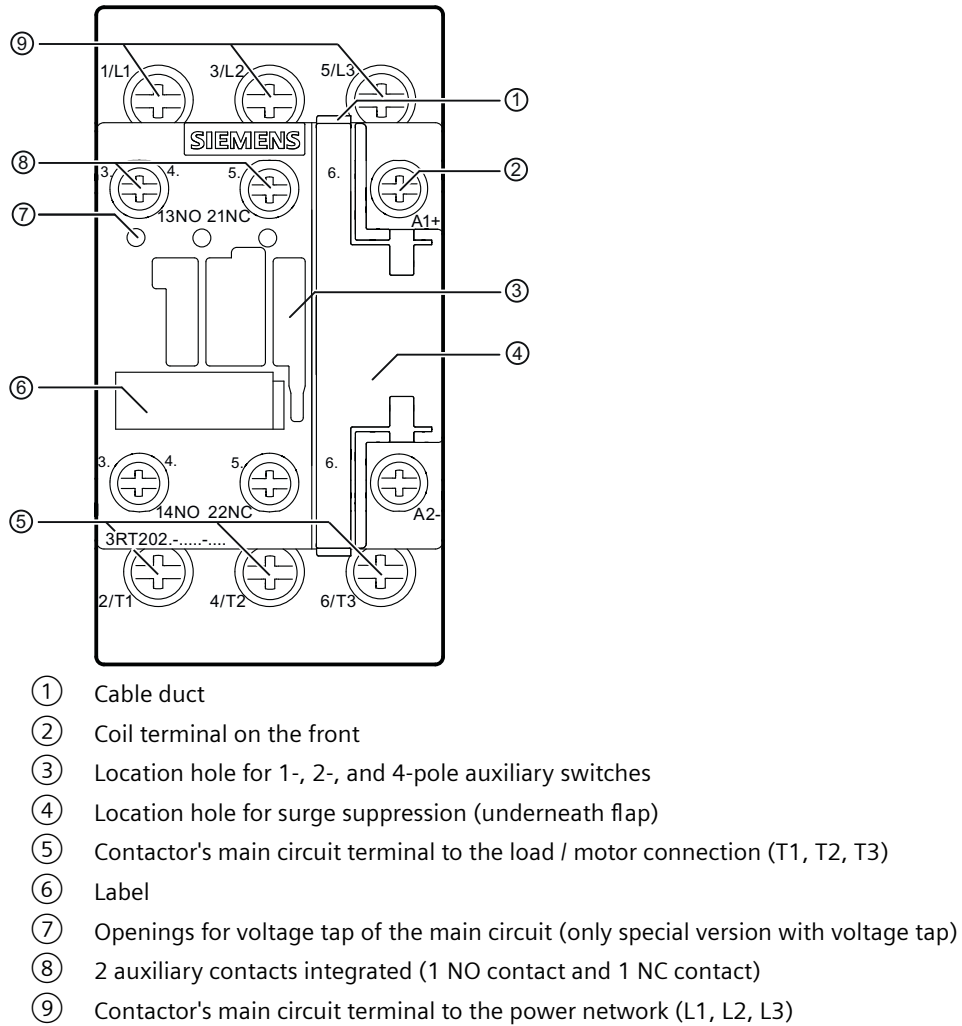


Figure 4-2 3RT202.-.....-..... power contactor, size S0, overview

3RT203 power contactors (size S2)

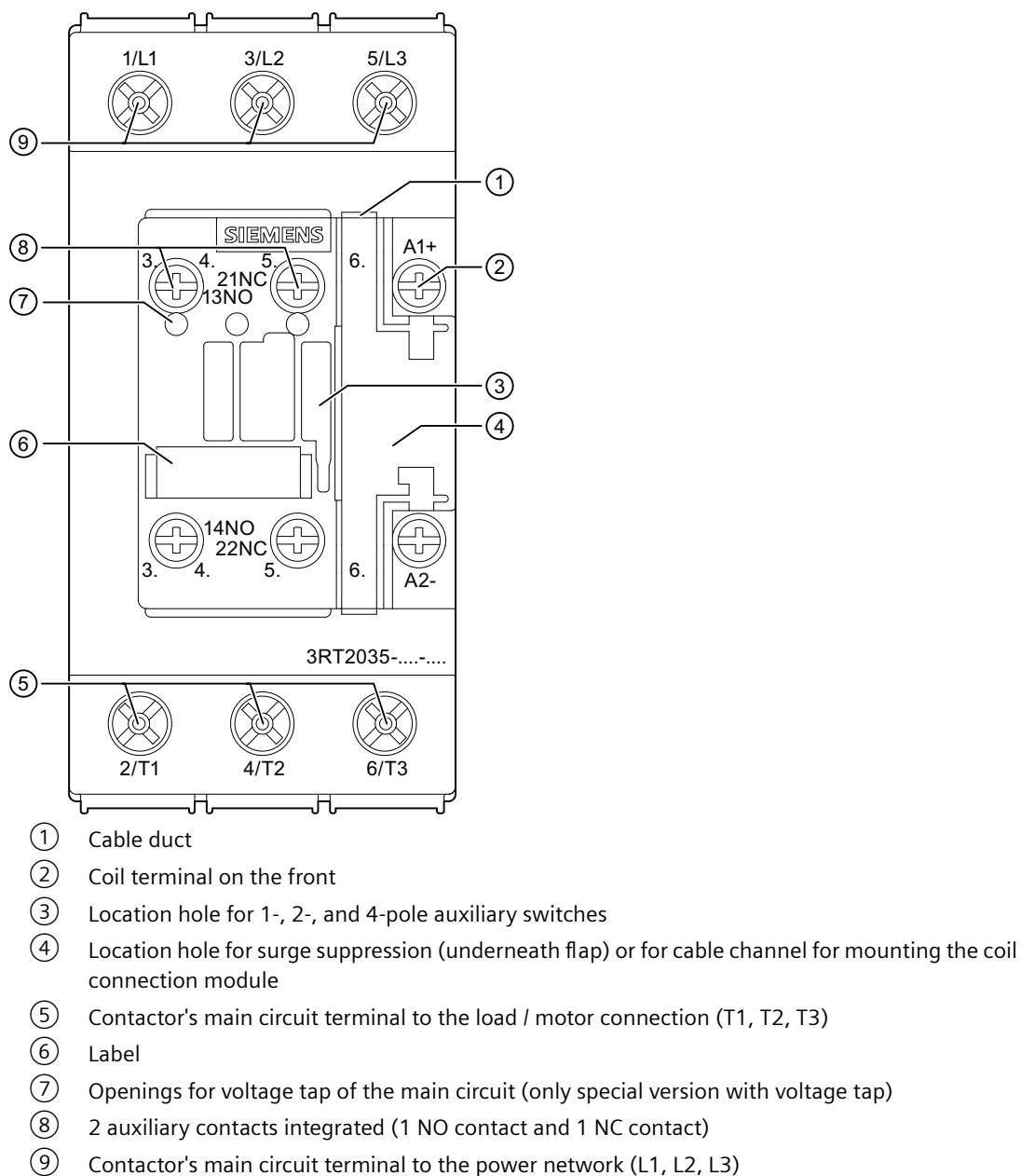


Figure 4-3 3RT203-..... power contactor, size S2, overview

3RT203.-.S.30 contactors with fail-safe control input (size S2)

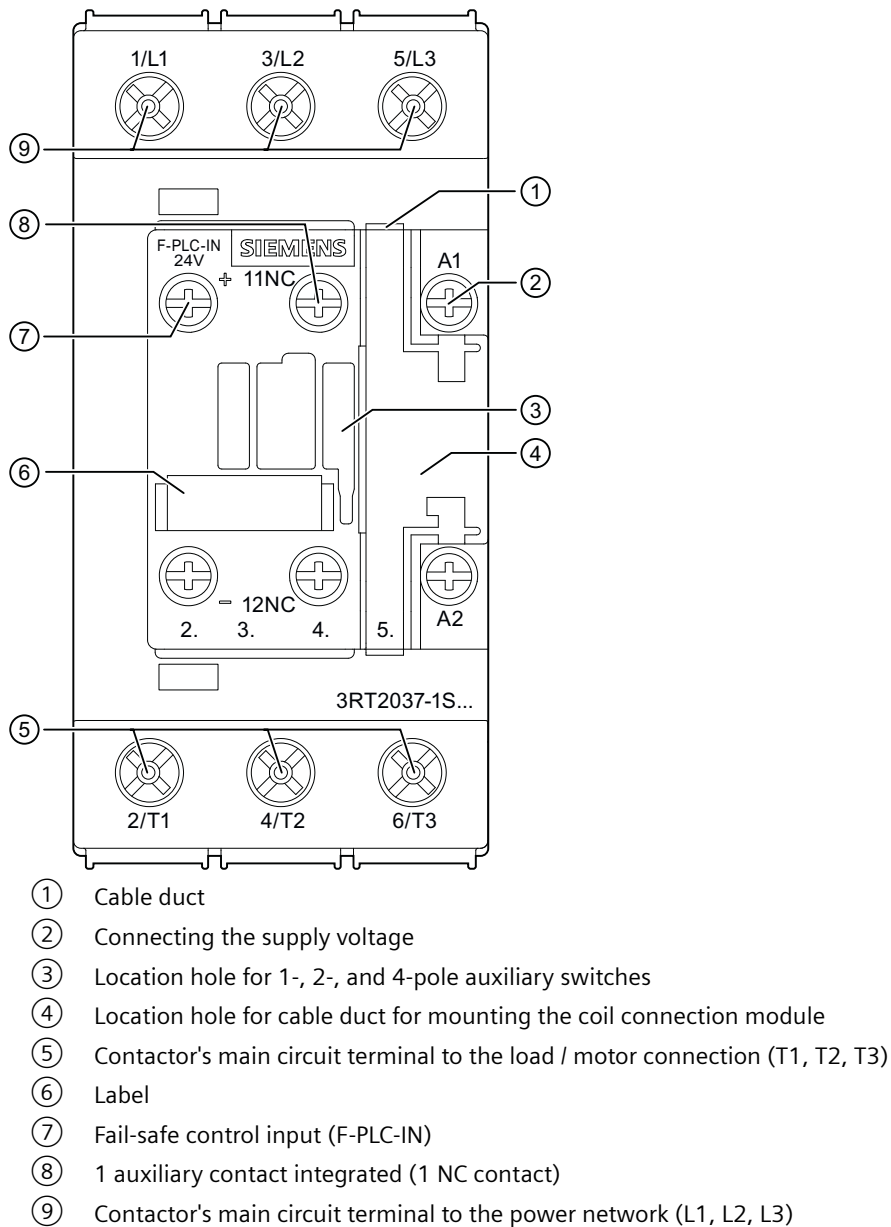


Figure 4-4 3RT203.-.S.30 contactors with fail-safe control input, size S2, overview

3RT204 / 3RT244 power contactors (size S3)

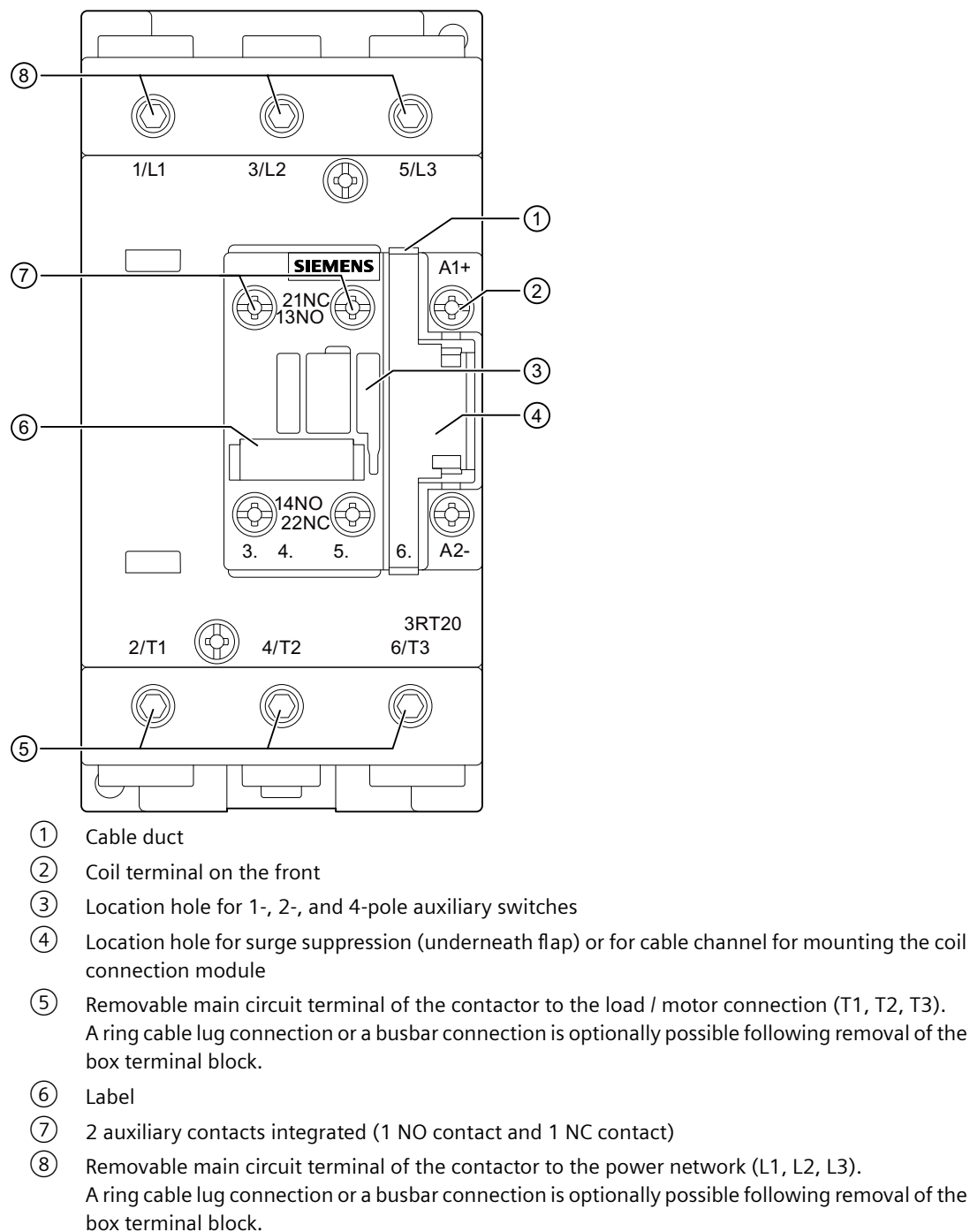


Figure 4-5 3RT204-.....-..... power contactor, size S3, overview (example illustration)

3RT204.-.S.30 contactors with fail-safe control input (size S3)

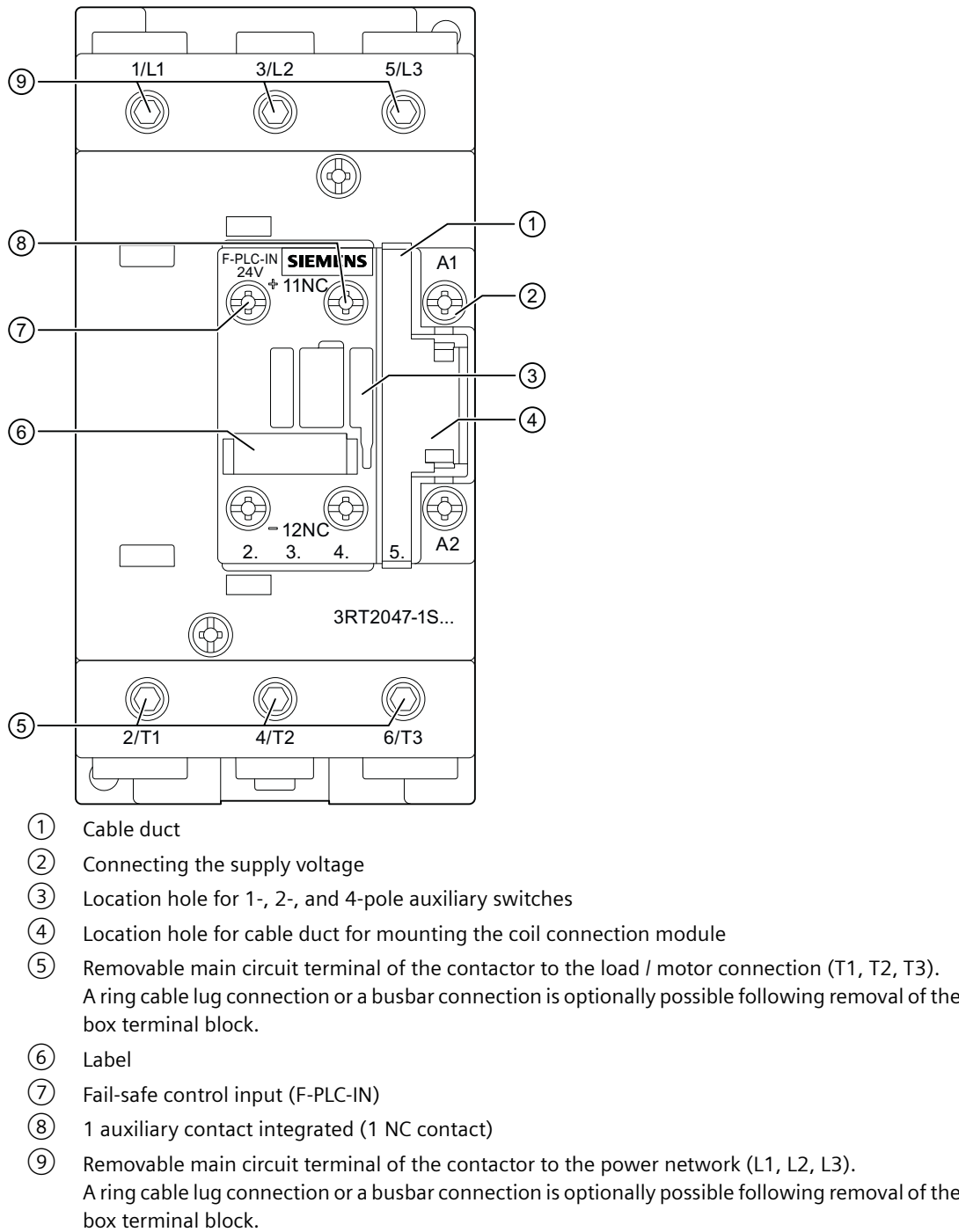


Figure 4-6 3RT204.-.S.30 contactors with fail-safe control input, size S3, overview

4.2.2 3RT1 power contactors

Versions

Table 4-2 Versions of the 3RT1 power contactors

| Feature | Specifications | | | |
|--|---|---|---|---|
| Version | 3RT10 air-break contactor for switching motorized loads | 3RT12 vacuum contactors for switching motorized loads | 3RT13 air-break contactor for switching slightly inductive or non-inductive loads | 3RT14 air-break contactor for switching slightly inductive or non-inductive loads |
| Size | S6, S10, S12 | S10, S12 | S6, S10, S12 | S6, S10, S12 |
| Number of poles | 3 | 3 | 4 | 3 |
| Number of factory-mounted auxiliary contacts | 2 NC contacts and 2 NO contacts ¹⁾ | | | |

¹⁾ Number of factory-installed auxiliary contacts of the 3RT10..-6P... and 3RT14..-6P... air-break contactors (Solid-state operating mechanism with separate control input for PLC and remaining lifetime signal): 1 NC contact and 1 NO contact

Auxiliary contact complement

The vacuum contactors can be fitted with up to eight lateral auxiliary contacts. Please ensure symmetry in the case of laterally-mounted auxiliary switches. Up to four NC contacts are permissible.

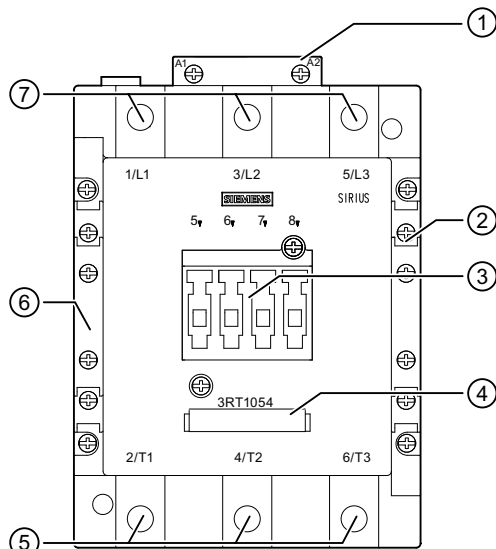
Connection systems

The contactors can be supplied with the connection systems detailed below:

Table 4-3 Connection systems

| Connection system | 3RT10 air-break contactor for switching motorized loads | 3RT12 vacuum contactors for switching motorized loads | 3RT13 air-break contactor for switching slightly inductive or non-inductive loads | 3RT145, 3RT146 and 3RT147 air-break contactor for switching slightly inductive or non-inductive loads | 3RT148 air-break contactor for switching slightly inductive or non-inductive loads |
|---|---|---|---|---|--|
| Screw terminals via box terminal (optional) | ✓ | ✓ | — | ✓ | — |
| Screw terminals via connecting bar | ✓ | ✓ | ✓ | ✓ | ✓ |
| Auxiliary conductor and control conductor with spring-type terminals (optional) | ✓ | ✓ | — | ✓ | — |

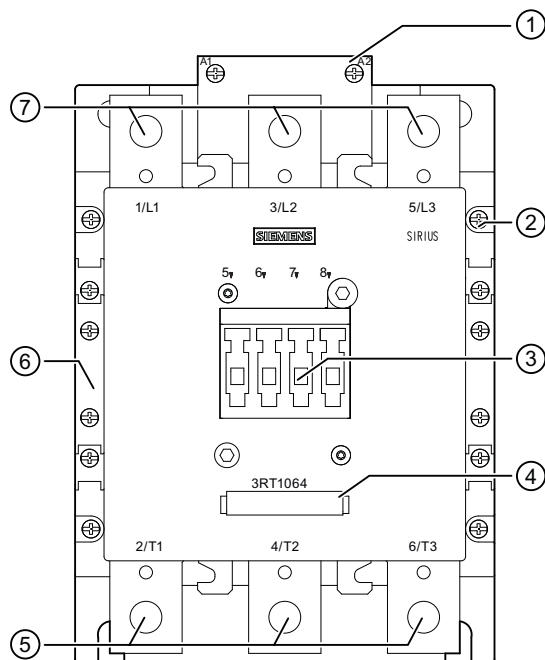
3RT105 / 3RT145 power contactors (size S6)



- ① Coil terminal A1 / A2
With an solid-state operating mechanism, additional terminals + / - 24 V DC signal (control via control input)
- ② 4 laterally mounted auxiliary contacts (2 NO contacts and 2 NC contacts)
- ③ Location hole for 1-, 2-, and 4-pole auxiliary switches
- ④ Label
- ⑤ Main circuit connection as busbar connection (T1, T2, T3)
- ⑥ 4 laterally mounted auxiliary contacts (2 NO contacts and 2 NC contacts)
- ⑦ Main circuit connection as busbar connection (L1, L2, L3)

Figure 4-7 3RT1054-6NB36 power contactor, size S6, overview (example illustration)

3RT106 / 3RT146 power contactors (size S10)



① Coil terminal A1 / A2

With an solid-state operating mechanism, additional terminals + / - 24 V DC signal (control via control input)

② 4 laterally mounted auxiliary contacts (2 NO contacts and 2 NC contacts)

③ Location hole for 1-, 2-, and 4-pole auxiliary switches

④ Label

⑤ Main circuit connection as busbar connection (T1, T2, T3)

⑥ 4 laterally mounted auxiliary contacts (2 NO contacts and 2 NC contacts)

⑦ Main circuit connection as busbar connection (L1, L2, L3)

Figure 4-8 3RT1064-6AB36 power contactor, size S10, overview (example illustration)

3RT107 / 3RT147 power contactors (size S12)

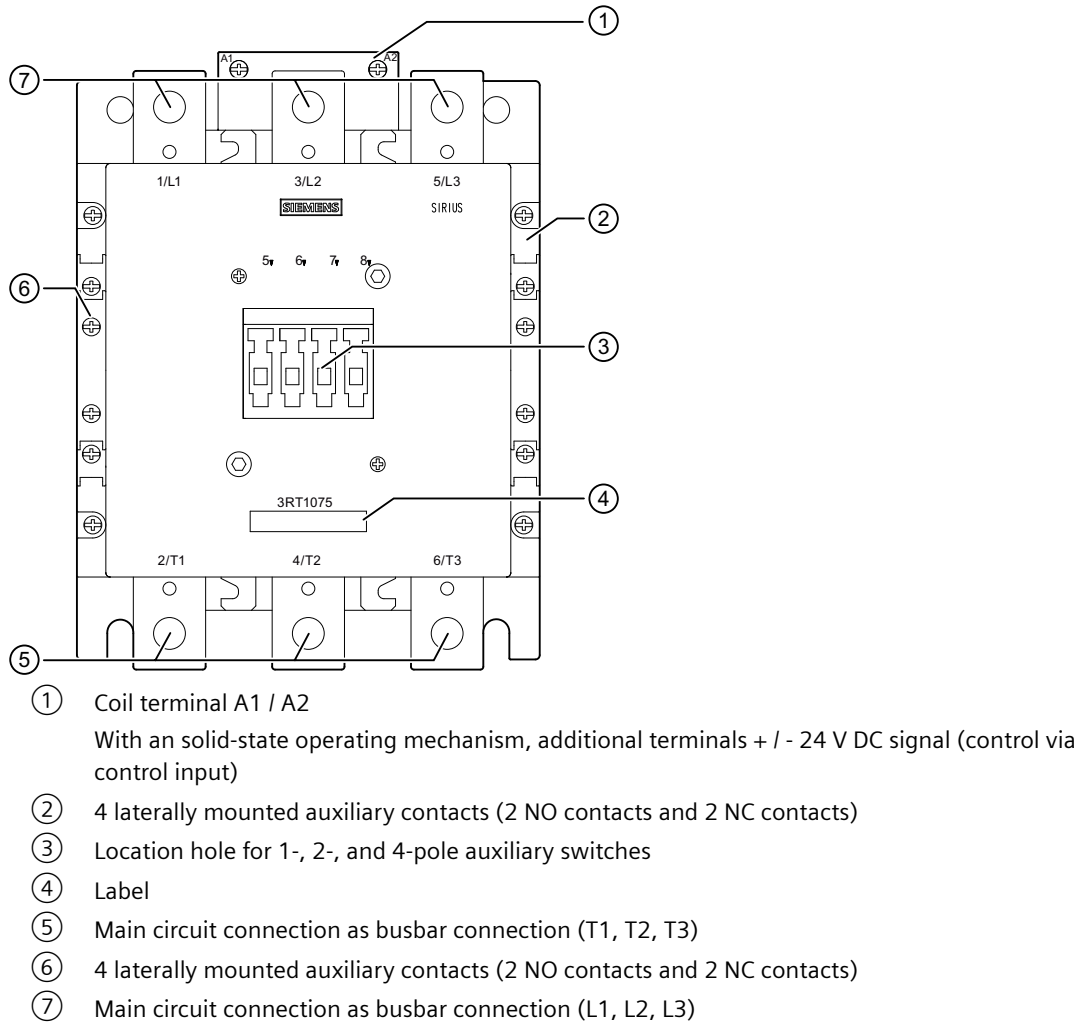


Figure 4-9 3RT1075-6NB36 power contactor, size S12, overview (example illustration)

3RT126 vacuum contactors (size S10)

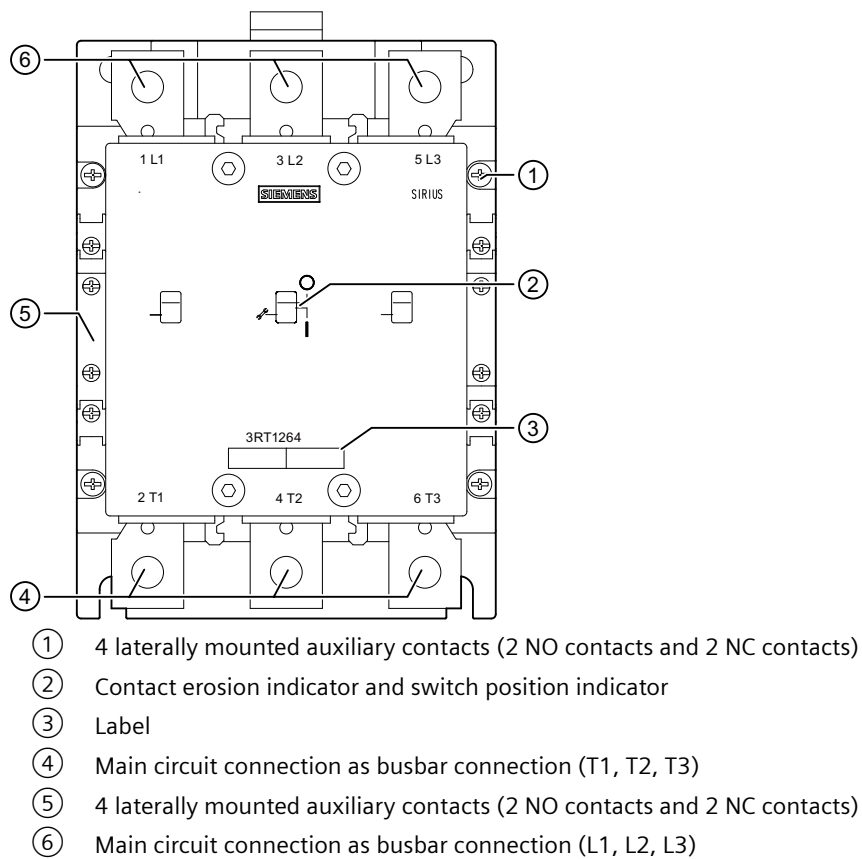


Figure 4-10 3RT1264-6LA06 vacuum contactor, size S10, overview

3RT127 vacuum contactors (size S12)

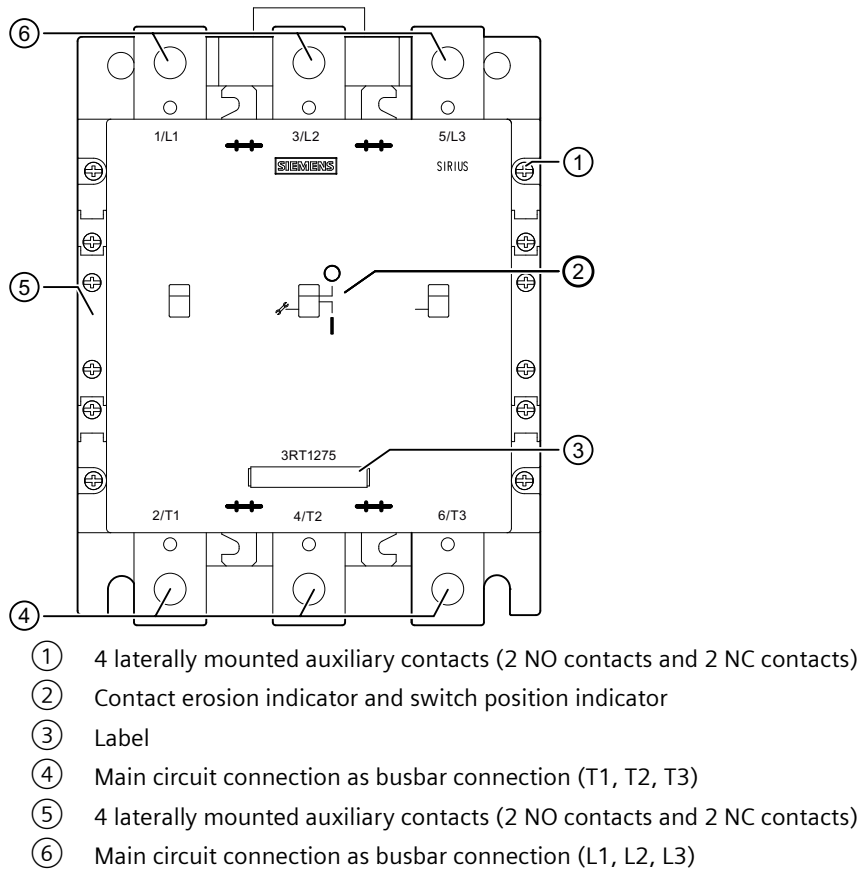


Figure 4-11 3RT1275-6LA06 vacuum contactor, size S12, overview

3RT135 power contactors (size S6)

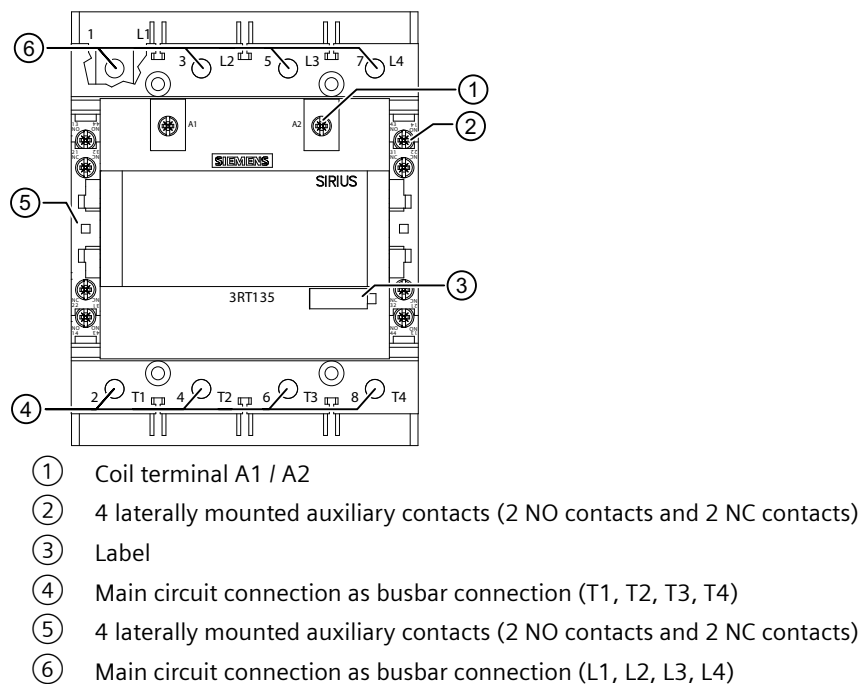


Figure 4-12 3RT135 power contactor, size S6, overview (example illustration)

3RT136 power contactors (size S10)

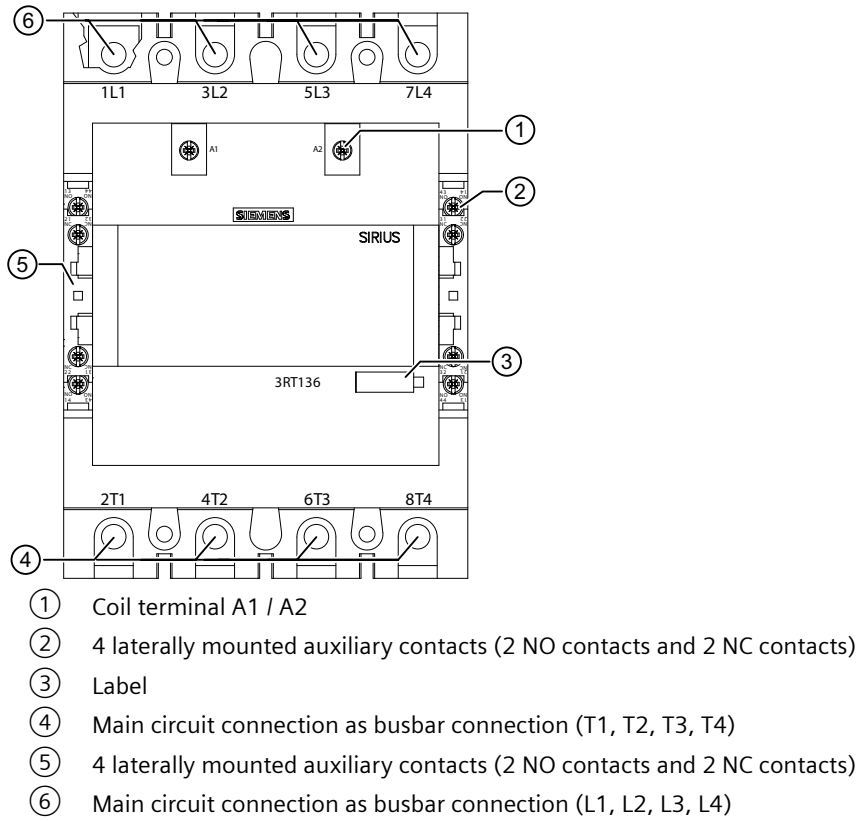


Figure 4-13 3RT136 power contactor, size S10, overview (example illustration)

3RT137 power contactors (size S12)

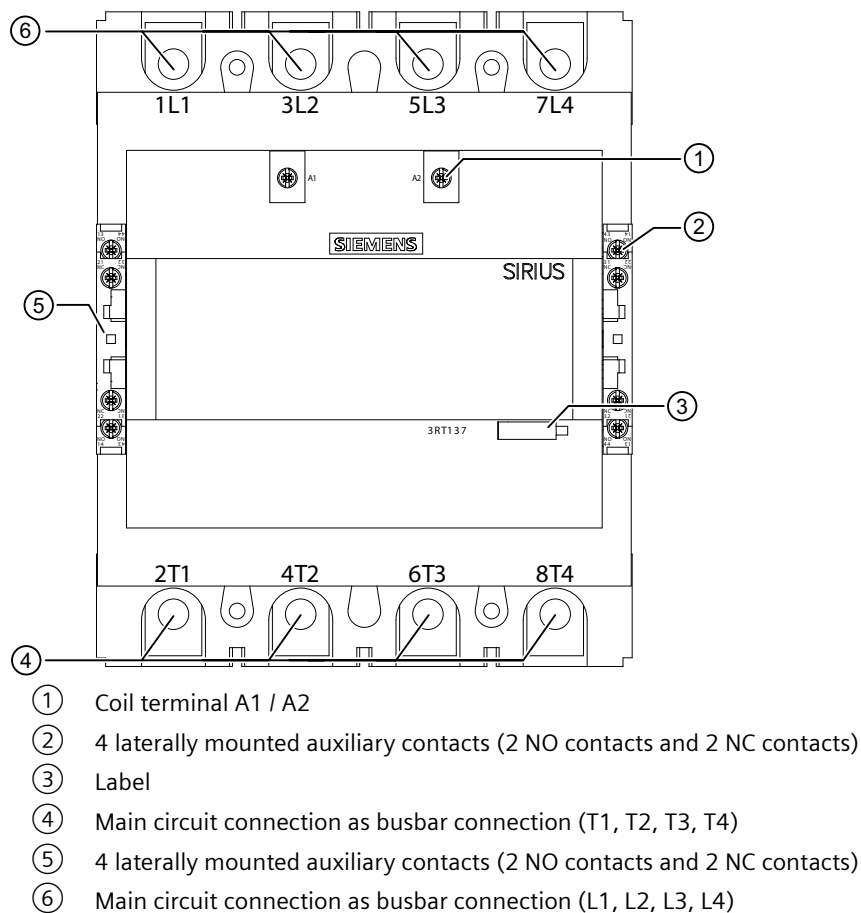


Figure 4-14 3RT137 power contactor, size S12, overview (example illustration)

3RT1481 and 3RT1482 power contactors

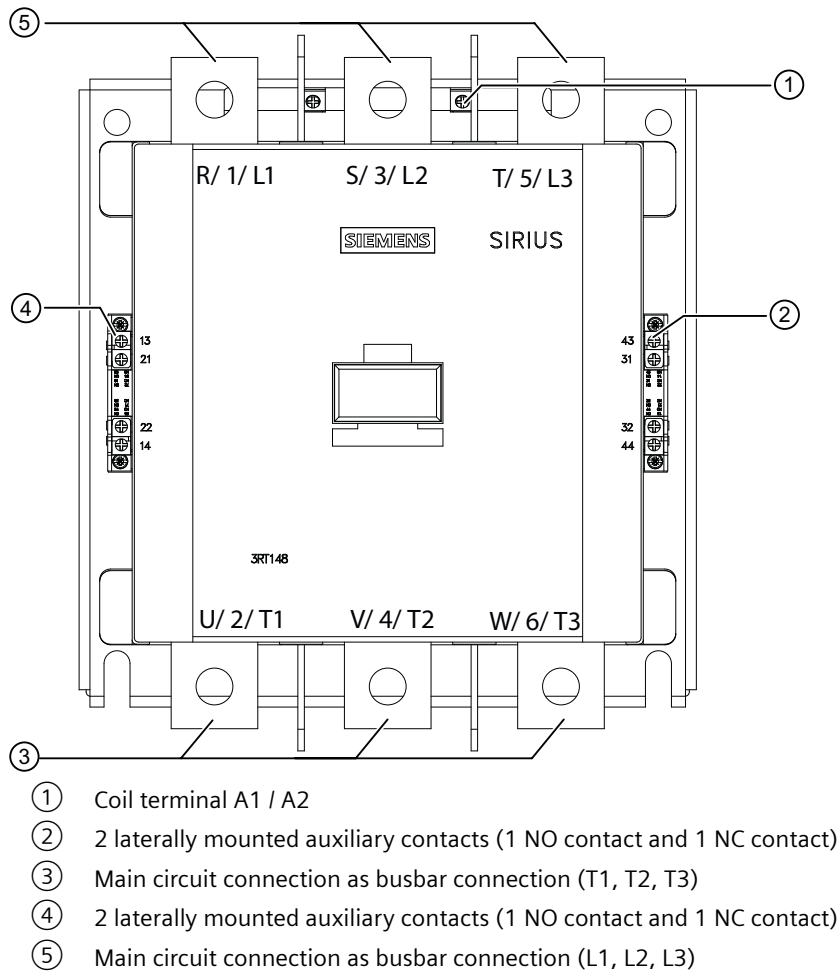
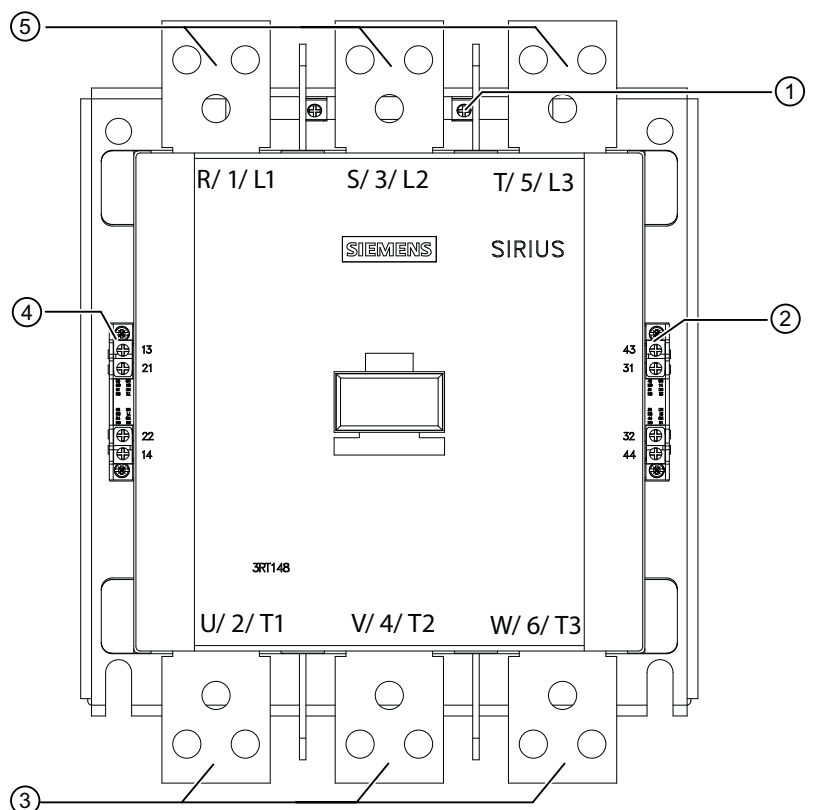


Figure 4-15 3RT1481 power contactor, overview (example illustration)

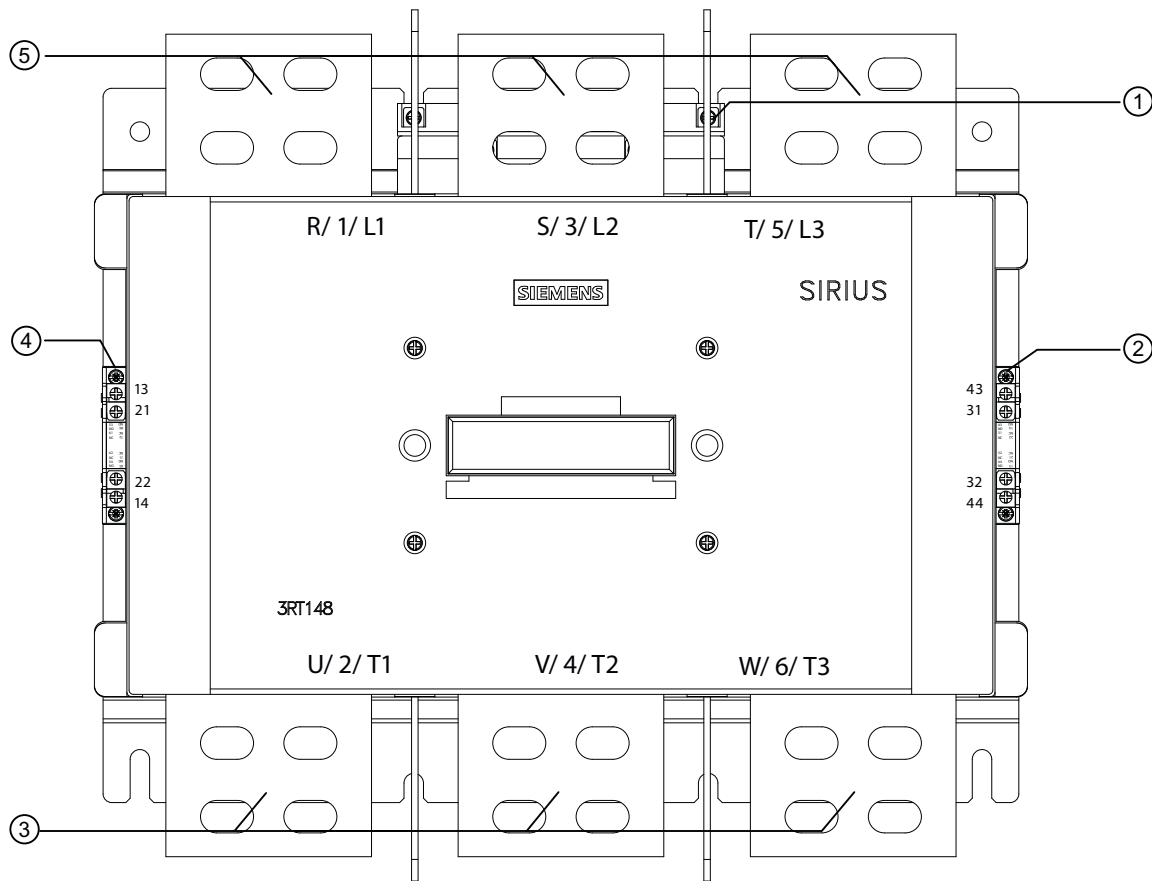
3RT1483 power contactors



- ① Coil terminal A1 / A2
- ② 2 laterally mounted auxiliary contacts (1 NO contact and 1 NC contact)
- ③ Main circuit connection as busbar connection (T1, T2, T3)
- ④ 2 laterally mounted auxiliary contacts (1 NO contact and 1 NC contact)
- ⑤ Main circuit connection as busbar connection (L1, L2, L3)

Figure 4-16 3RT1483 power contactor, overview (example illustration)

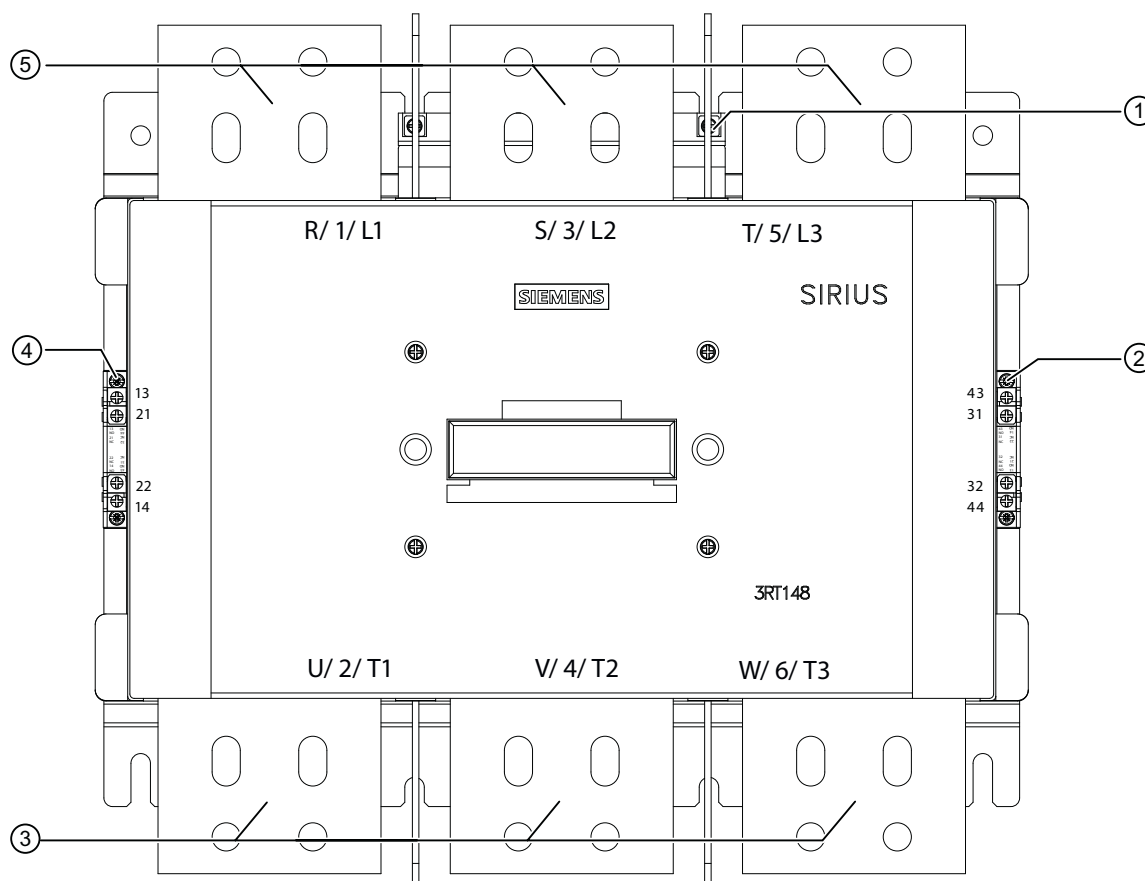
3RT1485 and 3RT1486 power contactors



- ① Coil terminal A1 / A2
- ② 2 laterally mounted auxiliary contacts (1 NO contact and 1 NC contact)
- ③ Main circuit connection as busbar connection (T1, T2, T3)
- ④ 2 laterally mounted auxiliary contacts (1 NO contact and 1 NC contact)
- ⑤ Main circuit connection as busbar connection (L1, L2, L3)

Figure 4-17 3RT1485 power contactor, overview (example illustration)

3RT1487 power contactors



- ① Coil terminal A1 / A2
- ② 2 laterally mounted auxiliary contacts (1 NO contact and 1 NC contact)
- ③ Main circuit connection as busbar connection (T1, T2, T3)
- ④ 2 laterally mounted auxiliary contacts (1 NO contact and 1 NC contact)
- ⑤ Main circuit connection as busbar connection (L1, L2, L3)

Figure 4-18 3RT1487 power contactor, overview (example illustration)

4.2.3 3RH2 contactor relays

3RH2 contactor relays are available in the versions detailed below. The contactors can be supplied with AC and DC operating mechanisms of between 24 V and 230 V (preferred voltages). Different voltage versions are available on request.

Versions

Table 4-4 Versions of the 3RH2 contactor relays

| Feature | Specifications | Contactors for special applications | |
|-----------------|-----------------|---|----------------|
| Version | Contactor relay | Contactors with extended operating range for railway applications | Coupling relay |
| Number of poles | 4 / 8 | 4 | 4 |
| Size | S00 | | |
| Width | 45 mm | | |

Connection systems

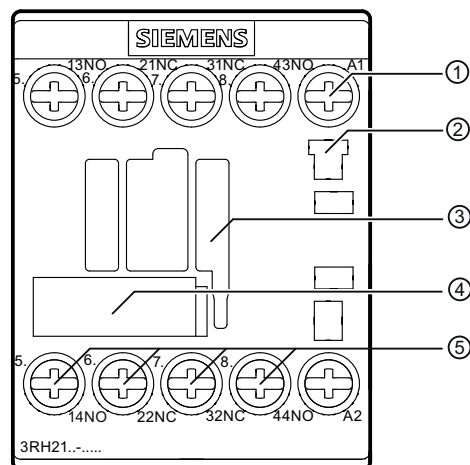
The contactor relays can be supplied with the connection systems detailed below.

Table 4-5 Connection systems available for 3RH2 contactor relays

| Connection system | Contactor relay | Contactors with extended operating range for railway applications | Coupling relay |
|---|-----------------|---|----------------|
| Screw connection | ✓ | ✓ | ✓ |
| Spring-loaded connection | ✓ | ✓ | ✓ |
| Ring cable lug connection | ✓ | --- | --- |
| Solder pin connection (only possible in conjunction with the "solder pin adapter" optional accessory) | ✓ | ✓ | ✓ |

The illustrations below show example equipment features of the 3RH2 contactor relays for switching in the auxiliary circuit.

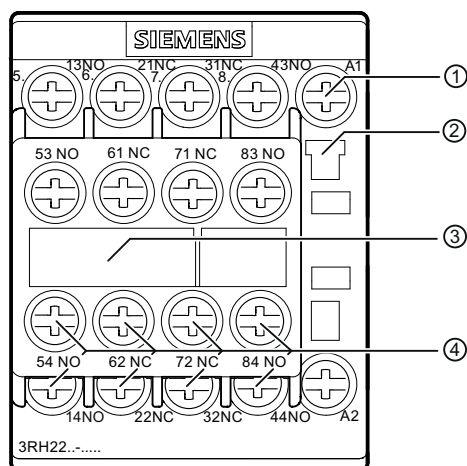
3RH21 contactor relay, 4-pole



- ① Coil terminal on the front
- ② Location hole for surge suppression
- ③ Location hole for 1-, 2-, and 4-pole auxiliary switches
- ④ Label
- ⑤ Auxiliary contacts

Figure 4-19 3RH21..-..... contactor relay, 4-pole, size S00, overview

3RH22 contactor relay, 8-pole



- ① Coil terminal on the front
- ② Location hole for surge suppression
- ③ Label
- ④ Auxiliary contacts

Figure 4-20 3RH22..-..... contactor relay with auxiliary switch on the front which cannot be removed, 8-pole, size S00, overview

4.2.4 3RT26 capacitor contactors

The table below shows the different versions of the 3RT26 capacitor contactors. The contactors are equipped with AC and DC operating mechanism options (exceptions: sizes S2 and S3). An electronic AC/DC operating mechanism can also be ordered for sizes S0, S2 and S3.

Versions

The diversity of the freely available auxiliary switches has been increased for 3RT26 capacitor contactors in comparison with the predecessor 3RT16. Further versions to those in the table entitled "Versions of the 3RT26 capacitor contactors" are also available. Please inquire.

For sizes S2 and S3, freely available auxiliary switches are implemented by means of lateral auxiliary switches.

Units with 2 NC contacts are now continuously available.

| Feature | | Specification |
|---|-----|--|
| Version | | Capacitor contactor for switching capacitive loads |
| Number of poles | | 3 |
| Number of integrated auxiliary contacts | S00 | 2 NC contacts or 1 NO contact and 1 NC contact |
| | S0 | 1 NO contact and 2 NC contacts |
| | S2 | 2 NC contacts or 1 NO contact and 1 NC contact |
| | S3 | 2 NC contacts or 1 NO contact and 1 NC contact |

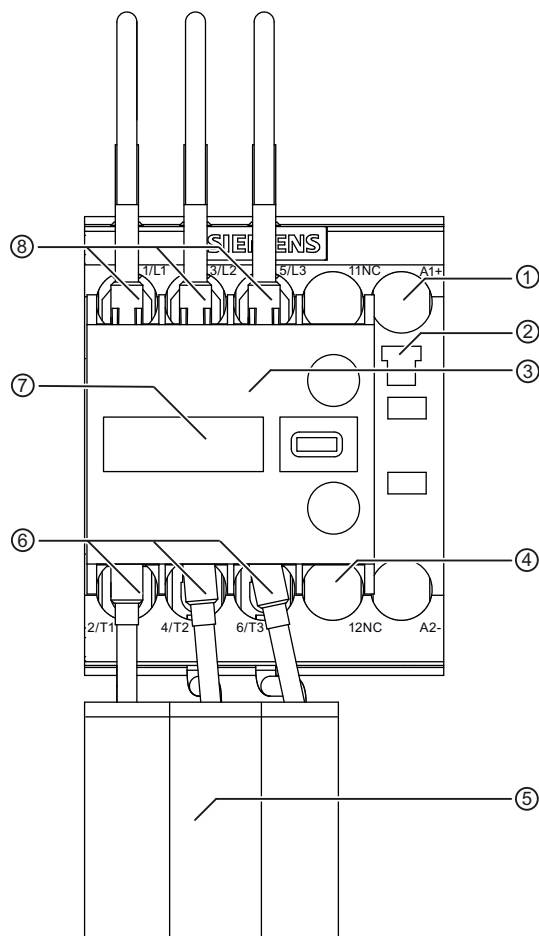
Versions of the 3RT26 capacitor contactors

Connection systems

The capacitor contactors can be supplied with the connection systems detailed below:

- Screw connection

3RT26 capacitor contactors (size S00)



- ① Coil terminal on the front
- ② Location hole for surge suppression
- ③ Permanently mounted 4-pole precharging block for 3 precharging contacts and 1 auxiliary contact
- ④ 1 integrated auxiliary contact
- ⑤ Precharging resistors
- ⑥ Contactor's main circuit terminal to the load (T1, T2, T3)
- ⑦ Label
- ⑧ Contactor's main circuit terminal to the power network (L1, L2, L3)

Figure 4-21 3RT2617.-.....-.... capacitor contactor, size S00, overview

3RT26 capacitor contactors (size S0)

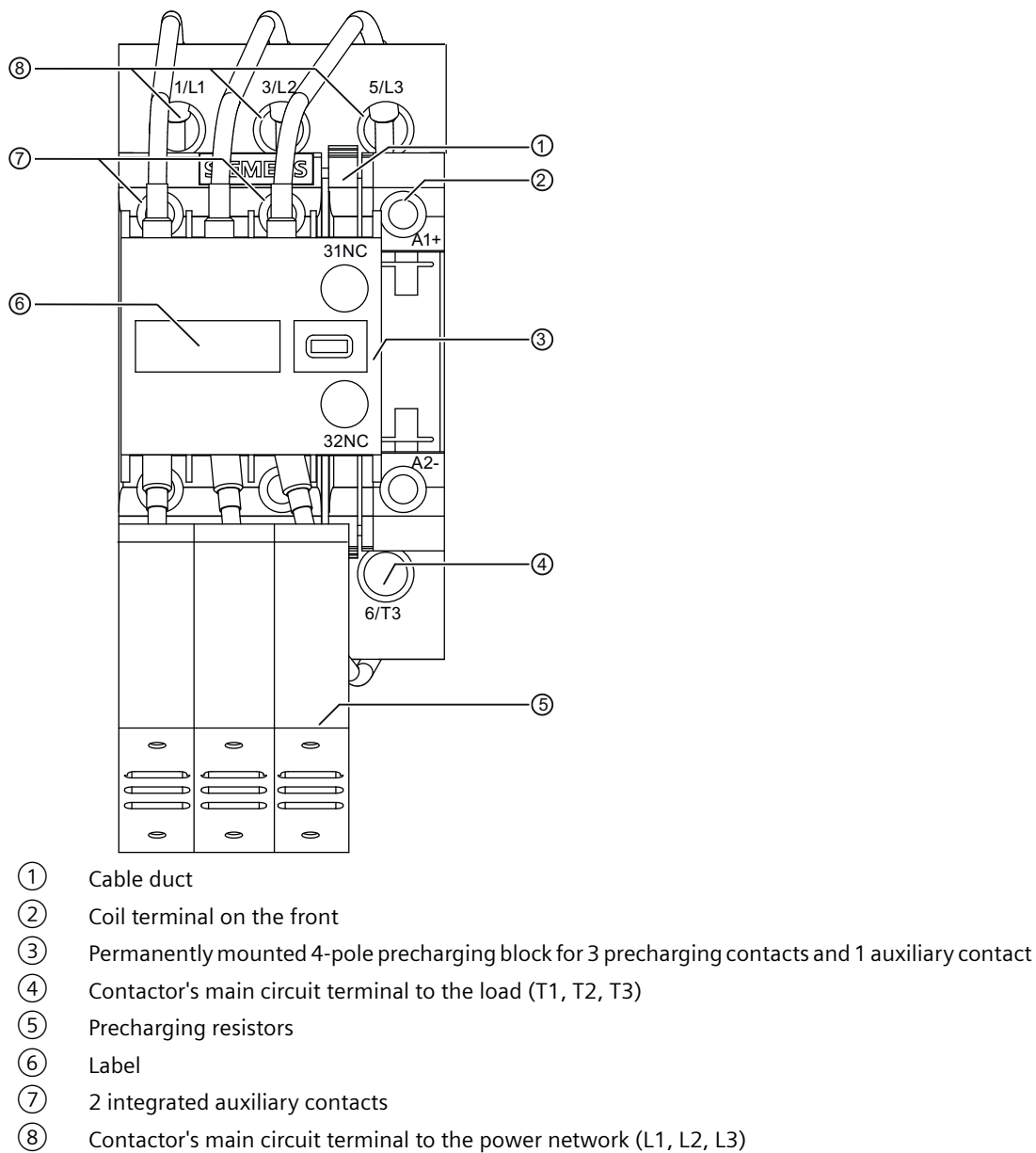
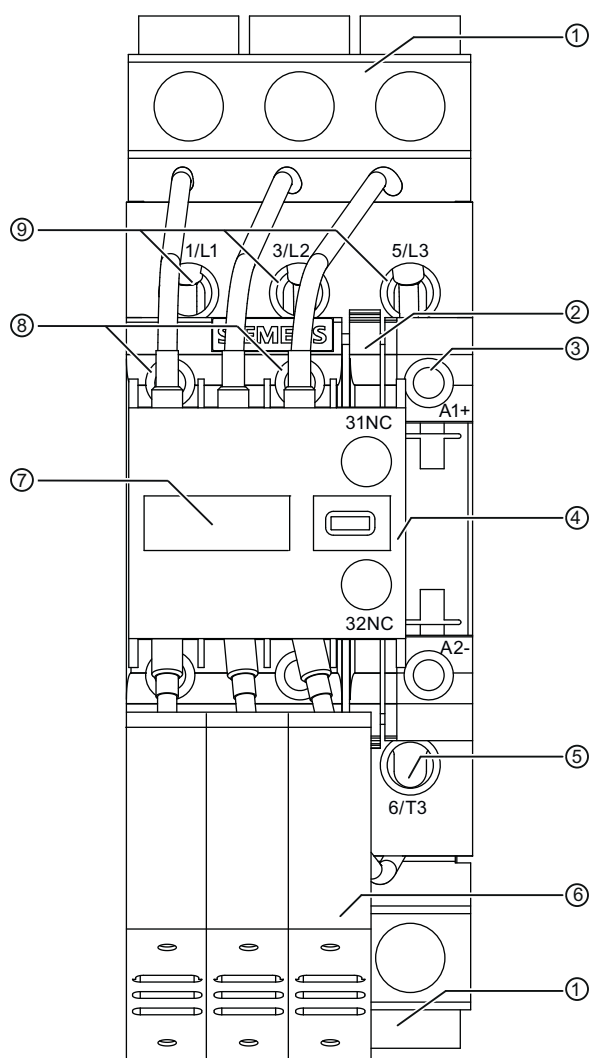


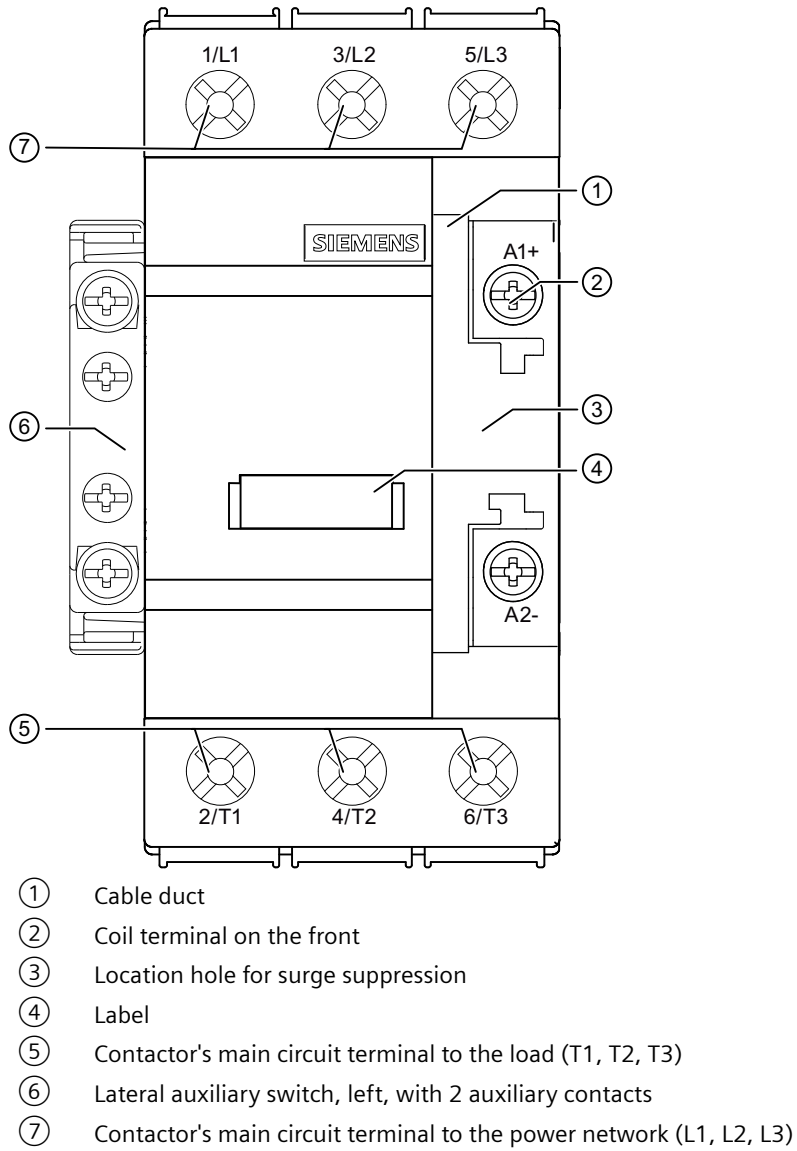
Figure 4-22 3RT2625-.....-..... capacitor contactor, size S0, overview



- ① Infeed terminal
- ② Cable duct
- ③ Coil terminal on the front
- ④ Permanently mounted 4-pole precharging block for 3 precharging contacts and 1 auxiliary contact
- ⑤ Contactor's main circuit terminal to the load (T1, T2, T3)
- ⑥ Precharging resistors
- ⑦ Label
- ⑧ 2 integrated auxiliary contacts
- ⑨ Contactor's main circuit terminal to the power network (L1, L2, L3)

Figure 4-23 3RT2628-.....-..... capacitor contactor, size S0, overview

3RT26 capacitor contactors (size S2)



- ① Cable duct
- ② Coil terminal on the front
- ③ Location hole for surge suppression
- ④ Label
- ⑤ Contactor's main circuit terminal to the load (T1, T2, T3)
- ⑥ Lateral auxiliary switch, left, with 2 auxiliary contacts
- ⑦ Contactor's main circuit terminal to the power network (L1, L2, L3)

Figure 4-24 3RT263-.....-..... capacitor contactor, size S2, overview

3RT26 capacitor contactors (size S3)

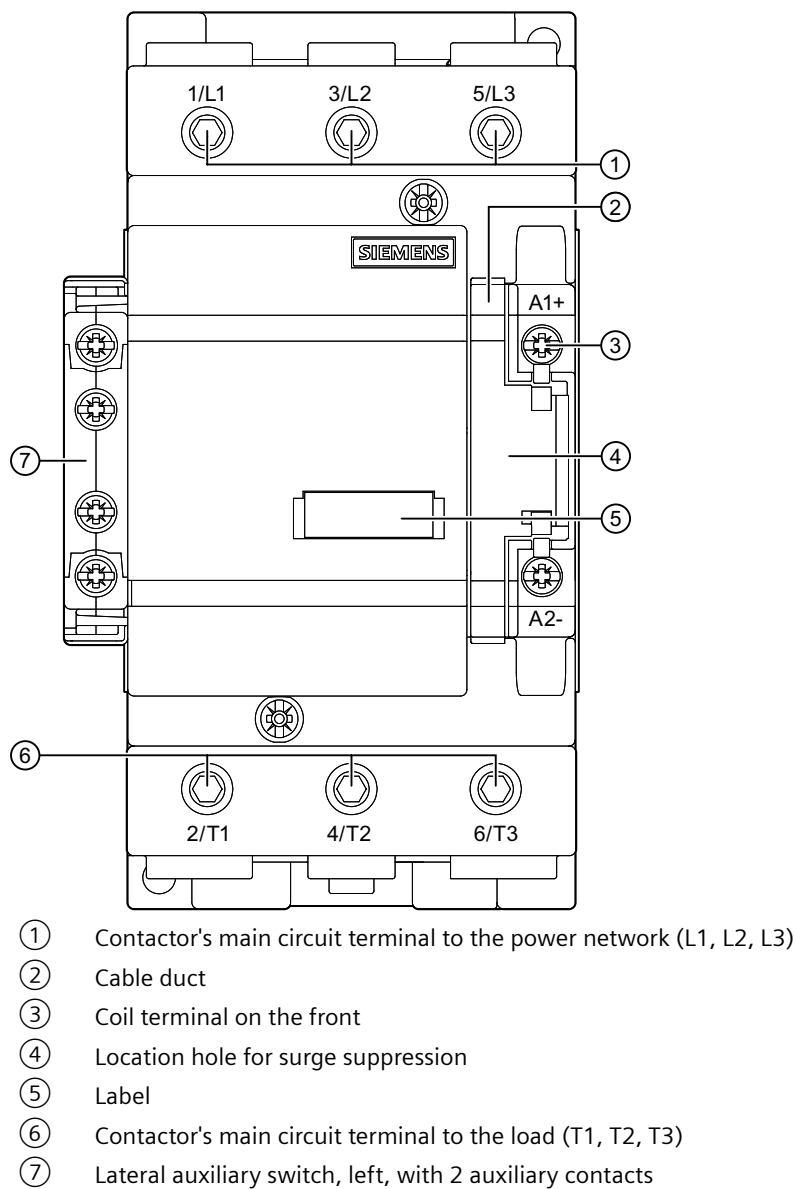


Figure 4-25 3RT264.-.....-..... capacitor contactor, size S3, overview

4.2.5 3RA23 reversing contactor assemblies

The reversing contactor assemblies of sizes S00 to S3 are available in two versions:

- Fully wired and tested with electrical and mechanical interlock.
- As a kit for customer assembly.

The fully wired and tested reversing contactor assembly consists of 2 contactors of the same power rating, each with an NC contact in the basic device, link modules and wiring modules. The contactors are mechanically and electrically interlocked (NC contact interlock). The contactor assemblies for reversing are climate-proof. They are finger-safe according to IEC 61140.

Connection systems

The fully wired 3RA23 reversing contactor assembly is available either with a screw-type connection system or a spring-loaded connection system (sizes S0 and S00).

Sizes S2 and S3 are only available with screw-type connection. In sizes S2 and S3, the spring-loaded connection system is only available in the control circuit.

The illustrations below show the fully assembled reversing contactor assemblies, in the version with the screw-type connection system.

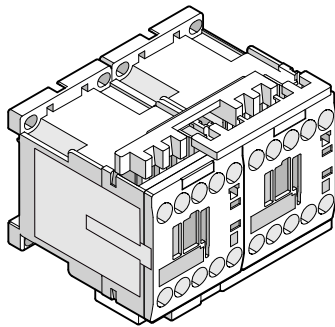


Figure 4-26 3RA23 reversing contactor assembly, screw connection, size S00

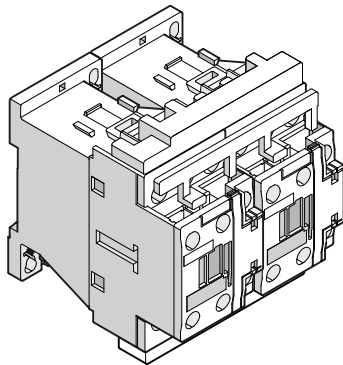


Figure 4-27 3RA23 reversing contactor assembly, screw connection, size S0

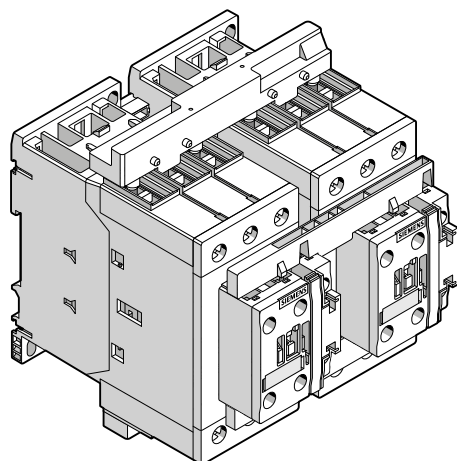


Figure 4-28 3RA23 reversing contactor assembly, screw connection, size S2

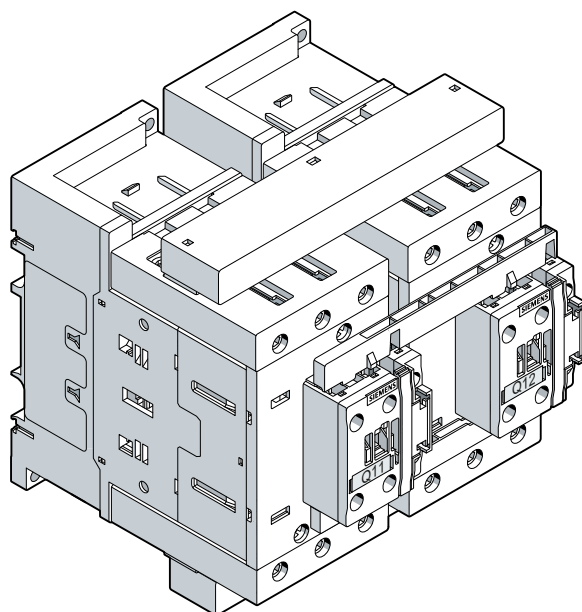


Figure 4-29 3RA23 reversing contactor assembly, screw connection, size S3

Reversing contactor assemblies with communication interface

The reversing contactor assemblies with communication interface are required for mounting the function modules for connection to the automation level via the bus system.

Reference

| More information ... | Can be found in the chapter titled ... |
|--|--|
| About the 3RA23 reversing contactor assemblies | Operation of a motor in two directions of rotation (reversing contactor assembly) (Page 142). |
| About the components for self-assembly of the reversing contactor assemblies | Assembly kit for reversing contactor assembly (sizes S00 to S3) (Page 370) and wiring kit for reversing contactor assemblies (sizes S6 to S12) (Page 387). |
| About the function modules that can be attached to a reversing contactor assembly with communication interface | 3RA27 function modules for connection to the controller (AS-Interface or IO-Link). (Page 369) |

4.2.6 3RA24 contactor assemblies for star-delta (wye-delta) start

The 3RA24 contactor assembly for star-delta (wye-delta) start consists of three 3-pole contactors (line contactor, star contactor, and delta contactor), main circuit wiring modules, and plug-on function modules for the control circuit wiring.

The 3RA24 contactor assembly for star-delta (wye-delta) start of sizes S00 to S3 is available in two versions:

- Fully wired and tested with electrical and mechanical interlock.
- As a kit for customer assembly.

The fully wired 3RA24 contactor assemblies for star-delta (wye-delta) start can be ordered with the following plug-on function modules:

- Without a communication connection.
- With communication connection (IO-Link or AS-Interface)

Connection systems

The fully wired 3RA24 contactor assembly for star-delta (wye-delta) start is available either with a screw-type connection system or a spring-loaded connection system (sizes S0 and S00).

Sizes S2 and S3 are only available with screw-type connection. In sizes S2 and S3, the spring-loaded connection system is only available in the control circuit.

The illustrations below show the fully assembled contactor assembly for star-delta (wye-delta) start without a communication connection, in the version with the screw-type connection system.

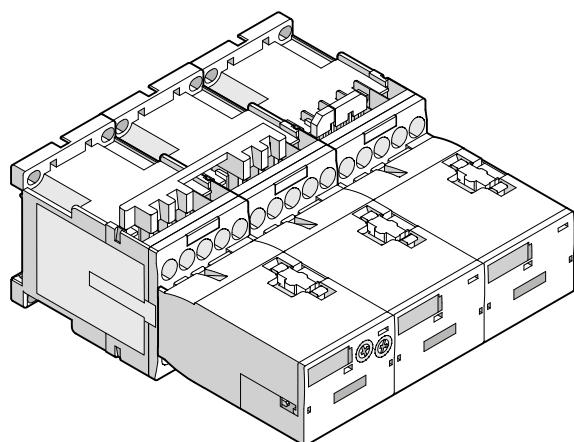


Figure 4-30 3RA24 contactor assembly for star-delta (wye-delta) start, screw connection, size S00

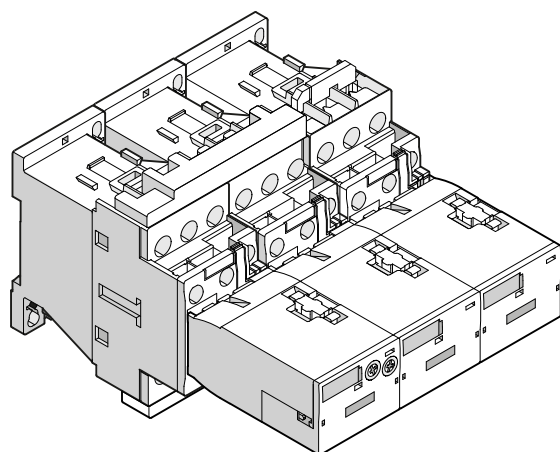


Figure 4-31 3RA24 contactor assembly for star-delta (wye-delta) start, screw connection, size S0

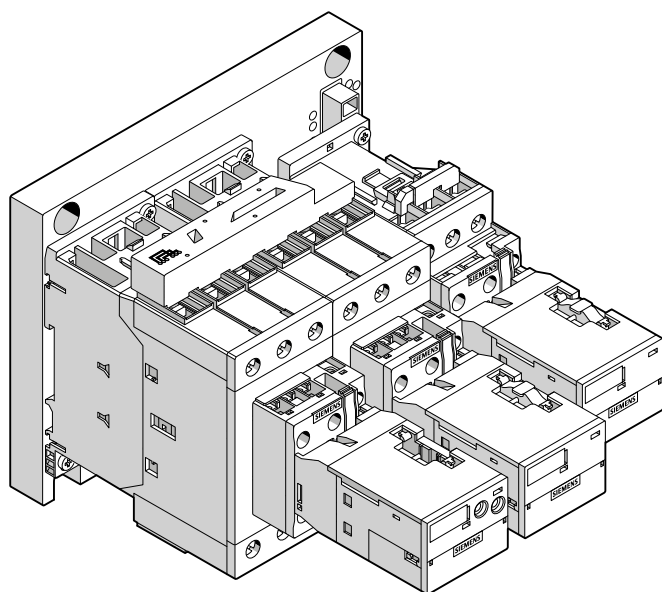


Figure 4-32 **3RA24 contactor assembly for star-delta (wye-delta) start, screw connection, size S2 / S0 (3RA2434-8X.32-1..., 3RA2435-8X.32-1..., 3RA2436-8X.32-1...)**

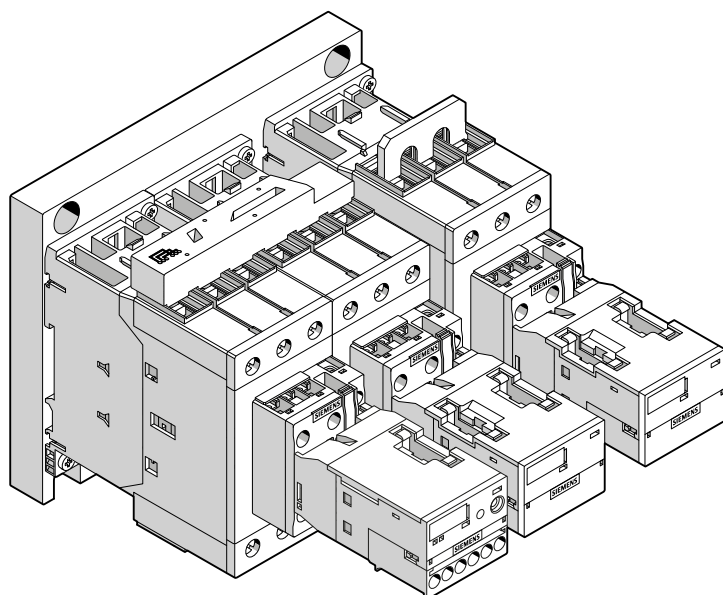


Figure 4-33 **3RA24 contactor assembly for star-delta (wye-delta) start, screw connection, size S2 / S2 (3RA2437-8X.32-1...)**

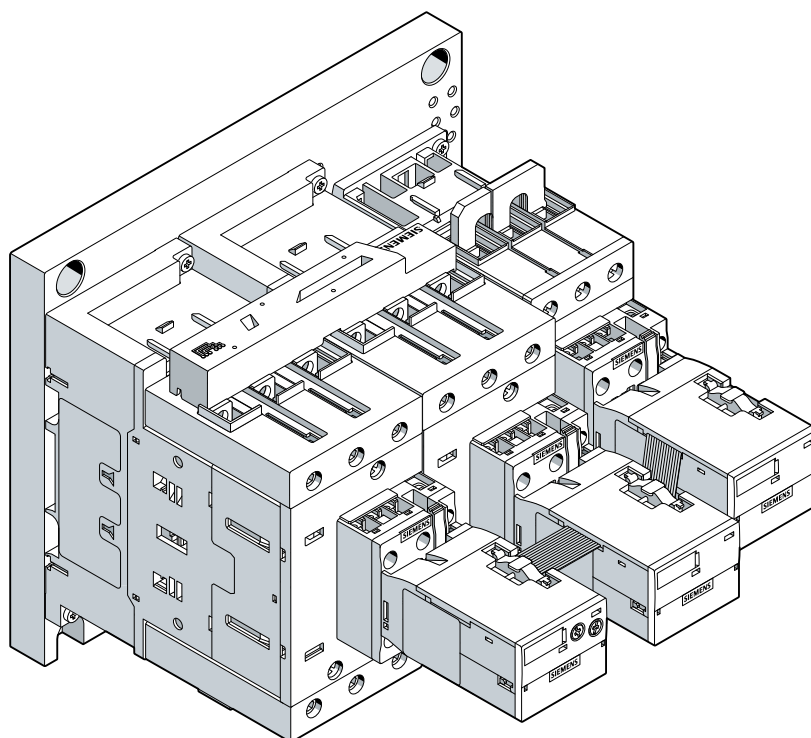


Figure 4-34 **3RA24 contactor assembly for star-delta (wye-delta) start, screw connection, size S3 / S2** (3RA2444-8X.32-1..., 3RA2445-8X.32-1..., 3RA2446-8X.32-1...)

Reference

| More information ... | Can be found in the chapter titled ... |
|--|---|
| About the fully wired 3RA24 contactor assembly for star-delta (wye-delta) start | Starting three-phase motors with reduced starting current peaks (contactor assembly for star-delta (wye-delta) start) (Page 147) |
| About the components for customers to assemble their own contactor assemblies for star-delta (wye-delta) start | Assembly kit for contactor assemblies for star-delta (wye-delta) start (sizes S00 to S3) (Page 393) and Wiring kit for contactor assemblies for star-delta (wye-delta) start (sizes S6 to S12). (Page 426). |

4.2.7 Drive options

Operating mechanism options

The following operating mechanism types are available for 3RH2 contactor relays and 3RT2 power contactors:

- AC operating mechanism (sizes S00, S0, S2 and S3), conventionally controlled
- DC operating mechanism (sizes S00 and S0), conventionally controlled
- AC / DC operating mechanism (sizes S0, S2 and S3), electronically controlled ²⁾
 - For output from fail-safe controllers or 24 V DC safety relays (only for sizes S2 and S3)
- DC operating mechanism (sizes S2 and S3), electronically controlled ^{1), 2)}

¹⁾ For electronically controlled DC operating mechanisms in sizes S2 and S3: Residual ripple with rectified AC voltage > 50%

²⁾ For use in safety-related applications, please note that complex electronic components (microprocessors) are used in the electronically controlled DC operating mechanisms and AC/DC operating mechanisms.

The following operating mechanism types are available for 3RT10 and 3RT14 contactors and 3RT12 vacuum contactors (sizes S6 to S12):

- AC / DC operating mechanism conventional
- AC / DC operating mechanism (electronically controlled)
 - For 24 V DC PLC output
 - For 24 V DC PLC output, with remaining lifetime signal (RLT)
 - For output from fail-safe controllers or 24 V DC safety relays
- DC operating mechanism (electronically controlled)
 - For contactors with extended operating range (e.g. for railway applications) for PLC output 24 ... 110 V DC

The following operating mechanism type is available for 3RT13 contactors (sizes S6 to S12):

- AC / DC operating mechanism (electronically controlled)

The following operating mechanism type is available for 3RT148 contactors:

- AC / DC operating mechanism (electronically controlled)

4.3 Reference

Reference

| More information ... | Can be found in the chapter titled ... |
|--|--|
| About contactor relay and power contactor applications | Configuration (Page 75) |

4.3 Reference

Product combinations

The SIRIUS contactors are part of the SIRIUS modular system and offer all the advantages which SIRIUS users have come to expect in terms of the ability to combine any of the system's products together with any others. These benefits are thanks to the uniform mechanical and electrical properties used throughout the modular system and are also due to the interplay with the higher control level.

As well as the contactor accessories, 3RT2 contactors can also be combined with the following other SIRIUS devices for direct mounting:

- 3RV2 motor starter protectors (with 3RA29 link module)
- Thermal (3RU2) or electronic overload relays (3RB3)
- 3RR2 current monitoring relays
- 3RA28 function modules and 3RA27 function modules with a communication connection

As well as the contactor accessories, 3RT1 contactors can also be combined with the following other devices:

- 3RT10 and 3RT12 contactors with 3VA circuit breaker
- 3RT148 contactors with 3VA and 3WL circuit breaker

Reference

| More information ... | Can be found in the appendix ... |
|---|---|
| About the possible combinations of standard products from the SIRIUS modular system | "References" under "Manuals - SIRIUS Modular System (Page 496)" |

Configuration

6.1 Overview of applications for contactors and contactor assemblies

The table below provides an overview of the most important applications for contactors and contactor assemblies.

| Application area | Description and suitable contactor versions |
|---|--|
| Switching motorized loads | Contactors for switching three-phase motors (utilization category AC-3) <ul style="list-style-type: none"> • 3RT20 3-pole motor contactors • 3RT233..4AA0 / 3RT234..4AA0 4-pole motor contactors • 3-pole 3RT10 motor contactors • 3-pole 3RT12 vacuum contactors |
| Switching slightly inductive or non-inductive loads | Contactors for switching slightly inductive or non-inductive loads (utilization category AC-1). <ul style="list-style-type: none"> • 3RT20 3-pole power contactors • 3RT23 4-pole power contactors (4 NO contacts) • 4-pole 3RT13 power contactors (4 NO contacts) • 3-pole 3RT24 power contactors (3 NO contacts) • 3RT25 4-pole power contactors (2 NO contacts + 2 NC contacts) • 3-pole 3RT14 power contactors |
| Changing the polarity of hoisting gear motors | Changing the polarity of hoisting gear motors or switching two separate loads. <ul style="list-style-type: none"> • 3RT25 4-pole contactors (2 NO contacts + 2 NC contacts) |
| Switching in the auxiliary circuit | Switching devices for control and auxiliary circuits (utilization categories AC-12/AC-15/AC-14/DC-12/DC-13). <ul style="list-style-type: none"> • 3RH21 4-pole contactor relays • 3RH22 8-pole contactor relays |
| Switching of capacitive loads | Contactors for switching capacitive loads (utilization category AC-6b) <ul style="list-style-type: none"> • 3RT26 3-pole capacitor contactors |

| Application area | Description and suitable contactor versions | |
|---|---|--|
| Contactors with extended operating range | Contactors for railway applications | Contactors for switching electrical loads in the main and control circuits with extended operating and temperature ranges, e.g. for railway applications or for use in rolling mills (special versions of contactor range 3RT20/3RH21). <ul style="list-style-type: none"> • 3RT2 3-pole power contactors • 3RH2 4-pole contactor relays • 3RT2 3-pole coupling relays • 3RH2 4-pole coupling relays • 3-pole 3RT1 power contactors |
| | Coupling relays (for sizes S00 to S3) | The coupling relays are tailored to the special requirements of working with electronic controls (extended operating range and reduced coil power). Different versions are available for main and control circuits (special versions of contactor range 3RT20/3RH21). <ul style="list-style-type: none"> • 3RT20 3-pole coupling relays • 3RH21 4-pole coupling relays |
| Contactors in safety applications | Contactors with fail-safe control input for controlling fail-safe controllers or safety relays for applications up to SILCL 3 in accordance with IEC 62061, PL e/Cat. 4 in accordance with EN ISO 13849-1. Special version: Variant with non-removable auxiliary switch. | |
| Contactor assemblies | | |
| Operation of a motor in two directions of rotation (reversing contactor assembly) | Contactor assembly for operation of a three-phase motor in two directions of rotation. <ul style="list-style-type: none"> • 3RA23 reversing contactor assemblies (sizes S00 to S3) fully wired and tested with electrical and mechanical interlock. • Reversing contactor assembly as kit for customer assembly | |
| Starting three-phase motors with reduced starting current peaks (contactor assemblies for star-delta (wye-delta) start) | Contactor assembly for reducing the starting current and starting torque when starting three-phase motors. <ul style="list-style-type: none"> • 3RA24 contactor assemblies for star-delta (wye-delta) start (sizes S00 to S3) fully wired and tested with electrical and mechanical interlock. • Contactor assemblies for star-delta (wye-delta) start as kit for customer assembly | |

6.2 TIA Selection Tool

You can select, configure and order devices for Totally Integrated Automation (TIA) with the TIA Selection Tool.

You will find the TIA Selection Tool on the Internet (<http://www.siemens.com/tst>).

6.3 Operating mechanism system / coil selection 3RT contactors and 3RH2 contactor relays

6.3.1 Operating mechanism system / coil selection 3RT2 contactor

6.3.1.1 Operating mechanism system / coil selection 3RT2 contactors and 3RH2 contactor relays

The 3RT2 power contactors and 3RH2 contactor relays can be supplied with operating mechanisms for all standard AC and DC coil voltages. In addition, 3RT2 power contactors in sizes S0 and S2 are also available with electronic coil control (AC / DC operation) featuring an extended operating range (helping to reduce variance) and lower closing and holding powers that enable lower power consumption in the control cabinet. The solenoid coil for AC / DC operation can be operated with either AC or DC voltage. This is facilitated by control electronics with an upstream DC operating mechanism.

Note**Complex electronic components**

For use in safety-related applications, please note that complex electronic components (microprocessors) are used in the electronically controlled DC operating mechanisms and AC/DC operating mechanisms.

6.3 Operating mechanism system / coil selection 3RT contactors and 3RH2 contactor relays

| | AC operating mechanisms | | | DC operating mechanisms | | | Electronic operating mechanism (DC operating mechanism) | | Electronic operating mechanism (AC operating mechanism) | |
|-----------------------------|---|-------|----------|---|---|---|---|--|---|---|
| Size | S00 ... S3 | | | S00 ... S0 | | S00 | S00 ... S3 | S2, S3 | S0, S2, S3 | |
| Actuation | AC operation | | | DC operation | | | | | AC / DC operation | |
| Type of operating mechanism | 50 Hz | 60 Hz | 50/60 Hz | DC standard operating mechanism | DC operating mechanism with low power input | DC operating mechanisms for railway applications | DC operating mechanisms for railway applications | DC operating mechanism with low power input | AC or DC connection possible | |
| Coil surge suppressor | <ul style="list-style-type: none"> S00 ... S3: Optional S00: Integrated (integrated in the operating mechanism) | | | <ul style="list-style-type: none"> S00 ... S0: Optional S00: Integrated (integrated in the operating mechanism) | | Integrated (integrated in the operating mechanism) | Integrated (varistor, integrated in the operating mechanism) | | Integrated (varistor, integrated in the operating mechanism) | |
| Operating range | 0.8 to 1.1 x U _s ¹⁾ | | | 0.8 to 1.1 x U _s ¹⁾ | | 0.7 ... 1.25 x U _s ¹⁾ | 0.7 ... 1.25 x U _s ¹⁾ | 0.8 ... 1.2 x U _s (for S2 coupling relay and S3 coupling relay) | 0.7 ... 1.3 x U _s (for S0) 0.8 ... 1.1 x U _s (for S2) 0.8 ... 1.1 x U _s (for S3) | |
| Preferred voltages | <ul style="list-style-type: none"> 24 V 110 V 230 V | | | <ul style="list-style-type: none"> 24 V 110 V 220 V | | <ul style="list-style-type: none"> 24 V 110 V | <ul style="list-style-type: none"> 24 V 110 V | S2 / S3 <ul style="list-style-type: none"> 24 V | S0 <ul style="list-style-type: none"> 21 ... 28 V 95 ... 130 V 200 ... 280 V²⁾ | S2 / S3 <ul style="list-style-type: none"> 20 ... 33 V 83 ... 155 V 175 ... 280 V |

¹⁾ For further details, refer to the chapter titled "Technical data".

²⁾ At 280 V: high limit = 1.1 x U_s.

Additional voltage versions are available on request.

6.3.1.2 Solid-state operating mechanism for 3RT203.-.S.30 / 3RT204.-.S.30 contactors with fail-safe control input

Supply voltage

Solid-state operating mechanism for contactors with fail-safe control input 3RT203.-.S.30-... / 3RT204.-.S.30-...for PLC output / fail-safe PLC output (relay or semiconductor) 24 V DC with supply voltage 21 ... 33 V AC or DC, 83 ... 150 V or 175 ... 280 V AC or DC.

Operating range

Operating range: 0.8 ... 1.1 x U_s

Control via control input 24 V DC

The contactor can be controlled directly via an output of a controller (PLC) / fail-safe controller (F-PLC) or of a safety relay.

- Rated voltage 24 V DC, operating range from 16.8 V to 30.0 V
- Current consumption ≤ 15 mA
- Digital control input type 1 (IEC 60947-1, Annex S)

Connecting the supply voltage

The supply voltage for the solenoid operating mechanism must be connected to A1 / A2.

Note**Inrush current peaks**

Please note that switching on the supply voltage may result in excessively high inrush current peaks.

Connecting the 24 V DC control signal

The control signal connection is via the front wiring at the F-PLC-IN 24V + / F-PLC-IN 24V - terminals.

6.3.2 Operating mechanism system / coil selection 3RT1 contactors

Two operating mechanism types are available for the standard versions of 3RT1.5, 3RT1.6 and 3RT1.7 contactors (exception 3RT13):

- Standard operating mechanism with economy circuit (conventional operating mechanism AC or DC control)
- Solid-state operating mechanism (AC or DC control)

Other operating mechanism types are available for special applications in addition to the operating mechanisms for standard contactors (3RT105, 3RT106, 3RT107 and 3RT145, 3RT146, 3RT147):

- Solid-state operating mechanism (AC or DC control) for contactors with remaining lifetime signal RLT
- Solid-state operating mechanism (DC control) for contactors with extended operating range and rail applications
- Solid-state operating mechanism (AC or DC control) for contactors with fail-safe control input

6.3 Operating mechanism system / coil selection 3RT contactors and 3RH2 contactor relays

The following operating mechanism type is available for the standard versions of 3RT135, 3RT136, 3RT137 and 3RT148 contactors:

- Solid-state operating mechanism (AC or DC control)

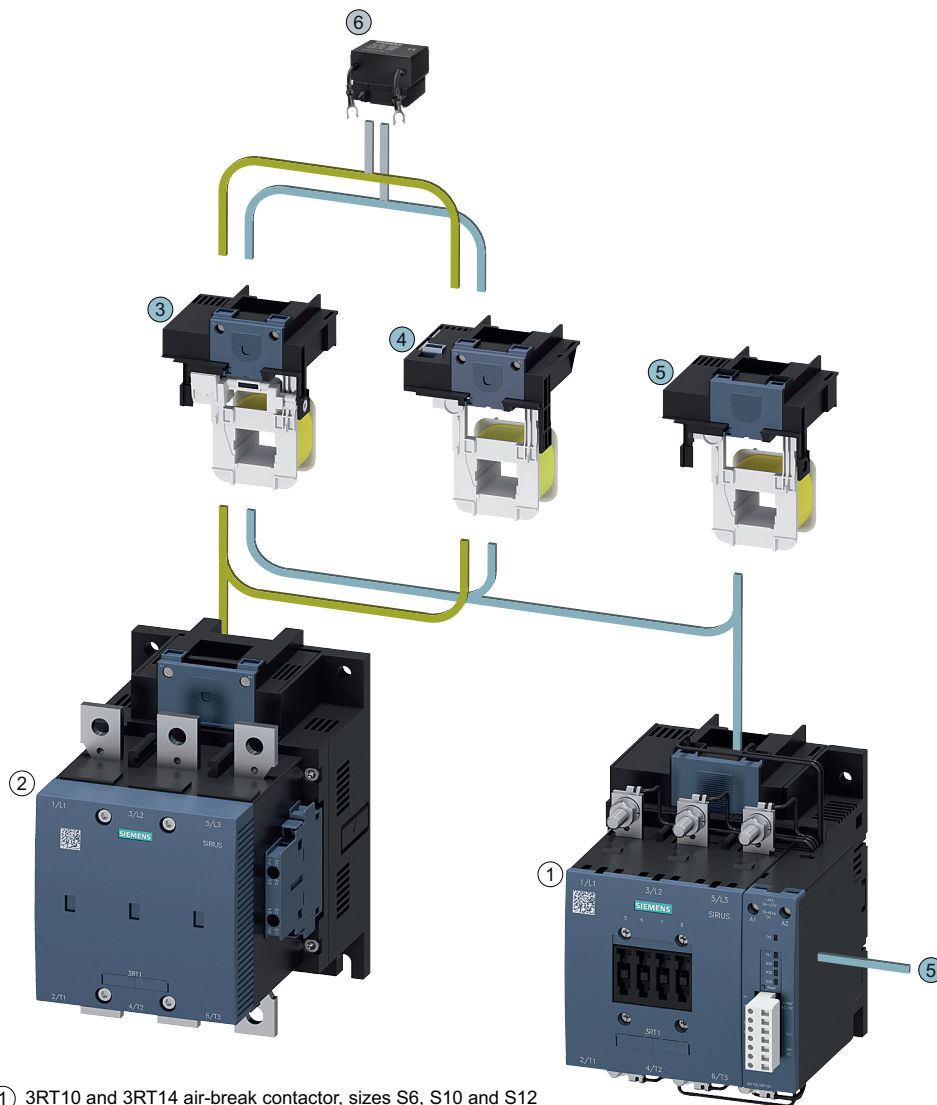
To attenuate the switching overvoltage the contactors have an integral coil circuit with varistor. To the extent that especially fault-prone applications make further attenuation measures necessary, RC elements can be additionally attached to 3RT1.5, 3RT1.6 and 3RT1.7 connectors (exception: 3RT13 and 3RT148).

Note

No additional RC elements can be mounted on the solid-state operating mechanisms for contactors with remaining lifetime signal RLT.

The graphic below shows the withdrawable coils for the 3RT105, 3RT106 / 3RT145, 3RT146 air-break contactors and the 3RT126 and 3RT127 vacuum contactors:

6.3 Operating mechanism system / coil selection 3RT contactors and 3RH2 contactor relays



- ① 3RT10 and 3RT14 air-break contactor, sizes S6, S10 and S12 (3RT1054, size S6 shown here)
- ② 3RT12 vacuum contactor, sizes S10 and S12 (3RT1266, size S10 shown here)
- ③ Withdrawable coils for 3RT1...-A... contactors with conventional operating mechanism (size S10: differentiation between 3RT10/3RT14 air-break contactors and 3RT12 vacuum contactors) (size S12: the same for air-break and vacuum contactors)
- ④ Withdrawable coils for 3RT1...-N... contactors with solid-state operating mechanism. (size S10: differentiation between 3RT10/3RT14 air-break contactors and 3RT12 vacuum contactors) (size S12: the same for air-break and vacuum contactors)
- ⑤ Withdrawable coils and laterally mountable module (plug-on) for 3RT1...-P... air-break contactors with solid-state operating mechanism and remaining lifetime indicator
- ⑥ Surge suppressor (RC element), plug-mountable on withdrawable coils
 - 3RT1...-A... with conventional operating mechanism
 - 3RT1...-N... with solid-state operating mechanism

- Same accessories for sizes S6 to S12
- Different accessories depending on size

6.3.2.1 Standard operating mechanism with economy circuit (conventional operating mechanism) for 3RT1.5 / 3RT1.6 / 3RT1.7 contactors (exception: 3RT13)

The control supply voltage is run direct to the operating mechanism via terminals A1/A2, and the contactor is switched on and off. After switching on, the solenoid operating mechanism is switched from pick-up excitation to holder excitation (DC economy circuit) by an in-built change-over contact.

Control supply voltage


The contactors are equipped with wide-range operating mechanisms and can thus cover a wide range of control supply voltages, for example rated operating range ($U_{s_{min}} - U_{s_{max}}$) of 110 V ... 127 V or 220 V ... 240 V. In addition, both voltage types, AC as well as DC, are covered by the same operating mechanism.

Operating range

The operating range is $0.8 \times U_{s_{min}} - 1.1 \times U_{s_{max}}$, for the example, this means: $0.8 \times 220 \text{ V} - 1.1 \times 240 \text{ V}$.

6.3.2.2 Solid-state operating mechanism for 3RT1.5 / 3RT1.6 / 3RT1.7 contactors (exception: 3RT13)

The solenoid coil is controlled by internal upstream control electronics. With the solid-state operating mechanism, two different operating modes are possible. Version 1 is the classic supply and control of the contactor via the control supply voltage applied to A1/A2. In the case of version 2, only a supply voltage for the solenoid operating mechanism is applied at A1/A2. The control can be applied to the additional terminals +/- as a 24 V DC signal. This operating mode is suitable for controlling via higher-level semiconductor outputs (e.g. PLC).

| |
|---|
|  WARNING |
| Loss of the safety function with wiring of the control inputs. |
| Can cause death or serious injury. |
| For safety-related tripping, control via the control input PLC-IN is not permissible. |
| For safety-related applications, the contactor must be switched off via A1 / A2 or a contactor with fail-safe control input must be used. |

The contactors are equipped with wide-range operating mechanisms and can thus cover an even wider range of control supply voltages, for example rated operating ranges ($U_{s_{min}} - U_{s_{max}}$) of 96 V ... 127 V or 200 V ... 277 V. Both voltage types, AC as well as DC, are covered by the same operating mechanism.

Operating range

The operating range is $0.8 \times U_{s_{min}} - 1.1 \times U_{s_{max}}$, for the example, this means: $0.8 \times 200 \text{ V} - 1.1 \times 277 \text{ V}$.

Defined ON and OFF thresholds:

The control electronics monitor the applied control supply voltage for permissible lower limits within which the contactors reliably switch.

- Switching on with control supply voltage $0.8 \times U_{s \text{ min}}$
- Switching off with control supply voltage $\leq 0.5 \times U_{s \text{ min}}$

The hysteresis in the switching thresholds prevents the main contacts from chattering and thus prevents increased wear or welding when operated in weak, unstable networks.

The ON threshold prevents thermal overload of the coil if an excessively low control supply voltage is applied.

Bridging temporary voltage dips

Control voltage failures dipping to 0 V (at A1/A2) are bridged for up to approx. 25 ms to avoid unintentional tripping.

Note**Configuration note**

When in operation in or around converter circuits, it must be noted that the control wiring to the contactor should be installed separately from the load side wiring of the converter.

Versions

The solid-state operating mechanism is available in 4 versions:

| Version | | For degree of protection |
|-----------|--|--|
| 3RT1...-N | For 24 V DC PLC output | 3RT10 / 14 air-break contactors, 3RT12 vacuum contactors |
| 3RT1...-P | For 24 V DC PLC output or PLC relay output; with remaining lifetime signal RLT | 3RT10 / 14 air-break contactors |
| 3RT1...-S | for fail-safe PLC output (relay or semiconductor) 24 V DC | 3RT10 / 14 air-break contactors |
| 3RT1...-X | for PLC output 24 ... 110 V DC | 3RT10 / 14 air-break contactors |

Control

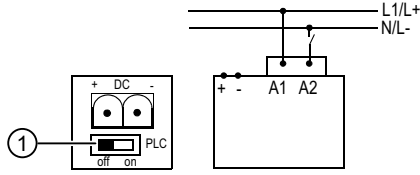
Version of 3RT1...-N solid-state operating mechanism for PLC output 24 V DC

There are 2 ways of controlling the contactors:

- Variant 1: via A1 / A2
- Variant 2: via 24 V DC PLC output

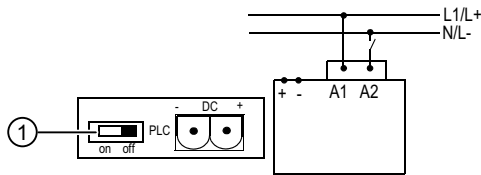
Control via A1 / A2

The contactors are controlled conventionally by applying the control supply voltage at A1/A2 through a switching contact.



① Slide switch "OFF"

Figure 6-1 3RT1.5.-.N...-....



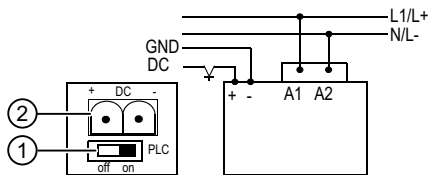
① Slide switch "OFF"

Figure 6-2 3RT1.6.-.N...-.... / 3RT1.7.-.N...-....

Note

The slide switch on the front side of the withdrawable coil must be in the "OFF" position (corresponds to the factory default setting). The contactor can otherwise not be operated via A1 / A2.

Control via control input 24 V DC

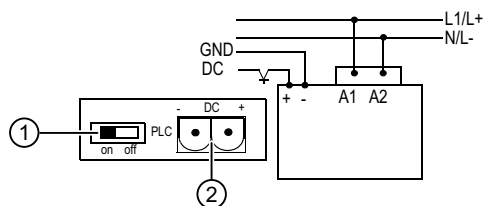


① Slide switch "ON"

② PLC input 2-pin connector

Figure 6-3 3RT1.5.-.N...-....

6.3 Operating mechanism system / coil selection 3RT contactors and 3RH2 contactor relays



- ① Slide switch "ON"
- ② PLC input 2-pin connector

Figure 6-4 3RT1.6.-.N...-.... / 3RT1.7.-.N...-....

The contactor can be operated direct via an output of a controller (PLC).

- Rated voltage 24 V DC, operating range 17 to 30 V
- Current consumption ≤ 30 mA

Connecting the supply voltage

The supply voltage for the solenoid operating mechanism must be connected to A1/A2.

Note

The slide switch on the front side of the withdrawable coil must be switched to the "ON" position before commissioning (factory default setting is "OFF").

Connecting the 24 V DC control signal

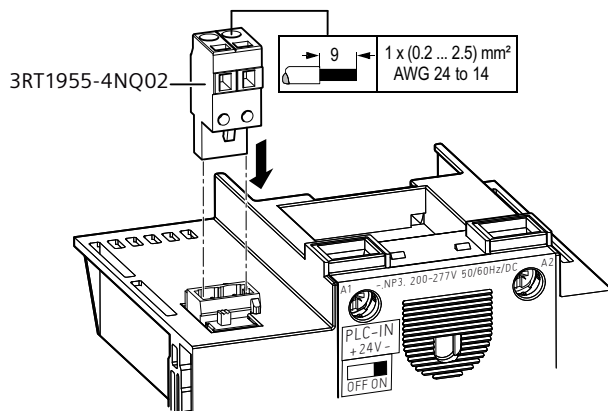


Figure 6-5 3RT1.5.-.N...-....

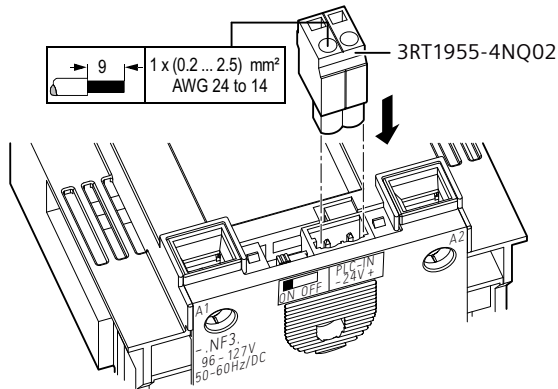


Figure 6-6 3RT1.6-.N...-.... / 3RT1.7-.N...-....

The control signal is connected via a 2-pole plug-in connection on the front side of the withdrawable coil (the spring-loaded connector is included in the scope of supply). The connector is labeled with the polarity.

6.3.2.3 Solid-state operating mechanism for 3RT1.5 / 3RT1.6 / 3RT1.7 contactors with RLT remaining lifetime signal (exception: 3RT12 / 3RT13)

Remaining lifetime signal (RLT)

For the 3RT10 and 3RT14 air-break contactors, there are electronically controlled solenoid operating mechanisms alternatively referred to as the "remaining lifetime signal RLT" feature. The RLT function detects main contact erosion and provides visual and electrical indication of a pending contact change by the plant operator.






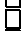

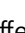







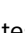




Function

Main contactor contacts are working parts and must be replaced in good time when the end of their service life has been reached. The degree of contact erosion and thus the electrical endurance (= number of operating cycles) depends on the loading, utilization category, operating mode, etc. Routine checks / visual inspections by maintenance personnel are needed in order to monitor the state of the main contacts. The "remaining lifetime signal" device takes over this task. It does not count the number of operating cycles (this does not provide information about contact erosion) but instead electronically identifies, evaluates and stores the actual progress of erosion of each one of the 3 main contacts, and outputs a warning when specified limits are reached. The stored data are not lost if the control voltage fails.

After replacement of the main contacts, measurement of the remaining lifetime must be reset using the "RESET" button, and then begins anew.

Alarm signals

Signaling takes place via a floating relay contact when a remaining lifetime of 20 % is reached, in other words, when the contact material is 80 % worn and replacement of the main contacts must be arranged.

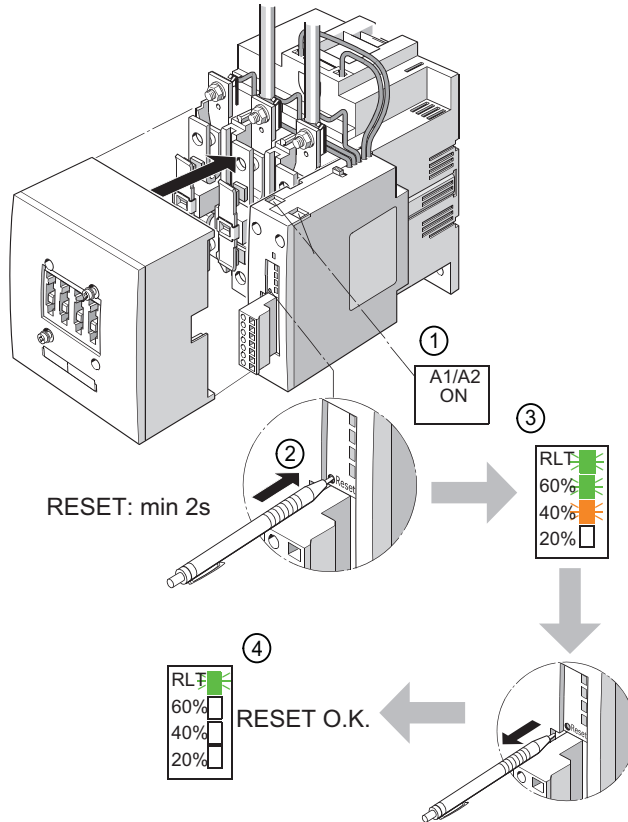
| | | | |
|--|--|--|--|
|  |  |  |  |
| RLT  60%  40%  20%  | RLT  60%  40%  20%  | RLT  60%  40%  20%  | RLT  60%  40%  20%  |

The different contact erosion states are also indicated visually on the laterally mounted electronic module of the contactor via LEDs:

- 60 % with remaining lifetime (green LED)
- 40 % (orange)
- 20 % (red)

Resetting the remaining lifetime signal (RLT)

After changing a contact, you must note the following for resetting the remaining lifetime signal:



- ① The control supply voltage must be applied at A1 / A2 and the contactor must be switched off
- ② Hold down the RESET button on the laterally mounted electronic module with a ball-point pen or similar object, for approx. 2 s
- ③ Hold the RESET button until only the green "RLT" LED shows a light after the LED indicators have been run through
- ④ Reset completed

Use in rotor circuits of slip-ring motors

Note

Notes on the use of contactors with remaining lifetime signal (RLT)

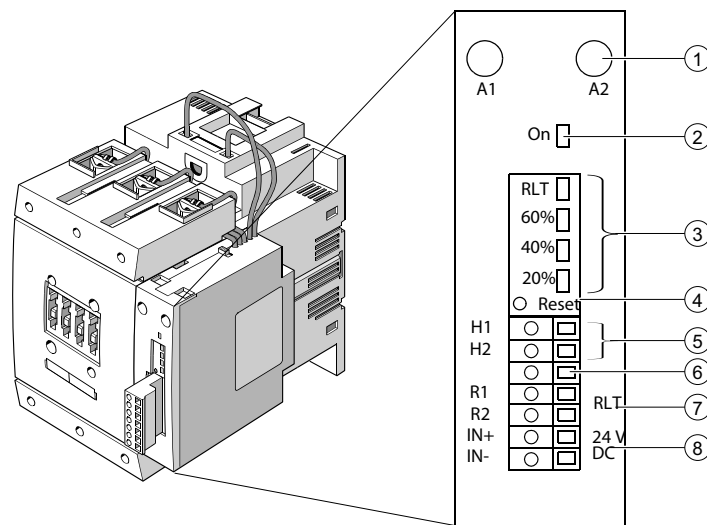
For detecting contact erosion, a typical measuring parameter of the RLT function is the voltage over the main contacts of the contactor when switching off the contactor. However, depending on slip, voltage values arise in the rotor circuits that are not suitable for evaluation and that result in premature signaling of RLT.

Residual current via the main contacts

The resistance of the individual measuring circuits via the main contacts is 4.8 Mohms per current path. This high-resistance value excludes dangerous body currents or touch voltages on the load side when the contactor is switched off.

Functional switching via A1/A2

Functional switching via A1/A2 results in signaling of RLT. The control inputs (PLC) must be used for this. The system circuits are an exception here; the measured values remain saved (E²PROM). The control inputs via PLC must be used for functional switching.



- ① Terminals A1/A2 for supply voltage
 - ② LED displays: Contactor ON
 - ③ LED displays: RLT display
 - 60 % (green)
 - 40 % (orange)
 - 20 % (red)
 - ④ Reset button for RLT
- Connector for inputs/outputs (7--pin)
- ⑤ PLC relay input H1/H2
 - ⑥ Not used
 - ⑦ RLT relay output R1/R2
 - ⑧ PLC input 24 V DC, IN+/IN-

On the versions with remaining lifetime signal RLT, the entire electronic part is accommodated in the laterally mounted electronic module. The withdrawable part contains only the solenoid coil. It is connected via the cables run out of the laterally mounted electronic module using flat connectors to avoid confusion with other coils when changing coils. The cables connected on the input and output sides of the main current paths are for detecting the remaining lifetime signal RLT.

"Remaining lifetime RLT" signal

Upon reaching a remaining lifetime of 20 %, the "remaining lifetime RLT" signal is available at terminals R1/R2 via a floating relay contact (NO contact, hard gold-plated, enclosed) and can be input to SIMOCODE, PLC or other devices for processing, for example. Permissible current-carrying capacity of the R1/R2 relay output:

I_e /AC-15 at 24 ... 230 V: 3 A

I_e /DC-13 at 24 V: 1 A

Control

The contactors can be controlled as follows:

- via a 24 V DC control signal
- via relay outputs, e.g. of PLC, SIMOCODE.

Power supply

To supply the solenoid operating mechanism and the remaining lifetime signal with power, the control supply voltage U_s must be connected to terminals A1/A2 of the laterally mounted electronic module.

Control inputs

The control inputs of the contactor are connected to a 7-pole plug-in connection (the spring-loaded connector is part of the scope of supply).

Changeover from automatic to local control

Automatic control can be changed over to local control via inputs H1/H2. During commissioning or in the event of a fault, for example, automatic control via PLC or SIMOCODE can be deactivated and the contactor can be controlled manually.

Control with 24 V DC

Operation without coupling link, e.g. direct from PLC with 24 V DC

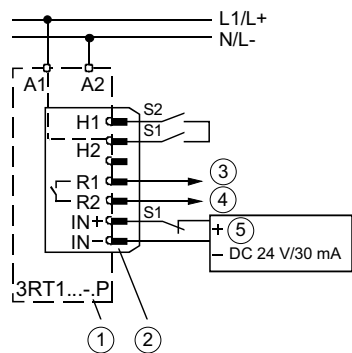
via control input IN+/IN-

- Current consumption ≤ 30 mA
- Operating range 17 to 30 V DC

Note

H2 and A1 are internally connected and are therefore on the same voltage potential.

6.3 Operating mechanism system / coil selection 3RT contactors and 3RH2 contactor relays



- ① Electronic module for 3RT1...-P contactor
- ② Plug-in connection, 7-pin
- ③ / ④ Remaining lifetime signal 20 %
- ⑤ PLC output
- S1 Changeover switch from automatic control via PLC semiconductor output to local control
- S2 Local control option

Control via relay outputs

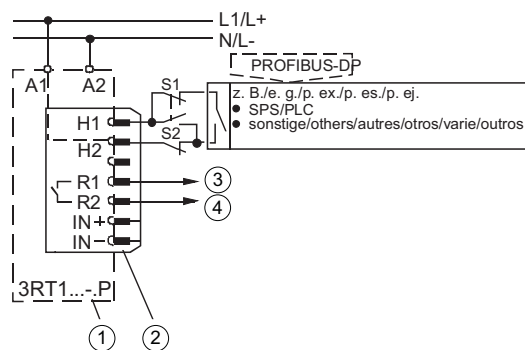
Control via relay outputs, e.g. of:

- PLC
- SIMOCODE

The contactor can be controlled using relay outputs via the terminals H1/H2. The relay contacts are loaded with approx. 5 mA and the control supply voltage applied to A1/A2.

Note

H2 and A1 are internally connected and are therefore on the same voltage potential.



- ① Electronic module for 3RT1...-P contactor
- ② Plug-in connection, 7-pin
- ③ / ④ Remaining lifetime signal 20 %
- S1 Changeover switch from automatic control, e.g. via SIMOCODE or PLC relay output, to local control
- S2 Local control option

Notes on the protection of device connections of all contactor types with remaining lifetime signal RLT

| | | |
|---------|------------------|--|
| H1/H2 | PLC relay input | By protecting the device connections A1/A2 for the supply voltage of the contactor types 3RT1...-P..., the device connections H1/H2 (PLC relay input) do not have to be protected separately. |
| R1/R2 | RLT relay output | For the device connections R1/R2 (RLT relay output) of the contactor types 3RT1...-P..., the specifications for protection against short-circuits are available. You can find technical specifications of the product in the Siemens Industry Online Support (https://support.industry.siemens.com/cs/ww/en/ps/16132/td). |
| IN+/IN- | PLC input | Protect the digital control input (for 3RT1...-P...: IN+/IN-) according to its type according to IEC60947-1 Annex S with its typical rated current. You can find technical specifications of the product in the Siemens Industry Online Support (https://support.industry.siemens.com/cs/ww/en/ps/16132/td). |

6.3.2.4 Solid-state operating mechanism for 3RT1.5 / 3RT1.6 / 3RT1.7 contactors with extended operating range and rail applications (exception: 3RT12 / 3RT13)

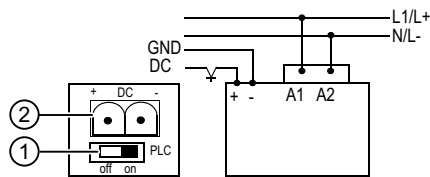
Supply voltage

Solid-state operating mechanism for contactors with extended operating range and rail application 3RT1...-X...-OLA2 for PLC output
24 ... 110 V DC with supply voltages 24 V DC, 72 V DC and 110 V DC.

Operating range

Operating range 0.7 ... 1.25 x U_s

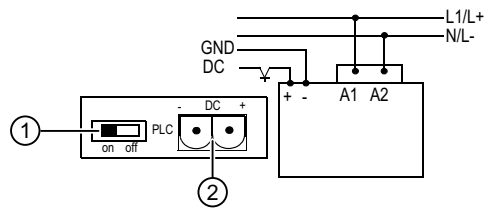
Control via control input 24 ... 110 V DC



- ① Slide switch "ON"
- ② PLC input 2-pin connector

Figure 6-7 3RT1.5-.-X...-....

6.3 Operating mechanism system / coil selection 3RT contactors and 3RH2 contactor relays



- ① Slide switch "ON"
- ② PLC input 2-pin connector

Figure 6-8 3RT1.6.-X...-... / 3RT1.7.-X...-...

The contactor can be operated direct via an output of a controller (PLC).

- Rated voltage 24 ... 110 V DC, operating range from 16.8 V (0.7 • 24 V) to 137.5 V (1.25 • 110 V),
ON > 16.8 V / OFF < 8 V / 8 V to 16.8 V unspecified
- Current consumption < 2 mA

Connecting the supply voltage

The supply voltage for the solenoid operating mechanism must be connected to A1/A2.

Note

The slide switch on the front side of the withdrawable coil must be switched to the "ON" position before commissioning (factory default setting is "OFF").

Connecting the 24 ... 110 V DC control signal

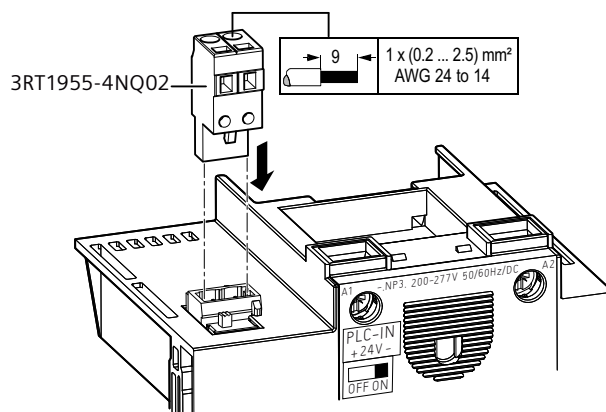


Figure 6-9 3RT1.5.-X...-...

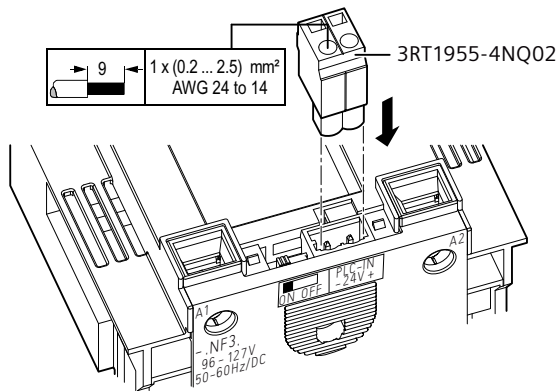


Figure 6-10 3RT1.6.-.X...-..... / 3RT1.7.-.X...-.....

The control signal is connected via a 2-pin plug-in connection on the front side of the withdrawable coil (the spring-loaded connector is included in the scope of supply). The connector is labeled with the polarity.

6.3.2.5 Solid-state operating mechanism for 3RT1.5 / 3RT1.6 / 3RT1.7 contactors with fail-safe control input (exception: 3RT12 / 3RT13)

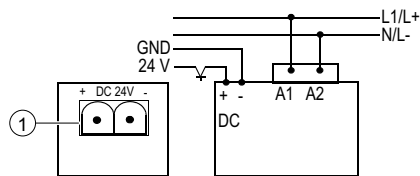
Supply voltage

Solid-state operating mechanism for contactors with fail-safe control input 3RT1...-S.. for fail-safe PLC output (relay or semiconductor) 24 V DC with supply voltage 96 ... 127 V or 200 ... 277 V AC or DC.

Operating range

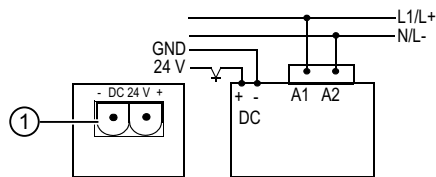
Operating range 0.8 ... 1.1 x U_s

Control via control input 24 V DC



① PLC input 2-pin connector

Figure 6-11 3RT1.5.-.S...-.....



① PLC input 2-pin connector

Figure 6-12 3RT1.6.-.S...-..... / 3RT1.7.-.S...-.....

6.3 Operating mechanism system / coil selection 3RT contactors and 3RH2 contactor relays

The contactor can be controlled directly via an output of a fail-safe controller (F-PLC) or of a safety relay.

- Rated voltage 24 V DC, operating range from 16.8 V to 30.0 V
- Current consumption ≤ 15 mA
- Digital control input type 1 (IEC 60947-1, Annex S)

Connecting the supply voltage

The supply voltage for the solenoid operating mechanism must be connected to A1/A2.

Connecting the 24 V DC control signal

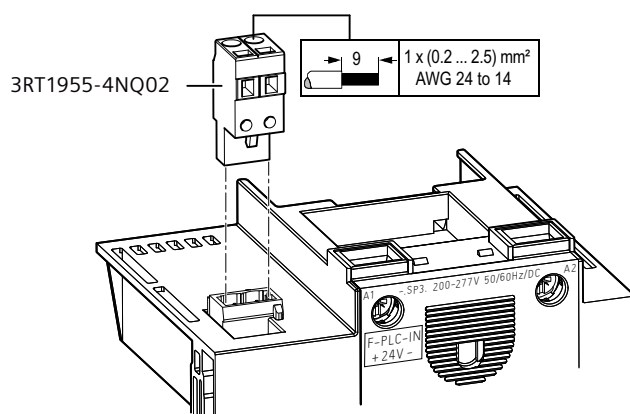


Figure 6-13 3RT1.5.-.S...-....

The control signal is connected via a 2-pin plug-in connection on the front side of the withdrawable coil (the spring-loaded connector is included in the scope of supply). The connector is labeled with the polarity.

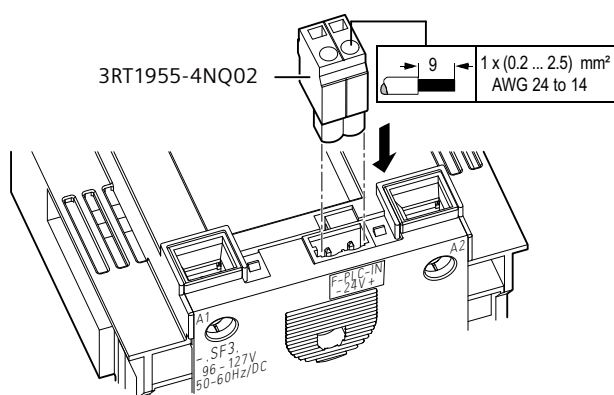


Figure 6-14 3RT1.6.-.S...-.... / 3RT1.7.-.S...-....

6.3.2.6 Solid-state operating mechanism for 3RT13 contactors

The solenoid coil is controlled by internal upstream control electronics. As a result of this, overvoltage damping of the solenoid coil is integrated.

Control supply voltage

The contactors are equipped with wide-range operating mechanisms and thus cover a wide range of control supply voltages:

| 3RT13...-[].. | AC operation (50/60 Hz) [V] | DC operation [V] |
|----------------|-----------------------------|------------------|
| E | 24 ... 60 | 20 ... 60 |
| F | 48 ... 130 | 48 ... 130 |
| P | 100 ... 250 | 100 ... 250 |
| R | 250 ... 500 | 250 ... 500 |

Operating range

The operating range of the solenoid operating mechanism for AC operation is $0.85 \times U_{s \min} - 1.1 \times U_{s \max}$ and for DC operation $0.8 \times U_{s \min} - 1.1 \times U_{s \max}$.

6.3.2.7 Solid-state operating mechanism for 3RT148 contactors

The solenoid coil is controlled by internal upstream control electronics. As a result of this, overvoltage damping of the solenoid coil is integrated.

Control supply voltage

The contactors are equipped with wide-range operating mechanisms and thus cover a wide range of control supply voltages:

| Contactors | AC operation (50/60 Hz) [V] | DC operation [V] |
|---------------|-----------------------------|------------------|
| 3RT1481-6AF36 | 100 ... 127 | 100 ... 110 |
| 3RT1481-6AP36 | 200 ... 240 | 200 ... 220 |
| 3RT1482-6AF36 | 100 ... 127 | 100 ... 110 |
| 3RT1482-6AP36 | 200 ... 240 | 200 ... 220 |
| 3RT1483-6AP36 | 100 ... 240 | 100 ... 220 |
| 3RT1485-6AP36 | 100 ... 240 | 100 ... 220 |
| 3RT1486-6AP36 | 100 ... 240 | 100 ... 220 |
| 3RT1487-6AP36 | 100 ... 240 | 100 ... 220 |

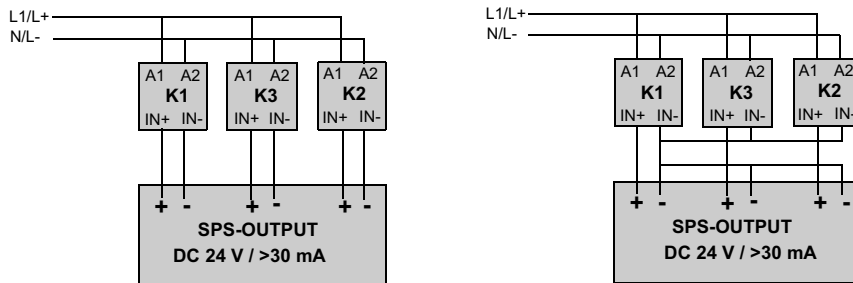
6.3.2.8 Typical circuit diagrams

The following typical circuit diagrams apply to the 3RT1 standard contactors.

Note

You will find application examples of contactors with fail-safe control input in the chapter entitled "Contactors in safety applications (Page 121)".

Contactor assembly with 24 V DC PLC control

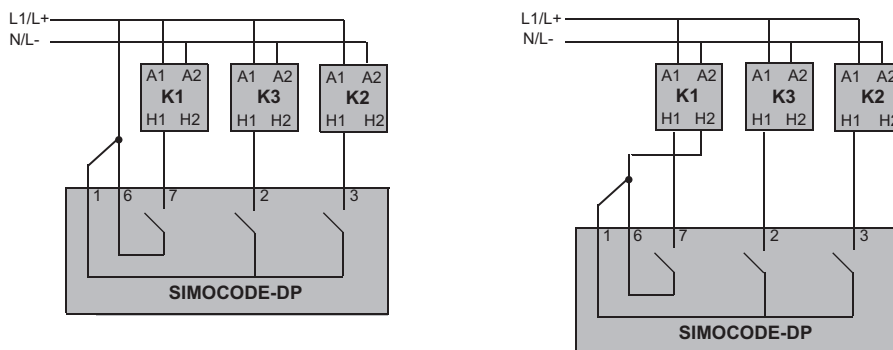


Contactor assembly with relay control

Note

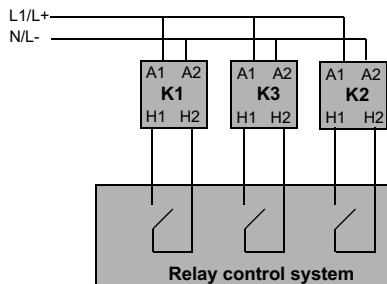
- The H1 terminals must not be bridged since otherwise all contactors will switch on when only one contactor is to be controlled.
- The H2 terminals should not be bridged since otherwise the internal connection from A1 to H2 will be overloaded in the event of a fault.

Control via relay outputs with common potential



Local control via SIMOCODE

Control via galvanically isolated / floating relay outputs



6.4 Application environment

6.4.1 3RH2 contactor relays

The following information must be taken into account when planning applications involving 3RH2 contactor relays.

Resistance to extreme climates

3RH2 contactor relays are suitable for use in any climate.

Shock load and vibratory load

The 3RH2 contactor relays have been tested in terms of their shock resistance to sine pulses and rectangular pulses for AC and DC operation.

Ambient temperature

The 3RH2 contactor relays are dimensioned for operation at ambient temperatures of between -25 °C and +60 °C. The devices can be stored at temperatures within the range from -55 °C to +80 °C.

6.4.2 3RT power contactors

The following information must be taken into account when planning applications involving 3RT power contactors.

Resistance to extreme climates

3RT power contactors are suitable for use in any climate.

Shock load and vibratory load

The 3RT contactors have been tested in terms of their shock resistance to sine pulses and rectangular pulses for AC and DC operation.

Ambient temperature

The 3RT2 contactors are dimensioned as standard for operation at ambient temperatures of between -25 °C and +60 °C. Up to 60 °C, side-by-side mounting can be used without any restriction. The devices can be stored at temperatures within the range from -55 °C to +80 °C.

The 3RT1 contactors are designed for use in ambient temperatures from -25 °C to +60 °C (exception 3RT148: -25 °C to +55 °C) . Special versions can be used from -35 °C to +70 °C.

Extended ambient temperature

Contactors can be used at higher ambient temperatures, but various constraints must be considered. The 3RT20 contactors can be operated continuously at an ambient temperature of $T_a > 60\text{ °C}$, taking the following points into account:

Thermal load capacity of the main current paths

The standard contactors are dimensioned for a maximum ambient temperature of $T_a = 60\text{ °C}$. In order to use the contactors at higher ambient temperatures of up to 70 °C , the rated operational current $I_e/AC-1$ or $I_e/DC-1$ and the switching frequency z must be reduced. The following linear dependencies can be applied here:

$$I_{e\text{ max.,Tu}} = I_e/AC - 1 \cdot \frac{60\text{ °C}}{T_u} \quad I_{e\text{ max.,Tu}} = I_e/DC - 1 \cdot \frac{60\text{ °C}}{T_u}$$

$$z_{\text{max.,Tu}} = z \cdot \frac{60\text{ °C}}{T_u}$$

| | |
|----------------------------|--|
| $I_e\text{ max., } T_a =$ | Rated operational current of the contactor at increased ambient temperature, to be calculated |
| $I_e/AC-1$ or $I_e/DC-1 =$ | Rated operational current of the contactor for respective utilization category and $T_a \leq 60\text{ °C}$ |
| $T_a =$ | Actual ambient temperature $T_a > 60\text{ °C}$ |

The contactors may be operated for 1 hour at an ambient temperature of up to $T_a \leq 80\text{ °C}$ without reducing the permissible currents. Nevertheless, the average ambient temperature must not exceed $T_a \leq 60\text{ °C}$ for any 24 hour period. Note, however, that contactors that contain electronic components or are combined with electronic accessories (e.g. integrated overvoltage attenuation, etc.) may only be operated at an ambient temperature of up to $T_a \leq 60\text{ °C}$.

Minimum clearances from adjacent components

The 3RT2 contactors are dimensioned for side-by-side mounting at temperatures of up to $+60\text{ °C}$. At higher temperatures a clearance of 10 mm may be required in order to ensure better heat dissipation with side-by-side mounting. With capacitor contactors, a lateral clearance of 10 mm is required for side-by-side mounting.

Operating range of the solenoid coils

All SIRIUS contactors fulfil the operating ranges of $0.85 \dots 1.1 \times U_s$ (rated control supply voltage) demanded by the IEC 60947 standard. The majority of the devices feature an operating range from $0.8 \dots 1.1 \times U_s$; on some versions it is $0.7 \dots 1.3 \times U_s$.

Some versions of the contactors for railway applications have an operating range from $0.7 \dots 1.25 \times U_s$ at an ambient temperature of $+70\text{ °C}$.

The electronics remain functional at ambient temperatures between -40 °C and $+70\text{ °C}$. This cannot be extended, even with reduced duty factor or lower current.

The reason for this is that some components are approved only to -40 °C , and below this they can be destroyed.

At the other extreme, with a switching transistor at the maximum permissible voltage (36.4 V or 169 V or 305 V), the temperature is already just under the destruction limit. A further increase in the ambient temperature can cause irreparable damage to the component (in the case of a transistor: short-circuit).

Using the S00, S0, S2 and S3 contactors at low ambient temperatures

The S00 to S3 contactors can be used at a minimum ambient temperature of $T_a = -50\text{ °C}$, but the mechanical durability will be reduced by up to 50 %. The other catalog data remains unaffected. In such instances a high switching frequency and long duty cycle are preferable to a low switching frequency and short duty cycle. Contactors which contain electronics or which are combined with electronic accessories must not be used at temperatures below $T_a = -40\text{ °C}$.

Service life

Using the contactors at higher ambient temperatures places a greater stress on molded parts, main current paths, and the solenoid coil. This reduces the mechanical durability and shortens the service life of the contactors. The service life is primarily influenced by the ON period. The table below shows the reduced mechanical durability and shortened service life values:

Table 6-1 Durability and service life of 3RT20 contactors

| Ambient temperature T_a | Mechanical endurance [x10 ⁶ operating cycles] | | Service life [years] |
|---------------------------|---|-----------|-------------------------|
| | S00 | S0 ... S3 | S00 ... S3 |
| $\leq 60\text{ °C}$ | 30 | 10 | 20 |
| 65 °C | 15 | 5 | 15 |
| 70 °C | 3 | 1 | 10 |

The specifications for the service life apply to an ON period of 100 %.

6.4.3 Contactors with extended operating range and railway approval according to IEC 60077-2

The following information must be taken into account when planning applications involving contactors for rail applications (versions of the 3RT2 power contactors, 3RH2 contactor relays, and 3RT1 power contactors in sizes S6 to S12). All other data corresponds to that of the standard 3RT1 / 3RT2 contactors and 3RH2 contactor relays.

Ambient temperature

When operating contactors for railway applications (versions of the 3RT20 power contactors, 3RH21 contactor relays and 3RT10 power contactors) at the full operating range of the contactor operating mechanisms, the permissible ambient temperature is between -40 °C and $+70\text{ °C}$.

Note

Continuous operation at temperatures $> +60\text{ °C}$ reduces the mechanical durability, the current carrying capacity of the current paths, and the switching frequency.

Solenoid coil operating range

An important railway requirement as regards SIRIUS contactors is the extended operating range of the solenoid coil ($0.7 \dots 1.25 \times U_s$). This must be taken into account when selecting devices for railway applications.

6.4.4 Installation altitude

For plants at higher altitudes, the reduced insulation strength and the reduced cooling effect of the air must be taken into consideration.

The restrictions in the following table apply for the use of the 3RT105, 3RT106, 3RT107, 3RT145, 3RT146, 3RT147, 3RT148, 3RT2, 3RH2 contactors at installation altitudes higher than 2000 m above sea level.

These specifications relate to a maximum ambient temperature of 40 °C.

Note

A maximum installation altitude of 4000 m above sea level is permissible for the use of the 3RT148 contactor.

| Derating factors | Installation altitude up to | | | | |
|---|-----------------------------|------------------------|------------------------|------------------------|------------------------|
| | 2500 m above sea level | 3000 m above sea level | 3500 m above sea level | 4000 m above sea level | 5000 m above sea level |
| Rated operational current I_e | 0.93 | 0.88 | 0.83 | 0.78 | 0.68 |
| Permissible switching frequency | 1 | 1 | 0.5 | 0.5 | 0.5 |
| Rated insulation voltage U_i | 0.93 | 0.88 | 0.83 | 0.78 | 0.68 |
| Rated impulse withstand voltage U_{imp} | 0.93 | 0.88 | 0.83 | 0.78 | 0.68 |

Note

Exceptions

The specifications in the table do not apply to the following contactor versions:

- Contactors with fail-safe control input 3RT1...-S..
- Contactors with fail-safe control input 3RT203.-.S.30-.... and 3RT204.-.S.30-....
- 3RT12...-N / 3RT12...-P vacuum contactors (with solid-state operating mechanisms)

The devices are not rated for use beyond 2000 m above sea level.

6.5 Switching motorized loads

For 3RT12...-A vacuum contactors (with standard operating mechanism), the following additional restrictions of the operating range of the contactor operating mechanism apply, depending on the ambient temperature:

| Derating factors | Installation altitude up to | | | | | | | | | |
|-----------------------------------|------------------------------|-------------------|------------------------|-------------------|------------------------|-------------------|------------------------|-------------------|------------------------|-------------------|
| | 2500 m above sea level | | 3000 m above sea level | | 3500 m above sea level | | 4000 m above sea level | | 5000 m above sea level | |
| | Rated control supply voltage | | | | | | | | | |
| | U _{Smin} | U _{Smax} | U _{Smin} | U _{Smax} | U _{Smin} | U _{Smax} | U _{Smin} | U _{Smax} | U _{Smin} | U _{Smax} |
| Ambient temperature: up to +20 °C | 0.80 | 1.10 | 0.8 | 1.09 | 0.8 | 1.03 | 0.87 | 0.95 | -- | -- |
| Ambient temperature: up to +40 °C | 0.80 | 1.08 | 0.84 | 1.02 | 0.89 | 0.96 | -- | -- | -- | -- |
| Ambient temperature: up to +60 °C | 0.86 | 1.02 | 0.91 | 0.97 | -- | -- | -- | -- | -- | -- |

6.5 Switching motorized loads

Applications

The 3RT10 / 3RT20 3-pole motor contactors or the 3RT233...-4AA0 / 3RT234...-4AA0 4-pole motor contactors can be used for switching three-phase motors.

The main contacts of the 3RT10 / 3RT20 / 3RT233...-4AA0 / 3RT234...-4AA0 contactors switch in air under atmospheric conditions.

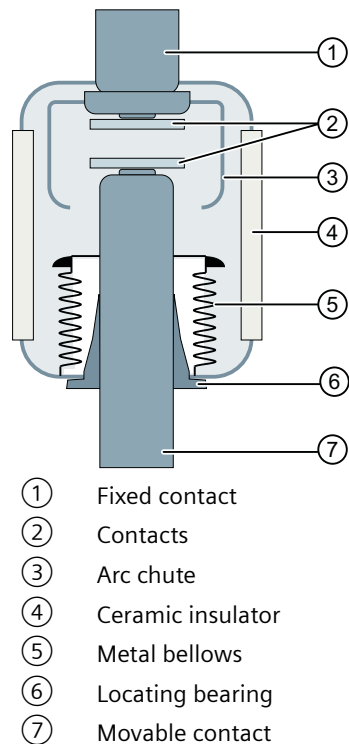
In contrast to the 3RT10 contactors, the contact gaps of the 3RT12 vacuum contactors are contained in hermetically enclosed vacuum interrupters.

No open arc or arcing gases arise. The particular benefit of 3RT12 vacuum contactors is that their electrical endurance is at least twice as long as that of 3RT10 contactors. The 3RT12 vacuum contactors are therefore especially well suited to frequent switching (utilization category AC-3, AC-4) in inching / mixed operation, e.g. in crane control systems.

Note

3RT12 vacuum contactors are fundamentally unsuitable for switching DC voltage.

The following graphic shows the cross-section of a vacuum interrupter.



Communication-capable connection to the controller

3RA28 or 3RA27 function modules can be mounted on the front of 3RT20 power contactors to provide additional functionalities (e.g. star-delta (wye-delta) functionality) and enable a connection to be established with a controller via IO-Link or AS-Interface. If 3RA27 function modules are used, special versions of the 3RT2 power contactors (3RT2...-...-0CC0 at the 13th and 16th digits of the article number) that facilitate direct voltage tapping of the main current paths must be used. These contactors with voltage tapping are available with a 24 V DC solenoid coil. The coil is controlled via the function module.

Versions

The performance range of 3 to 55 kW / 400 V (utilization category AC-3) is covered by the 3RT2 contactors (sizes S00 to S3) with a width of 45 mm to 70 mm. In size S0, the installation depth for contactors with DC and AC/DC solenoid systems is 10 mm larger than for versions with an AC solenoid system.

The performance range of 55 to 250 kW / 400 V (utilization category AC-3) is covered by the 3RT1 contactors (sizes S6 to S12) with a width of 120 mm to 160 mm.

Rated powers

A single size covers several versions with different standard motor ratings. The specified power (in kW) refers to the output power on the motor shaft (in accordance with the motor's nameplate).

6.5 Switching motorized loads

The maximum power value of the 3RT233.-.....-4AA0 4-pole power contactors is 22 kW at a voltage of 400 V. The maximum power value of the 3RT234.-.....-4AA0 4-pole power contactors is 45 kW at a voltage of 400 V.

Select the contactor according to the motor current specified on the rating plate of the motor and the rated operational current I_e of the contactor.

All specified rated powers and rated currents refer to an ambient temperature of 60 °C.

3RT20 power contactors

| Article number (size S00) | P (AC-3 / AC-3e, 400 V) [kW] | I_e (AC-3 / AC-3e, 400 V) [A] | Width [mm] |
|------------------------------|---------------------------------|------------------------------------|------------|
| 3RT2015 | 3 | 7 | 45 |
| 3RT2016 | 4 | 9 | |
| 3RT2017 | 5.5 | 12 | |
| 3RT2018 | 7.5 | 16 | |

| Article number (size S0) | P (AC-3 / AC-3e, 400 V) [kW] | I_e (AC-3 / AC-3e, 400 V) [A] | Width [mm] |
|-----------------------------|---------------------------------|------------------------------------|------------|
| 3RT2023 | 4 | 9 | 45 |
| 3RT2024 | 5.5 | 12 | |
| 3RT2025 | 7.5 | 17 | |
| 3RT2026 | 11 | 25 | |
| 3RT2027 | 15 | 32 | |
| 3RT2028 | 18.5 | 38 | |

| Article number (size S2) | P (AC-3 / AC-3e, 400 V) [kW] | I_e (AC-3 / AC-3e, 400 V) [A] | Width [mm] |
|-----------------------------|---------------------------------|------------------------------------|------------|
| 3RT2035 | 18.5 | 41 | 55 |
| 3RT2036 | 22 | 50 | |
| 3RT2037 | 30 | 65 | |
| 3RT2038 | 37 | 80 | |

| Article number (size S3) | P (AC-3 / AC-3e, 400 V) [kW] | I_e (AC-3 / AC-3e, 400 V) [A] | Width [mm] |
|-----------------------------|---------------------------------|------------------------------------|------------|
| 3RT2045 | 37 | 80 | 70 |
| 3RT2046 | 45 | 95 | |
| 3RT2047 | 55 | 110 | |

3RT10 power contactors

| Article number (size S6) | P (AC-3 / AC-3e, 400 V) [kW] | I _e (AC-3 / AC-3e, 400 V) [A] | Width [mm] |
|-----------------------------|---------------------------------|---|------------|
| 3RT1054 | 55 | 115 | 120 |
| 3RT1055 | 75 | 150 | |
| 3RT1056 | 90 | 185 | |

| Article number (size S10) | P (AC-3 / AC-3e, 400 V) [kW] | I _e (AC-3 / AC-3e, 400 V) [A] | Width [mm] |
|------------------------------|---------------------------------|---|------------|
| 3RT1064 | 110 | 225 | 145 |
| 3RT1065 | 132 | 265 | |
| 3RT1066 | 160 | 300 | |

| Article number (size S12) | P (AC-3 / AC-3e, 400 V) [kW] | I _e (AC-3 / AC-3e, 400 V) [A] | Width [mm] |
|------------------------------|---------------------------------|---|------------|
| 3RT1075 | 200 | 400 | 160 |
| 3RT1076 | 250 | 500 | |

3RT12 vacuum contactors

| Article number (size S10) | P (AC-4, 400 V) [kW] | I _e (AC-3, 1000 V) [A] | Width [mm] |
|------------------------------|-------------------------|--------------------------------------|------------|
| 3RT1264 | 110 | 225 | 145 |
| 3RT1265 | 132 | 265 | |
| 3RT1266 | 160 | 300 | |

| Article number (size S12) | P (AC-4, 400 V) [kW] | I _e (AC-3, 1000 V) [A] | Width [mm] |
|------------------------------|-------------------------|--------------------------------------|------------|
| 3RT1275 | 200 | 400 | 160 |
| 3RT1276 | 250 | 500 | |

Attenuation of the switching overvoltage of the 3RT vacuum contactors

To attenuate switching overvoltages and to protect the insulation of the motor winding from multiple re-ignitions when switching off three-phase motors, we recommend you connect 3RT12 vacuum contactors (2T1 / 4T2 / 6T3) on the outgoing side with the main current path attenuation module (RC element and varistor). This circuit is not necessary when using motors whose insulation is designed for operation on converters.

NOTICE

The main current path circuit is not required for operation in circuits with converters. The circuit can be destroyed by the voltage peaks and harmonics, resulting in phase-to-phase short circuits.

Main current path surge attenuation module for vacuum contactors

The main current path attenuation module is available for the following rated operational voltages:

- $U_e \leq 690$ V: 3RT1966-1PV3
- $U_e \leq 1000$ V: 3RT1966-1PV4

The main current path attenuation module is connected separately from the contactor over a cable of a length of approximately 35 cm on the outgoing terminal of the 2T1 / 4T2 / 6T3 contactor.

6.6 Switching slightly inductive or non-inductive loads

Applications

The following contactor versions can be used to switch slightly inductive or non-inductive loads according to utilization category AC-1:

- 3-pole 3RT20 contactors (sizes S00 to S3)
- 4-pole 3RT23 contactors (sizes S00 to S3) and 3RT13 contactors (sizes S6 to S12)
- 3-pole 3RT24 contactors (size S3), 3RT14 contactors (size S6 to S12) and 3RT148 contactors

These contactors feature 3 or 4 NO contacts as their main contacts.

Typical applications:

- Switching slightly inductive or non-inductive loads
- Isolation of systems with ungrounded or poorly grounded neutral conductors.
- System switchover, where alternative AC power supplies are present.
- For inductive loads as contactors which conduct the current but do not have to perform switching (e.g. if used in the vicinity of frequency converters).
- Switching mixed loads in distribution systems.

Configuration note

The 3RT10 contactor series for switching motors also has utilization category AC-1.

Versions

In size S0, the installation depth for contactors with a DC solenoid system is 10 mm larger than that for versions with an AC solenoid system. Within the respective size (S2 to S12) all operating mechanism types have the same installation depth (exception: 3RT13).

Rated powers

A single size covers several versions with different rated operational currents I_e . All specified rated currents refer to an ambient temperature of 40 °C.

3RT20 contactors

| Article number (size S00) | I_e (AC-1, 690 V) [A] | Width [mm] |
|------------------------------|----------------------------|------------|
| 3RT2015 | 18 | 45 |
| 3RT2016 | 22 | |
| 3RT2017 | 22 | |
| 3RT2018 | 22 | |

| Article number (size S0) | I_e (AC-1, 690 V) [A] | Width [mm] |
|-----------------------------|----------------------------|------------|
| 3RT2023 | 40 | 45 |
| 3RT2024 | | |
| 3RT2025 | | |
| 3RT2026 | | |
| 3RT2027 | 50 | |
| 3RT2028 | | |

| Article number (size S2) | I_e (AC-1, 690 V) [A] | Width [mm] |
|-----------------------------|----------------------------|------------|
| 3RT2035 | 60 | 55 |
| 3RT2036 | 70 | |
| 3RT2037 | 80 | |
| 3RT2038 | 90 | |

6.6 Switching slightly inductive or non-inductive loads

| Article number (size S3) | I_e (AC-1, 690 V) [A] | Width [mm] |
|-----------------------------|----------------------------|------------|
| 3RT2045 | 125 | 70 |
| 3RT2046 | 130 | |
| 3RT2047 | 130 | |

3RT23 contactors

| Article number (size S00) | I_e (AC-1, 690 V) [A] | Width [mm] |
|------------------------------|----------------------------|------------|
| 3RT2316 | 18 | 45 |
| 3RT2317 | 22 | |

| Article number (size S0) | I_e (AC-1, 690 V) [A] | Width [mm] |
|-----------------------------|----------------------------|--|
| 3RT2325 | 35 | 60 (screw connection) 61 (spring-loaded connection) |
| 3RT2326 | 40 | |
| 3RT2327 | 50 | |

| Article number (size S2) | I_e (AC-1, 690 V) [A] | Width [mm] |
|-----------------------------|----------------------------|------------|
| 3RT2336 | 60 | 75 |
| 3RT2337 | 110 | |

| Article number (size S3) | I_e (AC-1, 690 V) [A] | Width [mm] |
|-----------------------------|----------------------------|------------|
| 3RT2344 | 110 | 96 |
| 3RT2346 | 140 | |
| 3RT2348 | 160 | |

3RT13 contactors

| Article number (size S6) | I_e (AC-1, 690 V) [A] | Width [mm] |
|-----------------------------|----------------------------|------------|
| 3RT1355 | 200 | 120 |

| Article number (size S10) | I_e (AC-1, 690 V) [A] | Width [mm] |
|------------------------------|----------------------------|------------|
| 3RT1363 | 275 | 140 |
| 3RT1364 | 350 ¹⁾ | |

¹⁾ From 275 A, the 3RT1966-4D bus connectors offset must be used

| Article number (size S12) | I_e (AC-1, 690 V) [A] | Width [mm] |
|------------------------------|----------------------------|------------|
| 3RT1373 | 400 | 184 |
| 3RT1374 | 500 ¹⁾ | |
| 3RT1375 | 525 ¹⁾ | |

¹⁾ From 450 A, the 3RT1976-4D bus connectors offset must be used

3RT24 contactors

| Article number (size S3) | I_e (AC-1, 690 V) [A] | Width [mm] |
|-----------------------------|----------------------------|------------|
| 3RT2446 | 140 | 70 |
| 3RT2448 | 160 | |

3RT14 contactors

| Article number (size S6) | I_e (AC-1, 690 V) [A] | Width [mm] |
|-----------------------------|----------------------------|------------|
| 3RT1456 | 275 | 120 |

| Article number (size S10) | I_e (AC-1, 690 V) [A] | Width [mm] |
|------------------------------|----------------------------|------------|
| 3RT1466 | 400 | 145 |
| 3RT1467 | 500 | 145 |

| Article number (size S12) | I_e (AC-1, 690 V) [A] | Width [mm] |
|------------------------------|----------------------------|------------|
| 3RT1476 | 690 | 160 |

3RT148 contactors

All specified rated currents refer to an ambient temperature of 55 °C.

| Article number | I_e (AC-1, 1000 V) [A] | Width [mm] |
|----------------|-----------------------------|------------|
| 3RT1481 | 900 | 285 |
| 3RT1482 | 1050 | 285 |
| 3RT1483 | 1260 | 285 |
| 3RT1485 | 1700 | 431 |
| 3RT1486 | 2100 | 431 |
| 3RT1487 | 2650 | 431 |

6.7 Changing the polarity of hoisting gear motors

Applications

The 4-pole 3RT25 contactors (2 NO contacts and 2 NC contacts) can be used for changing the polarity of hoisting gear motors.

Note

The individual device for pole changing is not suitable for reversing operation.

Versions

The entire performance range of 3 to 11 kW/400 V (utilization category AC-3) is covered by two sizes, S00 and S0, each with a width of 45 mm. The performance range of 18.5 kW to 22 kW/400 V (utilization category AC-3) is covered by size S2, up to 37 kW by size S3. All 4-pole 3RT25 contactors of sizes S00 to S3 are equipped with AC or DC solenoid systems. The device footprints are the same for all operating mechanism types. In size S0, the installation depth for contactors with a DC solenoid system is 10 mm larger than that for versions with an AC solenoid system. In the case of sizes S2 and S3, all operating mechanism types have the same installation depth.

Rated powers

A single size covers several versions with different rated operational currents I_e . All specified rated currents refer to an ambient temperature of 60 °C.

3RT25 contactors

| Article number (size S00) | I_e (AC-1, 690 V) [A] | Width [mm] |
|------------------------------|----------------------------|------------|
| 3RT2516 | 18 | 45 |
| 3RT2517 | 22 | |
| 3RT2518 | 22 | |

| Article number (size S0) | I_e (AC-1, 690 V) [A] | Width [mm] |
|-----------------------------|----------------------------|--|
| 3RT2526 | 40 | 60 (screw connection) 61 (spring-loaded connection) |

| Article number (size S2) | I_e (AC-1, 690 V) [A] | Width [mm] |
|-----------------------------|----------------------------|------------|
| 3RT2535 | 60 | 75 |
| 3RT2536 | 70 | |

| Article number (size S3) | I_e (AC-1, 690 V) [A] | Width [mm] |
|-----------------------------|----------------------------|------------|
| 3RT2544 | 100 | 96 |
| 3RT2545 | 125 | |

6.8 Switching in the auxiliary circuit

Applications

The 3RH2 contactor relays can be used for switching in the auxiliary circuit (controlling, signaling, interlocking).

Thanks to their high contact reliability at low voltages and currents, the 3RH2 contactor relays are suitable for solid-state circuits down to a lower limit of 1 mA at 17 V.

Versions

3RH2 contactor relays are available in a width of 45 mm (size S00) and can be ordered with solenoid coils for AC or DC operation. The external design of the 4-pole 3RH21 contactor relay is identical to that of the motor contactor in size S00 (45 mm width). In addition, 8-pole 3RH22 contactor relays can be supplied with a permanently mounted auxiliary switch on the front.

Rated powers

The performance range of the 4-pole 3RH21 contactor relays in size S00 extends up to 10 A at a voltage of up to 230 V in utilization category AC-15/AC-14 and up to 10 A at 24 V DC in utilization category DC-12/DC-13.

Auxiliary switch

The 3RH2 contactor relays can be expanded by up to 4 contacts via attachable auxiliary switch.

Special version: 3RH24 latched contactor relays

In the event of a short circuit in the low-voltage system or if large drive motors are switched on directly, the control supply voltage for the contactor relays may drop out or fall below the permissible tolerance for a brief period. To guarantee continued operation, the 3RH24 special version of the contactor relays, with mechanical latching, may be used. These contactor relays latch mechanically following switch-on and then remain switched on even if there is a voltage failure. The contactor relay can be released either electrically by means of a release solenoid, or manually by actuating the latched contactor. When the voltage is recovered, the storage properties of the contactor relays mean that the production program can be resumed straightaway without any resetting time. The contactor coil and the coil of the release solenoid are both dimensioned for continuous operation. The power input is the same for the contactor coil and the release coil. The number of auxiliary contacts can be extended by means of auxiliary switches on the front (up to max. 4 poles).

6.9 Switching of capacitive loads

Applications

The 3-pole capacitor contactors can be used to switch capacitive loads.

Besides switching power capacitors in reactive-current compensation systems, they are also used to switch on converters.

Capacitor contactors are suitable for capacitors with and without reactor protection.

Switching of capacitive loads

The inrush current of a capacitor increases with the short-circuit power of the line.

The capacitor's inrush current is at its highest when it is connected directly to the transformer or in parallel with existing capacitors. This is similar to capacitor banks for reactive power compensation, for example, when a capacitor is connected in parallel to existing capacitors.

The charging current is taken not only from the line. Current is additionally drawn from the parallel-connected capacitors.

To meet this requirement, 3RT26 capacitor contactors have precharging resistors to reduce the inrush current. They are designed to convey the inrush current in such applications, and are weld-resistant for peak inrush currents in accordance with the technical data.

In the case of 3RT26 capacitor contactors, the precharging resistors form a component part of the contactor.

The precharging resistors are activated via leading auxiliary contacts before the main contacts close. During switching, after attenuation of the peak current, they are decoupled again.

Attenuation of the inrush current peaks also reduces interfering harmonics in the supply.

The precharging resistors are separately protected reliably against detrimental mechanical influences by the robust precharging resistor enclosure.

Thanks to the innovated, technical principle of precharging resistor decoupling, the 3RT26 capacitor contactors have an enhanced useful life in comparison with their predecessor.

Reference

| Information | can be found in the chapter ... |
|---|---|
| About operation with frequency converters | Configuration notes for the use of contactors in the environment of frequency converters (Page 162) |

Versions

The entire performance range from 12.5 to 100 kvar / 400 V (utilization category AC-6b) is covered by four sizes S00 to S3, each with a width of 45, 65 or 80 mm.

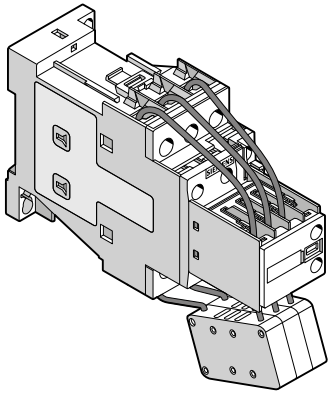
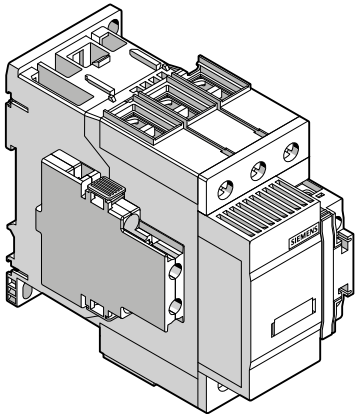
The device footprints are the same for all operating mechanism types. In size S0, the installation depth for contactors with DC and AC/DC solenoid systems is 10 mm larger than for versions with an AC solenoid system.

Auxiliary switches

For sizes S2 and S3, all freely available auxiliary switches are implemented by means of lateral auxiliary switches.

The following table shows the standard versions available for 3RT26. Other versions are available on request.

Devices with 2 NC contacts (2NC) are now consistently available in all power quantities.

| Size | Possible versions |  |  |
|------|-------------------|--|--|
| | | On the front ¹⁾ 4-pole | Lateral ²⁾ 2-pole |
| S00 | 2NC | 1NC in the precharging block, 1NC in the basic unit | --- |
| S00 | 1NC/1NO | 1NC in the precharging block, 1NO in the basic device | --- |
| S0 | 2NC/1NO | 1NC in the precharging block, 1NC/ 1NO in the basic device | --- |
| S2 | 2NC | --- | 2NC |
| S2 | 1NC/1NO | --- | 1NC/1NO |
| S3 | 2NC | --- | 2NC |
| S3 | 1NC/1NO | --- | 1NC/1NO |

¹⁾ For S00 and S0 capacitor contactors with an auxiliary switch on the front, additional auxiliary switches cannot be mounted on the side.

²⁾ Maximum of one lateral auxiliary switch mountable for sizes S2 and S3.

Rated powers

A single size covers several versions with different rated operational currents I_e . The performance range of the 3-pole 3RT26 capacitor contactors in size S00 reaches 12.5 kvar at a voltage of 400 V. In size S0, the range extends to 33.3 kvar at a voltage of 400 V. In size S2, the maximum power value is 75 kvar at 400 V. In size S3, the maximum power value is 100 kvar at 400 V. The maximum rated operational voltage is 690 V. In devices with the size S3, the maximum rated operational voltage is 1000 V. At higher operational voltages, the rated powers increase as listed in the technical specifications.

All specified rated powers and rated currents refer to an ambient temperature of 60 °C. The capacitor contactors are available with the performance levels 12.5 kvar (S00), 16.7 kvar (S0), 20 kvar, 25 kvar (S0), 33 kvar (S0 with infeed terminal), 50 kvar (S2), 75 kvar (S2), 75 kvar (S3) and 100 kvar (S3) at 400 V.

Representation of the making operation

Single-phase representation of maximum capacitor inrush currents when energizing a 50 kvar capacitor at 400 V 50 Hz to an energized capacitor bank of 250 kvar without use of reactors (inductors)

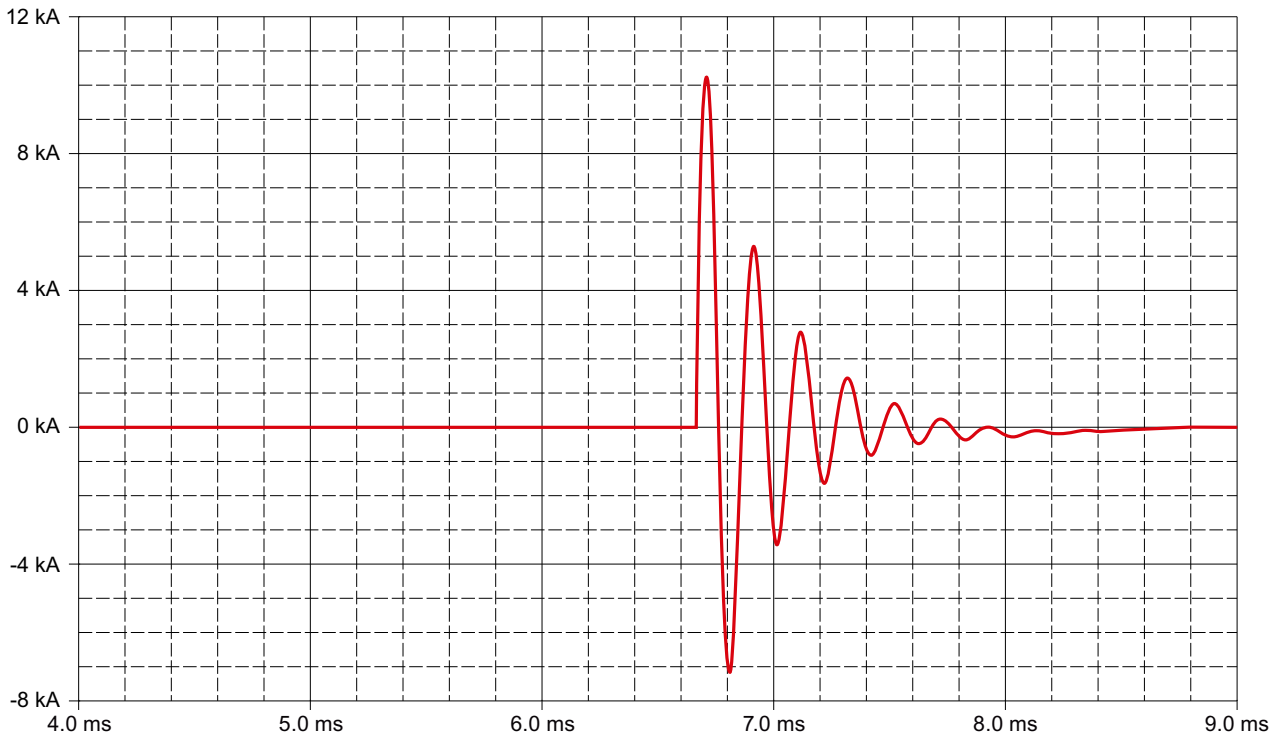


Figure 6-15 1. Energizing with contactor (without precharging)
Result: The maximum inrush current peak can reach values in excess of 10 kA.



Figure 6-16 2. Energizing with a 3RT2636 capacitor contactor (with precharging)
Result: The maximum inrush current peak can be reduced to less than 5 kA (depending on precharging).


Conclusion:


With 3RT26 capacitor contactors, it is possible to directly energize capacitors even without the use of reactors. This means that a high useful life of the contacts is achieved without contacts failing prematurely due to contact welding, as conventional contactors can, even without the installation of reactors.

Note

Capacitor energizing was examined at a maximum of the 5-fold parallel load and the useful life checked.

Warning notices

| |
|--|
|  DANGER |
| <p>Hazardous voltage. Will cause death or serious injury.</p> <p>Turn off and lock out all power supplying this device before working on this device.</p> |

| |
|---|
|  CAUTION |
| Danger of personal injury: <ul style="list-style-type: none">• Do not operate manually• Do not carry out repairs on faulty contactors |

| |
|---|
| NOTICE |
| Danger of material damage <p>To prevent the contactors from being destroyed, please follow these instructions:</p> <ul style="list-style-type: none">• Do not exceed the permissible number of switching operations• Do not close the contactors when the capacitors are loaded• Do not operate the contactors unless the precharging resistors are connected• Do not use any undefined or faulty control voltage (e.g. if control voltage is drawn from the main circuit without a control transformer)• After short-time interruptions of the control voltage, do not energize capacitors that have not yet discharged• Do not operate manually for function test |

| |
|--|
| NOTICE |
| <ul style="list-style-type: none">• Switch to discharged capacitors only!• Do not operate manually for a function test.• The precharging resistors must not be removed as otherwise the contacts will be damaged during switching operations with load.• The enclosure of the precharging resistors heats up during the making operation. <p>Once the main contacts have closed, the temperature rise of the precharging resistors is stopped because the auxiliary contacts decouple. However, as it cannot be ruled out in the event of a fault that critical overheating may occur, it is recommended to select appropriate materials in the environment of the capacitor contactors, e.g. flame-retardant and self-extinguishing materials.</p> |

Note**Recommendations for configuration/operation:**

- Use the recommended conductor cross-sections only
- Avoid connecting leads that are too short
- Wire capacitors with discharging reactors instead of discharging resistors to avoid energizing of still charged capacitors in the event of a disruption of the control voltage.
- Prevent manual operation of the capacitor contactors under load voltage. This can lead to destruction of the precharging resistors and to welding of contacts.
- Implement circuitry measures to ensure compliance with the required idle times after deactivation or short-time interruption of the control voltage. Inadmissibly short idle times or inadmissibly high switching frequency can produce overloading of the integrated precharging resistors or welding of the contacts if the necessary discharging time of the capacitors is not observed.
- Check connection terminals at least once every year for preserved clamping force and retighten them, if necessary.
- Observation of the effective capacitor current for a period of 24 hours is recommended so as to be able to ensure that the permissible average current load of the contactor's current paths ($1.3 \times I_e$ AC-6b) is not exceeded.
- Measurement of the harmonic component of the capacitor current is recommended. If the rms value of the current downstream of the supply transformer, or a proportional converter load, is higher than 20 % then suitable measures must be taken (connection of reactors to the capacitors, or installation of filter circuits).
- To avoid jeopardizing systems and persons, defective capacitor contactors are not permitted to be repaired.
- The minimum idle time is derived from the maximum switching frequency as follows:

$$T_{p_{\min}} = \frac{1}{z}$$

$T_{p_{\min}}$ = Minimum idle time
 z = Maximum switching frequency

Table 6-2 Max. switching frequency z in operating cycles/hour at $I_e/AC-6b$ and at various operating voltages¹⁾

| Type | 3RT2617 | 3RT2625 | 3RT2626 | 3RT2627 | 3RT2628 | 3RT2636 | 3RT2637 | 3RT2645 | 3RT2646 |
|---------------------|---------|---------|---------|---------|---------|---------|----------------------|----------------------|---------------------|
| Size | S00 | S0 | | | | S2 | | S3 | |
| 230 V, 50/60 Hz 1/h | 180 | 180 | 100 | 100 | 100 | 100 | 100 | 200 | 150 |
| 400 V, 50/60 Hz 1/h | 180 | 180 | 100 | 100 | 100 | 100 | 100/80 ²⁾ | 100/80 ²⁾ | 80/60 ³⁾ |
| 480 V, 50/60 Hz 1/h | 180 | 180 | 100 | 100 | 70 | 60 | 50 | 53 | 40 |
| 500 V, 50/60 Hz 1/h | 180 | 180 | 100 | 100 | 65 | 55 | 45 | 53 | 40 |
| 600 V, 50/60 Hz 1/h | 180 | 180 | 100 | 100 | 45 | 40 | 32 | 30 | 20 |

6.10 Contactors with extended operating range

| Type | 3RT2617 | 3RT2625 | 3RT2626 | 3RT2627 | 3RT2628 | 3RT2636 | 3RT2637 | 3RT2645 | 3RT2646 |
|----------------------|---------|---------|---------|---------|---------|---------|---------|---------|---------|
| Size | S00 | S0 | | | | S2 | | S3 | |
| 690 V, 50/60 Hz 1/h | 180 | 150 | 100 | 72 | 36 | 30 | 25 | 30 | 20 |
| 1000 V, 50/60 Hz 1/h | --- | --- | --- | --- | --- | --- | --- | 30 | 20 |

- 1) Information for worst case, higher switching frequency possible.
- 2) Operating cycles/h: 100 with AC operation; 80 with AC/DC operation
- 3) Operating cycles/h: 80 with AC operation; 60 with AC/DC operation

6.10 Contactors with extended operating range

6.10.1 Contactors for rail applications according to IEC 60077-2

These contactor types are equipped with electronic coil control.

The following conditions of use apply:

- They are approved for operation within the temperature range -40°C to $+70^{\circ}\text{C}$.
- The operating range of the contactor operating mechanism is $0.7 - 1.25 \times U_N$ referred to the rated value for operation on DC voltage.
- The operating mechanisms with rated voltages of 24 V DC, 72 V DC and 110 V DC are available by preference.
- Like the solid-state operating mechanisms of the 3RT1 standard contactors, the operating mechanisms in the sizes S6-S12 are equipped with 2 operating modes for direct control.

| Size | Article number | Power rating of three-phase motors [kW] at 400 V |
|------|--------------------|--|
| S00 | 3RT201.-.X...-0LA2 | 5.5 |
| S0 | 3RT202.-.X...-0LA2 | 18.5 |
| S2 | 3RT203.-.X...-0LA2 | 37 |
| S3 | 3RT204.-.X...-0LA2 | 55 |
| S6 | 3RT105.-.X...-0LA2 | 90 |
| S10 | 3RT106.-.X...-0LA2 | 160 |
| S12 | 3RT107.-.X...-0LA2 | 250 |

| Size | Article number | Operational current I_N [A] AC-1 at 400 V |
|------|--------------------|---|
| S6 | 3RT1456-2X...-0LA2 | 275 |
| S10 | 3RT1466-2X...-0LA2 | 400 |
| S10 | 3RT1467-2X...-0LA2 | 500 |
| S12 | 3RT1476-2X...-0LA2 | 690 |

The above-listed contactors have a supplementary approval according to IEC 60077 and are thus optimized for use in rail applications.

The following contactor relays have the described approval and operating mechanism configuration:

- Article No.: 3RH2...-X...-0LA2

The switching capacity data correspond to those of the 3RH2 standard coupling relays.

Other contactors with extended operating range

As well as the contactors with solid-state operating mechanisms approved according to IEC 60077-2, contactors and contactor relays with conventional operating mechanisms and series resistors in the form of a coil circuit are also available. These devices have an operating range of $0.7 \dots 1.25 \times U_s$, and a temperature range of $-40 \text{ }^\circ\text{C}$ to $+70 \text{ }^\circ\text{C}$.

The series resistor is installed in an attached module. The NC auxiliary contact is integrated into the basic unit and is already fully wired. Expansion with 4-pole auxiliary switches on the front is possible for contactors and contactor relays. The contactors can be additionally expanded with lateral auxiliary switches.

| Size | Article number | Power rating of three-phase motors [kW] at 400 V |
|------|--------------------|--|
| - | 3RH2122-2K.40-0LA0 | - |
| S00 | 3RT201.-2K.42-0LA0 | 5.5 |

Coupling relays

In sizes S00 and S0, coupling relays (motor contactors and contactor relays) with the extended operating range $0.7 - 1.25 \times U_s$ are additionally available.

The coupling relays in size S0 are connected with varistors.

For a temperature range of $60 \text{ }^\circ\text{C}$ to $70 \text{ }^\circ\text{C}$, the minimum clearance is 10 mm.

It is not possible to fit the 3RH coupling relays with auxiliary switches.

| Size | Article number | Power rating of three-phase motors [kW] at 400 V |
|------|----------------|--|
| - | 3RH2...-2L... | - |
| S00 | 3RT2.1.-2K... | 5.5 |
| S0 | 3RT2.2.-2K... | 15 |

6.10.2 Coupling relays

Applications

The coupling relays (24 V DC solenoid coil) have been adapted to the specific demands associated with system-compatible interaction with electronic controls, thanks to their extended operating range and reduced coil power.

6.10 Contactors with extended operating range

These are versions of the 3RT20/3RH21 contactor ranges, which are characterized by the following features:

| | | Wide voltage range of the solenoid coil | | | | | | | |
|------------------------|------|---|---|---------------------------------|--|----------------------------------|----------------------------------|----------------------------------|----------------|
| Coupling relay version | Size | 0.7 ... 1.25 x U _s | | 0.8 ... 1.85 x U _s | | 0.8 ... 1.20 x U _s | | 0.8 ... 1.20 x U _s | |
| | | Switch-on power = holding power | Article number | Switch-on power = holding power | Article number | Switch-on power Holding power | Article number | Switch-on power Holding power | Article number |
| 3RH21 contactor relay | S00 | 2.8 W at 24 V | 3RH21...HB40 (without RC circuit) 3RH21...JB40 (with diode) 3RH21...KB40 (with suppressor diode) | 1.6 W at 24 V | 3RH21...MB40-OKT0 (without RC circuit) 3RH21...VB40 (with diode) 3RH21...WB40 (with suppressor diode) | -- | | -- | |
| 3RT20 motor contactor | S00 | 2.8 W at 24 V | 3RT201...H. (without RC circuit) 3RT201...J. (with diode) 3RT201...K. (with suppressor diode) | 1.8 W at 24 V | 3RT201...M. (without RC circuit) 3RT201...V. (with diode) 3RT201...S. (with suppressor diode) | -- | | -- | |
| | S0 | 4.5 W at 24 V | 3RT202...1KB40 (with varistor) | -- | | -- | | -- | |
| | S2 | -- | -- | -- | -- | 21.5 W at 24 V | 3RT203...KB4. (with varistor) | -- | |
| | | | | | | 1.0 W at 24 V | | | |
| S3 | -- | -- | -- | -- | -- | -- | -- | 25.0 W at 24 V | 3RT204...KB4. |
| | | | | | | | | 0.9 W at 24 V | |

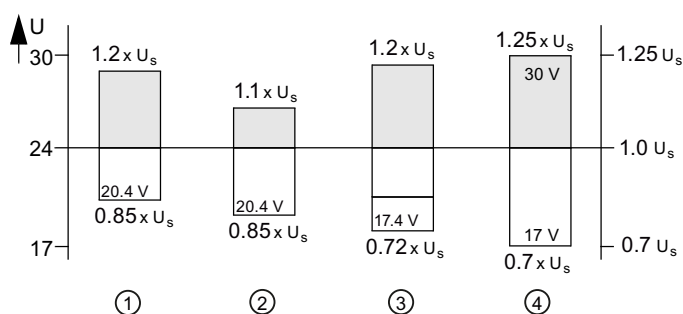
Note

The 3RT20/3RH21 coupling relays cannot be expanded by means of auxiliary switches.

6.10.2.1 Technical background information

The operating range of the coil for coupling relays covers a voltage range of 0.7 to $1.25 \times U_s$ ($U_s =$ rated control supply voltage). This wide operating range has been used as a basis for ensuring that the supply voltage of the electronic controls stays within the required voltage tolerances. The supply voltage of electronic controllers with 24 V DC can encompass the range from 20.4 V to 28.8 V. If you take an additional voltage drop of up to 3 V within the output stages into account, the contactor operating mechanism must function without errors at voltages of between 17.4 V and 28.8 V. The 3RT20 and 3RH21 coupling relays for electronic controls work reliably from 17 V to 30 V, which corresponds to a voltage range of $0.7 \times U_s$ to $1.25 \times U_s$. Compared to the operating range of 0.85 to $1.1 \times U_s$ for contactors and contactor relays according to IEC 60947-4-1, this is a significantly expanded operating range.

The illustration below shows the voltage ranges for electronic controls and mechanisms of contactors and contactor relays with a rated control supply voltage $U_s = 24$ V DC:



- 1 Supply voltage range of electronic controllers
- 2 Standard operating range for contactors according to IEC 60947-4-1
- 3 Voltage range for electronic outputs at ≤ 3 V internal voltage drop
- 4 Operating range of the coupling relays

Figure 6-17 Comparison of the voltage ranges of coupling relays

6.11 Contactors in safety applications

6.11.1 Safety notes


6.11.1.1 General safety notes


Note

SILCL 3 in accordance with IEC 62061:2005
PL e / Cat. 4 in accordance with EN ISO 13849-1:2015


The contactors with fail-safe control input are designed in such a way as to allow implementation of applications up to SILCL 3 in accordance with IEC 62061, PL e / Cat. 4 in accordance with EN ISO 13849-1.


6.11 Contactors in safety applications

| |
|---|
|  WARNING |
| Safety functional extra-low voltage Can Cause Death, Serious Injury, or Damage to Property |
| The fail-safe control input of these contactors is operated with a voltage of 24 V DC. A power supply unit with safety extra-low voltage (SELV, PELV) must be used. |
| You can find more detailed information about safety functional extra-low voltage in the data sheets of the power supplies to be used. |

| |
|--|
|  DANGER |
| Hazardous Voltage Will Cause Death, Serious Injury or Damage to Property. Health hazard from automatic restart. |
| Check the safety functions after a short-circuit / overload. |

6.11.1.2 Intended use

| |
|--|
|  WARNING |
| Hazardous Voltage Can Cause Death, Serious Injury, or Property Damage. Safe State (Safety Concept) |
| The basis of the safety concept is that a safe state exists for all process variables. On the contactors with fail-safe control input, this is the value "0". This applies to sensors and actuators. |

| |
|---|
|  WARNING |
| Hazardous Voltage Can Cause Death, Serious Injury, or Property Damage. Carry out function test of the system after changes |
| To ensure the safety of the system, any changes to it or any replacement of defective components must be followed by a thorough and successfully completed function test of the system. |
| A complete function test consists of the following tests: |
| <ul style="list-style-type: none">• System test (wiring test of the connected sensors and actuators) |

! WARNING**Hazardous Voltage****Can Cause Death, Serious Injury, or Property Damage.****Test interval for electromechanical actuators, e.g. contactors or relays**

When actuators such as contactors or relays are used in continuous operation, a function test interval (shutdown test) ≤ 1 year is necessary for SILCL 2 or ≤ 1 month for SILCL 3. Only then do the safety values apply.

Function test procedure for actuators with contacts:

- Actuate the connected sensors.
- Check their effect on the actuators.
- Activate the actuators by means of relevant statuses at the connected sensors.
- Check the effect on the actuators.
- Defective devices must be replaced.

Note

The current consumption of the contactor's fail-safe control input is too low for detecting open circuits in the controller's fail-safe output. This can lead to an incorrect signal and to shutdown of the contactor.

Deactivate the detection of open circuits in the controller.

Note

The contactor carries out a number of tests during start-up. When applying the supply voltage (A1/A2), refer to the data sheet for the recovery time following a power failure. Even if the fail-safe control input is already activated within this time, the contactor does not switch on again until the recovery time following a power failure has elapsed.

You will find further data in the data sheet (<https://support.industry.siemens.com/cs/ww/en/ps/16132/td>).

6.11.1.3 Current information about operational safety

Important note for maintaining operational safety of your system

Please take note of our latest information.

Systems with safety-related characteristics are subject to special operational safety requirements on the part of the operator. The supplier is also obliged to comply with special product monitoring measures. For this reason, we publish a special newsletter containing information on product developments and features that are (or could be) relevant to operation of safety-related systems. By subscribing to the appropriate newsletter, you will ensure that you are always up-to-date and able to make changes to your system, when necessary:

SIEMENS newsletter (<http://www.industry.siemens.com/newsletter>)

6.11 Contactors in safety applications

Request the following newsletter under "Products and Solutions":

- Industrial controls - SIRIUS News (en)
- Safety Integrated Newsletter

6.11.1.4 Security information

Siemens provides products and solutions with industrial security functions that support the secure operation of plants, systems, machines and networks.

In order to protect plants, systems, machines and networks against cyber threats, it is necessary to implement – and continuously maintain – a holistic, state-of-the-art industrial security concept. Siemens' products and solutions constitute one element of such a concept.

Customers are responsible for preventing unauthorized access to their plants, systems, machines and networks. Such systems, machines and components should only be connected to an enterprise network or the internet if and to the extent such a connection is necessary and only when appropriate security measures (e.g. firewalls and/or network segmentation) are in place.

For additional information on industrial security measures that may be implemented, please visit

<https://www.siemens.com/industrialsecurity>.

Siemens' products and solutions undergo continuous development to make them more secure. Siemens strongly recommends that product updates are applied as soon as they are available and that the latest product versions are used. Use of product versions that are no longer supported, and failure to apply the latest updates may increase customer's exposure to cyber threats.

To stay informed about product updates, subscribe to the Siemens Industrial Security RSS Feed under

<https://www.siemens.com/cert>.

6.11.2 Examples/applications

6.11.2.1 User responsibility for system design and function

The products described here were developed to perform safety-related functions as part of an overall installation or machine.

A complete, safety-related system is generally equipped with sensors, evaluation units, and signaling units, and uses reliable shutdown concepts.


It is the responsibility of the manufacturer to ensure that the system or machine is functioning properly as a whole.


Siemens AG, its regional offices, and associated companies (hereinafter referred to as "Siemens") cannot guarantee all the properties of a whole installation or machine that has not been designed by Siemens.

Nor can Siemens assume liability for recommendations that appear or are implied in the following description. No new guarantee, warranty, or liability claims beyond the scope of the Siemens general terms of supply are to be derived or inferred from the following description.

6.11.2.2 Safety information

Safety instructions

| |
|--|
|  WARNING |
| <p>Hazardous system state due to unverified safety specifications Can Cause Death, Serious Injury, or Damage to Property.</p> <p>If you use components in your system that do not conform to the safety specifications, safety functions may be deactivated.</p> <p>The application examples listed in this document are intended only to assist comprehension of the topics covered. For this reason, always check whether the respective application example is actually suitable for your real world application and that it would correspond to the resulting safety requirements. Use the safety characteristics provided for verification for this purpose.</p> |

| |
|--|
|  WARNING |
| <p>Hazardous system state due to unverified components Can Cause Death, Serious Injury, or Damage to Property.</p> <p>If you use components in your system that do not conform to current legal requirements, safety functions may be deactivated.</p> <p>The application examples mention components that are not covered by this documentation. Before using any component, check whether its characteristics comply with the current legal requirements for functional safety.</p> <ul style="list-style-type: none"> • You can obtain up-to-date information in our Newsletter (Page 123). • With regard to all application examples, please observe the "Safety notes (Page 121)". |

6.11.2.3 Layout of application examples

Safety function

A safety function consists of the three subfunctions "detecting", "evaluating" and "reacting". Sensors detect the state of a plant.

The contactor with fail-safe control input is controlled via the fail-safe control input in all applications. The switching state and the wiring for the control is monitored by means of the subfunction "evaluating".

The examples in the following sections focus on "reacting". "Detecting" is represented by an EMERGENCY STOP function. "Evaluating" is illustrated with the example of a safety relay or an F-PLC.

6.11 Contactors in safety applications

A 3SK1 safety relay is used as a PP-switching evaluation unit as an example. An F-PLC in conjunction with a digital output module F-DQ (F-DQ 8x24VDC 2A PPM) is used as a PM-switching evaluation unit as an example.

Note

Safety relays and fail-safe output modules of an F-PLC are both PP-switching and can also be used as PM-switching.

Due to the different terminal assignment, in this case, the wiring of the hardware components must be changed.

A contactor with fail-safe control input 3RT1054-1SP36 (size S6) is shown as an example in the application examples.

Any other contactor with fail-safe control input 3RT1 / 3RT2 in the sizes S2, S3, S10 and S12 can be used for the application examples. Due to the different terminal assignment, in this case, the wiring of the hardware components must be changed.

The contactors with fail-safe control input 3RT203.-.S.30-.... (size S2) / 3RT204.-.S.30-.... (size S3) have an auxiliary contact (1 NC contact).

The contactors with fail-safe control input 3RT1.5.-.S.36-.... (size S6) / 3RT1.6.-.S.36-.... (size S10) / 3RT1.7.-.S.36-.... (size S12) have 4 auxiliary contacts (2 NO contacts and 2 NC contacts).

Description

This section lists the most important features of the respective application, and the maximum Safety Integrity Level (SILCL) as per IEC 62061 or Performance Level (PL) and Category (Cat.) as per EN ISO 13849-1 that can be achieved.

Application

Here you will find a simplified graphical representation with the components used to implement the safety function. It is split into the "detecting", "evaluating" and "reacting" subsystems.

Circuit diagram

The characteristics of the inputs and outputs shown in the graphic equally apply to other input terminals and output terminals of the respective subfunctions. The wiring can be adapted for all equivalent terminals. The rules from the documentation of the respective components must be observed.

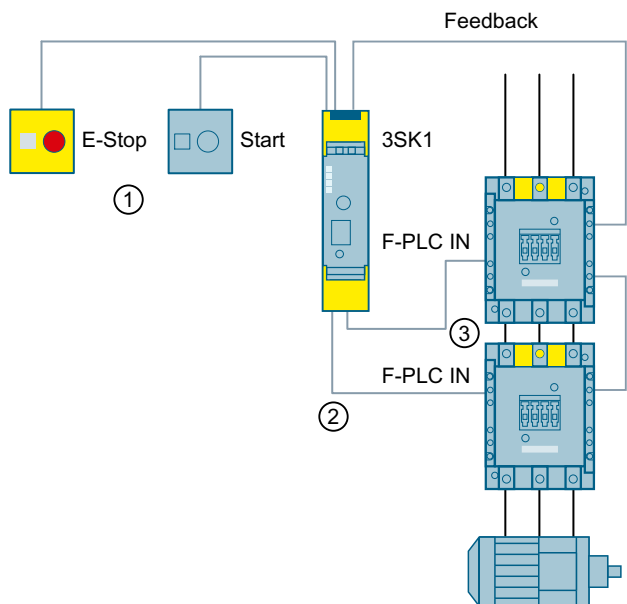
6.11.2.4 P-switching fail-safe outputs

EMERGENCY STOP shutdown up to SILCL 3 or PL e / Cat. 4 via two F-DQs

Description

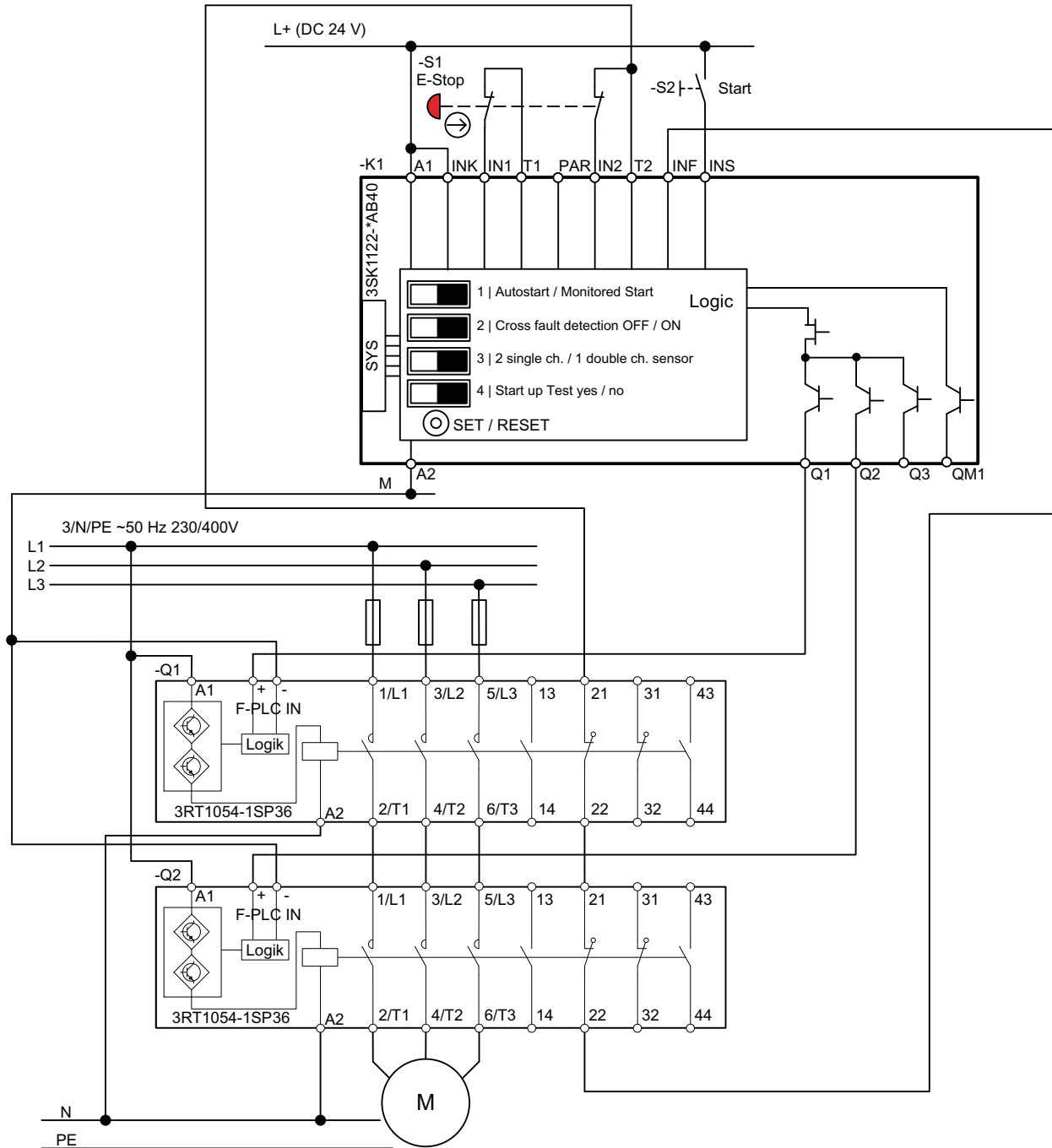
- EMERGENCY STOP shutdown
- "Detecting" subsystem up to SILCL 3 as per IEC 62061 and PL e / Cat. 4 as per EN ISO 13849-1
- EMERGENCY STOP command device according to ISO 13850
- Two-channel sensor interfacing
- Discrepancy evaluation between the sensor channels
- Cross-circuit monitoring of the sensor wiring
- Monitored start
- Shutdown of two contactors via two safety-related outputs
- Stop category 0
- "Reacting" subsystem up to SILCL 3 as per IEC 62061 and PL e / Cat. 4 as per EN ISO 13849-1
- Redundant actuators
- Use of two safety-related outputs on the 3SK1 safety relay when actuator cables are laid unprotected in the field.

Application



- ① Detection: EMERGENCY STOP
- ② Evaluation: 3SK1 safety relay
- ③ Reaction: 3RT1 contactors with fail-safe control input

Circuit diagram



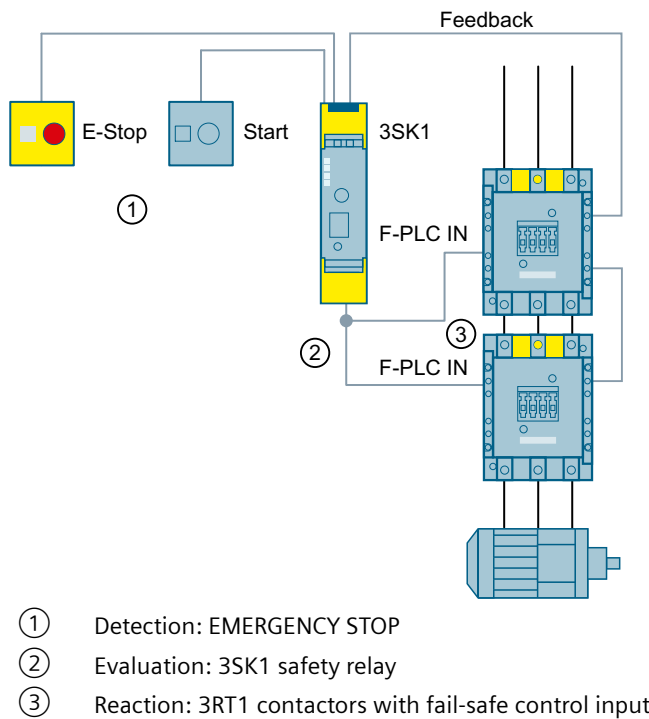
- Q1 3RT1054-1SP36 contactor
- Q2 3RT1054-1SP36 contactor
- K1 Safety relay 3SK1122-.AB40 22.5 mm
- S1 EMERGENCY STOP (two-channel)
- S2 Start button

EMERGENCY STOP shutdown up to SILCL 3 or PL e / Cat. 4 via an F-DQ

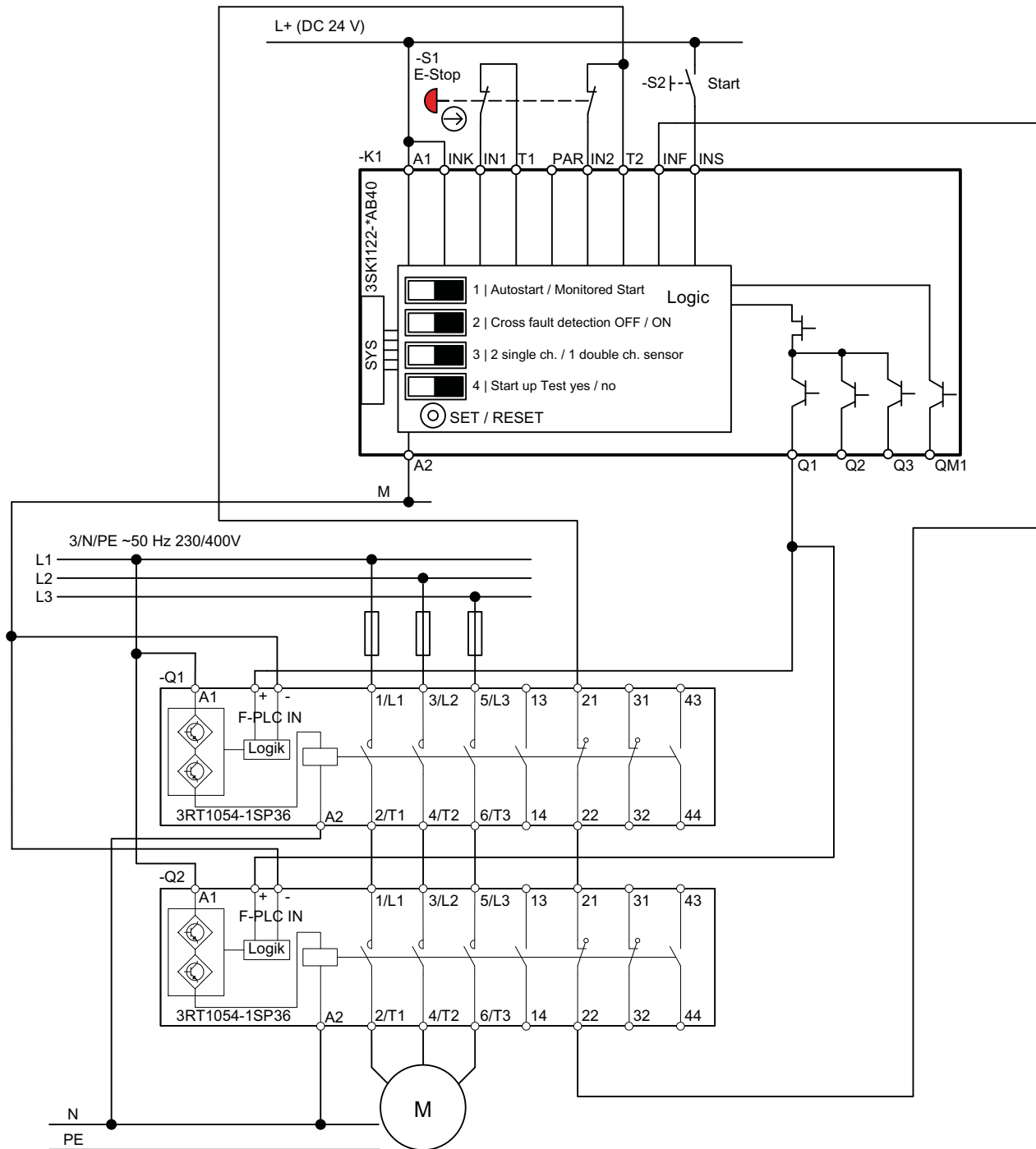
Description

- EMERGENCY STOP shutdown
- "Detecting" subsystem up to SILCL 3 as per IEC 62061 and PL e / Cat. 4 as per EN ISO 13849-1
- EMERGENCY STOP command device according to ISO 13850
- Two-channel sensor interfacing
- Discrepancy evaluation between the sensor channels
- Cross-circuit monitoring of the sensor wiring
- Monitored start
- Shutdown of two contactors via a safety-related output
- Stop category 0
- "Reacting" subsystem up to SILCL 3 as per IEC 62061 and PL e / Cat. 4 as per EN ISO 13849-1
- Redundant actuators
- Use of a safety-related output on the 3SK1 safety relay
- Cross-circuit-proof, short-circuit-to-ground-proof laying in the field or laying in a control cabinet necessary

Application



Circuit diagram



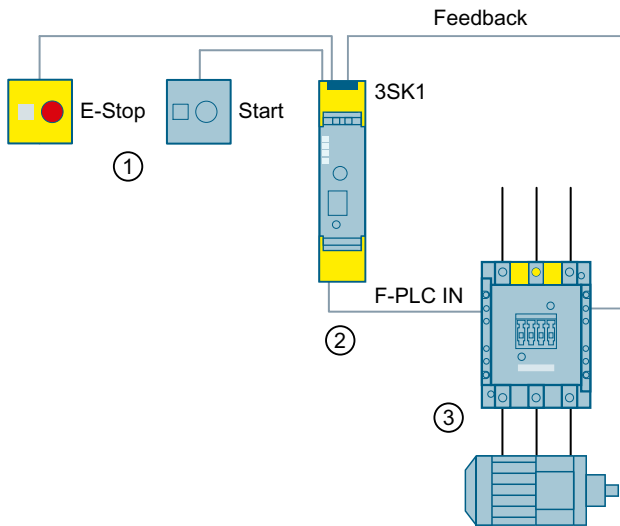
- Q1 3RT1054-1SP36 contactor
- Q2 3RT1054-1SP36 contactor
- K1 Safety relay 3SK1122-.AB40 22.5 mm
- S1 EMERGENCY STOP (two-channel)
- S2 Start button

EMERGENCY STOP shutdown up to SILCL 2 or PL c / Cat. 2

Description

- EMERGENCY STOP shutdown
- "Detecting" subsystem up to SILCL 2 as per IEC 62061 and PL c / Cat. 2 as per EN ISO 13849-1
- EMERGENCY STOP command device according to ISO 13850
- Two-channel sensor interfacing
- Cross-circuit monitoring of the sensor wiring
- Monitored start
- Shutdown via contactor
- Stop category 0
- "Reacting" subsystem up to SILCL 2 as per IEC 62061 and PL c / Cat. 2 as per EN ISO 13849-1
- Single-channel actuator interfacing

Application

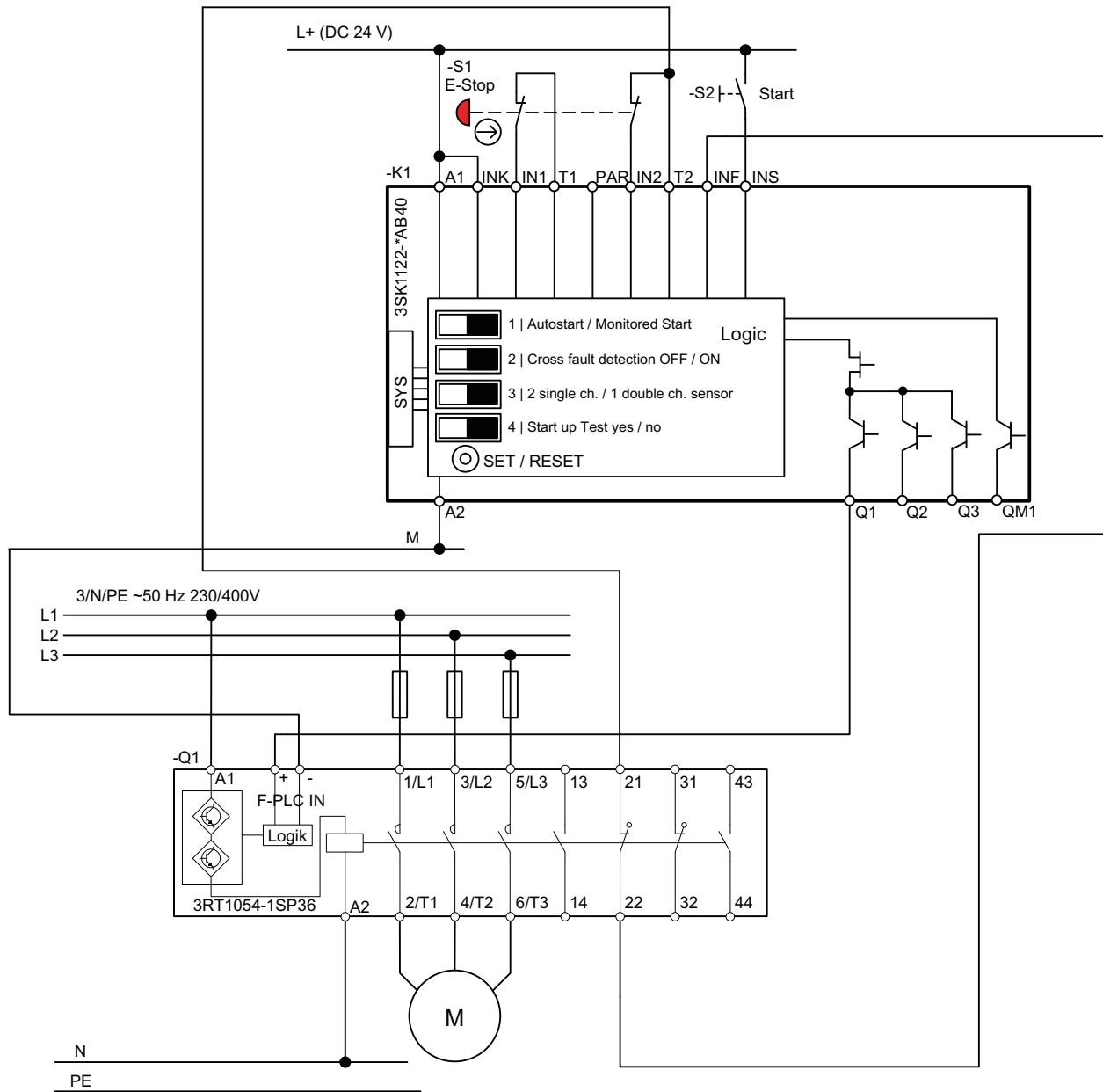


- ① Detection: EMERGENCY STOP
- ② Evaluation: 3SK1 safety relay
- ③ Reaction: 3RT1 contactor with fail-safe control input

Note

To achieve PL c for Cat. 2 according to EN ISO 13849-1, a warning must be displayed when there is a contactor malfunction.

Circuit diagram



- Q1 3RT1054-1SP36 contactor
- K1 Safety relay 3SK1122-.AB40 22.5 mm
- S1 EMERGENCY STOP (two-channel)
- S2 Start button

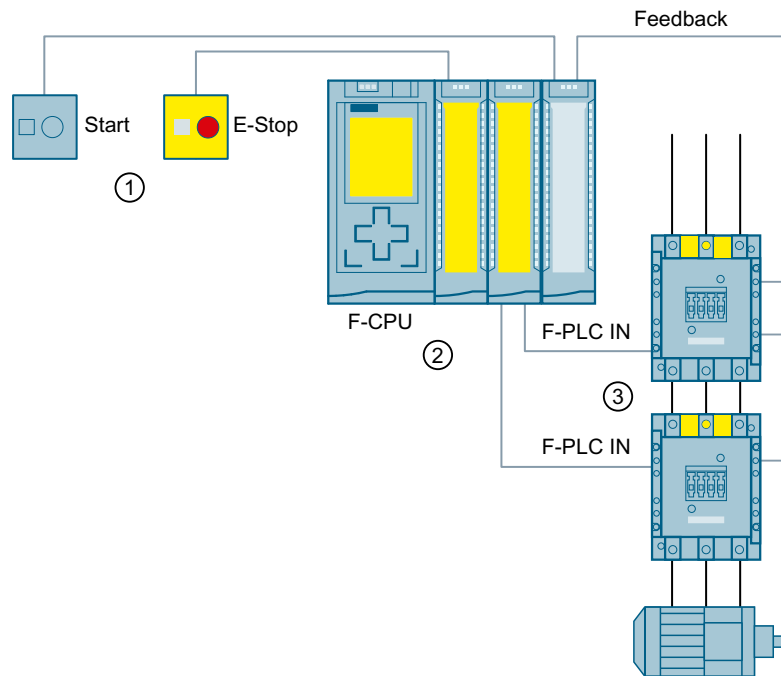
6.11.2.5 PM-switching fail-safe outputs

EMERGENCY STOP shutdown up to SILCL 3 or PL e / Cat. 4 via two F-DQs

Description

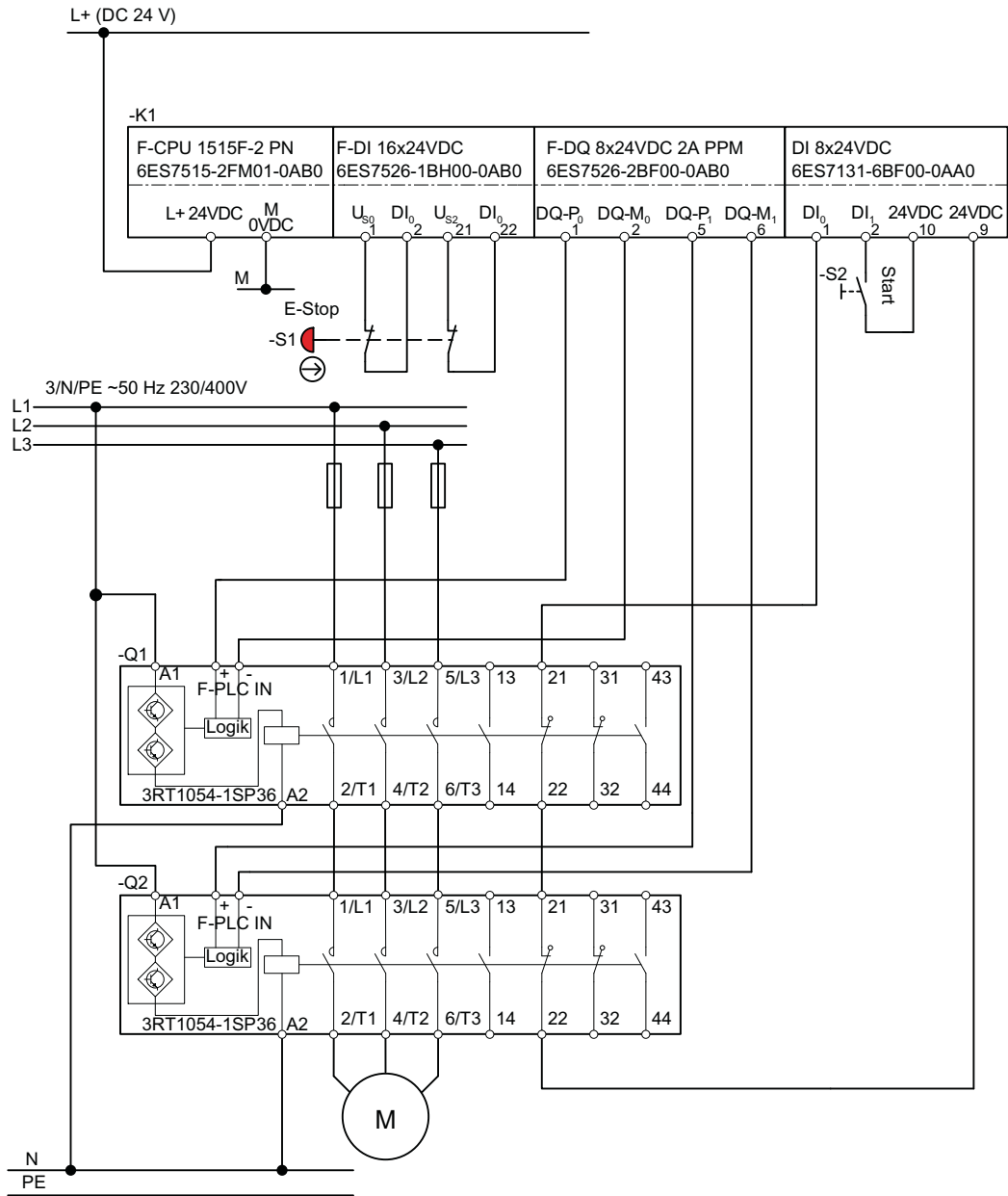
- EMERGENCY STOP shutdown
- "Detecting" subsystem up to SILCL 3 as per IEC 62061 and PL e / Cat. 4 as per EN ISO 13849-1
- EMERGENCY STOP command device according to ISO 13850
- Two-channel sensor interfacing
- Discrepancy evaluation between the sensor channels
- Cross-circuit monitoring of the sensor wiring
- Monitored start
- Shutdown of two contactors via two safety-related outputs
- Stop category 0
- "Reacting" subsystem up to SILCL 3 as per IEC 62061 and PL e / Cat. 4 as per EN ISO 13849-1
- Redundant actuators
- Use of two safety-related outputs on the fail-safe controller

Application



- ① Detection: EMERGENCY STOP
- ② Evaluation: SIMATIC S7-1500 automation system (fail-safe CPU for medium to large applications CPU 1515F-2 PN, digital input module F-DI, digital output module F-DQ, digital input module DI)
- ③ Reaction: 3RT1 contactors with fail-safe control input

Circuit diagram



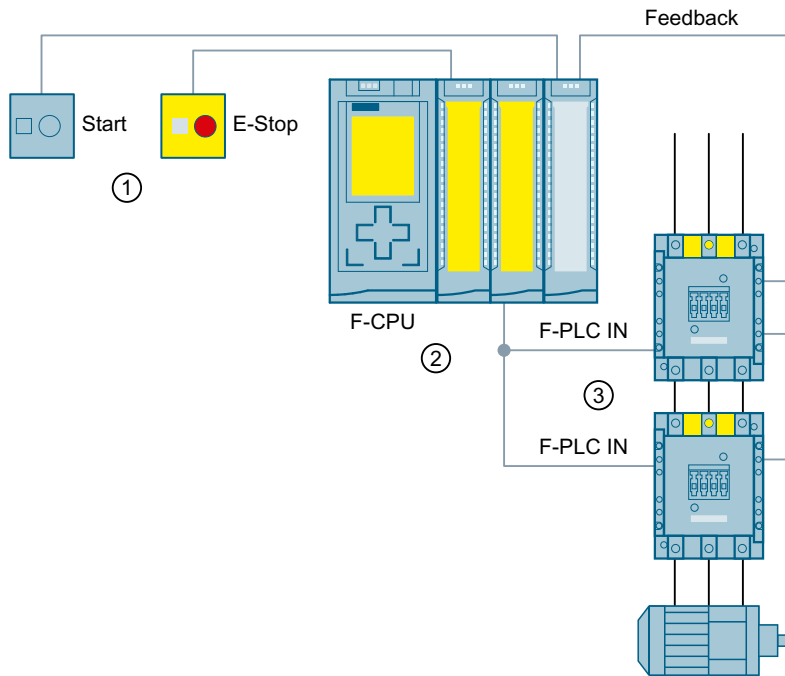
- K1 SIMATIC S7-1500 automation system
- Q1 3RT1054-1SP36 contactor
- Q2 3RT1054-1SP36 contactor
- S1 EMERGENCY STOP (two-channel)
- S2 Start button

EMERGENCY STOP shutdown up to SILCL 3 or PL e / Cat. 4 via an F-DQ

Description

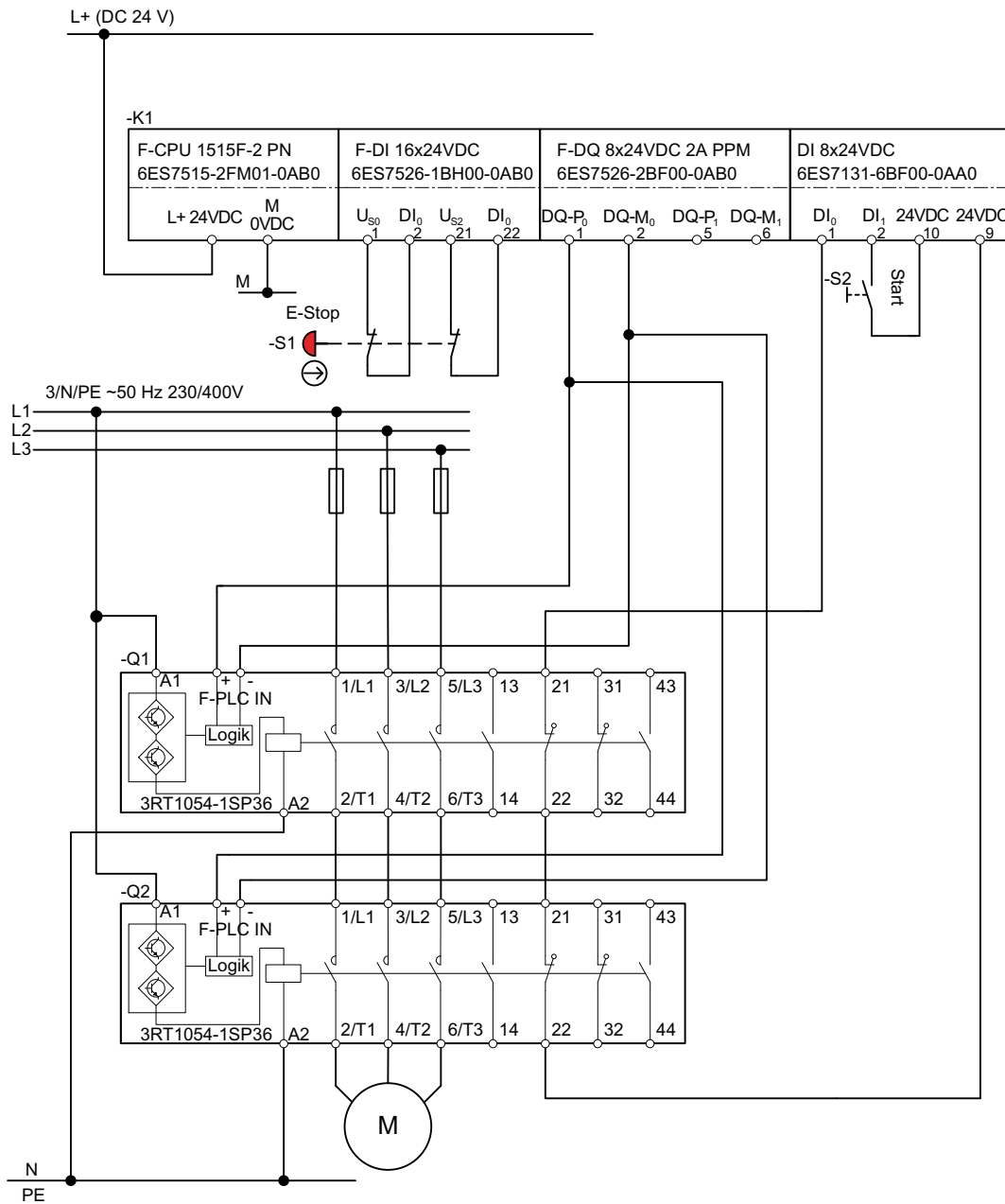
- EMERGENCY STOP shutdown
- "Detecting" subsystem up to SILCL 3 as per IEC 62061 and PL e / Cat. 4 as per EN ISO 13849-1
- EMERGENCY STOP command device according to ISO 13850
- Two-channel sensor interfacing
- Discrepancy evaluation between the sensor channels
- Cross-circuit monitoring of the sensor wiring
- Monitored start
- Shutdown of two contactors via a safety-related output
- Stop category 0
- "Reacting" subsystem up to SILCL 3 as per IEC 62061 and PL e / Cat. 4 as per EN ISO 13849-1
- Redundant actuators
- Use of one safety-related output on the fail-safe controller when actuator cables are laid protected in the field.

Application



- ① Detection: EMERGENCY STOP
- ② Evaluation: SIMATIC S7-1500 automation system (fail-safe CPU for medium to large applications CPU 1515F-2 PN, digital input module F-DI, digital output module F-DQ, digital input module DI)
- ③ Reaction: 3RT1 contactors with fail-safe control input

Circuit diagram



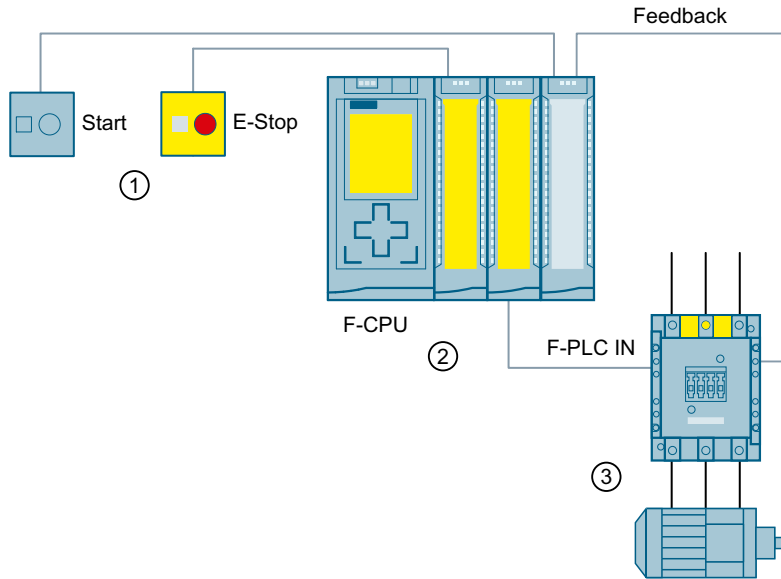
- K1 SIMATIC S7-1500 automation system
- Q1 3RT1054-1SP36 contactor
- Q2 3RT1054-1SP36 contactor
- S1 EMERGENCY STOP (two-channel)
- S2 Start button

EMERGENCY STOP shutdown up to SILCL 2 or PL c / Cat. 2

Description

- EMERGENCY STOP shutdown
- "Detecting" subsystem up to SILCL 2 as per IEC 62061 and PL c / Cat. 2 as per EN ISO 13849-1
- EMERGENCY STOP command device according to ISO 13850
- Single-channel sensor interfacing
- Monitored start
- Shutdown via contactor
- Stop category 0
- "Reacting" subsystem up to SILCL 2 as per IEC 62061 and PL c / Cat. 2 as per EN ISO 13849-1
- Single-channel actuator interfacing

Application




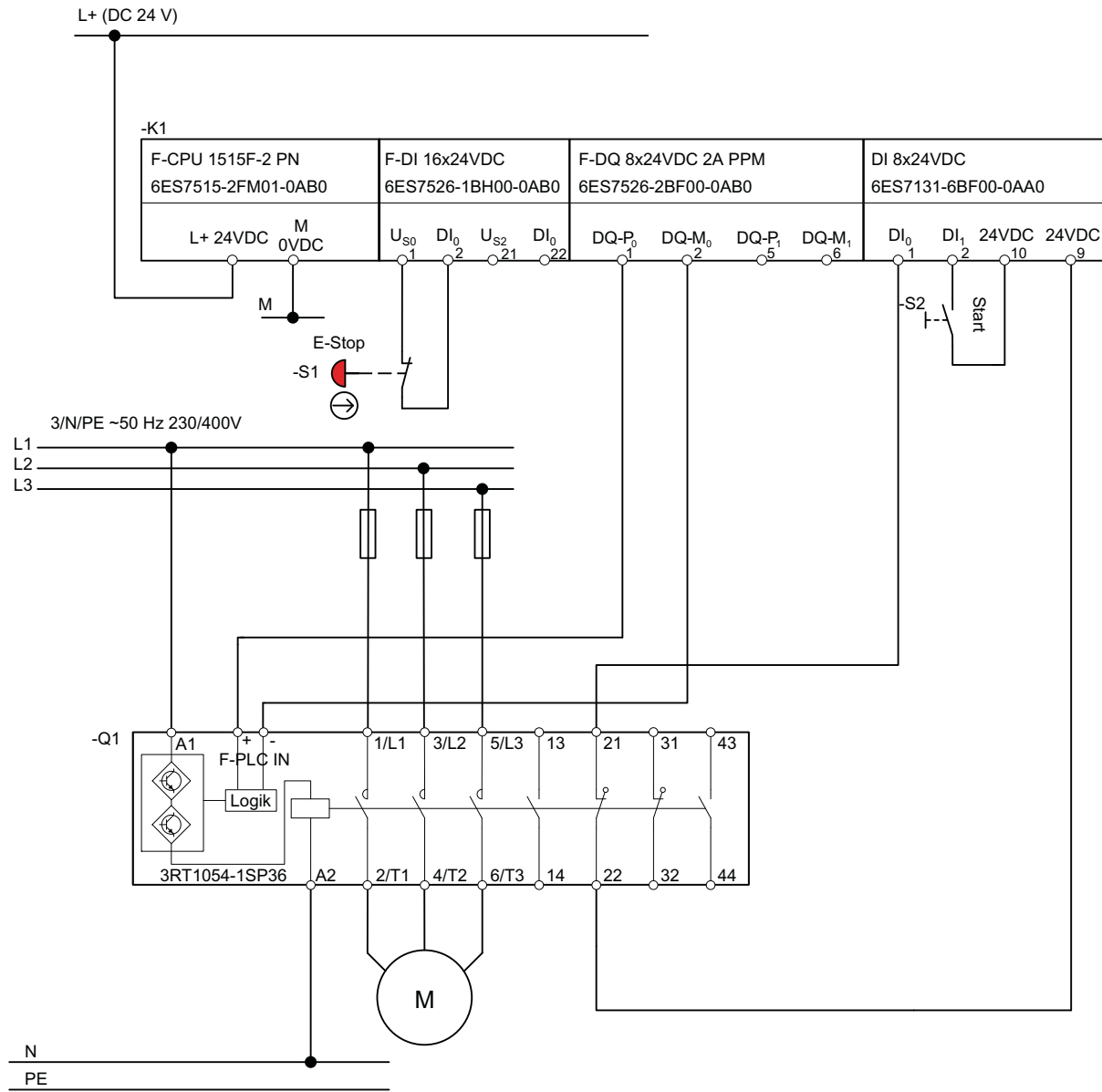
- ① Detection: EMERGENCY STOP
- ② Evaluation: SIMATIC S7-1500 automation system (fail-safe CPU for medium to large applications CPU 1515F-2 PN, digital input module F-DI, digital output module F-DQ, digital input module DI)
- ③ Reaction: 3RT1 contactor with fail-safe control input

Note

To achieve PL c for Cat. 2 according to EN ISO 13849-1, a warning must be displayed when there is a contactor malfunction.

Circuit diagram

| |
|---|
|  WARNING |
| SIL (Safety Integrity Level) Can Cause Death, Serious Injury, or Damage to Property. |
| In order to achieve SILCL 2 / Kat. 2 / PL c with this wiring, an appropriate encoder is required. |



- K1 SIMATIC 57-1500 automation system
- Q1 3RT1054-1SP36 contactor
- S1 EMERGENCY STOP (single-channel)
- S2 Start button

6.12 Operation of a motor in two directions of rotation (reversing contactor assembly)

Applications

A reversing contactor assembly is used to operate a motor in two directions of rotation. The starting characteristics correspond to those of a direct-on-line starter. When used in conjunction with the relevant protective devices, they facilitate the space-saving and compact assembly of fused and fuseless feeders.

On contactor assemblies with AC operation, 50/60 Hz, a changeover delay of 50 ms must be provided at operational voltages ≥ 500 V. At operational voltages ≥ 400 V, a changeover delay of 30 ms is recommended. These idle times do not apply to combinations with DC operation.

Variants and rated powers

The reversing contactor assemblies are available with a uniform power range of 3 kW to 250 kW (utilization category AC-3).

The reversing contactor assemblies of sizes S00 to S3 are available in two versions:

- Fully wired and tested with electrical and mechanical interlock
- Kit for self-assembly

Reversing contactor assemblies of sizes S6 to S12:

- Wiring kit for self-assembly

Reversing contactor assemblies of sizes S00 to S3:

For simplified connection to the controller, the SIRIUS modular system offers 3RA27 function modules with versions for connection via AS-Interface or IO-Link. In this case, the first contactor must be fitted with voltage tapping (special contactor version).

The diagram below shows the fully mounted 3RA23 reversing contactor assembly size S0 with a screw-type connection system.

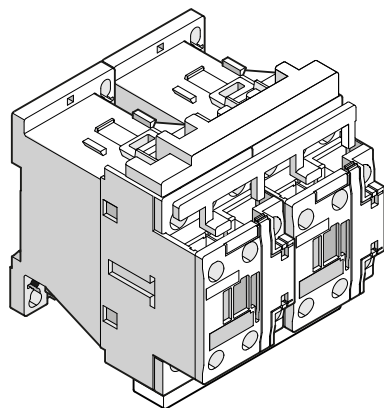


Figure 6-18 Reversing contactor assembly with screw-type connection system (size S0)

6.12 Operation of a motor in two directions of rotation (reversing contactor assembly)

Contactor selection for creating a reversing contactor assembly

Table 6-3 Screw connection

| Rated data AC-2, AC-3 and AC-3e at 50 Hz 400 V AC | | Size | Article number | | | |
|--|---------------------------|------|----------------|------------------------------------|----------------------------|---|
| Power | Operational current I_e | | Contactor | Mechanical interlock ¹⁾ | Assembly kit ²⁾ | Fully-wired and tested contactor assemblies |
| [kW] | [A] | | | | | |
| 3 | 7 | S00 | 3RT2015-1...2 | -- | 3RA2913-2AA 1 | 3RA2315-8XB30-1... |
| 4 | 9 | | 3RT2016-1...2 | | | 3RA2316-8XB30-1... |
| 5.5 | 12 | | 3RT2017-1...2 | | | 3RA2317-8XB30-1... |
| 7.5 | 16 | | 3RT2018-1...2 | | | 3RA2318-8XB30-1... |
| 5.5 | 12 | S0 | 3RT2024-1...0 | -- | 3RA2923-2AA 1 | 3RA2324-8XB30-1... |
| 7.5 | 16 | | 3RT2025-1...0 | | | 3RA2325-8XB30-1... |
| 11 | 25 | | 3RT2026-1...0 | | | 3RA2326-8XB30-1... |
| 15 | 32 | | 3RT2027-1...0 | | | 3RA2327-8XB30-1... |
| 18.5 | 38 | | 3RT2028-1...0 | | | 3RA2328-8XB30-1... |
| 18.5 | 41 | S2 | 3RT2035-1...0 | 3RA2934-2B | 3RA2933-2AA 1 | 3RA2335-8XB30-1... |
| 22 | 55 | | 3RT2036-1...0 | | | 3RA2336-8XB30-1... |
| 30 | 65 | | 3RT2037-1...0 | | | 3RA2337-8XB30-1... |
| 37 | 80 | | 3RT2038-1...0 | | | 3RA2338-8XB30-1... |
| 37 | 80 | S3 | 3RT2045-1...0 | 3RA2934-2B | 3RA2943-2AA 1 | 3RA2345-8XB30-1... |
| 45 | 95 | | 3RT2046-1...0 | | | 3RA2346-8XB30-1... |
| 55 | 110 | | 3RT2047-1...0 | | | 3RA2347-8XB30-1... |

¹⁾ The mechanical interlocking for sizes S00 / S0 cannot be ordered as an individual unit

²⁾ The assembly kit contains: Connecting clips for 2 contactors, wiring modules at top and bottom (main circuits, control circuits, as well as the mechanical interlock for the sizes S00 / S0)

Table 6-4 Spring-loaded connection

| Rated data AC-2, AC-3 and AC-3e at 50 Hz 400 V AC | | Size | Article number | | | |
|--|---------------------------|------|----------------|------------------------------------|--------------------------------|---|
| Power | Operational current I_e | | Contactor | Mechanical interlock ¹⁾ | Assembly kit ²⁾ | Fully-wired and tested contactor assemblies |
| [kW] | [A] | | | | | |
| 3 | 7 | S00 | 3RT2015-2...2 | -- | 3RA2913-2AA 2 ²⁾ | 3RA2315-8XB30-2... |
| 4 | 9 | | 3RT2016-2...2 | | | 3RA2316-8XB30-2... |
| 5.5 | 12 | | 3RT2017-2...2 | | | 3RA2317-8XB30-2... |
| 7.5 | 16 | | 3RT2018-2...2 | | | 3RA2318-8XB30-2... |

6.12 Operation of a motor in two directions of rotation (reversing contactor assembly)


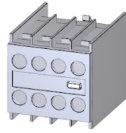
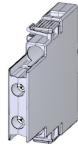
| Rated data AC-2, AC-3 and AC-3e at 50 Hz 400 V AC | | Size | Article number | | | |
|---|---|------|----------------|------------------------------------|--------------------------------|---|
| Power [kW] | Operational current I _e [A] | | Contactor | Mechanical interlock ¹⁾ | Assembly kit ²⁾ | Fully-wired and tested contactor assemblies |
| 5.5 | 12 | S0 | 3RT2024-2...0 | -- | 3RA2923-2AA 2 ³⁾ | 3RA2324-8XB30-2... |
| 7.5 | 16 | | 3RT2025-2...0 | | | 3RA2325-8XB30-2... |
| 11 | 25 | | 3RT2026-2...0 | | | 3RA2326-8XB30-2... |
| 15 | 32 | | 3RT2027-2...0 | | | 3RA2327-8XB30-2... |
| 18.5 | 38 | | 3RT2028-2...0 | | | 3RA2328-8XB30-2... |
| 18.5 | 41 | S2 | 3RT2035-3...0 | 3RA2934-2B | 3RA2933-2AA 2 | -- |
| 22 | 55 | | 3RT2036-3...0 | | | |
| 30 | 65 | | 3RT2037-3...0 | | | |
| 37 | 80 | | 3RT2038-3...0 | | | |
| 37 | 80 | S3 | 3RT2045-3...0 | 3RA2934-2B | 3RA2943-2AA 2 | -- |
| 45 | 95 | | 3RT2046-3...0 | | | |
| 55 | 110 | | 3RT2047-3...0 | | | |

- ¹⁾ The interlock can only be ordered with the kit
- ²⁾ The assembly kit contains: Mechanical interlock, connecting clips for 2 contactors, wiring modules on the top and bottom (main circuits, control circuits and auxiliary circuits)
- ³⁾ The assembly kit contains: Mechanical interlock, connecting clips for 2 contactors, wiring modules on the top and bottom (main circuits)

Auxiliary switch

The 3RA23 reversing contactor assembly can be fitted with various auxiliary switches (on the front or laterally). A maximum of 8 auxiliary contacts are permitted per reversing contactor assembly:

Table 6-5 Auxiliary switch combination options for the 3RA23 reversing contactor assembly

| 3RA23 reversing contactor assembly | | | | |
|------------------------------------|-------------------|---|--|---|
| Size | Possible versions | Front | | Lateral |
| | | 1-pole | 4-pole | 2-pole |
| | |  |  |  |
| S00 / S0 / S2 / S3 | 1 | 0 | 2 | 0 |
| | 2 | 2 | 0 | 2 |

Kit for reversing contactor assemblies of sizes S6 to S12

The following accessories for the basic units can also be used for the reversing contactor assemblies:

- Auxiliary switch 3RH1921 (on the front, lateral)

The following accessories are provided especially for the reversing contactor assemblies size S6:

- 3RA1953-2A
Wiring bars on the top and bottom for contactors without box terminals for connecting the main and auxiliary circuits with electrical interlock
- 3RA1932-2D
2 connectors for 2 contactors for the mechanical connection of 2 contactors
- 3RA1954-2A
Mechanical interlock
- 3RA1952-2A
Base plate for reversing contactor assemblies

The following accessories are provided especially for the reversing contactor assemblies size S10:

- 3RA1963-2A
Wiring bars on the top and bottom for contactors without box terminals for connecting the main and auxiliary circuits with electrical interlock
- 3RA1954-2A
Mechanical interlock
- 3RA1962-2A
Base plate for reversing contactor assemblies

The following accessories are provided especially for the reversing contactor assemblies size S12:

- 3RA1973-2A
Wiring bars on the top and bottom for contactors without box terminals for connecting the main and auxiliary circuits with electrical interlock
- 3RA1954-2A
Mechanical interlock
- 3RA1972-2A
Base plate for reversing contactor assemblies

6.12 Operation of a motor in two directions of rotation (reversing contactor assembly)

Typical main circuit

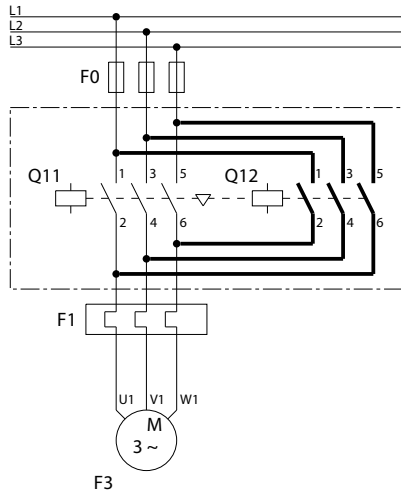


Figure 6-19 Main circuit of the reversing contactor assembly

Typical control circuit

Table 6-6 Typical control circuit of the reversing contactor assembly

| Pushbutton switch control | Maintained-contact operation |
|---------------------------|------------------------------|
| | |

Table 6-7 Legend - Typical control circuit of the reversing contactor assembly

| Abbreviation | Explanation |
|--------------|--|
| S0 | "OFF" button |
| S1 | "ON - Clockwise rotation" button |
| S2 | "ON - Counterclockwise rotation" button |
| S | "Clockwise - Off - Counterclockwise" selector switch |
| Q11 | Clockwise rotation contactor |

6.13 Starting three-phase motors with reduced starting current peaks (contactor assembly for star-delta (wye-delta) start)

| Abbreviation | Explanation |
|--------------|-------------------------------------|
| Q12 | Counterclockwise rotation contactor |
| F1 | Fuses for main circuit |
| F2 | Overload relay |
| F3 | Fuses for control circuit |

6.12.1 Reference

Reference

| More information ... | Can be found in the chapter titled ... |
|--|--|
| About the components for self-assembly of the reversing contactor assemblies | Assembly kit for reversing contactor assembly (sizes S00 to S3) (Page 370) and wiring kit for reversing contactor assemblies (sizes S6 to S12) (Page 387). |
| About the function modules that can be attached to a reversing contactor assembly with communication interface | 3RA27 function modules for connection to the controller (AS-Interface or IO-Link). (Page 369) |

6.13 Starting three-phase motors with reduced starting current peaks (contactor assembly for star-delta (wye-delta) start)

Applications

A contactor assembly for star-delta (wye-delta) start is used for starting three-phase motors requiring a reduction in system load and prevention of false tripping of protection equipment as a result of excessively high current peaks. With this circuit type, the motor's starting current is reduced by 1/3 (proportional load torque) compared with direct startup.

Note

Increased current peaks

When switching over from star operation to delta operation, the motor may be subjected to compensation processes (fueled by an unfavorable line frequency/rotor field constellation), which would result in higher current peaks than would be the case if the stationary motor were connected directly in the delta circuit. This must be taken into account when configuring a contactor assembly for star-delta (wye-delta) start.

For detailed information, please refer to section "Technical background information (Page 151)"

6.13 Starting three-phase motors with reduced starting current peaks (contactor assembly for star-delta (wye-delta) start)

Note

The preferred wiring for the 3RA24 contactor assembly minimizes this effect.

The 3RA24 contactor assemblies for star-delta (wye-delta) start described below have been dimensioned for standard applications.

Note

Contactor assemblies for star-delta (wye-delta) start for special applications, such as very heavy starting or star-delta (wye-delta) startup of special motors, must be customized. When dimensioning contactor assemblies for special applications such as these you can obtain support from Technical Support (<https://support.industry.siemens.com/My/ww/en/requests>).

Variants and rated powers

The contactor assemblies for star-delta (wye-delta) start are available with a power range of 5.5 kW to 500 kW (utilization category AC-3).

The 3RA24 contactor assembly for star-delta (wye-delta) start of sizes S00 to S3 (up to 90 kW) is available in two versions:

- Fully wired and tested with electrical and mechanical interlock
- Kit for self-assembly

Contactor assemblies for star-delta (wye-delta) start of sizes S6 to S12 (up to 500 kW):

- Wiring kit for self-assembly

The SIRIUS modular system offers 3RA27 function modules for connection to the automation level; they are fitted with terminals for connection to AS-Interface or IO-Link.

Note

We recommend installing contactor assemblies on a mounting plate. The mounting plate can be ordered as an individual unit. (Extension can be used for 3RP25 / 3RP15).

Note

If a contactor assembly for star-delta (wye-delta) start is to be connected to a control for communication capability, select a communication-capable contactor (3RT2...-.....-0CC0).

Note

With the 3RA24 contactor assembly for star-delta (wye-delta) start, the auxiliary switches integrated in the contactor can still be used. Additional auxiliary switches cannot be fitted with the function modules attached.

The function module replaces all the wiring in the control circuit and can be used in the voltage range from 24 to 240 V AC/DC. The changeover delay of 50 ms (timing relay functionality) is already integrated in the star-delta (wye-delta) function module.

6.13 Starting three-phase motors with reduced starting current peaks (contactor assembly for star-delta (wye-delta) start)

The illustration below shows the 3RA24 contactor assemblies for star-delta (wye-delta) start without a communication connection in size S0 with a screw-type connection system:

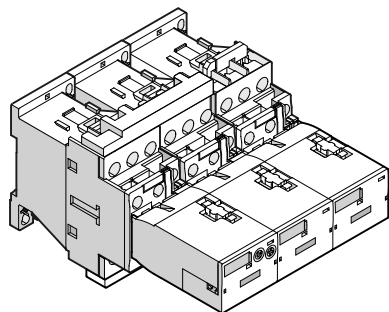


Figure 6-20 Contactor assembly for star-delta (wye-delta) start with screw-type connection system without a communication connection (size S0)

Contactor selection for configuring a contactor assembly for star-delta (wye-delta) start

The 3RA24 contactor assemblies have screw or spring-loaded connections and are suitable for screw and or snap-on mounting on a TH 35 mounting rail. With the fully-wired and tested 3RA24 contactor assemblies, the auxiliary contacts included in the basic devices are freely available.

The contactor assemblies in sizes S2 to S3 are always supplied with a mounting plate.

Table 6-8 Screw connection

| Rated data for 50 Hz 400 V AC | | | Size | Article number | | |
|----------------------------------|-------------------------------|-------------------|-------------|------------------------|----------------|--------------------|
| Power [kW] | Operational current I_e [A] | Motor current [A] | | Line / delta contactor | Star contactor | Complete assembly |
| 5.5 | 12 | 9.5 ... 13.8 | S00-S00-S00 | 3RT2015-1.... | 3RT2015-1.... | 3RA2415-8XF31-1... |
| 7.5 | 16 | 12.1 ... 17 | | 3RT2017-1.... | 3RT2015-1.... | 3RA2416-8XF31-1... |
| 11 | 25 | 19 ... 25 | | 3RT2018-1.... | 3RT2016-1.... | 3RA2417-8XF31-1... |
| 11 | 25 | 19 ... 25 | S0-S0-S0 | 3RT2024-1...0 | 3RT2024-1...0 | 3RA2423-8XF32-1... |
| 15 | 32 | 24.1 ... 34 | | 3RT2026-1...0 | 3RT2024-1...0 | 3RA2425-8XF32-1... |
| 18.5 | 40 | 34.5 ... 40 | | 3RT2026-1...0 | 3RT2024-1...0 | 3RA2425-8XF32-1... |
| 22 | 50 | 31 ... 43 | | 3RT2027-1...0 | 3RT2026-1...0 | 3RA2426-8XF32-1... |
| 22 / 30 | 45 / 60 | 31 ... 43 | S2-S2-S0 | 3RT2035-1...0 | 3RT2026-1...0 | 3RA2434-8XF32-1... |
| 37 | 80 | 62.1 ... 77.8 | | 3RT2035-1...0 | 3RT2027-1...0 | 3RA2435-8XF32-1... |
| 45 | 86 | 69 ... 86 | | 3RT2036-1...0 | 3RT2028-1...0 | 3RA2436-8XF32-1... |
| 55 | 115 | 77.6 ... 108.6 | S2-S2-S2 | 3RT2037-1...0 | 3RT2035-1...0 | 3RA2437-8XF32-1... |
| 55 | 115 | 77.6 ... 108.6 | S3-S3-S2 | 3RT2045-1...0 | 3RT2035-1...0 | 3RA2444-8XF32-1... |
| 75 | 150 | 120.7 ... 150 | | 3RT2045-1...0 | 3RT2036-1...0 | 3RA2445-8XF32-1... |
| 90 | 160 | 86 ... 160 | | 3RT2046-1...0 | 3RT2037-1...0 | 3RA2446-8XF32-1... |

Configuration

6.13 Starting three-phase motors with reduced starting current peaks (contactor assembly for star-delta (wye-delta) start)

Table 6-9 Spring-loaded connection

| Rated data for 50 Hz 400 V AC | | | Size | Article number | | |
|----------------------------------|-------------------------------|-------------------|-------------|------------------------|----------------|--------------------|
| Power [kW] | Operational current I_e [A] | Motor current [A] | | Line / delta contactor | Star contactor | Complete assembly |
| 5.5 | 12 | 9.5 ... 13.8 | S00-S00-S00 | 3RT2015-2... | 3RT2015-2... | 3RA2415-8XF31-2... |
| 7.5 | 16 | 12.1 ... 17 | | 3RT2017-2... | 3RT2015-2... | 3RA2416-8XF31-2... |
| 11 | 25 | 19 ... 25 | | 3RT2018-2... | 3RT2016-2... | 3RA2417-8XF31-2... |
| 11 | 25 | 19 ... 25 | S0-S0-S0 | 3RT2024-2...0 | 3RT2024-2...0 | 3RA2423-8XF32-2... |
| 15 | 32 | 24.1 ... 34 | | 3RT2026-2...0 | 3RT2024-2...0 | 3RA2425-8XF32-2... |
| 18.5 | 40 | 34.5 ... 40 | | 3RT2026-2...0 | 3RT2024-2...0 | 3RA2425-8XF32-2... |
| 22 | 50 | 31 ... 43 | | 3RT2027-2...0 | 3RT2026-2...0 | 3RA2426-8XF32-2... |
| 22 / 30 | 45 / 60 | 31 ... 43 | S2-S2-S0 | 3RT2035-3...0 | 3RT2026-2...0 | -- |
| 37 | 80 | 62.1 ... 77.8 | | 3RT2035-3...0 | 3RT2027-2...0 | -- |
| 45 | 86 | 69 ... 86 | | 3RT2036-3...0 | 3RT2028-2...0 | -- |
| 55 | 115 | 77.6 ... 108.6 | S2-S2-S2 | 3RT2037-3...0 | 3RT2035-3...0 | -- |
| 55 | 115 | 77.6 ... 108.6 | S3-S3-S2 | 3RT2045-3...0 | 3RT2035-3...0 | -- |
| 75 | 150 | 120.7 ... 150 | | 3RT2045-3...0 | 3RT2036-3...0 | -- |
| 90 | 160 | 86 ... 160 | | 3RT2046-3...0 | 3RT2037-3...0 | -- |

Note

The selection of contactor types refers to a fused design.

Connection example with spring-loaded connection and large conductors, e.g. with 6 mm² connection cross-section

For a contactor assembly for star-delta (wye-delta) start, e.g. 3RA2426-8XH32-2BB4 (22 kW, 50 A), it is possible to select the following connection type with a 6 mm² conductor cross-section:

- Remove the upper wiring modules to connect the main current paths between line contactor (Q 11) and delta contactor (Q 13).
- Separate infeed of line contactor (Q 11) and delta contactor (Q 13) with 6 mm² (permitted in a three-way network).
Two conductors per phase with 6 mm² conductor cross-section are connected to the central infeed short-circuit protection device and only one conductor per phase to the contactors.

Kit for contactor assemblies for star-delta (wye-delta) start, sizes S6 to S12

The contactor assemblies for star-delta (wye-delta) start are available as kits for self-assembly. The same accessories as for the basic units of the corresponding size can be used.

6.13 Starting three-phase motors with reduced starting current peaks (contactor assembly for star-delta (wye-delta) start)

The kit for contactor assemblies for star-delta (wye-delta) start contains the following:

- Neutral bridges
- Wiring module on the bottom (wiring module on the top is not included in the scope of supply. (A double infeed between the line contactor and the delta contactor is recommended.)

The following accessories for the basic units can also be used for the contactor assemblies for star-delta (wye-delta) starting:

- Auxiliary switch (on the front/side)
- Surge suppressors
- Solid-state time-delay auxiliary switches with star-delta (wye-delta) function (time relay)

In addition, special accessories are available for the contactor assemblies for star-delta (wye-delta) start:

- Neutral bridges (parallel connectors)
- Mechanical connectors
- Wiring modules
- Base plates for contactor assemblies for star-delta (wye-delta) start

6.13.1 Reference

Reference

| More information ... | Can be found in the chapter titled ... |
|--|---|
| About the components for customers to assemble their own contactor assemblies for star-delta (wye-delta) start | Assembly kit for contactor assemblies for star-delta (wye-delta) start (sizes S00 to S3) (Page 393) and Wiring kit for contactor assemblies for star-delta (wye-delta) start (sizes S6 to S12). (Page 426). |

6.13.2 Technical background information

Starting current ratio

Star-delta (wye-delta) startup can only be used if the motor normally operates in a delta connection or starts softly, or if the load torque is low and does not rise sharply during star startup. In the star (wye) stage motors can be subjected to around 50% (class CL16) or 30% (CL10) of their rated torque. The starting torque falls to about 1/3 of the relevant value during direct switch-on.

The starting current is approximately 2 to 2.7 times the rated motor current.

6.13 Starting three-phase motors with reduced starting current peaks (contactor assembly for star-delta (wye-delta) start)

Switching over

The switchover from star (wye) to delta cannot be carried out until the motor has been fully accelerated to the rated speed. The necessary changeover delay and interlock are integrated in the contactor assembly; drives which require this switchover to be performed earlier are not suitable for star-delta (wye-delta) start.

Reducing the switchover current peak by means of preferred wiring

During star-delta (wye-delta) switching of three-phase motors, the motor may be subjected to compensation processes, which would result in higher current peaks than would be the case if the stationary motor were connected directly in the delta circuit.

The worst-case scenario would lead to the following problems, which can be minimized by using preferred wiring:

- Tripping of short-circuit protection devices
- Welding or substantial contact erosion of the delta contactor
- High dynamic load on the motor

Using a favorable method of connection for the main circuit will reduce the equalizing currents and current peaks which occur when switching over from a star to a delta circuit.

Preferred wiring used

The phasor diagram below shows the voltages which occur in a motor running in the clockwise direction when switching over from star (wye) to delta. According to the preferred wiring, the motor terminals are connected correctly, i.e. phase L1 is connected to motor terminals U1 and V2, L2 to V1 and W2, and L3 to W1 and U2.

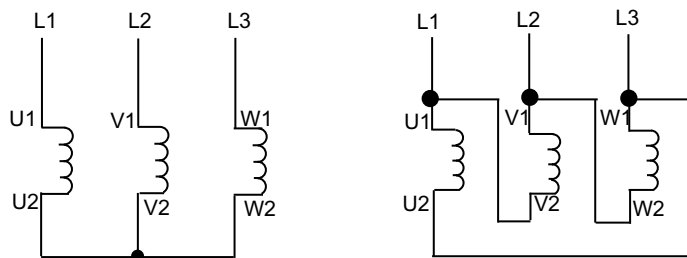
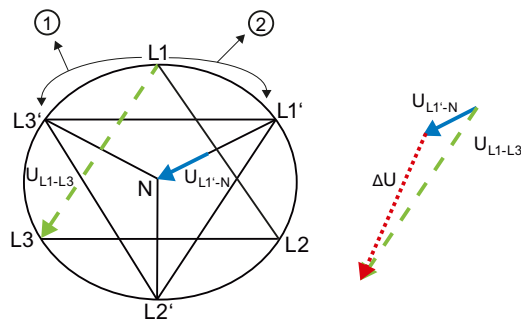


Figure 6-21 Correct connection of motor phases for clockwise rotation

6.13 Starting three-phase motors with reduced starting current peaks (contactor assembly for star-delta (wye-delta) start)



- 1 Rotating field
- 2 Rotor's overtravel during the current-free phase

Figure 6-22 Phasor diagram for star-delta switchover during clockwise rotation with motor phases connected correctly

During the current-free changeover delay, the rotor overtravels the rotating field. Its magnetic field induces a decaying residual voltage, entered here in the voltage phasor diagram for phase L1: $U_{L1'-N}$.

On switching to delta (see diagrams above), the stator winding which is conducting this residual voltage is connected to the line voltage U_{L1-L3} . Thanks to the favorable vector position of the residual voltage $U_{L1'-N}$ and the line voltage U_{L1-L3} , which are roughly rectified, the differential voltage ΔU is relatively low. As a result, the current peak generated by this voltage will also remain low.

Preferred wiring not used

The motor also rotates clockwise if the motor terminals are connected as follows: phase L1 to motor terminals U1 and W2, L2 to V1 and U2, and L3 to W1 and V2.

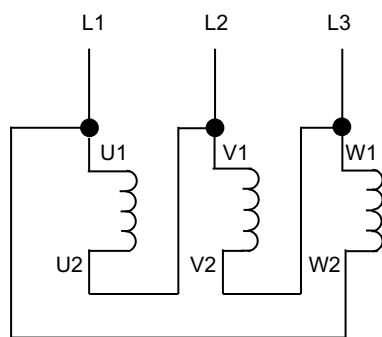


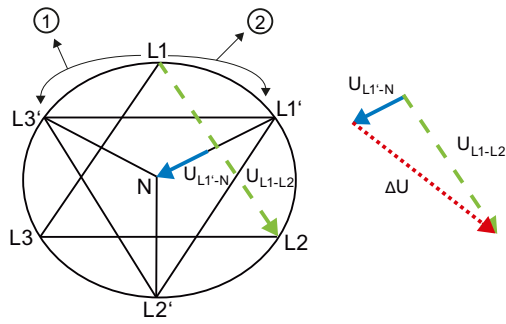
Figure 6-23 Motor phases connected incorrectly results in clockwise rotation

The remanent and decaying residual voltage becomes effective in the stator once more. The phase winding with phasor $U_{L1'-N}$ is now connected to the line phase U_{L1-L2} on switching to delta. However, these two voltages have totally different vectorial directions; differential voltage ΔU is high and produces a correspondingly high switchover current peak.

A switchover from star to delta results in the phasor diagram below.

Configuration

6.13 Starting three-phase motors with reduced starting current peaks (contactor assembly for star-delta (wye-delta) start)



- 1 Rotating field
- 2 Rotor's overtravel during the current-free phase

Figure 6-24 Phasor diagram for motor phase connections made according to the previous diagram results in a high switchover current peak

Changing the direction of rotation from clockwise to counterclockwise

Note

In order to set the motor to counterclockwise rotation, it is not simply a case of swapping over two phases at any location. This would result in the same conditions as those described for clockwise rotation.

The wiring must be performed as follows in order to keep the switchover current peak which occurs on switching from star (wye) to delta as low as possible here too:

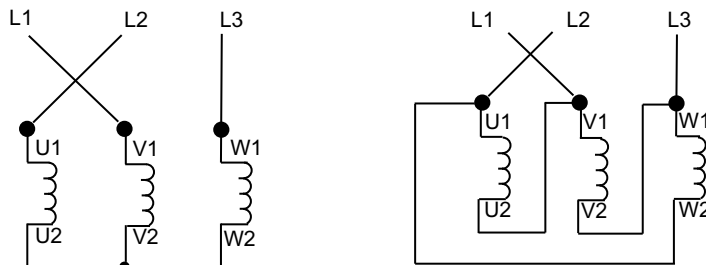


Figure 6-25 Correct connection of motor phases for counterclockwise motor rotation

Table 6-10 Device sizing during normal starting

| Star contactor | Line and delta contactor | Overload relay |
|-------------------------|--------------------------|-------------------------|
| $I_{motor} \times 0.33$ | $I_{motor} \times 0.58$ | $I_{motor} \times 0.58$ |

Note

If two phases are swapped over in the network in order to change the direction of rotation, the circuit is automatically changed/reversed from the most favorable to the least favorable.

6.13 Starting three-phase motors with reduced starting current peaks (contactor assembly for star-delta (wye-delta) start)

ϕ = switchover current factor = switchover current peak / starting current peak
 The switchover current factor has a theoretical maximum value of 2
 e. g. measured:
 Favorable circuit: $\phi = 0.8$
 Unfavorable circuit: $\phi = 1.37$

Note

See the main and control circuit wiring designs below; these depict the circuit diagrams for contactor assemblies for star-delta (wye-delta) start with clockwise and counterclockwise rotation according to the preferred wiring.

Main circuit

The diagram below shows the preferred main circuit wiring for a star-delta circuit, clockwise and counterclockwise rotation.

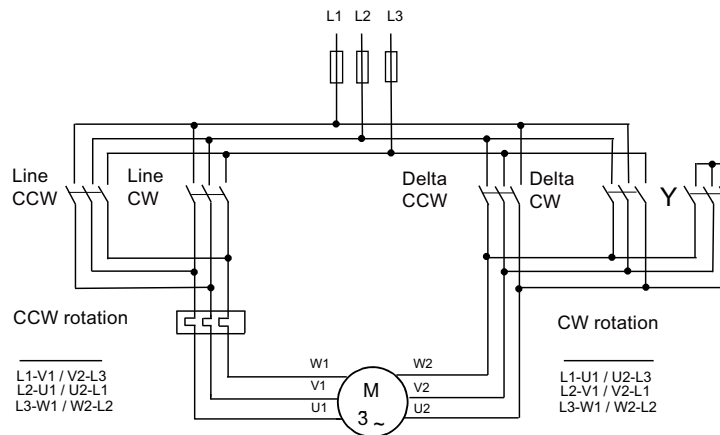


Figure 6-26 Main circuit of the contactor assembly for star-delta (wye-delta) start

Control circuit

The diagram below shows the control circuit for the main circuit depicted above.

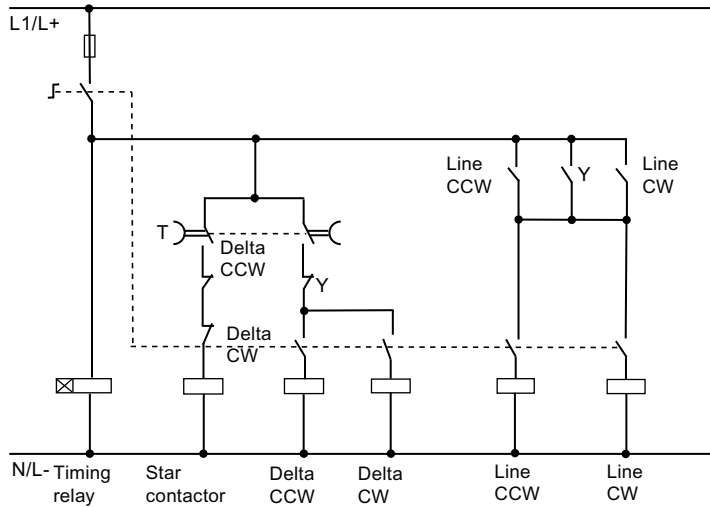


Figure 6-27 Control circuit of the contactor assembly for star-delta (wye-delta) start

6.14 Using long control cables

Malfunctions caused by long control cables

If long control cables are required for the control circuits of contactors or relays, malfunctions may occur during switching under certain conditions. As a result of these malfunctions, the contactors may no longer be able to switch on or off.

Switching on

Due to the voltage drop in long control cables, the control voltage applied to the contactor may fall below the threshold value at which the contactor switches on. This affects both DC- and AC-operated contactors.

The following counter-measures can be taken here:

- Changed circuit topology to allow the use of shorter control cables
- Increased conductor cross-section.
- Increased control voltage.
- Use of a contactor whose solenoid coil has a lower closing power.

Calculation of the maximum cable length:

The maximum permissible simple cable length l_{zul} can be roughly calculated using the equations given below.

Table 6-11 Calculating the cable length

| | For AC voltage | For DC voltage |
|--------------------|--|--|
| | $l_{zul} = \frac{5 \cdot U_s^2 \cdot u_{SL}}{R_{SL} \cdot P_{ein}}$ (in m) | $l_{zul} = \frac{5 \cdot U_s^2 \cdot u_{SL}}{R_{SL} \cdot P_{ein}}$ (in m) |
| U_s | Rated control voltage in V | |
| R_{SL} | Ohmic resistance per conductor and km of the control cable in Ω/km | |
| u_{SL} | Voltage drop on the control cable in % | |
| S_{ein}, P_{ein} | Closing power of the contactor in VA/W | |
| $\cos \phi_{ein}$ | Power factor of the contactor coil on switch-on | |

Note

A maximum cable voltage drop of $u_{SL} = 5\%$ is permitted for SIRIUS contactors.

6.14 Using long control cables

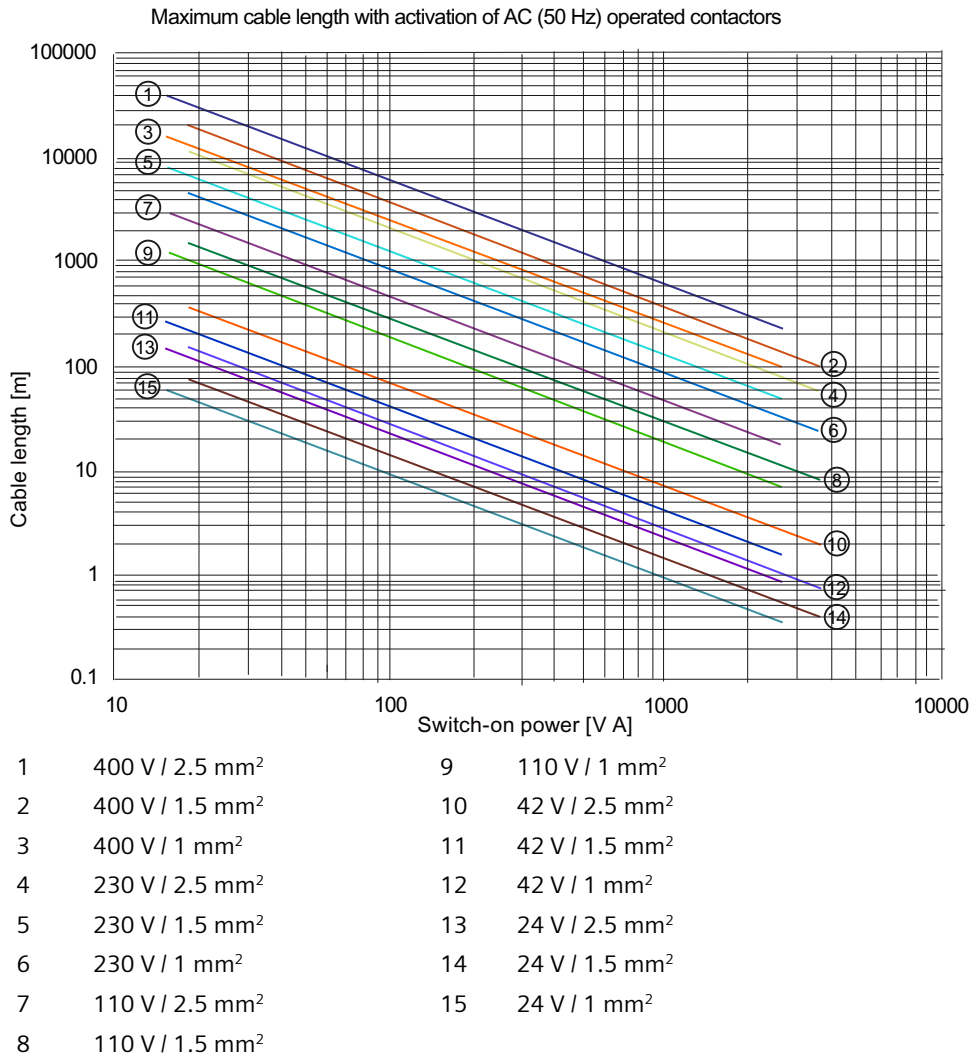
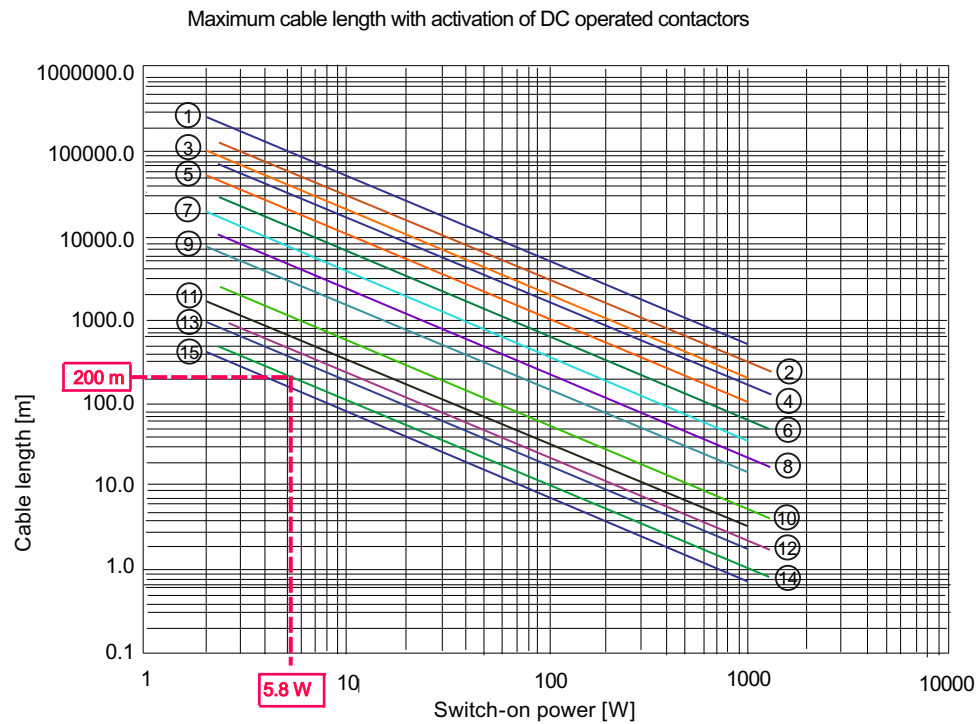


Figure 6-28 Graphical representation, switch-on



| | | | |
|---|-----------------------------|----|----------------------------|
| 1 | 400 V / 2.5 mm ² | 9 | 110 V / 1 mm ² |
| 2 | 400 V / 1.5 mm ² | 10 | 42 V / 2.5 mm ² |
| 3 | 400 V / 1 mm ² | 11 | 42 V / 1.5 mm ² |
| 4 | 230 V / 2.5 mm ² | 12 | 42 V / 1 mm ² |
| 5 | 230 V / 1.5 mm ² | 13 | 24 V / 2.5 mm ² |
| 6 | 230 V / 1 mm ² | 14 | 24 V / 1.5 mm ² |
| 7 | 110 V / 2.5 mm ² | 15 | 24 V / 1 mm ² |
| 8 | 110 V / 1.5 mm ² | | |

Figure 6-29 Graphical representation, switch-on - Example

Example for 3RT202. contactor:

- DC-operated
- 5.8 W switch-on power
- Cross-section of the control cable 1.5 mm²
- Maximum permissible control cable length: 200 m at 24 V

Switching off

During the switch-off of AC-operated contactors, the contactor may no longer switch off in case of control circuit interruption due to an excessive line capacity of the control cable.

The following counter-measures can be taken here:

- Changed circuit topology to allow the use of shorter control cables
- Application of DC-operated contactors.

Configuration

6.14 Using long control cables

- Reduced control voltage.
- Use of a contactor whose solenoid coil has a higher holding power.
- Parallel connection of an ohmic resistance for increased holding power.

| Sizing of the parallel resistance | Power of the additional resistance |
|---|------------------------------------|
| $R_p = \frac{1000}{C_L}$ (in Ω) | $P_p = \frac{U_s^2}{R_p}$ (in W) |

For reasons of cost effectiveness, P_p should be lower than 10 W.

Table 6-12 Calculation of the maximum cable length

| For pushbutton switch control | For maintained-contact operation |
|--|--|
| For pushbutton switch control with a three-core cable, a line capacity of 0.6 $\mu\text{F}/\text{km}$ ($2 \times 0.3 \mu\text{F}/\text{km}$) should be expected. | For maintained-contact operation with a two-core cable, a line capacity of 0.3 $\mu\text{F}/\text{km}$ should be expected. |
| | |
| $l_{perm} = \frac{500 \cdot S_H}{2 \cdot 0.3 \cdot U_s^2} 10^3$ (in m) | $l_{perm} = \frac{500 \cdot S_H}{0.3 \cdot U_s^2} 10^3$ (in m) |
| U_s Rated control supply voltage in V S_H Holding power of the contactor in VA | U_s Rated control supply voltage in V S_H Holding power of the contactor in VA |

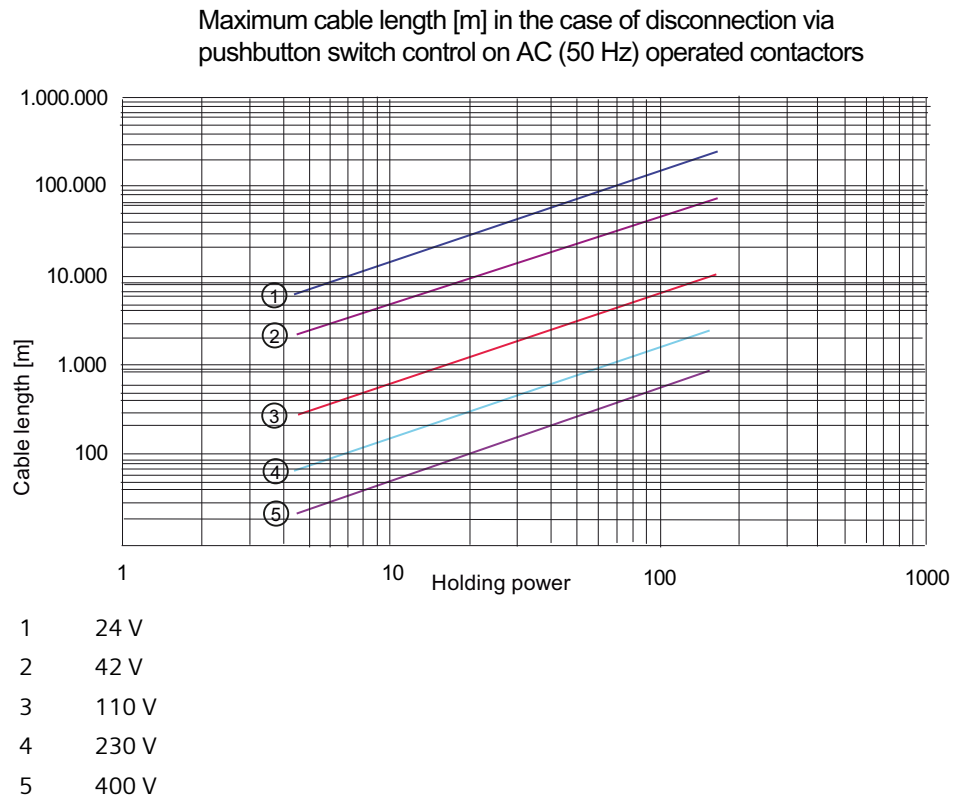


Figure 6-30 Graphical representation, switch-off

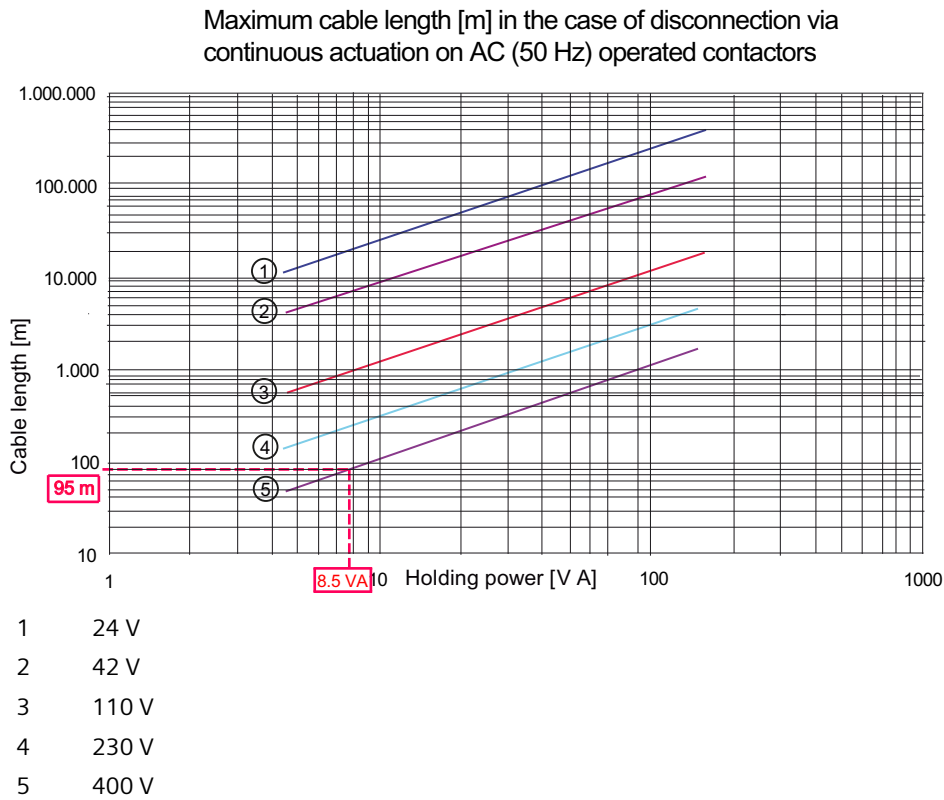


Figure 6-31 Graphical representation, switch-off - Example

Example for 3RT202. contactor:

- AC-operated
- 8.5 VA holding power
- Control voltage 400 V AC
- Maximum permissible control cable length: 95 m

6.15 Configuration notes for the use of contactors in the environment of frequency converters

All specifications apply only to device installations and system installations in which the respective device-specific installation guidelines are observed.

The application environment of the devices refers to non-public low-voltage networks or industrial networks or industrial plants including high-grade sources of interference.

6.15.1 Applications

6.15.1.1 Basic requirements

Using contactors upstream and downstream of frequency converters or inverters with pulsed voltage results in additional requirements for the selection of the devices.

Practical configuration notes for the following applications is provided below:

- Switching the motor currents with the contactor
- Routing the motor currents through the contactor and switching without load

For switching operation, the switching capacity values of the contactor according to the utilization categories AC-3, AC-3e or AC-4 are decisive. The current flow has a significant influence on the self-heating of the devices (AC-1).

The following chapters deal with heating and switching operation. For the correct selection of the contactor, both parameters must be taken into account.

In motor applications with a line frequency of 50 / 60 Hz, the switchgear may be operated upstream and downstream of the frequency converter. IEC 60947-4-1 requires the manufacturer to provide additional configuration notes, which are described in this chapter.

The configuration notes for the contactors are based on the assumption that planning, installation and operation are carried out in accordance with the relevant product guideline and installation guideline. The output voltages and output currents must comply with the normative distortion values (THDi / THDu) on the line side and the load side. On the load side (downstream of the frequency converter), nearly sinusoidal currents must be output.

For use at other positions in the network, e.g. in the DC link or in filters, the following configuration notes are not applicable.

In this case, submit your question directly to Technical Support (<https://support.industry.siemens.com/My/ww/en/requests>).

6.15.1.2 Contactor types and areas of application

Contactors are available for a wide variety of applications. In order to map the electrical requirements for the switching characteristics, the IEC 60947-4-1 standard defines utilization categories for which the manufacturers specify the maximum possible currents for the respective devices.

The following utilization category are the most important ones in frequency converter applications and motor applications:

- AC-1: Non-inductive or slightly inductive loads
- AC-3: Squirrel-cage motors: starting, switching off the motors while running, reversing
- AC-3e: Squirrel-cage motors with higher breakaway starting current: starting, switching off the motors while running, reversing
- AC-6b: Switching of capacitive loads

6.15 Configuration notes for the use of contactors in the environment of frequency converters

In the vicinity of frequency converters, a basic distinction must be made as to whether the contactors are to be used on the line side upstream of the frequency converter or on the load side between the frequency converter and the motor.

On the line side (upstream of the frequency converter), the contactors are often designed according to utilization category AC-1, since current-free connection and disconnection is usually performed, or the current must be conducted. In this case, the contactor is usually only used for electrical supply disconnection, which means that, in addition to the disconnection, capacitive reactive currents can also be avoided in standby mode when the converter input circuits are not connected.

Downstream of the frequency converter (on the load side facing the motor), there are two typical applications:

- Use of contactors for disconnection as well as for galvanic isolation: Dimensioning according to utilization category AC-1 (use of contactors upstream of the frequency converter)
- Use of the contactors for switching and/or protection under normal operating conditions: Dimensioning according to the switching requirements (e.g. AC-3 or AC-3e)

Furthermore, contactors are used as bypass switchgear for the frequency converter. This is done for energy efficiency reasons if the frequency converters are used for controlled start-up or run-down and to increase the availability of the drive. Since the motor load is actively switched here, the contactors must be designed according to utilization category AC-3 or AC-3e.

The AC-1 contactors 3RT14, 3RT24, 3RT13 and 3RT23 are primarily designed for non-inductive or low-inductive loads. The contactors are suitable for carrying current upstream of the frequency converter. The devices are less resistant to current peaks (e.g. inrush current, charging peaks due to capacitors). Current peaks are avoided by means of special charging circuits. If the charging circuits are inadequate or fail, welding of the main contacts may occur.

Vacuum contactors are only approved for frequencies > 45 Hz and must never be used and operated in systems < 45 Hz.

- 3RT126 and 3RT127 vacuum contactors
- 3TF6 vacuum contactors

For use at frequencies > 60 Hz, please send your question directly to Technical Support (<https://support.industry.siemens.com/My/ww/en/requests>).

6.15.1.3 Necessary information for configuration

The line system and voltage level are required for configuring. In addition, further functions must be specified, e.g. de-energized connection and disconnection, switching of overload conditions, or integration in EMERGENCY STOP circuits.

Frequency converter

- Adjustable output frequency of the frequency converter, e.g.: 30 to 400 Hz
- Maximum current consumption or voltage and current depending on the control method including the maximum starting current that can be output

6.15 Configuration notes for the use of contactors in the environment of frequency converters

- Input circuit of the frequency converter (diode circuit, IGBT, regenerative capability) and specification of the harmonic component
- Filters present in the input circuit and also in the output circuit (dv/dt filter for voltages, sine-wave filter for currents)

Motor data - load operated with the frequency converter

- Frequency or frequency range for the application (speed range)
- Motor power and motor load
- Maximum voltage, maximum current and maximum power consumption in the speed range (possibly also for short-time overload, e.g. break loose torque)
- Switching or carrying the load currents
- Ambient conditions (e.g. temperature, dust, vibrations, altitude)

6.15.2 Configuration upstream of the frequency converter (on the line side)

6.15.2.1 Technical background information for configuration upstream of the frequency converter (on the line side)

If the contactor is operated on the line side upstream of a frequency converter, the frequency converter is primarily used to conduct current and for electrical isolation (line contactor). The contactor usually switches without load. The contactor is switched on and the frequency converter starts to operate. Thus, the contactor must be designed according to utilization category AC-1.

Due to the type of input circuitry of the converter (diodes, thyristors), harmonics with the known multiples of the line frequency $f_n \cdot p \pm 1$ (5th/7th, 11th/13th, 17th/19th) occur.

The harmonics generate higher, thermally equivalent total currents and have a direct influence on current path heating and switchgear heating. For this reason, the switchgear must be selected according to the higher total currents. This also applies to the entire cabling.

Frequency converters contain DC link capacitors that cause high peak inrush currents. In most cases, the peak inrush currents are avoided by internal charging circuits in the converter.

If there are no charging circuits, if the charging circuits can become defective, or if the charging circuits are not activated in the event of short-time voltage dips/voltage interruptions, this situation must be taken into account in when dimensioning the contactors. The utilization category AC-6b is decisive in this case.

In rare cases, the switching device may also have to switch off the load current or the overload current (e.g. EMERGENCY STOP). Observe the switching capacity values according to AC-3 / AC-3e of the switching devices.

6.15.2.2 Dimensioning of the contactors taking harmonics into account

When operating the switching device on the line side, a fixed fundamental frequency of 50 or 60 Hz is assumed. The fundamental frequency is additionally loaded with harmonic components by the input circuit of the frequency converter. This is due to the non-linearity of the diodes in the input circuit in connection with the charging / recharging processes of the DC link capacitor. Since the inductance of the DC link capacitor is low on the line side of the converter, hardly any current smoothing takes place.

The harmonics generate higher total currents and, at high frequencies, additional skin effects in and between the conductors. The skin effects cause additional heating of the device current paths during uninterrupted duty. For contactor dimensioning, consider the thermally effective total current.

Using the device-specific derating factors, check whether the contactor can permanently carry the increased thermal total current.

The test is possible if the fundamental frequency fulfills the following characteristics:

- The fundamental frequency is between 16.7 and 400 Hz
- The harmonic components are < 40% of the total rms current
- Significant harmonics are at most in the range 5th harmonic to 19th harmonic.

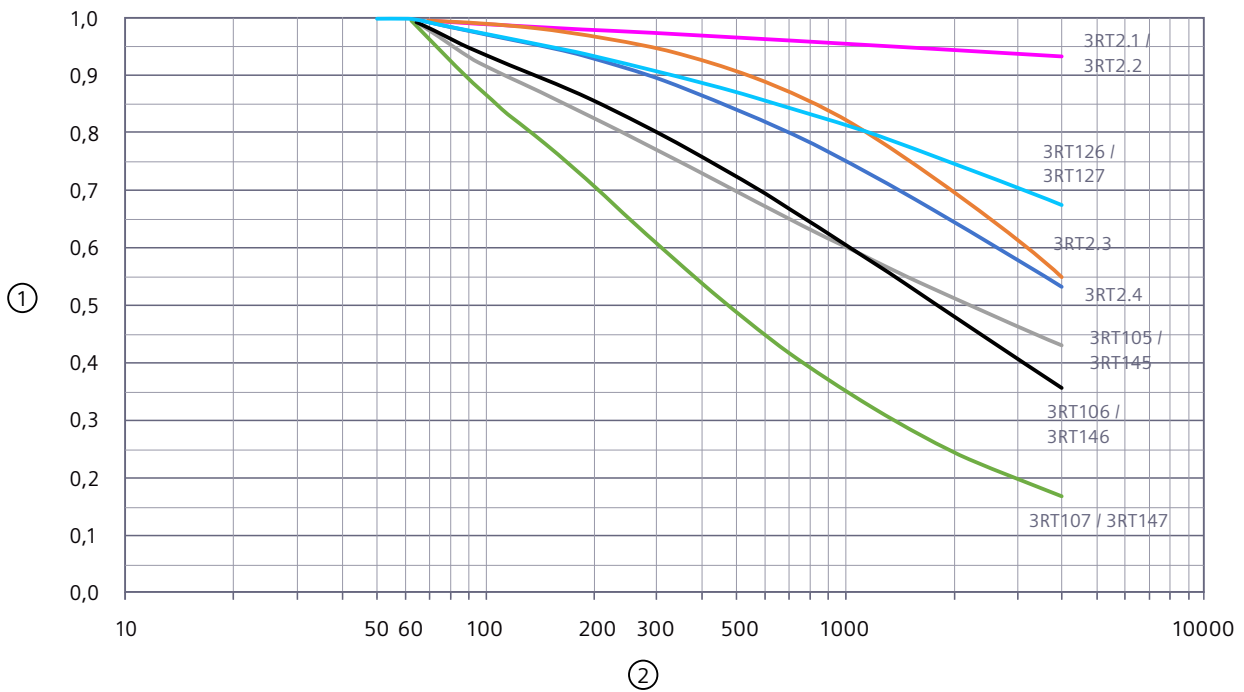
The following derating factors are applied:

- Derating factor "Network" for the fundamental frequency of the network
This factor considers higher fundamental frequencies of the network. Up to a fundamental frequency of 60 Hz, the factor is equal to 1. The factor is lower for fundamental frequencies up to a maximum of 400 Hz. Fundamental frequencies above 400 Hz are not possible.
- Derating factor "Harmonic component (THD)" for the proportion of superimposed harmonics with regard to the fundamental frequency
The harmonics cause a distortion of the sinusoidal currents and at the same time increase the thermally effective total current.

The following graphics show derating factors of the 3RT1 / 3RT2 contactors.

The derating factors refer to the device-specific rated operational currents I_{eAC-1} for uninterrupted duty.

6.15 Configuration notes for the use of contactors in the environment of frequency converters



- 3RT2.1 / 3RT2.2
- 3RT2.3
- 3RT2.4
- 3RT105 / 3RT145
- 3RT106 / 3RT146
- 3RT107 / 3RT147
- 3RT126 / 3RT127

- ① Derating factor
- ② Frequency [Hz]

Figure 6-32 Derating factors of the contactors 3RT1 / 3RT2 (with box terminal 3RT2.4 or higher) at higher fundamental frequencies or harmonics

6.15 Configuration notes for the use of contactors in the environment of frequency converters

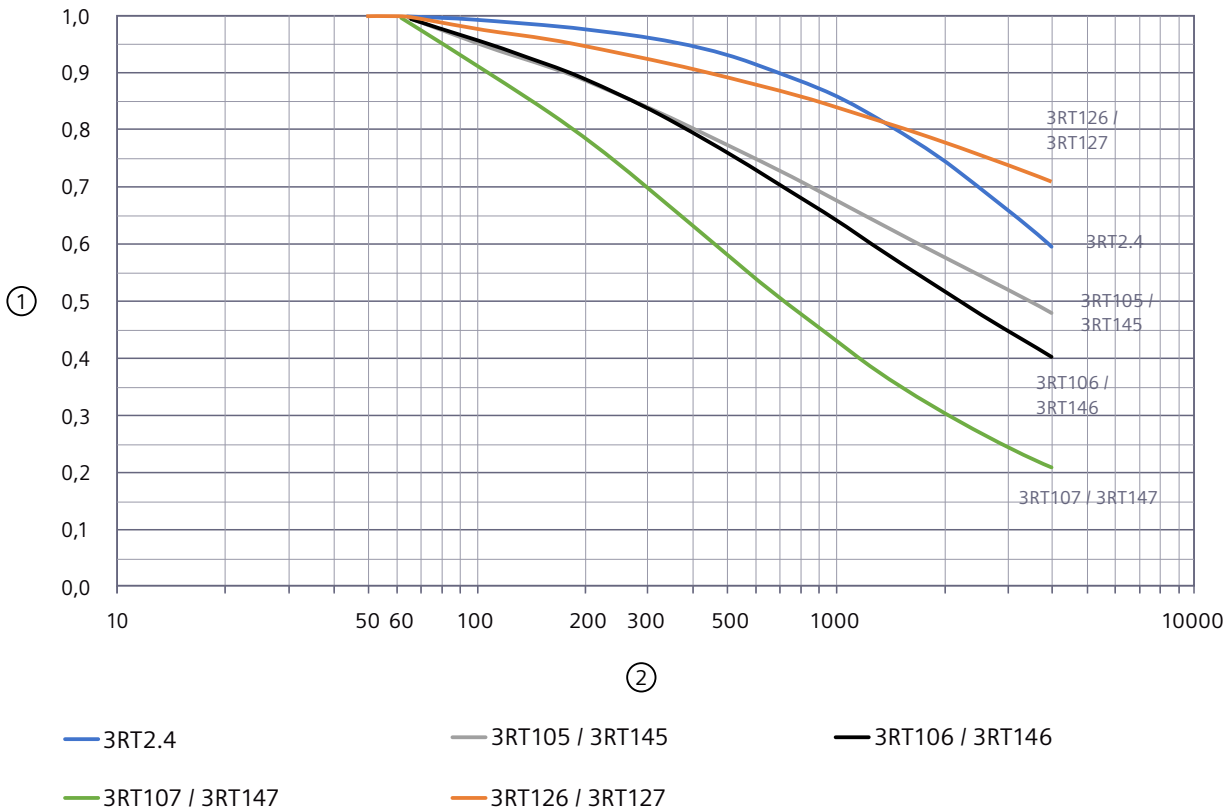


Figure 6-33 Derating factors of the contactors 3RT1 / 3RT2.4 (without box terminal) at higher fundamental frequencies or harmonics

Derating factor for unknown frequency mixtures (heating)

For unknown frequency mixtures, a practical value of 0.8 is applied for the derating factor "Harmonic component (THD)". If the line frequency exceeds 60 Hz, additionally apply the derating factor "Network" using the figures "Derating factors of 3RT1 / 3RT2 (with box terminal from 3RT2.4) at higher fundamental frequencies or harmonics (Page 166)" or "Derating factors of 3RT1 / 3RT2.4 contactors (with box terminal) at higher fundamental frequencies or harmonics (Page 166)".

Example 1

Current consumption of the converter at full load: $I_e = 110 \text{ A}$, line frequency $f = 50 \text{ Hz}$

Possible contactor: 3RT2446 ($I_{eAC-1} = 140 \text{ A}$, up to 690 V at $T_u \text{ max.} = 40 \text{ °C}$)

- Derating factor "Network" ($f = 50 \text{ Hz}$): 1.0
- Derating factor "Harmonic component (THD)" for unknown frequency mixture: 0.8
- Total derating factor: $1.0 \cdot 0.8 = 0.8$
- Thermally effective total current: $110 \text{ A} / 0.8 = 137.5 \text{ A}$

6.15 Configuration notes for the use of contactors in the environment of frequency converters

Result:

The 3RT2446 contactor can carry the thermally effective total current of 137.5 A for the frequency converter (without taking other application data into account).

Example 2

Current consumption of the converter at full load: $I_e = 110$ A, line frequency of $f = 400$ Hz

Possible contactor: 3RT2446 ($I_{e,AC-1} = 140$ A, up to 690 V at T_u max. = 40 °C)

- Derating factor "Network" ($f = 400$ Hz): 0.86 (see graphic "Derating factors of the 3RT1 / 3RT2.4 contactors (without box terminal) at higher fundamental frequencies or harmonics (Page 166)")
- Derating factor "Harmonic component (THD)" for unknown frequency mixture: 0.8
- Total derating factor: $0.86 \cdot 0.8 = 0.688$
- Thermally effective total current: $110 \text{ A} / 0.688 = 160 \text{ A}$

Result:

The 3RT2446 contactor is not sufficient for the thermally effective total current of 160 A. For this application, the next larger contactor 3RT2448 ($I_{e,AC-1} = 160$ A) is required (without considering further application data).

Derating factors for known frequency mixtures

With known frequency mixtures, e.g. frequency of harmonics and their amplitudes, a more detailed calculation can be performed. The required information is partly provided by the manufacturers of the frequency converter. Since the concrete values also depend on the concrete load conditions and impedance conditions, the values should be determined, e.g. with devices for network analysis.

The frequency mixtures are to be added geometrically based on their amplitude in the respective frequency to calculate the resulting total current.

To further account for eddy currents and skin effects in the device, the frequency-dependent derating factors must also be taken into account. The frequency-dependent derating factors determine the thermally effective total current. The total current must be below the rated current ($I_{e,AC-1}$) for the selected contactor.

Calculation example for the 3RT2446 contactor

A suitable contactor is to be selected for the harmonic operational current of 110 A shown in the following table.

| Harmonic number (1 ° fundamental component) | 1 50 Hz | 5 250 Hz | 7 350 Hz | 11 550 Hz | 13 650 Hz | 17 850 Hz | 19 950 Hz |
|---|------------|-------------|-------------|--------------|--------------|--------------|--------------|
| Component of the harmonic related to the fundamental component | 100% | 50% | 20% | 9% | 5% | 4% | 4% |
| rms values of the individual oscillations (as an example: basic operational current = 110 A) | 110 A | 55 A | 22 A | 9.9 A | 5.5 A | 4.4 A | 4.4 A |

6.15 Configuration notes for the use of contactors in the environment of frequency converters

| Harmonic number (1 ° fundamental component) | 1 50 Hz | 5 250 Hz | 7 350 Hz | 11 550 Hz | 13 650 Hz | 17 850 Hz | 19 950 Hz |
|--|------------|--|-------------|--------------|--------------|--------------|--------------|
| Effective total current | 125.6 A | $I_{\text{eff}} = \sqrt{110^2 + 55^2 + 22^2 + 9.9^2 + 5.5^2 + 4.4^2 + 4.4^2}$ | | | | | |
| Pre-selection of a possible contactor, ($I_{\text{AC-1}}$ current greater than the effective total current) | 140 A | 3RT2446 contactor $I_{\text{e AC-1}} = 140 \text{ A}$, up to 690 V at $T_u \text{ max.} = 40 \text{ °C}$ | | | | | |
| Derating factor per harmonic component for this contactor ¹⁾ | 1.0 | 0.910 | 0.875 | 0.825 | 0.810 | 0.77 | 0.75 |
| Current of the respective harmonic divided by its derating factor (effective thermal effect) | 110 A | 60.4 A | 25.1 A | 12.0 A | 6.8 A | 5.7 A | 5.9 A |
| Thermally effective total current for this harmonic mixture and the selected contactor | 129.0 A | $I_{\text{eff}} = \sqrt{110^2 + 60.4^2 + 25.1^2 + 12.0^2 + 6.8^2 + 5.7^2 + 5.9^2}$ | | | | | |
| Resulting derating factor for the operational current of the selected contactor (in the example for 3RT2446) | 0.853 | $k_{\text{Derating}} = 110 \text{ A} / 129 \text{ A}$ | | | | | |

¹⁾ See figure "Derating factors of the 3RT1 / 3RT2.4 contactors (without box terminal) at higher fundamental frequencies or harmonics (Page 166)" for 3RT2.4 contactor

Result

The thermally effective total current in this example is 129 A. This corresponds to a derating factor of 0.853 with regard to the basic operational current of 110 A.

The preselected 3RT2446 contactor is capable of carrying this current, as it is below the maximum possible continuous current of 140 A.

6.15.2.3 Switching of capacitive currents

Frequency converters with pre-charging input circuits

The dimensioning of the contactors is necessary with regard to the AC-1 utilization category. The charging currents of the DC link capacitors correspond to the specified values of the frequency converter, mostly the maximum current consumption.

Note

In the past, there have been malfunctions of the charging circuits in the event of a short-term interruption of the line voltage. In the process, the capacitor is discharged by the motor. When the voltage returned, the charging circuit was not activated in time by the converter, so that high charging currents occurred.

Frequency converters without pre-charging input circuits

If no charging circuits are available, the use of motor contactors is recommended, since motor contactors have a significantly higher making capacity.

Note

An alternative to motor contactors are 3RT26 capacitor contactors. Capacitor contactors are used for switching capacitors in switchgear. Capacitor contactors are well suited for modern converter architectures with relatively small DC link capacitors.

With larger DC link capacitors, this advantage is lost because the peak inrush current is attenuated for 5 ms. For larger capacitors, a field test is required.

For motor contactors, the utilization category AC-3 or AC-3e must be used in principle for the corresponding line voltage.

If the maximum value of the charging current peak \hat{I}_{CL} is known, a comparison with the maximum current of the utilization category is sufficient:

$$\hat{I}_{CL} \leq 1.41 \cdot 10 \cdot I_{eAC-3(e)}$$

In some cases, the technical specifications of the frequency converter manufacturers do not include the currents that actually occur in the systems (real maximum values). To ensure fault-free operation, it is recommended to use contactors of the next higher rated power in order to exclude possible welding of the main contacts.

If the charging current peak \hat{I}_{CL} is not known, the contactor can alternatively be dimensioned on the basis of the capacitance of the DC link capacitor and the capacitor switching capacity of the contactors according to AC-6b.

The values are available on request from Technical Support (<https://support.industry.siemens.com/My/ww/en/requests>) for all motor contactors.

This tends to result in somewhat oversized contactors because the pulse duration is not taken into account.

The maximum switchable capacity for the contactor is calculated from the Q_{eAC-6b} to:

$$C = Q_{eAC-6b} / (3 \cdot U^2 \cdot 2 \cdot \pi \cdot f)$$

Example for 50 kVA_r / 400 V / 50 Hz:

$$C = 50,000 / (3 \cdot 400^2 \cdot 314) = 332 \mu\text{F}$$

6.15.3 Configuration downstream of the frequency converter (load side facing the motor)

6.15.3.1 Technical background information for configuration downstream of the frequency converter (load side facing the motor)

The following applications require an output contactor on the load side of the frequency converter:

- Possibility to disconnect the system side facing the motor
- Use of a frequency converter for several motors (group converter), which are separately protected and/or optionally connected
- Star-delta (wye-delta) changeover for adapting the torque-speed characteristics of high-speed machines, e.g. in metal-cutting machining technology

To control the speed of the motors, the converter changes the fundamental frequency. This variable fundamental frequency often lies in the frequency range from $f = 0$ to 87 Hz.

To set the fundamental frequency, the frequency converter uses pulse width modulation with clock frequencies in the range of 2 to 10 kHz. These high-frequency, square-wave voltage signals result in a high harmonic component with regard to the voltage downstream of the frequency converter.

However, the comparatively high inductances of the downstream motors convert these square-wave voltage signals into a well-smoothed alternating current with the corresponding fundamental frequency. The amplitude of the voltage harmonics decreases with $1 / f^2$. Thus, the resulting or equivalent motor current is approximately equal to the currents as if the motor were directly connected to the network, only with a different fundamental frequency.

No technical measures are required with regard to the thermal design of the switchgear and the cabling. Even minor harmonic components are possible, since the possible AC-1 currents of the contactors are higher than the AC-3 currents / AC-3e currents used here. If the fundamental frequency is > 400 Hz, the setup with contactors is not permissible.

For special motors with very low inductances, e.g. motors that accelerate very quickly, current smoothing is reduced as a result of their low inductance. As a result, significant harmonic components can occur. In this case, special dimensioning is required which is similar to the dimensioning of the contactors upstream of a frequency converter.

Also make sure that no current interruptions or excessive current harmonics occur during operation. In this case, series reactors are recommended.

More information can be found in the System Manual "Requirements for third-party motors (<https://support.industry.siemens.com/cs/de/de/view/109792187/en>)".

6.15.3.2 Dimensioning of the contactors for switching and protecting in case of overload

The frequency converter in the setup with contactors supplies the network in case of overload. Different and/or variable frequencies can occur.

6.15 Configuration notes for the use of contactors in the environment of frequency converters

The downstream motors must be able to be switched on, switched off, and also protected in the event of a fault. If the contactors are functionally also used for operational switching (ON/OFF) and/or motor protection, select the devices according to the utilization category AC-3 or AC-3e.

Configure the design for each motor individually so that the motor can be treated as drive that is powered by a fixed network.

The rated current and the maximum starting current are relevant for the design of the switching elements and protective elements (contactors and overload relays or circuit breakers with motor protection function). The selection of devices according to utilization category AC-3 / AC-3e covers the necessary requirements. Inrush currents are rather negligible in these applications.

For complex groups with several drives, the use of one overload relay per motor is recommended. The overload relays act on a central contactor. Configure the contactor as if the sum of the motors would result in one big motor.

If the fundamental frequency is in the range between 16.7 and 400 Hz, no further measures are necessary. At lower frequencies than the line frequency, the frequency converter also reduces the voltage in proportion to the frequency. For example, if half the motor speed is 25 Hz, then the voltage provided by the frequency converter is 50%. Nevertheless, transfer the frequency converter to pulse inhibit (Page 177) before performing switching operations at the contactor.

For fundamental frequencies lower than 16.7 Hz, the switching capacity specifications according to the DC utilization categories DC-3 and DC-5 apply. The lowered voltage at low frequency due to the U/f control has an advantageous effect.

| NOTICE |
|---|
| <p>Use of 3RT12 and 3TF6 vacuum contactors</p> <p>3RT12 and 3TF6 vacuum contactors are approved for frequencies between 45 and 60 Hz. The 3RT12 and 3TF6 vacuum contactors must not be used for switching in systems below 45 Hz.</p> <p>For more information on use at frequencies greater than 60 Hz, contact Technical Support (https://support.industry.siemens.com/My/ww/en/requests).</p> |

In the case of motor groups, note that in the event of a short-circuit, the short-circuit power that occurs can be greater than the feed-in power by the converter.

Also consider possible capacitive charging currents and reactive currents.

Note

Effect on the service life of the switchgear

The service life specifications of the contactors refer to line frequencies of 50 / 60 Hz. Deviating frequencies may result in lower service life values.

6.15.3.3 Dimensioning of the contactors according to rated current

The thermal design of the contactors is carried out analogously to the procedure described in chapter "Contactor types and areas of application (Page 163)".

All frequency components above 50 / 60 Hz cause higher power losses in the motor current path and greater self-heating due to the skin effect and the formation of eddy currents.

Downstream of the frequency converter, the line frequency is rather different due to the speed control and very low current harmonic components can be assumed due to the motor inductance. Therefore, in the vast majority of cases, the derating factor for the harmonics can be neglected or is equal to one.

Thus, the normal utilization categories of the contactors can also be applied. In applications without switching functions, utilization category AC-1 is possible. In applications with switching operations, the AC-3 category is recommended.

The derating factor for the respective contactor can be taken from the figures "Derating factors of 3RT1 / 3RT2 contactors at higher fundamental frequencies or harmonics (delivery condition with box terminal)" or "Derating factors of 3RT1 / 3RT2.4 contactors at higher fundamental frequencies or harmonics (delivery condition without box terminal)".

The derating factors in continuous operation refer to the respective rated operational currents $I_{e AC-1}$ specified in the catalog for the respective ambient temperature.

Examples

Example 1

400 V, motor current $I_e = 105$ A, speed 80% of rated speed $\Rightarrow f = 0.8 \cdot 50$ Hz = 40 Hz
Possible contactor: 3RT2047 ($I_{e AC-3} = 110$ A; $I_{e AC-1} = 130$ A)

- Derating factor "Network" ($f = 40$ Hz): 1.0
- Derating factor "Harmonic component (THD)": 1.0
- Total derating factor: $1.0 \cdot 1.0 = 1.0$
- Thermally effective total current 105 A / $1.0 = 105$ A

\Rightarrow The 3RT2047 contactor can carry and switch the thermally effective total current of 105 A without considering any other application data.

Example 2

400 V, motor current $I_e = 105$ A, maximum speed 174% of rated speed $\Rightarrow f = 1.74 \cdot 50$ Hz = 87 Hz (inside-delta circuit $\cdot 50$ Hz)
Possible contactor: 3RT2047 ($I_{e AC-3} = 110$ A; $I_{e AC-1} = 130$ A)

- Derating factor "Network" ($f \approx 90$ Hz): 0.95
- Derating factor "Harmonic component (THD)": 1.0
- Total derating factor: $0.95 \cdot 1.0 = 0.95$
- Thermally effective total current 105 A / $0.95 = 110.5$ A

\Rightarrow The 3RT2047 contactor can carry the thermally effective total current of 110.5 A (value is less than $I_{e AC-1}$) without considering other application data.

Switching operation is also possible, since the frequency is well below 400 Hz.

 6.15 Configuration notes for the use of contactors in the environment of frequency converters
Example 3

400 V, motor current $I_e = 105$ A, maximum speed 800% of the rated speed \Rightarrow

$f = 8 \cdot 50$ Hz = 400 Hz, ambient temperature 60 °C

Possible contactor: 3RT2047 ($I_{eAC-3} = 110$ A; $I_{eAC-1} = 110$ A)

- Derating factor "Network" ($f = 400$ Hz): 0.86
- Derating factor "Harmonic component (THD)": 1.0
- Total derating factor: $0.86 \cdot 1.0 = 0.86$
- Thermally effective total current 105 A / $0.86 = 122.1$ A

\Rightarrow The 3RT2047 contactor cannot carry the thermally effective total current of 122.1 A (value is less than I_{eAC-1} at this ambient temperature).

Possible contactor: 3RT1055 ($I_{eAC-3} = 150$ A; $I_{eAC-1} = 160$ A)

- Derating factor "Network" ($f = 400$ Hz): 0.72
- Derating factor "Harmonic component (THD)": 1.0
- Total derating factor: $0.72 \cdot 1.0 = 0.72$
- Thermally effective total current 105 A / $0.72 = 145.8$ A

\Rightarrow The 3RT1055 contactor must be selected for this application (high) (high fundamental frequency and high ambient temperature).

6.15.3.4 Partial discharge (stress on insulation materials)

Due to the following factors, wave-shaped voltage superpositions can occur on the supply line to the motor (up to factor 2 with regard to the amplitude):

- Very short switching times down to the lower nanosecond range and the associated extreme rates of voltage rise dv/dt of modern power semiconductors
- Specific impedance conditions between converter and motor (lines to the motor, internal resistances of switchgear, impedance of motor)

Of importance here is the wave impedance between the following components:

- Frequency converter
- Cable
- Switching device
- Cable
- Motor
- Grounding conditions

Reflections can occur between phases (L to L), between phase and ground (L to N), and from winding to winding on a coil (bimetal, short-circuit release, motor winding).

6.15 Configuration notes for the use of contactors in the environment of frequency converters

These significantly increased voltages cause disproportionately high electric field strengths in the switching device, which in turn can cause partial discharges. Partial discharges over a longer period of time can lead to premature device failure, as the insulation material ages and is also worn away by electrochemical processes.

Prerequisites for the occurrence of partial discharges are electric field strengths greater than 1 to 3 kV/mm and elevated temperatures greater than 40 °C directly on the component.

As a result of the compactness, devices of the smaller sizes 3RT2.1 and 3RT2.2 are mainly affected here. The influence of the ambient temperature is even stronger.

Assessment

- Protection devices with bimetal and/or instantaneous short-circuit release are more critical than contactors
- Applications at 400 V are not critical at ambient temperatures < 40 °C
- 3RT2.1 and 3RT2.2 switchgear can become critical at ambient temperatures of 60 °C and line voltage of 500 V
- Applications at 690 V and high ambient temperatures of 60 °C are critical for all devices

General recommendation

- Proper selection and cable installation
- Use of dv/dt filters, as motor reactors only slightly improve dv/dt ratios
- Overdimensioning of the devices to reduce self-heating and, if necessary, also the selection of a larger size to reduce the field strengths
- Early, preventive replacement of the switchgear, e.g. after 5 years

6.15.4 Other application cases

6.15.4.1 EMERGENCY OFF / EMERGENCY STOP (contactor downstream of the frequency converter)

Apply the following procedure when shutting down the converter-motor combination:

- EMERGENCY OFF
Disconnecting the drive as quickly as possible
Before the contactor is opened, switch off the frequency converter via the inverter enable / pulse inhibit. (Command OFF 2). This operation is required in cases where the converter is to compensate for voltage dips and/or current dips.

6.15 Configuration notes for the use of contactors in the environment of frequency converters

- **EMERGENCY STOP**
Controlled drive shutdown
If an EMERGENCY STOP is to take place, the drive is ramped down (command OFF 3).
The pulse disable is to take place before the contactor is opened (command OFF 2).

6.15.4.2 Pulse inhibit

A pulse inhibit is a technical operating state of frequency converters where the output is disconnected without galvanic isolation. This prevents the frequency converter from trying to maintain the current by increasing the voltage (current regulation) by opening the contactor contacts (contactor downstream of the frequency converter). The pulse inhibit enables the contactor to switch in the de-energized, current-free state. A corresponding sequencer must be implemented in the control system so that the contactor does not switch off until the pulse inhibit has been implemented.

If the converter operates without current regulation and a motor contactor according to utilization category AC-3 is used, it is not necessary to set the pulse inhibit.

Take into account unintentional switching actions of the contactor caused by a fault condition, such as failure of the control voltage supply or wire breakage of the control voltage supply. In this case, the pulse inhibit can be subsequently activated via the signal contacts of the contactors.

6.15.4.3 Generator operation

The described configuration notes are also valid for generator operation and do not require any further measures:

- Wind energy
- Photovoltaics
- Regenerative braking operation

6.15.4.4 Bypass contactor for the frequency converter

In connection with the failure of the frequency converter and/or a power failure or to improve energy efficiency, bypass contactors can be used.

The bypass is activated via a changeover procedure (frequency converter signs off operation, pulse inhibit). The contactors must be designed to suit the application, e.g. motor, pump, or load. Also consider protection scenarios.

6.15.5 Use in close proximity to the frequency converter (coil control)

6.15.5.1 Use of contactors with control electronics on frequency converters

Frequency converters operate with pulse frequencies in the kHz range. Without countermeasures, high frequencies lead to serious line harmonic distortions or, due to the high dv/dt values, to the injection of transient, high-frequency overvoltages (Bursts) into adjacent control lines.

Depending on the topology of the frequency converters, parallel control lines on the line side and especially on the load side between the converter and the motor can be affected.

Adhere to the maximum permissible interference emissions and observe the following interference suppression measures:

- Line filters or reactors to prevent line harmonic distortions
- Shielded cables between converter and motor with shield grounded at both ends
- Shielded control cables with shield grounded at both ends
- Greatest possible distance between the "clocked" motor connection cable and control cables
- Sine-wave filter for the motor for particularly effective interference suppression
- Mounting the filter directly next to the converter on a metallic base

If the interference suppression measures recommended by the manufacturers of the converters are not implemented, the disturbance variables permissible according to the standard are often exceeded. As a result, considerable harmonics in the switchgear located in the control circuit are to be expected.

6.15.5.2 Influences of high-frequency load currents on the control electronics of the contactors

Very high peak inrush currents and line (network) distortions when the line reactors are omitted produce permanent disturbances in the network with very high rates of voltage rise. Overcoupling of the clocked motor voltage to adjacent lines can occur if unshielded motor connection cables are used and adjacent control lines are laid too close to the motor connection cables.

Due to the coupling of disturbance voltages of the main circuit to the control lines, the following effects may occur:

- In electronic drives, excessive EMC influences such as high-frequency, permanent interference pulses disturb the electronics of the coil control and overload surge suppressors and other electronic components
- The capacitive effect of the load current on the drive electronics can increase the coil current. In the event of a permanent load, this leads to increased heating of the converter or, in extreme cases, to thermal overload and destruction/malfunction of the device

In terms of reliability or a harsh EMC environment, conventional contactor drives are recommended.

6.15.5.3 SIRIUS 3RT126 / 3RT127 and 3TF68 / 3TF69 vacuum contactors in the environment of frequency converters

All of the configuration notes provided here also apply to the vacuum contactors.

In addition, note that the main current path circuits (RC elements) integrated as standard are not designed for frequencies below 45 Hz and above 60 Hz.

Special device versions without overvoltage damping in the main circuit are available for the 3TF68 / 3TF69 contactor types, e.g. 3TF6833-1DB4-ZA02. (-ZA02 added to the article number). These contactor types are suitable for covering higher fundamental frequencies up to 400 Hz.

For higher EMC loads, special device versions without electronic drive are available for the 3TF68 / 3TF69 contactor types, e.g. 3TF6833-1QG7.

6.16 Contact service life of auxiliary and main contacts

6.16.1 3RT2 power contactors (sizes S00 to S3)

6.16.1.1 Contact service life of auxiliary and main contacts (sizes S00 and S0)

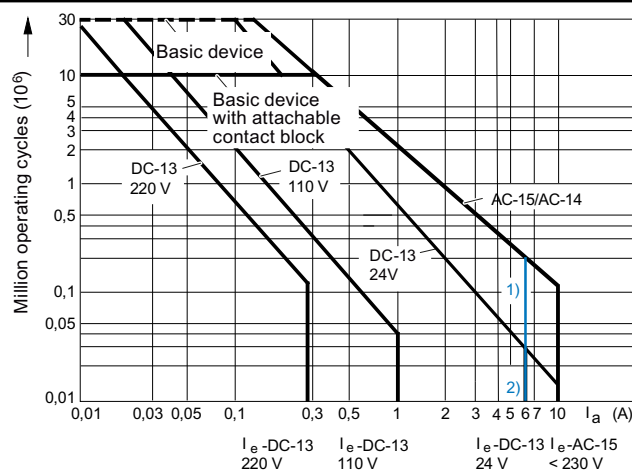
Contact service life of auxiliary contacts

This requires operating mechanisms that switch at random, i.e. not synchronized with the phase angle of the supply system.

The contact service life is essentially dependent on the breaking current.

The characteristic curves apply to:

- Integrated auxiliary contacts on 3RT20
- Auxiliary switches 3RH2911-., 3RH2921- for contactors of size S00 and S0.



Legend for diagram:

I_a = Breaking current

I_e = Rated operational current

¹⁾ Integrated auxiliary contacts (size S0) and contacts in the auxiliary switches for contactors (size S00 and S0): 6 A

²⁾ Contacts in auxiliary switches for contactors of size S00 and S0: 6 A

Contact service life of main contacts

The characteristic curves show the contact service life of contactors when switching slightly inductive or non-inductive three-phase loads (AC-1 / AC-3 / AC-3e) as a function of breaking current and rated operational voltage. This requires operating mechanisms that switch at random, i.e. not synchronized with the phase angle of the supply system.

The rated operational current I_e in accordance with utilization category AC-4 (breaking of 6 times the rated operational current) is specified for a contact service life of at least 200,000 operating cycles.

If a shorter contact service life is sufficient, the rated operational current I_e /AC-4 can be increased.

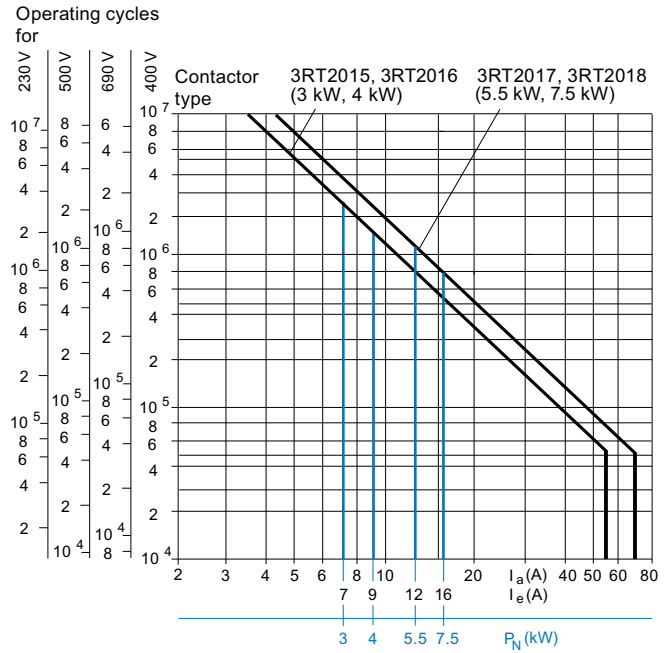
In the case of mixed operation, i.e. if normal switching operation (breaking of rated operational current in accordance with utilization category AC-3 / AC-3e) is mixed with occasional inching (breaking of the multiple rated operational current in accordance with utilization category AC-4), the service life of the contacts can be calculated approximately with the following formula:

$$X = \frac{A}{1 + \frac{C}{100} \cdot \left(\frac{A}{B} - 1\right)}$$

Legend for formula:

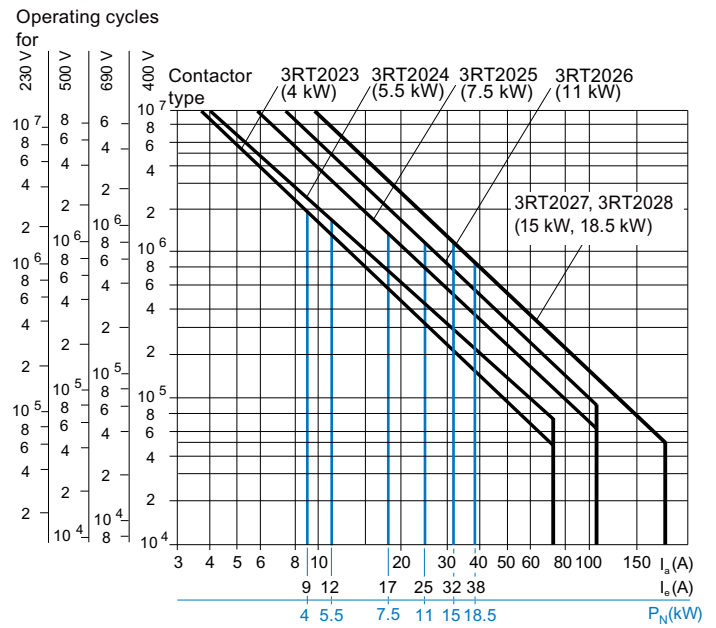
- X: Contact service life for mixed operation in operating cycles
- A: Contact service life for normal operation ($I_a = I_e$) in operating cycles
- B: Contact service life for inching ($I_a = \text{multiple of } I_e$) in operating cycles
- C: Proportion of inching operations as a percentage of all operations

Size S00



Contact service life of main contacts

Size S0



Legend for diagram:

P_N= Rated power of squirrel-cage motors at 400 V

I_b= Breaking current

I_e= Rated operational current

6.16 Contact service life of auxiliary and main contacts

6.16.1.2 Contact service life of auxiliary and main contacts (size S2)

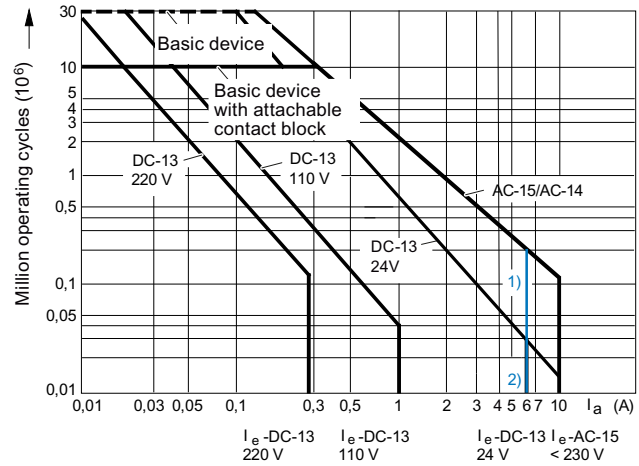
Contact service life of auxiliary contacts

This requires operating mechanisms that switch at random, i.e. not synchronized with the phase angle of the supply system.

The contact service life is essentially dependent on the breaking current.

The characteristic curves apply to:

- Integrated auxiliary contacts on 3RT20
- 3RH2911-, 3RH2921-. auxiliary switches for contactors of size S2.



Legend for diagram:

I_a = Breaking current

I_e = Rated operational current

1) Integrated auxiliary contacts and contacts in the auxiliary switches for contactors (size S2): 6 A

2) Contacts in auxiliary switches for contactors of size S2: 6 A

Contact service life of the main contacts

The characteristic curves show the contact service life of contactors when switching slightly inductive or non-inductive three-phase loads (AC-1 / AC-3) as a function of breaking current and rated operational voltage. This requires operating mechanisms that switch at random, i.e. not synchronized with the phase angle of the supply system.

The rated operational current I_e in accordance with utilization category AC-4 (breaking of 6 times the rated operational current) is specified for a contact service life of at least 200,000 operating cycles.

If a shorter contact service life is sufficient, the rated operating current $I_e/AC-4$ can be increased.

In the case of mixed operation, i.e. if normal switching operation (breaking of rated operating current in accordance with utilization category AC-3) is mixed with occasional inching (breaking of the multiple rated operating current in accordance with utilization category AC-4), the service life of the contacts can be calculated approximately with the following formula:

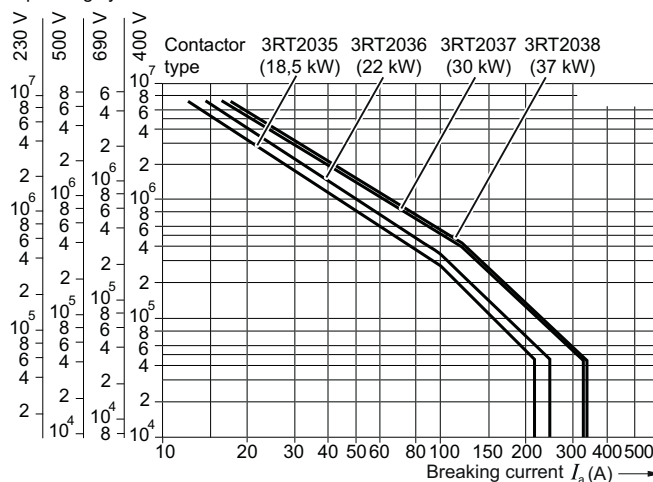
$$X = \frac{A}{1 + \frac{C}{100} \cdot \left(\frac{A}{B} - 1\right)}$$

Characters in the equation:

- X: Contact service life for mixed operation in operating cycles
- A: Contact service life for normal operation ($I_a = I_e$) in operating cycles
- B: Contact service life for inching ($I_a = \text{multiple of } I_e$) in operating cycles
- C: Proportion of inching operations as a percentage of all operations

Size S2

Operating cycles at



6.16 Contact service life of auxiliary and main contacts

6.16.1.3 Contact service life of auxiliary and main contacts (size S3)

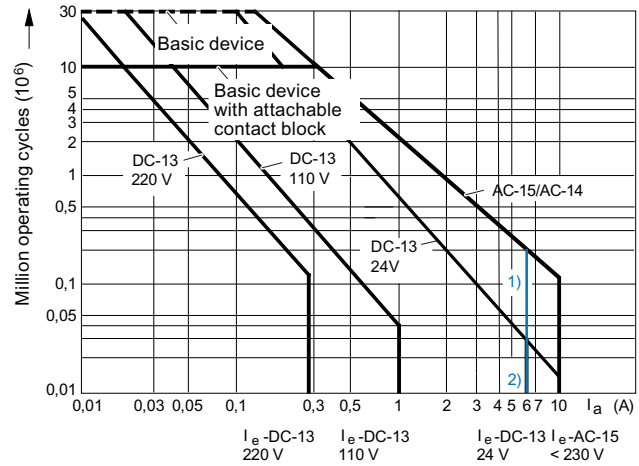
Contact service life of auxiliary contacts

This requires operating mechanisms that switch at random, i.e. not synchronized with the phase angle of the supply system.

The contact service life is essentially dependent on the breaking current.

The characteristic curves apply to:

- Integrated auxiliary contacts on 3RT20
- 3RH2911-, 3RH2921-. auxiliary switches for contactors of size S3.



Legend for diagram:

I_a = Breaking current

I_e = Rated operational current

1) Integrated auxiliary contacts and contacts in the auxiliary switches for contactors (size S3): 6 A

2) Contacts in auxiliary switches for contactors of size S3: 6 A

Contact service life of the main contacts

The characteristic curves show the contact service life of contactors when switching slightly inductive or non-inductive three-phase loads (AC-1 / AC-3) as a function of breaking current and rated operational voltage. This requires operating mechanisms that switch at random, i.e. not synchronized with the phase angle of the supply system.

The rated operational current I_e in accordance with utilization category AC-4 (breaking of 6 times the rated operational current) is specified for a contact service life of at least 200,000 operating cycles.

If a shorter contact service life is sufficient, the rated operating current $I_e/AC-4$ can be increased.

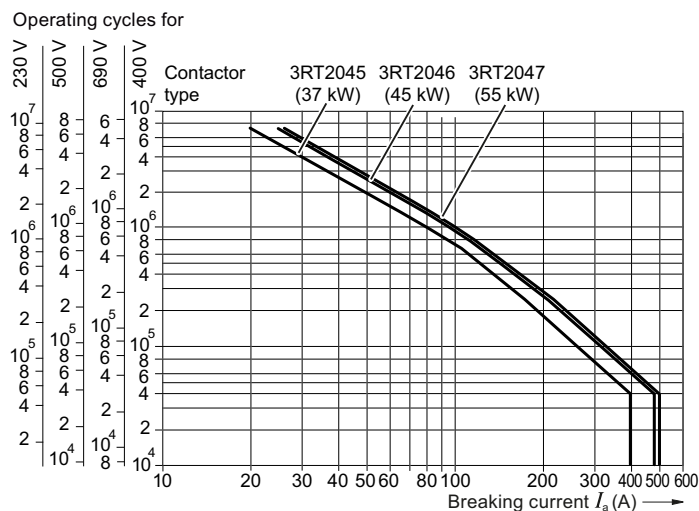
In the case of mixed operation, i.e. if normal switching operation (breaking of rated operating current in accordance with utilization category AC-3) is mixed with occasional inching (breaking of the multiple rated operating current in accordance with utilization category AC-4), the service life of the contacts can be calculated approximately with the following formula:

$$X = \frac{A}{1 + \frac{C}{100} \cdot \left(\frac{A}{B} - 1\right)}$$

Characters in the equation:

- X: Contact service life for mixed operation in operating cycles
- A: Contact service life for normal operation ($I_a = I_e$) in operating cycles
- B: Contact service life for inching ($I_a = \text{multiple of } I_e$) in operating cycles
- C: Proportion of inching operations as a percentage of all operations

Size S3



6.16.2 3RT26 capacitor contactors (sizes S00 to S3)

6.16.2.1 Contact service life of auxiliary and main contacts

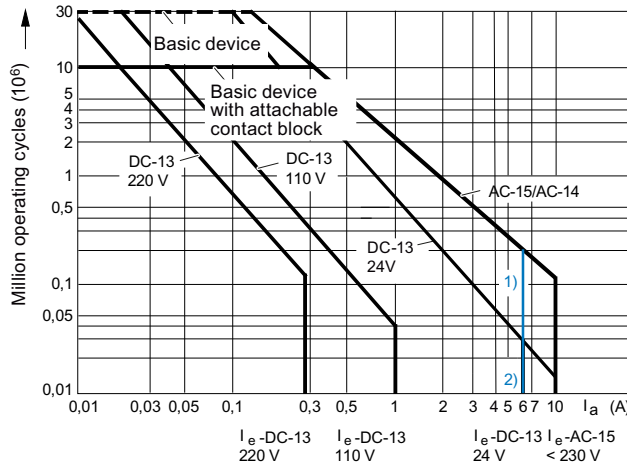
Contact service life of the auxiliary contacts

This requires operating mechanisms that switch at random, i.e. not synchronized with the phase angle of the supply system.

6.16 Contact service life of auxiliary and main contacts

The contact service life is essentially dependent on the breaking current.
 The characteristic curves apply to:

- Integrated auxiliary contacts for 3RT26.
 Integrated auxiliary contacts (size S0) and contacts in the auxiliary switches for contactors (size S00 and S0): 6 A
- 3RH2911-., 3RH2921-. auxiliary switches for contactors of sizes S00, S0, S2 and S3.
 Contacts in the auxiliary switches for contactors of sizes S00 and S0: 6 A

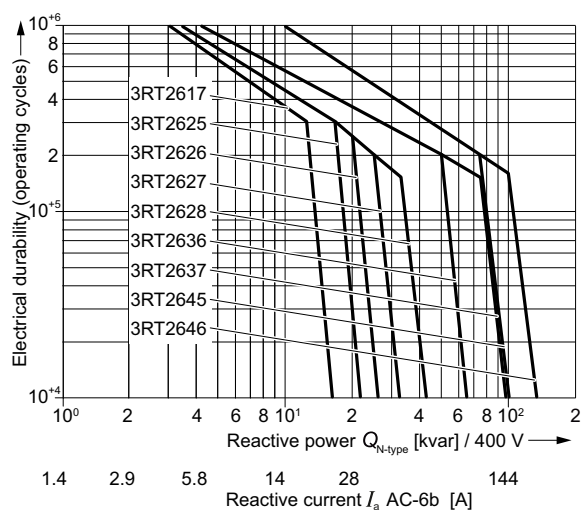


Legend for diagram:
 I_a = Breaking current
 I_e = Rated operational current

Contact service life of the main contacts

The characteristic curves show the contact endurance of the contactors when switching capacitive loads (AC-6b) depending on the reactive power Q_N and rated operational voltage.

The rated operational current I_e complies with utilization category AC-6b (breaking 1.35 times the rated operational current) and is intended for a contact endurance of at least 150 000 to 200 000 operating cycles.



6.16.3 3RT10 power contactors and 3RT12 vacuum contactors (sizes S6 to S12)

6.16.3.1 Mechanical endurance

The mechanical service life of contactors is a crucial criterion for their cost-effective use. This is expressed as the number of operating cycles achieved without loading the current path. While you cannot demand an excessively long service life from breakers that have to work with relatively high contact loads, such as disconnectors and circuit breakers, without impairing their cost effectiveness, contactors are available as specific switching devices for extremely high numbers of switching operations and switching frequencies.

6.16.3.2 Electrical endurance

Electrical service life of main contacts

In the case of mixed operation, i.e. if normal switching operation (breaking of rated operational current in accordance with utilization category AC-3 / AC-3e) is mixed with occasional inching (breaking of the multiple rated operational current in accordance with utilization category AC-4), the service life of the contacts can be calculated approximately with the following formula:

$$X = \frac{A}{1 + \frac{C}{100} \cdot \left(\frac{A}{B} - 1\right)}$$

Legend for formula:

- X: contact endurance for mixed operation in operating cycles
- A: Contact service life for normal operation ($I_a = I_e$) in operating cycles

6.16 Contact service life of auxiliary and main contacts

- B: Contact service life for inching ($I_a = \text{multiple of } I_e$) in operating cycles
- C: Inching operations as a percentage of total switching operations

Characteristic curve: Contact service life of main contacts

The characteristic curves show the contact service life of contactors when switching slightly inductive or non-inductive loads and inductive three-phase loads (AC-1 / AC-3 / AC-3e) as a function of breaking current and rated operational voltage. This requires operating mechanisms that switch at random, i.e. not synchronized with the phase angle of the supply system.

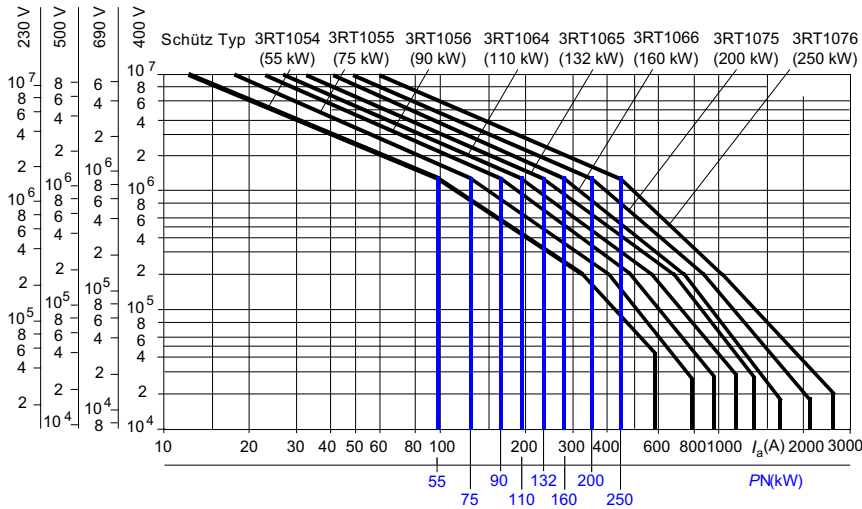
I_a = Breaking current

I_e = Rated operational current

P_N = Rated power of three-phase motors with squirrel-cage rotor at 400 V

3RT10 air-break contactors (sizes S6 to S12)

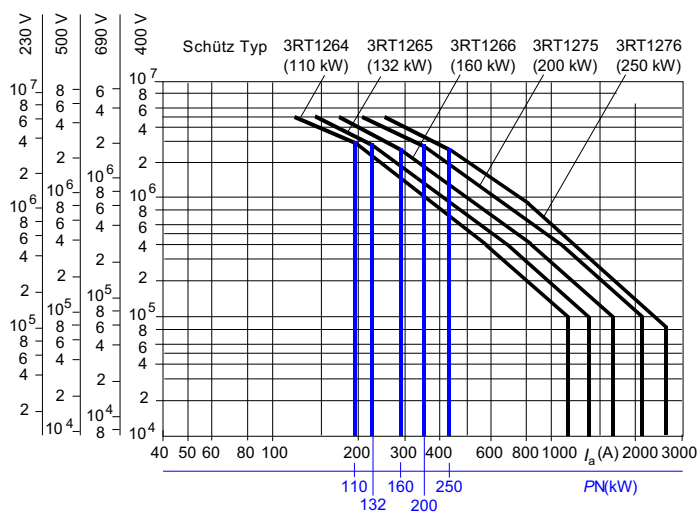
Operating cycles at:



3RT12 vacuum contactors (sizes S10 and S12)

Operating cycles at:

6.16 Contact service life of auxiliary and main contacts

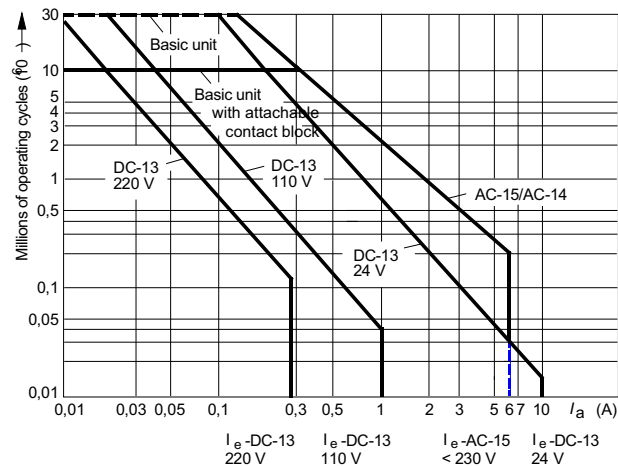


Characteristic curve: Contact service life of auxiliary contacts

The contact service life is dependent on the breaking current. This requires operating mechanisms that switch at random, i.e. not synchronized with the phase angle of the supply system.

The characteristic curves apply to:

- 3RH1921 auxiliary switches for contactors of sizes S6 to S12




6.16 Contact service life of auxiliary and main contacts

Mounting

7.1 Warning notice



| |
|--|
|  DANGER |
| <p>Hazardous voltage. Will cause death or serious injury.</p> <p>Turn off and lock out all power supplying this device before working on this device.</p> |

7.2 Mounting

7.2.1 Mounting options

Note the following information when mounting contactors:

- If foreign bodies (such as drillings) can reach the devices, the contactors must be covered during mounting.
- If there is a risk of pollution, heavy dust deposits, or an aggressive atmosphere at the mounting location, the contactors must be installed in an enclosure.
- Dust deposits must be vacuumed away.

Mounting options

The following mounting types are available for the contactors:

- Snapping onto a 35 mm DIN rail according to IEC 60715. (Sizes S00 ... S3 only)
- Screwing onto a mounting plate

Side-by-side mounting

Up to an ambient temperature of 60 °C, derating is not necessary for all contactors even in the case of side-by-side mounting. In the case of contactors with extended operating range (0.7 to 1.25 x U_N) that operate via a series resistor, side-by-side mounting is permissible up to an ambient temperature of +70 °C.

7.2.2 Mounting position

The contactors are dimensioned for operation on a vertical mounting plane. The following mounting positions are permitted:

Permissible mounting positions for the contactors:

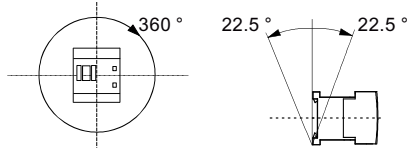


Figure 7-1 3RT2 mounting positions (sizes S00, S0, S2 and S3)

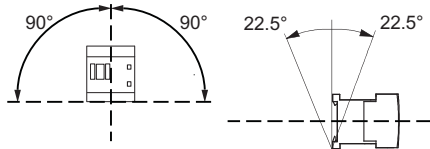


Figure 7-2 Mounting positions 3RT1.5, 3RT1.6 and 3RT1.7

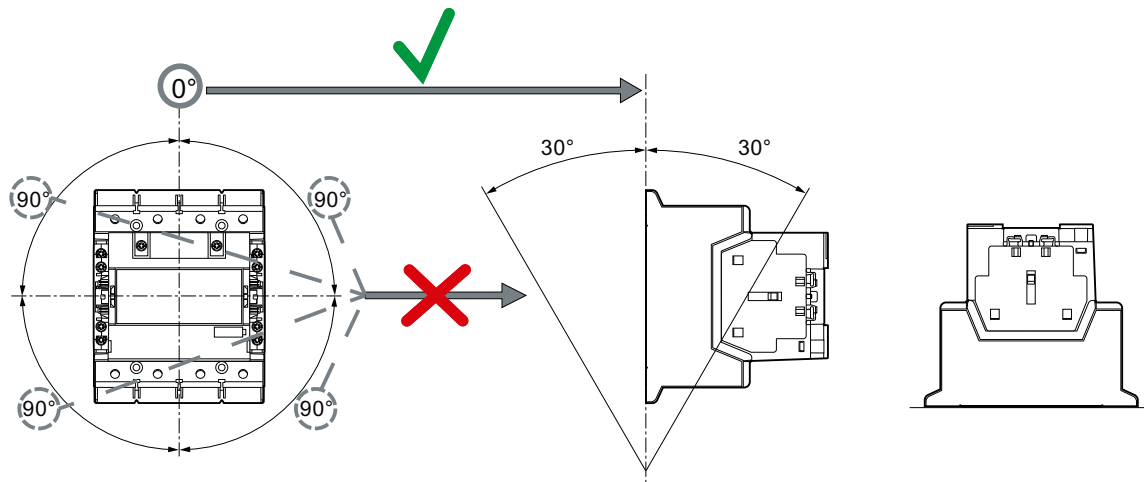


Figure 7-3 Mounting positions 3RT135, 3RT136 and 3RT137

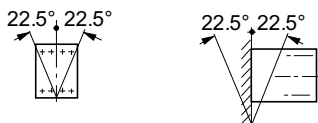


Figure 7-4 Mounting position vacuum contactor 3RT126 and 3RT127

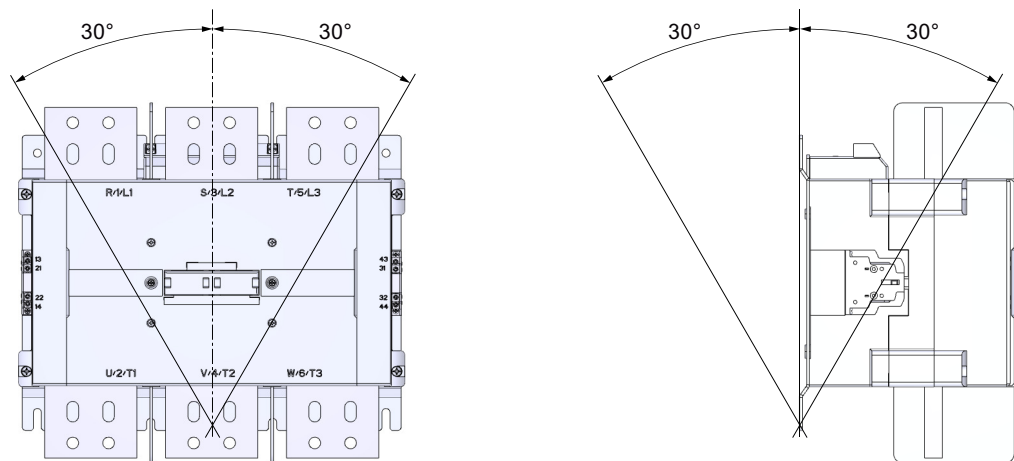


Figure 7-5 Mounting position 3RT148.

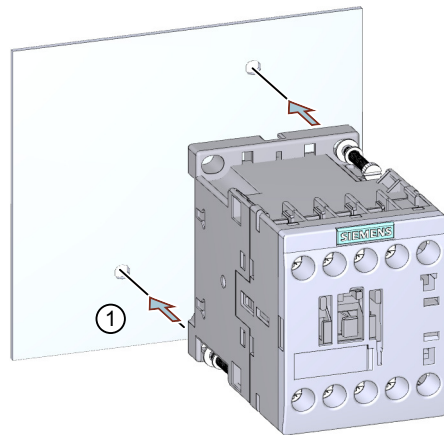
Vertical mounting

Special versions of the 3RH2 contactor relays and 3RT power contactors are required for vertical mounting. This special version can be requested from Technical Support (<https://support.industry.siemens.com/My/ww/en/requests>).

7.2.3 Mounting on mounting plate / wall mounting

Screw mounting size S00

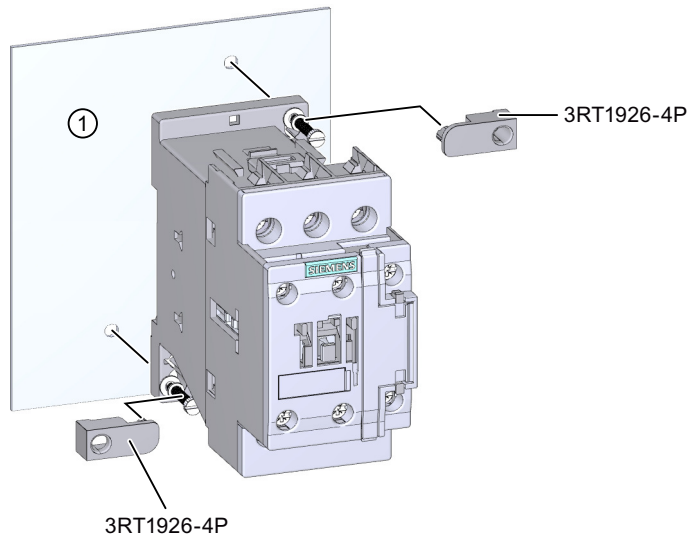
The following figure shows the mounting of a contactor of size S00 on a base plate or a panel.



- ① Using two M4 screws, plain washers and spring washers, screw the contactor tight into the designated drill holes diagonally.
Maximum tightening torque 1.2 to 1.6 Nm

Screw mounting size S0

The following figure shows the mounting of a contactor of size S0 on a base plate or a panel.



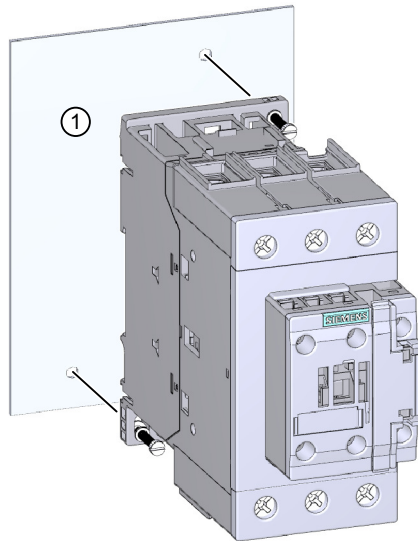
- ① Screw the contactor tight diagonally into the openings provided using two M4 screws, plain washers and spring washers.

Maximum tightening torque 1.2 to 1.6 Nm

You can use the 3RT1926-4P screw mounting adapter to make size S0 contactors easier to mount, if necessary (e.g. in the case of vertical access when using an insulated screwdriver). Fit the adapters in the horizontal installation position.

Screw mounting size S2

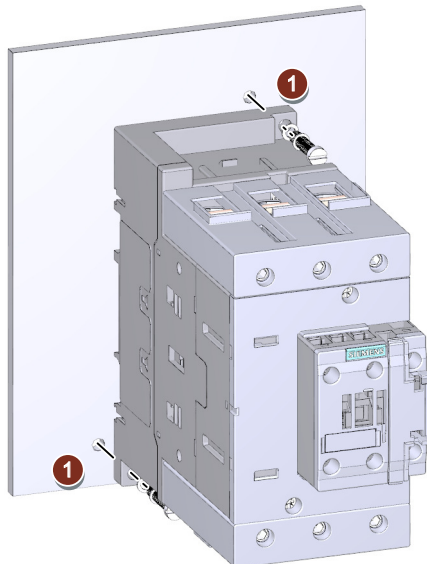
The following figure shows the mounting of a contactor of size S2 on a base plate or a panel.



- ① Screw the contactor tight diagonally into the openings provided using two M4 screws, plain washers and spring washers.
Maximum tightening torque 1.2 to 1.4 Nm

Screw mounting size S3

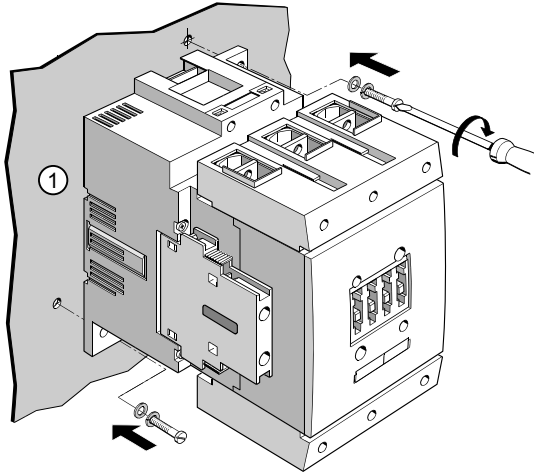
The following figure shows the mounting of a size S3 contactor on a base plate or a panel.



- ① Screw the contactor tight diagonally into the openings provided using two M4 screws, plain washers and spring washers.
Maximum tightening torque 1.2 to 1.4 Nm

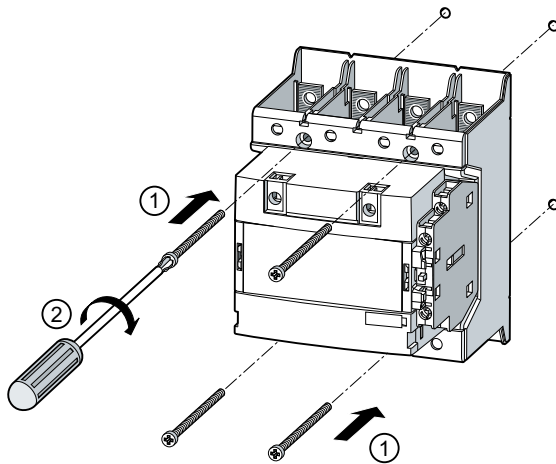
Screw mounting sizes S6 - S12

The following figure shows the mounting of 3RT10, 3RT12 and 3RT14 contactors (sizes S6 to S12) on a base plate or a panel.



- ① Screw the contactor tight diagonally into the openings provided using two screws (size S6), plain washers and spring washers.
Screw the contactor tight into the openings provided using four screws (size S0 / S12), plain washers and spring washers.

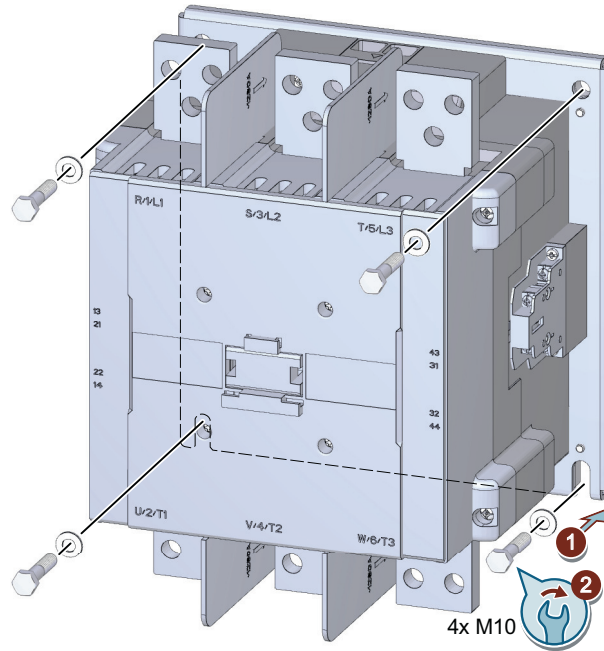
The following figure shows the mounting of 3RT13 contactors (sizes S6 to S12) on a base plate or a panel.



- ①/ ② Screw the contactor tight into the openings provided using four screws.
3RT135 (size S6): Four M4 screws, maximum tightening torque 1.5 Nm
3RT136 / 3RT137 (size S10 / S12): Four M5 screws, maximum tightening torque 2.0 ... 2.5 Nm

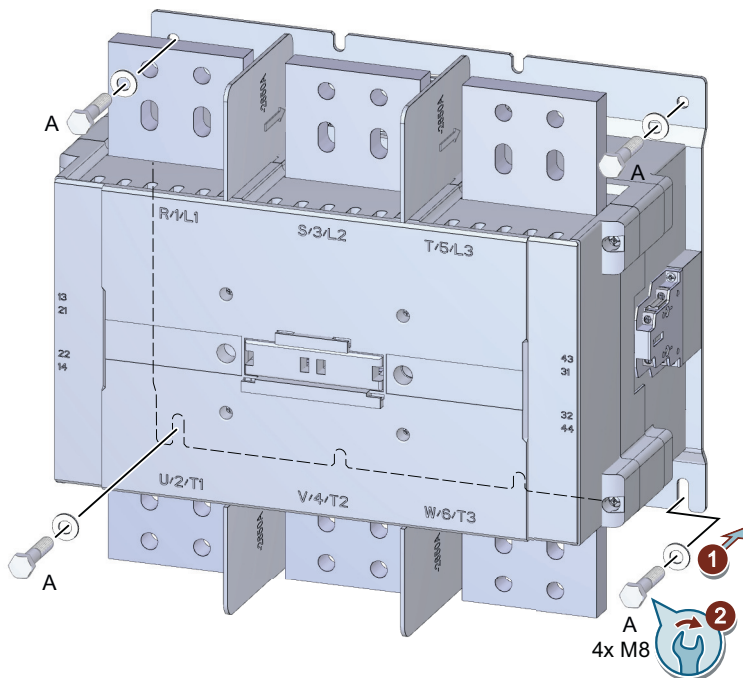
Screw fixing 3RT148 contactors

The illustration below shows the wall mounting of the 3RT1481, 3RT1482 und 3RT1483 contactors.



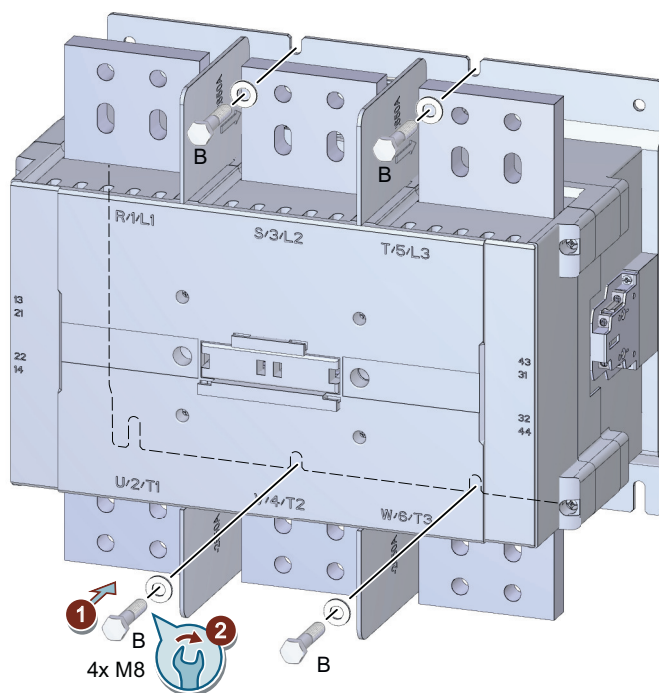
The following representations show the wall mounting options for the 3RT1485, 3RT1486 and 3RT1487 contactors.

Mounting option A



①/② Screw the contactor into the openings provided using four M8 screws.

Mounting option B



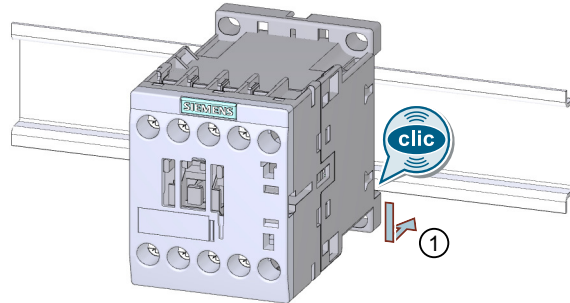
①/② Screw the contactor into the openings provided using four M8 screws.

7.2.4 Snapping onto DIN rail (snap-on mounting)

Mounting / disassembling sizes S00 to S3 (snap-on mounting)

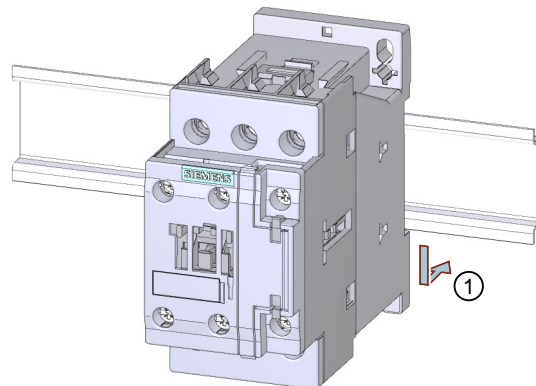
Contactors of sizes S00 to S2 can be snapped onto a 35 mm standard mounting rail. Size S3 contactors can be snapped onto a 35 mm standard mounting rail according to IEC 60715 or onto a 75 mm standard mounting rail.

Mounting / disassembling size S00 (snap-on mounting)



- ① Position the device on the top edge of the mounting rail and press it down until it snaps onto the bottom edge of the rail.
To disassemble the device, press it down, pushing against the mounting springs, and swivel the device to remove it.

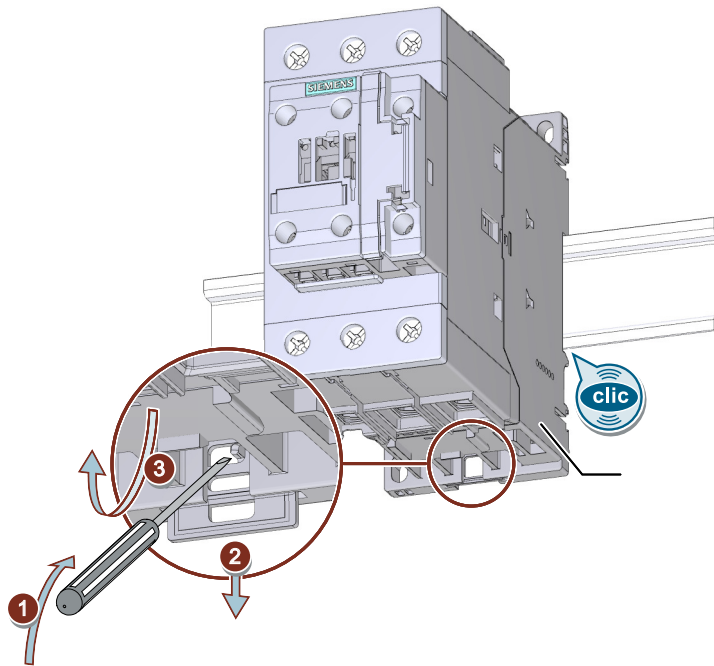
Mounting / disassembling size S0 (snap-on mounting)



- ① Position the device on the top edge of the mounting rail and press it down until it snaps onto the bottom edge of the rail.
To disassemble the device, press it down, pushing against the mounting springs, and swivel the device to remove it.

Mounting / disassembling size S2 (snap-on mounting)

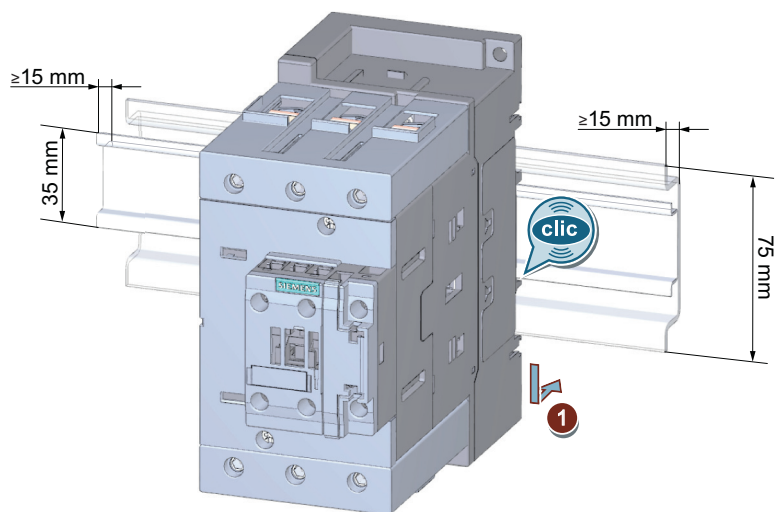
Size S2 contactors can be snapped onto a 35 mm DIN rail according to IEC 60715. Position the device on the top edge of the mounting rail and press it down until it snaps onto the bottom edge of the rail.



- ①/② To disassemble, press the locking device down with a screwdriver.
- ③ Press the device down, pushing against the mounting springs, and swivel the device to remove it.

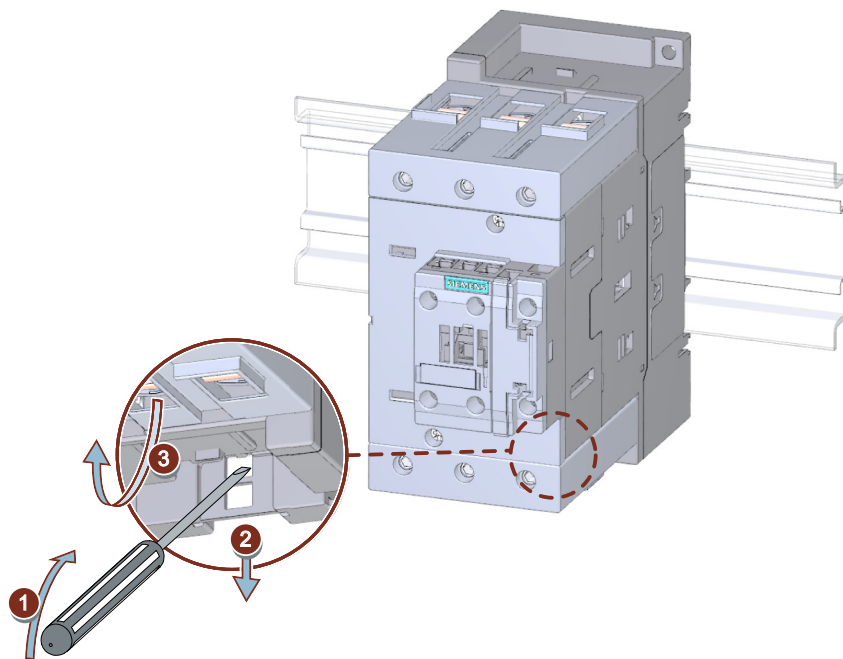
Mounting / disassembling size S3 (snap-on mounting)

Size S3 contactors can be snapped onto a 35 mm DIN rail according to IEC 60715 or onto a 75 mm DIN rail.



- ① Position the device on the top edge of the mounting rail and press it down until it snaps onto the bottom edge of the rail.

Disassembling size S3



- ①/② To disassemble, press the locking device down with a screwdriver.
- ③ Press the device down, pushing against the mounting springs, and swivel the device to remove it.

7.3 Replacing solenoid coils

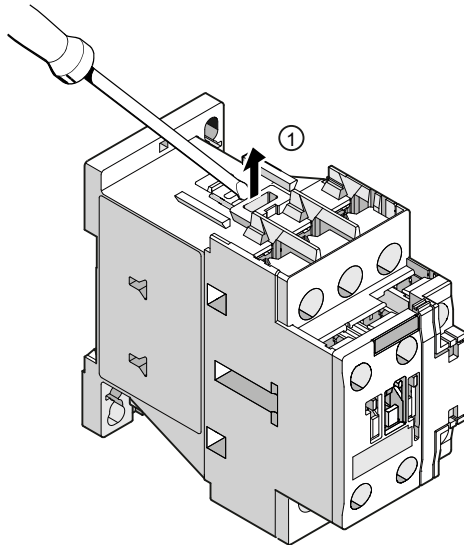
7.3.1 Changing the solenoid coils 3RT2.2 (size S0)

The solenoid coils on size S0 to S12 contactors can be replaced. The illustration below shows how to replace the solenoid coil on a size S0 contactor with an AC coil.

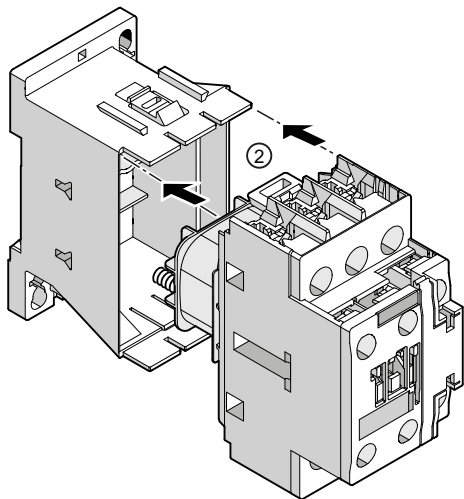
Note

On size S0, the solenoid coils can only be replaced for AC devices.

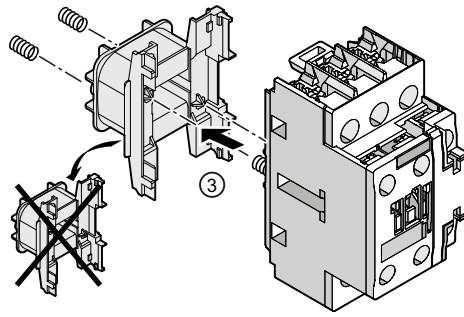
Replacing a solenoid coil (size S0/AC)



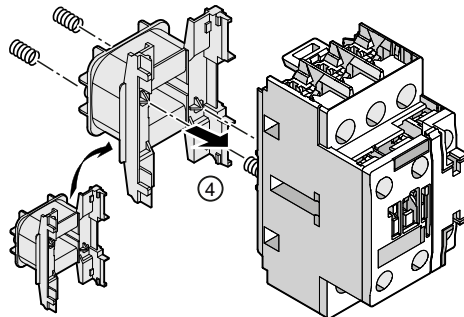
- ① Use a screwdriver to lift up the retaining clips between the rear and front halves of the contactor.



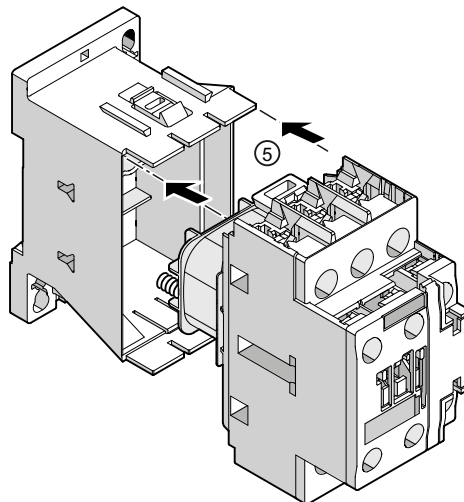
- ② Push the two halves of the contactor apart.



- ③ Take the solenoid coil out of the front half of the contactor.

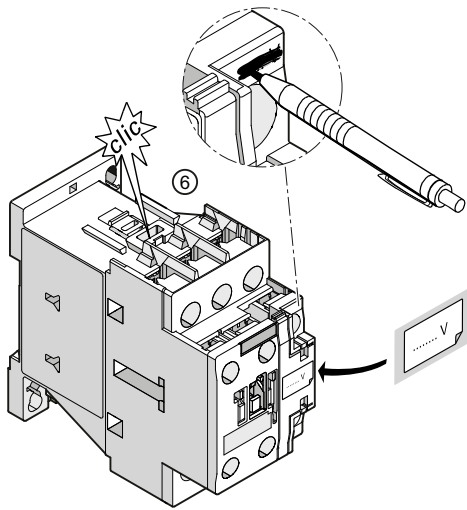


- ④ Insert the new solenoid coil. In doing so, make sure that the springs between the solenoid coil and the front half of the contactor are properly located on the support.



- ⑤ Reattach the front part of the contactor onto the rear half until the retaining clips engage.

7.3 Replacing solenoid coils



- ⑥ Write the coil voltage of the newly inserted operating mechanism onto the label supplied and stick the label onto the front panel of the contactor, as shown in the diagram. Thoroughly cross out the coil voltage stated above terminal A1.

7.3.2 Changing the solenoid coils 3RT2.3 (size S2)

The solenoid coils on size S0 to S12 contactors can be replaced. The figure below shows how to replace the solenoid coil on a contactor with an AC coil.

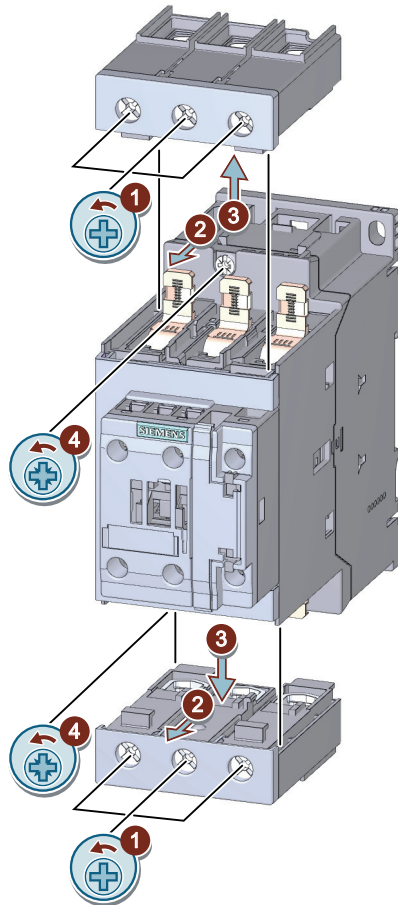
Note

On size S2, the solenoid coils can be replaced for AC devices (AC-AC) and for AC / DC devices (AC / DC - AC / DC).

| |
|--|
| ⚠ WARNING |
| Hazardous voltage Can Cause Death, Serious Injury, or Damage to Property. Changing the solenoid coil for 3RT203.-.S.30 contactors is not permissible. On the 3RT203.-.S.30 contactors with fail-safe control input, it is not permissible to change the solenoid coil. |

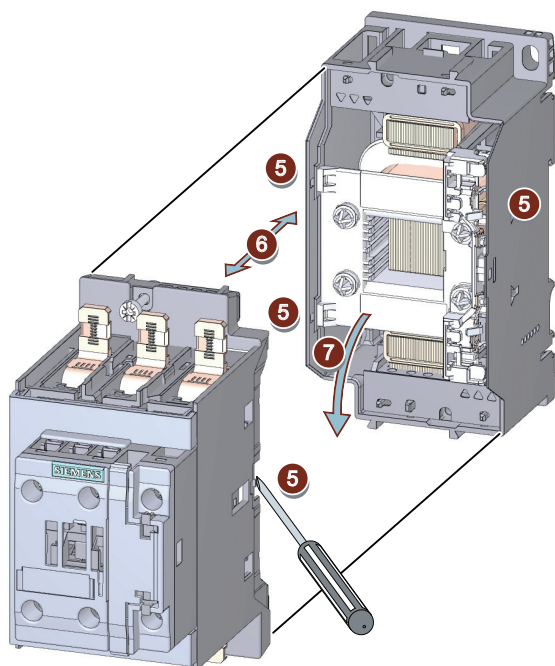
| |
|--|
| ⚠ WARNING |
| Hazardous voltage Can Cause Death, Serious Injury, or Damage to Property. Changing the solenoid coil for 3RT263. capacitor contactors is not permissible. On the 3RT263 capacitor contactors, it is not permissible to change the solenoid coil. |

Replacing a solenoid coil (size S2/AC and AC/DC)

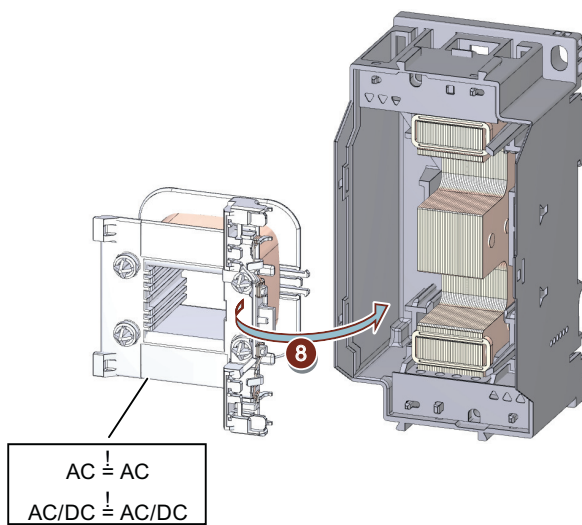


- ①/②/③/④ Use screwdrivers to undo the screws of the detachable terminals.
Pull the terminals forward slightly and remove the terminals.

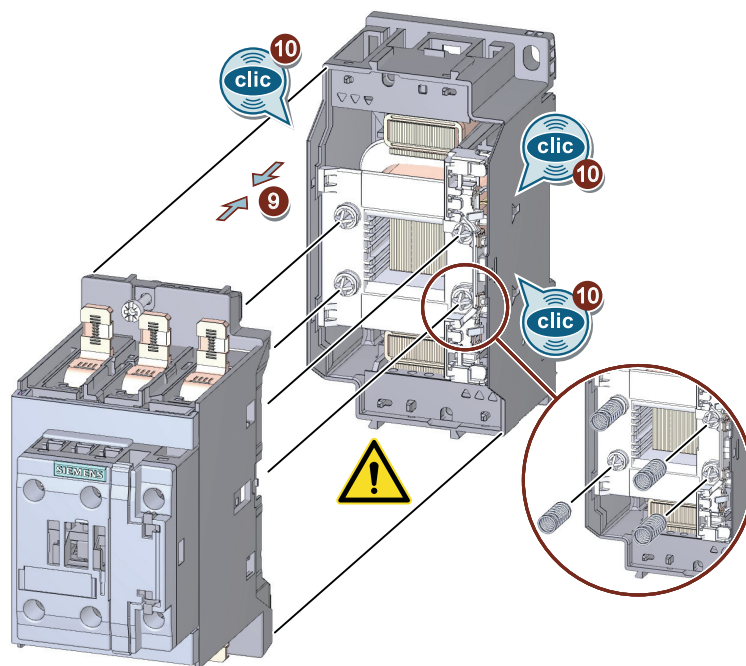
7.3 Replacing solenoid coils



⑤/⑥/⑦ Push the two halves of the contactor apart. Note the lateral latching here. Take the solenoid coil out of the rear half of the contactor.



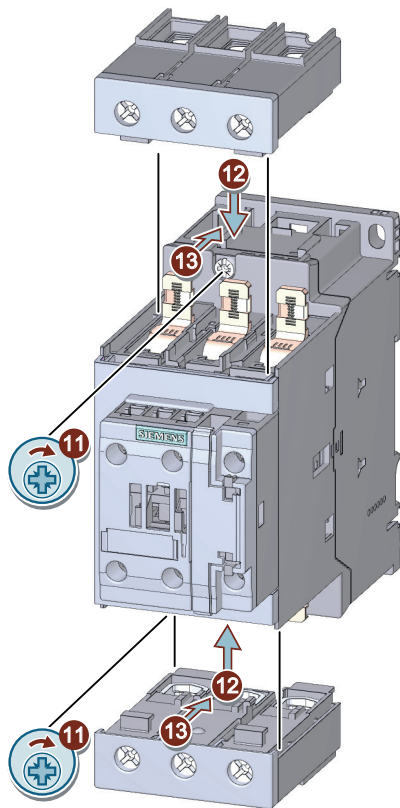
⑧ Insert the new solenoid coil.



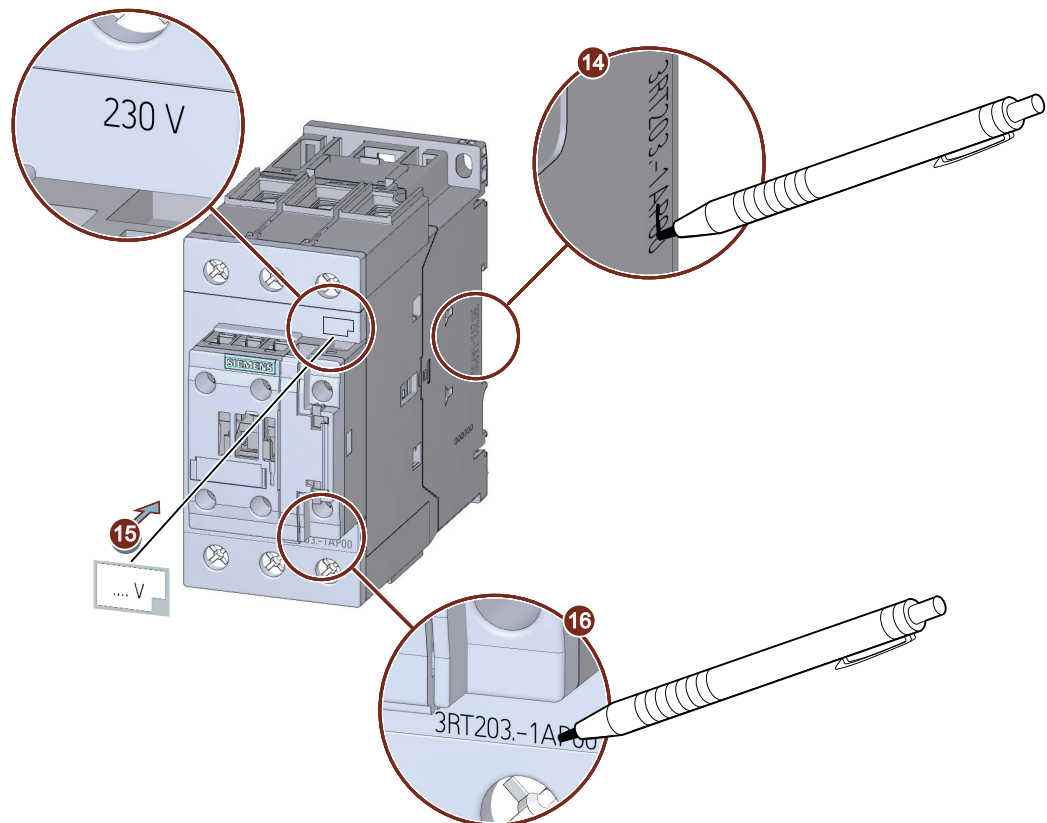
⑨/⑩

Slide the front part of the contactor back onto the rear half until the retaining clips engage. In doing so, make sure that the springs between the solenoid coil and the front half of the contactor are properly located on the support.

7.3 Replacing solenoid coils



- ①①/①②/①③ Screw the two contactor halves together (1.1 - 1.3 Nm).
Place the terminals on the device and push them towards the rear. Make sure the terminals engage.



- (14)/(15)/(16) To label the coil voltage of the newly inserted operating mechanism, cover the control supply voltage specification with the labels supplied. Thoroughly cross out the article number.

7.3.3 Replacing solenoid coils 3RT2.4 (S3)

The solenoid coils on size S0 to S12 contactors can be replaced. The figure below shows how to replace the solenoid coil on a contactor with an AC coil.

Note

On size S3, the solenoid coils can be replaced for AC devices (AC-AC) and for AC/DC devices (AC/DC -AC/DC).

⚠ WARNING

Hazardous voltage

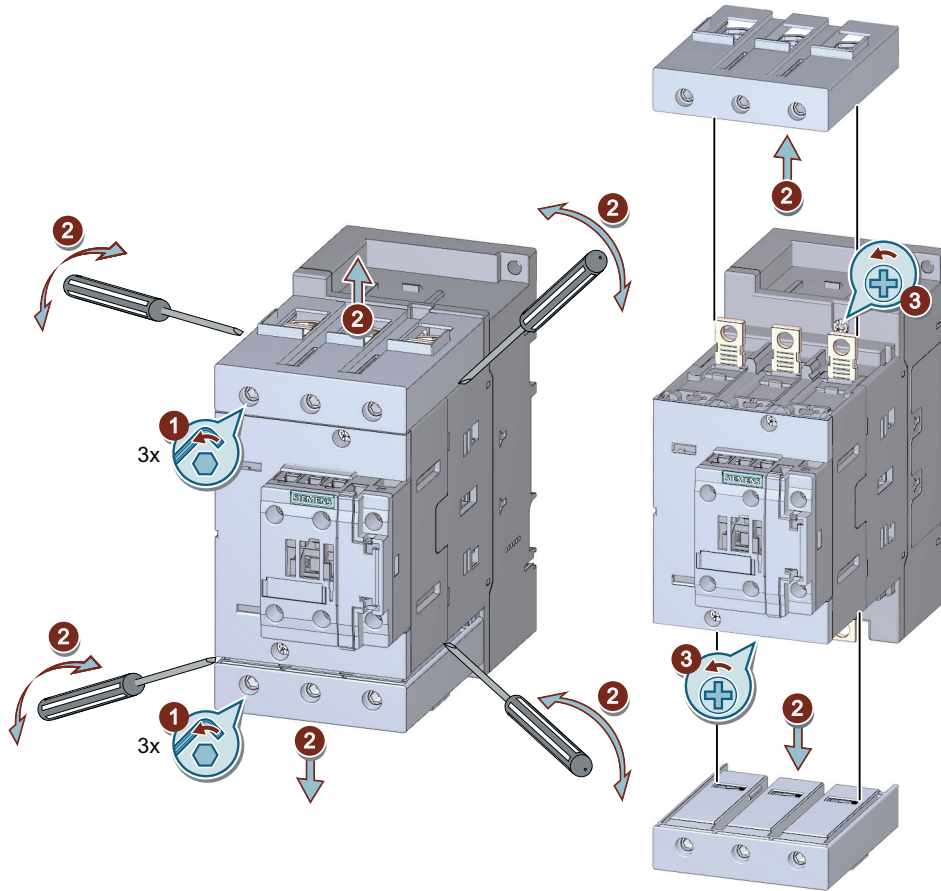
Can Cause Death, Serious Injury, or Damage to Property.

Changing the solenoid coil for 3RT204.-.S.30 contactors is not permissible.

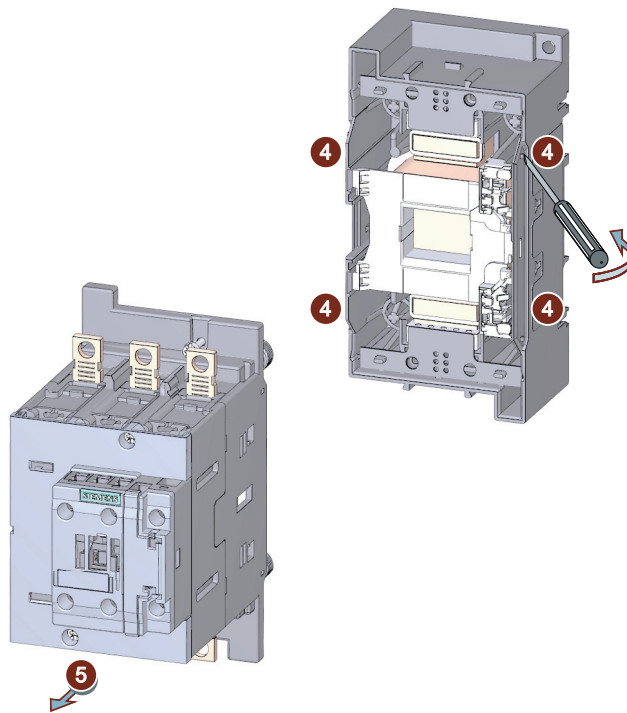
On the 3RT204.-.S.30 contactors with fail-safe control input, it is not permissible to change the solenoid coil.

| |
|---|
| <p>⚠ WARNING</p> <p>Hazardous voltage Can Cause Death, Serious Injury, or Damage to Property. Changing the solenoid coil for 3RT264. capacitor contactors is not permissible.</p> <p>On the 3RT264 capacitor contactors, it is not permissible to change the solenoid coil.</p> |
|---|

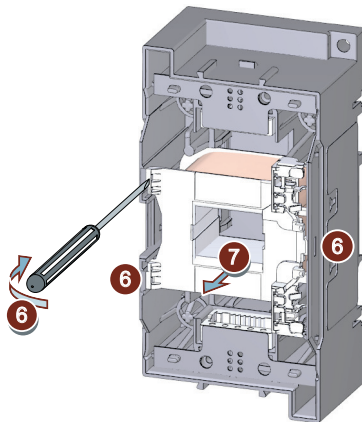
Replacing a solenoid coil (size S3 / AC and AC / DC)



- ① Use an Allen key to undo the screws of the detachable box terminal block.
- ② Carefully lever the detachable box terminal block from the contactor. Remove the box terminal block.
- ③ Use a screwdriver to undo the screws of the upper and lower parts of the enclosure.

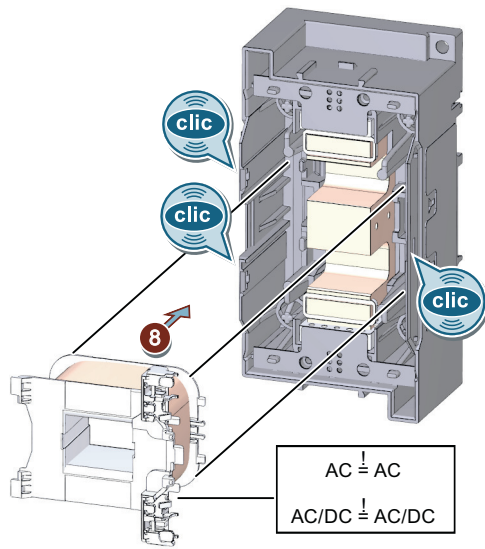


- ④ Open the latches of the contactor.
- ⑤ Push the two halves of the contactor apart.

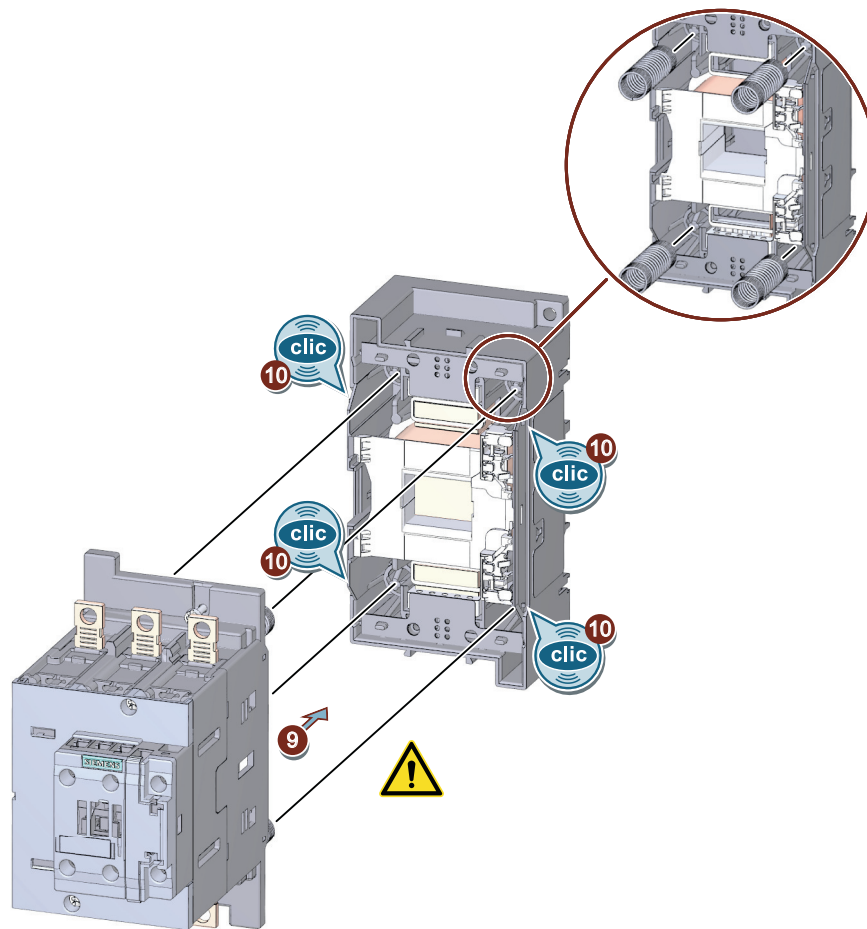


- ⑥ Lever the solenoid coil out of the carrier.
- ⑦ Remove the solenoid coil.

7.3 Replacing solenoid coils

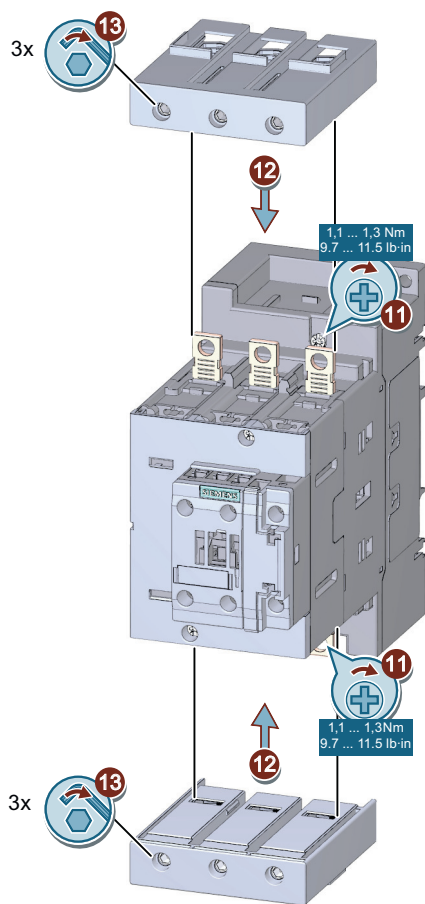


⑧ Insert the new solenoid coil.

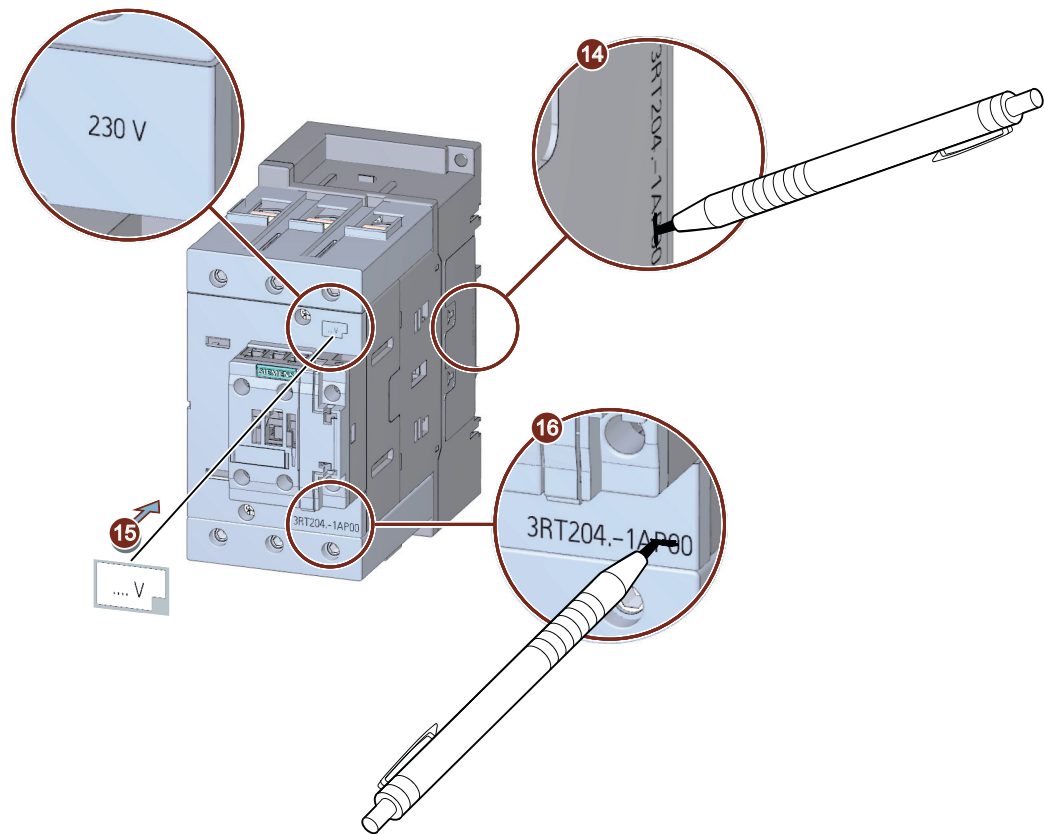


- ⑨/⑩ Slide the front part of the contactor (upper part of the enclosure) back onto the rear half (lower part of the enclosure) until the retaining clips engage. In doing so, make sure that the springs between the solenoid coil and the front half of the contactor are properly located on the support.

7.3 Replacing solenoid coils



- ①① Screw the two contactor halves together (1.1 - 1.3 Nm).
- ①②/①③ Place the terminals on the device and push them towards the rear. Make sure the terminals engage.



⑭/⑮/⑯ To label the coil voltage of the newly inserted operating mechanism, cover the control supply voltage specification with the labels supplied. Thoroughly cross out the article number.

7.3.4 Replacing solenoid coils for 3RT1.5, 3RT1.6, 3RT1.7 (sizes S6-S12)

Withdrawable coils


For simple coil replacement in sizes S6 to S12, the solenoid coil can be pulled out after the release mechanism has been actuated and can be replaced by any other coil of the same size.

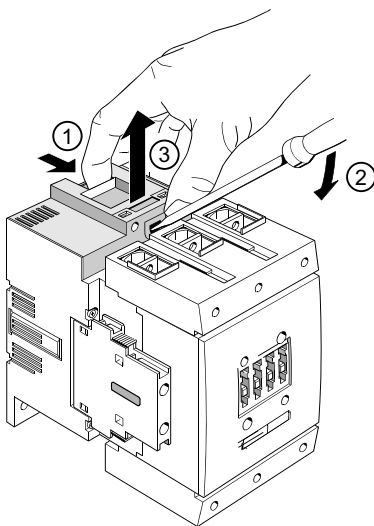
Table 7-1 Overview of the replaceable solenoid coils

| Operating mechanism version | Contactor version | | | |
|-----------------------------|-------------------------------|--------------------|-------------------------------|-------------------------------|
| | 3RT105. 3RT106. 3RT107. | 3RT126. 3RT127. | 3RT135. 3RT136. 3RT137. | 3RT145. 3RT146. 3RT147. |
| 3RT1...-A | ✓ | ✓ | --- | ✓ |
| 3RT1...-N | ✓ | ✓ | 1) | ✓ |
| 3RT1...-P | ✓ | ✓ | 1) | ✓ |

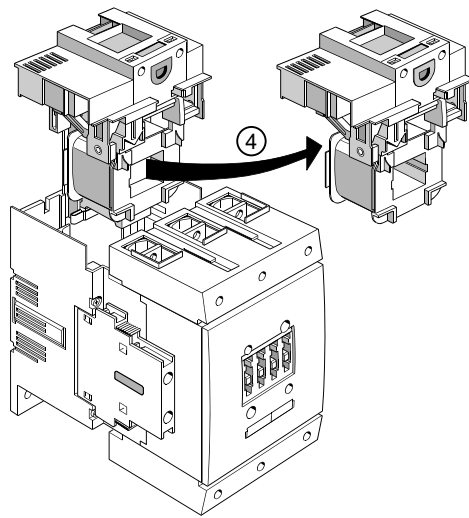
| Operating mechanism version | Contactor version | | | |
|-----------------------------|-------------------------------|--------------------|-------------------------------|-------------------------------|
| | 3RT105. 3RT106. 3RT107. | 3RT126. 3RT127. | 3RT135. 3RT136. 3RT137. | 3RT145. 3RT146. 3RT147. |
| 3RT1...-S | --- | --- | 1) | --- |
| 3RT1...-X | ✓ | --- | 1) | ✓ |

1) Operating mechanism variant not available.

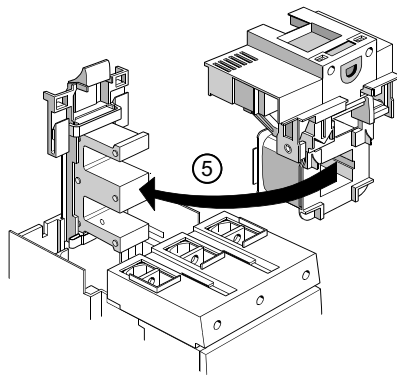
| |
|--|
|  WARNING |
| <p>Hazardous Voltage Can Cause Death, Serious Injury, or Damage to Property. Changing the solenoid coil for 3RT1...-S.36 contactors is not permissible.</p> <p>On the 3RT1...-S.36 contactors with fail-safe control input it is not permissible to change the solenoid coil.</p> |



- ① Actuate the release mechanism of the solenoid coil.
- ② For easier removal of the coil, insert a screwdriver into the recess provided and gently lever the solenoid coil out of its holder.
- ③ Remove the solenoid coil.

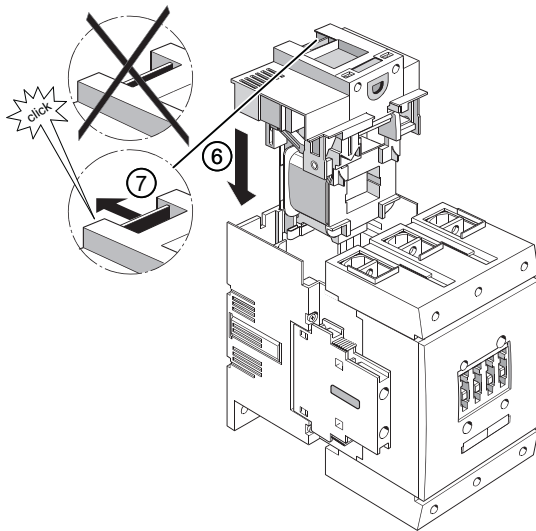


④ Remove the withdrawable coil.



⑤ Insert a new withdrawable coil.

7.3 Replacing solenoid coils



⑥ / ⑦ When re-installing, ensure that the interlock clearly engages again:

Configuration note

If the coil is also to be replaced when the contactor is installed, a clearance upwards of approximately 120 mm (for contactors of size S6) or 150 mm (size S10 and S12) must be taken into account when configuring.

Identical solenoid operating mechanisms

Regardless of the performance level, the solenoid operating mechanisms and thus the withdrawable coils within one size are identical.

Identical solenoid operating mechanisms / withdrawable coils (x):

| Size | Type | |
|------|--------------------------------------|-------------------------|
| | 3RT10 and 3RT14 air-break contactors | 3RT12 vacuum contactors |
| S6 | X | |
| S10 | X | X |
| S12 | X | X |

The 3RT1...-S.36 contactors with fail-safe control input provide the opportunity of implementing safety applications by means of control via a fail-safe output (PLC or safety relay). This control is only possible with a special version of the solenoid coil.

| |
|--|
| <p>⚠ WARNING</p> <p>Hazardous Voltage Can Cause Death, Serious Injury, or Damage to Property. Changing the solenoid coil for 3RT1...-S.36 contactors is not permissible.</p> <p>On the 3RT1...-S.36 contactors with fail-safe control input it is not permissible to change the solenoid coil.</p> |
|--|

Contactors without withdrawable coil

The air-break contactors and vacuum contactors are available across the entire performance range, even without a withdrawable coil.

The contactors can be equipped as needed with the desired withdrawable coil depending on the version of the operating mechanism, the desired control, and the available supply voltage (Article No. of this version of contactor: 3RT1...-LA06).

7.3.5 Changing the solenoid coils 3RT148

Withdrawable coils

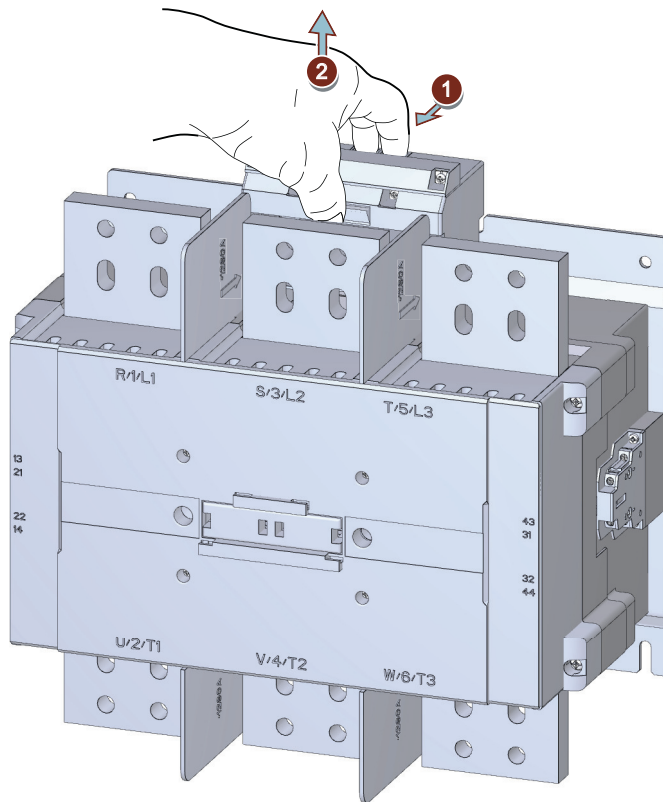
For simple coil replacement, the solenoid coil can be pulled out after the release mechanism has been actuated and can be replaced by any other coil.

The figure below shows how to replace the withdrawable coil on a 3RT1487 contactor.

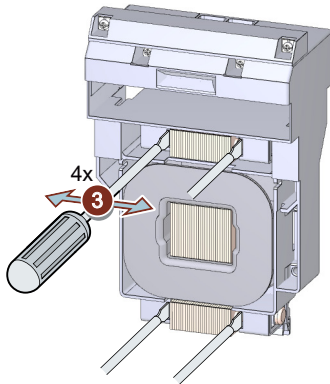
Note

Proceed in the same way to assemble/disassemble the withdrawable coil at 3RT1481, 3RT1482, 3RT1483, 3RT1485 and 3RT1486 contactors.

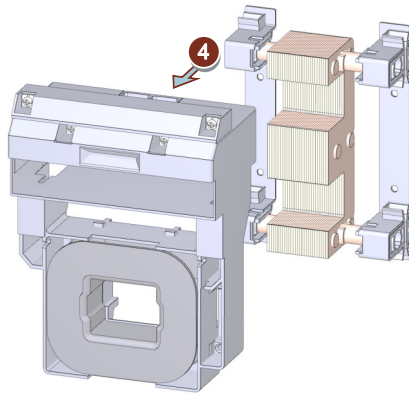
7.3 Replacing solenoid coils



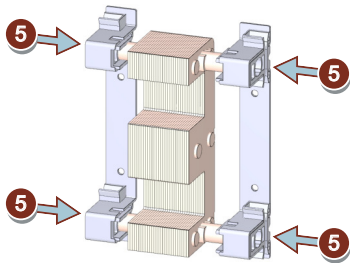
- ① Actuate the release mechanism of the solenoid coil.
- ② Remove the solenoid coil.



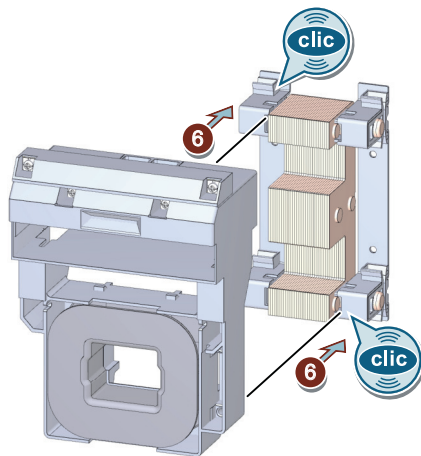
- ③ Push the support apart.



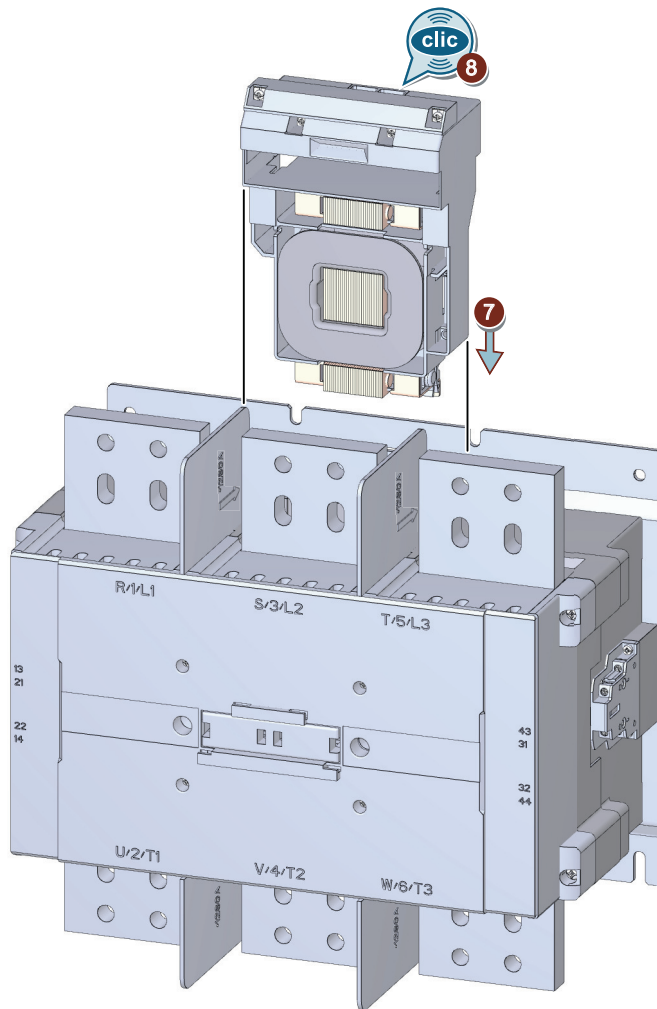
④ Remove the solenoid coil.



⑤ Slide both supports for the iron core together.



⑥ Slide the new solenoid coil onto the iron core.



⑦ / ⑧ Make sure that the solenoid coil clearly engages on reinsertion.

7.4 Contact piece replacement (sizes S2 to S12)

7.4.1 Contact piece replacement (size S2)

The contact pieces can be replaced in the case of size S2 contactors.

⚠ WARNING

**Hazardous voltage
Can Cause Death, Serious Injury, or Damage to Property.
Changing the contact pieces for 3RT203.-.S.30 contactors is not permissible.**

On the 3RT203.-.S.30 contactors with fail-safe control input, it is not permissible to change the contact pieces.

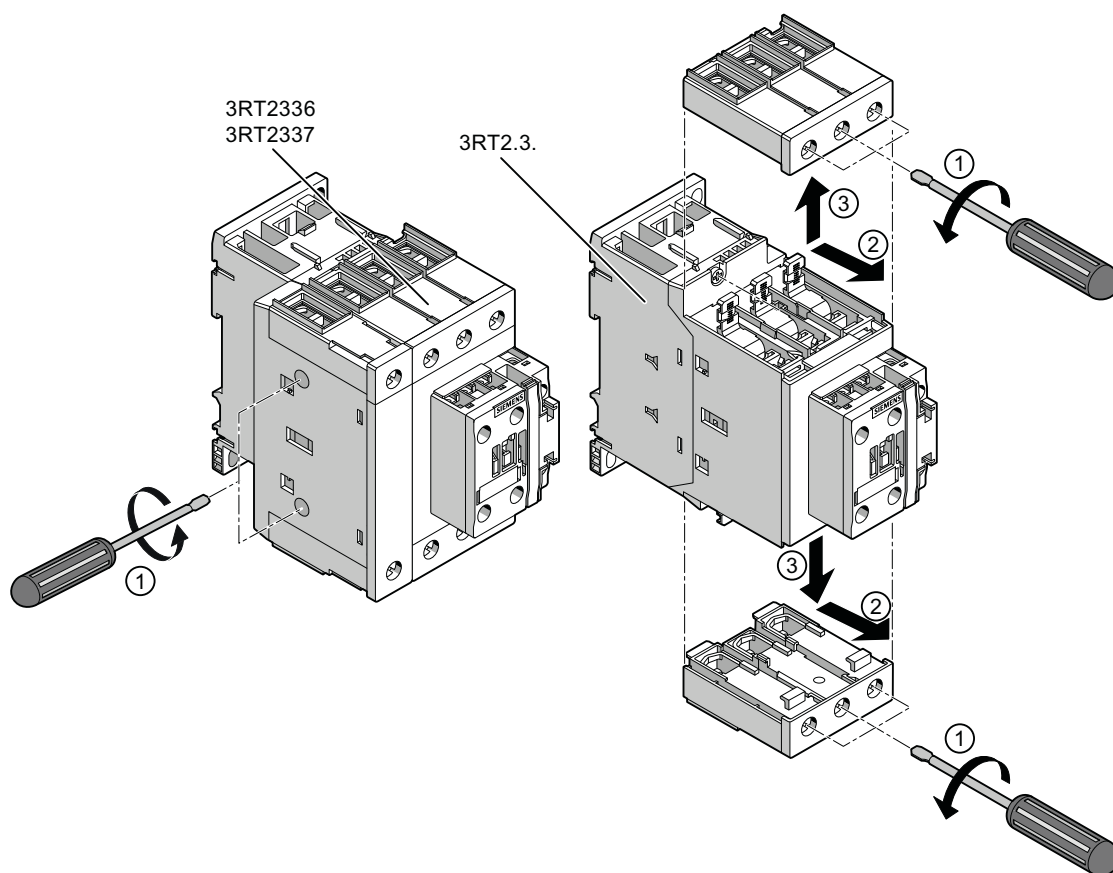
⚠ WARNING

Hazardous voltage

Can Cause Death, Serious Injury, or Damage to Property.

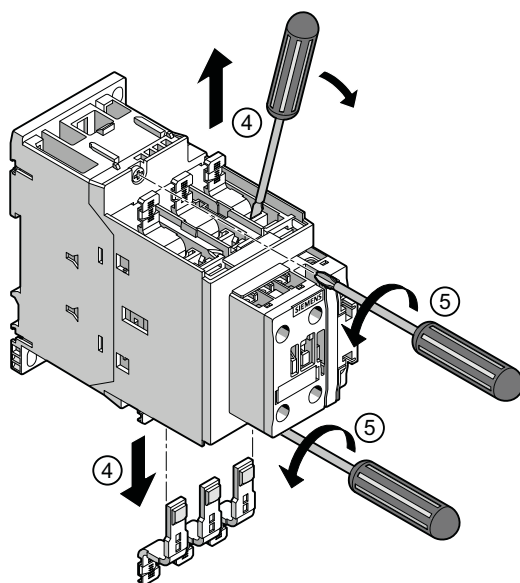
Changing the contact pieces for 3RT263. capacitor contactors is not permissible.

On the 3RT263 capacitor contactors, it is not permissible to change the contact pieces.

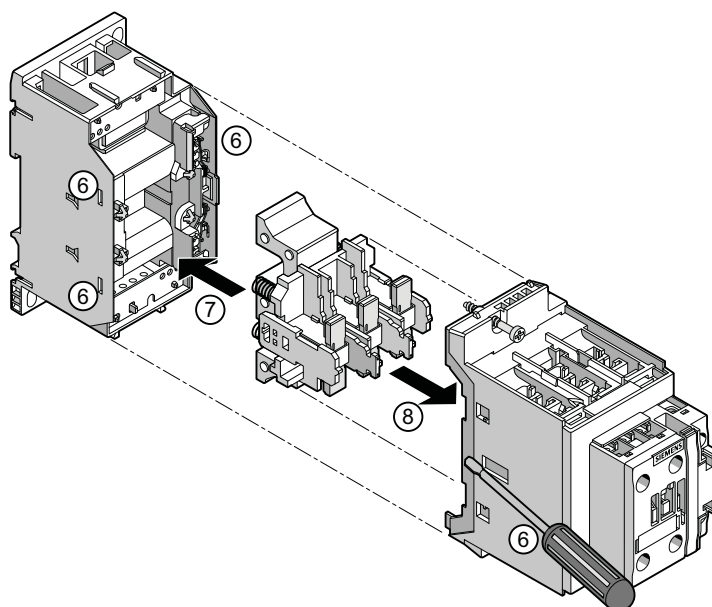


- ① 3RT2336 /3RT2337: Use a screwdriver to remove the fourth pole.
3RT2.3: Use an Allen key to undo the screws of the detachable terminals.
- ② Pull the terminals forward slightly.
- ③ Remove the terminals.

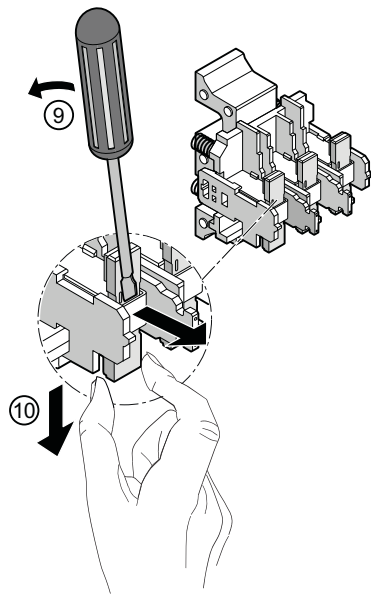
7.4 Contact piece replacement (sizes S2 to S12)



- ④ Remove the fixed contacts.
- ⑤ Use a screwdriver to undo the screws.

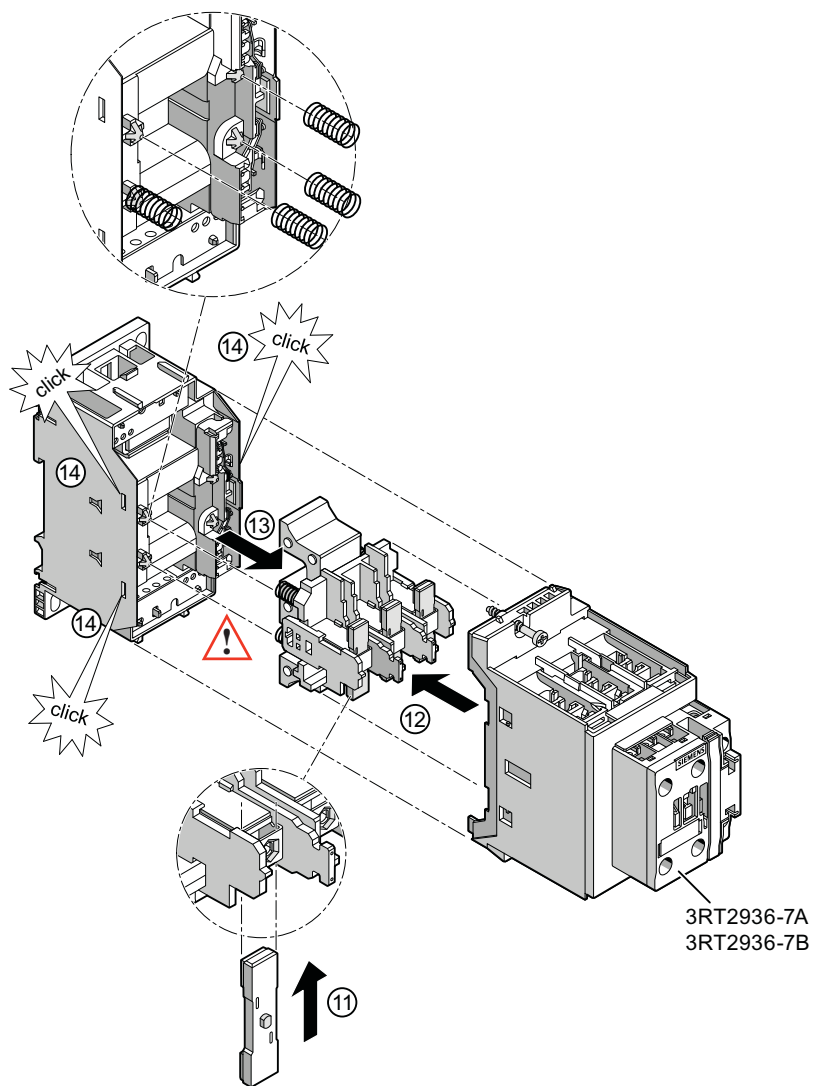


- ⑥ Push the two halves of the contactor apart. Note the lateral latching here.
- ⑦/⑧ Take the contact piece carrier of the movable contacts out of the rear half of the contactor.

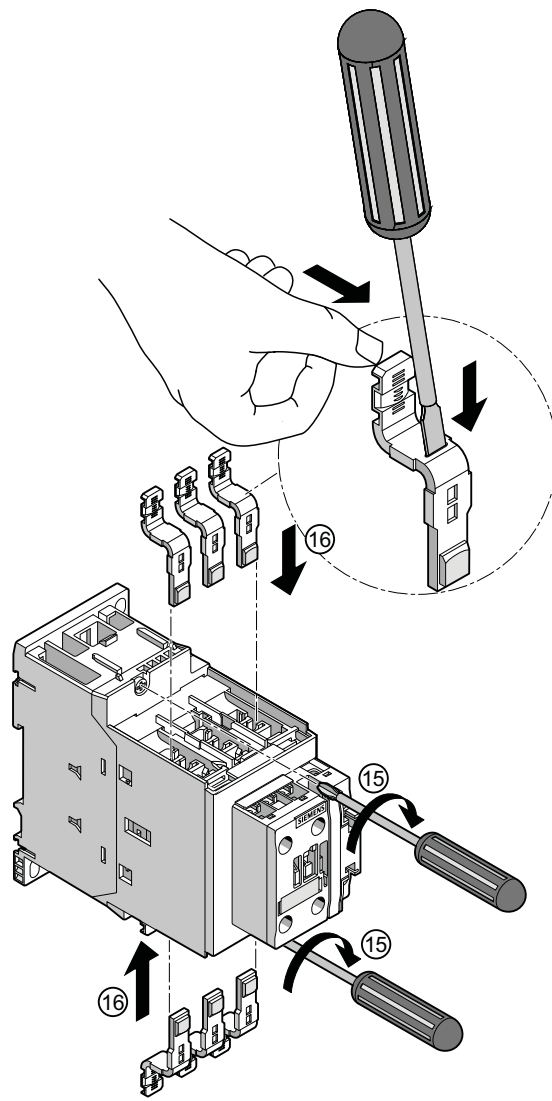


⑨/⑩ Use a screwdriver to lever the fixed contacts from the contact piece carrier.

7.4 Contact piece replacement (sizes S2 to S12)

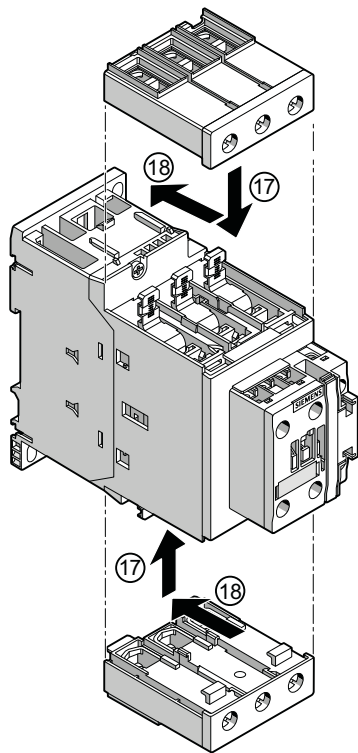


- ⑪ Slide the new movable contact into the contact piece support.
- ⑫/⑬/⑭ Slide the front part of the contactor back onto the rear half until the retaining clips engage.

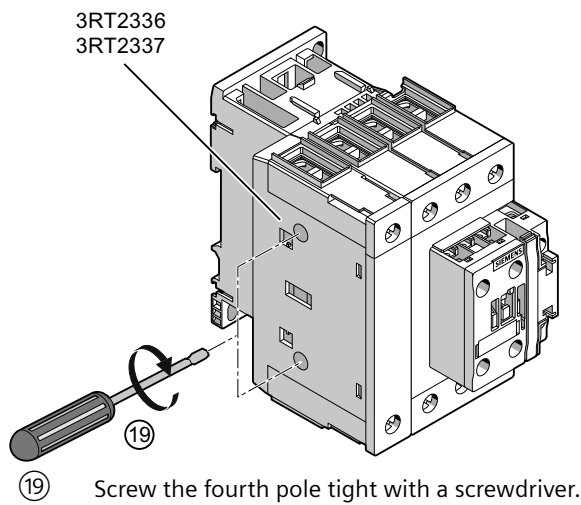


- ⑮ Slide the new fixed contact into the contact piece support until it is firmly in place.
- ⑯ Screw the two contactor halves together (1.1 - 1.3 Nm) using a screwdriver.

7.4 Contact piece replacement (sizes S2 to S12)



- ⑰ Place the terminals on the device.
- ⑱ Slide the terminals back slightly. Make sure the terminals engage.



- ⑲ Screw the fourth pole tight with a screwdriver.

7.4.2 Contact piece replacement (size S3)

The contact pieces can be replaced in the case of size S3 contactors.

WARNING

Hazardous voltage

Can Cause Death, Serious Injury, or Damage to Property.

Changing the contact pieces for 3RT204.-.S.30 contactors is not permissible.

On the 3RT204.-.S.30 contactors with fail-safe control input, it is not permissible to change the contact pieces.

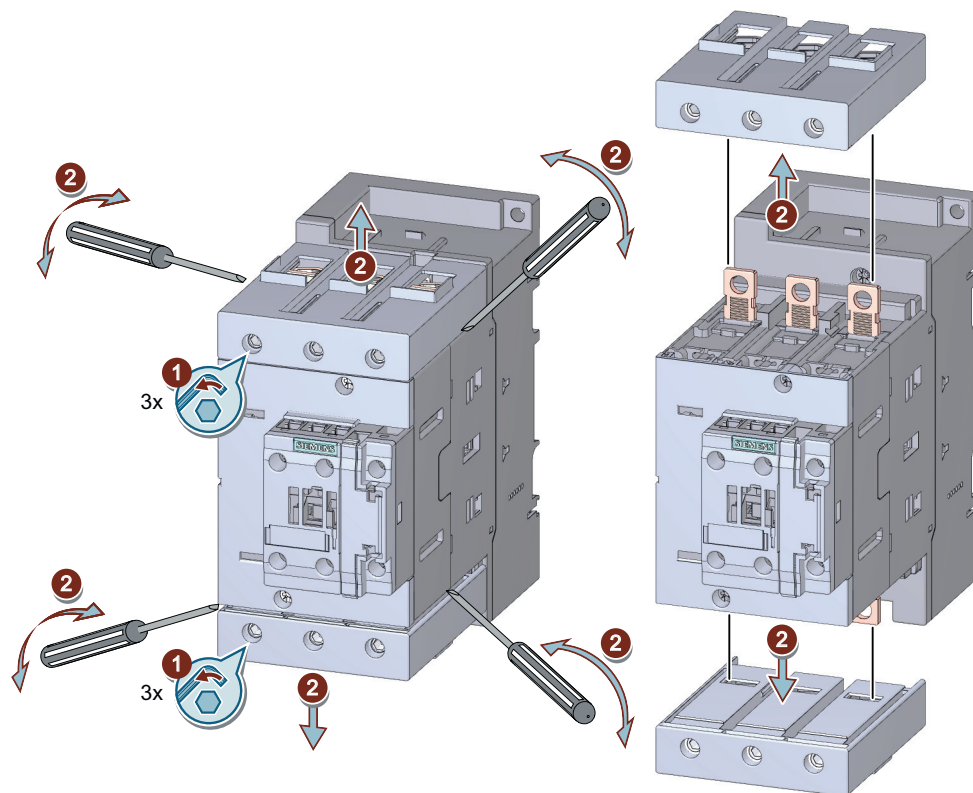
WARNING

Hazardous voltage

Can Cause Death, Serious Injury, or Damage to Property.

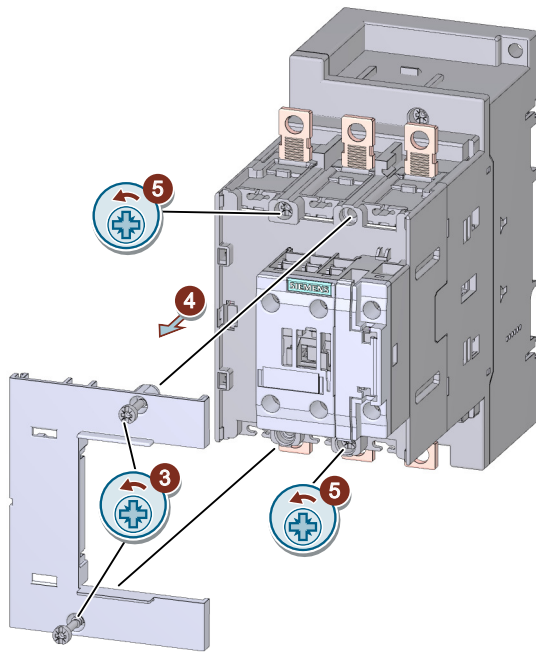
Changing the contact pieces for 3RT264. capacitor contactors is not permissible.

On the 3RT264 capacitor contactors, it is not permissible to change the contact pieces.

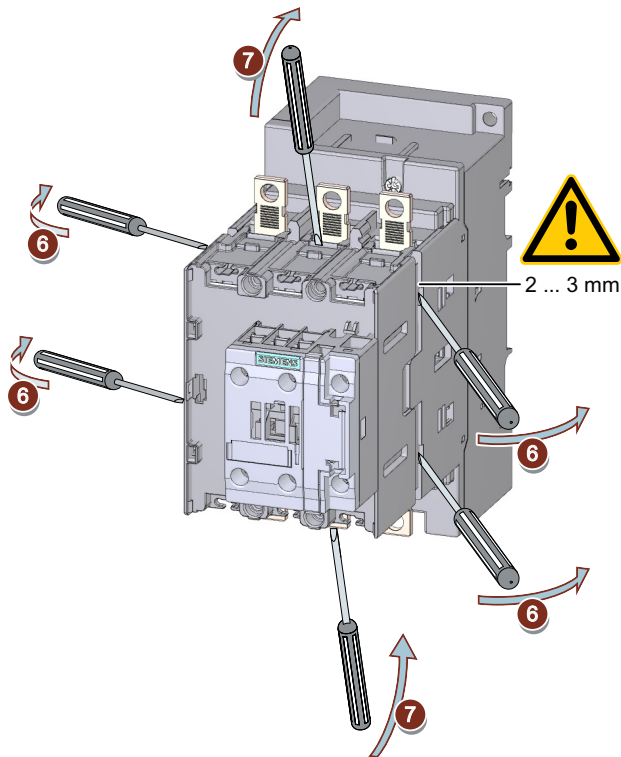


- ① Use an Allen key to undo the screws of the detachable box terminal block.
- ② Carefully lever the detachable box terminal block from the contactor. Remove the box terminal block.

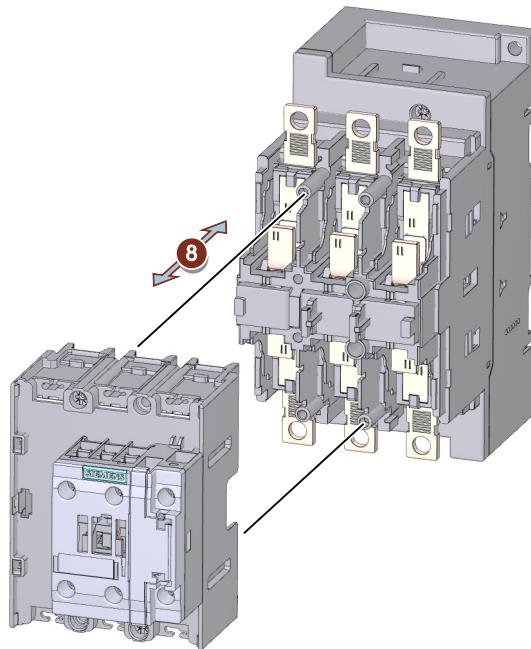
7.4 Contact piece replacement (sizes S2 to S12)



- ③ Use a screwdriver to undo the screws.
- ④ Remove the cover.
- ⑤ Use a screwdriver to undo the screws.

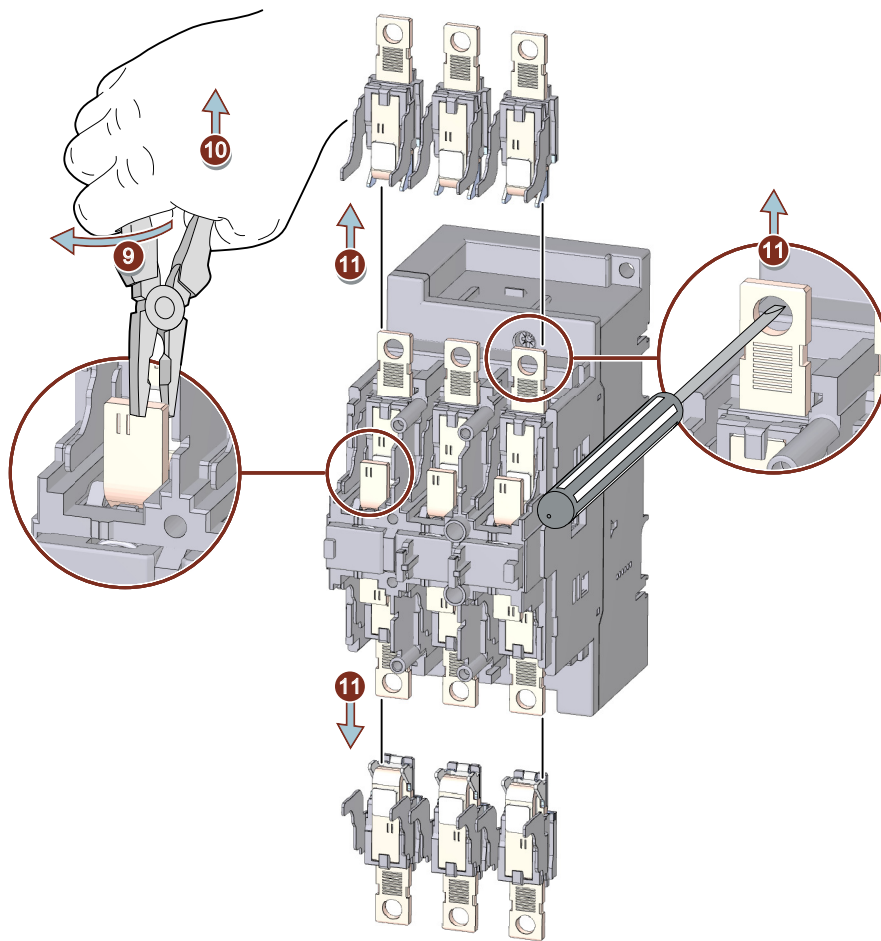


- ⑥ / ⑦ Use a screwdriver to pry the two halves of the contactor apart. Note the lateral latching here.



- ⑧ Take the contact piece carrier of the movable contacts out of the rear half of the contactor.

7.4 Contact piece replacement (sizes S2 to S12)

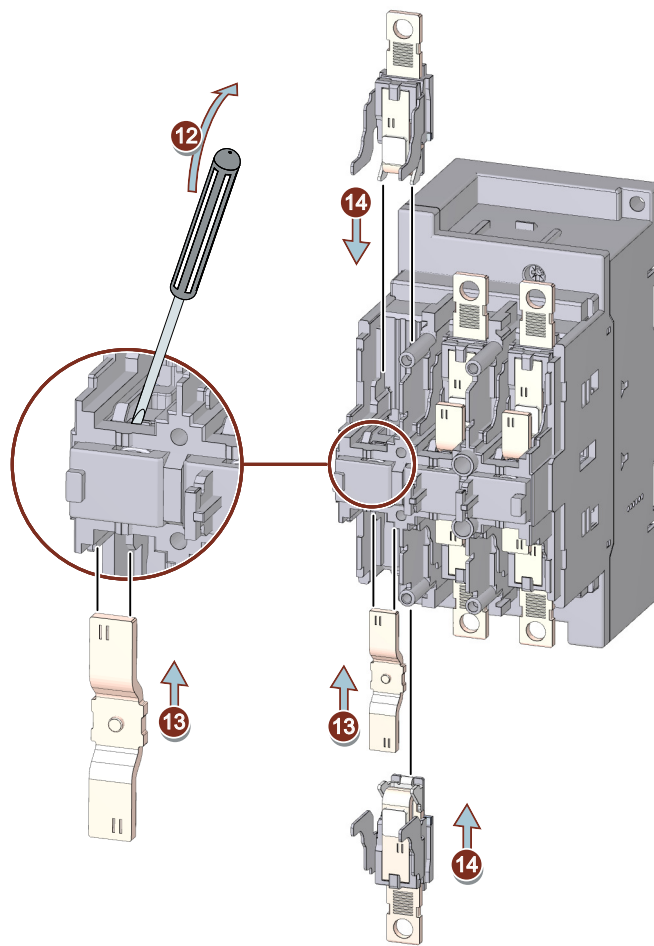


⑨/⑩

Use a pair of pliers to remove the movable contacts from the contact piece carrier.

⑪

Use a screwdriver to lever the fixed contacts from the contact piece carrier.



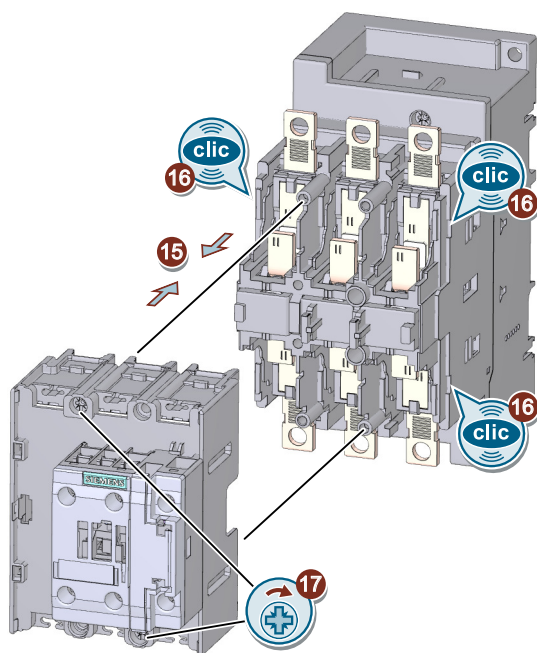
⑫/⑬

Using a screwdriver, slide the new movable contact into the contact piece support.

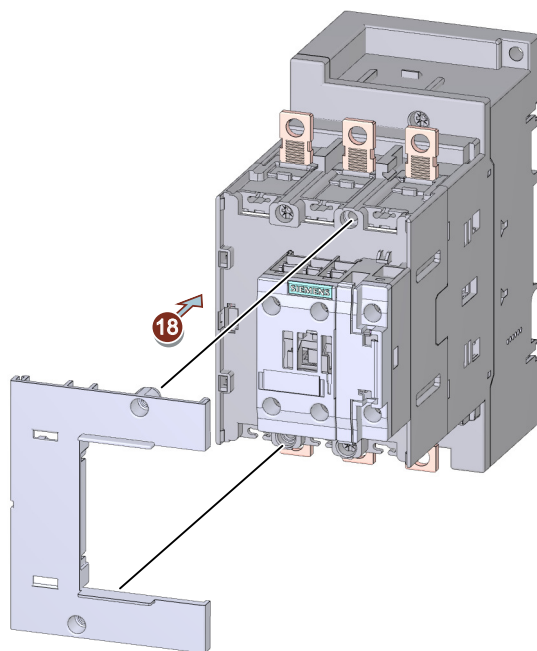
⑭

Slide the new fixed contact into the contact piece support until it is firmly in place.

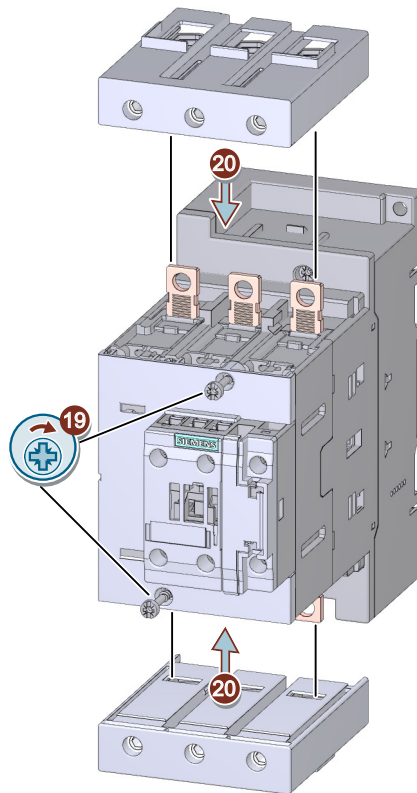
7.4 Contact piece replacement (sizes S2 to S12)



- ⑮/⑯ Slide the front part of the contactor back onto the rear half until the retaining clips engage.
- ⑰ Screw the two contactor halves together (1.1 - 1.3 Nm) using a screwdriver.



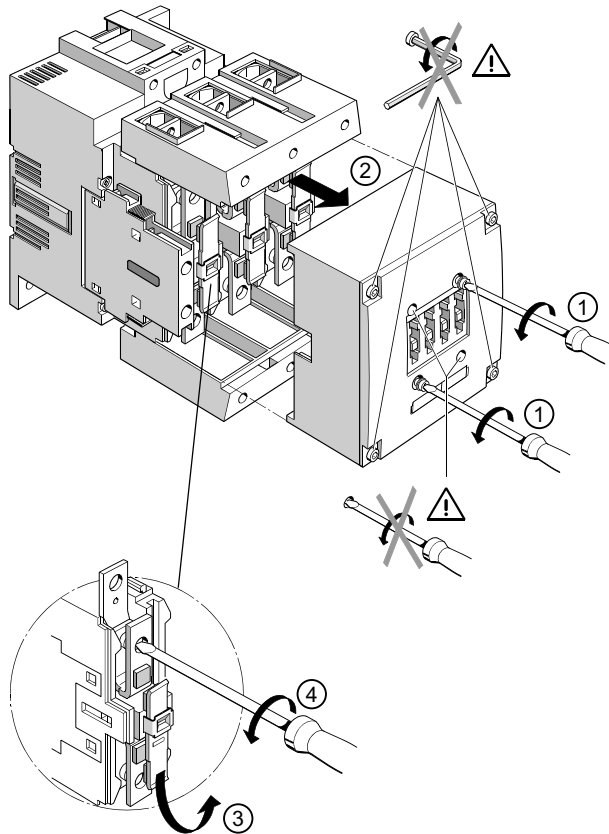
- ⑱ Mount the cover.



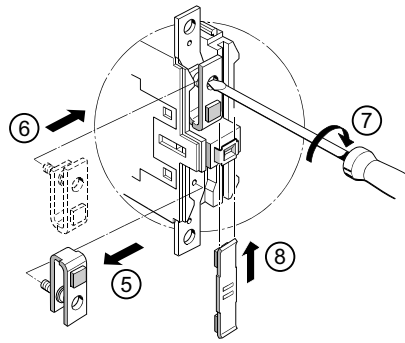
- ①⑨ Tighten the screws to secure the cover (1.1 to 1.3 Nm).
- ①⑩ Mount the box terminal block on the device. Ensure that the box terminal block snaps in correctly.

7.4.3 Contact piece replacement (size S6)

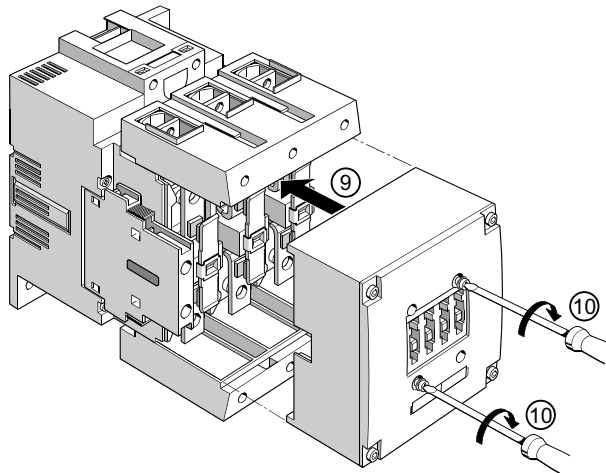
The contact pieces can be replaced in the case of size S6 3RT10 and 3RT14 contactors. When replacing for the third time, the arc chamber must be replaced at the same time. It is not possible to replace the contact piece for the size S6 3RT13 contactors.



- ①/② Undo the two screws on the front plate of the contactor and remove the arc chamber.
- ③ Remove the contact piece by slightly tilting it and pulling it out with a swivel movement.
- ④ Undo the two screws that fix the non-movable contacts.



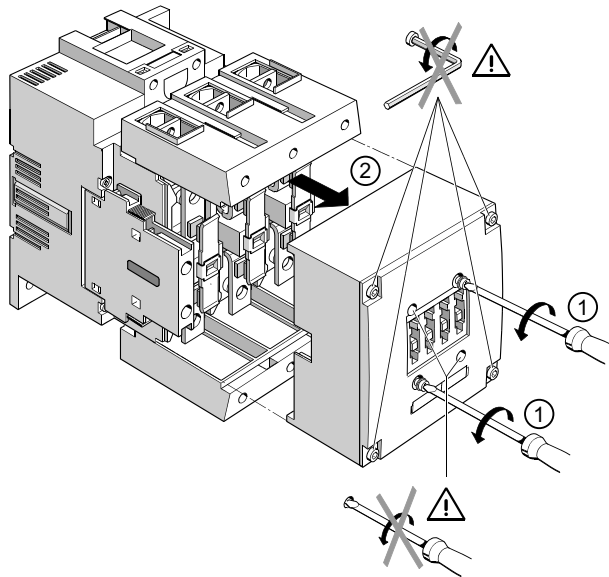
- ⑤ Remove the old contact pieces.
- ⑥ Insert the new contact pieces.
- ⑦ Screw the new contact pieces tight.
- ⑧ Slide in a new movable contact piece.



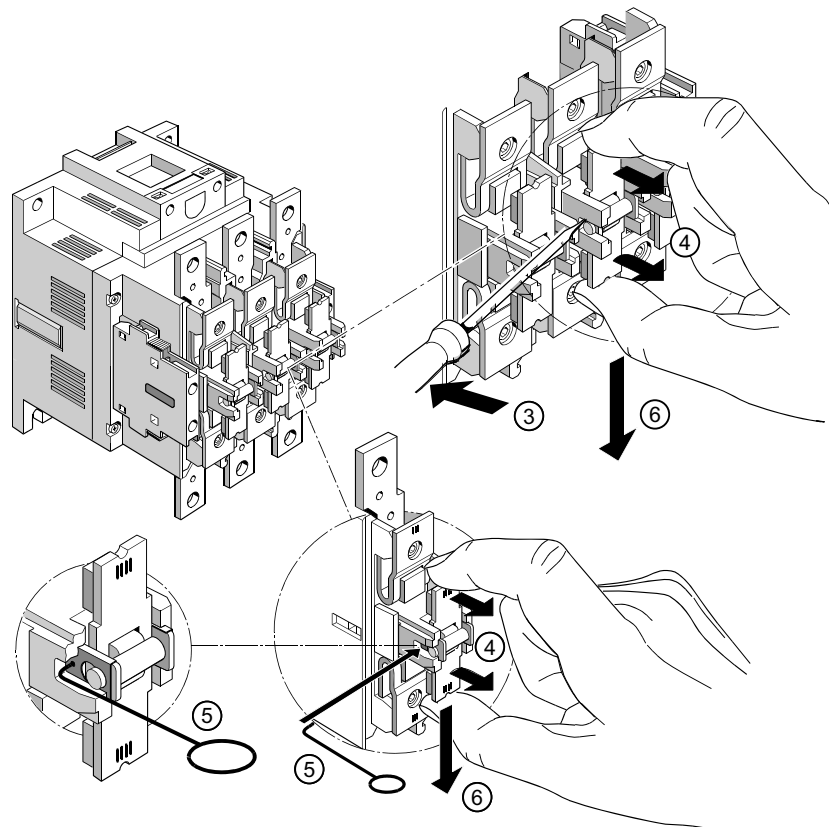
- ⑨ Re-attach the arc chambers.
- ⑩ Tighten the two screws on the front plate again.

7.4.4 Contact piece replacement (size S10 and S12)

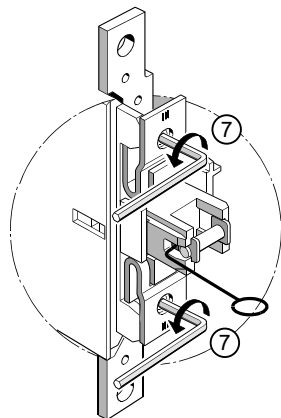
The contact pieces can be replaced in the case of size S10 and S12 3RT10 and 3RT14 contactors. When replacing for the third time, the arc chamber must be replaced at the same time. It is not possible to replace the contact piece for the size S10 and S12 3RT13 contactors.



- ①/② Undo the two screws (hexagon socket-head screws SW4) on the front plate of the contactor and remove the arc chamber.

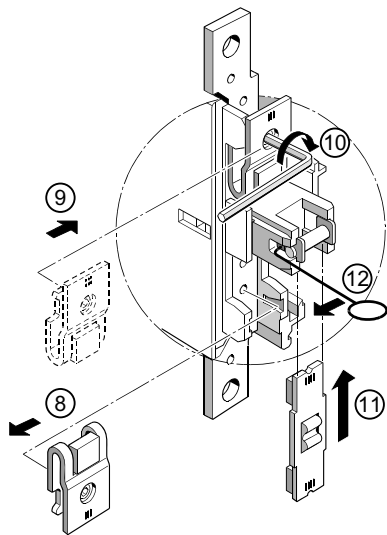


- ③ Remove the movable contact and proceed as follows in doing so: Use a screwdriver to lift up the contact piece slightly.
- ④ Pull the contact piece slightly forward with two fingers.
- ⑤ To prevent the sprung terminal clamp from slipping back, insert the accompanying hook into the opening on the side of the contact piece holder that is accessed by removing the contact piece.
- ⑥ Remove the contact piece from the bottom.

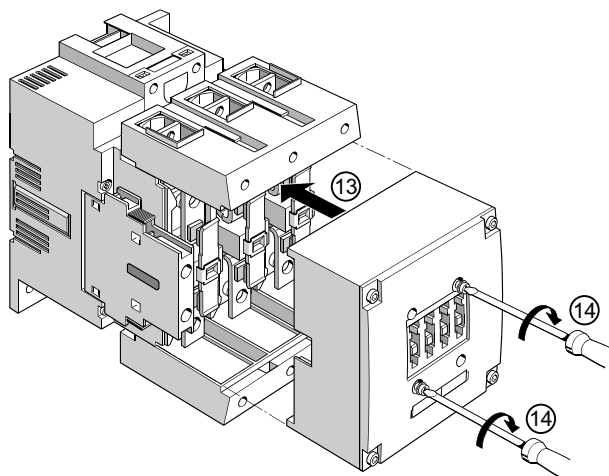


- ⑦ Undo the two screws that fix the non-movable contacts.

7.5 Replacing the vacuum interrupters (sizes S10 and S12)



- ⑧ Remove the old contact pieces.
- ⑨ Insert the new contact pieces.
- ⑩ Screw the new contact pieces tight.
- ⑪ Slide in a new movable contact piece.
- ⑫ Pull the locking hook out.



- ⑬ Re-attach the arc chambers.
- ⑭ Tighten the two screws on the front plate again.

7.5 Replacing the vacuum interrupters (sizes S10 and S12)

The vacuum interrupters can be replaced on the 3RT12 vacuum contactors.

The three switch position indicators on the front side of the contactors serve at the same time to indicate contact erosion / wear for each of the three vacuum interrupters. When the limit mark

7.5 Replacing the vacuum interrupters (sizes S10 and S12)

of an interrupter is undershot (indicator line is at the level of the tool symbol), all three vacuum interrupters must be replaced.

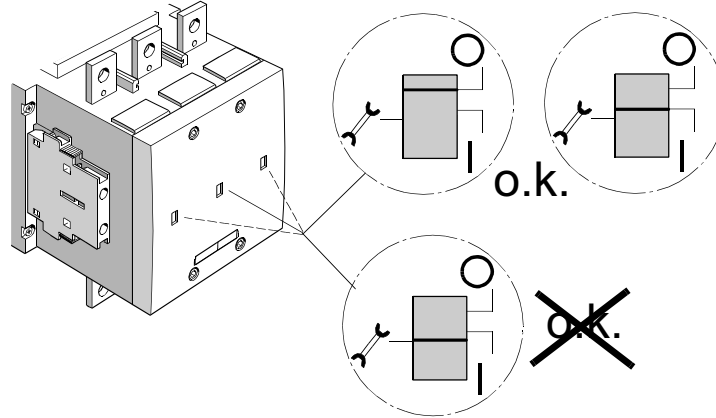
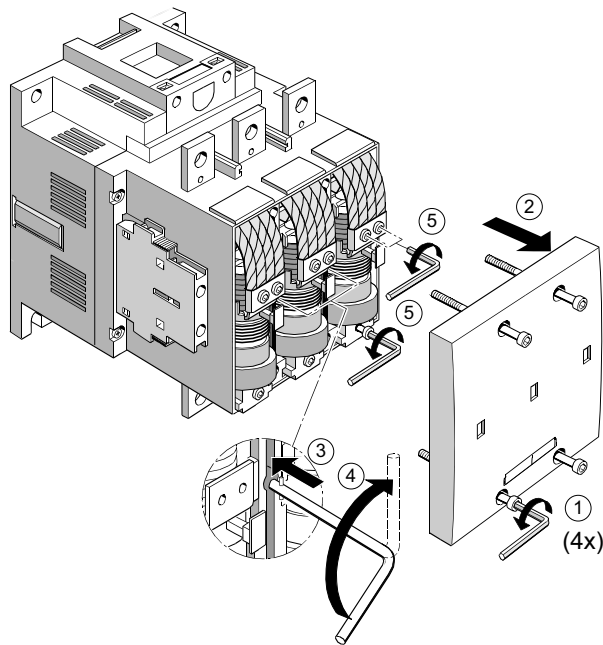


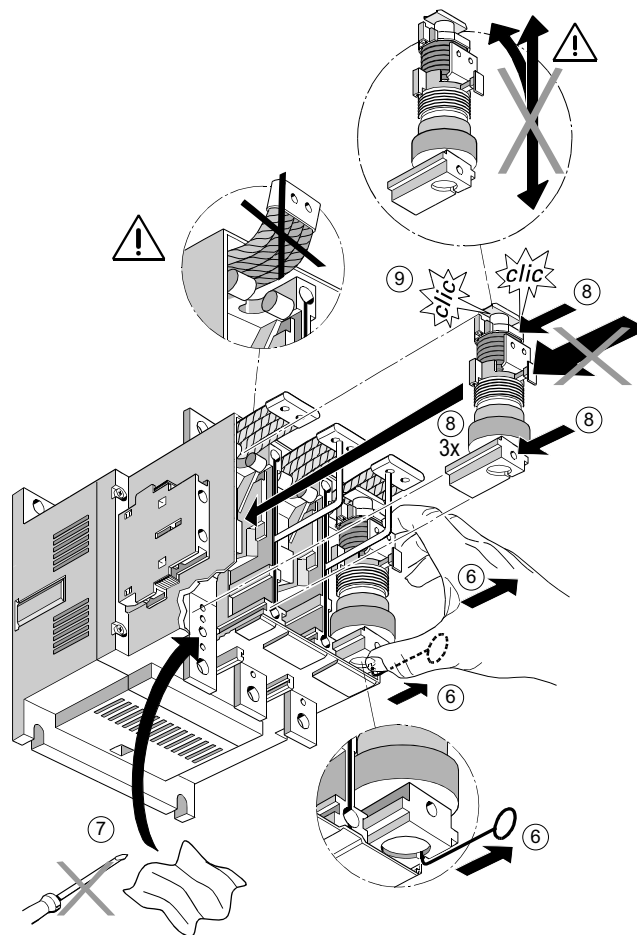
Figure 7-6 Contact erosion indicator and switch position indicator

7.5 Replacing the vacuum interrupters (sizes S10 and S12)



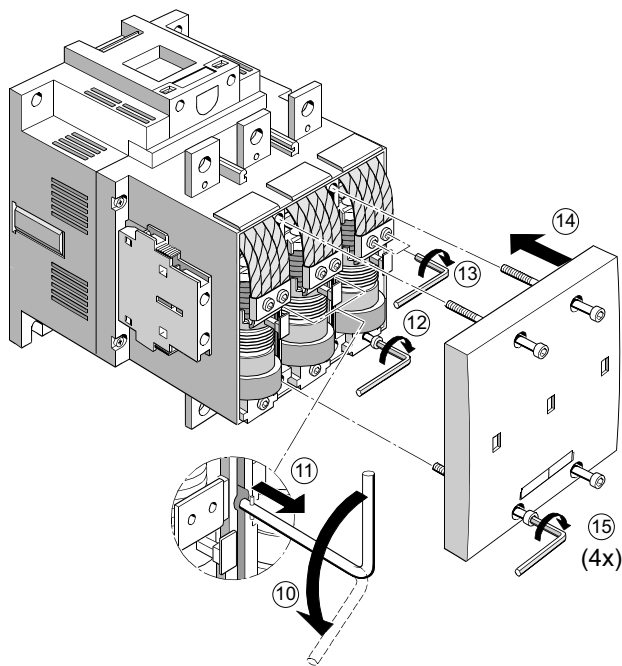
- ① Undo the four screws (hexagon socket-head screws SW4) on the front plate of the contactor.
- ② Remove the front plate.
- ③ Insert both of the releasing levers provided into the gaps between each 2 vacuum interrupters (a rounding cut in the adjacent side walls serves as an orientation guide).
- ④ Turn the lever upwards.
- ⑤ Loosen the Allen screws (three per vacuum interrupter) that secure the cable bands and the terminals.

7.5 Replacing the vacuum interrupters (sizes S10 and S12)



- ⑥ Grip the vacuum interrupters firmly at the top and bottom and pull them out slightly. Insert the enclosed hook into the opening on the underside of the interrupter so that you can fully remove it. Do not bend the flexible cable bands of the interrupters upwards.
- ⑦ Do not clean the contact pieces on the contactor with a sharp object, otherwise the smooth surface can be damaged.
- ⑧ Slide in the new vacuum interrupters until you hear a definitive click.
- ⑨ Do not bend the interrupters since this could destroy them.

7.5 Replacing the vacuum interrupters (sizes S10 and S12)



- ⑩ Turn the two release levers back.
- ⑪ Remove the two release levers.
- ⑫ Screw the terminals tight to the interrupters with the Allen key.
Tightening torque: 7.5 ... 8.5 Nm
- ⑬ Screw the cable bands tight to the interrupters with the Allen key.
Tightening torque: 4.4 ... 5.2 Nm
- ⑭ Attach the front plate.
- ⑮ Tighten the 4 hexagon socket-head screws on the front plate.
Tightening torque: 2.8 ... 3.2 Nm

Connection

8.1 Warning notice



! DANGER

Hazardous voltage. Will cause death or serious injury.

Turn off and lock out all power supplying this device before working on this device.

Connection systems

The SIRIUS contactors are available for the main circuit with the following connection types:

- Size S00 and S0: Screw or spring-type terminals, solder pin connection (only possible for size S00, in conjunction with a solder pin adapter)
- Sizes S2 and S3: Screw terminals with box terminal block; direct connection to the connecting bars possible with cable lugs for size S3 when the box terminal is removed.
- Size S6 to S12: Screw terminals with connecting bars; the cables can be connected to the connecting bars using either cable lugs or flexible or rigid busbars. Alternatively, box terminal blocks are available as accessories.
- 3RT148 contactors: Busbar connection

The SIRIUS contactors are available for the auxiliary circuit/control circuit with the following connection types:

- Size S00 to S12: Screw terminals or spring-type terminals
- 3RT148 contactors: Screw-type connection system

Terminal designations

| Terminal | Designation |
|------------|--|
| A1 | Coil terminal + |
| A2 | Coil terminal - |
| L1, L2, L3 | Contactors' main circuit terminal to the power network |
| T1, T2, T3 | Contactors' main circuit terminal to the load/motor connection |
| 13, 14 | Auxiliary contact, closing |
| 21, 22 | Auxiliary contact, opening |

The auxiliary/control contacts have a two-digit designation:

- First digit: Consecutive number of the auxiliary contacts (sequence number).
- Second digit: Task of the respective auxiliary contact (function number).
E. g. 1-2 for NC contacts or 3-4 for NO contacts

8.1 Warning notice

Terminal designations of the auxiliary contacts

The terminal designations as per EN 50012 apply to size S00 contactors with an integrated auxiliary (NO) contact. Auxiliary contacts are fitted and arranged on size S0 contactors (integrated in the basic device) in accordance with the terminal designations contained in DIN EN 50012.

Additionally, for sizes S00 and S0, complete devices with permanently mounted auxiliary switches (2 NO contacts + 2 NC contacts in accordance with DIN EN 50012) are available.

Coil terminals

Size S00 to S3 contactors feature a coil terminal on the front. An adapter (3RT2926-4R./ coil terminal module) can be used to move the coil terminal up or down on size S0 / S2 / S3 contactors (compatible with 3RT102 / 3RT103).

Reference

| More information ... | Can be found in the chapter ... |
|---|---------------------------------|
| About the coil terminal module and how to mount it on a 3RT20 contactor (size S0) | Coil terminal module (Page 349) |

Screw connection

The devices with screw connections have the following features:

- All connections are equipped with captive screws (exception: 3RT148. and 3RH198. / 3RT198.)
- All connection points are supplied open (exception: 3RT148. and 3RH198. / 3RT198.)
- Screwdriver guides enable the use of machine screwdrivers
- On size S00, all connecting screws for main and auxiliary circuits have a uniform screw size (POZIDRIV cross-tip screw size 2) and thus require the same tightening torque.
- On all sizes (S00 to S12), the connecting screws for the auxiliary conductor connections are identical (POZIDRIV size 2, no bit replacement, uniform tightening torque).
- On 3RT148. contactors, the connecting screws for the auxiliary conductor connections are identical (PH 1, no bit replacement, uniform tightening torque).

Spring-loaded connection

Devices with spring-loaded connection system have the following properties:

- The contactors are recommended when powerful shaking or vibration is to be expected at the location of use.
- The terminals are suitable for 2-conductor connection.
- All connections can be accessed from the front and are clearly arranged.
- A maximum of 2 conductors with a cross-section of 0.25 mm² to max. 2.5 mm² can be used at each connection point.

Solder pin connection

For applications where the contactors are to be soldered onto a PCB directly, a solder pin adapter is available for SIRIUS size S00 contactors up to 5.5 kW or 12 A.

Devices with a solder pin connection have the following properties:

- The terminals are suitable for a 1-conductor connection.
- All connections can be accessed from the front and are clearly arranged.
- A maximum of 2 conductors with a cross-section of 0.25 mm² to max. 2.5 mm² can be used at each connection point.

Reference

| More information ... | Can be found in the chapter ... |
|--|---------------------------------|
| About the solder pin adapter and how to mount it on a motor/contactor relay (size S00) | Solder pin adapter (Page 348) |

2-conductor connection

2 conductor ends can be connected to every main, auxiliary, and control circuit connection. These connections are also suitable for untreated conductors, which may have varying cross-sections. This connection system offers numerous benefits, including laying the foundations for problem-free looping through and parallel connection without intermediate terminals.

Notes on the protection of device connections of all contactor types

| | | |
|-----|-----------------|---|
| A1+ | Coil terminal + | <p>Observe the relevant standards and regulations for the configuration of control panels and the parts and components contained in them, e.g. when dimensioning the cables.</p> <p>Select a current-limiting power supply, for example, to protect these circuits.</p> <p>When selecting the source and the connecting cable, observe the load characteristics of the contactor, e.g. short-time peak inrush currents for contactor drives, switch-on power, and holding power. The same applies to the selection of suitable protection devices.</p> <p>For the contactor types 3RT1...-N... and 3RT1...-P..., the supply voltage connection A1/A2 must be protected against short circuit and overload. For the contactor types 3RT1...-S..., protection of A1/A2 is already integrated in the device.</p> <p>If there are further switching elements in the electric circuits, such as the auxiliary contact system of an overload relay which controls the contactor, the short-circuit protection necessary for the overload relay must also be considered.</p> <p>You can find technical data of the product in the Siemens Industry Online Support (https://support.industry.siemens.com/cs/ww/en/ps/16132/td).</p> <p>Further recommendations, e.g. the use of miniature circuit-breakers or equipment circuit-breakers in control circuits, can be found under the following link: Practical tip for control panels: Selecting and dimensioning suitable power supplies quickly and reliably (https://new.siemens.com/global/en/markets/panel-building/tips/design-and-engineering-in-the-control-circuit.html).</p> |
| A2- | Coil terminal - | |

8.2 Conductor cross-sections

| | | | |
|--|--|--|--|
| IN+/IN- (3RT1...-P... and 3RT1...-N...) | PLC input | <p>In addition to contactor control via a control supply voltage (power supply and control on the same cable), there are also contactor types in which the power supply and control signal are separate. Protect the separated circuits against short-circuit and overload by suitable measures.</p> <p>Contactor types with digital control inputs:</p> <ul style="list-style-type: none"> • PLC input at 3RT1...-N... • PLC input at 3RT1...-P... • F-PLC input 3RT1...-S... / 3RT2...-S... <p>Protect the digital control input (3RT1...-P...: IN+/IN-, 3RT1...-S... and 3RT2...-S... : F-PLC IN+/ F-PLC IN-) according to its type according to IEC60947-1 Annex S with its typical rated current. You can find technical specifications of the product in the Siemens Industry Online Support (https://support.industry.siemens.com/cs/ww/en/ps/16132/td).</p> | |
| F-PLC IN+/F-PLC IN- (3RT1...-S... and 3RT2...-S...) | | | |
| 1/L1 3/L2 5/L3 | Contactor's main circuit terminal to the power network | <p>The specifications for short-circuit protection (fuses, circuit breakers, or miniature circuit breakers) are available for the device connections of the main circuit and the auxiliary circuit.</p> <p>You can find technical specifications of the product in the Siemens Industry Online Support (https://support.industry.siemens.com/cs/ww/en/ps/16132/td).</p> | |
| 2/T1 4/T2 6/T3 | | | Contactor's main circuit terminal to the load / motor connection |
| 13, 14 | | | |
| 21, 22 | Auxiliary contact, opening | | |

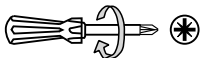
8.2 Conductor cross-sections

8.2.1 Conductor cross-sections for screw-type connection systems

Conductor cross-sections for screw-type connection systems

The tables below define the permissible conductor cross-sections for main terminals and auxiliary conductor connections in sizes S00 ... S3 for screw-type connection systems.

Table 8-1 Main conductors of size S00 with M3 combination screws (except 3RT26 capacitor contactors)

| | | 3RT2 contactors Size S00 |
|-------------------|---|----------------------------------|
| Tool |  | Pozidriv size PZ 2, Ø 5 ... 6 mm |
| Tightening torque | | 0.8 - 1.2 Nm |

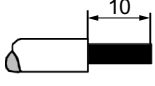
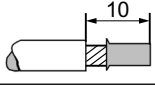
| | | 3RT2 contactors Size S00 |
|---------------------------------|---|-------------------------------------|
| Solid and stranded |  | 2 x (0.5 ... 1.5) mm ² |
| | | 2 x (0.75 ... 2.5) mm ² |
| | | Max. 2 x 4 mm ² |
| Finely stranded with end sleeve |  | 2 x (0.5 ... 1.5) mm ² |
| | | 2 x (0.75 ... 2.5) mm ² |
| AWG | | 2 x (20 ... 16) |
| | | 2 x (18 ... 14) |
| | | 2 x 12 |

Table 8-2 Main conductors of size S0 with M4 combination screws (except 3RT26 capacitor contactors)

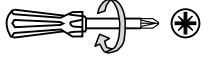

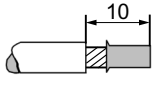
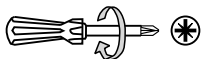

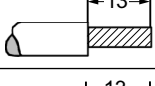
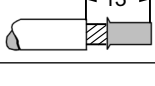
| | | 3RT2 contactors Size S0 |
|---------------------------------|---|------------------------------------|
| Tool |  | Pozidriv size PZ 2, Ø 5 ... 6 mm |
| Tightening torque | | 2.0 ... 2.5 Nm |
| Solid and stranded |  | 2 x (1.0 ... 2.5) mm ² |
| | | 2 x (2.5 ... 10) mm ² |
| Finely stranded with end sleeve |  | 2 x (1 ... 2.5) mm ² |
| | | 2 x (2.5 ... 6) mm ² |
| | | Max. 1 x 10 mm ² |
| AWG | | 2 x (16 ... 12) |
| | | 2 x (14 ... 8) |


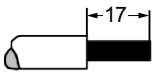
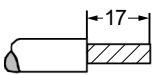
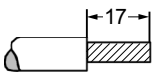
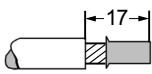
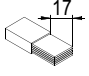
Table 8-3 Main conductors of size S2 with M6 box terminal (except 3RT26 capacitor contactors)

| | | 3RT2 contactors Size S2 |
|---------------------------------|---|-------------------------------------|
| Tool |  | Pozidriv size PZ 2, Ø 5 ... 6 mm |
| Tightening torque | | 3.0 ... 4.5 Nm (27 ... 40 lb.in) |
| Solid and stranded |  | 2 x (1.0 ... 35) mm ² |
| | | 1 x (1.0 ... 50) mm ² |
| Finely stranded |  | --- |
| Finely stranded with end sleeve |  | 2 x (1.0 ... 25) mm ² |
| | | 1 x (1.0 ... 35) mm ² |
| AWG | | 2 x (18 ... 2) |
| | | 1 x (18 ... 1) |

Connection

8.2 Conductor cross-sections

Table 8-4 Main conductors of size S3 with box terminal block (except 3RT26 capacitor contactors)

| | | 3RT2 contactors Size S3 |
|------------------------------------|---|---|
| Tool |  | 4 mm Allen key |
| Tightening torque | | 4.5 ... 6.0 Nm |
| Solid |  | 2 x (2.5 ... 16) mm ² |
| Stranded |  | 2 x (6 ... 16) mm ² |
| | | 2 x (10 ... 50) mm ² ¹⁾ |
| | | 1 x (10 ... 70) mm ² |
| Finely stranded without end sleeve |  | - |
| Finely stranded with end sleeve |  | 2 x (2.5 ... 35) mm ² |
| | | 1 x (2.5 ... 50) mm ² |
| Ribbon cables |  | 2 x (6 x 9 x 0.8) |
| AWG | | 2 x (10 to 1/0) |
| | | 1 x (10 to 2/0) |

¹⁾ Also, a solid conductor with 2.5 mm² can be clamped

Table 8-5 Main conductors of size S6 with box terminal block (3RT10 / 3RT14)

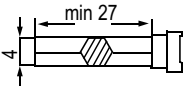



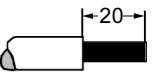
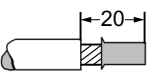
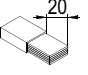
| | | 3RT1 contactor with box terminal block 3RT1955-4G Size S6 | | |
|---------------------------------|---|--|--|---|
| Tool | |  4 mm Allen key | | |
| Tightening torque | | 10.0 ... 12.0 Nm | | |
| | |  |  |  |
| Solid |  | 1 x (16 ... 70) mm ² | 1 x (16 ... 70) mm ² | max. 50 + 70 mm ² |
| Finely stranded with end sleeve |  | 1 x (16 ... 70) mm ² | 1 x (16 ... 70) mm ² | max. 50 + 70 mm ² |
| Ribbon cables |  | min. 3 x 9 x 0.8 max. 6 x 15.5 x 0.8 | | |
| AWG | | 1 x (AWG 6 to 2/0) | 1 x (AWG 6 to 2/0) | max. AWG 1/0 + 1/0 |

Table 8-6 Main conductors of size S6 with box terminal block (3RT10 / 3RT14)

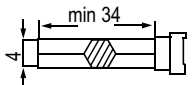

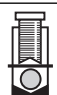

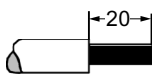
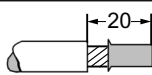
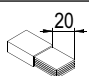
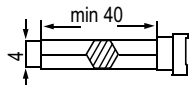




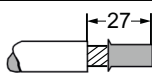
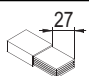
| | | 3RT1 contactor with box terminal block 3RT1956-4G Size S6 | | |
|---------------------------------|---|--|---|---|
| Tool | |  4 mm Allen key | | |
| Tightening torque | | 10.0 ... 12.0 Nm | | |
| | |  |  |  |
| Solid |  | 1 x (16 ... 120) mm ² | 1 x (16 ... 120) mm ² | max. 95 + 120 mm ² |
| Finely stranded with end sleeve |  | 1 x (16 ... 120) mm ² | 1 x (16 ... 120) mm ² | max. 95 + 120 mm ² |
| Ribbon cables |  | min. 3 x 9 x 0.8 max. 10 x 15.5 x 0.8 | | |
| AWG | | 1 x (AWG 6 to 250 kcmil) | 1 x (AWG 6 to 250 kcmil) | max. AWG 3/0 + 3/0 |

Table 8-7 Main conductors of size S10 / S12 with box terminal block (3RT106, 3RT107 / 3RT126, 3RT127 / 3RT146, 3RT147)

| | | 3RT1 contactor with box terminal block 3RT1966-4G Size S10 / S12 | | |
|---------------------------------|---|--|---|---|
| Tool | |  5 mm Allen key | | |
| Tightening torque | | 20.0 ... 22.0 Nm | | |
| | |  |  |  |
| Solid |  | 1 x (95 ... 300) mm ² | 1 x (120 ... 240) mm ² | min. 70 + 70 mm ² max. 240 + 240 mm ² |
| Finely stranded with end sleeve |  | 1 x (70 ... 240) mm ² | 1 x (120 ... 185) mm ² | min. 50 + 50 mm ² max. 185 + 185 mm ² |
| Ribbon cables |  | min. 6 x 9 x 0.8 max. 20 x 24 x 0.5 11 x 21 x 1 | | |
| AWG | | 1 x (AWG 3/0 to 600 kcmil) | 1 x (AWG 250 to 500 kcmil) | max. AWG 2/0 + 2/0 max AWG 500 + 500 |

Connection

8.2 Conductor cross-sections

Table 8-8 Auxiliary conductors of sizes S00 / S0 / S2 / S3 with M3 combination screws (3RT2)

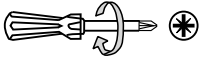
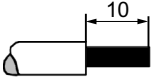
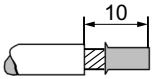
| | | Accessories for contactors | 3RT2 contactors Size S00 | 3RT2 contactors Sizes S0 / S2 / S3 |
|---------------------------------|---|------------------------------------|------------------------------------|------------------------------------|
| Tool |  | Pozidriv size PZ 2, Ø 5 ... 6 mm | | |
| Tightening torque | | 0.8 - 1.2 Nm | | |
| Solid and stranded |  | 2 x (0.5 ... 1.5) mm ² | 2 x (0.5 ... 1.5) mm ² | 2 x (0.5 ... 1.5) mm ² |
| | | 2 x (0.75 ... 2.5) mm ² | 2 x (0.75 ... 2.5) mm ² | 2 x (0.75 ... 2.5) mm ² |
| Finely stranded with end sleeve |  | 2 x (0.5 ... 1.5) mm ² | 2 x (0.5 ... 1.5) mm ² | 2 x (0.5 ... 1.5) mm ² |
| | | 2 x (0.75 ... 2.5) mm ² | 2 x (0.75 ... 2.5) mm ² | 2 x (0.75 ... 2.5) mm ² |
| AWG | | 2 x (20 ... 16) | 2 x (20 ... 16) | 2 x (20 ... 16) |
| | | 2 x (18 ... 14) | 2 x (18 ... 14) | 2 x (18 ... 14) |
| | | | 2 x 12 | |

Table 8-9 Auxiliary conductors of size S6 / S10 / S12 (3RT106, 3RT107 / 3RT126, 3RT127 / 3RT146, 3RT147)

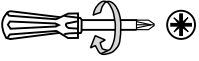
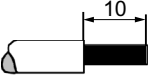
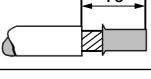
| | | Contactors Sizes S6 / S10 / S12 |
|---------------------------------|---|------------------------------------|
| Tool |  | Pozidriv size PZ 2, Ø 5 ... 6 mm |
| Tightening torque | | 0.8 - 1.2 Nm |
| Solid and stranded |  | 2 x (0.5 ... 1.5) mm ² |
| | | 2 x (0.75 ... 2.5) mm ² |
| Finely stranded with end sleeve |  | 2 x (0.5 to 2.5) mm ² |
| AWG | | 2 x (18 ... 14) |

Table 8-10 Auxiliary conductors of sizes S6 / S10 / S12 with M3.5 combination screws (3RT13)

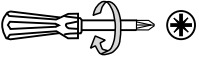
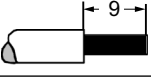
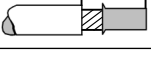
| | | 3RT13 contactors Sizes S6 / S10 / S12 |
|---------------------------------|---|---------------------------------------|
| Tool |  | Pozidriv size PZ 2, Ø 5.5 mm |
| Tightening torque | | 1.0 Nm |
| Solid and stranded |  | 1 x (1.0 ... 4.0) mm ² |
| | | 2 x (1.0 ... 4.0) mm ² |
| Finely stranded with end sleeve |  | 1 x (0.75 ... 2.5) mm ² |
| | | 2 x (0.75 ... 2.5) mm ² |
| AWG | | 1 x (18 ... 14) |
| | | 2 x (18 ... 14) |

Table 8-11 3RT148 contactors auxiliary conductors. M4 screw-and-washer assemblies


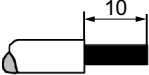
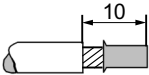
| | | 3RT148 contactors. |
|---------------------------------|---|-----------------------------------|
| Tool |  | Size PH 1 Ø 5 to 6 mm |
| Tightening torque | | 1.25 ... 1.75 Nm |
| Solid and stranded |  | 1 x (1.0 ... 2.5) mm ² |
| | | 2 x (1.0 ... 2.5) mm ² |
| Finely stranded with end sleeve |  | 1 x (1.0 ... 2.5) mm ² |
| | | 2 x (1.0 ... 2.5) mm ² |
| AWG | | 1 x (16 ... 14) |
| | | 2 x (16 ... 14) |

Table 8-12 Capacitor contactors S00 and S0 (3RT261.-1 and 3RT262.-1)


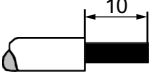
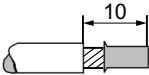

| | | Contactors, size S00 | | Contactors, size S0 | |
|---------------------------------|---|-------------------------------------|-------------------------------------|----------------------------------|----------------------------------|
| | | A1/A2, NO/NC | L1, L2, L3 3RT261.-1 | L1, L2, L3 3RT262.-1 | 3RT262.-1 + 3RV2925-5AB |
| Tool |  | Pozidriv size PZ 2, Ø 5 ... 6 mm | Pozidriv size PZ 2, Ø 5 ... 6 mm | Pozidriv size PZ 2, Ø 5 ... 6 mm | Pozidriv size PZ 2, Ø 5 ... 6 mm |
| Tightening torque | | 0.8 ... 1.2 Nm (7 to 10.3 lb.in) | 0.8 ... 1.2 Nm (7 to 10.3 lb.in) | 2 ... 2.5 Nm (18 to 22 lb.in) | 3 ... 4 Nm (27 to 35.2 lb.in) |
| Solid and stranded |  | 2 x (0.5 ... 1.5) mm ² | 2 x (0.5 ... 1.5) mm ² | 2 x (1 ... 2.5) mm ² | 1 x (2.5 ... 25) mm ² |
| | | 2 x (0.75 ... 2.5) mm ² | 2 x (0.75 ... 2.5) mm ² | 2 x (2.5 ... 10) mm ² | |
| | | 2 x 4 mm ² | 2 x 4 mm ² | | |
| Finely stranded with end sleeve |  | 2 x (0.5 ... 1.5) mm ² | 2 x (0.5 ... 1.5) mm ² | 2 x (1 ... 2.5) mm ² | 1 x (2.5 ... 16) mm ² |
| | | 2 x (0.75 ... 2.5) mm ² | 2 x (0.75 ... 2.5) mm ² | 2 x (2.5 ... 6) mm ² | |
| | | | | 1 x 10 mm ² | |
| AWG | | 2 x (20 ... 16) | 2 x (20 ... 16) | 2 x (14 to 8) | 1 x (10 to 4) |
| | | 2 x (18 ... 14) | 2 x (18 ... 14) | | |
| | | 2 x 12 | 2 x 12 | | |

Table 8-13 Capacitor contactors main conductors of size S2 (3RT263.-1)

| | | L1, L2, L3 3RT263.-1 |
|-------------------|---|------------------------------------|
| Tool |  | Pozidriv size PZ 2, Ø 5 ... 6 mm |
| Tightening torque | | 3.0 ... 4.5 Nm (27 to 40 lb.in) |

Connection

8.2 Conductor cross-sections

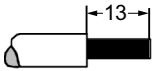
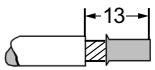
| | | L1, L2, L3 3RT263.-1 |
|---------------------------------|---|---------------------------------|
| Solid and stranded |  | 2 x (1 to 35) mm ² |
| | | 1 x (1 to 50) mm ² |
| Finely stranded with end sleeve |  | 2 x (1 to 25) mm ² |
| | | 1 x (1 to 35) mm ² |
| AWG | | 2 x (18 to 2) |
| | | 1 x (18 to 0) |

Table 8-14 Capacitor contactors main conductors of size S3 (3RT264.-1)

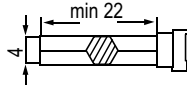
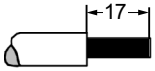
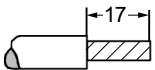
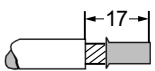
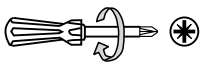
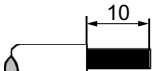
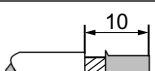
| | | L1, L2, L3 3RT264.-1 |
|---------------------------------|---|------------------------------------|
| Tool |  | 4 mm Allen key |
| Tightening torque | | 4.5 ... 6.0 Nm (40 to 53 lb.in) |
| Solid |  | 2 x (10 ... 16) mm ² |
| | | 1 x (10 ... 16) mm ² |
| Stranded |  | 2 x (10 ... 70) mm ² |
| | | 1 x (10 ... 70) mm ² |
| Finely stranded with end sleeve |  | 2 x (10 ... 50) mm ² |
| | | 1 x (10 ... 50) mm ² |
| AWG | | 2 x (8 to 3/0) |
| | | 1 x (6 to 3/0) |

Table 8-15 Capacitor contactors auxiliary conductors of size S2 (3RT263.-1) and S3 (3RT264.-1)

| | | A1/A2, NO/NC 3RT263.-1 / 3RT264.-1 3RH29.1-1 |
|---------------------------------|---|---|
| Tool |  | Pozidriv size PZ 2, Ø 5 ... 6 mm |
| Tightening torque | | M3: 0.8 ... 1.2 Nm (7 to 10.3 lb.in) |
| Solid and stranded |  | 2 x (0.5 ... 1.5) |
| | | 2 x (0.75 ... 2.5) |
| | | 2 x 4 |
| Finely stranded with end sleeve |  | 2 x (0.5 ... 1.5) |
| | | 2 x (0.75 ... 2.5) |

| | | |
|-----|--|---|
| | | A1/A2, NO/NC 3RT263.-1 / 3RT264.-1 3RH29.1-1 |
| AWG | | 2 x (20 to 16) |
| | | 2 x (18 to 14) |
| | | 2 x 12 |

Table 8-16 Capacitor contactors S2 (3RT263.-1 + 3RV2935-5A)

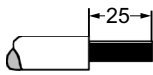
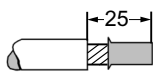
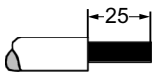
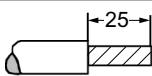
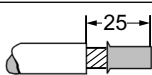
| | | |
|---------------------------------|---|---|
| | | 3RT263.-1 + 3RV2935-5A |
| Tightening torque | | 4 ... 6 Nm (35 to 53 lb.in) |
| Solid and stranded |  | 2 x (2.5 to 50) mm ² |
| | | 1 x (2.5 to 70) mm ² |
| Finely stranded with end sleeve |  | 2 x (2.5 to 35) mm ² |
| | | 1 x (2.5 to 50) mm ² |
| AWG | | 2 x (10 to 1/0) |
| | | 1 x (10 to 2/0) |

Table 8-17 Capacitor contactors S3 (3RT264.-1 + 3RA2943-3L)

| | | |
|---------------------------------|---|---|
| | | 3RT264.-1 + 3RA2943-3L |
| Tightening torque | | 8 ... 10 Nm (70.8 to 88.5 lb.in) |
| Solid and stranded |  | 1 x (6 ... 16) mm ² |
| Stranded |  | 1 x (6 ... 95) mm ² |
| Finely stranded with end sleeve |  | 1 x (6 ... 70) mm ² |
| AWG | | 1 x (8 to 4/0) |

8.2 Conductor cross-sections

Current-dependent minimum conductor cross-sections

Table 8-18 Current-dependent minimum conductor cross-sections - capacitor contactors S2 (3RT2637)

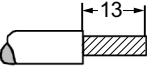
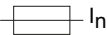
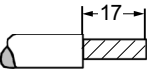
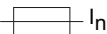
| | L1, L2, L3 3RT2637 | |
|---|------------------------|------------------------|
| I_{rms} | ≤ 133 A | > 133 A |
|  | 1 x 50 mm ² | 2 x 35 mm ² |
| AWG | 1 x 0 | 2 x 2 |
|  I_n | Max. 200 A | Max. 160 A |

Table 8-19 Current-dependent minimum conductor cross-sections - capacitor contactors S3 (3RT2646)



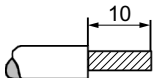
| | L1, L2, L3 3RT2646 | |
|---|------------------------|------------------------|
| I_{rms} | ≤ 160 A | > 160 A |
|  | 1 x 70 mm ² | 2 x 50 mm ² |
| AWG | 1 x 3/0 | 2 x 2/0 |
|  I_n | Max. 250 A | Max. 200 A |

8.2.2 Conductor cross-sections for spring-loaded connection systems

Conductor cross-sections for spring-loaded connection systems

The tables below define the permissible conductor cross-sections for main terminals and auxiliary conductor connections in sizes S00 to S3 for spring-type terminals. For sizes S2 and S3, the spring-type terminals are used only in the control circuit. For sizes S6, S10 and S12, the spring-type terminals are only used for the auxiliary conductors of the laterally mountable auxiliary switches.

Table 8-20 Main conductors of size S00 (3RT2)

| | | Contactors |
|------------------------------------|---|----------------------------------|
| Tool |  | Ø 3.0 x 0.5 (3RA2908-1A) |
| Solid and stranded |  | 2 x (0.5 to 4.0) mm ² |
| Finely stranded without end sleeve |  | 2 x (0.5 to 2.5) mm ² |

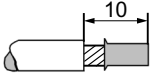
| | | |
|---------------------------------|---|----------------------------------|
| | | Contactors |
| Finely stranded with end sleeve |  | 2 x (0.5 to 2.5) mm ² |
| AWG | | 2 x (20 to 12) |

Table 8-21 Main conductors of size S0 (3RT2)

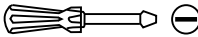

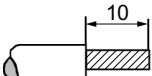
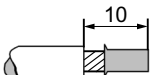
| | | |
|------------------------------------|---|----------------------------------|
| | | Contactors |
| Tool |  | Ø 3.0 x 0.5 (3RA2908-1A) |
| Solid and stranded |  | 2 x (1.0 to 10) mm ² |
| Finely stranded without end sleeve |  | 2 x (1.0 to 6.0) mm ² |
| Finely stranded with end sleeve |  | 2 x (1.0 to 6.0) mm ² |
| AWG | | 2 x (18 to 8) |

Table 8-22 Auxiliary conductors of sizes S00 / S0 / S2 / S3 (3RT2)

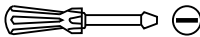
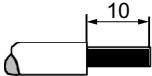
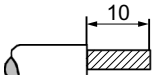
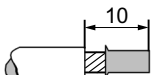
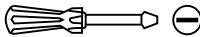

| | | | |
|------------------------------------|---|----------------------------------|---|
| | | Contactors, size S00 | Contactors, sizes S0 / S2 / S3, accessories for contactors |
| Tool |  | Ø 3.0 x 0.5 (3RA2908-1A) | |
| Solid and stranded |  | 2 x (0.5 to 4) mm ² | 2 x (0.5 to 2.5) mm ² |
| Finely stranded without end sleeve |  | 2 x (0.5 to 2.5) mm ² | 2 x (0.5 to 2.5) mm ² |
| Finely stranded with end sleeve |  | 2 x (0.5 to 2.5) mm ² | 2 x (0.5 ... 1.5) mm ² |
| AWG | | 2 x (20 to 12) | 2 x (20 to 14) |

Table 8-23 Auxiliary conductors for front and laterally mounted auxiliary switches (3RT2)

| | | |
|--------------------|---|----------------------------------|
| | | 3RH29 auxiliary switch |
| Tool |  | Ø 3.0 x 0.5 (3RA2908-1A) |
| Solid and stranded |  | 2 x (0.5 to 2.5) mm ² |

Connection

8.2 Conductor cross-sections

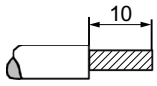
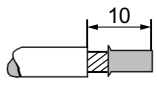
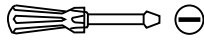
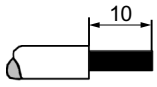
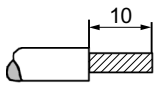
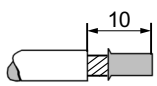
| | | 3RH29 auxiliary switch |
|------------------------------------|---|-----------------------------------|
| Finely stranded without end sleeve |  | 2 x (0.5 to 2.5) mm ² |
| Finely stranded with end sleeve |  | 2 x (0.5 ... 1.5) mm ² |
| AWG | | 2 x (20 to 14) |

Table 8-24 Auxiliary conductors for laterally mounted auxiliary switches S6 / S10 / S12 (3RT1)

| | | Contactors sizes S6 / S10 / S12 |
|------------------------------------|--|------------------------------------|
| Tool |  | Ø 3.0 x 0.5 (3RA2908-1A) |
| Solid and stranded |  | 2 x (0.25 ... 2.5) mm ² |
| Finely stranded without end sleeve |  | --- |
| Finely stranded with end sleeve |  | 2 x (0.25 to 1.5) mm ² |
| AWG | | 2 x (24 ... 14) |

8.2.3 Conductor cross-sections for cable lug connection and busbar connection

Conductor cross-sections for ring cable lug connection system

The tables below define the permissible conductor cross-sections for main terminals and auxiliary conductor connections in sizes S00 and S0 for ring cable lug connection systems.

Table 8-25 Main conductors and auxiliary conductors of size S00 with M3 combination screws

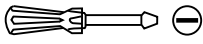
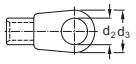
| | | SIRIUS devices |
|------------------------------|---|--|
| Tool |  | Pozidriv size 2, Ø 5 to 6 mm |
| Tightening torque | | 0.8 to 1.2 Nm |
| Ring cable lug ¹⁾ |  | d ₂ = min. 3.2 mm d ₃ = max. 7.5 mm |

Table 8-26 Main conductors and auxiliary conductors of size S0 with M4 combination screws

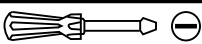
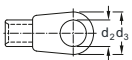
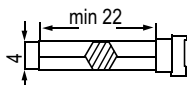
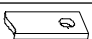
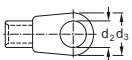
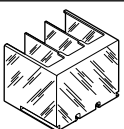
| | | SIRIUS devices |
|------------------------------|---|---|
| Tool |  | Pozidriv size 2, Ø 5 to 6 mm |
| Tightening torque | | 2.0 to 2.5 Nm |
| Ring cable lug ¹⁾ |  | d ₂ = min. 4.3 mm d ₃ = max. 12.2 mm |

Table 8-27 Main conductors of size S3 with M6 screws

| | | SIRIUS devices |
|------------------------------|--|---|
| Tool |  | 4 mm Allen key |
| Tightening torque | | 4.5 ... 6.0 Nm |
| Busbars (M6 x 25) |  | 2 x 12 x 4 |
| Ring cable lug ¹⁾ |  | d ₂ = min. 6.3 mm d ₃ = max. 19.0 mm |
| Ring cable lug cover |  | 3RT1946-4EA1 |

¹⁾ The following ring cable lugs are approved for achieving the required clearances and creepage distances:

- For applications according to IEC 60947-1:
 - DIN 46237 (with insulating sleeve)
 - JIS CS805 type RAV (with insulating sleeve)
 - JIS CS805 type RAP (with insulating sleeve)
- For applications according to UL 508:
 - DIN 46234 (without insulating sleeve)
 - DIN 46225 (without insulating sleeve)
 - JIS CS805 (without insulating sleeve)

8.2 Conductor cross-sections

A shrink-on sleeve must be used to insulate ring cable lugs without an insulating sleeve. The following conditions must be met:

- Operating temperature: -55 °C to +155 °C
- UL 224 approved
- Flame-protected



| |
|---|
| DANGER |
| <p>Hazardous voltage. Can cause death or serious injury. Only use approved ring cable lugs to meet the required clearances and creepage distances.</p> |

Table 8-28 Main conductors of size S6 with M8 screws (3RT10 / 3RT14)

| 3RT10 / 3RT14 contactor with busbar connection | | |
|---|--|--|
| Connecting bars (M8 x 25) | | 2 x 15 x 4 mm M8 x 25 |
| Tightening torque | | 10.0 ... 14.0 Nm |
| Finely stranded with cable lug | | 2 x (25 ... 120) mm ² ¹⁾ 2 x (AWG 4 to 250 kcmil) |
| Stranded with cable lug | | 2 x (16 ... 95) mm ² ¹⁾ 2 x AWG 6 to 3/0 |
| AWG | | 4 ... 250 kcmil |

¹⁾ When connecting cable lugs according to DIN 46235 with conductor cross-sections of 95 mm² and more, the 3RT1956-4EA1 terminal cover must be used to ensure phase clearance.

Table 8-29 Main conductors of size S10 / S12 with M10 screws (3RT10 / 3RT12 / 3RT14)

| 3RT10 / 3RT12 / 3RT14 contactors with busbar connection | | |
|--|--|--|
| Connecting bars (M10 x 30) | | 2 x 25 x (..) mm M10 x 30 |
| Tightening torque | | 14.0 ... 24.0 Nm |
| Finely stranded with cable lug | | 2 x (70 ... 240) mm ² ¹⁾ 2 x (AWG 2/0 to 500 kcmil) |
| Stranded with cable lug | | 22 x (50 ... 240) mm ² ¹⁾ 2 x AWG 1/0 to 500 kcmil |

¹⁾ When connecting cable lugs in accordance with DIN 46234 for conductor cross-sections from 240 mm², as well as DIN 46235 for cable cross-sections from 185 mm², use the 3RT1966-4EA1 terminal cover to ensure phase spacing.

Table 8-30 Main conductors of size S6 with M6 screws (3RT135)

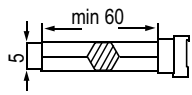
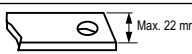

| 3RT135 contactor with busbar connection | | |
|--|---|----------------|
| Tool |  | 5 mm Allen key |
| Tightening torque | | 9.0 Nm |
| Connecting bars |  | M6 |
| Finely stranded with cable lug |  | |

Table 8-31 Main conductors of size S10 with M8 screws (3RT136)

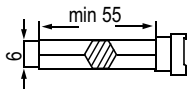
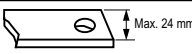

| 3RT136 contactor with busbar connection | | |
|--|---|----------------|
| Tool |  | 6 mm Allen key |
| Tightening torque | | 18.0 Nm |
| Connecting bars |  | M8 |
| Finely stranded with cable lug |  | |

Table 8-32 Main conductors of size S12 with M10 screws (3RT137)

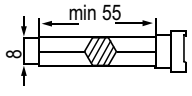
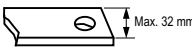

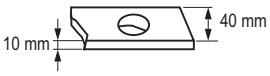
| 3RT137 contactor with busbar connection | | |
|--|---|----------------|
| Tool |  | 8 mm Allen key |
| Tightening torque | | 28.0 Nm |
| Connecting bars |  | M10 |
| Finely stranded with cable lug |  | |

Table 8-33 Main conductors of the 3RT1481 and 3RT1482 contactors with an M16 screw

| 3RT1481 and 3RT1482 contactor with busbar connection | | |
|---|---|------------------|
| Tightening torque | | 77.0 ... 97.0 Nm |
| Connecting bars |  | 1 x M16 |

Connection

8.2 Conductor cross-sections

Table 8-34 Main conductors of 3RT1483 contactors with 3 M12 screws

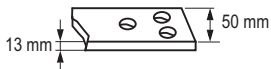
| 3RT1483 contactor with busbar connection | | |
|---|---|------------------|
| Tightening torque | | 32.0 ... 39.0 Nm |
| Connecting bars |  | 3 x M12 |

Table 8-35 Main conductors of 3RT1485 and 3RT1486 contactors with 4 M12 screws

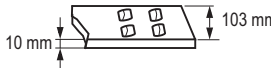
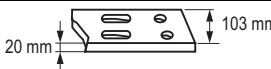
| 3RT1485 and 3RT1486 contactors with busbar connection | | |
|--|---|---------------------|
| Tightening torque | | 32.0 Nm ... 39.0 Nm |
| Connecting bars |  | 4 x M12 |

Table 8-36 Main conductors of 3RT1487 contactors with 4 M12 screws

| 3RT1487 contactor with busbar connection | | |
|---|--|---------------------|
| Tightening torque | | 32.0 Nm ... 39.0 Nm |
| Connecting bars |  | 4 x M12 |

Accessories

9.1 Overview of accessories for 3RT2 contactors

9.1.1 Overview of accessories for 3RT2 contactors

SIRIUS contactors with a width of 45 mm (size S00/S0), 55 mm (size S2), and 70 mm (size S3) come with a uniform, versatile range of auxiliary switches and accessories, which are quick to retrofit and replace. The accessories for contactor relays and power contactors are identical in design. The accessories can be attached on the front or the sides of devices.

The 3RH2 contactor relays can be expanded to give versions with a maximum of 8 poles by attaching 2-pole or 4-pole auxiliary switches.

Table 9-1 Overview - Accessories (for sizes S00 and S0) for 3RT2 power contactors and 3RH2 contactor relays

| Accessories | 3RH2 contactor relay (size S00) | 3RT2 power contactor (size S00) | 3RT2 power contactor (size S0) |
|--|---------------------------------|---------------------------------|--------------------------------|
| Auxiliary switch on the front/side | ✓/✓ | ✓/✓ | ✓/✓ |
| Surge suppressor | ✓ | ✓ | ✓ |
| EMC interference suppression module | ✓ | ✓ | --- |
| OFF-delay device | ✓ | ✓ | ✓ |
| Mechanical latch | --- | --- | ✓ |
| Additional load module | ✓ | ✓ | --- |
| Control kit for manual operation of contactor contacts | ✓ | ✓ | ✓ |
| Coupling link for PLC | --- | --- | ✓ |
| LED display indicator module | ✓ | ✓ | ✓ |
| Solder pin adapter | ✓ | ✓ | --- |
| Coil terminal module | --- | --- | ✓ |
| Cover for ring cable lug | ✓ | ✓ | ✓ |
| Sealable cover | ✓ | ✓ | ✓ |
| 3-phase infeed terminal | --- | ✓ | ✓ |
| Parallel switching connector | ✓ | ✓ | ✓ |
| Link module for two contactors in series | --- | ✓ | ✓ |
| Link module for motor starter protector | --- | ✓ | ✓ |
| Insulating stop | ✓ | ✓ | ✓ ¹⁾ |
| Terminal module for contactors with screw connections | --- | ✓ | ✓ |
| Pneumatic delay block | --- | --- | ✓ |

9.1 Overview of accessories for 3RT2 contactors

| Accessories | 3RH2 contactor relay (size S00) | 3RT2 power contactor (size S00) | 3RT2 power contactor (size S0) |
|--|---------------------------------|---------------------------------|--------------------------------|
| Function modules <ul style="list-style-type: none"> Electronic timing relay with semiconductor output for controlling contactors Solid-state time-delay auxiliary switches Function module for star-delta (wye-delta) start | --- | ✓ | ✓ |
| Function modules for connection to the controller (AS-Interface or IO-Link) for direct-on-line starting, reversing starting, star-delta (wye-delta) starting | --- | ✓ | ✓ |
| Assembly kit for reversing contactor assembly | --- | ✓ | ✓ |
| Assembly kit for contactor assembly for star-delta (wye-delta) start | --- | ✓ | ✓ |

¹⁾ The 3RT1916-4JA02 insulating stop can be used on the connection terminals for the auxiliary circuit of the 3RT2.2 contactors.

Table 9-2 Overview - Accessories (for sizes S2 and S3) for 3RT2 power contactors

| Accessories | 3RT2 power contactor (size S2) | 3RT2 power contactor (size S3) |
|--|--------------------------------|--------------------------------|
| Auxiliary switch on the front/side | ✓ / ✓ | ✓ / ✓ |
| Surge suppressors | ✓ | ✓ |
| OFF-delay devices | ✓ | ✓ |
| Control kit for manual operation of contactor contacts | ✓ | ✓ |
| Coupling link for PLC | ✓ | ✓ |
| LED display indicator module | ✓ | ✓ |
| Coil terminal module | ✓ | ✓ |
| Cover for ring cable lug | --- | ✓ |
| Sealable cover | ✓ | ✓ |
| 3-phase infeed terminal | ✓ | --- |
| 1-phase infeed terminal | --- | ✓ |
| Parallel switching connector | ✓ | ✓ |
| Link module for two contactors in series | ✓ | --- |
| Link module for circuit breaker/motor starter protector | ✓ | ✓ |
| Insulating stop | ✓ ¹⁾ | ✓ ¹⁾ |
| Function modules <ul style="list-style-type: none"> Electronic timing relay with semiconductor output for controlling contactors Solid-state time-delay auxiliary switches Function module for star-delta (wye-delta) start | ✓ | ✓ |
| Function modules for connection to the controller (AS-Interface or IO-Link) for direct-on-line starting, reversing starting, star-delta (wye-delta) starting | ✓ | ✓ |

9.1 Overview of accessories for 3RT2 contactors

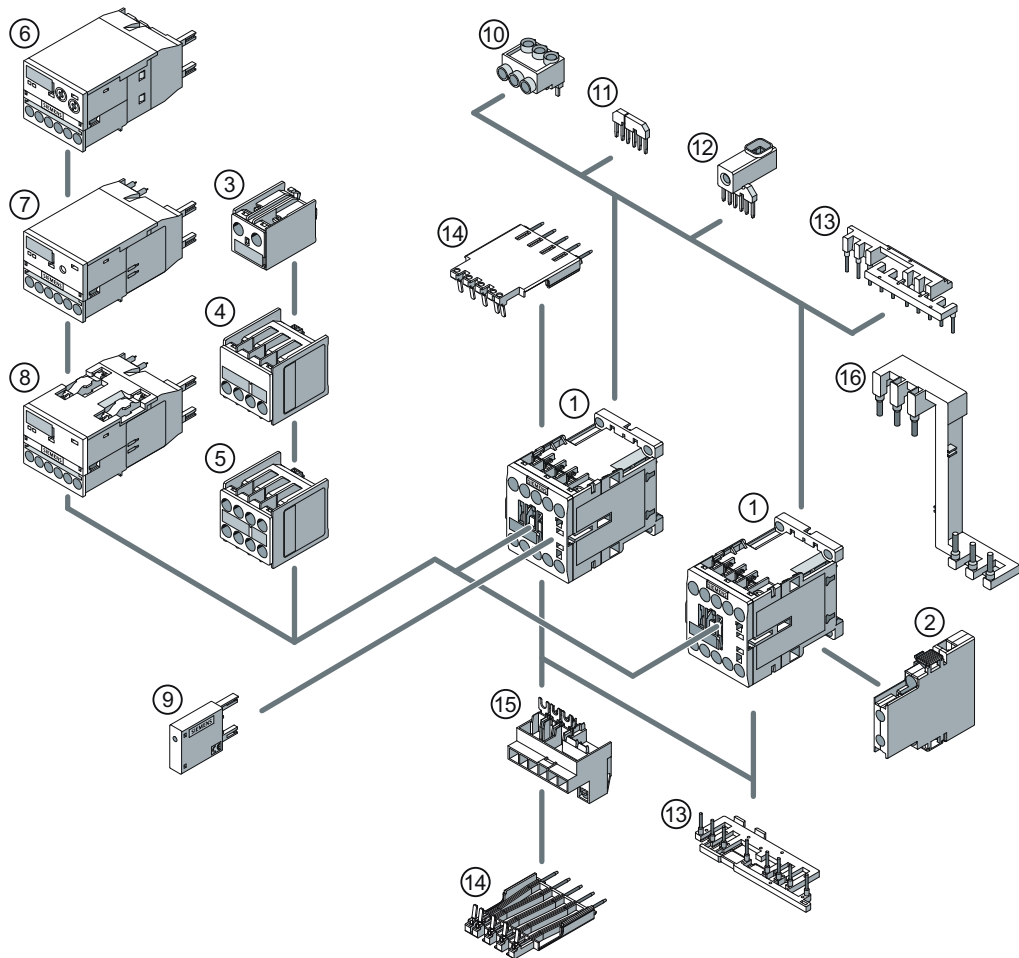
| Accessories | 3RT2 power contactor (size S2) | 3RT2 power contactor (size S3) |
|--|-----------------------------------|-----------------------------------|
| Assembly kit for reversing contactor assembly | ✓ | ✓ |
| Assembly kit for contactor assembly for star-delta (wye-delta) start | ✓ | ✓ |

- ¹⁾ The 3RT1916-4JA02 insulating stop can be used on the connection terminals for the auxiliary circuit of the 3RT2.3 and 3RT2.4 contactors.

Table 9-3 Overview of snap-on modules for front mounting on 3RT2 contactors

| Auxiliary switches | | | Snap-on modules for contactor control | | | | | |
|--------------------|-------------------------------|------------|---------------------------------------|--|-----------|--|-----------------|------------|
| Normal | Time-delayed | | Conventional control circuit wiring | | | Communication connection via ASi / IO-Link | | |
| Electrical | Electrical | Pneumatic | Coupling link for direct starting | Snap-on timing relay Direct starting | Wye-delta | Direct-on-line start | Reversing start | Wye-delta |
| 3RH29.1 | 3RA2813 3RA2814 3RA2815 | 3RT2926-2P | 3RH2914-GP11 | 3RA2811 3RA2812 3RA2831 3RA2832 | 3RA2816 | 3RA271.-.A | 3RA271.-.B | 3RA271.-.C |

Size-specific accessories for 3RT2 contactors (size S00)

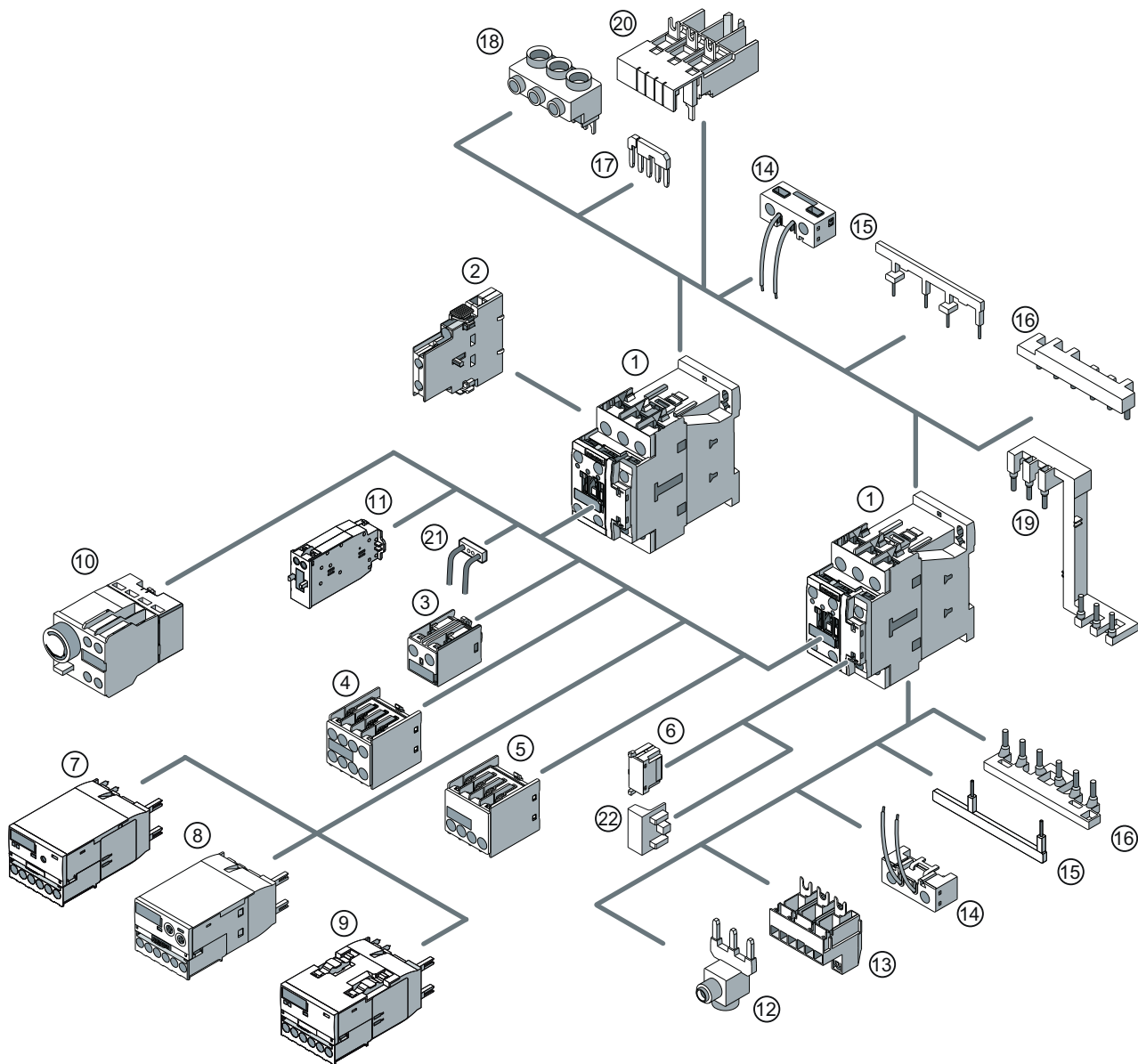


- 1 Contactor size S00
- 2 laterally mountable auxiliary switch (right or left), 2-pole
- 3 auxiliary switch for snapping onto the front, 1-pole (cable entry from above or below)
- 4 auxiliary switch for snapping onto the front, 2-pole (cable entry from above or below)
- 5 auxiliary switch for snapping onto the front, 4-pole
- 6 3RA28 function modules
- 7 Function module for AS-Interface, direct-on-line start
- 8 Function module for IO-Link, direct-on-line start
- 9 Surge suppressor
- 10 3-phase infeed terminal
- 11 Star jumper, 3-pole, without connection terminal
- 12 Parallel switching connector, 3-pole or 4-pole, with connection terminal
- 13 Wiring modules on the top and bottom, for connecting the main and control current paths

- 14 Solder pin adapter
- 15 Terminal module (adapter) for contactors with screw connections
- 16 Safety main circuit connectors for 2 contactors

Figure 9-1 Size-specific accessories for 3RT2 contactors (size S00)

Size-specific accessories for contactors (size S0)

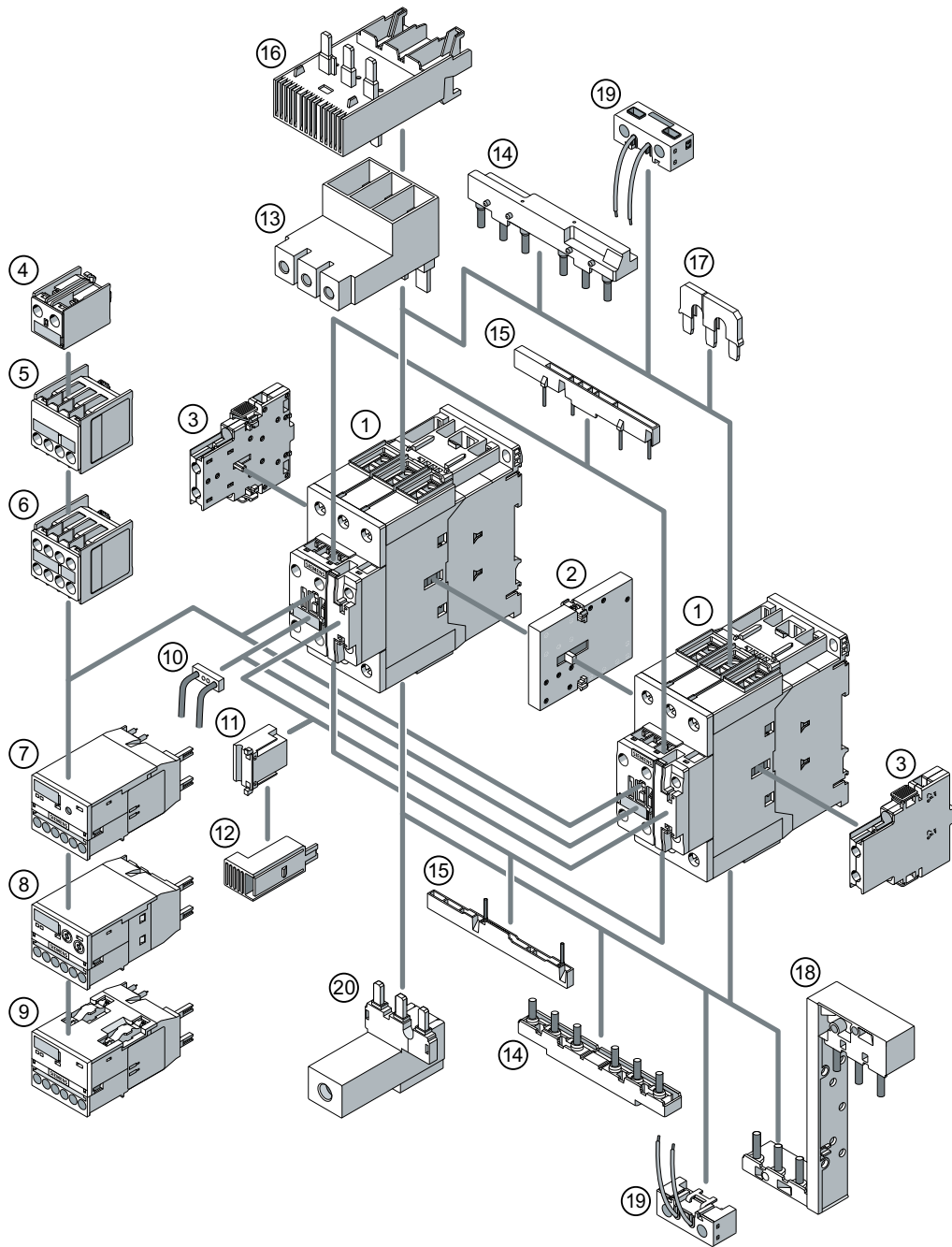


- 1 Contactor size S0
- 2 laterally mountable auxiliary switch (right or left), 2-pole
- 3 auxiliary switch for snapping onto the front, 1-pole (cable entry from above or below)
- 4 auxiliary switch for snapping onto the front, 4-pole
- 5 auxiliary switch for snapping onto the front, 2-pole (cable entry from above or below)
- 6 Surge suppressor
- 7 Function module for AS-Interface, direct-on-line start
- 8 3RA28 function modules
- 9 Function module for IO-Link, direct-on-line start
- 10 Pneumatic delay block

- 11 Mechanical latch
- 12 Parallel switching connector
- 13 Terminal module (adapter) for contactors with screw connections
- 14 Coil terminal module, top and bottom
- 15 Wiring modules, top and bottom, for connecting the control current paths
- 16 Wiring modules, top and bottom, for connecting the main current paths
- 17 Star jumper, 3-pole, without connection terminal
- 18 3-phase infeed terminal
- 19 Link module for two contactors in series (safety main circuit connectors for two contactors)
- 20 Link module for motor starter protector
- 21 LED display indicator module
- 22 Control kit for manual operation of contactor contacts

Figure 9-2 Size-specific accessories for 3RT2 contactors (size S0)

Contactor accessories (size S2)



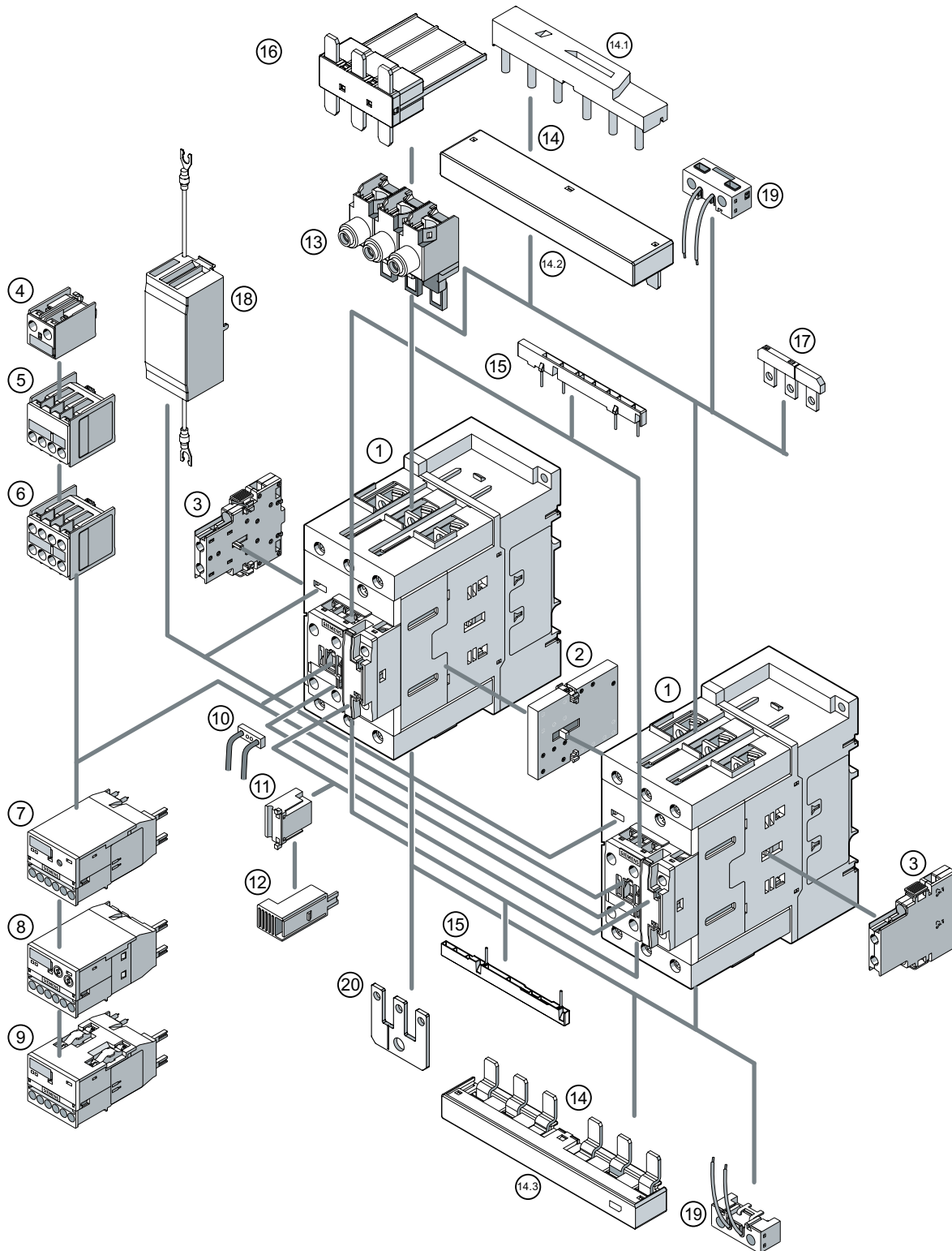
- 1 Contactor size S2
- 2 Mechanical interlock
- 3 laterally mountable auxiliary switch (right or left), 2-pole
- 4 auxiliary switch for snapping onto the front, 1-pole (cable entry from above or below)
- 5 auxiliary switch for snapping onto the front, 2-pole (cable entry from above or below)
- 6 auxiliary switch for snapping onto the front, 4-pole
- 7 Function module for AS-Interface, direct-on-line start

9.1 Overview of accessories for 3RT2 contactors

- 8 3RA28 function modules
- 9 Function module for IO-Link, direct-on-line start
- 10 LED display indicator module
- 11 Surge suppressor
- 12 Control kit for manual operation of contactor contacts
- 13 3-phase infeed terminal (type E)
- 14 Wiring modules, top and bottom, for connecting the main current paths
- 15 Wiring modules, top and bottom, for connecting the control current paths
- 16 Link module for motor starter protector
- 17 Star jumper, 3-pole, without connection terminal
- 18 Link module for two contactors in series (safety main circuit connectors for two contactors)
- 19 Coil terminal module, top and bottom
- 20 Parallel switching connector

Figure 9-3 Accessories for 3RT2 contactors (size S2)

Accessories for contactors (size S3)



1 Contactor size S3

9.2 Overview of accessories for 3RT10, 3RT12 and 3RT14 contactors

- 2 Mechanical interlock
- 3 laterally mountable auxiliary switch (right or left), 2-pole
- 4 auxiliary switch for snapping onto the front, 1-pole (cable entry from above or below)
- 5 auxiliary switch for snapping onto the front, 2-pole (cable entry from above or below)
- 6 auxiliary switch for snapping onto the front, 4-pole
- 7 Function module for AS-Interface, direct-on-line start
- 8 3RA28 function modules
- 9 Function module for IO-Link, direct-on-line start
- 10 LED display indicator module
- 11 Surge suppressor without / with LED (varistor)
- 12 Control kit for manual operation of contactor contacts
- 13 Three 1-phase infeed terminals
- 14 Wiring modules, top and bottom, for connecting the main current paths
- 14.1 Wiring modules on the top for connecting the main current paths (contactor assembly for star-delta (wye-delta) start)
- 14.2 Wiring modules on the top for connecting the main current paths (reversing contactor assembly)
- 14.3 Wiring modules on the bottom for connecting the main current paths (reversing contactor assembly and contactor assembly for star-delta (wye-delta) start)
- 15 Wiring modules, top and bottom, for connecting the control current paths (reversing contactor assembly and contactor assembly for star-delta (wye-delta) start)
- 16 Link module for motor starter protector
- 17 Star jumper, 3-pole, without connection terminal
- 18 Surge suppressor without LED (RC element)
- 19 Coil terminal module, top and bottom
- 20 Parallel switching connector

Figure 9-4 Accessories for 3RT2 contactors (size S3)

9.2 Overview of accessories for 3RT10, 3RT12 and 3RT14 contactors

9.2.1 Overview of accessories for 3RT10, 3RT12 and 3RT14 contactors

SIRIUS contactors sizes S6 to S12 come with a comprehensive range of auxiliary switches and accessories, which are quick to retrofit and replace.

Table 9-4 Overview - Accessories for 3RT1 power contactors

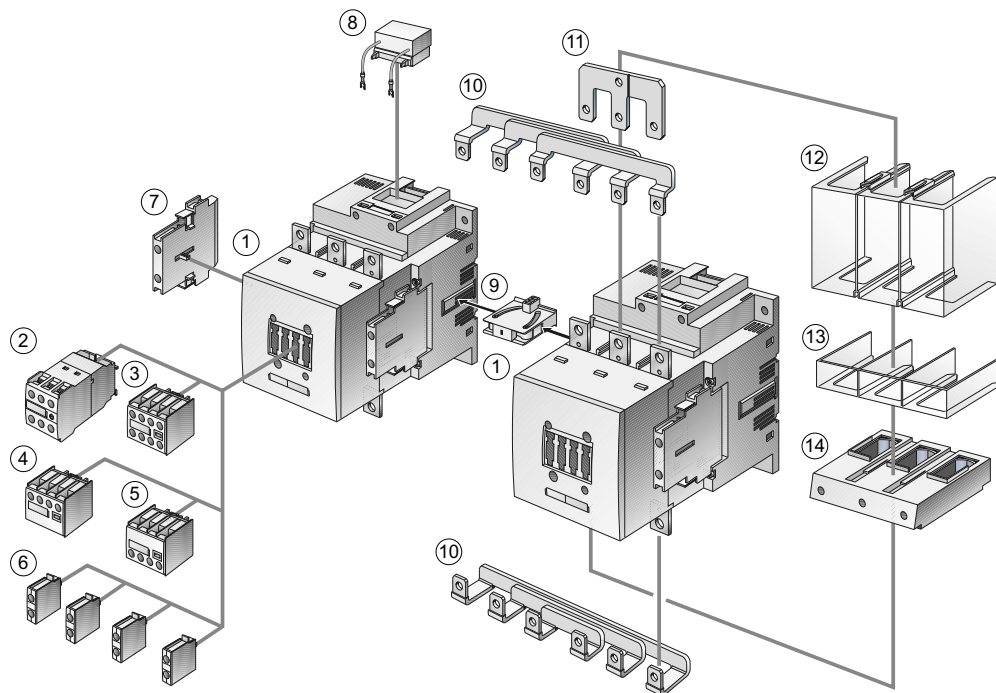
| Accessories | 3RT1 contactors | 3RT12 vacuum contactors |
|------------------------------------|-----------------|-------------------------|
| Auxiliary switch on the front/side | ✓ / ✓ | --- / ✓ |
| Surge suppressor without LED | ✓ | ✓ |
| Mechanical interlock | ✓ | ✓ |
| LED display indicator module | ✓ | --- |
| Terminal covers | ✓ | ✓ |
| Sealable cover | ✓ | --- |

Accessories

9.2 Overview of accessories for 3RT10, 3RT12 and 3RT14 contactors

| Accessories | 3RT1 contactors | 3RT12 vacuum contactors |
|--|-----------------|-------------------------|
| 1-phase infeed terminal | ✓ | --- |
| Insulating stop | ✓ | --- |
| Wiring kit for reversing contactor assembly | ✓ | --- |
| Wiring kit for contactor assembly for star-delta (wye-delta) start | ✓ | --- |
| Box terminal block | ✓ | --- |

Size-specific accessories for 3RT1 contactors (sizes S6 to S12)



- ① 3RT10 and 3RT14 air-break contactor, sizes S6, S10 and S12
- ② Auxiliary switch, solid-state time-delayed (ON-delay or OFF-delay or star-delta (wye-delta) function)
- ③ 4-pole auxiliary switch (terminal designations according to DIN EN 50 012 or EN 50 005)
- ④ 2-pole auxiliary switch, cable entry from above
- ⑤ 2-pole auxiliary switch, cable entry from below
- ⑥ 1-pole auxiliary switch (max. 4 can be snapped on) (terminal designations according to DIN EN 50 012 or DIN EN 50 005)
- ⑦ 2-pole auxiliary switch, attachable on the right or left side (terminal designations according to DIN EN 50 012 or DIN EN 50 005)
- ⑧ Surge suppressor (RC element), can be attached at the top on the withdrawable coil
- ⑨ Mechanical interlock, laterally mountable
- ⑩ Wiring modules top and bottom (reversing duty)
- ⑪ Parallel connector (neutral bridge), 3-pole with through hole, different for sizes S6 and S10/S12
- ⑫ Connection cover for cable lug and bar connection, different for sizes S6 and S10/S12
- ⑬ Cover for box terminal, different for sizes S6 and S10/S12
- ⑭ Box terminal block, different for sizes S6 and S10/S12
- ② to ⑨ Same accessories for sizes S6 to S12
- ⑩ to ⑭ Different accessories depending on size

9.3 Overview of accessories for 3RT13 contactors

9.3.1 Overview of accessories for 3RT13 contactors

The following accessories are available for 3RT13 contactors in sizes S6 to S12.

Table 9-5 Overview of accessories for 3RT13 contactors

| Accessories | 3RT135 contactors | 3RT136 contactors | 3RT137 contactors |
|-----------------------------|-------------------|-------------------|-------------------|
| Auxiliary switches, lateral | ✓ | ✓ | ✓ |
| Terminal cover | ✓ | ✓ | ✓ |
| Bus connectors offset | --- | ✓ | ✓ |
| Mechanical interlock | ✓ | ✓ | ✓ |

9.4 Overview of accessories for 3RT148 contactors

9.4.1 Overview of accessories for 3RT148 contactors

The following accessories are available for 3RT148 contactors.

Table 9-6 Overview of accessories for 3RT148 contactors

| Accessories | 3RT1481 contactors 3RT1482 contactors 3RT1483 contactors | 3RT1485 contactors 3RT1486 contactors 3RT1487 contactors |
|-----------------------------|--|--|
| Auxiliary switches, lateral | ✓ | ✓ |
| Phase barrier | ✓ | ✓ |

9.5 Auxiliary switch

9.5.1 Auxiliary switch for 3RT2 power contactors and 3RH2 contactor relays

9.5.1.1 Description

Function

The 3RH21 contactor relays and 3RT2 power contactors in size S00 feature an integrated auxiliary contact. The 3RT2 power contactors in sizes S0 to S3 have an integrated NO contact and an NC contact. Attachable auxiliary switches can be used to add up to four further contacts to the auxiliary contacts already integrated in the basic devices.

Versions and designs

The auxiliary switches for expanding the auxiliary contacts are available with screw-type, spring-loaded, and ring cable lug connections, in the following designs:

- On the front (uniform for sizes S00 to S3)
- Lateral (size-specific)

To facilitate wiring in the load feeder, 1-pole and 2-pole auxiliary switches for mounting on the front are offered. Optionally, devices with connection from above or below are available. The 1-pole or 2-pole auxiliary switches mounted on the front with connection option from below or above have fixed location identifiers. These auxiliary switches are only supplied with screw connections. For spring-loaded connection, 4-pole auxiliary switches are offered that are only fitted with auxiliary contacts 1 and 2.

The 3RT2 power contactors and the 3RH21 contactor relays can be expanded by means of auxiliary switches mounted on the front or the side.

The table below depicts the auxiliary switches for mounting on the front, which can be used across the board for contactors of sizes S00 to S3.

Table 9-7 Auxiliary switches for mounting on the front

| Design of the auxiliary switch | Connection system | Article number |
|---|-------------------------------------|--------------------------------|
| 1/2/3/4-pole auxiliary switches; partial labeling | Screw-type/spring-loaded connection | 3RH2911-.HA.. 3RH2911-.FA.. |
| 4-pole auxiliary switches; full labeling | Screw-type/spring-loaded connection | 3RH2911-.XA..-0MA0 |
| 4-pole auxiliary switches for contactor relays; full labeling | Screw-type/spring-loaded connection | 3RH2911-.GA.. ¹⁾ |

9.5 Auxiliary switch

| Design of the auxiliary switch | Connection system | Article number |
|--|-------------------------------------|--|
| 1/2-pole auxiliary switches, cable entry from top or bottom, full labeling | Screw connection | 3RH2911-1AA.. 3RH2911-1BA.. 3RH2911-1LA.. 3RH2911-1MA.. |
| 1/2-pole solid-state compatible auxiliary switches, partial labeling | Screw-type/spring-loaded connection | 3RH2911-.NF.. |
| 2/4-pole auxiliary switches (with make-before-break); partial labeling | Screw-type/spring-loaded connection | 3RH2911-.FB.. 3RH2911-.FC.. |
| 3/4-pole auxiliary switches (partly solid-state compatible) | Screw-type/spring-loaded connection | 3RH2911-.NE.. |

¹⁾ Can only be used for 3RH2140 and 3RH2440 contactor relays

The table below depicts the size-specific auxiliary switches for lateral mounting.

Table 9-8 Laterally mountable auxiliary switches

| Design of the auxiliary switch | Connection system | Article number |
|---|-------------------------------------|----------------|
| 2-pole auxiliary switches; full labeling for motor contactors size S00 | Screw-type/spring-loaded connection | 3RH2911-.DA.. |
| 2-pole auxiliary switches; full labeling | Screw-type/spring-loaded connection | 3RH2921-.DA.. |
| 2-pole solid-state compatible auxiliary switches; full labeling for motor contactors size S00 | Spring-loaded connection | 3RH2911-2DE.. |
| 2-pole solid-state compatible auxiliary switches; full labeling | Spring-loaded connection | 3RH2921-2DE.. |

Solid-state compatible auxiliary switches

Solid-state compatible auxiliary switches feature two encapsulated contacts, which are particularly well suited to switching low voltages and currents (hard gold-plated contacts) and for operation in dusty atmospheres. The rated operational current is I_e /AC-14 and DC-13: 1 to 300 mA, voltage: 3 to 60 V.

The solid-state compatible auxiliary switches for mounting on the front are available with screw-type, spring-loaded, and ring cable lug connections. The laterally mountable solid-state compatible auxiliary switches are available with spring-loaded connections.

Auxiliary switches with overlapping contacting

Auxiliary switches with overlapping contacting are available with screw-type and spring-loaded connections. The table below shows the versions of the auxiliary switches available with overlapping contacting.

Table 9-9 Auxiliary switches with overlapping contacting

| Size S00 ... S3 | Auxiliary switch version | |
|-------------------------|--------------------------|---|
| 3RH2911-1FC22 (22U) | 22U | 2 NO contacts + 2 NC contacts |
| 3RH2911-1FB11 (11U) | 11U | 1 NO contact + 1 NC contact |
| 3RH2911-1FB22 (11, 11U) | 11, 11U | 1 NO contact + 1 NC contact + 1 leading NO contact + 1 lagging NC contact |

Travel diagrams

The travel diagrams below for auxiliary switches in sizes S00 and S0 apply to standard auxiliary switches and to leading/lagging contacts.

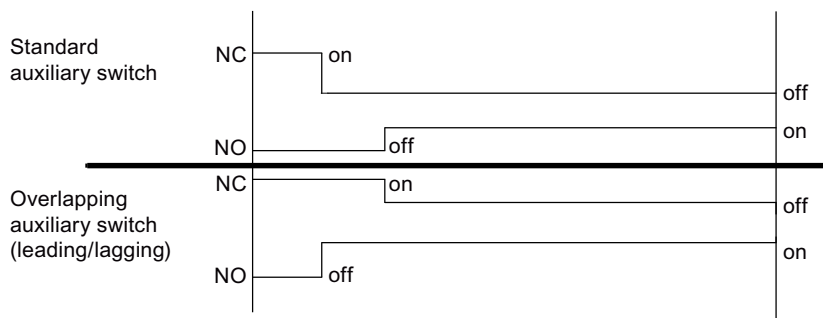


Figure 9-5 Travel diagrams for auxiliary switches (sizes S00 and S0)

9.5.1.2 Configuration

Maximum number of auxiliary switches

The maximum number of auxiliary switches which can be attached is determined by technical constraints and by the applicable standard.

Note

A maximum of four NC contacts is possible (from integrated and laterally mounted auxiliary switches combined).

For 3RT23 and 3RT25 contactors in size S0, auxiliary switches can only be fitted by means of a lateral auxiliary switch.


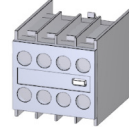
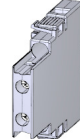
With the 4-pole version, you can only mount the auxiliary switch on one side.

With 3RT26 capacitor contactors in sizes S00 and S0, no additional lateral auxiliary switches may be mounted.

With 3RT26 capacitor contactors in sizes S2 and S3, you can mount one additional lateral auxiliary switch on the right-hand side.


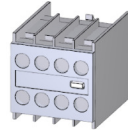
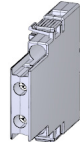
The tables below show the maximum number of auxiliary switches which can be mounted on 3RT2 power contactors/3RH2 contactor relays and the available combination options according to the applicable standard.

Table 9-10 Auxiliary switch combination options (3RT2 power contactor) - size S00

| | | | 3RT2 power contactor | | |
|------|--|-------------------|---|---|---|
| Size | | Possible versions | Front | | Lateral |
| | | | 1-pole | 4-pole | 2-pole |
| | | |  |  |  |
| S00 | 3RT2.1.-. | 1 | 1 | 0 | 1 |
| | | 2 | 0 | 1 | 0 |
| | | 3 | 0 | 0 | 2 ¹⁾ |
| | 3RT2.1.-.H., 3RT2.1.-.J., 3RT2.1.-.K., 3RT2.1.-.M., 3RT2.1.-.Q., 3RT2.1.-.V., 3RT2.1.-.W.. | | 0 | 0 | 0 |
| | 3RT2... + 3RA27... / 3RA28... | | 0 | 0 | 2 ¹⁾ |


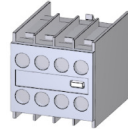
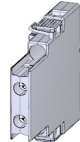
¹⁾ 1 left + 1 right

Table 9-11 Auxiliary switch combination options (3RT2 power contactor) - size S0

| | | | 3RT2 power contactor | | |
|------|----------------------------------|-------------------|---|---|---|
| Size | | Possible versions | Front | | Lateral |
| | | | 1-pole | 4-pole | 2-pole |
| | | |  |  |  |
| S0 | 3RT202. | 1 | 1 | 0 | 1 |
| | | 2 | 0 | 1 | 0 |
| | | 3 | 0 | 0 | 2 ¹⁾ |
| | 3RT232. 3RT252. | 1 | 1 | 0 | 1 |
| | | 2 | 0 | 1 | 0 |
| | | 3 | 0 | 0 | 1 |
| | 3RT202.-.K. | | 0 | 0 | 0 |
| | 3RT252. | | ∑ NC max. 2 | | |
| | 3RT202, 3RT232. | | ∑ NC max. 4 | | |
| | 3RT2... + 3RA27... / 3RA28... | | 0 | 0 | 2 ¹⁾ |

¹⁾ 1 left + 1 right

Table 9-12 Auxiliary switch combination options (3RT2 power contactor) - size S2

| | | | 3RT2 power contactor | | |
|------|--|-------------------|---|---|---|
| Size | | Possible versions | Front | | Lateral |
| | | | 1-pole | 4-pole | 2-pole |
| | | |  |  |  |


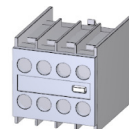
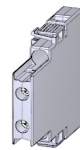
9.5 Auxiliary switch

| | | | 3RT2 power contactor | | |
|----------------------------------|--------------------|---|----------------------|-----------------|-----------------|
| S2 | 3RT203. | 1 | 1 | 0 | 1 |
| | | 2 | 0 | 1 | 0 |
| | | 3 | 0 | 0 | 2 ¹⁾ |
| | 3RT233. 3RT253. | 1 | 1 | 0 | 1 ²⁾ |
| | | 2 | 0 | 1 | 0 |
| | 3RT203.-.K. | 1 | 1 | 0 | 0 |
| | | 2 | 0 | 1 | 0 |
| | | 3 | 0 | 0 | 2 ¹⁾ |
| | 3RT253. | | ∑ NC max. 2 | | |
| | 3RT203, 3RT233. | | ∑ NC max. 4 | | |
| 3RT2... + 3RA27... / 3RA28... | | 0 | 0 | 2 ¹⁾ | |

¹⁾ 1 left + 1 right

²⁾ Mounting the lateral auxiliary switch is only permissible on the right.


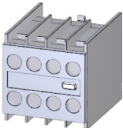
Table 9-13 Auxiliary switch combination options (3RT2 power contactor) - size S3

| | | | 3RT2 power contactor | | |
|------|----------------------------------|---|---|---|-----------------|
| Size | Possible versions | Front | | Lateral | |
| | | 1-pole | 4-pole | 2-pole | |
| | |  |  |  | |
| S3 | 3RT204. | 1 | 0 | 1 | 1 |
| | 3RT244. | 2 | 1 | 0 | 2 ¹⁾ |
| | 3RT234. 3RT254. | 1 | 1 | 0 | 1 ²⁾ |
| | | 2 | 0 | 1 | 1 ²⁾ |
| | 3RT204.-.K. | 1 | 1 | 0 | 0 |
| | | 2 | 0 | 1 | 0 |
| | | 3 | 0 | 0 | 2 ¹⁾ |
| | 3RT254. | | ∑ NC max. 2 | | |
| | 3RT204, 3RT234. | | ∑ NC max. 4 | | |
| | 3RT2... + 3RA27... / 3RA28... | | 0 | 0 | 2 ¹⁾ |

¹⁾ 1 left + 1 right

²⁾ Mounting the lateral auxiliary switch is only permissible on the right.

Table 9-14 Auxiliary switch combination options (3RH2 contactor relay)

| Size | | Number of integrated auxiliary switches | Possible versions | 3RH21 contactor relay ¹⁾ | | | |
|------|----------|--|-------------------|--|---|---|---|
| | | | | Front | | Lateral | |
| | | | | 1-pole | 4-pole | 2-pole | |
| | | | |  |  |  | |
| S00 | 3RH21..- | 2 NO contacts and 2 NC contacts or 3 NO contacts and 1 NC contact or 4 NO contacts | 1 | 1 | 0 | 1 | |
| | | | 2 | 0 | 1 | 0 | |
| | | | 3 | 0 | 0 | 1 ²⁾ | |
| | | 3RH21..-.H., 3RH21..-.J., 3RH21..-.K., 3RH21..-.M., 3RH21..-.Q., 3RH21..-.V., 3RH21..-.W.. | | | 0 | 0 | 0 |
| | 3RH24.. | 2 NO contacts and 2 NC contacts or 3 NO contacts and 1 NC contact or 4 NO contacts | 1 | 1 | 0 | 0 | |
| | | | 2 | 0 | 1 | 0 | |
| | | | 3 | 0 | 0 | 0 | |

¹⁾ Lateral auxiliary contacts without positively driven operation

²⁾ 1 left and only 3RH2921-.DE11

Number of contacts in series (for control circuit / auxiliary circuit)

A large number of electromechanical contacts in series represents an increased potential for functional faults. Since each contact point has a certain contact resistance, the resulting cumulative voltage drop of the series-switched contacts can be sufficient to have a critical effect on the functionality of certain loads or signal inputs.

In applications where it is necessary to scan a large number of contacts in series (e.g. in enabling circuits or EMERGENCY STOP circuits), suitable measures must be taken to limit the number of contacts switched directly in series. For example, the sequence of contacts can also be distributed across several inputs for controllers, or the contacts can be multiplied elsewhere.

It is not possible to provide a precise indication of the maximum permissible number of series-switched contacts, as this depends on many factors, such as the current, voltage, or other ambient conditions. Experience and feedback from the field have shown that, in general, switching less than 10 contacts in series is a practicable approach.

In addition, the reliability of an individual contact can be increased by switching a second contact in parallel.

Applicable standards

The auxiliary switches can be fitted according to the following standards:

- DIN EN 50005: Definition of terminal designations; however, the order of the terminal designations and the positions of the contacts can be determined by the user.
- DIN EN 50011 for contactor relays: Defined order for terminal designations and position of contacts.
- DIN EN 50012 for power contactors: Defined order for terminal designations. The positions of the contacts can be freely selected.

Note

Standard DIN EN 50012 is no longer valid, but is still used.

Definition: DIN EN 50005

The terminal designations for contactors are defined in DIN EN 50005, which contains general rules. The following basic rules are defined therein for the contacts of auxiliary circuits:

- The terminals of auxiliary contacts are identified by two-digit numbers.
- The units digit is a **function number** (NC contact: 1 and 2, NO contact: 3 and 4)
- The tens digit is a **sequence number** (all contacts with the same function must have different sequence numbers)

Switching devices with a fixed number of auxiliary contacts (NO or NC contacts) may have a two-digit **identification number** assigned to them. The first digit specifies the number of NO contacts, the second the number of NC contacts. No rules have been defined as regards the order of NO and NC contacts in the contactor/contact relay.

Note

The identification numbers on the auxiliary switches only apply to the mounted auxiliary switches.

Definition: DIN EN 50011

The main standard as regards the designations of contacts for auxiliary contactors is DIN EN 50 011, which defines the terminal designations, identification numbers, and codes of certain contactor relays, with a specified contact layout. The number, type, and position of the contacts must be defined by means of an identification number and a subsequent code. For 8-pole contactor relays, the code "E" means that four NO contacts must be arranged in the bottom (rear) contact area.

Definition: DIN EN 50012

DIN EN 50012 defines the terminal designations and identification numbers for the auxiliary contacts of certain contactors. The terminal designations of the auxiliary contacts match those of the corresponding contactor relays with code E (according to DIN EN 50011). For auxiliary contacts on contactors with the same identification number, the terminal designations must be defined as per the order specified in the standard.

Switching order of auxiliary contacts

When contactors are switched on, with standard auxiliary switches the NC contacts are opened first, then the NO contacts are closed.

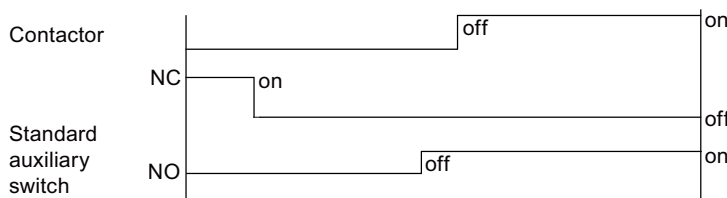


Figure 9-6 Switching auxiliary contacts

Auxiliary switches for contactor relays

The contactor relays with 4 contacts according to DIN EN 50011, with identification code 40E, can be expanded by adding auxiliary switches 80E to 44E, to give contactor relays with 8 contacts according to DIN EN 50011. The identification numbers 80E to 44E on the auxiliary switches apply to the complete contactors. These auxiliary switches (3RH29 11–1GA.) cannot be combined with contactor relays with identification code 31E or 22E; these are coded. All contactor relays with 4 contacts according to DIN EN 50011, Ident. Nos. 40E to 22E, can be expanded with auxiliary switches 40 to 02 to contactor relays with 6 or 8 contacts according to DIN EN 50005. The identification numbers on the auxiliary switches only apply to the mounted auxiliary switches. Fully mounted 8-pole 3RH22 contactor relays are also available; the 4-pole auxiliary switch on the second level cannot be removed. The terminal designations comply with DIN EN 50011.

Time-delayed auxiliary contacts

The 3RA28 function modules are available for applications which require time-delayed auxiliary contacts.

Reference

| More information ... | Can be found in the appendix ... |
|--|---|
| About the time-delayed switching of contactors | "References" under "Manuals - SIRIUS Modular System (Page 496)" in the manual "SIRIUS - SIRIUS 3RA28 function modules for mounting on 3RT2 contactors". |

9.5 Auxiliary switch

9.5.1.3 Selection guide for mountable auxiliary switches for power contactors and contactor relays

Terminal designations and identification numbers for auxiliary contacts

Terminal designations

The terminal designations are 2-digit, e.g. 13, 14, 21, 22:

- Tens digit: Sequence number
 - Related terminals have the same sequence number
- Units digit: Function number
 - 1 to 2 for NC contact
 - 3 to 4 for NO contacts

Identification numbers

The identification number indicates the number and type of the auxiliary contacts, e.g. 40, 31, 22, 13:

- First digit: Number of NO contacts
- Second digit: Number of NC contacts



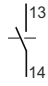

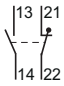

Examples:

- 31 = 3 NO contacts + 1 NC contact
- 40 = 4 NO contacts

Selection guide for mountable auxiliary switches for power contactors and contactor relays

The 3RH29 auxiliary switches for mounting on the front and laterally can be used for both the power contactors and the contactor relays.

At the intersection of the columns and rows you will find the identification number of the combination of a basic device (column) and auxiliary switch (line).

| Additional auxiliary switch | | 3-pole contactors | | | | |
|--|---|---|---|---|---|----|
| Article number | Auxiliary contact Version | | 3RT201 S00 | 3RT201 S00 | 3RT202 to 3RT204 S0 to S3 | |
| | NO contact | NC contact | 10 | 01 | 11 | |
| |  |  |  |  |  | |
| Auxiliary switches without NO contacts | | | | | | |
| 3RH2911-.HA01 | - | 1 |  | 11 | 02 | 12 |

| Additional auxiliary switch | | | 3-pole contactors | | | |
|--------------------------------------|---|---|-------------------|----|----|----|
| 3RH2911-.HA02 | - | 2 | | 12 | 03 | 13 |
| 3RH2911-.HA03 | - | 3 | | 13 | 04 | 14 |
| 3RH2911-.FA04 | - | 4 | | 14 | - | - |
| Auxiliary switches with 1 NO contact | | | | | | |
| 3RH2911-.HA10 | 1 | - | | 20 | 11 | 21 |
| 3RH2911-.HA11 | 1 | 1 | | 21 | 12 | 22 |

Example 1

Basic device: 3-pole 3RT2017 motor contactor with 1 NO contact

Desired: 1 NO contact and 4 NC contacts (Ident. No. 14)

Result: 3RH2911-.FA04 auxiliary switch

Example 2

Basic device: 3-pole 3RT2023 motor contactor with 1 NO contact and 1 NC contact

Desired: 1 NO contact and 4 NC contacts (Ident. No. 14)

Result: 3RH2911-.HA03 auxiliary switch

Note

The same auxiliary switches can be fitted to size S2/S3 contactors as to size S0.

Example 2 can also be used for sizes S2/S3.

9.5 Auxiliary switch

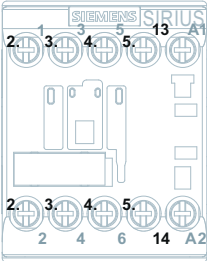
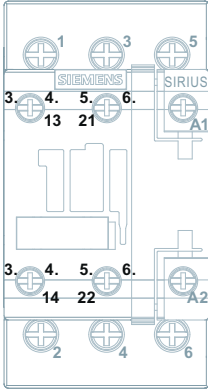
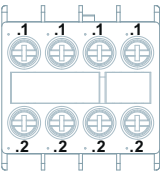
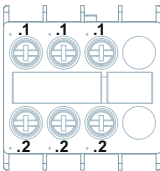
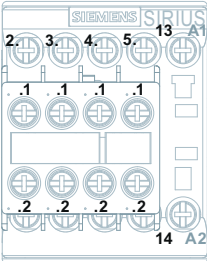
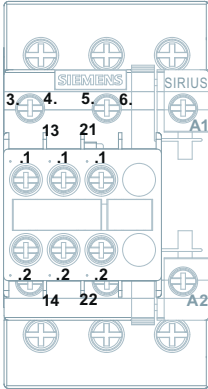




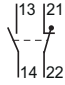
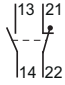
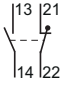

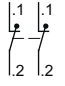
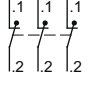
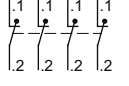
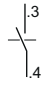
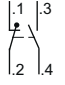
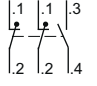
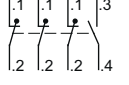
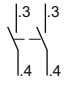
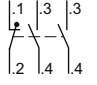
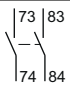
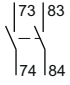
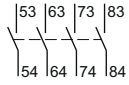
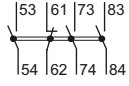
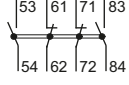
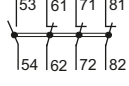
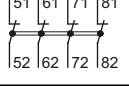
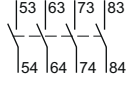
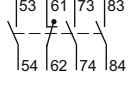
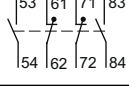
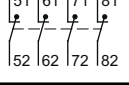
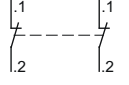
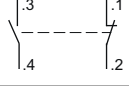
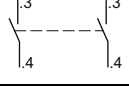
| | Example 1 | Example 2 |
|----------------------|---|--|
| Type | 3RT20 motor contactor, S00 with 1 NO contact (1NO) | 3RT20 motor contactor, S0 (S2) with 1 NO contact and 1 NC contact (1 NO + 1 NC) |
| |  |  |
| Sequence number | 2. 3. 4. 5. | 3. 4. 5. 6. |
| Type | Auxiliary switches with 4 NC contacts, 3RH2911-FA04 | Auxiliary switches with 3 NC contacts, 3RH2911-HA03 |
| |  |  |
| Function number | .1 .1 .1 .1 .2 .2 .2 .2 | .1 .1 .1 .2 .2 .2 |
| Assembly | 3RT20 motor contactor, S00 with auxiliary switch | 3RT20 motor contactor, S0 with auxiliary switch |
| |  |  |
| Terminal designation | 13 21 31 41 51 14 22 32 42 52 | 13 21 31 41 51 14 22 32 42 52 |
| Result | Ident. 14 | Ident. 14 |

Table 9-15 Auxiliary switches for mounting on the front for 3-pole and 4-pole contactors

| Additional auxiliary switch | | 3-pole contactors | | | 4-pole contactors | | | | |
|-----------------------------|---|---|---|---|-------------------------------------|----------------|---|---|----|
| Article No. | Auxiliary contacts Version | S00 | S0/S2/S3 | S00 | S0/S2/S3 | | | | |
| | NO NC | 3RT201 | 3RT201 | 3RT20. | 3RT231 | 3RT251 | 3RT23. | 3RT25. | |
| |   | 10 | 01 | 11 | -- | -- | 11 | 11 | |
| | |  |  |  | | |  |  | |
| | | 2. 3. 4. 5. | 5. 6. 7. 8. | 3. 4. 5. 6. | 1. 2. 3. 4. | 1. 2. 3. 4. | 3. 4. 5. 6. | 3. 4. 5. 6. | |
| | | According to EN 50012 ¹⁾ | | | According to EN 50012 ¹⁾ | | | | |
| Without NO contacts | | | | | | | | | |
| 3RH2911- HA01 | - 1 |  | 11 | 02 | 12 | 01 | 01 | 12 | 12 |
| 3RH2911- HA02 | - 2 |  | 12 | 03 | 13 | 02 | 02 | 13 | - |
| 3RH2911- HA03 | - 3 |  | 13 | 04 | 14 | 03 | - | - | - |
| 3RH2911- FA04 | - 4 |  | 14 | - | - | - | - | - | - |
| With 1 NO contact | | | | | | | | | |
| 3RH2911- HA10 | 1 - |  | 20 | 11 | 21 | 10 | 10 | 21 | 21 |
| 3RH2911- HA11 | 1 1 |  | 21 | 12 | 22 | 11 | 11 | 22 | 22 |
| 3RH2911- HA12 | 1 2 |  | 22 | 13 | 23 | 12 | 12 | 23 | - |
| 3RH2911- HA13 | 1 3 |  | 23 | 14 | 24 | 13 | - | 24 | 24 |
| With 2 NO contacts | | | | | | | | | |
| 3RH2911- HA20 | 2 - |  | 30 | 21 | 31 | 20 | 20 | 31 | 31 |
| 3RH2911- HA21 | 2 1 |  | 31 | 22 | 32 | 21 | 21 | 32 | 32 |

9.5 Auxiliary switch

| Additional auxiliary switch | | 3-pole contactors | | | 4-pole contactors | | | | |
|-------------------------------|-----|-------------------|----|----|-------------------|----|----|----|----|
| 3RH2911- HA22 | 2 2 | | 32 | 23 | 33 | 22 | 22 | 33 | - |
| 3RH2911- FA22 | 2 2 | | 32 | 23 | 33 | 22 | 22 | 33 | - |
| With 3 NO contacts | | | | | | | | | |
| 3RH2911- HA30 | 3 - | | 40 | 31 | 41 | 30 | 30 | 41 | 41 |
| 3RH2911- HA31 | 3 1 | | 41 | 32 | 42 | 31 | 31 | 42 | 42 |
| With 4 NO contacts | | | | | | | | | |
| 3RH2911- FA40 | 4 - | | 50 | 41 | 51 | 40 | 40 | 51 | 51 |
| With make-before-break | | | | | | | | | |
| 3RH2911- FB11 | 1 1 | | 21 | 12 | 22 | 11 | 11 | 22 | 22 |
| 3RH2911- FB22 | 2 2 | | 32 | 23 | 33 | 22 | 22 | 33 | - |
| 3RH2911- FC22 | 2 2 | | 32 | 23 | 33 | 22 | 22 | 33 | - |
| Fully labeled | | | | | | | | | |
| 3RH2911- 1AA10 | 1 - | | 20 | 11 | 21 | 10 | 10 | 21 | 21 |
| 3RH2911- 1BA10 | 1 - | | 20 | 11 | 21 | 10 | 10 | 21 | 21 |
| 3RH2911- 1AA01 | - 1 | | 11 | 02 | 12 | 01 | 01 | 12 | 12 |
| 3RH2911- 1BA01 | - 1 | | 11 | 02 | 12 | 01 | 01 | 12 | 12 |
| 3RH2911- 1LA11 | 1 1 | | 21 | 12 | 22 | 11 | 11 | 22 | 22 |
| 3RH2911- 1MA11 | 1 1 | | 21 | 12 | 22 | 11 | 11 | 22 | 22 |

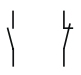

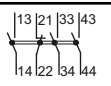
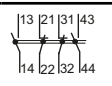

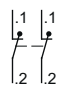
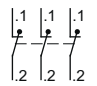
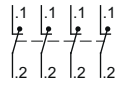
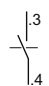
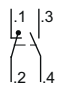
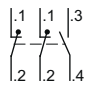
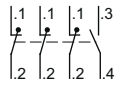
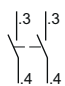
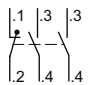
| Additional auxiliary switch | | | 3-pole contactors | | | 4-pole contactors | | | | |
|---|---|---|---|----|----|-------------------|----|----|----|----|
| 3RH2911- 1LA20 | 2 | - |  | 30 | 21 | 31 | 20 | 20 | 31 | 31 |
| 3RH2911- 1MA20 | 2 | - |  | 30 | 21 | 31 | 20 | 20 | 31 | 31 |
| Fully labeled (for contactor relays) | | | | | | | | | | |
| 3RH2911- GA40 | 4 | - |  | - | - | - | - | - | - | - |
| 3RH2911- GA31 | 3 | 1 |  | - | - | - | - | - | - | - |
| 3RH2911- GA22 | 2 | 2 |  | - | - | - | - | - | - | - |
| 3RH2911- GA13 | 1 | 3 |  | - | - | - | - | - | - | - |
| 3RH2911- GA04 | - | 4 |  | - | - | - | - | - | - | - |
| Fully labeled; special version | | | | | | | | | | |
| 3RH2911- XA40 -OMAO | 4 | - |  | 50 | 41 | 51 | 40 | 40 | 51 | 51 |
| 3RH2911- XA31 -OMAO | 3 | 1 |  | 41 | 32 | 42 | 31 | 31 | 42 | 42 |
| 3RH2911- XA22 -OMAO | 2 | 2 |  | 32 | 23 | 33 | 22 | 22 | 33 | - |
| 3RH2911- XA04 -OMAO | - | 4 |  | 14 | - | - | - | - | - | - |
| Solid-state compatible | | | | | | | | | | |
| 3RH2911- NF02 | - | 2 |  | 12 | 03 | 13 | 02 | 02 | 13 | - |
| 3RH2911- NF11 | 1 | 1 |  | 21 | 12 | 22 | 11 | 11 | 22 | 22 |
| 3RH2911- NF20 | 2 | - |  | 30 | 21 | 31 | 20 | 20 | 31 | 31 |

9.5 Auxiliary switch

| Additional auxiliary switch | | 3-pole contactors | | | 4-pole contactors | | | | | |
|--|---|-------------------|--|----|-------------------|----|----|----|----|----|
| Solid-state compatible and conventional | | | | | | | | | | |
| 3RH2911-2 NE21 | 2 | 1 | | 21 | 21 | - | 21 | 21 | - | - |
| 3RH2911-2 NE21 | 2 | 1 | | - | - | 32 | - | - | 32 | 32 |
| 3RH2911-1 NE22 | 2 | 2 | | 22 | 22 | - | 22 | 22 | - | - |
| 3RH2911-1 NE22 | 2 | 2 | | - | - | 33 | - | - | 33 | 33 |

¹) Assemblies in accordance with EN 50012, EN 50011 or IEC 60947-5-1 are in **bold** type. All assemblies comply with EN 50005.

Table 9-16 Auxiliary switches for mounting on the front for contactor relays

| Additional auxiliary switch | | Contactor relays | | |
|--|---|---|---|---|
| Article No. | Auxiliary contacts Version | S00 | | |
| | NO NC | 3RH21 | | |
| |  | 40E | 31E | 22E |
| | |  |  |  |
| | | 5. 6. 7. 8 | 5. 6. 7. 8 | 5. 6. 7. 8 |
| According to EN 50011 ¹⁾ | | | | |
| Without NO contacts | | | | |
| 3RH2911-. HA01 | - 1 |  | 41X | 32X 23X |
| 3RH2911-. HA02 | - 2 |  | 42E | 33X 24 |
| 3RH2911-. HA03 | - 3 |  | 43 | 34 - |
| 3RH2911-. FA04 | - 4 |  | 44E | - - |
| With 1 NO contact | | | | |
| 3RH2911-. HA10 | 1 - |  | 50E | 41E 32E |
| 3RH2911-. HA11 | 1 1 |  | 51X | 42X 33X |
| 3RH2911-. HA12 | 1 2 |  | 52 | 43 34 |
| 3RH2911-. HA13 | 1 3 |  | 53X | 44X - |
| With 2 NO contacts | | | | |
| 3RH2911-. HA20 | 2 - |  | 60E | 51X 42X |
| 3RH2911-. HA21 | 2 1 |  | 61 | 52 43 |

9.5 Auxiliary switch

| Additional auxiliary switch | | Contactor relays | | | |
|-------------------------------|-----|------------------|-----|-----|-----|
| 3RH2911- HA22 | 2 2 | | 62X | 53 | 44X |
| 3RH2911- FA22 | 2 2 | | 62X | 53 | 44X |
| With 3 NO contacts | | | | | |
| 3RH2911- HA30 | 3 - | | 70 | 61 | 52 |
| 3RH2911- HA31 | 3 1 | | 71X | 62X | 53X |
| With 4 NO contacts | | | | | |
| 3RH2911- FA40 | 4 - | | 80E | 71X | 62X |
| With make-before-break | | | | | |
| 3RH2911- FB11 | - 1 | | 51 | 42 | 33 |
| 3RH2911- FB22 | - 2 | | 62 | 53 | 44 |
| 3RH2911- FC22 | - 3 | | 62 | 53 | 44 |
| Fully labeled | | | | | |
| 3RH2911- 1AA10 | 1 - | | 50 | 41 | 32 |
| 3RH2911- 1BA10 | 1 - | | 50 | 41 | 32 |
| 3RH2911- 1AA01 | - 1 | | 41 | 32 | 23 |
| 3RH2911- 1BA01 | - 1 | | 41 | 32 | 23 |
| 3RH2911- 1LA11 | 1 1 | | 51 | 42 | 33 |
| 3RH2911- 1MA11 | 1 1 | | 51 | 42 | 33 |

| Additional auxiliary switch | | Contactor relays | | | |
|---|-----|------------------|-----|-----|-----|
| 3RH2911- 1LA20 | 2 - | | 60 | 51 | 42 |
| 3RH2911- 1MA20 | 2 - | | 60 | 51 | 42 |
| Fully labeled (for contactor relays) | | | | | |
| 3RH2911- GA40 | 4 - | | 80E | - | - |
| 3RH2911- GA31 | 3 1 | | 71E | - | - |
| 3RH2911- GA22 | 2 2 | | 62E | - | - |
| 3RH2911- GA13 | 1 3 | | 53E | - | - |
| 3RH2911- GA04 | - 4 | | 44E | - | - |
| Fully labeled; special version | | | | | |
| 3RH2911- XA40 -OMAO | 4 - | | 80E | 71X | 62X |
| 3RH2911- XA31 -OMAO | 3 1 | | 71E | 62X | 53 |
| 3RH2911- XA22 -OMAO | 2 2 | | 62E | 53 | 44X |
| 3RH2911- XA04 -OMAO | - 4 | | 44E | - | - |
| Solid-state compatible | | | | | |
| 3RH2911- NF02 | - 2 | | 42 | 33 | 24 |
| 3RH2911- NF11 | 1 1 | | 51 | 42 | 33 |
| 3RH2911- NF20 | 2 - | | 60 | 51 | 42 |

9.5 Auxiliary switch

| Additional auxiliary switch | | Contactor relays | | | |
|-----------------------------|-----|------------------|----|----|----|
| 3RH2911- 2NE21 | 2 1 | | 21 | 21 | 21 |
| 3RH2911- 1NE22 | 2 2 | | 22 | 22 | 22 |

1) Assemblies in accordance with EN 50012, EN 50011 or IEC 60947-5-1 are in **bold** type.
All assemblies comply with EN 50005.

Table 9-17 Lateral auxiliary switches for 3-pole and 4-pole contactors

| Additional auxiliary switch | | 3-pole contactors | | | 4-pole contactors | | | | | |
|-------------------------------------|--------------------|-------------------|-------|-------------------------------------|-------------------|----------------|-------------------------------------|----------------|----------------|----------------|
| Article number | Auxiliary contacts | | S00 | S0/S2 | S00 | S0/S2 | | | | |
| | NO | NC | | | | 3RT201 | 3RT201 | 3RT20. | 3RT231 | 3RT251 |
| Version | | | | 10 | 01 | 11 | -- | -- | 11 | 11 |
| | | | | | | | | | | |
| | | | | 2. 3. 4. 5. | 5. 6. 7. 8. | 3. 4. 5. 6. | 1. 2. 3. 4. | 1. 2. 3. 4. | 3. 4. 5. 6. | 3. 4. 5. 6. |
| | | | | According to EN 50012 ¹⁾ | | | According to EN 50012 ¹⁾ | | | |
| For size S00 | | Left | Right | | | | | | | |
| 3RH2911-.DA02 | - 2 | | | 12 | - | - | 02 | 02 | - | - |
| 3RH2911-.DA02 | - 4 | | | 14 | - | - | - | - | - | - |
| 3RH2911-.DA11 | 1 1 | | | 21 | - | - | 11 | 11 | - | - |
| 3RH2911-.DA11 | 2 2 | | | 32 | - | - | 22 | 22 | - | - |
| 3RH2911-.DA20 | 2 - | | | 30 | - | - | 20 | 20 | - | - |
| 3RH2911-.DA20 | 4 - | | | 50 | - | - | 40 | 40 | - | - |
| 3RH2911-.DA20 + 3RH2911-.DA11 | 2 1 | | | 41 | - | - | 31 | 31 | - | - |
| 3RH2911-.DA20 + 3RH2911-.DA02 | 2 - - 2 | | | 32 | - | - | 22 | 22 | - | - |

| Additional auxiliary switch | | | 3-pole contactors | | | 4-pole contactors | | | | | |
|--|---|---|-------------------|--|-----------|-------------------|-----------|----|----|-----------|-----------|
| 3RH2911-.DA11 | 1 | 1 | | | 23 | - | - | 13 | - | - | - |
| + 3RH2911-.DA02 | - | 2 | | | | | | | | | |
| For sizes S00 / S0 / S2 / S3 | | | | | | | | | | | |
| 3RH2921-.DA02 | - | 2 | | | 12 | 03 | 13 | 02 | 02 | 13 | - |
| 3RH2921-.DA02 | - | 4 | | | 14 | - | - | - | - | - | - |
| 3RH2921-.DA11 | 1 | 1 | | | 21 | 12 | 22 | 11 | 11 | 22 | 22 |
| 3RH2921-.DA11 | 2 | 2 | | | 32 | 23 | 33 | 22 | 22 | 33 | - |
| 3RH2921-.DA20 | 2 | - | | | 30 | 21 | 31 | 20 | 20 | 31 | 31 |
| 3RH2921-.DA20 | 4 | - | | | 50 | 41 | 51 | 40 | 40 | 51 | 51 |
| 3RH2921-.DA20 | 2 | - | | | 41 | 32 | 42 | 31 | 31 | 42 | 42 |
| + 3RH2921-.DA11 | 1 | 1 | | | | | | | | | |
| 3RH2921-.DA20 | 2 | - | | | 32 | 23 | 33 | 22 | 22 | 33 | - |
| + 3RH2921-.DA02 | - | 2 | | | | | | | | | |
| 3RH2921-.DA11 | 1 | 1 | | | 23 | 14 | 24 | 13 | - | - | - |
| + 3RH2921-.DA02 | - | 2 | | | | | | | | | |
| For contactor relays | | | | | | | | | | | |
| 3RH2921-.DA02 | - | 2 | | | - | - | - | - | - | - | - |
| 3RH2921-.DA11 | 1 | 1 | | | - | - | - | - | - | - | - |
| 3RH2921-.DA20 | 2 | - | | | - | - | - | - | - | - | - |
| Solid-state-compatible for size S00 | | | | | | | | | | | |
| 3RH2911-2DE11 | 1 | 1 | | | 21 | - | - | 11 | 11 | - | - |
| 3RH2911-2DE11 | 2 | 2 | | | 32 | - | - | 22 | 22 | - | - |

9.5 Auxiliary switch

| Additional auxiliary switch | | | 3-pole contactors | | | 4-pole contactors | | | | | |
|--|---|---|-------------------|----|----|-------------------|----|----|----|----|---|
| Solid-state-compatible for size S0 / S00 | | | | | | | | | | | |
| 3RH2921-2DE11 | 1 | 1 | | 21 | 12 | 22 | 11 | 11 | 22 | 22 | |
| 3RH2921-2DE11 | 2 | 2 | | | 32 | 23 | 33 | 22 | 22 | 33 | - |
| Solid-state-compatible for contactor relays | | | | | | | | | | | |
| 3RH2921-.DE11 | 1 | 1 | | - | - | - | - | - | - | - | |

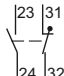

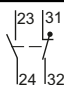
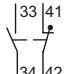
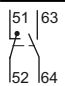
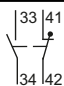
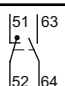
¹⁾ Assemblies in accordance with EN 50012, EN 50011 or IEC 60947-5-1 are in **bold type**. All assemblies comply with EN 50005.

Table 9-18 Lateral auxiliary switches for contactor relays

| Additional auxiliary switch | | | Contactor relays | | | |
|-----------------------------|--------------------|----|--|------------|------------|---|
| Article number | Auxiliary contacts | | S00 | | | |
| | Version | | 3RH21 | | | |
| | NO | NC | 40E | 31E | 22E | |
| | | | | | | |
| | | | 5. 6. | 5. 6. | 5. 6. | |
| | | | 7. 8 | 7. 8 | 7. 8 | |
| | | | According to EN 50011 ¹⁾ | | | |
| For size S00 | | | Left | Right | | |
| 3RH2911-.DA02 | - | 2 | | | - | - |
| 3RH2911-.DA02 | - | 4 | | | - | - |
| 3RH2911-.DA11 | 1 | 1 | | | - | - |
| 3RH2911-.DA11 | 2 | 2 | | | - | - |
| 3RH2911-.DA20 | 2 | - | | | - | - |
| 3RH2911-.DA20 | 4 | - | | | - | - |

| Additional auxiliary switch | | | Contactor relays | | | | |
|--|---|---|------------------|--|------------|------------|------------|
| 3RH2911-.DA20 | 2 | - | | | - | - | - |
| + 3RH2911-.DA11 | 1 | 1 | | | - | - | - |
| 3RH2911-.DA20 | 2 | - | | | - | - | - |
| + 3RH2911-.DA02 | - | 2 | | | - | - | - |
| 3RH2911-.DA11 | 1 | 1 | | | - | - | - |
| + 3RH2911-.DA02 | - | 2 | | | - | - | - |
| For sizes S0 / S2 / S3 | | | | | | | |
| 3RH2921-.DA02 | - | 2 | | | - | - | - |
| 3RH2921-.DA02 | - | 4 | | | - | - | - |
| 3RH2921-.DA11 | 1 | 1 | | | - | - | - |
| 3RH2921-.DA11 | 2 | 2 | | | - | - | - |
| 3RH2921-.DA20 | 2 | - | | | - | - | - |
| 3RH2921-.DA20 | 4 | - | | | - | - | - |
| 3RH2921-.DA20 | 2 | - | | | - | - | - |
| + 3RH2921-.DA11 | 1 | 1 | | | - | - | - |
| 3RH2921-.DA20 | 2 | - | | | - | - | - |
| + 3RH2921-.DA02 | - | 2 | | | - | - | - |
| 3RH2921-.DA11 | 1 | 1 | | | - | - | - |
| + 3RH2921-.DA02 | - | 2 | | | - | - | - |
| For contactor relays | | | | | | | |
| 3RH2921-.DA02 | - | 2 | | | 42Z | 33X | 24 |
| 3RH2921-.DA11 | 1 | 1 | | | 51X | 42X | 33X |
| 3RH2921-.DA20 | 2 | - | | | 60Z | 51X | 42X |
| Solid-state-compatible for size S00 | | | | | | | |

9.5 Auxiliary switch

| Additional auxiliary switch | | | Contactor relays | | | | |
|--|---|---|---|---|------------|------------|------------|
| 3RH2911-2DE11 | 1 | 1 | |  | - | - | - |
| 3RH2911-2DE11 | 2 | 2 |  |  | - | - | - |
| Solid-state-compatible for sizes S0 ... S3 | | | | | | | |
| 3RH2921-2DE11 | 1 | 1 | |  | - | - | - |
| 3RH2921-2DE11 | 2 | 2 |  |  | - | - | - |
| Solid-state-compatible for contactor relays | | | | | | | |
| 3RH2921-.DE11 | 1 | 1 |  | | 51X | 42X | 33X |

¹⁾ Assemblies in accordance with EN 50012, EN 50011 or IEC 60947-5-1 are in **bold** type. All assemblies comply with EN 50005.

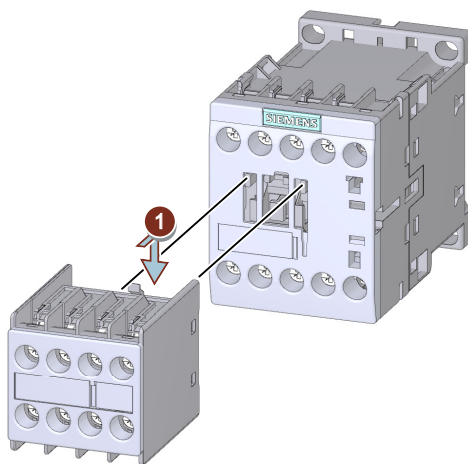
9.5.1.4 Mounting/Disassembly

The procedures for mounting and disassembling auxiliary switches for mounting on the front and laterally are described below.

Mounting the front-side 2- / 4-pole auxiliary switch (sizes S00 / S0 / S2 / S3)

The following illustration shows an example of mounting size S00.

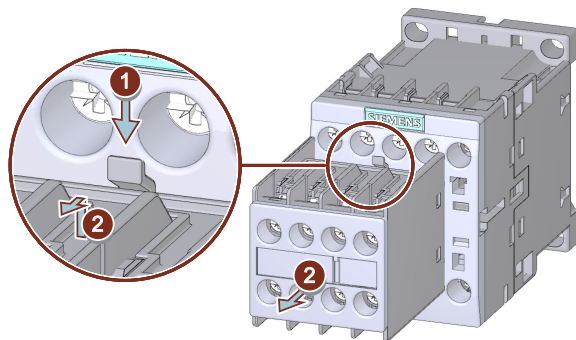
Sizes S0 / S2 / S3 are mounted in the same way.



- ① Push the auxiliary switch, which can be mounted on the front, into the location hole on the contactor. Pull it down until it engages.

Disassembling the front-mounted auxiliary switch – 2- / 4-pole auxiliary switch (sizes S00 / S0 / S2 / S3)

The following illustration shows an example of disassembling size S00.
 Sizes S0 / S2 / S3 are disassembled in the same way.



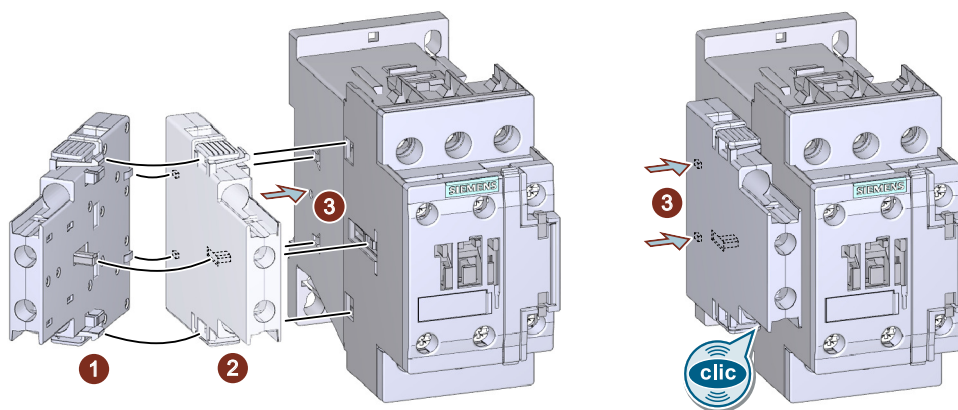
- ① Activate the release lever on the auxiliary switch.
- ② Push the auxiliary switch up and pull it forward to remove it from the contactor.

Note

The procedure for mounting/disassembling the 1-pole auxiliary switch on the front is the same.

Mounting the lateral auxiliary switch (sizes S00 / S0 / S2 / S3)

The following illustration shows an example of mounting size S0.
 Sizes S00 / S2 / S3 are mounted in the same way.



- ①/②/③ Attach the lateral auxiliary switch to the contactor and snap it on.

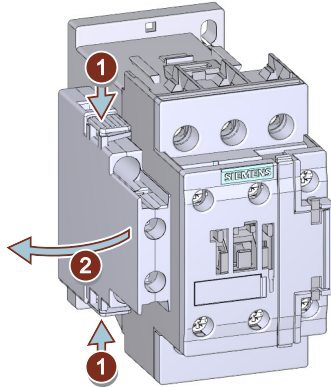
Note

The laterally mountable auxiliary switches according to DIN EN 50012 can only be used if no 2-pole or 4-pole auxiliary switches are snapped onto the front.

Disassembling the laterally mounted auxiliary switch (sizes S00 / S0 / S2 / S3)

The following illustration shows an example of disassembling size S0.

Sizes S00 / S2 / S3 are mounted in the same way.



- ① Release the lateral auxiliary switch by pressing the chequered areas on the auxiliary switch down.
- ② Remove the auxiliary switch from the side of the contactor.

9.5.2 Auxiliary switch for 3RT1 power contactors

9.5.2.1 Description

Function

Size S6 to S12 3RT10, 3RT12 and 3RT14 contactors and the 3RT148 contactors feature a laterally mounted auxiliary switch fitted at the factory.

Versions and designs

The auxiliary switches are available with screw or spring-type terminals (exception: 3RT13 and 3RT148) in the following versions:

- On the front, 1-pole to 4-pole (exception: 3RT13 and 3RT148)
- Lateral, 2-pole

Optionally, auxiliary switches with connection from above or below are available. These auxiliary switches have fixed location identifiers and are supplied with screw connections only. For spring-loaded connection, 4-pole auxiliary switches are offered that are only fitted with auxiliary contacts 1 and 2.

2-pole auxiliary switches can be mounted on the side in addition to the auxiliary switches already mounted at the factory. If 1-pole auxiliary switches are used, the location identifiers on the contactor must be noted when making a selection for ordering.

Auxiliary switch

The table below provides an overview of all available auxiliary switches for 3RT10, 3RT12 and 3RT14 contactors.

| Design of the auxiliary switch | Size S6 to S12 | Connection system | Article number |
|---|---|-------------------------|--|
| 4-pole auxiliary switches | Can be mounted onto the front | Screw terminals | 3RH1921-1F.. |
| | | Spring-loaded terminals | 3RH1921-2F... |
| 1-pole auxiliary switches | Can be mounted onto the front | Screw terminals | 3RH1921-1C... |
| | | Spring-loaded terminals | 3RH1921-2C... |
| 2-pole auxiliary switches | Laterally mountable | Screw terminals | 3RH1921-1D... 3RH1921-1J... 3RH1921-1E... 3RH1921-1K... |
| | | Spring-loaded terminals | 3RH1921-2D... 3RH1921-2J... 3RH1921-2E... 3RH1921-2K... |
| Solid-state time-delay auxiliary switches | Can be mounted onto the front ON-delay | Screw terminals | 3RT1926-2E... |
| | Can be mounted onto the front OFF-delay without control signal | | 3RT1926-2F... |
| | Can be mounted onto the front Star-delta (wye-delta) starting (varistor integrated) | | 3RT1926-2G... |
| Solid-state compatible auxiliary switches | Laterally mountable | Spring-loaded terminals | 3RH1921-2DE11 (1st auxiliary switch) 3RH1921-2JE11 (2nd auxiliary switch) |

The table below provides an overview of all available auxiliary switches for 3RT13 contactors.

| Design of the auxiliary switch | Size S6 to S12 | Connection system | Article number |
|--------------------------------|---------------------|-------------------|---|
| 2-pole auxiliary switches | Laterally mountable | Screw terminals | 3RH1951-1TA11 (1st auxiliary switch) 3RH1951-1SA11 (2nd auxiliary switch optional) |

9.5 Auxiliary switch

The table below provides an overview of all available auxiliary switches for 3RT148 contactors.

| Design of the auxiliary switch | Size S6 to S12 | Connection system | Article number |
|--------------------------------|---------------------|-------------------|---|
| 2-pole auxiliary switches | Laterally mountable | Screw terminals | 3RH1981-1DA11 (1st auxiliary switch) 3RH1981-1JA11 (2nd auxiliary switch optional) |

Solid-state auxiliary switches for 3RT10, 3RT12 and 3RT14 contactors (exception: 3RT148)

Solid-state-compatible auxiliary switches feature two encapsulated contacts, which are particularly well suited to switching low voltages and currents (hard gold-plated contacts) and for operation in dusty atmospheres. The rated operational current is I_e / AC-14 and DC-13: 1 to 300 mA, voltage: 3 to 60 V.

The solid-state compatible auxiliary switches for mounting on the front are available with screw-type, spring-loaded, and ring cable lug connections. The laterally mountable solid-state compatible auxiliary switches are available with spring-loaded connections.

Auxiliary switches with overlapping contacting for 3RT10, 3RT12 and 3RT14 contactors (exception: 3RT148)

Auxiliary switches with overlapping contacting are available with screw-type and spring-loaded connections. The table below shows the versions of the auxiliary switches available with overlapping contacting.

Table 9-19 Auxiliary switches with overlapping contacting

| Size S6 ... S12 | Auxiliary switch version | |
|-----------------|--------------------------|-----------------------|
| 3RH1921-1CD01 | 01 | 1 NC contact, lagging |
| 3RH1921-1CD10 | 10 | 1 NO contact, leading |

Expansion of the auxiliary switch fittings for 3RT10, 3RT12 and 3RT14 contactors (exception: 3RT148)

The contactors of sizes S6 to S12 are equipped with lateral 2-pole auxiliary switches:

- Air-break contactors and vacuum contactors with conventional / electronic operating mechanism: 2 NO contacts + 2 NC contacts
- Air-break contactors with remaining lifetime signal: 1 NO contact + 1 NC contact

The devices can be expanded with laterally-mounted auxiliary switches (for air-break contactors and vacuum contactors) or front-mounted auxiliary switches (for air-break contactors only).

The table below shows the expansion options for contactors in sizes S6 to S12.

| Size | Auxiliary switch | Connection system |
|-----------|--|---|
| S6 to S12 | <ul style="list-style-type: none"> 1-pole and 4-pole (can be mounted on the front) 2-pole (laterally mountable) | Screw-type connection system Spring-loaded connection system |
| | Feeder auxiliary switch (can be mounted on the front): <ul style="list-style-type: none"> 2-pole (1 NO contact + 1 NC contact) 2-pole (2 NO contacts or 2 NC contacts) Cable entry from top or bottom possible | Screw-type connection system |

9.5.2.2 Configuration

Maximum number of auxiliary switches

The maximum number of auxiliary switches which can be attached is determined by technical constraints and by the applicable standard.

The tables below show the maximum number of auxiliary contacts that can be mounted on 3RT1 power contactors.

| Operating mechanism type | Contactor type | In the lower operating range | |
|--------------------------|--|--------------------------------|--------------------------------|
| | | $0.8 \times U_{Smin}$ | $0.85 \times U_{Smin}$ |
| 3RT1...-A conventional | 3RT105 / 3RT106 / 3RT107 / 3RT145 / 3RT146 / 3RT147 air-break contactors | 8, of which max. 4 NC contacts | 9, of which max. 6 NC contacts |
| | 3RT12 vacuum contactors | 8, of which max. 4 NC contacts | 8, of which max. 6 NC contacts |
| 3RT1...-N electronic | 3RT1.5 / 3RT1.6 / 3RT1.7 air-break contactors / vacuum contactors | 8, of which max. 4 NC contacts | |
| with RLT 3RT1...-P/Q | 3RT105 / 3RT106 / 3RT107 / 3RT145 / 3RT146 / 3RT147 air-break contactors | 8, of which max. 4 NC contacts | |
| 3RT13 electronic | Air-break contactors | 8, of which max. 4 NC contacts | -- |
| 3RT148. electronic | Air-break contactors | 8, of which max. 4 NC contacts | -- |

Note

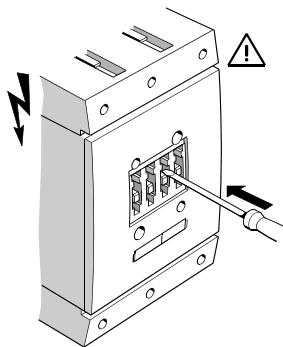
When two 2-pole laterally mountable auxiliary switches are used, one auxiliary switch must be attached on the right and one on the left for reasons of symmetry.

Note about fitting auxiliary switches

When using the 3RA1954-2A mechanical interlock:

- In the case of contactors with conventional / electronic operating mechanism 3RT1...-A/N: an additional auxiliary switch can be attached between the contactors
- In the case of contactors with remaining lifetime signal RLT 3RT1...-P/Q: the left mounted auxiliary switch of the right contactor must be removed

Manual operation of the contactor relays



With 3RT105 / 3RT106 / 3RT107 / 3RT145 / 3RT146 / 3RT147 air-break contactors, the lateral auxiliary contacts can be operated for test purposes by pressing the auxiliary switch receptacle / switch position indicator on the front. By doing this the main contacts would also touch, without resulting in contact resilience.

| |
|--|
| NOTICE |
| Hazardous voltage |
| It must be ensured that the contactors are disconnected from the power system. |

Switching order of auxiliary contacts

When contactors are switched on, with standard auxiliary switches the NC contacts are opened first, then the NO contacts are closed.

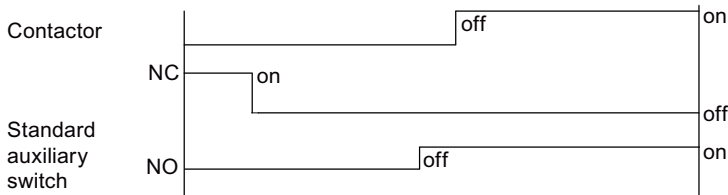


Figure 9-7 Switching auxiliary contacts

9.5.2.3 Terminal designations and identification numbers for auxiliary contacts

Terminal designations

The terminal designations are 2-digit, e.g. 13, 14, 21, 22:

- Tens digit: Sequence number
 - Related terminals have the same sequence number
- Units digit: Function number
 - 1 to 2 for NC contact
 - 3 to 4 for NO contacts

Identification numbers

The identification number indicates the number and type of the auxiliary contacts, e.g. 40, 31, 22, 13:

- First digit: Number of NO contacts
- Second digit: Number of NC contacts

Examples:

- 31 = 3 NO contacts + 1 NC contact
- 40 = 4 NO contacts

Expansion of the contactors (sizes S6 to S12) (exception: 3RT13)

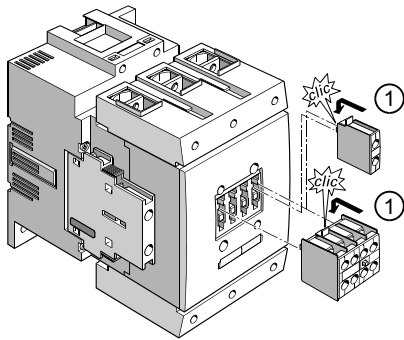
On contactors of sizes S6 to S12, 1-pole auxiliary switches can also be attached as an alternative to the 4-pole auxiliary switches.

The terminal designations of the 1-pole auxiliary switches consist of identification numbers (location identifiers) on the basic unit, and function numbers on the auxiliary switches.

9.5.2.4 Mounting/Disassembly

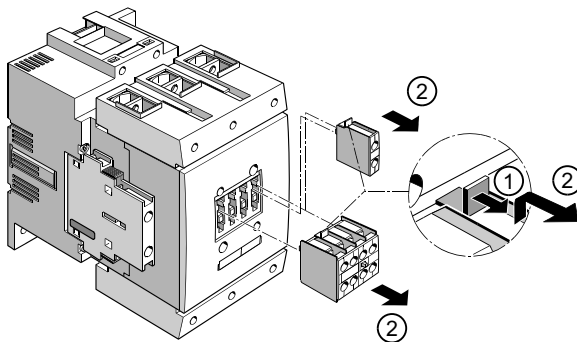
The procedures for mounting and disassembling auxiliary switches for mounting on the front and laterally are described below.

Mounting the front-side 1- / 4-pole auxiliary switch



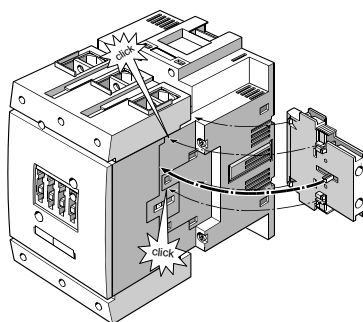
- ① Push the auxiliary switch, which can be mounted on the front, into the location hole on the contactor. Pull it down until it engages.

Disassembling the front-mounted auxiliary switch – 1- / 4-pole auxiliary switch



- ① Activate the release lever on the auxiliary switch.
- ② Push the auxiliary switch up and pull it forward to remove it from the contactor.

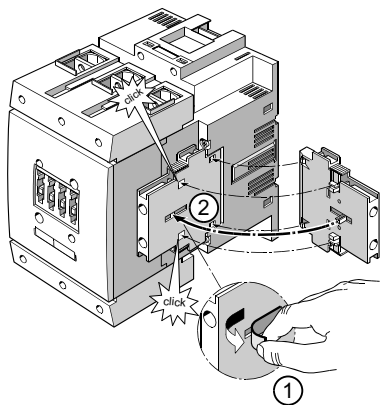
Mounting the lateral auxiliary switch on 3RT1.5, 3RT1.6 and 3RT1.7 contactors



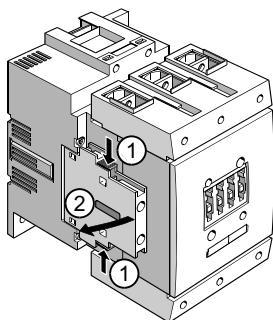
- ① Attach the lateral auxiliary switch to the contactor and snap it on.

Note

The laterally mountable auxiliary switches according to DIN EN 50012 can only be used if no 1-pole or 4-pole auxiliary switches are snapped onto the front.

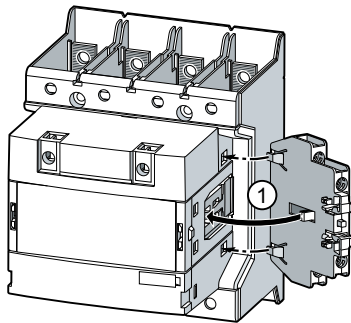
Mounting a second lateral auxiliary switch on 3RT1.5, 3RT1.6 and 3RT1.7 contactors

- ① Remove the sticker from the laterally mounted auxiliary switch.
- ② Attach the second lateral auxiliary switch to the mounted lateral auxiliary switch and snap it on.

Disassembling the lateral auxiliary switch from 3RT1.5, 3RT1.6 and 3RT1.7 contactors

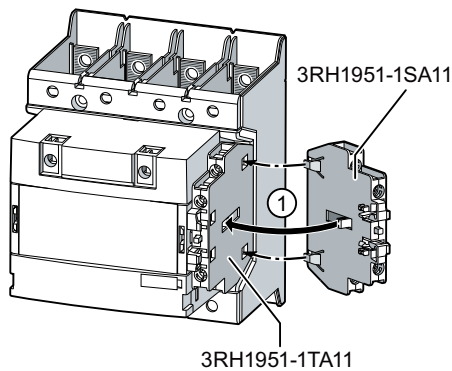
- ① Release the lateral auxiliary switch by pressing the chequered areas on the auxiliary switch down.
- ② Remove the auxiliary switch from the side of the contactor.

Mounting the lateral auxiliary switch on 3RT13 contactors



- ① Attach the lateral auxiliary switch to the contactor and snap it on.

Mounting a second lateral auxiliary switch on 3RT13 contactors

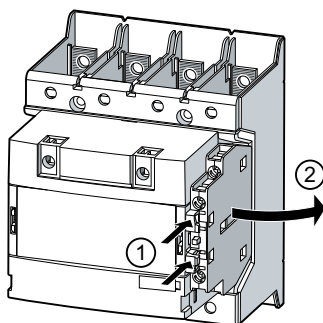


- ① Attach the second lateral auxiliary switch to the mounted lateral auxiliary switch and snap it on.

Note

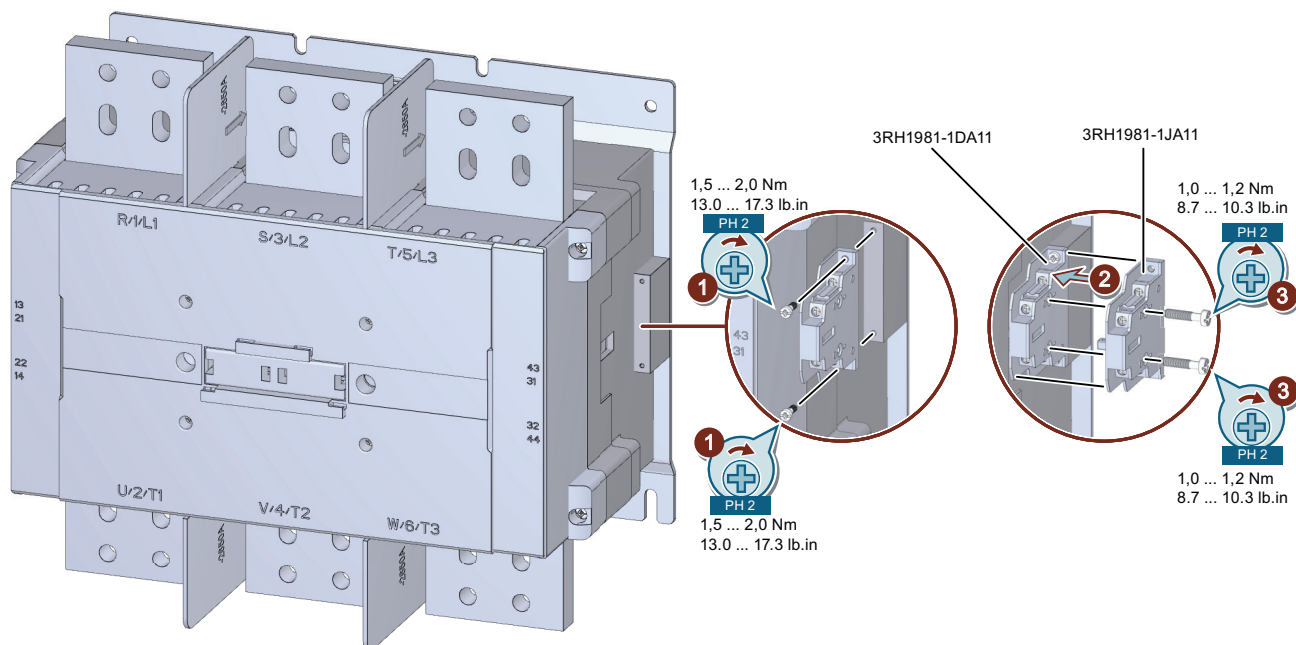
Mounting of the second 3RH1951-1SA11 auxiliary switch is optional.

Disassembling the lateral auxiliary switch from 3RT13 contactor



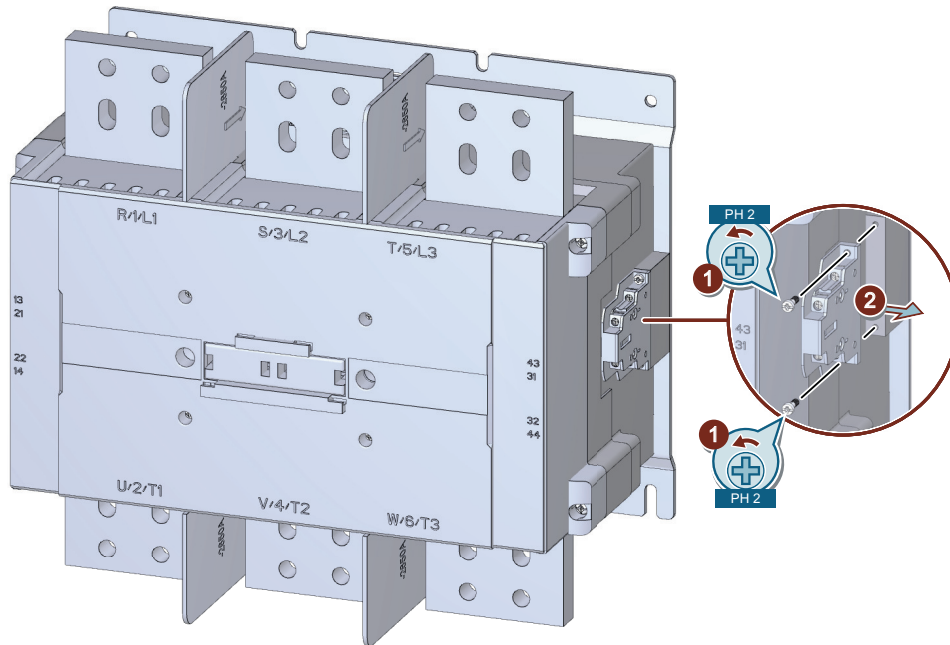
- ① Release the lateral auxiliary switch by pressing both areas on the auxiliary switch toward the rear.
- ② Remove the auxiliary switch from the side of the contactor.

Mounting the lateral auxiliary switch on 3RT148 contactors



- ① Screw the lateral 3RH1981-1DA11 auxiliary switch to the contactor and tighten it using a screwdriver.
- ② / ③ Position the two lateral 3RH1981-1JA11 auxiliary switches on the mounted lateral auxiliary switch and tighten it using a screwdriver.

Disassembling the lateral auxiliary switch from 3RT148 contactor



- ① Fasten the two screws on the lateral auxiliary switch.
- ② Remove the auxiliary switch from the side of the contactor.

9.6 Surge suppressor

9.6.1 Description

When contactor coils are disconnected, overvoltages occur (inductive loads). Voltage peaks of up to 4 kV can occur at a rate of rise of voltage of 1 kV/microsecond (shower discharges). This leads to:

- Substantial erosion and, as a result, premature wear of the contacts which switch the coil.
- Injection of interfering signals, which lead to fault signals in electronic controls.

Therefore, all contactor coils should be attenuated against switching overvoltages, particularly when working in conjunction with electronic controls.

Furthermore, the high rate of rise of the voltage waveforms generated can lead to the capacitive coupling of significant interfering signals with adjacent systems. They necessitate an RC circuit directly at the location where the source of interference originated, i.e. at the contactor coil. This prevents overvoltages from occurring directly at the place of origin and protects the electronic components which are sensitive to voltage too. It also prevents the capacitive coupling of interfering signals with the control cables of electronic circuits.

In addition to the standard operating mechanisms with a single operating mechanism coil in the contactor, solid-state operating mechanisms are also available for all 3RT1 and 3RT2 contactors. These contactors already have overvoltage damping integrated in their electronics.

Types of attenuation

The following RC circuit elements are commonly used for overvoltage attenuation; they are connected in parallel with the contactor coil:

- RC element
- Freewheeling diode, diode combination
- Varistors

The 3RT contactors, which are supplied without coil circuit, and 3RH21 contactor relays can be subsequently connected to RC elements or varistors for damping opening surges in the coil. Diodes or diode combinations can also be used.

Coupling relays, on the other hand, do not require any additional surge suppressor and can be used directly with electronic controls.

Reference

| More information ... | Can be found in the chapter ... |
|-----------------------|---------------------------------|
| About coupling relays | Coupling relays (Page 119) |

Surge suppressors for 3RT1 / 3RT2 / 3RH21 contactors

The following surge suppressors are available for the 3RT1 / 3RT2 / 3RH21 contactors:

Table 9-20 Overview - surge suppressors with LED

| Surge suppressors | Size S00 | Size S0 | Size S2 | Size S3 |
|-------------------------|---------------|---------------|---------------|-----------------------------|
| Noise suppression diode | 3RT2916-1L.00 | --- | --- | --- |
| Diode combination | --- | 3RT2926-1MR00 | --- | --- |
| Varistor | 3RT2916-1J.00 | 3RT2926-1J.00 | 3RT2936-1J.00 | 3RT2936-1J.00 ¹⁾ |
| RC element | --- | --- | --- | --- |

Table 9-21 Overview - surge suppressors without LED

| Surge suppressors | Size S00 | Size S0 | Size S2 | Size S3 | Size S6 - S12 |
|-------------------------|---------------|---------------|---------------|-----------------------------|---------------|
| Noise suppression diode | 3RT2916-1DG00 | --- | --- | --- | --- |
| Diode combination | 3RT2916-1EH00 | 3RT2926-1E.00 | 3RT2936-1E.00 | 3RT2936-1E.00 ¹⁾ | --- |

9.6 Surge suppressor

| Surge suppressors | Size S00 | Size S0 | Size S2 | Size S3 | Size S6 - S12 |
|-------------------|---------------|---------------|---------------|-----------------------------|---------------|
| Varistor | 3RT2916-1B.00 | 3RT2926-1B.00 | 3RT2936-1B.00 | 3RT2936-1B.00 ¹⁾ | --- |
| RC element | 3RT2916-1C.00 | 3RT2926-1C.00 | 3RT2936-1C.00 | 3RT2946-1C.00 | 3RT1956-1C... |

¹⁾ Product version 03 and higher

Identification of the surge suppressors for 3RT2 contactors sizes S0, S2 and S3

Table 9-22 Identification of the surge suppressors for 3RT2 contactors sizes S0, S2 and S3

| | | | | |
|--|---|---------------|---|---|
| | ① | | | |
| | | | AC | DC |
| | 1 | | 24 ... 48 V | 24 ... 70 V 12 ... 24 V ¹⁾ |
| | 2 | | 48 ... 127 V | 70 ... 150 V 24 ... 70 V ¹⁾ |
| | 3 | | 127 ... 240 V | 150 ... 250 V 70 ... 150 V ¹⁾ |
| | 4 | | 240 ... 400 V | - |
| | 5 | | 400 ... 600 V | - |
| | ② | | | |
| | V | | 3RT2926-1B.00 3RT2936-1B.00 | |
| | | | 3RT2926-1J.00 3RT2936-1J.00 | |
| | R | | 3RT2926-1C.00 3RT2936-1C.00 3RT2946-1C.00 | |
| | D | | 3RT2926-1E.00 3RT2936-1E.00 | |
| | | 3RT2926-1M.00 | | |

1) Applies to 3RT2926-1J.00 and 3RT2936-1J.00 (varistor with LED)

Switching overvoltage - surge suppressor

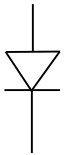
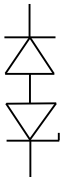
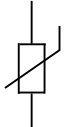
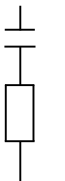
Overvoltages when switching off contactors (inductive load) can cause faults in electronic devices (timing relays, PLCs, coupling modules) in the same network if the contactors are used without the appropriate filters.


9.6.2 Configuration

Selection aid

The table below compares the effects of the different surge suppressors and specifies the applications to which they are most suited.

Table 9-23 Mode of operation and preferred applications of surge suppressors

| Surge suppressor | Suitable for Control voltage | Overvoltage is limited ... | Effect | Advantages/disadvantages | | Preferred application |
|--|------------------------------|---|--|--------------------------|---|--|
| Noise suppression/free-wheel diode  | DC | To forward voltage U_D | <ul style="list-style-type: none"> OFF-delay becomes considerably longer (6 to 10 times) With contactors, a so-called 2-step drop¹⁾ cannot be excluded (exception: 3RT2.1 and 3RH2) | Advantages | <ul style="list-style-type: none"> Simple implementation Reliable Non-critical dimensioning Low induction voltage | Instable control commands/control supply voltage |
| | | | | Disadvantages | <ul style="list-style-type: none"> Long drop-out delay Only suitable for 3RT2.1 and 3RH2 | |
| Diode combination  | DC | To forward voltage U_D + Breakdown voltage U_{BR} | <ul style="list-style-type: none"> OFF-delay becomes longer (2 to 6 times) A 2-stage drop-out no longer occurs | Advantages | <ul style="list-style-type: none"> Non-critical dimensioning | EMC-critical components in the vicinity |
| | | | | Disadvantages | <ul style="list-style-type: none"> No attenuation below the breakdown voltage U_{BR} | |
| Varistor  | AC/DC | To varistor voltage | <ul style="list-style-type: none"> OFF-delay becomes only slightly longer (2 to 5 ms) | Advantages | <ul style="list-style-type: none"> Energy absorption Non-critical dimensioning Simple implementation | Suitable for most standard applications, e.g. in the SIMATIC environment |
| | | | | Disadvantages | <ul style="list-style-type: none"> Attenuation only above U_{VDR} | |
| RC elements  | AC/DC | According to dimensioning | <ul style="list-style-type: none"> OFF-delay remains unchanged Rates of rise of voltage are attenuated | Advantages | <ul style="list-style-type: none"> RF attenuation Well suited to AC voltage Attenuation independent of levels | With critical operating times |
| | | | | Disadvantages | <ul style="list-style-type: none"> High inrush current Sensitive to harmonics | |

| Surge suppressor | Suitable for Control voltage | Overvoltage is limited ... | Effect | Advantages/disadvantages | Preferred application | | | | |
|---|--|----------------------------|--|--|-----------------------|--|---------------|--|--|
| Suppressor diode  | AC/DC | Breakdown voltage U_{BR} | <ul style="list-style-type: none"> Rate of rise of the voltage is not reduced Additional drop-out delay is too low (1 to 5 ms) | <table border="1"> <tr> <td>Advantages</td> <td> <ul style="list-style-type: none"> Non-critical dimensioning Simple design Protected against reverse polarity Short pick-up time </td> </tr> <tr> <td>Disadvantages</td> <td> <ul style="list-style-type: none"> Attenuation only above the breakdown voltage U_{BR} </td> </tr> </table> | Advantages | <ul style="list-style-type: none"> Non-critical dimensioning Simple design Protected against reverse polarity Short pick-up time | Disadvantages | <ul style="list-style-type: none"> Attenuation only above the breakdown voltage U_{BR} | Suitable for most standard applications, e.g. in the SIMATIC environment |
| Advantages | <ul style="list-style-type: none"> Non-critical dimensioning Simple design Protected against reverse polarity Short pick-up time | | | | | | | | |
| Disadvantages | <ul style="list-style-type: none"> Attenuation only above the breakdown voltage U_{BR} | | | | | | | | |

1) The drop-out speed falls to zero once or twice for a few milliseconds:

- Safe drop-out is always ensured during current-free switching.
- When switching with a current present, the contacts are subjected to a higher thermal load. This can lead to an overload when switching at the high current limit.

Technical background information

The oscillograms below show what happens when contactor coils are disconnected without and with overvoltage attenuation.

Coil without RC circuit

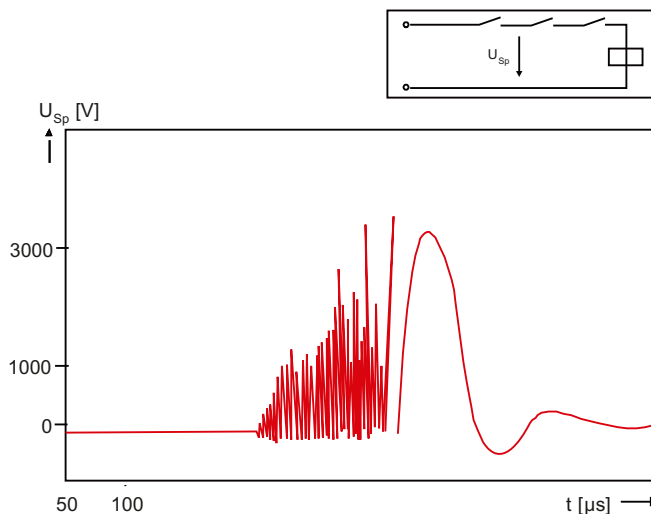


Figure 9-8 Disconnection of a contactor coil without RC circuit

Oscillogram of the disconnection of a contactor relay coil; the coil does not have an RC circuit: Shower discharges are clearly visible (voltage peaks up to several kV). Once the disconnection process has started, the shower discharges occur for about 250 µs; after that, the vibration is simply damped.

RC circuit with varistor

Varistors (voltage-dependent resistors) limit the maximum level of the overvoltage, as they become conductive above a certain threshold voltage. Shower discharges occur up to that level, in a similar way to those seen with the solenoid coil without an RC circuit, but they do not last as long overall. Unlike an RC element, varistors do not reduce the rate of the voltage rise. Varistors can be used for DC- and AC-operated contactors.

Note

Varistors extend the contactor's OFF time by around 2 to 5 ms.

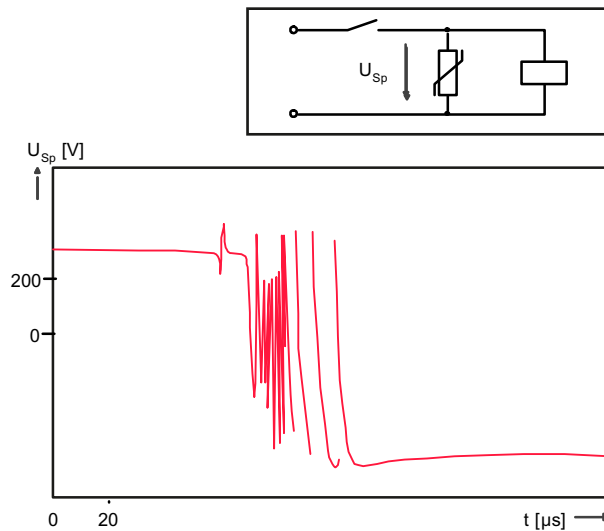


Figure 9-9 RC circuit with varistor (AC/DC operation)

Voltage peaks still occur. They are truncated at the varistor voltage and have a shorter total duration (approx. 50 μs).

Note

Oscilloscope is truncated; voltage drops to zero after approx. 3 ms.

RC circuit with RC element

RC elements are primarily used in the RC circuits of AC-operated contactors. They can also be used with DC-operated contactors. The increase in the effective capacitance at the coil reduces the amplitude to two to three times the control voltage, as well as the rate of rise of the switching overvoltage, so that shower discharges no longer occur. In this way, the RC circuit protects special dv/dt -sensitive output stages from unintentional connection.

Note

RC elements which have been selected correctly only have a minor influence on the contactors' switching times.

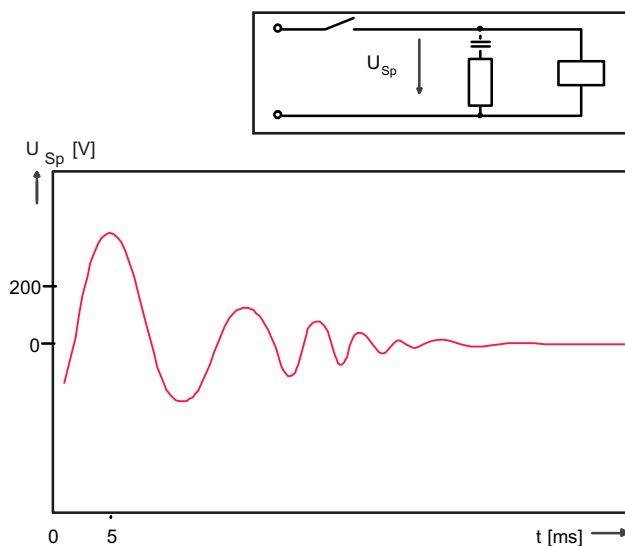


Figure 9-10 RC circuit with RC element (AC/DC operation)

The capacitor reduces the amplitude and the rate of rise of the switching overvoltage. Shower discharges no longer occur. The voltage jumps briefly to U_{RC} and then decreases gradually. This is the ideal type of attenuation. RC elements are suitable for AC and DC operation. Only a minimal OFF-delay arises.

Disadvantage: The component is larger and more expensive than other options.

RC circuit with suppression diode

Including a diode in an RC circuit ensures that switching overvoltages will no longer occur; the diode limits the voltage to the forward voltage U_D .

Noise suppression diodes can only be used for 3RT2.1 and 3RH2 DC-operated contactors.

Note

However, diodes extend the OFF delay (break time) by a factor of 6 to 9. This characteristic can be turned to the user's advantage if brief voltage dips in the range of a few milliseconds need to be bridged, for example. Freewheeling diodes are only technically useful for size S00 contactors. For higher power ratings we recommend an RC circuit with a diode combination.

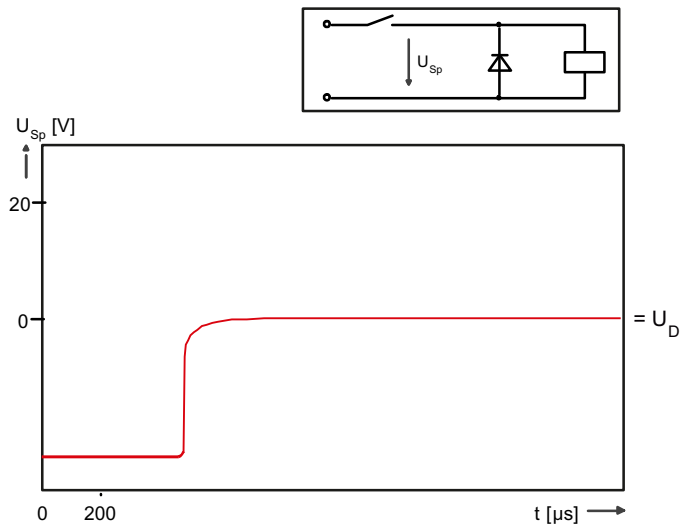


Figure 9-11 RC circuit with diode (DC operation)

Advantage: No overvoltages greater than the diode forward voltage U_D occur during the switch-off process.

Disadvantage: The diode can only be used for DC operation. The contactor's break time is extended considerably, amounting to 6 to 9 times the switch-off delay. This longer break time can be used for control purposes if required, e.g. to bridge short-time voltage dips.

Diode combinations are available for shorter break times.

RC circuit with a diode combination

Diode combinations comprise a diode and a Zener diode/suppressor diode. They limit the maximum level of the overvoltage, as they become conductive above the breakdown voltage of the Zener diode/suppressor diode. Unlike an RC element, diode combinations do not reduce the rate of the voltage rise.

Diode combinations can only be used for DC-operated contactors.

Note

The use of a diode combination does, however, extend the switch-off delay (the OFF time) by a factor of 2 to 6.

The diagram below shows the voltage characteristic for the contactor relay solenoid coil with an RC circuit from the graphic named "Disconnection of a contactor coil without RC circuit", with an appropriate diode combination.

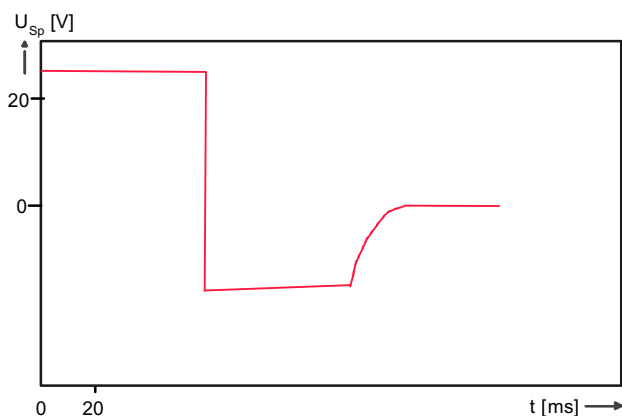


Figure 9-12 RC circuit with diode combination

RC circuit with a suppressor diode

If connected in parallel, suppressor diodes limit the maximum level of the overvoltage as they become conductive above a certain breakdown voltage. Unlike an RC element, suppressor diodes do not reduce the rate of the voltage rise. Suppressor diodes can be used for DC-operated contactors and AC-operated contactors and they influence the switching times only negligibly. In comparison to varistors, suppressor diodes have a shorter pick-up time.

The following diagram shows the voltage curve of a contactor coil with a suitable suppressor diode.

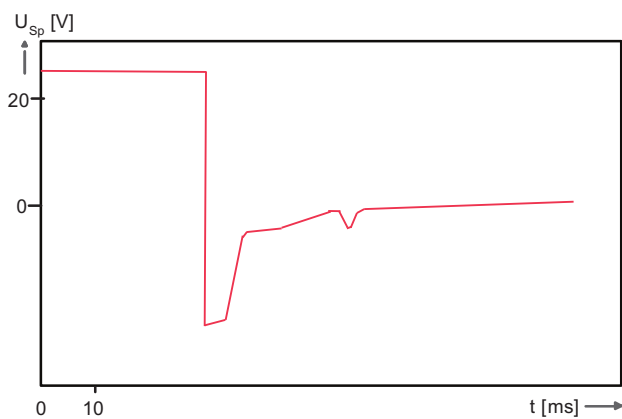
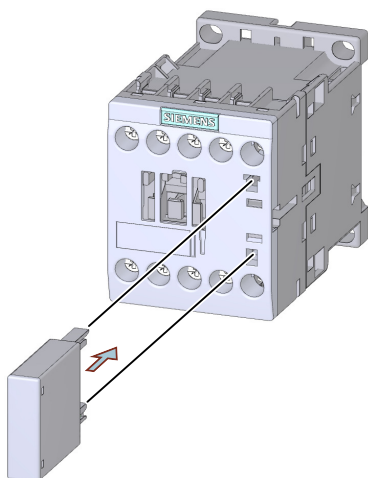


Figure 9-13 RC circuit with a suppressor diode

9.6.3 Mounting

Mounting a surge suppressor (size S00)

Mounting the surge suppressor (size S00)



- ① Attach the surge suppressor onto the front of the contactor. Codes help you to identify which is the correct way up when inserting the device.

Note:

There is sufficient space to mount the surge suppressor next to a mounted auxiliary switch.

Mounting a surge suppressor (sizes S0 to S2)

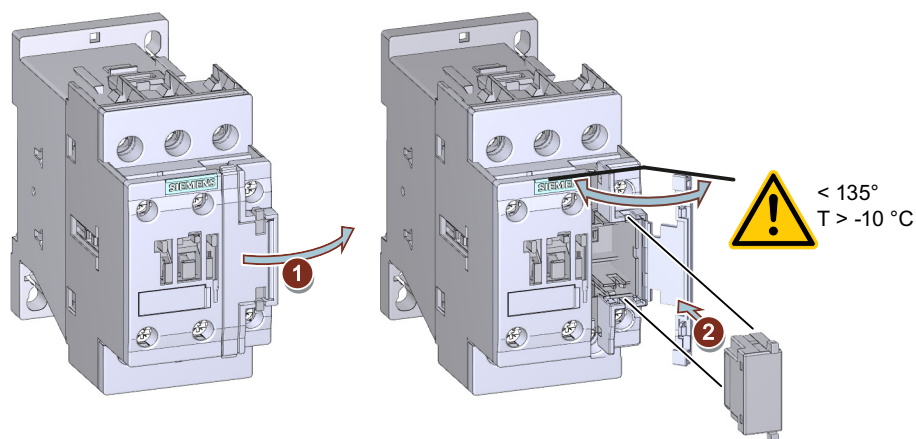
Mounting the surge suppressor with reference to size S0

NOTICE

Danger of material damage

Note the following information when mounting the surge suppressor:

- Temperature when mounting the surge suppressor: $> -10\text{ °C}$
- Maximum opening angle of the cover on the front panel of the contactor: 135°



- ① Open the cover on the front panel of the contactor.
- ② Insert the surge suppressor into the opening until it engages. Close the cover on the front panel of the contactor.

Note
Mounting the surge suppressor (size S2)

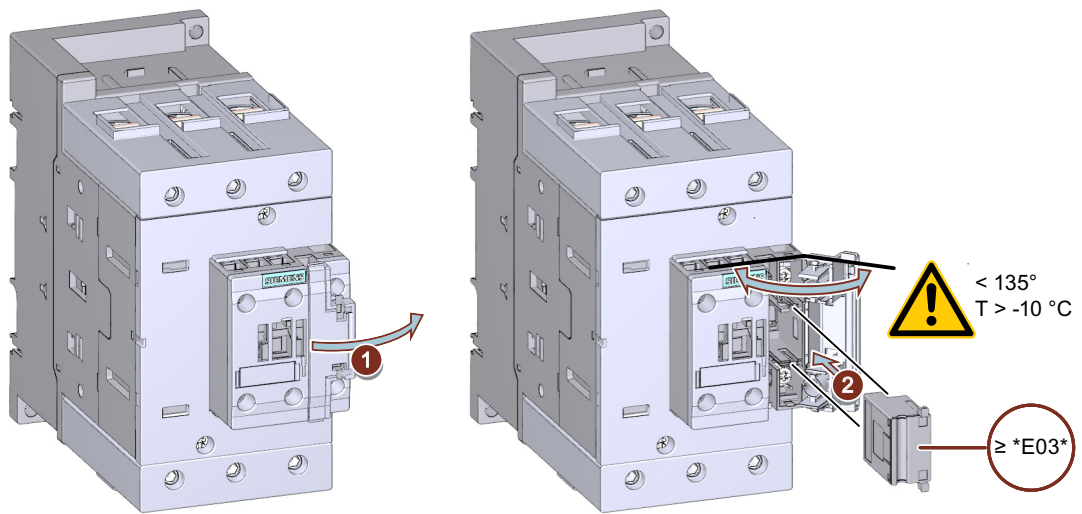
On size S2, mount the surge suppressor in the same way as on size S0. Surge suppressors cannot be retrospectively mounted for capacitor contactors for S0.

Mounting the 3RT2936-1.... surge suppressor (size S3)
Mounting the 3RT2936-1.... surge suppressor
NOTICE
Danger of material damage

Note the following information when mounting the surge suppressor:

- Temperature when mounting the surge suppressor: $> -10\text{ °C}$
- Maximum opening angle of the cover on the front panel of the contactor: 135°

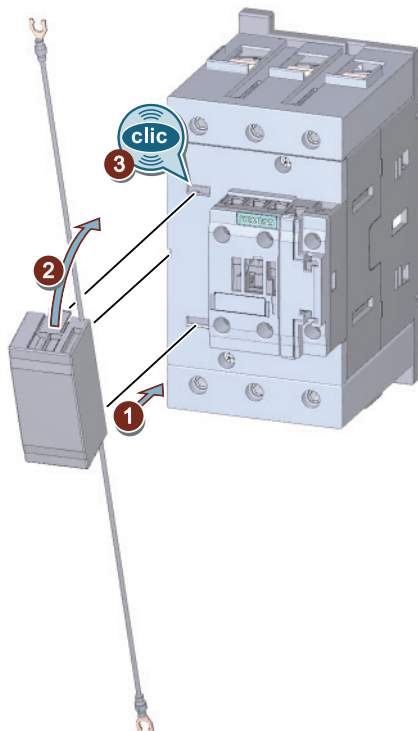
9.6 Surge suppressor



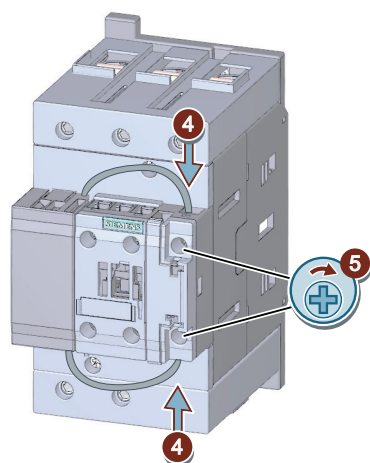
- ① Open the cover on the front panel of the contactor.
- ② Insert the surge suppressor (product version *E03* or higher) into the opening until it engages. Close the cover on the front panel of the contactor.

Mounting the 3RT2946-1C.00 (RC element) surge suppressor (size S3)

Mounting the 3RT2946-1C.00 surge suppressor with a fork-type cable lug on a contactor with screw-type connection system

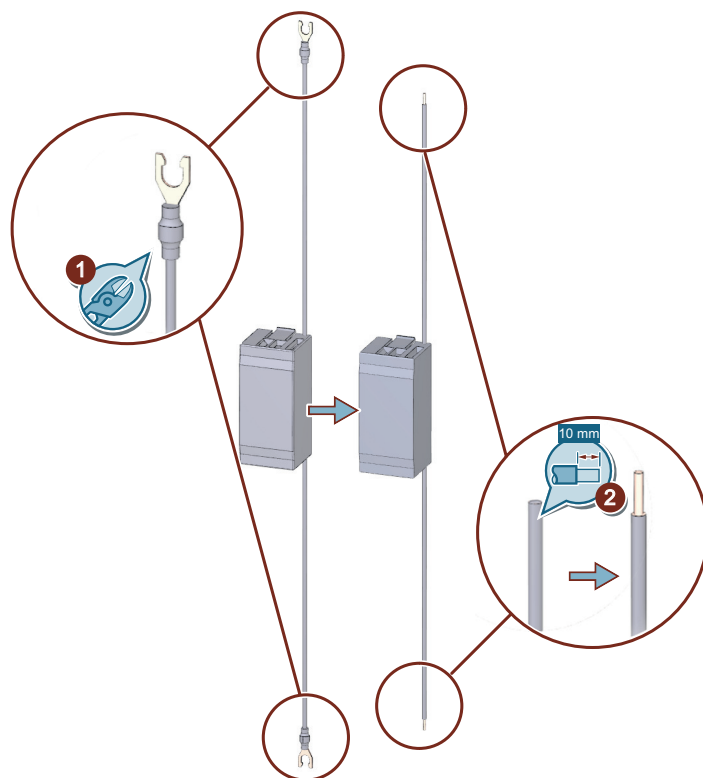


- ① Place the underside of the surge suppressor onto the contactor.
- ②/③ Latch the upper side of the surge suppressor with the contactor.



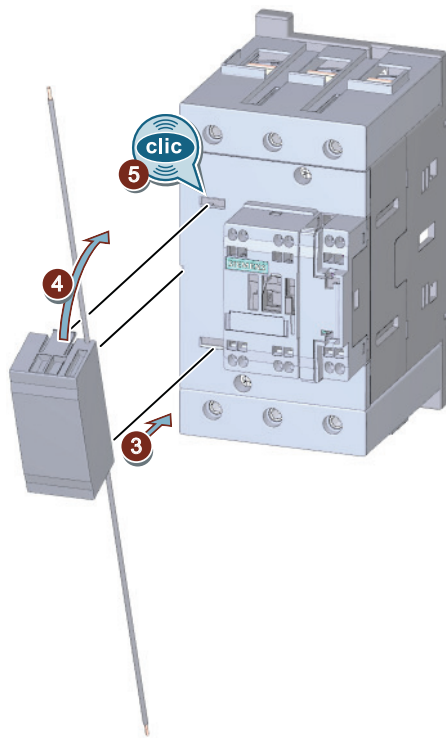
- ④/⑤ Thread the cables into coil terminals A1 and A2 of the contactor and screw them in place.

Mounting the 3RT2946-1C.00 surge suppressor with a fork-type cable lug on a contactor with spring-loaded connection system

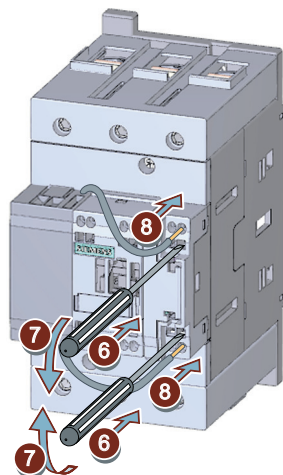


- ① Remove the fork-type cable lugs from the cables of the surge suppressor.
② Strip approx. 10 mm of insulation from the wires.

9.6 Surge suppressor

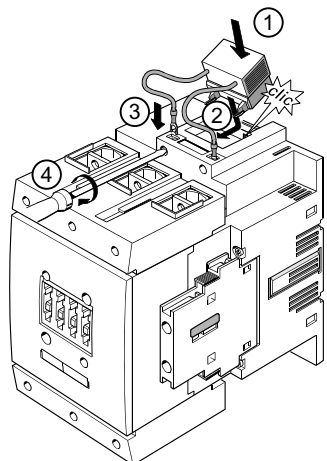


- ③ Place the underside of the surge suppressor onto the contactor.
- ④/⑤ Latch the upper side of the surge suppressor with the contactor.



- ⑥/⑦ Insert a screwdriver into the spring-loaded connections and release them.
- ⑧ Insert the cables into the spring-loaded terminals.

Installing surge suppressors on 3RT10, 3RT12 and 3RT14 contactors (sizes S6 - S12)



- ①/② Place the surge suppressor in position and latch it in place.
- ③ Insert the connecting cables into the terminal openings.
- ④ Screw the terminals in place.

9.7 EMC suppression module

9.7.1 Description

The EMC interference suppression module for size S00 contactors reduces the high-frequency components and the voltage level of a "counter-source voltage" in three phases. This results in the following advantages:

- **Reduction of arcing:**
The connection between the main current path and the EMC suppression module enables arcing, which is responsible for contact erosion and the majority of clicking noises, to be reduced; this in turn ensures an EMC-compliant design.
- **Increased operational reliability:**
Since the EMC suppression module achieves a significant reduction in radio-frequency components and the voltage level in three phases, the contact durability is extended considerably. This makes an important contribution towards enhancing the reliability and availability of the system as a whole.
- **Omission of fine graduation:**
There is no need for fine graduations within each power class, as smaller motors inherently have a higher inductance, so that one solution is adequate for all fixed-speed operating mechanisms up to 5.5 kW.

Versions

Two electrical versions of the EMC suppression module are available.

Table 9-24 Versions of the EMC suppression module

| Design of the EMC suppression module | Article number |
|--------------------------------------|----------------|
| RC circuit | 3RT2916-1PA |
| Varistor circuit | 3RT2916-1PB |

Circuit diagram

The diagram below shows an RC circuit with an RC element on the left, and an RC circuit with a varistor on the right.

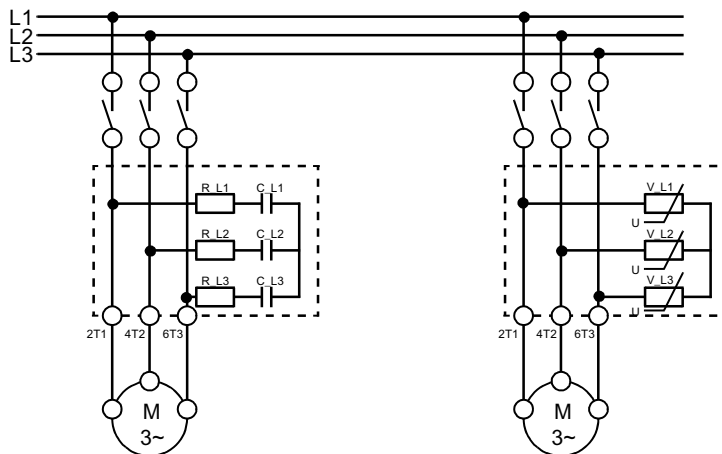


Figure 9-14 EMC suppression module, circuit diagram

9.7.2 Configuration

Selection aid

When motors or various inductive loads are disconnected, a counter-source voltage is generated. This can lead to voltage peaks of up to 4,000 V with a frequency spectrum from 1 kHz to 10 MHz and a rate of voltage variation from 0.1 to 20 V/ns.

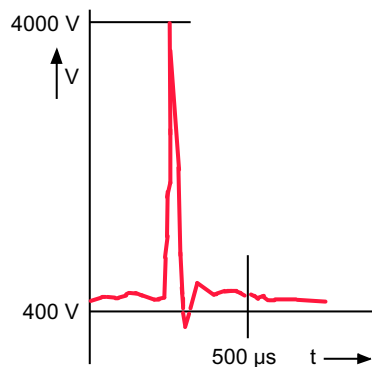


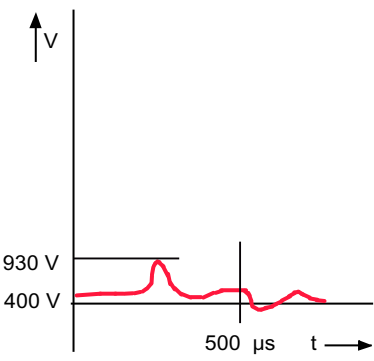
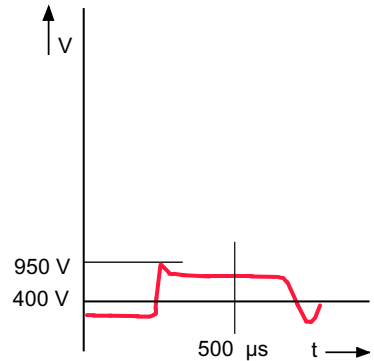
Figure 9-15 Counter-source voltage without RC circuit

Capacitive input to various analog and digital signals makes it necessary to suppress interference in the load circuit.

9.7 EMC suppression module

The EMC suppression module is available in two versions. The table below shows how the individual versions of the EMC suppression module differ.

Table 9-25 Differences between versions of the EMC suppression module

| EMC suppression module | Preferred application |
|--|--|
|  <p>RC circuit</p> | <ul style="list-style-type: none"> • For reducing the rate of rise • For RF attenuation <p>The values have been selected such that effective interference suppression can be achieved across a broad spectrum.</p> |
|  <p>Varistor circuit</p> | <p>The varistor circuit can absorb a high level of energy and can be used for frequencies ranging from 10 to 400 Hz (controlled operating mechanisms). There is no limiting below the knee-point voltage.</p> |

9.7.3 Mounting

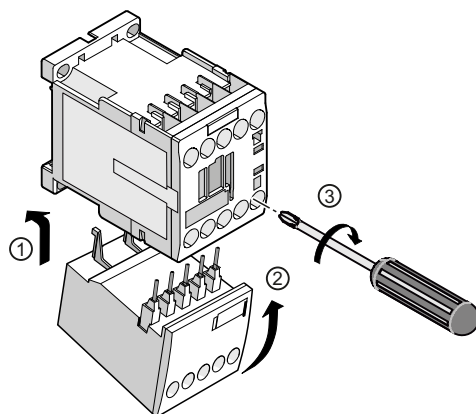
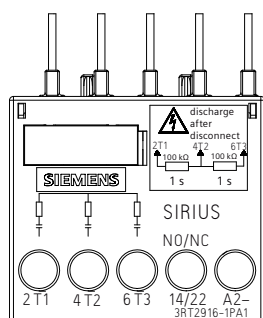
Mounting the EMC suppression module (size S00)

! DANGER

Hazardous voltage.
Will cause death, serious injury or damage to property.

Turn off and lock out all power supplying this device before working on this device.

Before disassembling the 3RT2916-1PA EMC suppression module, discharge the internal capacitors with a resistor (100 kOhm/1 s).



- ① Attach both hooks of the EMC suppression module onto the underside of the contactor.
- ② Tilt the EMC suppression module up until its pins are securely located in the contactor's terminal openings.
- ③ Screw the EMC suppression module tight with a screwdriver.

9.8 OFF-delay device

9.8.1 Description

The OFF-delay device prevents a contactor from dropping out unintentionally when there is a short-time voltage dip or voltage failure. The OFF-delay device supplies a downstream, DC-operated contactor with the necessary energy during a voltage dip, ensuring that the contactor does not drop out. The 3RT2916- OFF-delay devices have been specially adapted to the 3RT contactors (sizes S00 to S3) and the 3RH21 contactor relays (size S00), and are available in the versions shown below.

Note

OFF-delay device requires DC contactor or an AC/DC contactor

The OFF-delay device can be controlled with AC or with DC. However, it always requires a DC contactor or an AC/DC contactor

Table 9-26 Versions of the OFF-delay device

| Control voltage of the OFF-delay device | Article number |
|---|----------------|
| 24 V DC | 3RT2916-2BE01 |
| 110 V AC/DC | 3RT2916-2BK01 |
| 220/230 V AC/DC | 3RT2916-2BL01 |

9.8.2 Configuration

The OFF-delay device operates without external voltage on a capacitive basis and can be energized with either AC or DC (24 V version for DC operation only). Voltage matching is only required for AC operation and is performed using a rectifier bridge.

A contactor opens after a delay when the capacitors integrated in the OFF-delay device are switched in parallel to the contactor's magnet coil. In the event of voltage failures, the capacitors discharge via the magnet coil, thus delaying opening of the contactor.

If the command devices are located upstream of the OFF-delay device in the circuit, the device will be activated with every opening operation. If the activation takes place downstream of the OFF-delay device, an OFF-delay only applies if the line voltage fails. The mean OFF-delay value is around 1.5 times the specified minimum time.

9.8.3 Mounting

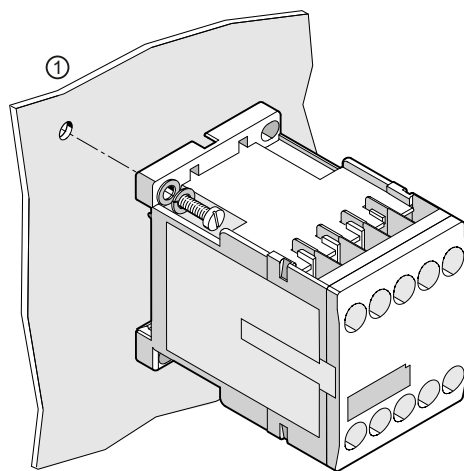
The 3RT2916-. OFF-delay devices are available with the following mounting types:

- Screwing onto a mounting plate
- Snapping onto a 35 mm DIN rail according to IEC 60715.

Mounting on mounting plate

The illustrations below depict screw mounting for sizes S00 to S3:

Screw mounting (sizes S00 to S3)



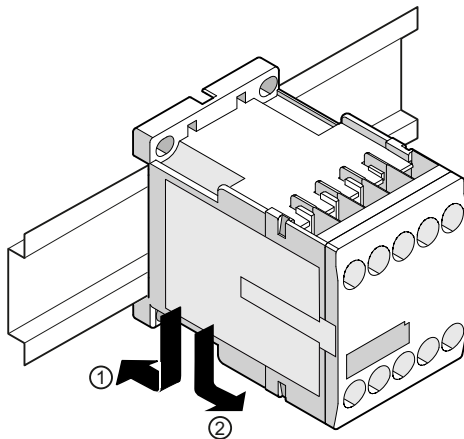
- ① Using two M4 screws (maximum tightening torque 1.2 to 1.6 Nm), plain washers, and spring washers, screw the OFF-delay device tight into the designated drill holes diagonally.

Snapping onto DIN rail (snap-on mounting)

Breaking delay devices of sizes S00 to S3 can be snapped onto a 35-mm standard mounting rail.

The illustrations below show how to snap OFF-delay devices onto/off a DIN rail:

Mounting / disassembling sizes S00 to S3 (snap-on mounting)



- ① Position the device on the top edge of the DIN rail and press down until it snaps onto the bottom edge of the DIN rail.
- ② To disassemble the device, press it down, pushing against the mounting springs, and swivel the device to remove it.

9.9 Mechanical latch

9.9.1 Description

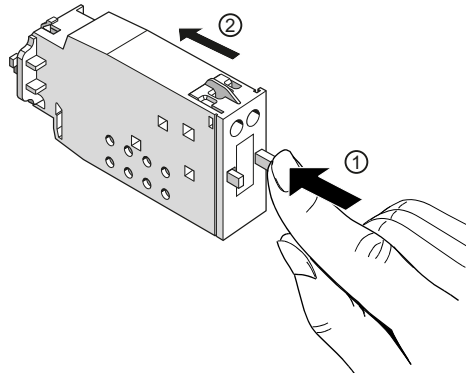
The mechanical latch for the 3RT2.2 power contactors ensures that the contactor remains switched on even if there is a voltage failure. The release coil has an ON period of 100%.

Table 9-27 Versions of the mechanical latch

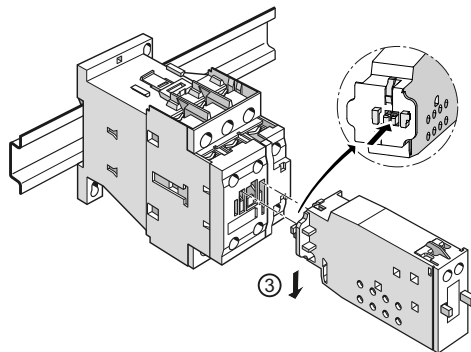
| Design of the mechanical latch | Article number |
|--------------------------------|----------------|
| 24 V AC/DC | 3RT2926-3AB31 |
| 110 V AC/DC | 3RT2926-3AF31 |
| 230 V AC/DC | 3RT2926-3AP31 |

9.9.2 Mounting/Disassembly

Mounting the mechanical latch

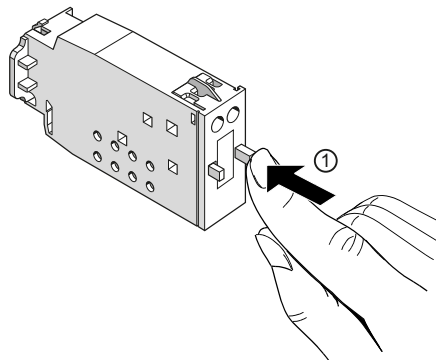


- ①/② When snapping on, the switch position indicator's rod must be unlocked. Unlock the rod by pressing on the switch position indicator and pushing the rod into the mechanical latch as far as it will go.



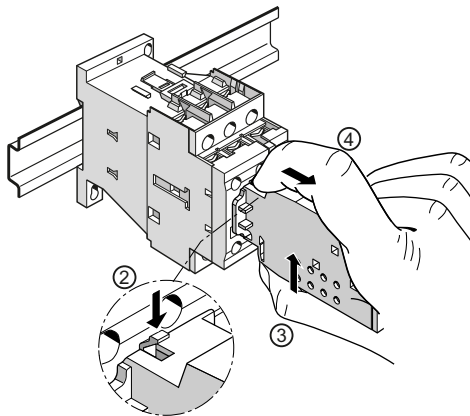
- ③ Snap the mechanical latch onto the center of the contactor until it engages.

Disassembling the mechanical latch



- ① Release the mechanical latch.

9.9 Mechanical latch



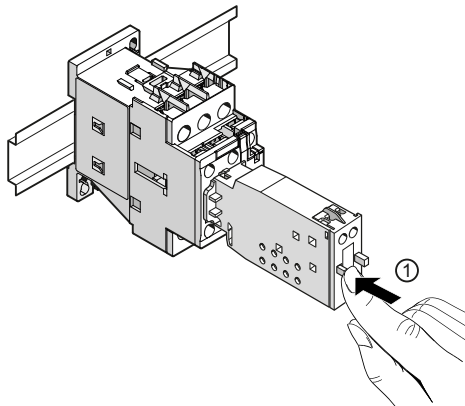
- ②/③ Release the mechanical latch.
- ④ Take the mechanical latch off the contactor.

9.9.3 Operation

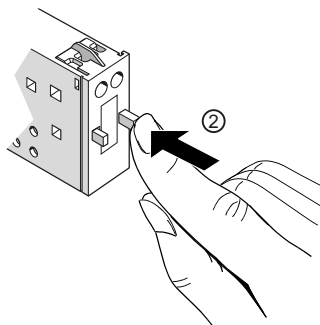
The mechanical latch can be operated with alternating and direct current; it can be activated and deactivated electrically and manually. The illustrations below show how to operate the mechanical latch manually.

Electrical release is achieved by applying the voltage to terminals E1 and E2 of the mechanical latch.

Operating the mechanical latch



- ① To activate the latch, press the left plunger.



- ② To deactivate it, press the right plunger. It can only be unlocked if the contactor coil is not excited.

9.10 Additional load module

9.10.1 Description

The 3RT2916-1GA00 additional load module for size S00 contactors is used to increase the permissible residual current and to limit the residual voltage of SIMATIC semiconductor outputs.

If SIRIUS contactors and SIRIUS contactor relays of size S00 are used in conjunction with SIMATIC output modules whose residual current on signal "0" is higher than that which is permissible for size S00 contactors, this can sometimes result in malfunctions. The maximum permissible residual current of the electronics for size S00 contactors with a 230 V AC drive is 3 mA; at higher residual currents the contactors will not drop out. The additional load module is used to ensure that size S00 contactors which are directly controlled via 230 V AC semiconductor outputs are disconnected safely by programmable logic controllers. The additional load module also performs the function of an overvoltage attenuation circuit.

Technical data

| | |
|-----------------------------|-------------------------------|
| Rated voltage | AC 50/60 Hz 180 V to 255 V |
| Power loss | 2.4 W at 230 V |
| Permissible contactor types | 3RT2.1 (size S00) |

9.11 Control kit for manual operation of contactor contacts

9.10.2 Mounting

The 3RT2916-1GA00 additional load module is connected in parallel with the contactor coil. Its design is identical to that of the surge suppressor and it is attached to the front of the contactor, with or without an auxiliary switch.

Reference

| More information ... | Can be found in the chapter titled ... |
|---|--|
| About mounting the additional load module | Surge suppressor (Page 312) |

9.11 Control kit for manual operation of contactor contacts

9.11.1 Description

The control kit is a tool used for manual operation (closing) of the auxiliary contacts of the 3RT20 power contactors and the main contacts (load-free switching) during commissioning. This way, for example, the auxiliary contact circuit or also a high-voltage test for commissioning can be carried out even without a fully configured control circuit.

The following control kits are available for the different sizes:

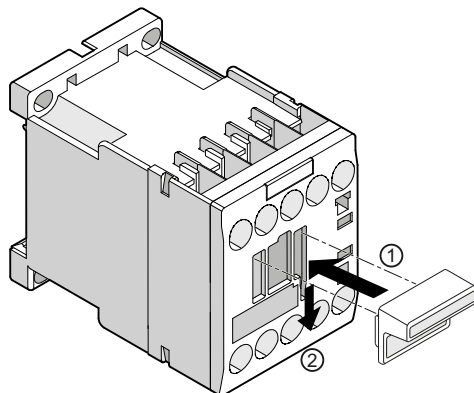
- S00: 3RT2916-4MC00 (color: yellow): Use on front connection point
- S0: 3RT2926-4MC00 (color: orange): Use on front connection point
- S2 / S3 3RT2936-4MC00 (color: yellow): Use in the slot of the surge suppressor

The module is used to check the wiring and the motor direction of rotation under conditions of short-circuit protection. The control kit also enables simple and user-friendly use and support for high-voltage tests according to IEC 60294.

9.11.2 Mounting

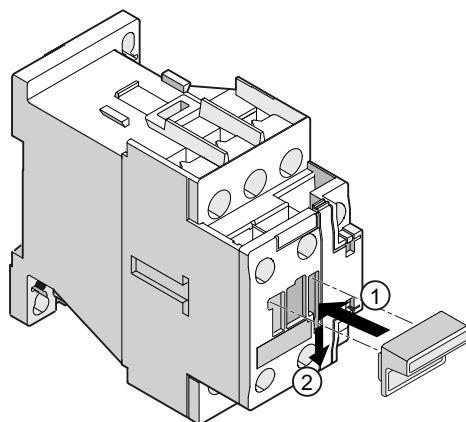
| NOTICE |
|--|
| <p>The contactor and the connected loads can be damaged.</p> <p>Disconnect the contactor from the power supply before you attach or remove the control kit.</p> <p>Only use the control kit for test purposes during commissioning.</p> |

Mounting the control kit on a contactor (S00)



- ① Attach the control kit to the contactor from the front.
- ② Press the control kit down until it engages.

Mounting the control kit on a contactor (S0)



- ① Attach the control kit to the contactor from the front.
- ② Press the control kit down until it engages.

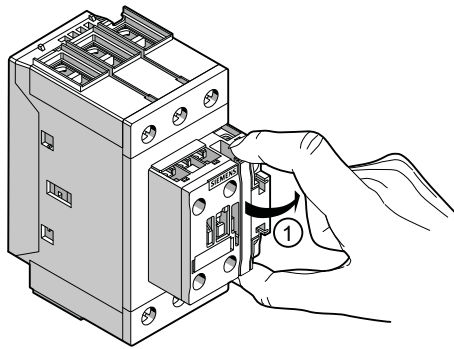
Mounting the control kit on a contactor (S2/S3)

NOTICE**Danger of material damage**

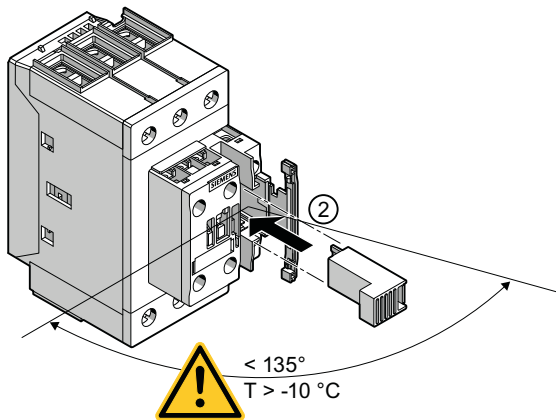
Note the following information when mounting the control kit:

- Temperature when mounting the control kit: > -10 °C
- Maximum opening angle of the cover on the front panel of the contactor: 135°

9.12 Coupling link for PLC



① Open the contactor cover.



② Insert the control kit into the opening until it engages.

9.12 Coupling link for PLC

9.12.1 Description

Thanks to a low control power (< 0.5 W) and an operating range of 17 to 30 V DC, the coupling link enables a size S0 contactor with a 24 V DC operating mechanism to be connected directly to the PLC output. The control voltage for the coupling link and the rated control supply voltage for the contactor are galvanically isolated. An LED indicates the switching state of the coupling link. The coupling link features an integrated surge suppressor (varistor) for the contactor coil being switched.

The coupling link is available in the following versions:

- 3RH2914-.GP11: Can be mounted onto the front on 3RT2 contactors (size S00 to S3); spring-loaded connection or screw-type connection
- 3RH2924-1GP11: Can be mounted from above on 3RT2 contactors (size S0) without increasing the installation depth; screw-type connection; comprises 3RT2926-4RA11 coil terminal module and coupling link

Note

The 3RH2914-1GP11 coupling link is also suitable for front-mounting on 3RH2 contactor relays (size S00).

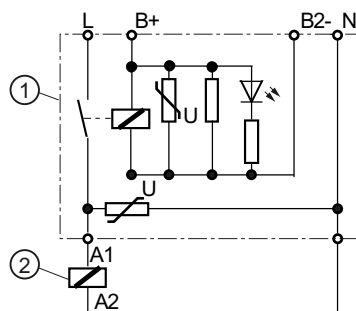
Scope of supply

The following components ship with the 3RH2924-.1GP11 coupling link:

- Coupling link
- 3RT2926-4RA11 coil terminal module with coil terminal from above (screw-type connection system)

The following components ship with the 3RH2914-.GP11 coupling module:

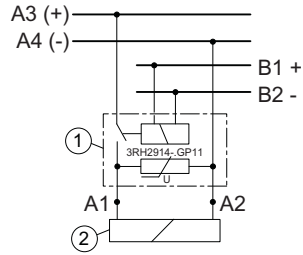
- Coupling link

Circuit diagram**3RH2924-1GP11 coupling link for control from the PLC**

- | | |
|-------------|---|
| 1 | Coupling link |
| 2 | Contactor |
| B1+/B2- | Control voltage 24 V DC |
| L1/N | Rated control supply voltage for the selected contactor |
| Figure 9-16 | Coupling link, circuit diagram (size S0) |

9.12 Coupling link for PLC

3RH2914-GP11 coupling link (screw-type/spring-loaded) for control from the PLC



① Coupling module
 ② Contactor (Q1)
 A3 (+)/A4 (-) U_s (Q1)
 B1 +/B2 - Control voltage 24 V DC
 Figure 9-17 Coupling link, circuit diagram (sizes S00, S0 and S2)

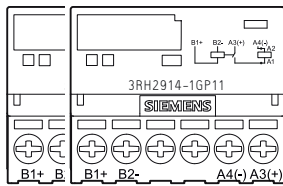


Figure 9-18 Terminals on the 3RH2914-.GP11 . coupling link

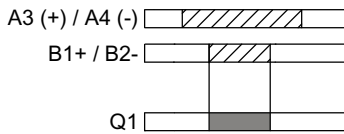


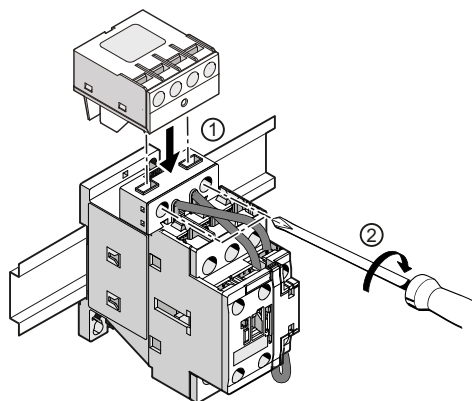
Figure 9-19 Connecting the 3RH2914-.GP11 coupling link

9.12.2 Mounting the 3RH2924-1GP11 coupling link

Prerequisite

The 3RT2926-4R..... coil terminal module must be mounted before you can attach the coupling link.

NOTICE
 Before mounting the coupling link, disconnect the voltage from L1 to L3.

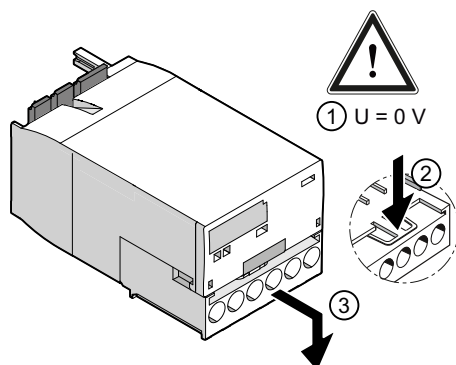


- ① Attach the coupling link to the coil terminal module using the two integrated mounting pins.
- ② Screw the coupling link tight with a screwdriver.

9.12.3 Mounting and disassembling the 3RH2914-.GP11 coupling module

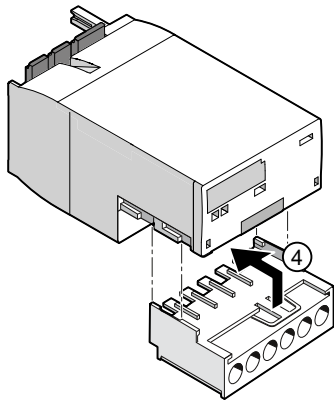
Mounting

Replacing the removable terminal block



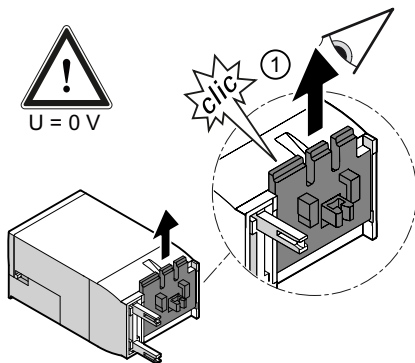
- ① Detach the terminal block:
 - Press the lug of the terminal block downwards.
 - Pull the terminal block out to the front and then downwards.

9.12 Coupling link for PLC

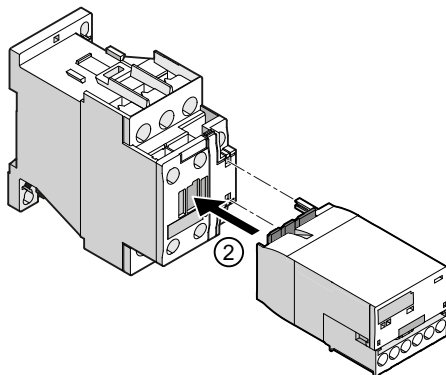


- ② Install the terminal block:
- Plug the terminal block onto the coupling module from below.
 - Slide the terminal block back until the lug engages.

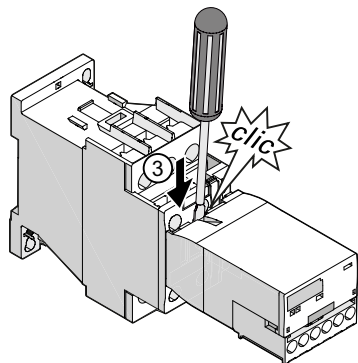
Mounting the 3RH2914-.GP11 coupling module



- ① Pull the rear cover up until it engages.



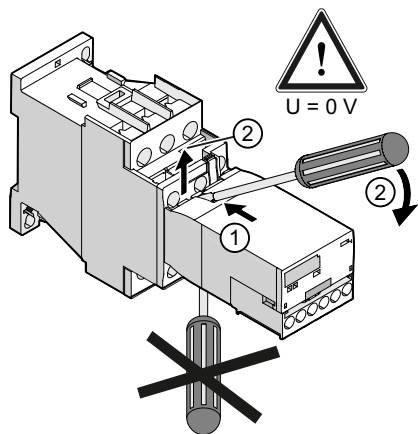
- ② Attach the coupling module to the coil terminal module using the integrated mounting pins at the front.



- ③ Use a screwdriver to press down the cover of the coupling module until it engages.

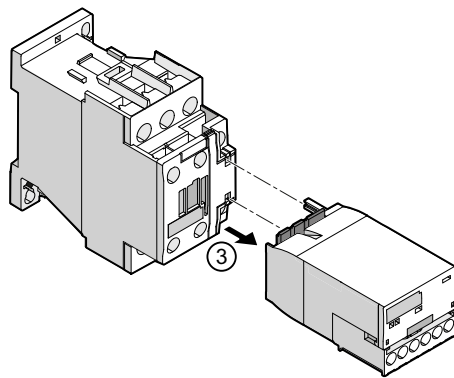
Disassembling

Disassembling using the example of the 3RH2914-.GP11 coupling module



- ① Apply the screwdriver from above.
- ② With the aid of the screwdriver, pull the rear cover plate of the coupling module upwards.

9.13 LED display indicator module



- ③ Pull the coupling module with the integrated mounting pins towards you off the coil terminal module.

9.13 LED display indicator module

9.13.1 Description

The LED display module can be connected to the coil terminals of size S00 to S3 contactors; it indicates the energized state of the contactors via yellow LEDs. In practice the LED display indicator module is primarily used for 3RT2 power contactors in size S0.

Table 9-28 LED display indicator module

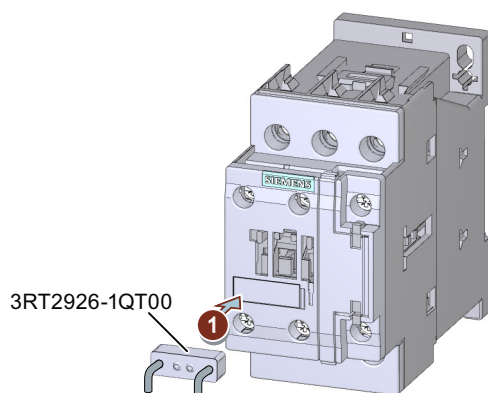
| Size | Article number |
|--------------------|----------------|
| S00 / S0 / S2 / S3 | 3RT2926-1QT00 |

The LED display module can be used for voltages of 24 to 240 V AC/DC. The LEDs are switched on a bidirectional basis to prevent polarity reversal. With AC control both LEDs light up and with DC control just one LED lights up, depending on the polarity.

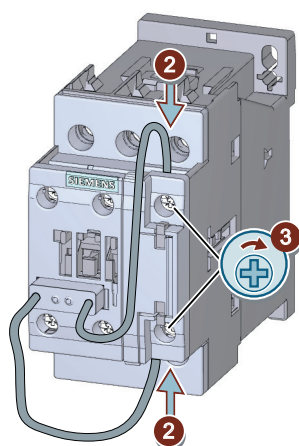
9.13.2 Mounting

Mounting the LED display module with reference to size S0

The LED display module is snapped into the location hole on the front of the contactor in place of the labeling plate.



- ① Snap the LED display indicator module into the corresponding location hole provided on the front of the contactor.



- ② Thread the cables into coil terminals A1 and A2 of the contactor.
- ③ Screw the cables tight with a screwdriver.

Note

For size S2 / S3, mount the LED display indicator module in the same way.

9.14 Solder pin adapter

9.14.1 Description

The solder pin adapter can be used to solder standard contactors in size S00 up to 5.5 kW/12 A onto PCBs.

Table 9-29 Versions of the solder pin connection

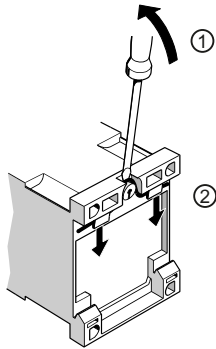
| Version of the solder pin connection | Article number |
|--------------------------------------|----------------|
| Without auxiliary switch | 3RT1916-4KA1 |
| With auxiliary switch | 3RT1916-4KA2 |

Solder pin connection can be used:

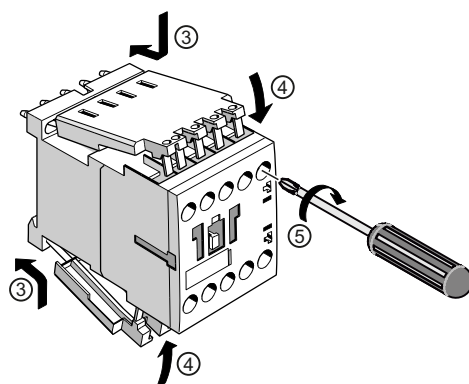
- For motor contactors and contactor relays in size S00.
- For contactors in size S00 with an attached 4-pole auxiliary switch.
- For the reversing wiring of S00 contactors; in this case, the reversing wiring must be carried out before the contactors are soldered onto the PCB.

9.14.2 Mounting

Mounting on a contactor of size S00

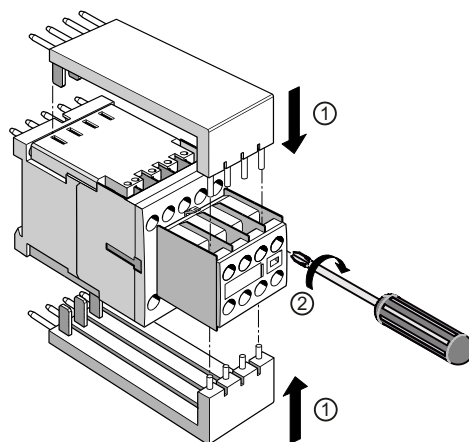


- ① Position the screwdriver on the contactor as shown in the figure.
- ② Press the screwdriver to the rear to release the spring for standard rail mounting.



- ③ Insert the solder pin connections into the screw connections at the top and bottom of the contactor.
- ④ Fold the solder pin adapters onto the contactor.
- ⑤ Screw the adapters tight with a screwdriver.

Mounting on a contactor of size S00 with an attached 4-pole auxiliary switch



- ① Insert the solder pin connections into the openings provided at the top and bottom of the contactor until they engage.
- ② Screw the solder pin adapters tight with a screwdriver.

9.15 Coil terminal module

9.15.1 Description

The 3RT2926-4R. coil terminal module for mounting on 3RT20 power contactors in size S0 serves as an adapter for the coil and ensures the coil wiring is correct for 3RT102 contactors (e.g. for retrofitting a 3RT10 device).

9.15 Coil terminal module

The following versions of the coil terminal module are available (only screw connection available for sizes S2 / S3).

Table 9-30 Versions of the coil terminal module

| Connection system | Design of the coil terminal module | Article number |
|--|------------------------------------|----------------|
| Screw connection | Coil terminal from above | 3RT2926-4RA11 |
| | Coil terminal from below | 3RT2926-4RB11 |
| | Coil terminal diagonal | 3RT2926-4RC11 |
| Spring-loaded connection ¹⁾ | Coil terminal from above | 3RT2926-4RA12 |
| | Coil terminal from below | 3RT2926-4RB12 |

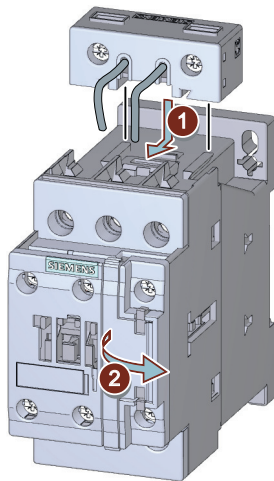
¹⁾ For size S0 only.

9.15.2 Mounting

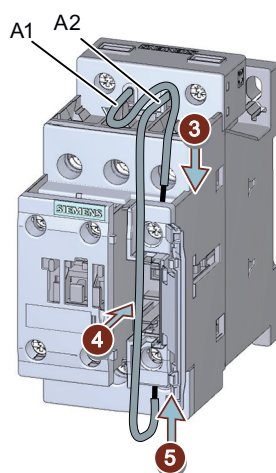
Mounting the coil connection module using the example of size S0 contactors

Below is an example of how to mount the 3RT2926-4RA11 coil terminal module (coil terminal from above) onto a 3RT2 power contactor of size S0.

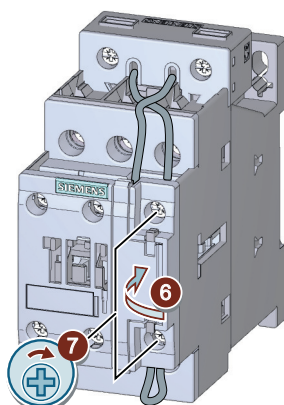
Sizes S2 / S3 are mounted in the same way.



- ① Attach the coil terminal module onto the contactor from above until it engages.
- ② Open the cover on the front panel of the contactor.



- ③ Thread the cables from above into coil terminal A1 of the contactor.
- ④ Insert the cable into the cable channel.
- ⑤ Thread the cables from below into coil terminal A2 of the contactor.



- ⑥ Close the cover on the front panel of the contactor.
- ⑦ Screw the cables tight with a screwdriver.

9.16 Cover for ring cable lug

9.16.1 Description

For the version with a ring cable lug connection system the SIRIUS modular system features attachable cover caps for ensuring touch protection (finger safety) according to IEC 61140. Both line-side and output-side covers are available.

Table 9-31 Versions of the cover for the ring cable lug

| Size | Article number |
|------|----------------|
| S00 | 3RT2916-4EA13 |
| S0 | 3RT2926-4EB13 |

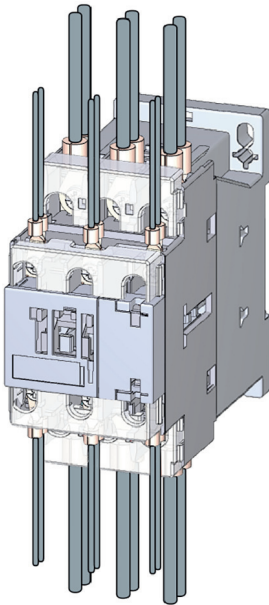


Figure 9-20 3RT2 power contactor with ring cable lug cover (size S0)

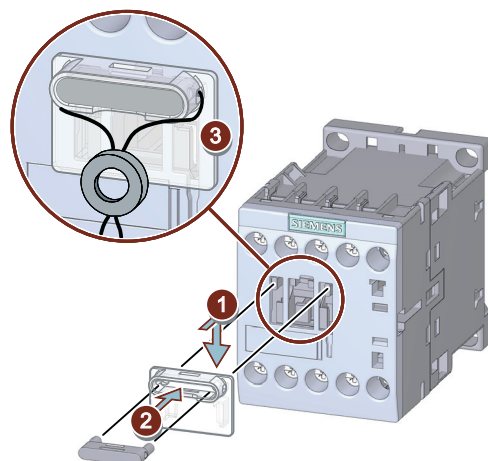
9.17 Sealable cover

9.17.1 Description

When contactors and contactor relays are used in safety-oriented applications, it must be ensured that the contactors cannot be operated manually. A sealable cover 3RT1926-4MA10 (sizes S6 to S12) and 3RT2916-4MA10 (sizes S00 to S3) that prevents unintentional manual operation of the contactors is available as an accessory for this application. It is a transparent molded-plastic cap with a clip that enables the contactor to be sealed.

9.17.2 Mounting

Mounting the sealable cover on the size S00 contactor



- ① Attach the loose molded-plastic cap into the location hole on the contactor.
- ② Insert the clip into the molded-plastic cap.
- ③ Use a seal to secure the clip so that the molded-plastic cap cannot be removed.

Note

Proceed in the same way to mount the sealable cover on contactors of sizes S0 to S12.

9.18 3-phase infeed terminal

9.18.1 Description

The 3-phase infeed terminal is used for infeed in the case of large conductor cross-sections. The terminal is available for mounting on 3RT20 power contactors in sizes S00, S0 and S2 with screw-type connection systems.

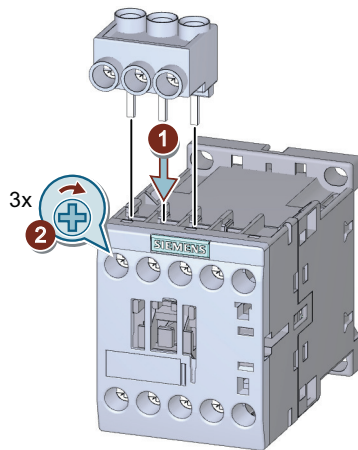
Table 9-32 Versions of the 3-phase infeed terminal

| Size | Article number |
|------|--|
| S00 | 3RA2913-3K |
| S0 | 3RV2925-5AB |
| S2 | 3RV2935-5A |
| S2 | 3RV2935-5E Terminal for increased clearances and creepage distances |

9.19 1-phase infeed terminal

9.18.2 Mounting

Mounting the 3-phase infeed terminal (size S00)



- ① Insert the pins of the 3-phase infeed terminal into the contactor's terminal openings from above until they are securely in position.
- ② Screw the 3-phase infeed terminal tight with a screwdriver.

Note

Proceed in the same way to mount the 3-phase infeed terminal on 3RT20 contactors of size S0. With capacitor contactors, size S0 and S2 3-phase infeed terminals can be supplemented for connecting larger conductors.

9.19 1-phase infeed terminal

9.19.1 Description

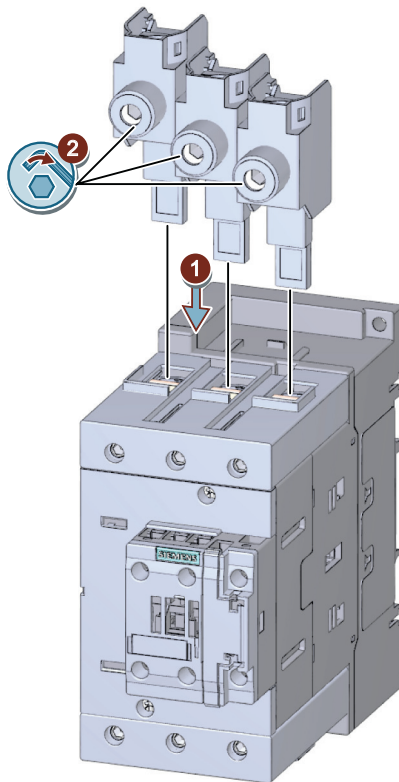
The 1-phase infeed terminal is used for infeed in the case of large conductor cross-sections. You require three 1-phase infeed terminals. The terminal is available for mounting on 3RT20 power contactors in size S3 with screw-type connection.

Table 9-33 Versions of the 1-phase infeed terminal

| Size | Article number |
|------|----------------|
| S3 | 3RA2943-3L |

9.19.2 Mounting

Mounting the 1-phase infeed terminal (size S3)



- ① Insert the pins of the 1-phase infeed terminal into the contactor's terminal openings from above until they are securely in position.
- ② Screw the 1-phase infeed terminal tight with a screwdriver.

9.20 Parallel switching connectors

9.20.1 Description

The parallel connection is used for parallel infeed of an L1 cable on L1 - L3. The parallel connectors (insulated) can be reduced by one pole.

9.20 Parallel switching connectors

The following versions of parallel switching connections are available:

Table 9-34 Versions of the parallel switching connectors

| Size | Design of the parallel switching connector | Connection system | Article number |
|-----------|--|--------------------------|----------------|
| S00 | 3-pole, without connection terminal | Screw connection | 3RT1916-4BA31 |
| | | Spring-loaded connection | 3RT2916-4BA32 |
| | 3-pole, with connection terminal | Screw connection | 3RT1916-4BB31 |
| | 4-pole, with connection terminal | Screw connection | 3RT1916-4BB41 |
| S0 | 3-pole, without connection terminal | Screw connection | 3RT1926-4BA31 |
| | | Spring-loaded connection | 3RT2926-4BA32 |
| | 3-pole, with connection terminal | Screw connection | 3RT2926-4BB31 |
| S2 | 3-pole, with connection terminal | Screw connection | 3RT1936-4BB31 |
| S3 | 3-pole, without terminal | Screw connection | 3RT1946-4BB31 |
| S6 | 3-pole, without terminal, with through hole for contactors | Screw connection | 3RT1956-4BA31 |
| S10 / S12 | 3-pole, without terminal, with through hole for contactors | Screw connection | 3RT1966-4BA31 |

9.20.2 Configuration

If the current paths of multi-pole switching devices are connected in parallel, the total current is distributed across the individual current paths in accordance with their ohmic resistance and their inductive interactions. The ohmic resistance is primarily generated by the contact resistance at the contacts, the value of which can vary as a result of erosion and oxidation. This means that the current distribution is neither even nor stable: Individual current paths may be overloaded and the overload releases or relays will trip too early (tripping error).

Permanent load with parallel connection

Provided that the relevant catalogs do not contain any information to the contrary, the following applies for a permanent load with parallel connection:

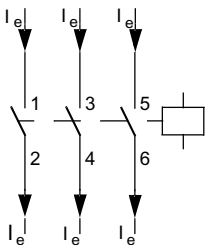
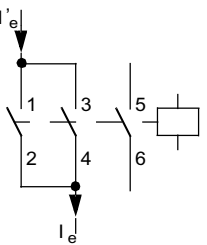
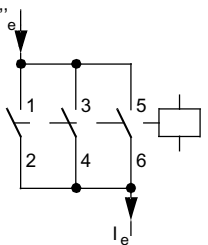
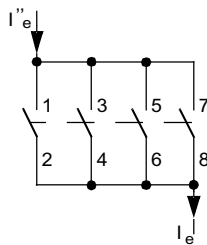
- If three current paths are connected in parallel, 2.5 times the continuous current can be conducted; if two current paths are connected in parallel, 1.8 times the continuous current can be conducted. However, it should be noted that the making and breaking capacities do not increase, since the contacts do not close and open simultaneously, so the contacts of one current path have to switch the entire inrush or breaking current.
- The cables should be routed such that the same cable lengths are used for each current path.
- If a short-circuit current arises, it is divided up in accordance with the ratio of the current path resistances.

Notice: The operating current of electromagnetic instantaneous short-circuit releases cannot be reached in such cases.

Making capacity/breaking capacity

The table below specifies the magnitude of a contactor's making and breaking capacities, in relation to the load currents for two or three current paths connected in parallel:

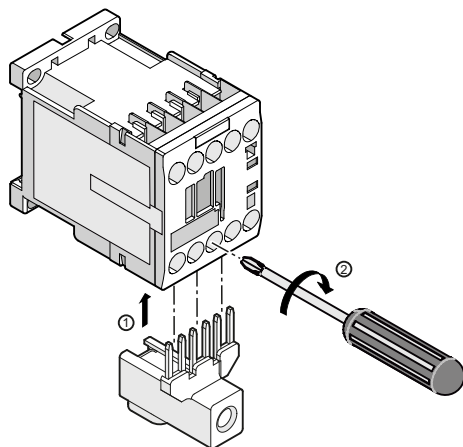
Table 9-35 Parallel switching connections: Making capacity/breaking capacity

| | 3-pole switching | 2 current paths in parallel | 3 current paths in parallel | 4 current paths in parallel |
|-------------------|---|---|--|---|
| |  |  |  |  |
| Making capacity | 12 x I _e (utilization category AC-4) | $\frac{12 \cdot I'_e}{1.8} = 6.67 \cdot I'_e$ | $\frac{12 \cdot I''_e}{2.5} = 4.8 \cdot I''_e$ | $\frac{12 \cdot I''_e}{3.1} = 3.9 \cdot I''_e$ |
| Breaking capacity | 10 x I _e (utilization category AC-4) | $\frac{10 \cdot I'_e}{1.8} = 5.55 \cdot I'_e$ | $\frac{10 \cdot I''_e}{2.5} = 4.0 \cdot I''_e$ | $\frac{10 \cdot I''_e}{3.1} = 3.2 \cdot I''_e$ |

9.20.3 Mounting

The parallel connectors of size S00 and S3 can all be reduced by one pole. The illustration below shows an example of how to mount the 3-pole parallel switching connector with connection terminal to a contactor of size S00.

Mounting the 3-pole parallel switching connector with connection terminals



- ① Insert the pins of the parallel switching connector into the contactor's terminal openings from below until they are securely in position.
- ② Screw the parallel switching connector tight with a screwdriver.

9.21 Link module for two contactors in series

9.21.1 Description

The link module for 2 contactors in series is a module used to connect two contactors in series. It is used in Safety applications, for example, where two switching points located in series are required.

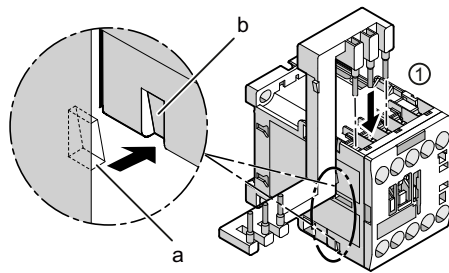
The link module for 2 contactors in series is available in the following versions.

Table 9-36 Versions of the link module

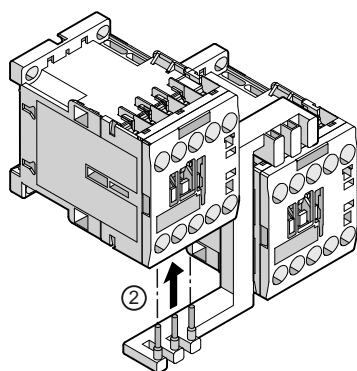
| Size | Article number |
|------|----------------|
| S00 | 3RA2916-1A |
| S0 | 3RA2926-1A |
| S2 | 3RA2936-1A |

9.21.2 Mounting

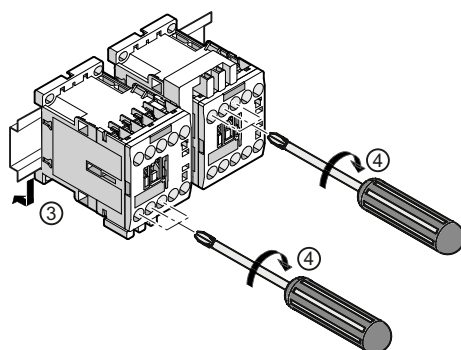
Mounting the link module for 2 contactors in series (size S00)



- ① Insert the pins of the link module into the contactor's terminal openings from above until they are securely in position. Make sure that the wedge (a) engages in the groove (b) provided on the contactor for this purpose.



- ② Attach the contactor onto the link module's pins from above.



- ③ Position the contactors connected in series via the link module on the top edge of the DIN rail and press them down until they snap onto the bottom edge of the DIN rail.
- ④ Screw the link module tight on both contactors with a screwdriver.

Note

The procedure is the same for size S0 and S2 contactors.

9.22 Link module for motor starter protector

9.22.1 Description

Link module for motor starter protector - contactor

Link modules can be used to quickly and reliably mount a motor starter protector onto the contactor. In this case, the link modules serve to establish an electrical and mechanical connection between the motor starter protector and the contactor.

Table 9-37 Versions of the link module for motor starter protector - contactor

| Connection system | Version of the link module | Article number |
|-------------------|---|----------------|
| Screw-type | Motor starter protector – contactor in size S00 | 3RA1921-1DA00 |
| | Motor starter protector – contactor in size S0 AC | 3RA2921-1AA00 |
| | Motor starter protector – contactor in size S0 DC | 3RA2921-1BA00 |
| | Motor starter protector – contactor in size S2 | 3RA2931-1AA00 |
| | Motor starter protector – contactor in size S3 | 3RA1941-1AA00 |
| Spring-loaded | Motor starter protector – contactor in size S00 | 3RA2911-2AA00 |
| | Motor starter protector – contactor in size S0 | 3RA2921-2AA00 |

Reference

| More information ... | Can be found in the appendix ... |
|--|---|
| About link modules | "List of references" under "Manuals - SIRIUS Modular System (Page 496)" in the "SIRIUS - SIRIUS 3RA load feeders" manual. |
| About mounting contactors and motor starter protectors | |

9.23 Pneumatic delay block 3RT2926-2P..1

9.23.1 Description

In terms of its function, the pneumatic delay block is comparable with solid-state time-delayed auxiliary switches. It is available for 3RT2.2 (size S0) power contactors in the following versions.

Table 9-38 Versions of the pneumatic delay block

| Version | Adjustable time range | Article number | Circuit diagrams |
|----------------|-----------------------|----------------|------------------|
| ON-delay | 0.1 to 30 s | 3RT2926-2PA01 | |
| | 1 to 60 s | 3RT2926-2PA11 | |
| With OFF-delay | 0.1 to 30 s | 3RT2926-2PR01 | |
| | 1 to 60 s | 3RT2926-2PR11 | |

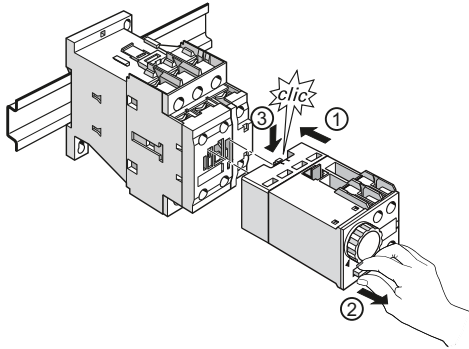
The pneumatic delay block is used if electronic components are not desirable or in the absence of a control supply voltage.

Note

The pneumatic delay block 3RT2926-2P. cannot be mounted on contactor relays (size S0).

9.23.2 Mounting/Disassembly

Mounting of the pneumatic delay block

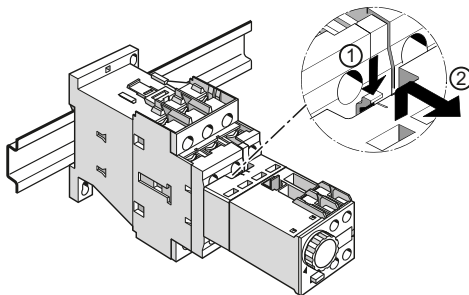


- ① Push the pneumatic delay block, which is attached on the front, into the location hole on the contactor.
- ② Pull the plunger out.
- ③ Pull the pneumatic delay block down until it engages.

Note

The pneumatic delay block is attached on the front of the contactors and its auxiliary contacts take the form of 1 NO contact and 1 NC contact. If the pneumatic delay block is mounted on a contactor, no other auxiliary contacts are permitted.

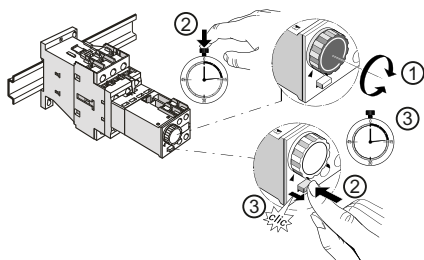
Disassembly of the pneumatic delay block



- ① Press down the release lever on the pneumatic delay block.
- ② Pull the pneumatic delay block toward you and remove it from the contactor.

9.23.3 Operation

Operating the pneumatic delay block 3RT2926-2P..1



- ① Set the required time range.
- ② Press the plunger to start the pneumatic delay block.
- ③ Once the set time has elapsed, the plunger will snap back out.

9.24 Pneumatic delay block 3RT2927-2P..1

9.24.1 Description

In terms of its function, the pneumatic delay block is comparable with solid-state time-delayed auxiliary switches. It is available for 3RT2.2 (size S0) power contactors in the following versions.

Table 9-39 Versions of the pneumatic delay block

| Version | Adjustable time range | Article number | Circuit diagrams |
|----------------|-----------------------|----------------|------------------|
| ON-delay | 1.0 ... 30 s | 3RT2927-2PA01 | |
| | 10 ... 180 s | 3RT2927-2PA11 | |
| With OFF-delay | 1.0 ... 30 s | 3RT2927-2PR01 | |
| | 10 ... 180 s | 3RT2927-2PR11 | |

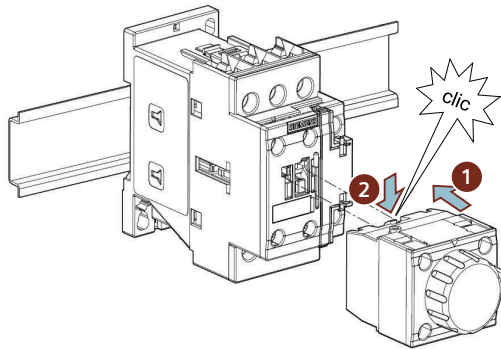
The pneumatic delay block is used if electronic components are not desirable or in the absence of a control supply voltage.

Note

The pneumatic delay block 3RT2927-2P. cannot be mounted on contactor relays (size S0).

9.24.2 Mounting/Disassembly

Mounting of the pneumatic delay block

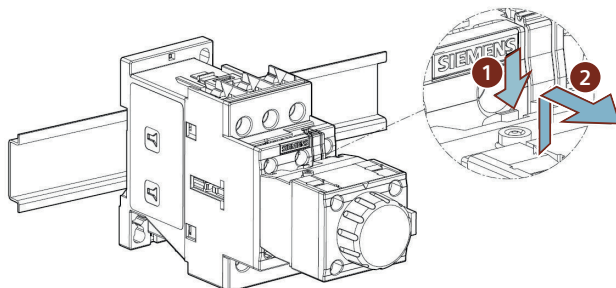


- ① Push the pneumatic delay block, which is attached on the front, into the location hole on the contactor.
- ② Pull the pneumatic delay block down until it engages.

Note

The pneumatic delay block is attached on the front of the contactors and its auxiliary contacts take the form of 1 NO contact and 1 NC contact. If the pneumatic delay block is mounted on a contactor, no other auxiliary contacts are permitted.

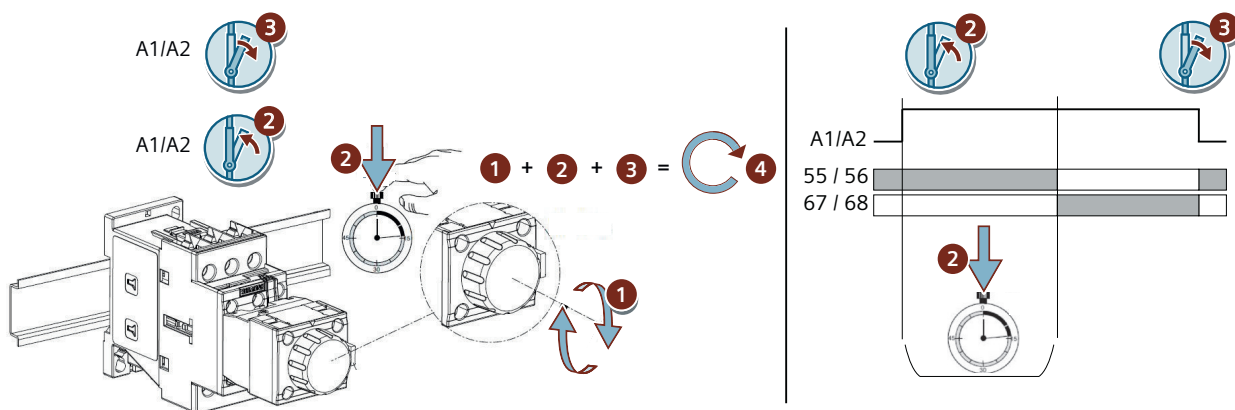
Disassembly of the pneumatic delay block



- ① Press down the release lever on the pneumatic delay block.
- ② Pull the pneumatic delay block toward you and remove it from the contactor.

9.24.3 Operation

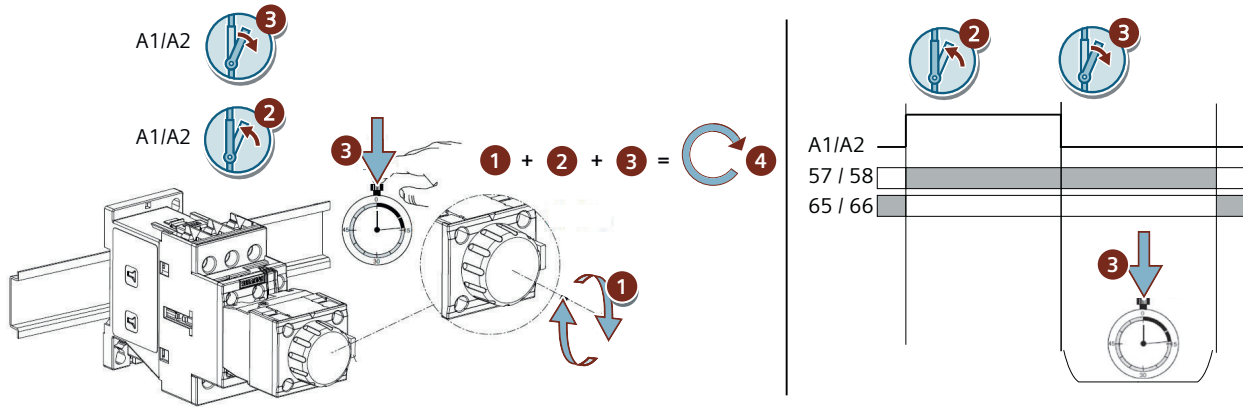
9.24.3.1 Operating the pneumatic delay block 3RT2927-2PA.1



- ① Turn the rotary knob clockwise to any position.
- ② Connect the contactor (A1/A2) to the voltage supply and stop the set delay time.
- ③ Disconnect the power supply on the contactor (A1/A2).
- ④ To set the desired delay time, repeat steps 1 to 3.

9.25 Insulating stop

9.24.3.2 Operating the pneumatic delay block 3RT2927-2PR.1



- ① Turn the rotary knob clockwise to any position.
- ② Connect the contactor (A1/A2) monitor to the voltage supply.
- ③ Disconnect the power supply on the contactor (A1/A2) and stop the set delay time.
- ④ To set the desired delay time, repeat steps 1 to 3.

9.25 Insulating stop

9.25.1 Description

The insulating stop is available in the following versions.

Table 9-40 Versions of the insulating stop

| Size | Article number | Can be used for |
|--------------|----------------|---|
| S00 | 3RT2916-4JA02 | Basic units 3RT2.1 and 3RH21 |
| S0 / S2 / S3 | 3RT1916-4JA02 | <ul style="list-style-type: none"> • Terminals for the auxiliary circuit and the control circuit of the 3RT2.2 / 3RT2.3 / 3RT2.4 basic unit • Auxiliary switches which can be mounted on the front and side |

The insulating stop is for contactors with spring-loaded connections. In the case of conductors with a small conductor cross-section ($\leq 1\text{mm}^2$), it ensures that the conductor insulation is not clamped with the rest of the cable. An insulating stop unit comprises 5 pairs of terminals which can be separated. The diagram below illustrates an example of how the 3RT2916-4JA02 insulating stop can be used on a size S00 basic device.

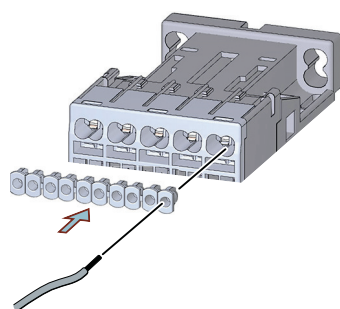


Figure 9-21 Insulating stop on spring-loaded connection

9.26 Terminal module for contactors with screw connections

9.26.1 Description

The terminal module for contactors with screw connections is available in the following versions.

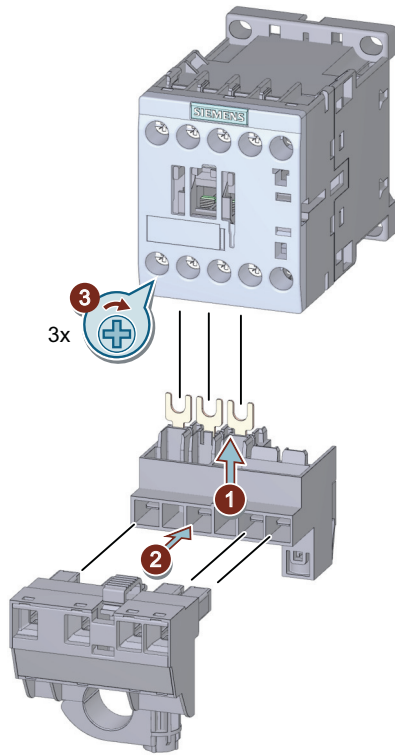
Table 9-41 Versions of the terminal module for contactors with screw connections

| Size | Article number | Version |
|------------|----------------|-----------------------|
| S00 and S0 | 3RT1900-4RE01 | Plug for contactor |
| S00 | 3RT1916-4RD01 | Adapter for contactor |
| S0 | 3RT1926-4RD01 | Adapter for contactor |

The terminal module can be used to connect contactors with screw connections in size S00 or S0 to a motor.

9.26.2 Mounting

Mounting the terminal module for contactors with screw connections



- ① Plug the adapter pin into the contactor from below.
- ② Insert the plug into the openings on the adapter from the front, until it engages.
- ③ Screw the terminal module tight with a screwdriver.

Note

Proceed in the same way to mount the terminal module on size S0 contactors.

Note

Replace the contactor and the adapter together when end of service life is reached.

9.27 3RA27 function modules for connection to the automation level (AS-Interface or IO-Link)

9.27.1 Description

Special SIRIUS 3RT2 contactor versions with voltage tapping (3RT2...-...-0CC0) are required to simply connect SIRIUS switching devices to the controller level (PLC) using 3RA27 function modules.

The function modules enable connection to the AS-Interface or IO-Link communication solutions.

The function modules are available for the following contactors and contactor assemblies.

Table 9-42 Overview - 3RA27 function modules

| | AS-Interface | IO-Link |
|------------------------------|-----------------|-----------------|
| Direct-on-line start | 3RA2712- . AA00 | 3RA2711- . AA00 |
| Reversing start | 3RA2712- . BA00 | 3RA2711- . BA00 |
| Star-delta (wye-delta) start | 3RA2712- . CA00 | 3RA2711- . CA00 |

Note

Sizes S00 to S3

Sizes S00 to S3 use the same function modules.

Reference

| More information ... | Can be found in the manuals ... |
|---|---|
| About the 3RA27 function modules for connection to the automation level | <ul style="list-style-type: none"> "Function Modules for AS-Interface" (http://support.automation.siemens.com/WW/view/en/39318922) (3ZX1012-ORA27-0AC0) "Function Modules for IO-Link" (http://support.automation.siemens.com/WW/view/en/39319600) (3ZX1012-ORA27-1AC1) |

9.28 3RA28 function modules for mounting on 3RT2 contactors

9.28.1 Description

The SIRIUS modular system features 3RA28 function modules for the delayed switching of contactors and auxiliary switches (e.g. for switching from star operation to delta operation).

9.29 Assembly kit for reversing contactor assemblies (sizes S00 to S3)

3RA28 function modules are available with screw-type or spring-loaded connections in the following versions:

- Solid-state time-delay auxiliary switches 3RA281.-..W10
With ON-delay or OFF-delay, without auxiliary voltage
- Electronic timing relay with semiconductor output 3RA2811-.CW10 and 3RA2812-.DW10
With ON-delay or OFF-delay, with auxiliary voltage
- Star-delta (wye-delta) function module 3RA2816-0EW20
Complete module kit for star-delta (wye-delta) start

Note

When using the 3RA2816-0EW20 function module for star-delta (wye-delta) start, the following exception applies:

No more than one 3RH29 lateral auxiliary switch (product version E03 and higher) may be mounted onto the line contactor (Q11) and onto the star (wye) contactor (Q12).

Reference

| More information ... | Can be found in the appendix ... |
|--|---|
| About the different versions of the 3RA28 function modules | "List of references" under "Manuals - SIRIUS Modular System (Page 496)" in the manual "SIRIUS - SIRIUS 3RA28 function modules for mounting on 3RT2 contactors". |
| About mounting 3RA28 function modules on 3RT2 contactors | |

9.29 Assembly kit for reversing contactor assemblies (sizes S00 to S3)

9.29.1 Description

Users can mount the 3RA23 reversing contactor assembly using various assembly kits for screw and spring-loaded connections.

Note

The 3RT201. / 3RT202. / 3RT203. / 3RT204. power contactors required for installing the 3RA23 reversing contactor assembly in sizes S00 to S3 have to be ordered separately.

Assembly kit for 3RA23 reversing contactor assembly

The following components are included in delivery with the assembly kit for 3RA23 reversing contactor assembly:

- Sizes S00 / S0
 - Mechanical interlock
 - 2 connecting clips for 2 contactors
 - Wiring modules, top and bottom
 - Auxiliary wiring module top and bottom
- Sizes S2 / S3
 - 2 connecting pins
 - Wiring modules, top and bottom
 - Auxiliary wiring modules top and bottom with screw connection only
 - 3 cables with spring-loaded connection

Note

The mechanical interlock for sizes S2 / S3 must be ordered separately as an accessory.

Table 9-43 Versions of the assembly kit for 3RA23 reversing contactor assembly

| Connection system | Size | Article number |
|--|------|----------------|
| Screw connection | S00 | 3RA2913-2AA1 |
| | S0 | 3RA2923-2AA1 |
| | S2 | 3RA2933-2AA1 |
| | S3 | 3RA2943-2AA1 |
| Spring-loaded connection ¹⁾ | S00 | 3RA2913-2AA2 |
| | S0 | 3RA2923-2AA2 |
| | S2 | 3RA2933-2AA2 |
| | S3 | 3RA2943-2AA2 |

¹⁾ For size S2, spring-loaded connection is only available in the control circuit.

Electrical interlock

The assembly kit for contactors (size S00 to S3) with screw-type connections contains wiring modules for connecting the main and control current paths.

The assembly kit for contactors (size S00) with screw-type connections contains wiring modules for connecting the main and control current paths.

For contactors (size S0) with spring-loaded connections the kit only contains wiring modules for connecting the main circuit. If the control circuit wiring (electrical interlock) is also required, the auxiliary switches must be wired separately as necessary. The procedure is described in the chapter titled Mounting (Page 372).

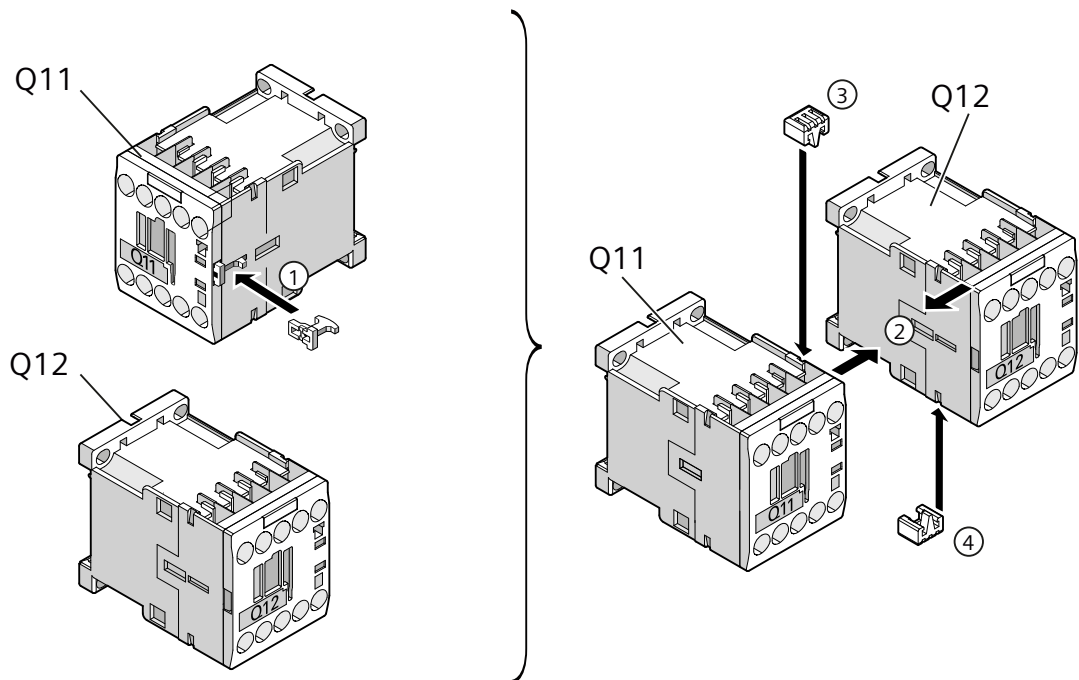
9.29.2 Mounting size S00

The reversing contactor assemblies can be built from contactors with screw connections or spring-loaded connections:

- Standard contactor (Q 11) for direction of rotation 1 (clockwise rotation): Left
- Standard contactor (Q 12) for direction of rotation 2 (counterclockwise rotation): Right

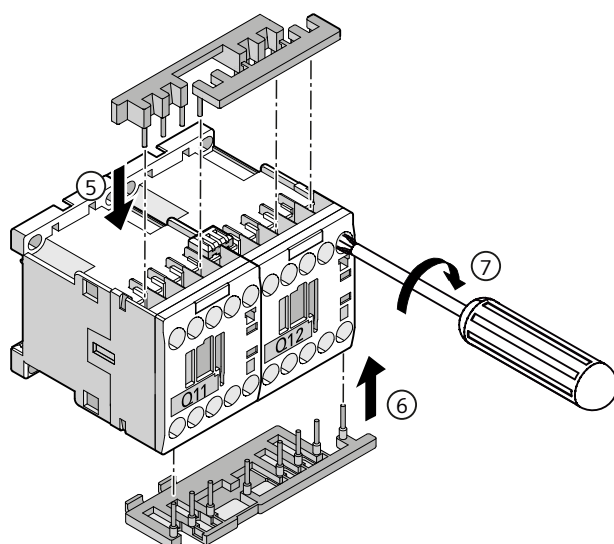
The illustration below shows example procedures for assembling the reversing contactor assembly 3RA23 size S00 with screw-type connection. The operating instructions show how to assemble the contactors using the mechanical interlock and the connecting clips.

Assembling the reversing contactor assembly with screw-type connection - size S00



- ① Insert the mechanical interlock into the opening on the right-hand side of contactor Q11.
- ② Connect contactors Q11 and Q12 together.
- ③ Place the connection clip on the connected contactors from above.
- ④ Place the connection clip on the connected contactors from below.

9.29 Assembly kit for reversing contactor assemblies (sizes S00 to S3)



- ⑤ Attach the wiring modules for connecting the main and control current paths to the contactors from above.
- ⑥ Attach the wiring modules for connecting the main current paths to the contactors from below.
- ⑦ Screw the wiring modules tight with a screwdriver.

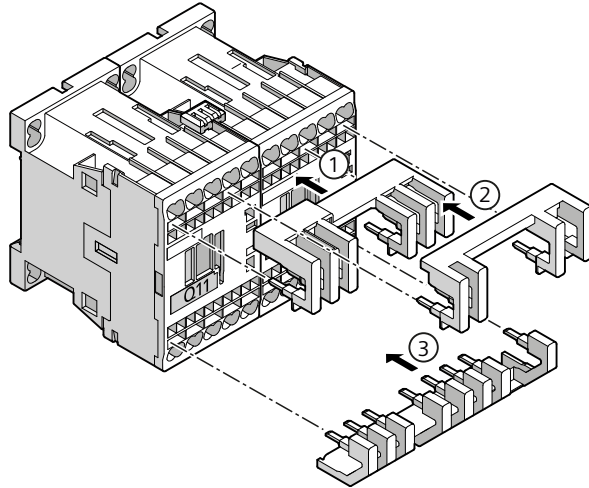
Electrical interlock

Note

Contactors with one NC contact in the basic device (3RT201.) are required for the electrical interlock.

Assembling the reversing contactor assembly with spring-loaded connection - size S00

The mechanical interlock and the connecting clips are mounted in the same way as described for size S00 with screw-type connection.



- ① Attach the wiring modules for connecting the main current paths to the contactors from above.
- ② Attach the wiring modules for connecting the control current paths to the contactors from above.
- ③ Attach the wiring modules for connecting the main current paths to the contactors from below.

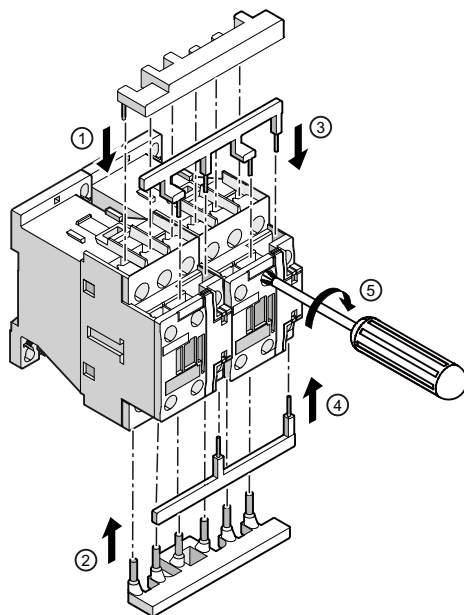
9.29.3 Mounting size S0

The reversing contactor assemblies can be built from contactors with screw connections or spring-loaded connections:

- Standard contactor (Q 11) for direction of rotation 1 (clockwise rotation): Left
- Standard contactor (Q 12) for direction of rotation 2 (counterclockwise rotation): Right

Assembling the reversing contactor assembly with screw-type connection - size S0

The illustrations below show the components of the assembly kit for the reversing contactor assembly in size S0, and they explain the assembly procedure. The mechanical interlock and the connecting clips are mounted in the same way as described for size S00 with screw-type connection. See the chapter "Mounting S00 (Page 372)" in this regard.



- ① Attach the wiring modules for connecting the main current paths to the contactors from above.
- ② Attach the wiring modules for connecting the main current paths to the contactors from below.
- ③ Attach the wiring modules for connecting the control current paths to the contactors from above.
- ④ Attach the wiring modules for connecting the control current paths to the contactors from below.
- ⑤ Screw the wiring modules tight with a screwdriver.

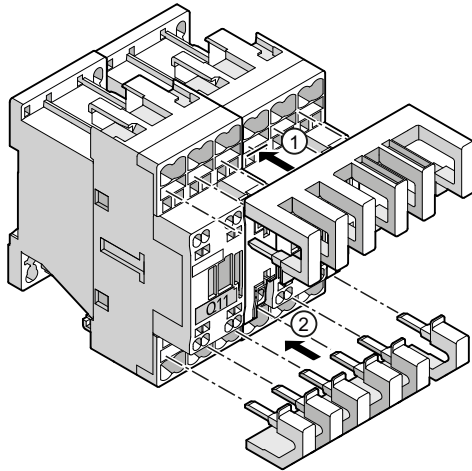
Electrical interlock

Note

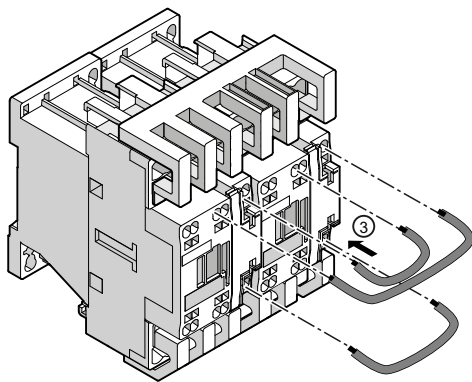
Contactors with one NC contact in the basic device (3RT201.) are required for the electrical interlock.

Assembling the reversing contactor assembly with spring-loaded connection - size S0

The illustrations below show the components of the assembly kit for the reversing contactor assembly in size S0 and explain the assembly procedure. The mechanical interlock and the connecting clips are mounted in the same way as described for size S00 with screw-type connection. See the chapter "Mounting S00 (Page 372)" in this regard.



- ① Attach the wiring modules for connecting the main current paths to the contactors from above.
- ② Attach the wiring modules for connecting the main current paths to the contactors from below.



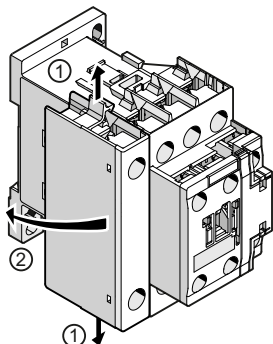
- ③ To connect the control current paths, strip the conductors and push them into the contactor terminals.

Note:

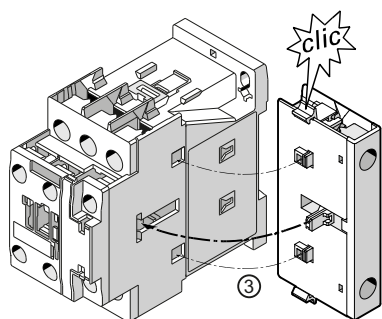
The conductors required for connecting the control current paths are not included in the scope of supply of the assembly kit for reversing contactor assemblies with spring-loaded connection (size S0).

4-pole assembly with mechanical interlock

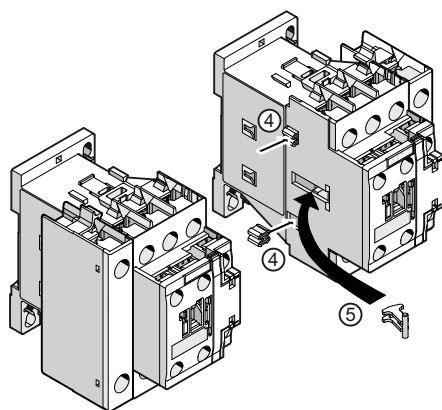
The illustrations below show how to mount the 4-pole assembly with mechanical interlock in size S0.



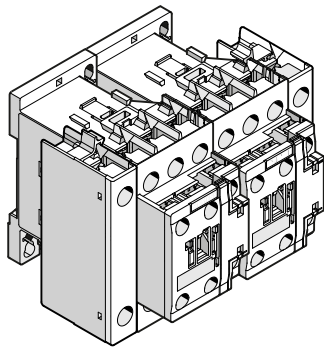
- ①/② Remove the 4th pole from one of the two contactors by releasing the snap hooks.



- ③ Attach the 4th pole to the other side of the same contactor by hooking it into the openings on the contactor and snapping the pole to the contactor.



- ④ Insert the connecting clips into the openings on contactor Q12.
 ⑤ Secure the mechanical interlock on the left-hand side of contactor Q12.



- ⑥ Connect contactors Q11 and Q12 together.

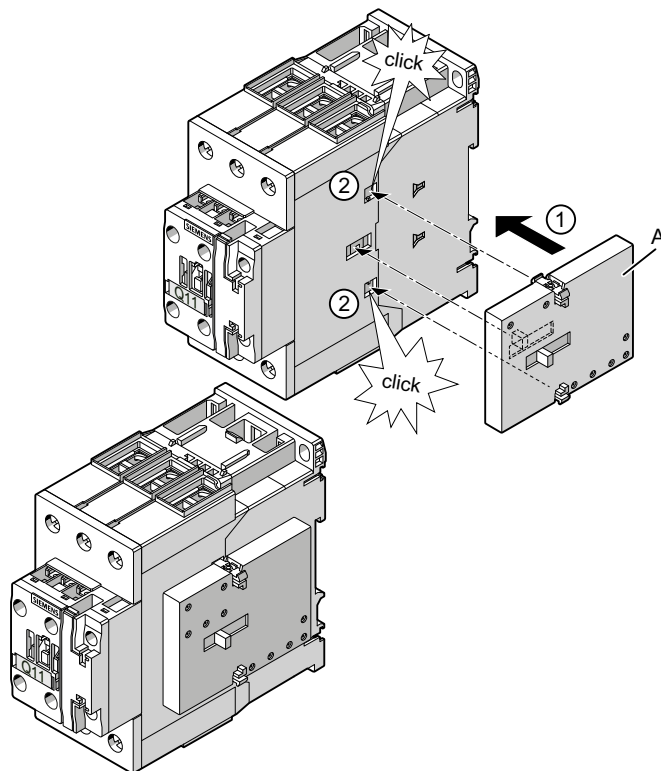
9.29.4 Mounting size S2

The reversing contactor assemblies can be built from contactors with screw connections or spring-loaded connections:

- Standard contactor (Q 11) for direction of rotation 1 (clockwise rotation): Left
- Standard contactor (Q 12) for direction of rotation 2 (counterclockwise rotation): Right

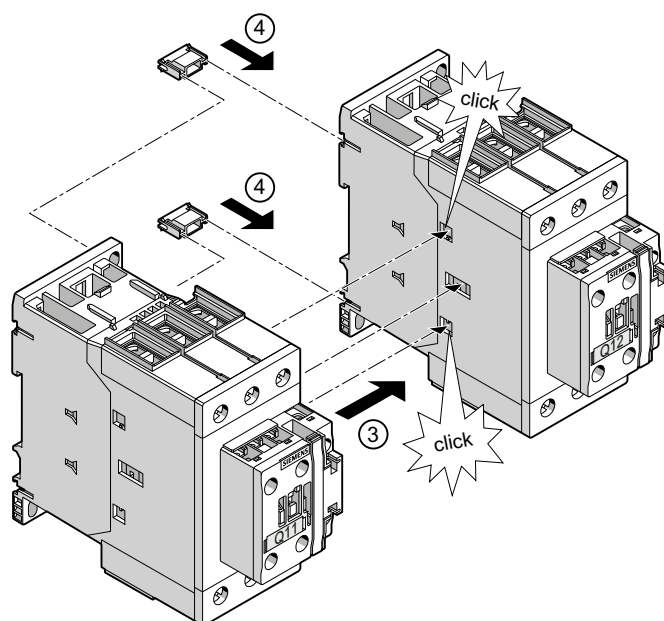
Assembling the reversing contactor assembly with screw-type connection - size S2

The illustrations below show the components of the assembly kit for the reversing contactor assembly in size S2 and explain the assembly procedure.



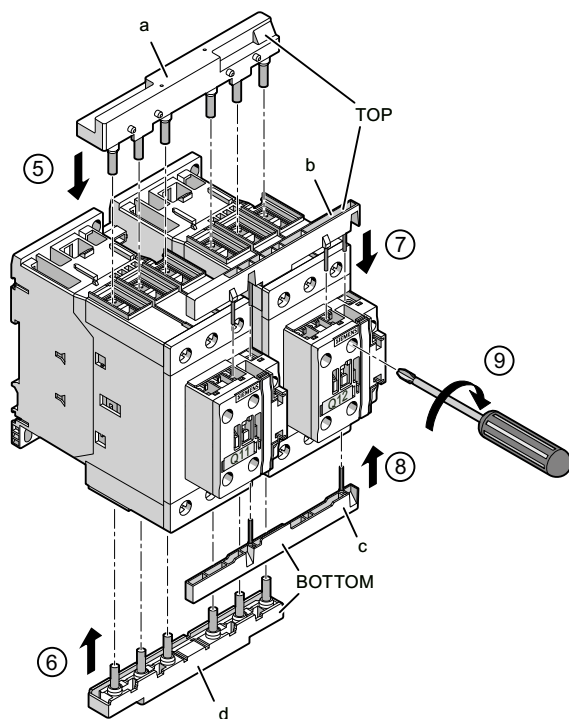
- ①/② Insert the mechanical interlock (3RA2934-2B) into the opening on the right-hand side of the contactor.
Optional component A (mechanical interlock) is mandatory for mechanical interlocking.

9.29 Assembly kit for reversing contactor assemblies (sizes S00 to S3)



- ③ Connect the contactors with each other.
- ④ Insert the connecting clips into the openings on the contactor.

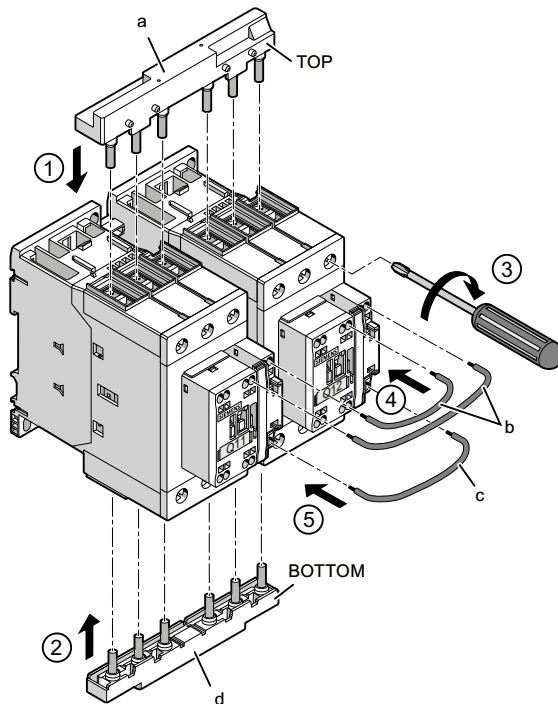
9.29 Assembly kit for reversing contactor assemblies (sizes S00 to S3)



- ⑤ Attach the wiring modules for connecting the main current paths to the contactors from above (a).
- ⑥ Attach the wiring modules for connecting the main current paths to the contactors from below (d).
- ⑦ Attach the wiring modules for connecting the control current paths to the contactors from above (b).
- ⑧ Attach the wiring modules for connecting the control current paths to the contactors from below (c).
- ⑨ Screw the wiring modules tight with a screwdriver.

Mounting the reversing contactor assembly with spring-loaded connection - size S2

The illustrations below show the components of the assembly kit for the reversing contactor assembly in size S2, and they explain the assembly procedure. The mechanical interlock and the connecting clips are mounted in the same way as described for size S2 with screw-type connection.



- ① Attach the wiring modules for connecting the main current paths to the contactors from above (a).
- ② Attach the wiring modules for connecting the main current paths to the contactors from below (d).
- ③ Screw the wiring modules tight with a screwdriver.
- ④ To connect the control current paths (b), push the conductors into the contactor terminals.
- ⑤ To connect the control current paths (c), push the conductors into the contactor terminals.

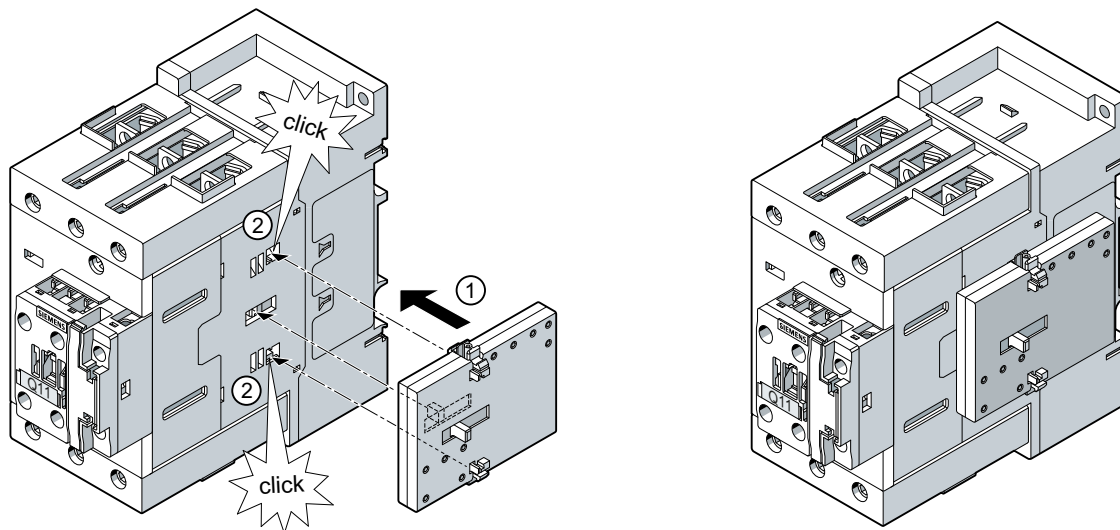
9.29.5 Mounting size S3

The reversing contactor assemblies can be built from contactors with screw connections or spring-loaded connections:

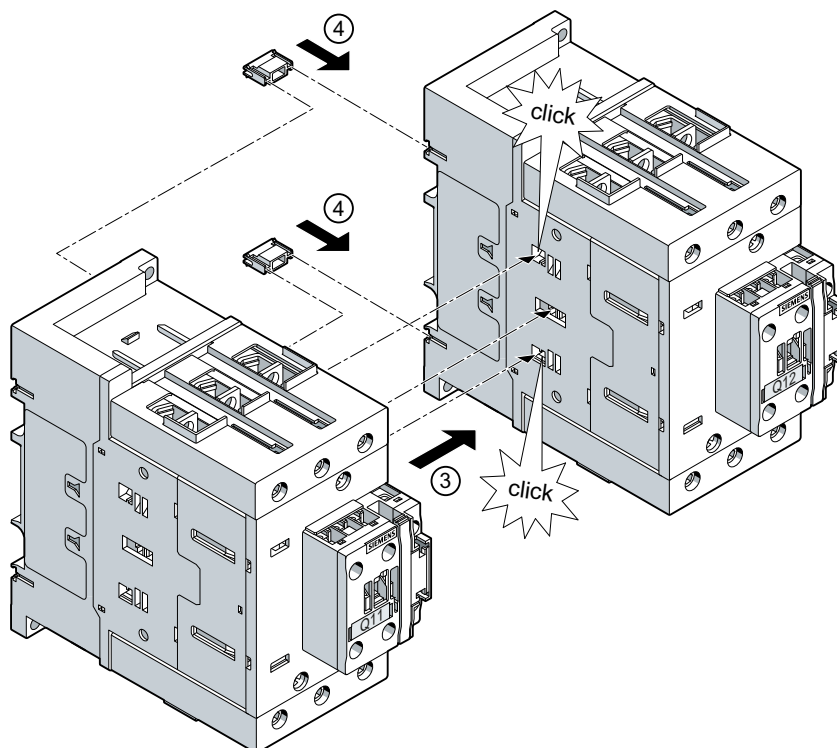
- Standard contactor (Q 11) for direction of rotation 1 (clockwise rotation): Left
- Standard contactor (Q 12) for direction of rotation 2 (counterclockwise rotation): Right

Mounting the reversing contactor assembly with screw-type connection - size S3

The illustrations below show the components of the assembly kit for the reversing contactor assembly in size S3, and they explain the assembly procedure.

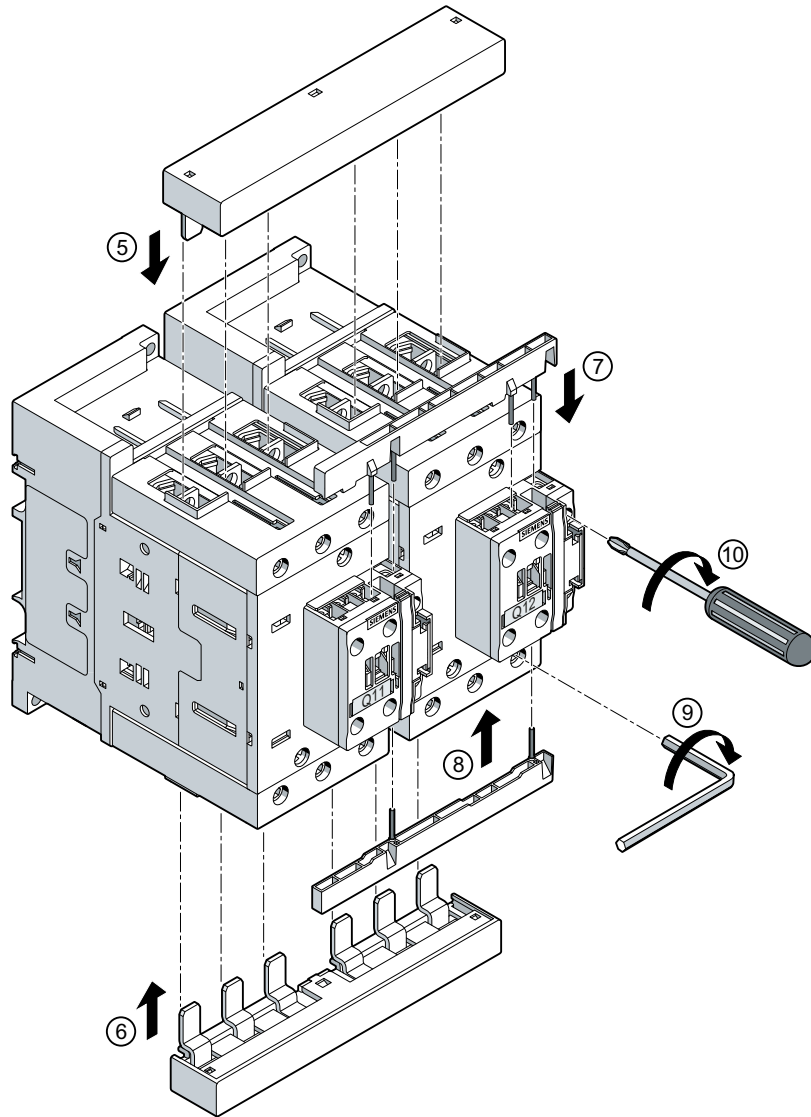


- ①/② Insert the mechanical interlock (3RA2934-2B) into the opening on the right-hand side of the contactor. Optional component A (mechanical interlock) is mandatory for mechanical interlocking.



- ③ Connect the contactors with each other.
④ Insert the connecting clips into the openings on the contactor.

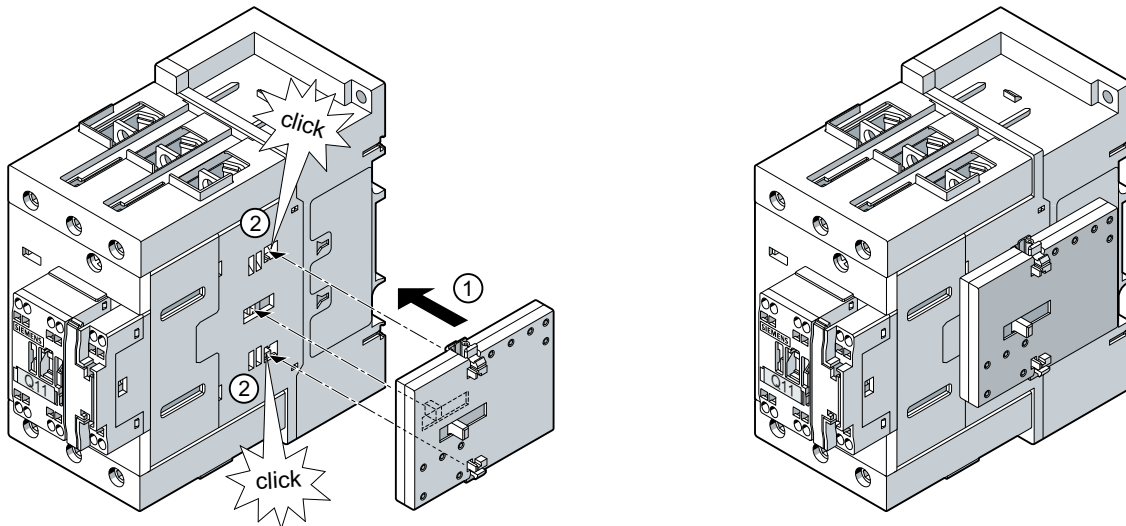
9.29 Assembly kit for reversing contactor assemblies (sizes S00 to S3)



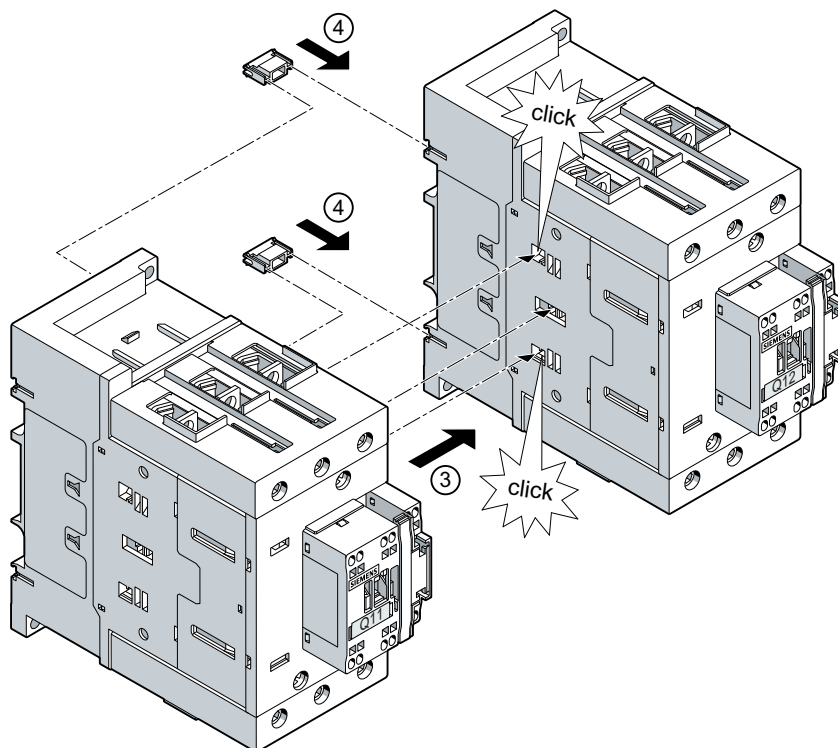
- ⑤ Attach the wiring modules for connecting the main current paths to the contactors from above.
- ⑥ Attach the wiring modules for connecting the main current paths to the contactors from below.
- ⑦ Attach the wiring modules for connecting the control current paths to the contactors from above.
- ⑧ Attach the wiring modules for connecting the control current paths to the contactors from below.
- ⑨ Screw the wiring modules tight with a screwdriver.
- ⑩ Screw the wiring modules in place.

Mounting the reversing contactor assembly with spring-loaded connection - size S3

The illustrations below show the components of the assembly kit for the reversing contactor assembly in size S3, and they explain the assembly procedure.

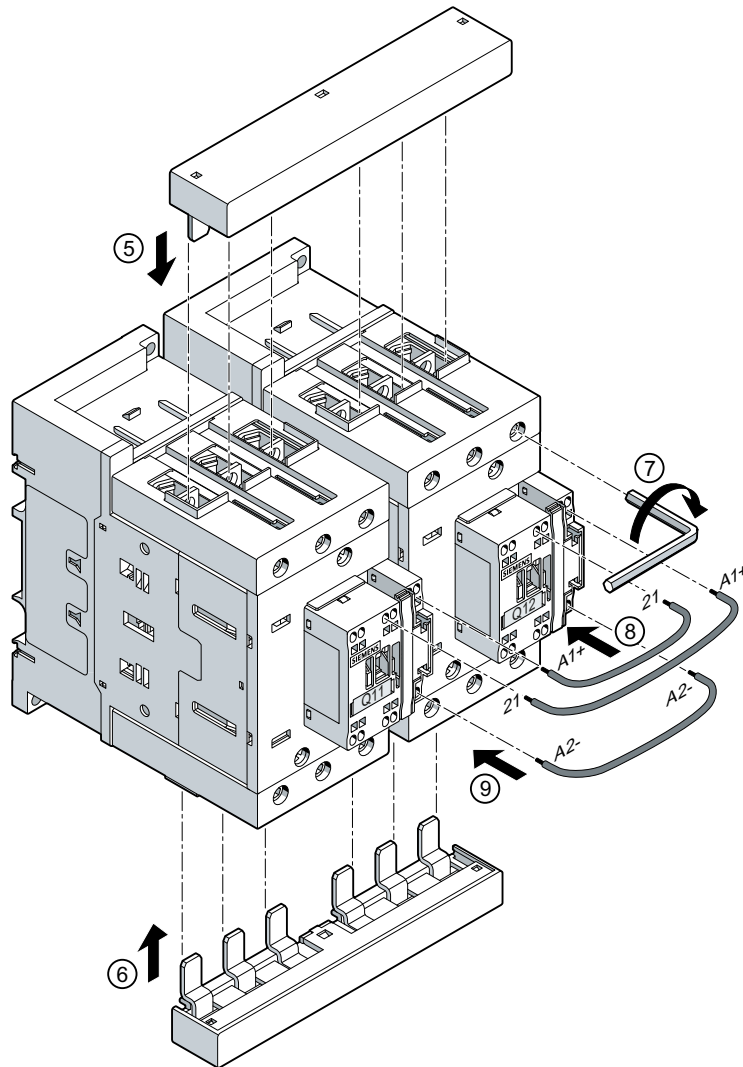


- ①/② Insert the mechanical interlock (3RA2934-2B) into the opening on the right-hand side of the contactor. Optional component A (mechanical interlock) is mandatory for mechanical interlocking.



- ③ Connect the contactors with each other.
④ Insert the connecting clips into the openings on the contactor.

9.29 Assembly kit for reversing contactor assemblies (sizes S00 to S3)



- ⑤ Attach the wiring modules for connecting the main current paths to the contactors from above.
- ⑥ Attach the wiring modules for connecting the main current paths to the contactors from below.
- ⑦ Screw the wiring modules in place.
- ⑧ To connect the control current paths, push the conductors into the contactor terminals.
- ⑨ To connect the control current paths, push the conductors into the contactor terminals.

9.30 Wiring kit for reversing contactor assemblies (sizes S6 to S12)

9.30.1 Description

Users can mount the reversing contactor assembly using various assembly kits.

The following accessories for the basic units can also be used for the reversing contactor assemblies:

- Auxiliary switch (on the front/side)
- Surge suppressors

The following accessories are provided especially for the reversing contactor assemblies:

- Mechanical interlocks (article number: 3RA1954-2A)
- Mechanical connector (article number: 3RA1932-2D)
- Wiring modules, top and bottom
 - S6 (article number: 3RA1953-2A, 3RA1953-2M)
 - S10 (article number: 3RA1963-2A)
 - S12 (article number: 3RA1973-2A)
- Base plates
 - S6 (article number: 3RA1952-2A)
 - S10 (article number: 3RA1962-2A)
 - S12 (article number: 3RA1972-2A)

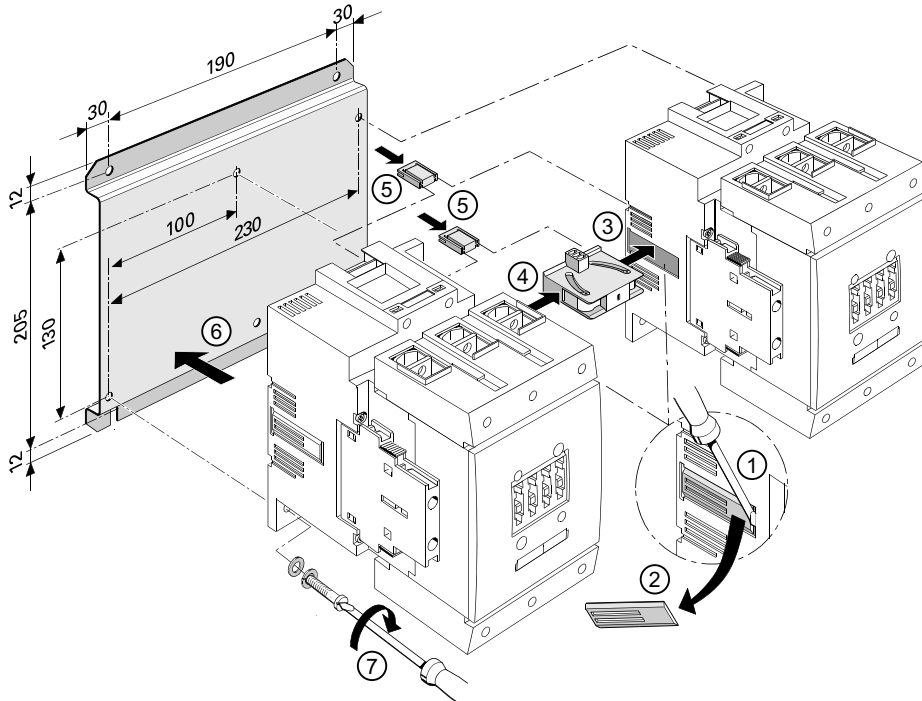
9.30.2 Mounting size S6

The reversing contactor assemblies can be built from contactors with screw connections or spring-loaded connections:

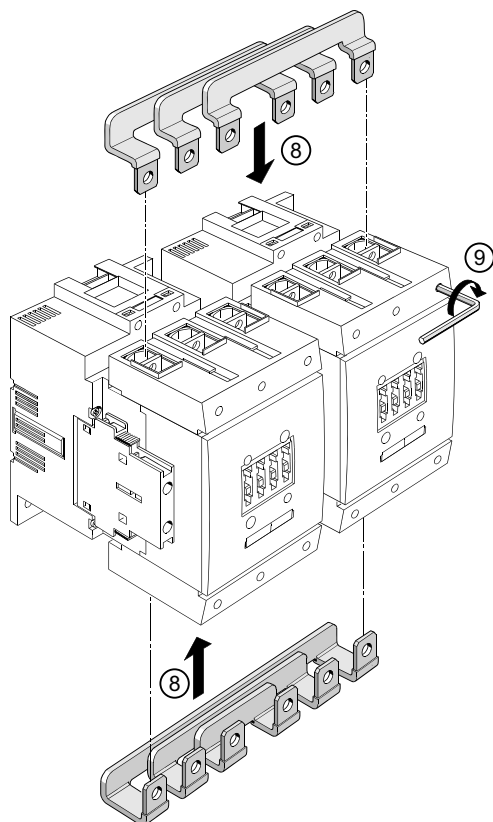
- Standard contactor (Q 11) for direction of rotation 1 (clockwise rotation): Left
- Standard contactor (Q 12) for direction of rotation 2 (counterclockwise rotation): Right

Mounting the reversing contactor assembly with screw-type connection - size S6

The illustrations below show the components of the assembly kit for the reversing contactor assembly in size S6, and they explain the assembly procedure.



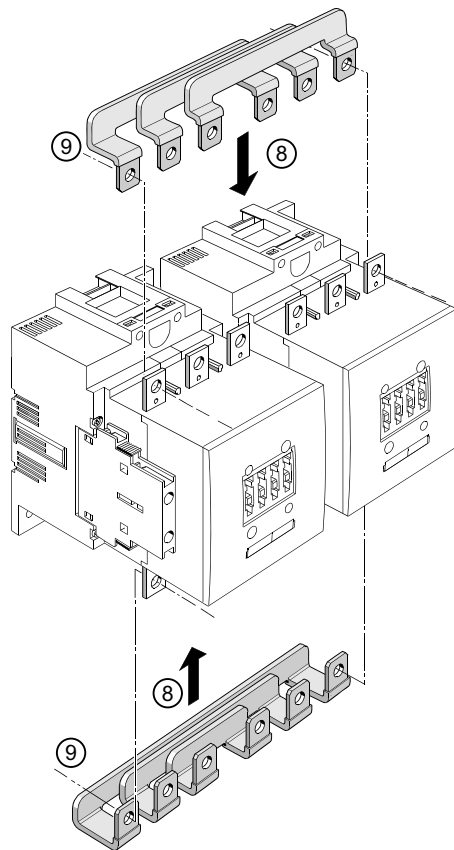
- ①/② Remove the covers that close the openings for mechanical interlocking on the two contactors.
- ③/④ Insert the mechanical interlock on the left and right into these openings to interlock the contactors mechanically.
- ⑤ Attach the two connecting clips onto the rear of the contactors.
- ⑥/⑦ Mount the assembly on a base plate (optional step)
Screws: M6 x 25 (4 x)
Tightening torque: 4.0 ... 6.0 Nm

Contactor with box terminals

- ⑧ Attach the wiring modules to connect the main current paths.
- ⑨ Tighten the connecting terminals.

9.30 Wiring kit for reversing contactor assemblies (sizes S6 to S12)

Contactor with busbar connections



- ⑧ Attach the wiring modules to connect the main current paths.
- ⑨ Tighten the connecting terminals.
Screws: M8 x 25

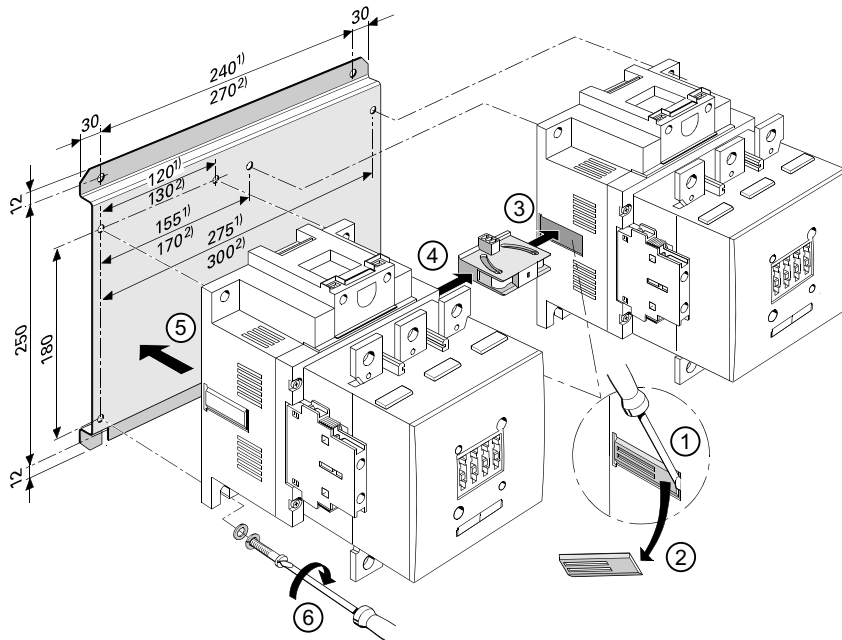
9.30.3 Mounting sizes S10 and S12

The reversing contactor assemblies can be built from contactors with screw connections or spring-loaded connections:

- Standard contactor (Q11) for direction of rotation 1 (clockwise rotation): Left
- Standard contactor (Q12) for direction of rotation 2 (counterclockwise rotation): Right

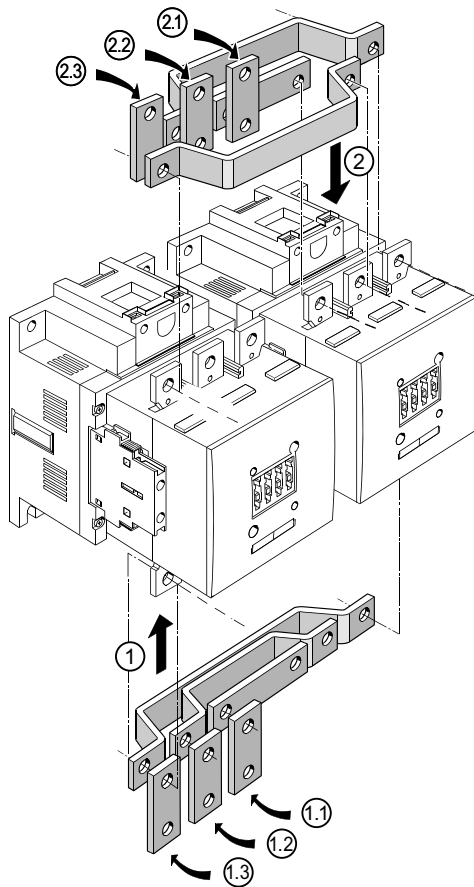
Mounting the reversing contactor assembly with screw-type connection - sizes S10 and S12

The illustrations below show the components of the assembly kit for the reversing contactor assembly in sizes S10 and S12, and they explain the assembly procedure.



- ①/② Remove the covers that close the openings for mechanical interlocking on the two contactors.
- ③/④ Insert the mechanical interlock on the left and right into these openings to interlock the contactors mechanically.
- ⑤ Attach the two connecting clips onto the rear of the contactors.
- ⑥/⑦ Mount the assembly on a base plate.
Screws: M8 x 30 (8 x)
Tightening torque: 10.0 ... 14.0 Nm

9.30 Wiring kit for reversing contactor assemblies (sizes S6 to S12)



- ① First, mount the lower wiring module with the extension tabs (1.1/1.2/1.3) to connect the main current paths, and tighten the connecting terminals.
Screws: M10 x 3 5 (3 x)
- ② Then mount the upper wiring module (8) with the extension tabs (2.1/2.2/2.3) to connect the main current paths, and tighten the connecting terminals.
Screws: M10 x 3 5 (3 x)

9.31 Assembly kit for contactor assemblies for star-delta (wye-delta) start (sizes S00 to S3)

9.31.1 Description

Prerequisite

The following components, which have to be ordered separately, are required to mount the contactor assembly for star-delta (wye-delta) start:

- Assembly kit for the 3RA24 contactor assembly for star-delta (wye-delta) start
- Function modules with or without communication connection.
- Three power contactors 3RT20

Note

For size S2 / S3, spring-loaded connection only in the control circuit

The following assemblies for spring-loaded connection are available for sizes S00 and S0 only.

Note

If the function modules are used, they take over the tasks associated with control circuit wiring and the timing relay. However, an installation without function modules and with an additional external timing relay continues to be possible. Accordingly, the scope of supply of the assembly kit includes the wiring modules for the control circuit wiring (these are not required if function modules are being used).

Assembly kit for 3RA24 contactor assembly for star-delta (wye-delta) start

The assembly kit for customer assembly of the 3RA24 contactor assembly for star-delta (wye-delta) start comprises the following components and is available in various versions.

Table 9-44 Components for assembling the contactor assembly for star-delta (wye-delta) start

| Assembly kit | Assembly kit components | Connection system | Article number |
|---------------------------|---|--------------------------|----------------|
| Assembly kit for size S00 | <ul style="list-style-type: none"> • Mechanical interlock • 4 connecting clips • Star jumper • Wiring modules, top and bottom | Screw connection | 3RA2913-2BB1 |
| | | Spring-loaded connection | 3RA2913-2BB2 |
| Assembly kit for size S0 | <ul style="list-style-type: none"> • Mechanical interlock • 4 connecting clips • Star jumper • Wiring modules, top and bottom | Screw connection | 3RA2923-2BB1 |
| | | Spring-loaded connection | 3RA2923-2BB2 |

9.31 Assembly kit for contactor assemblies for star-delta (wye-delta) start (sizes S00 to S3)

| Assembly kit | Assembly kit components | Connection system | Article number |
|---|---|---|----------------|
| Assembly kit for size S2 ¹⁾ (S2-S2-S0) | <ul style="list-style-type: none"> • 2 connecting clips • Star jumper S0 • Wiring modules, top and bottom • Contactor base (for AC contactor size S0) The contactor base must not be used for DIN rail mounting. • Spacer disk • 4 cables | Screw connection and spring-loaded connection | 3RA2933-2C |
| Assembly kit for size S2 ¹⁾ (S2-S2-S2) | <ul style="list-style-type: none"> • 4 connecting clips • Star jumper S2 • Wiring modules, top and bottom • Auxiliary wiring modules top and bottom (screw connection only) • 1 cable for screw connection • 4 cables for spring-loaded connection | Screw connection | 3RA2933-2BB1 |
| | | Spring-loaded connection | 3RA2933-2BB2 |
| Assembly kit for size S3 ²⁾ (S3-S3-S2) | <ul style="list-style-type: none"> • 4 connecting clips • Star jumper S2 • Wiring modules, top and bottom • 4 cables | Screw connection and spring-loaded connection | 3RA2943-2C |
| Assembly kit for size S3 ²⁾ (S3-S3-S3) | <ul style="list-style-type: none"> • 4 connecting clips • Neutral bridge S3 • Wiring modules, top and bottom • Auxiliary wiring modules top and bottom (screw connection only) • 1 cable for screw connection • 4 cables for spring-loaded connection | Screw connection | 3RA2943-2BB1 |
| | | Spring-loaded connection | 3RA2943-2BB2 |

¹⁾ In addition to the assembly kit S2, the mechanical interlock (3RA2934-2B) and the mounting plate (3RA2932-2F) can be optionally used.

²⁾ The mechanical interlock (3RA2934-2B) and the mounting plate (3RA2942-2F) can be optionally used in addition to the S3 assembly kit.

Function modules without communication connection

The function module without communication connection can be used for sizes S00 to S3 of contactor assemblies for star-delta (wye-delta) start, and it can be plugged in on the front of the contactors regardless of the connection system selected. It comprises the following components, which can be ordered as a complete module kit (3RA2816-OEW20).

- 3RA2912-0 basic module for star-delta (wye-delta) with integrated control logic and time setting
- Two coupling modules with integrated connecting cable 3RA2911-0

Function modules with communication connection

The SIRIUS modular system offers 3RA27 function modules for connection to the automation level; they are fitted with terminals for connection to AS-Interface (3RA2711) or IO-Link (3RA2712).

Note

If the contactor assembly for star-delta (wye-delta) starting is configured with the communication-capable 3RA27 function modules, a contactor with voltage tapping (3RT2...-.....0CC0) must be used as the line contactor.

Reference

| More information ... | Can be found in the chapter titled... |
|---|---|
| About function modules without communication connection 3RA28 | "List of references" under "Manuals - SIRIUS Modular System (Page 496)" in the manual "SIRIUS - SIRIUS 3RA28 function modules for mounting on 3RT2 contactors". |

| More information ... | Can be found in the manuals ... |
|--|---|
| About function modules with communication connection 3RA27 | <ul style="list-style-type: none"> "SIRIUS - SIRIUS 3RA2712 function modules for AS-Interface (http://support.automation.siemens.com/WW/view/en/39318922)" manual (3ZX1012-ORA27-0AB0) "SIRIUS - SIRIUS 3RA2711 function modules for IO-Link (http://support.automation.siemens.com/WW/view/en/39319600)" manual (3ZX1012-ORA27-1AB1) |

9.31.2 Mounting size S00

The contactor assemblies for star-delta (wye-delta) start can be built from contactors with screw connections or spring-loaded connections:

- Line contactor (Q11): Left
- Delta contactor (Q13): Center
- Star contactor (Q12): Right

This arrangement applies for all installation instructions described in this chapter.

The illustration below shows example procedures for assembling the contactor assembly for star-delta (wye-delta) start in size S0 with screw-type connection. Instructions 1 to 6 show how to assemble the contactors using the components supplied in the assembly kit.

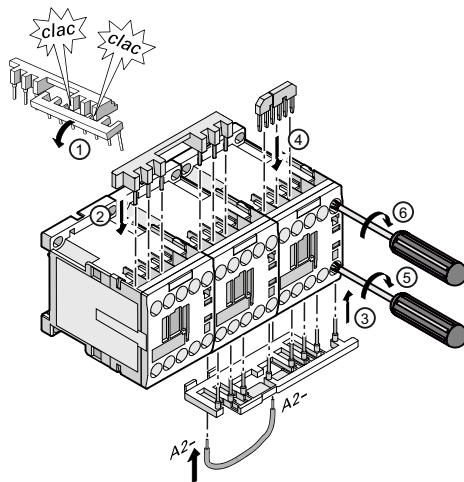
Assembling the contactor assembly for star-delta (wye-delta) start with screw-type connection - size S00

DANGER

Hazardous voltage. Will cause death or serious injury.

Turn off and lock out all power supplying this device before working on this device.

The mechanical interlock and the connecting clips are mounted and the function modules are plugged in in the same way as described for size S0 with screw-type connection. See the chapter "Mounting S0 (Page 398)" in this regard.



- ① Break the wiring module apart.
The wiring modules for connecting the control current paths are not needed to build a contactor assembly for star-delta (wye-delta) start with function modules.
- ②/③ Attach the wiring module for connecting the main current paths to contactors Q11 and Q13 from above and below.
- ④ Attach the wiring module for the neutral bridge to contactor Q12 from above.
- ⑤/⑥ Screw the wiring modules tight with a screwdriver.

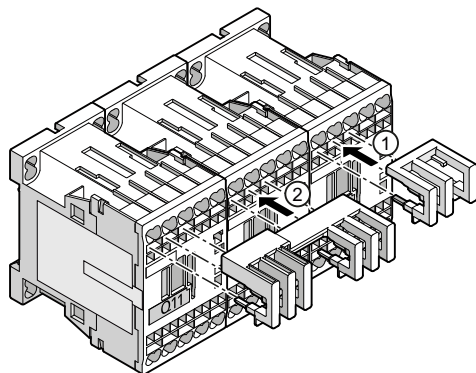
Electrical interlocking is available only if no 3RA28 is used.

Note

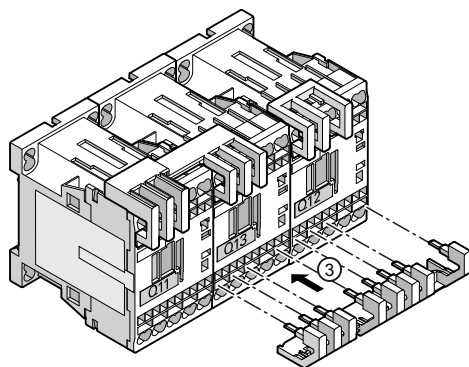
The function modules are assembled as previously described.

Assembling the contactor assembly for star-delta (wye-delta) start with spring-loaded connection - size S00

The mechanical interlock and the connecting clips are mounted and the function modules are plugged in in the same way as described for size S0 with screw-type connection. See the chapter "Mounting S0 (Page 398)" in this regard.

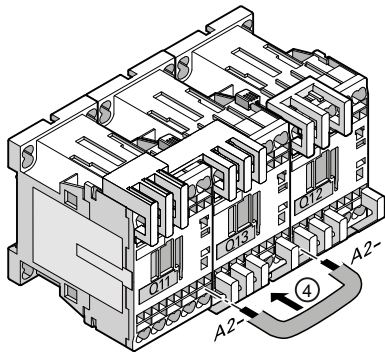


- ① Attach the wiring module for the neutral bridge to contactor Q12 from above.
The wiring modules for connecting the control current paths are not needed to build a contactor assembly for star-delta (wye-delta) start with function modules.
- ② Attach the wiring module for connecting the main current paths to contactors Q11 and Q13 from above.



- ③ Attach the wiring module for connecting the main current paths to contactors Q13 and Q12 from below.

9.31 Assembly kit for contactor assemblies for star-delta (wye-delta) start (sizes S00 to S3)



- ④ Insert the screwdriver into the rectangular operating slot as far as it will go. The screwdriver blade keeps the spring-loaded terminal open automatically. Insert the conductor into the oval connection slot and then pull it back out again.

Note

The function modules are assembled as previously described.

9.31.3 Mounting size S0

The contactor assemblies for star-delta (wye-delta) start can be built from contactors with screw connections or spring-loaded connections:

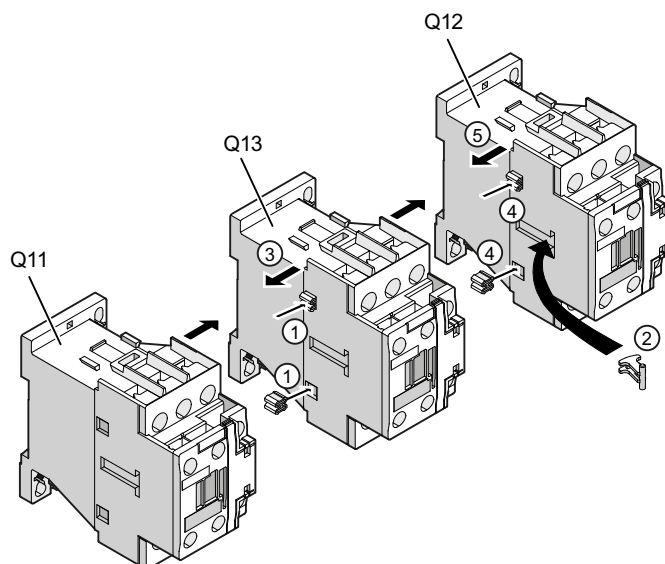
- Line contactor (Q11): Left
- Delta contactor (Q13): Center
- Star contactor (Q12): Right

This arrangement applies for all installation instructions described in this chapter.

The illustration below shows example procedures for assembling the contactor assembly for star-delta (wye-delta) start in size S0 with screw-type connection. Instructions 1 to 6 show how to assemble the contactors using the components supplied in the assembly kit.

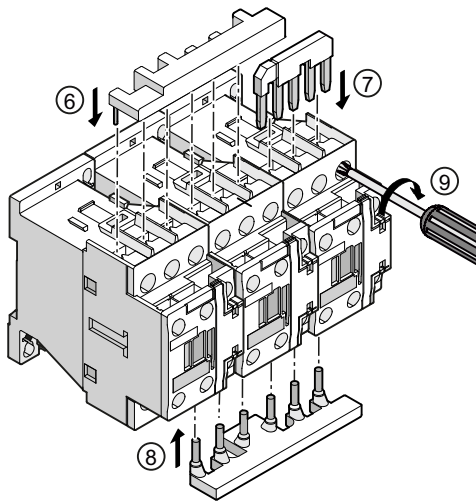
Assembling the contactor assembly for star-delta (wye-delta) start with screw-type connection - size S0

Electrical interlocking is available only if no 3RA28 is used.

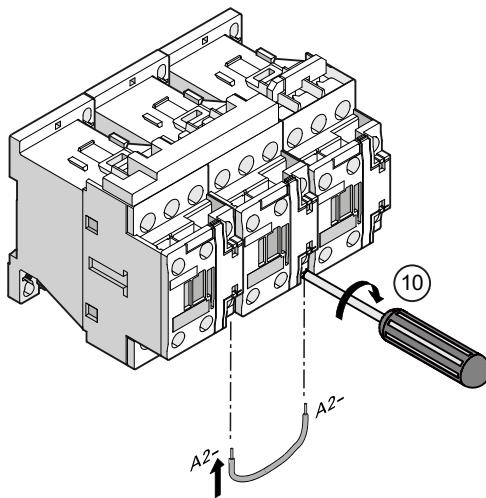


- ① Insert the connecting clips into the openings on contactor Q13.
- ② Secure the mechanical interlock on the left-hand side of contactor Q12.
- ③ Connect contactors Q11 and Q13 together.
- ④ Insert the connecting clips into the openings on contactor Q12.
- ⑤ Connect contactors Q11/Q13 and Q12 together.

9.31 Assembly kit for contactor assemblies for star-delta (wye-delta) start (sizes S00 to S3)



- ⑥ Attach the wiring module for connecting the main current paths to contactors Q11 and Q13. The wiring modules for connecting the control current paths are not needed to build a contactor assembly for star-delta (wye-delta) start with function modules.
- ⑦ Attach the wiring module for the neutral bridge to contactor Q12 from above.
- ⑧ Attach the wiring modules for connecting the main current paths to contactors Q13 and Q12 from below.
- ⑨ Screw the wiring modules tight with a screwdriver.



- ⑩ Screw the conductors tight with a screwdriver.

Mounting the function module for star-delta (wye-delta) start

DANGER

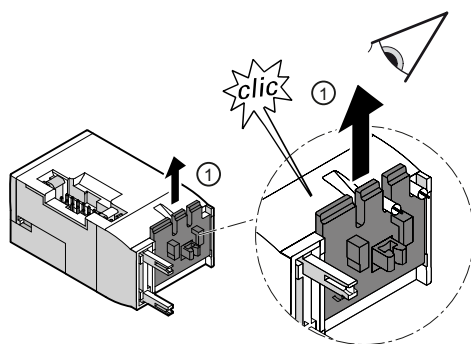
Hazardous voltage. Will cause death or serious injury.

Turn off and lock out all power supplying this device before working on this device.

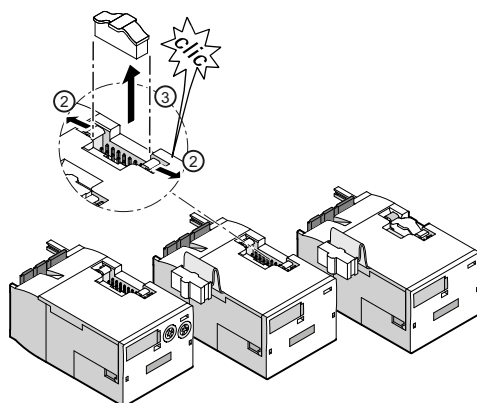
Note

Function modules perform the tasks of the circuit wiring and the timing relay

If you are building contactor assemblies from individual components, the function modules take over the tasks associated with control circuit wiring and the timing relay. The wiring modules for connecting the control current paths are not required.

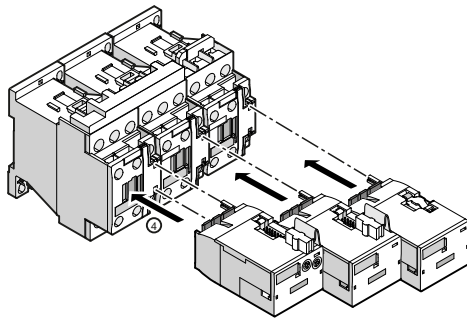


- ① Check that the locking slide is engaged in the topmost position.

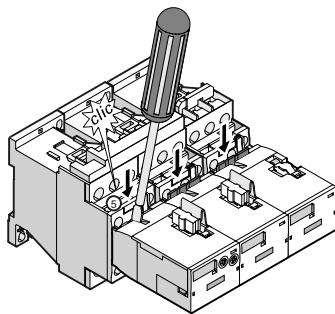


- ②/③ Remove the interface connection from the slot by lifting it up and out.

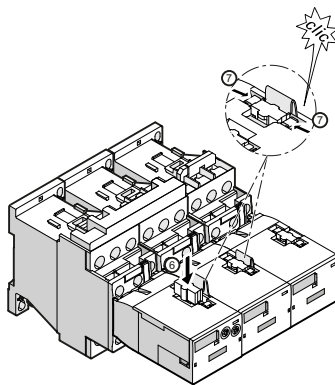
9.31 Assembly kit for contactor assemblies for star-delta (wye-delta) start (sizes S00 to S3)



- ④ Attach the basic module/coupling module to the contactor from the front. To do this, insert the contacts into the openings on the contactor.



- ⑤ Push the locking slide down with a screwdriver until it engages.



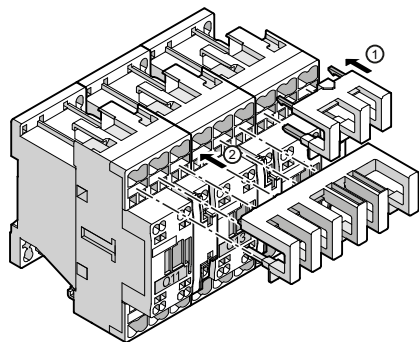
- ⑥/⑦ Insert the coded module connector into the slot in the correct position from above until the module connector engages in the locking mechanism.

Note

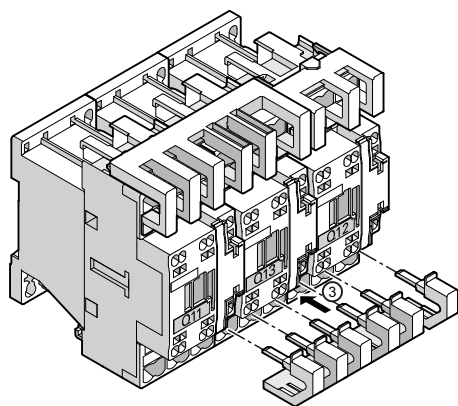
The function modules are mounted on the contactor assemblies for star-delta (wye-delta) start described below as previously described.

Assembling the contactor assembly for star-delta (wye-delta) start with spring-loaded connection - size S0

The mechanical interlock and the connecting clips are mounted and the function modules are plugged in in the same way as described for size S0 with screw-type connection.



- ① Attach the wiring module for the neutral bridge to contactor Q12 from above.
- ② Attach the wiring module for connecting the main current paths to contactors Q11 and Q13 from above.



- ③ Attach the wiring modules for connecting the main current paths to contactors Q13 and Q12 from below.

Note

The function modules are assembled as previously described.

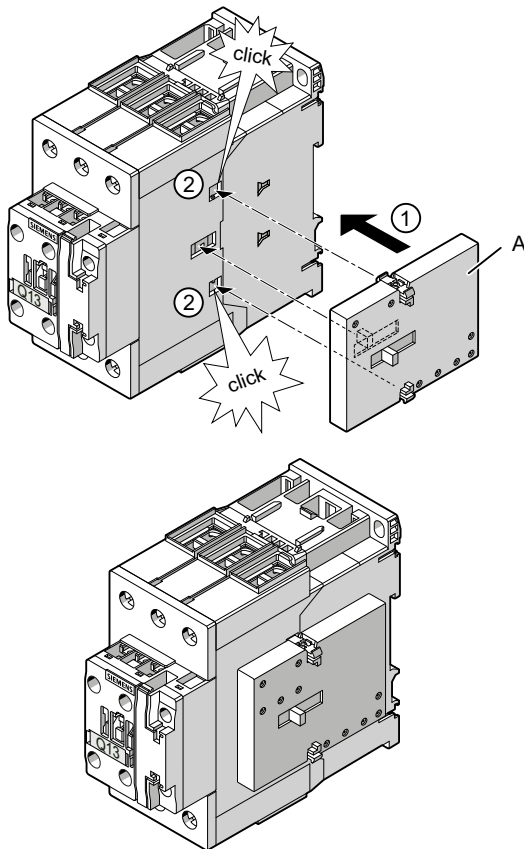
9.31.4 Mounting size S2

The contactor assemblies for star-delta (wye-delta) start can be built from contactors with screw connections or spring-loaded connections:

- Line contactor (Q11): Left
- Delta contactor (Q13): Center
- Star contactor (Q12): Right

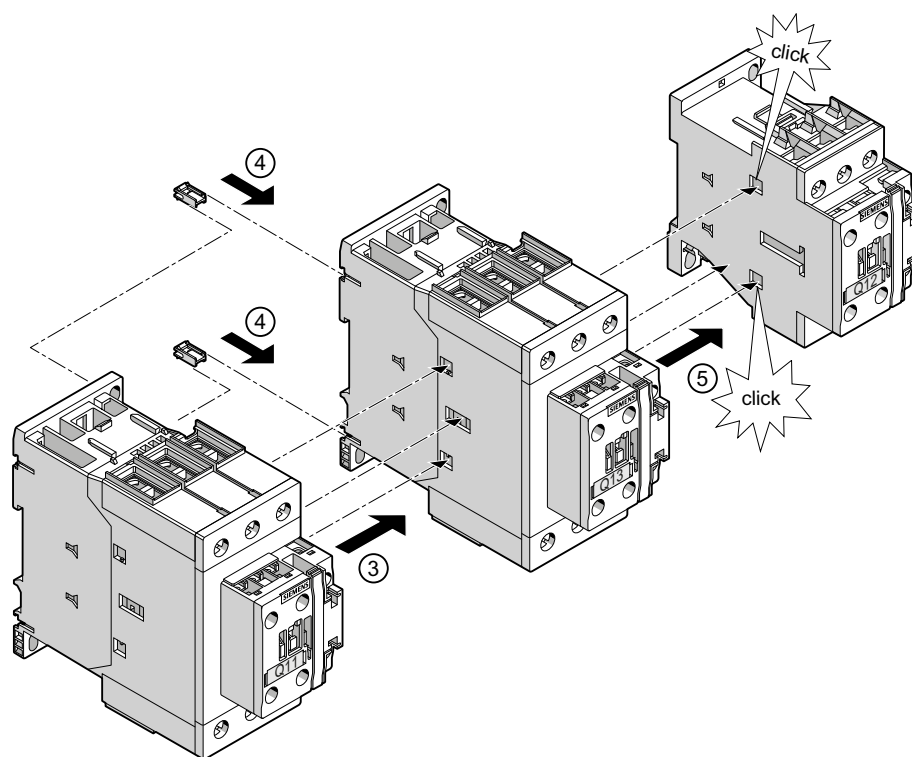
This arrangement applies for all installation instructions described in this chapter.

Assembling the contactor assembly for star-delta (wye-delta) start with screw-type connection - size S2-S2-S0



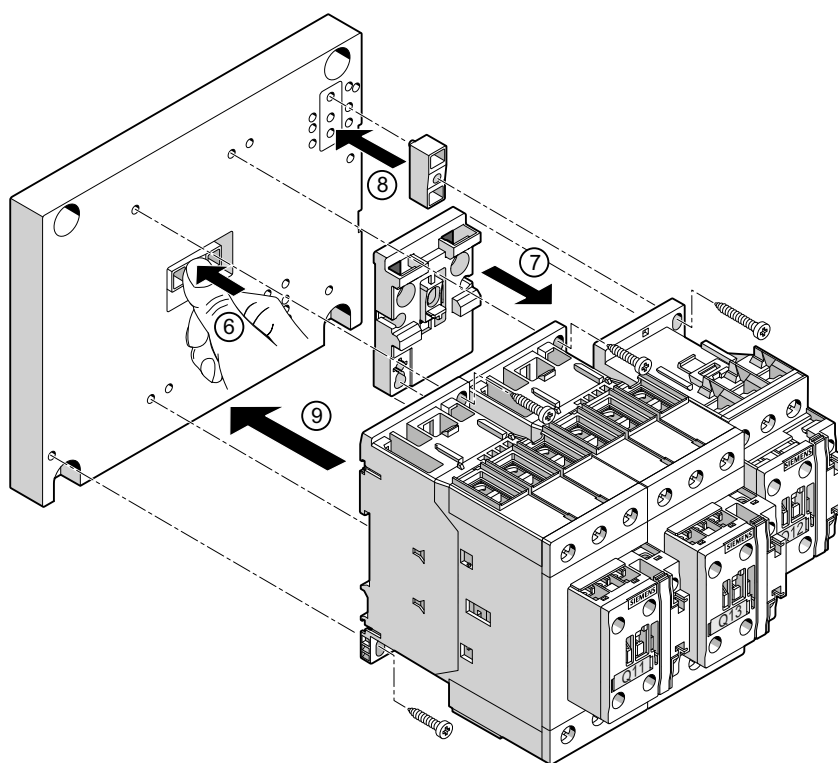
- ①/② Insert the mechanical interlock (3RA2934-2B) into the opening on the right-hand side of contactor Q13.
Optional component A (mechanical interlock) is mandatory for mechanical interlocking.

9.31 Assembly kit for contactor assemblies for star-delta (wye-delta) start (sizes S00 to S3)



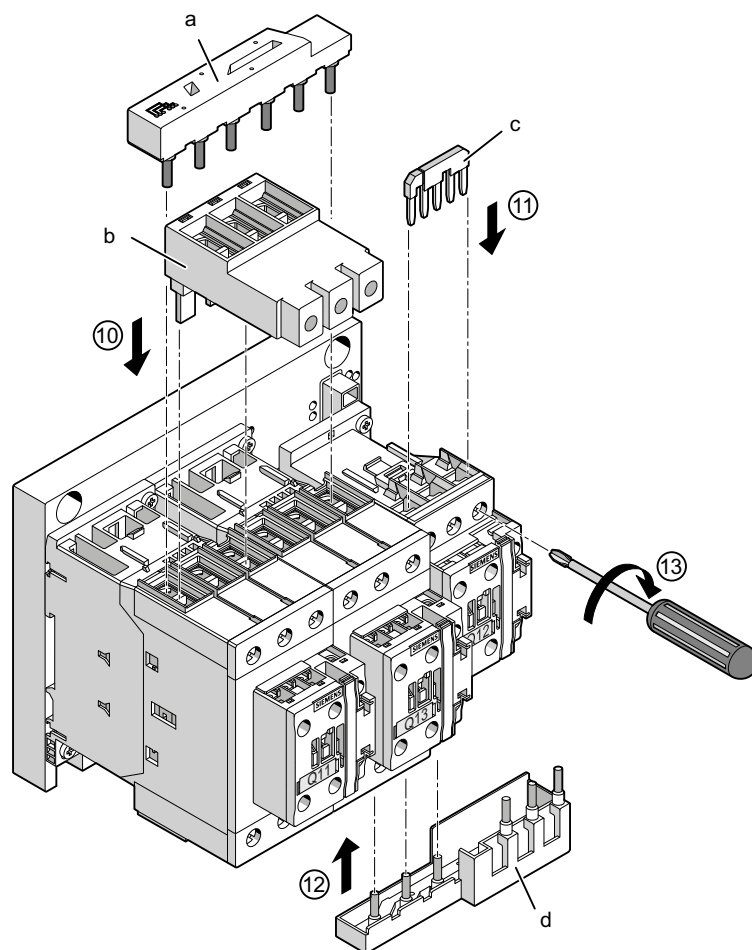
- ③ Connect contactors Q11 and Q13 together.
- ④ Insert the connection clips into the openings on contactors Q11 and Q13.
- ⑤ Connect contactors Q13 and Q12 together.

9.31 Assembly kit for contactor assemblies for star-delta (wye-delta) start (sizes S00 to S3)



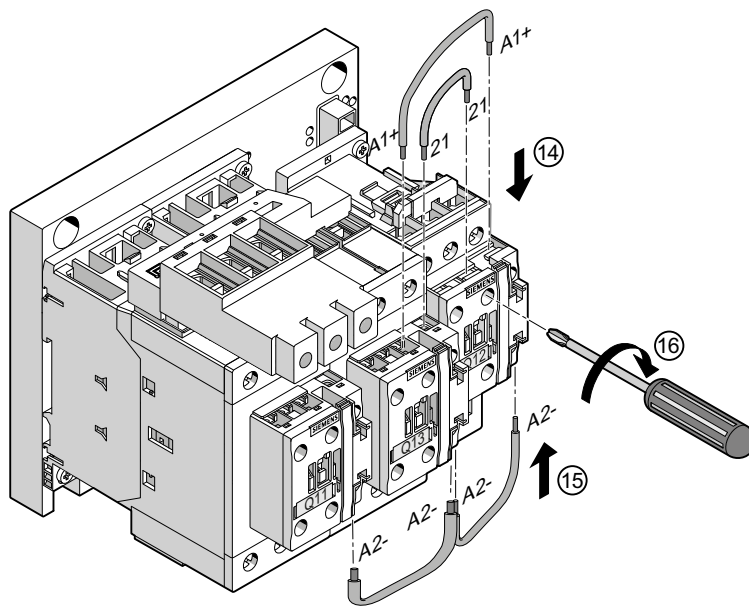
- ⑥ When using the mounting plate (3RA2932-2F), you must knock the spacers out of the mounting plate.
- ⑦ Fit the spacer disk.
- ⑧ Mount the spacer on the mounting plate.
- ⑨ Mount the contactors on the mounting plate.
Screws: 6 x M6
Tightening torque: 1.6 Nm

9.31 Assembly kit for contactor assemblies for star-delta (wye-delta) start (sizes S00 to S3)

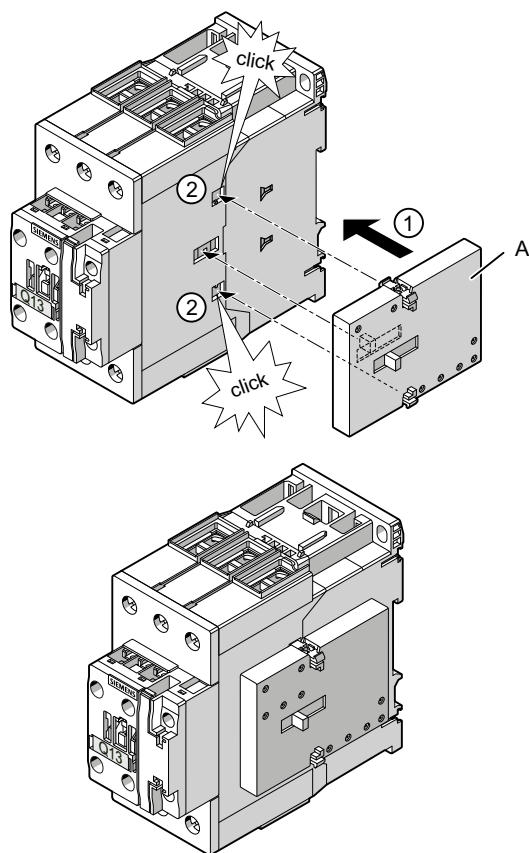


- ⑩ Attach the wiring module for connecting the main current paths to contactors Q11 and Q13 from above (a).
You can optionally use the 3-phase infeed terminal (b).
- ⑪ Attach the neutral bridge (c) to contactor Q12 from above.
- ⑫ Attach the wiring module for connecting the main current paths to contactors Q13 and Q12 from below (d).
- ⑬ Screw the wiring modules tight with a screwdriver.

9.31 Assembly kit for contactor assemblies for star-delta (wye-delta) start (sizes S00 to S3)

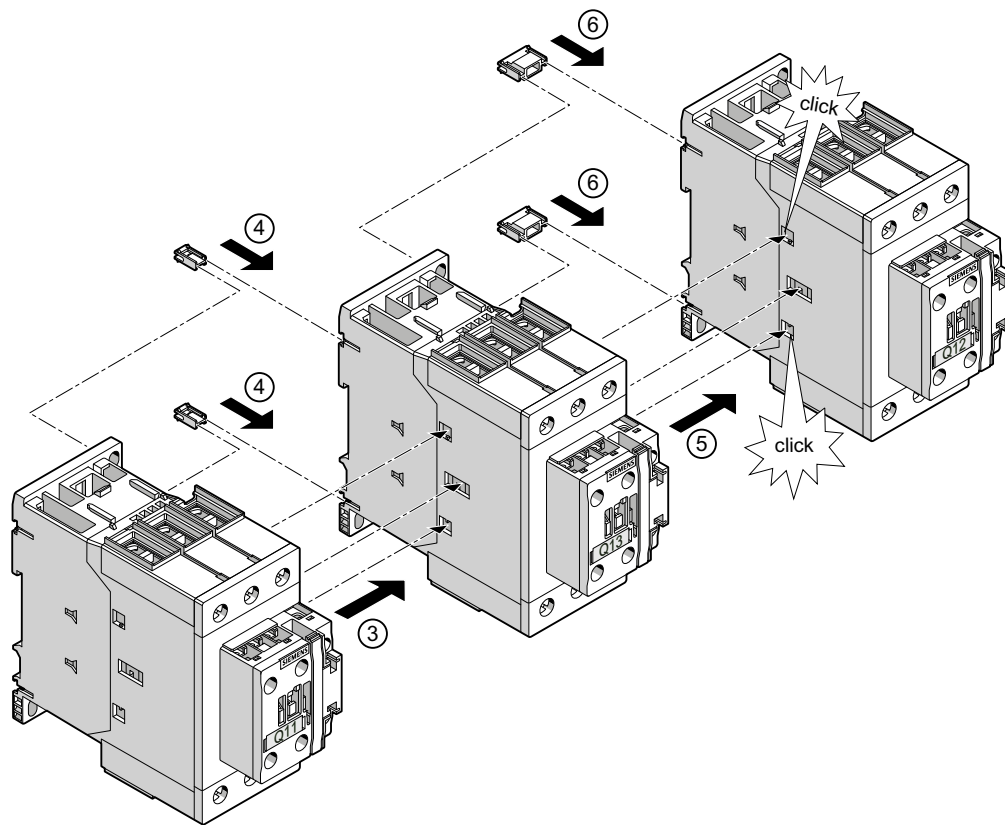


- (14)/(15) To connect the control current paths, push the conductors into the contactor terminals.
To connect the coil contacts, push the conductors into the contactor terminals.
- (16) Screw the terminals tight with a screwdriver.

Assembling the contactor assembly for star-delta (wye-delta) start with screw-type connection - size S2-S2-S2

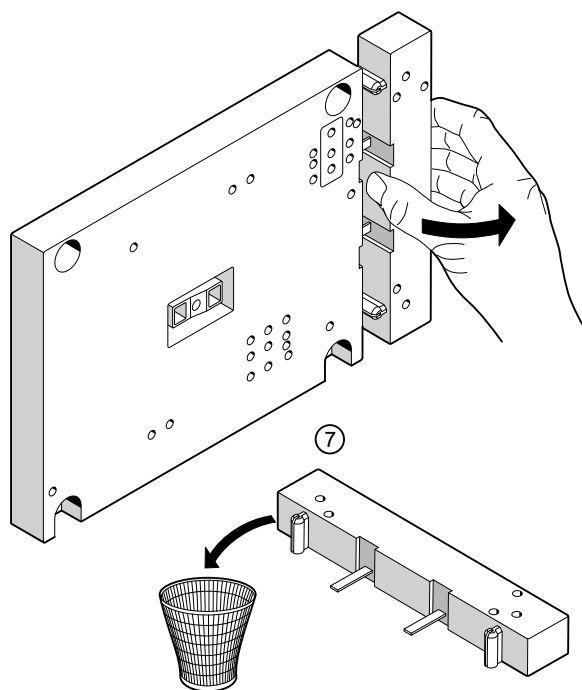
- ①/② Insert the mechanical interlock (3RA2934-2B) into the opening on the right-hand side of contactor Q13.
Optional component A (mechanical interlock) is mandatory for mechanical interlocking.

9.31 Assembly kit for contactor assemblies for star-delta (wye-delta) start (sizes S00 to S3)

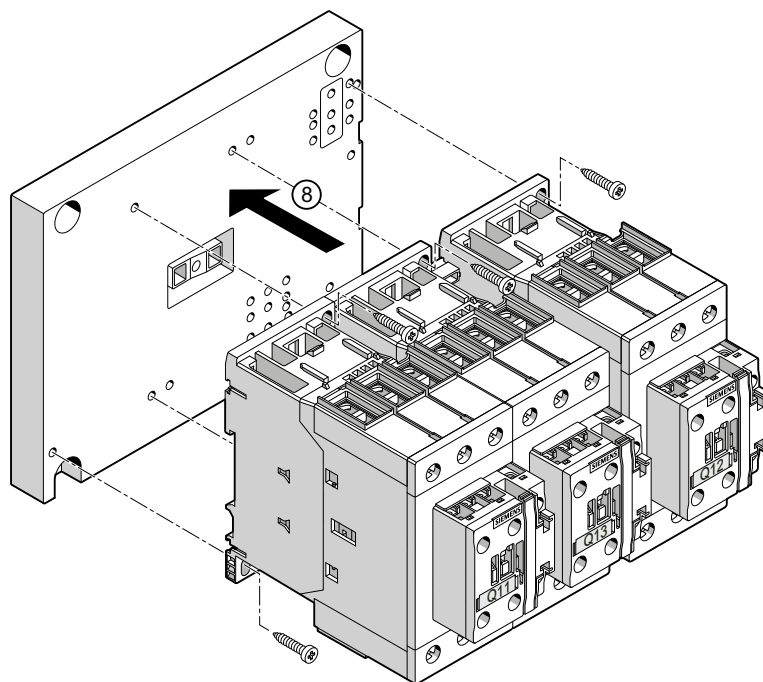


- ③ Connect contactors Q11 and Q13 together.
- ④ Insert the connection clips into the openings on contactors Q11 and Q13.
- ⑤ Connect contactors Q13 and Q12 together.
- ⑥ Insert the connection clips into the openings on contactors Q13 and Q12.

9.31 Assembly kit for contactor assemblies for star-delta (wye-delta) start (sizes S00 to S3)

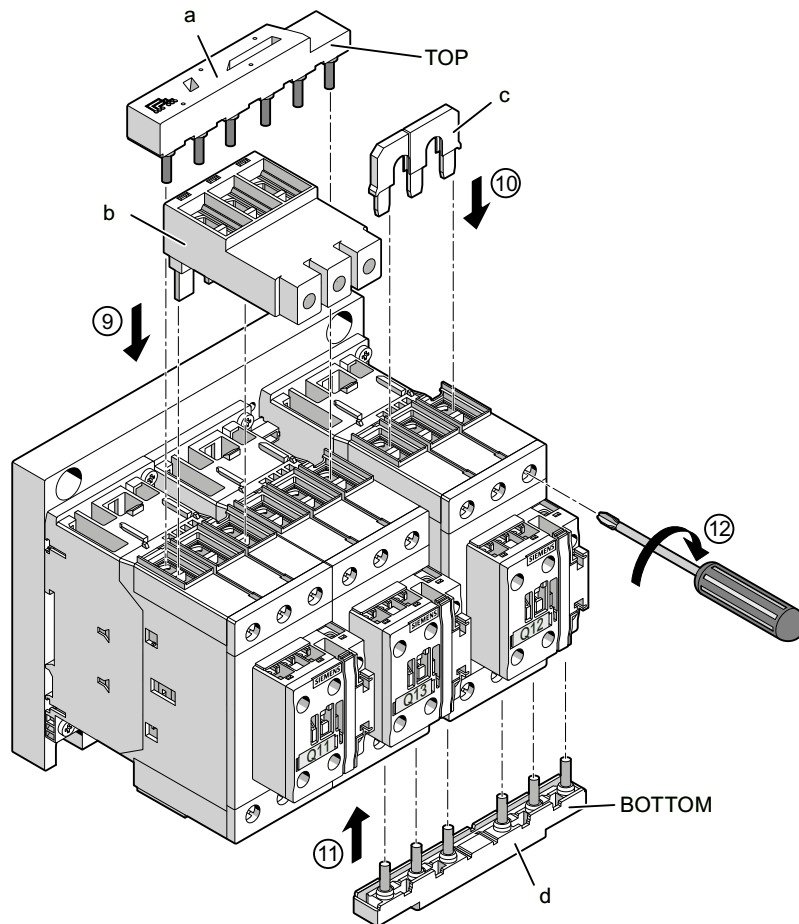


- ⑦ When using the mounting plate (for S2 3RA2932-2F; for S3 3RA2942-2F), you must remove its side section.
 (Note: The side section is required when mounting the 3RP25 or 3RP15 timing relay.)



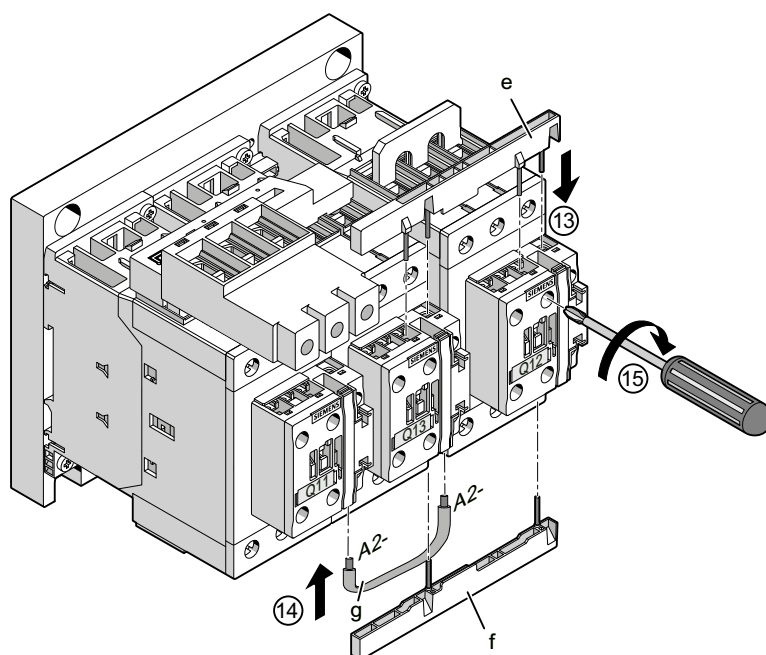
- ⑧ Mount the contactors on the mounting plate.
 Screws: 6 x M6
 Tightening torque: 1.6 Nm

9.31 Assembly kit for contactor assemblies for star-delta (wye-delta) start (sizes S00 to S3)



- ⑨ Attach the wiring module for connecting the main current paths to contactors Q11 and Q13 from above (a).
You can use the 3-phase infeed terminal (b) optionally for size S2.
- ⑩ Attach the neutral bridge (c) to contactor Q12 from above.
- ⑪ Attach the wiring module for connecting the main current paths to contactors Q13 and Q12 from below (d).
- ⑫ Screw the terminals tight with a screwdriver.

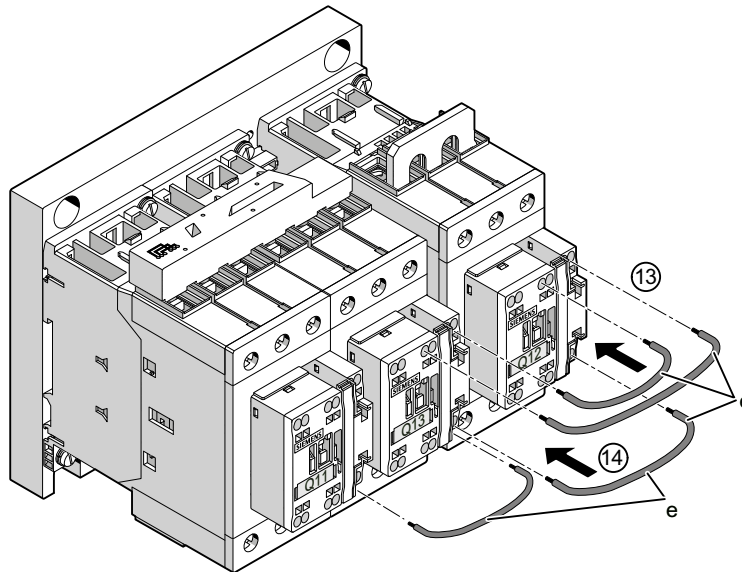
9.31 Assembly kit for contactor assemblies for star-delta (wye-delta) start (sizes S00 to S3)



- ⑬ Attach the wiring module for connecting the control current paths to contactors Q13 and Q12 from above (e).
- ⑭ Attach the wiring module for connecting the control current paths to contactors Q13 and Q12 from below (f).
To connect the coil contacts, push the conductors into the terminals of contactors Q11 and Q13.
- ⑮ Screw the terminals tight with a screwdriver.

Assembling the contactor assembly for star-delta (wye-delta) start with spring-loaded connection - size S2-S2-S2

The mechanical interlock, the connecting clips and the wiring modules for connecting the main current paths are mounted (steps 1-12) in the same way as described for size S2-S2-S2 with screw-type connection.



- ⑬/⑭ To connect the control current paths, push the conductor (e) into the contactor terminals.
To connect the coil contacts, push the conductors (e) into the contactor terminals.

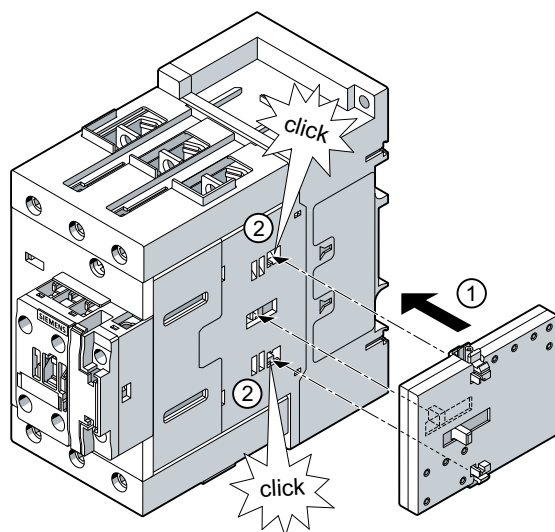
9.31.5 Mounting size S3

The contactor assemblies for star-delta (wye-delta) start can be built from contactors with screw connections or spring-loaded connections:

- Line contactor (Q11): Left
- Delta contactor (Q13): Center
- Star contactor (Q12): Right

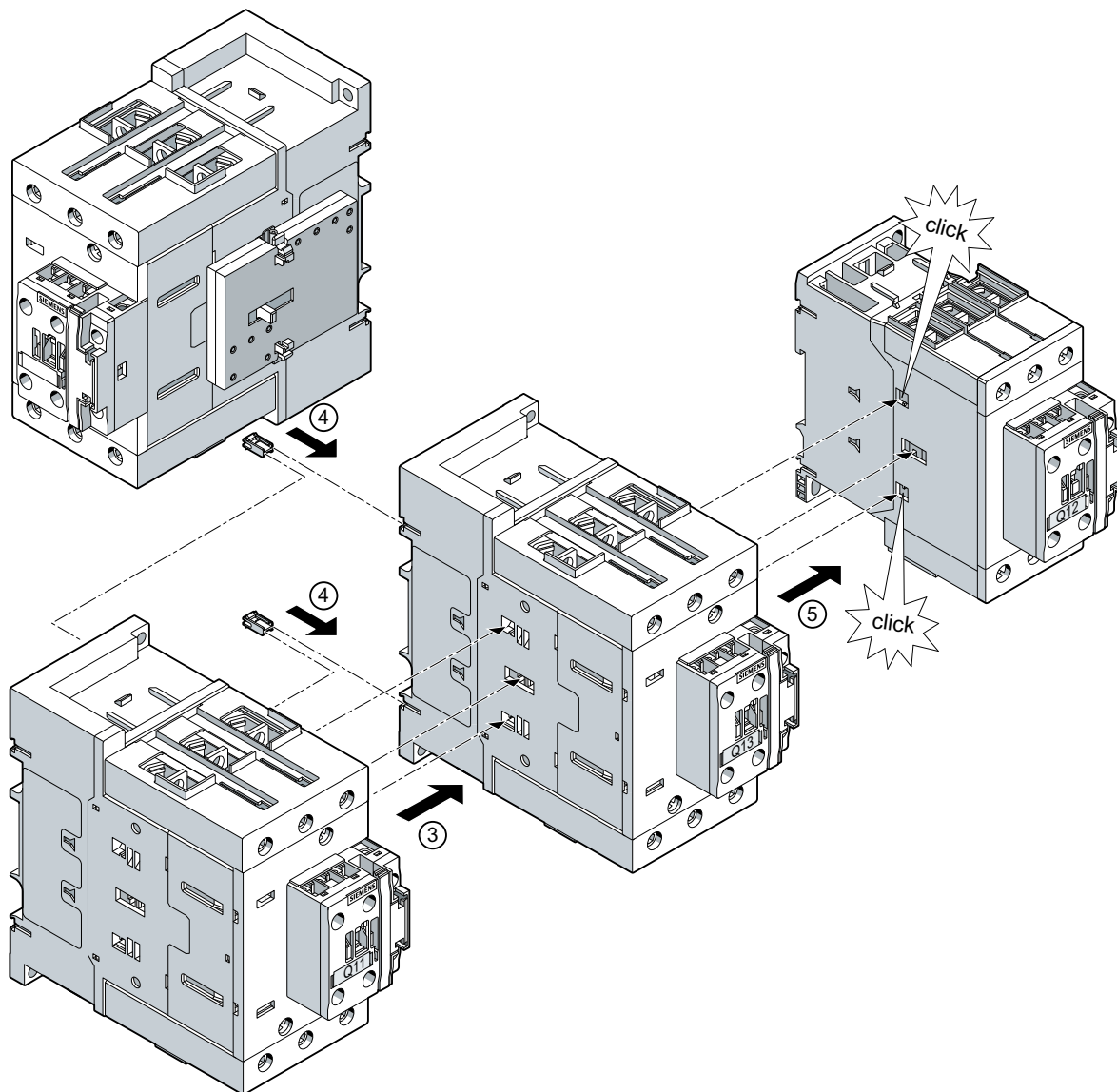
This arrangement applies for all installation instructions described in this chapter.

Mounting the contactor assembly for star-delta (wye-delta) start with screw-type connection system - size S3-S3-S2



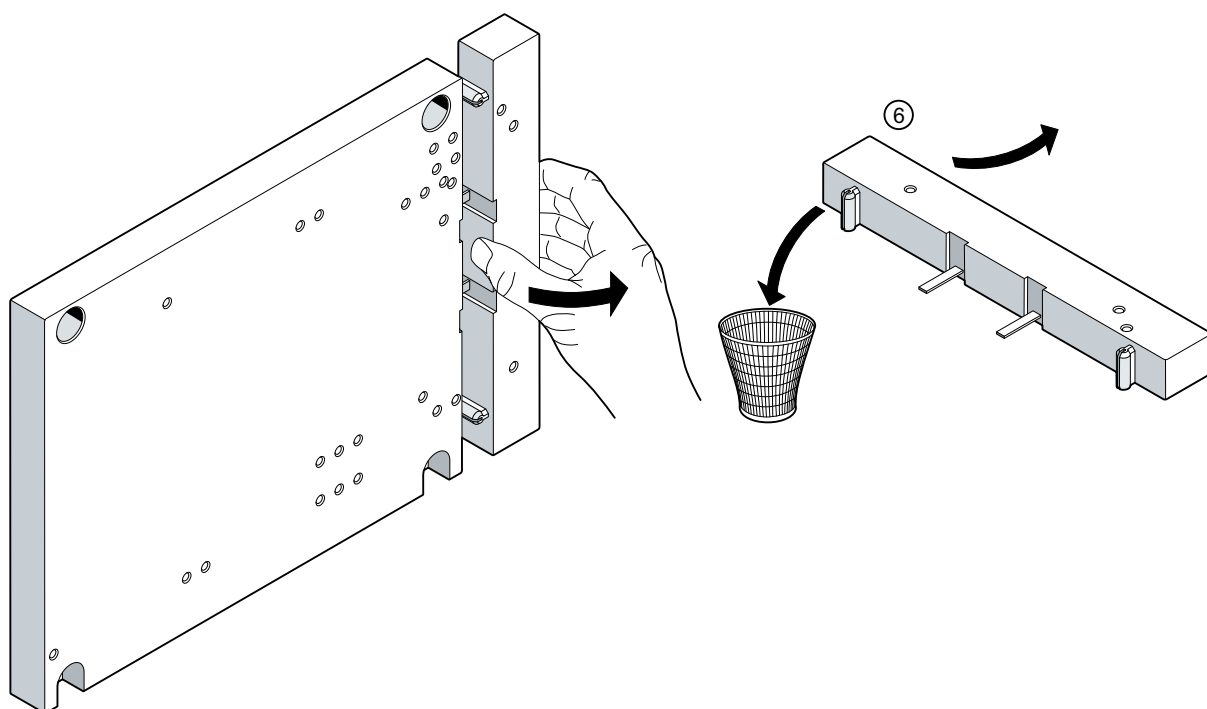
- ①/② Insert the mechanical interlock (3RA2934-2B) into the opening on the right-hand side of contactor Q13.
Optional component A (mechanical interlock) is mandatory for mechanical interlocking.

9.31 Assembly kit for contactor assemblies for star-delta (wye-delta) start (sizes S00 to S3)



- ③ Connect contactors Q11 and Q13 together.
- ④ Insert the connection clips into the openings on contactors Q11 and Q13.
- ⑤ Connect contactors Q13 and Q12 together.

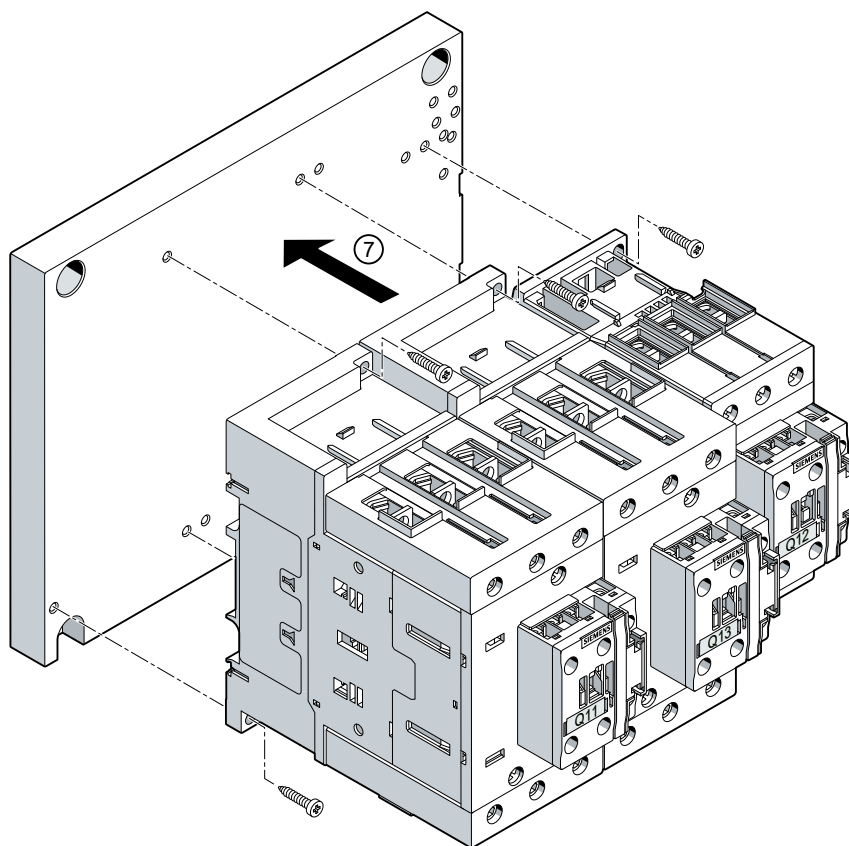
9.31 Assembly kit for contactor assemblies for star-delta (wye-delta) start (sizes S00 to S3)



⑥

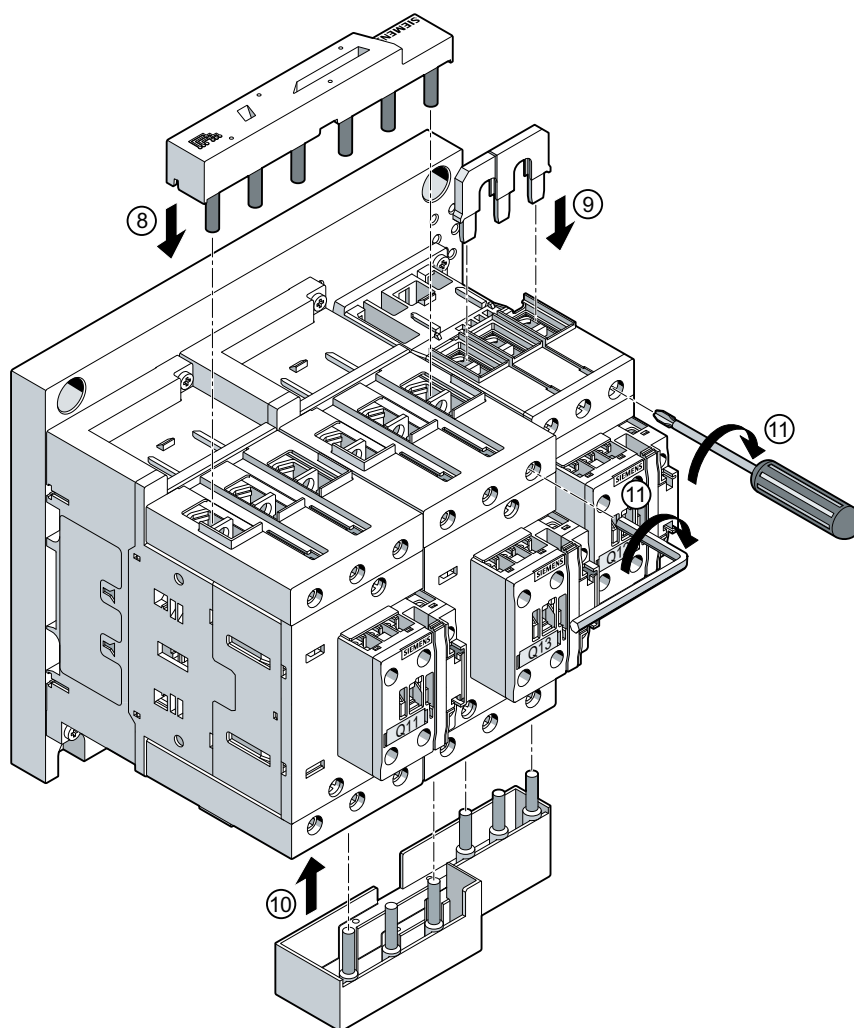
When using the mounting plate (for S2 3RA2932-2F; for S3 3RA2942-2F), you must remove its side section.
(Note: The side section is required when mounting the 3RP25 or 3RP15 timing relay.)

9.31 Assembly kit for contactor assemblies for star-delta (wye-delta) start (sizes S00 to S3)



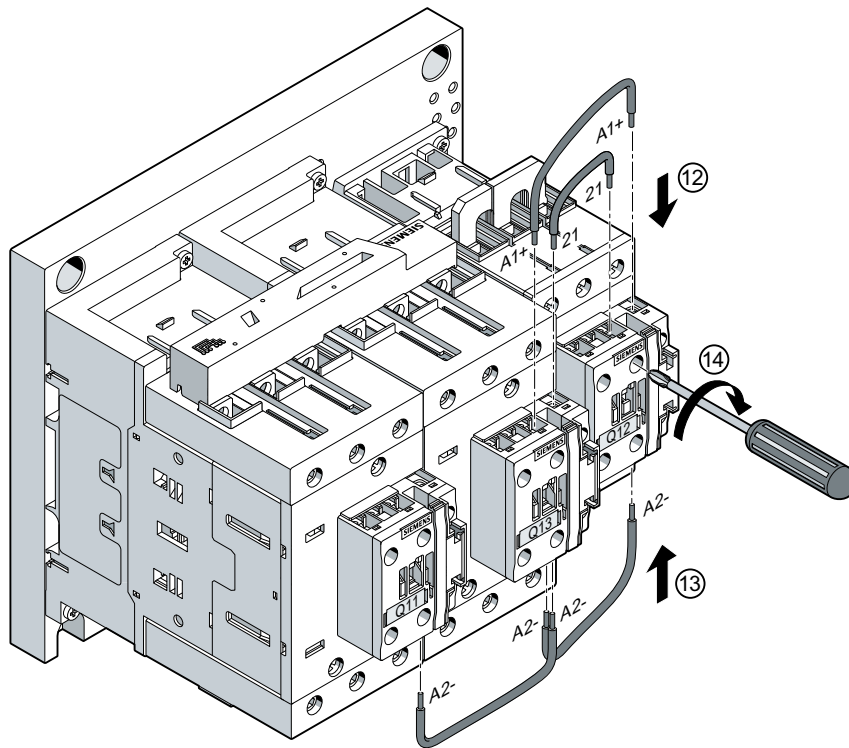
- ⑦ Mount the contactors on the mounting plate.
Screws: 6 x M6
Tightening torque: 1.6 Nm

9.31 Assembly kit for contactor assemblies for star-delta (wye-delta) start (sizes S00 to S3)



- ⑧ Attach the wiring module for connecting the main current paths to contactors Q11 and Q13 from above.
- ⑨ Attach the neutral bridge to contactor Q12 from above.
- ⑩ Attach the wiring module for connecting the main current paths to contactors Q13 and Q12 from below.
- ⑪ Screw the wiring modules in place.

9.31 Assembly kit for contactor assemblies for star-delta (wye-delta) start (sizes S00 to S3)



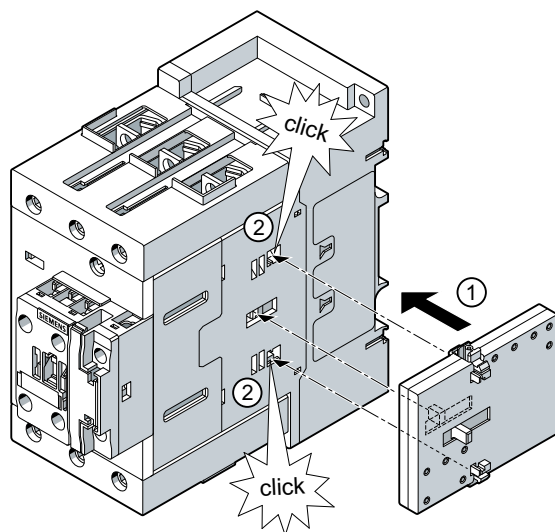
⑫/⑬

To connect the control current paths, push the conductors into the contactor terminals.
To connect the coil contacts, push the conductors into the contactor terminals.

⑭

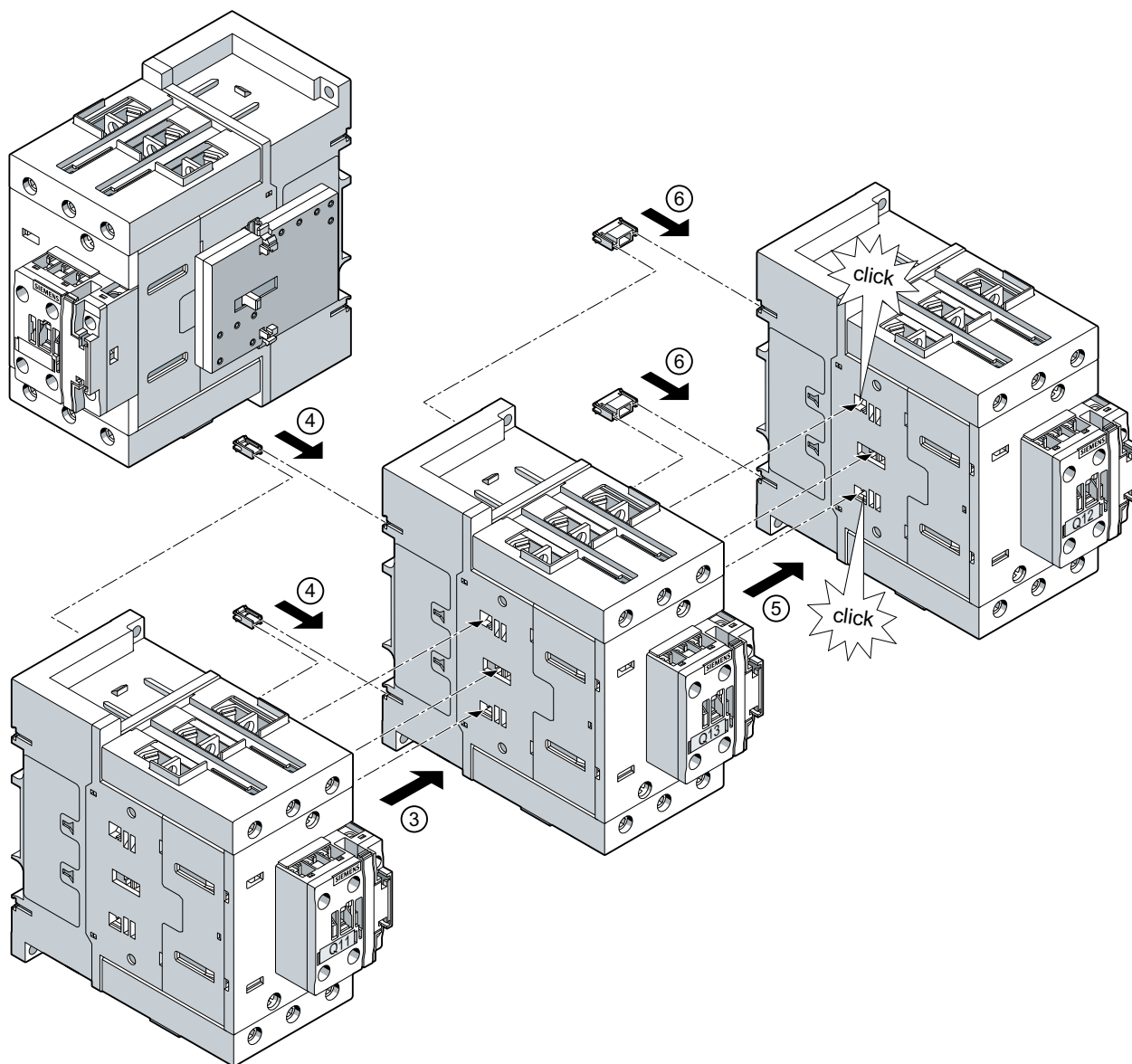
Screw the terminals tight with a screwdriver.

Mounting the contactor assembly for star-delta (wye-delta) start with screw-type connection system - size S3-S3-S3



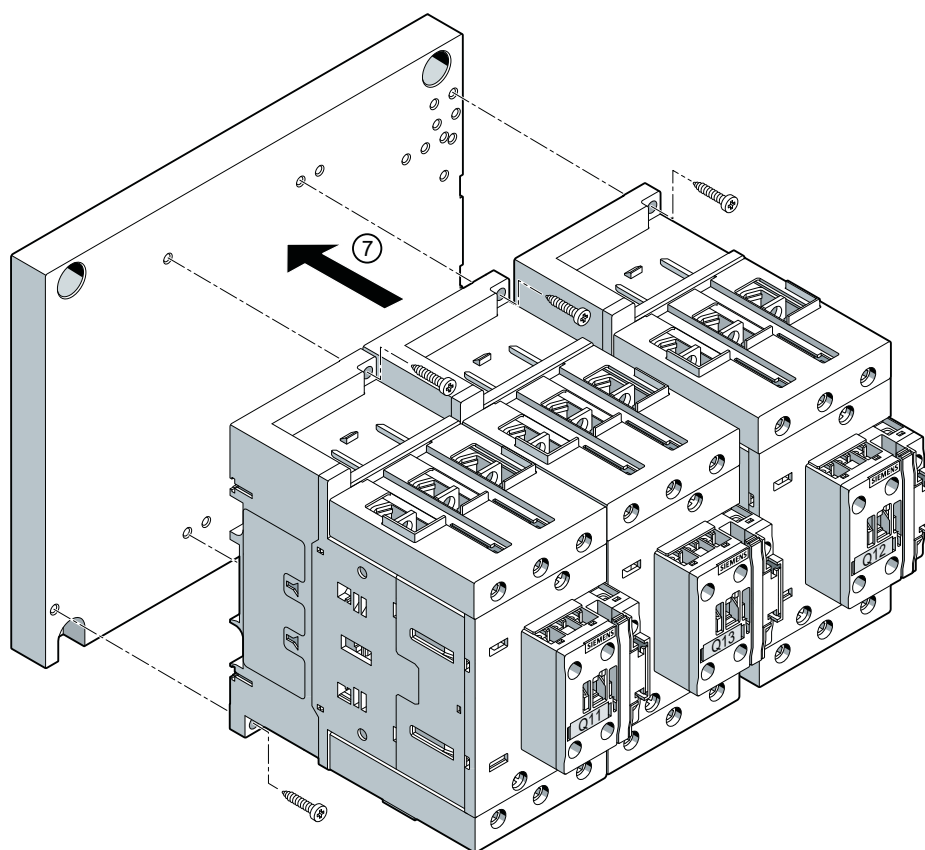
- ①/② Insert the mechanical interlock (3RA2934-2B) into the opening on the right-hand side of contactor Q13.
Optional component A (mechanical interlock) is mandatory for mechanical interlocking.

9.31 Assembly kit for contactor assemblies for star-delta (wye-delta) start (sizes S00 to S3)



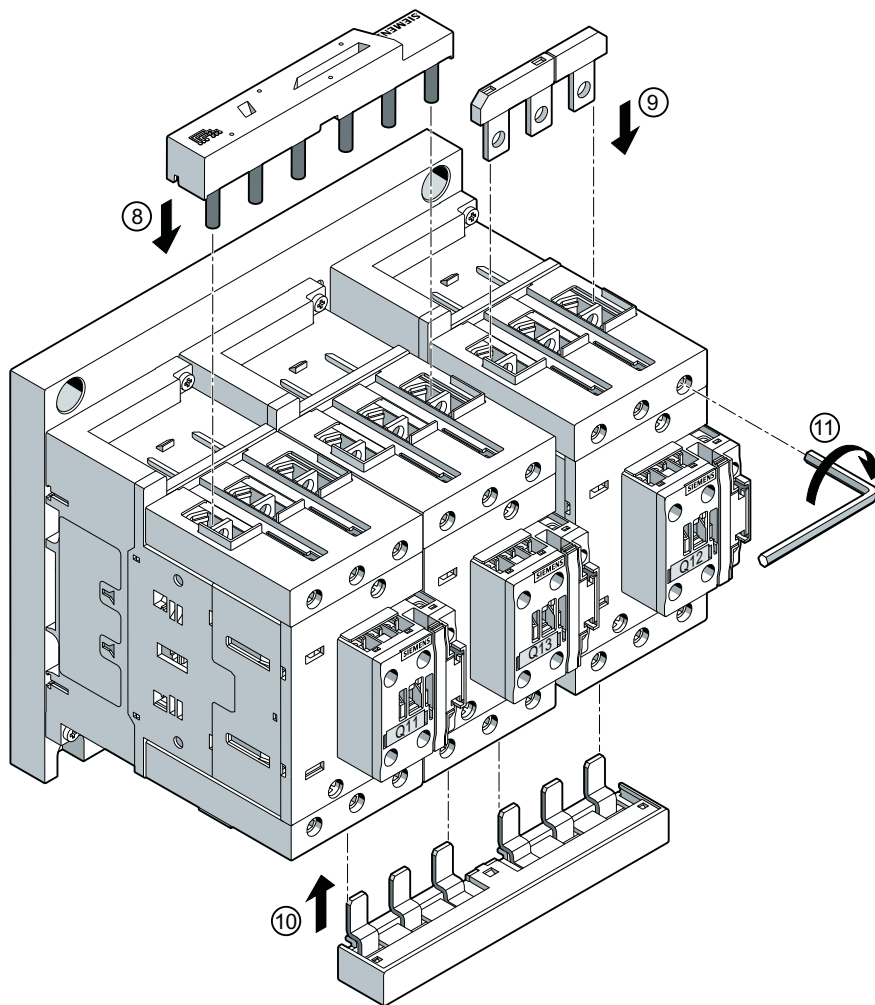
- ③ Connect contactors Q11 and Q13 together.
- ④ Insert the connection clips into the openings on contactors Q11 and Q13.
- ⑤ Connect contactors Q13 and Q12 together.
- ⑥ Insert the connection clips into the openings on contactors Q13 and Q12.

9.31 Assembly kit for contactor assemblies for star-delta (wye-delta) start (sizes S00 to S3)



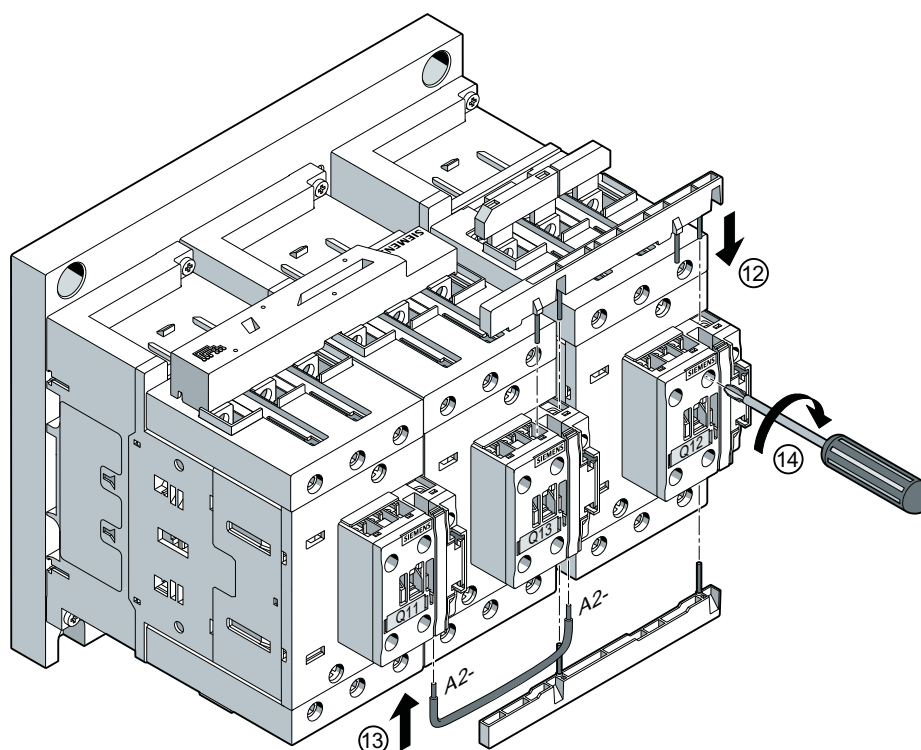
- ⑦ Mount the contactors on the mounting plate.
Screws: 6 x M6
Tightening torque: 1.6 Nm

9.31 Assembly kit for contactor assemblies for star-delta (wye-delta) start (sizes S00 to S3)



- ⑧ Attach the wiring module for connecting the main current paths to contactors Q11 and Q13 from above.
You can use 3 x the 1-phase infeed terminal optionally for size S3.
- ⑨ Attach the neutral bridge to contactor Q12 from above.
- ⑩ Attach the wiring module for connecting the main current paths to contactors Q13 and Q12 from below.
- ⑪ Screw the terminals tight with a screwdriver.

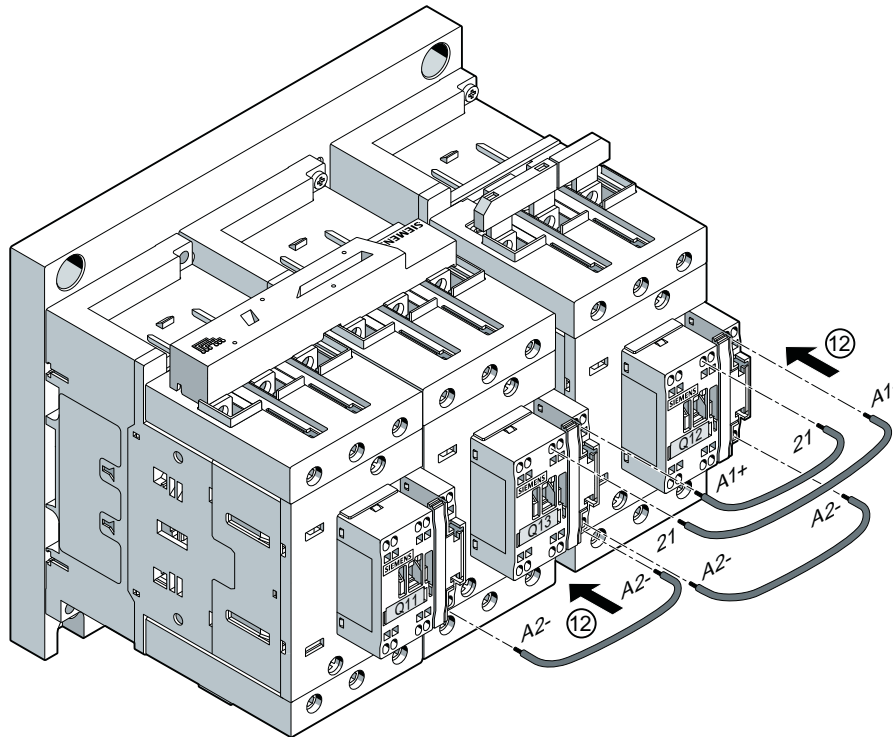
9.31 Assembly kit for contactor assemblies for star-delta (wye-delta) start (sizes S00 to S3)



- ⑫ Attach the wiring module for connecting the control current paths to contactors Q13 and Q12 from above.
- ⑬ Attach the wiring module for connecting the control current paths to contactors Q13 and Q12 from below.
To connect the coil contacts, push the conductors into the terminals of contactors Q11 and Q13.
- ⑭ Screw the terminals tight with a screwdriver.

Mounting the contactor assembly for star-delta (wye-delta) start with spring-loaded connection - size S3-S3-S3

The mechanical interlock, the connecting clips and the wiring modules for connecting the main current paths are mounted (steps 1-11) in the same way as described for size S3-S3-S3 with screw-type connection system.



- ⑫ To connect the control current paths, push the conductor (e) into the contactor terminals.
To connect the coil contacts, push the conductors (e) into the contactor terminals.

9.32 Wiring kit for contactor assemblies for star-delta (wye-delta) start (sizes S6 to S12).

9.32.1 Description

The contactor assemblies for star-delta (wye-delta) start are available as kits for self-assembly.

The same accessories as for the basic units of the corresponding size can be used.

The kit for contactor assemblies for star-delta (wye-delta) start contains the following:

- Neutral bridges
- Wiring module on the bottom (wiring module on the top is not included in the scope of supply. A double infeed between the line contactor and the delta contactor is recommended.)

9.32 Wiring kit for contactor assemblies for star-delta (wye-delta) start (sizes S6 to S12).

Article numbers:

- S6-S6-S6: 3RA1953-2B
- S6-S6-S6: 3RA1953-2N
- S10-S10-S10: 3RA1963-2B
- S12-S12-S12: 3RA1973-2B

The following accessories for the basic units can also be used for the contactor assemblies for star-delta (wye-delta) starting:

- Auxiliary switch (on the front/side)
- Surge suppressors
- Solid-state time-delay auxiliary switches with star-delta (wye-delta) function (time relay)

In addition, special accessories are available for the contactor assemblies for star-delta (wye-delta) start:

- Neutral bridges (parallel connectors)
 - S6 (article number: 3RT1956-4BA31)
 - S10, S12 (article number: 3RT1966-4BA31)
- Mechanical connector (article number: 3RA1932-2D)
- Wiring modules
 - S6 (article number: 3RA1953-3D)
- Base plates for contactor assemblies for star-delta (wye-delta) start
 - S6-S6-S3: (Article number: 3RA1952-2E)
 - S6-S6-S6: (Article number: 3RA1952-2F)
 - S10-S10-S6: (Article number: 3RA1962-2E)
 - S10-S10-S10: (Article number: 3RA1962-2F)
 - S12-S12-S10: (Article number: 3RA1972-2E)
 - S12-S12-S12: (Article number: 3RA1972-2F)

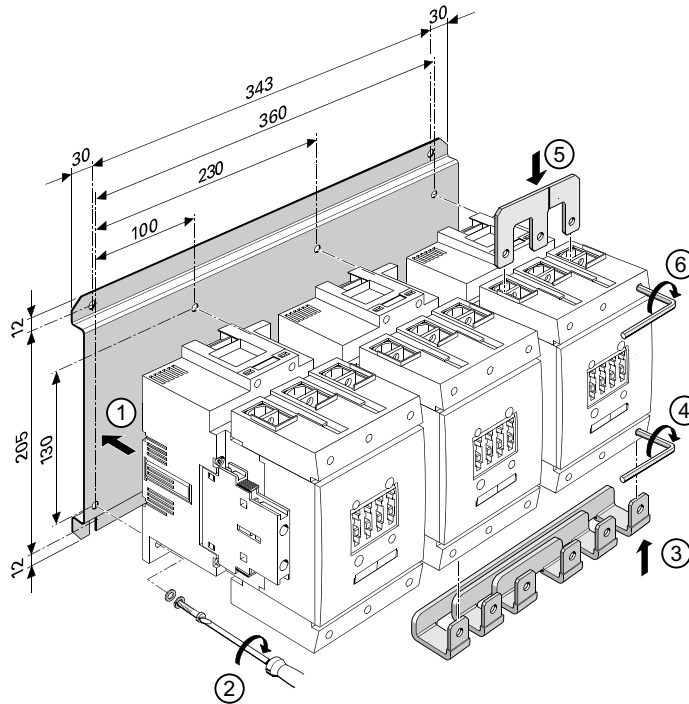
9.32.2 Mounting size S6

The contactor assemblies for star-delta (wye-delta) start can be built from contactors with screw connections or spring-loaded connections:

- Line contactor (Q11): Left
- Delta contactor (Q13): Center
- Star contactor (Q12): Right

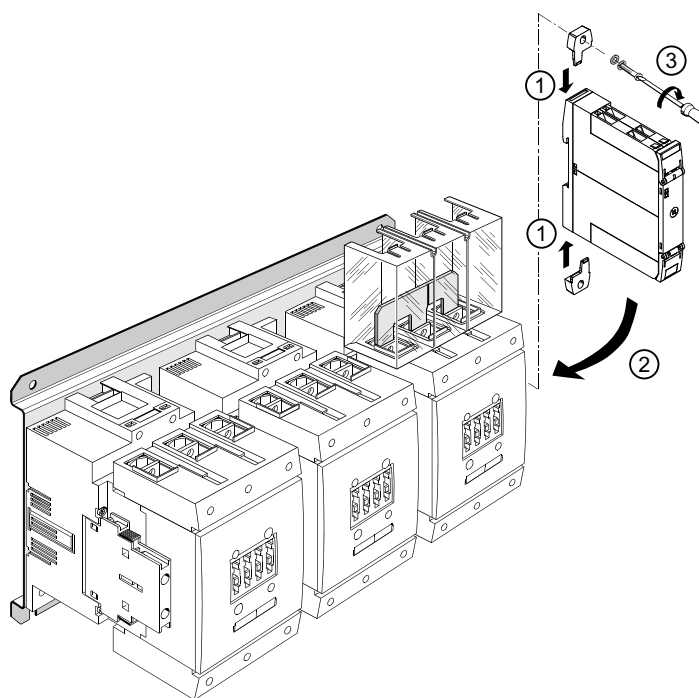
This arrangement applies for all installation instructions described in this chapter.

Mounting the contactor assembly for star-delta (wye-delta) start - size S6-S6-S6



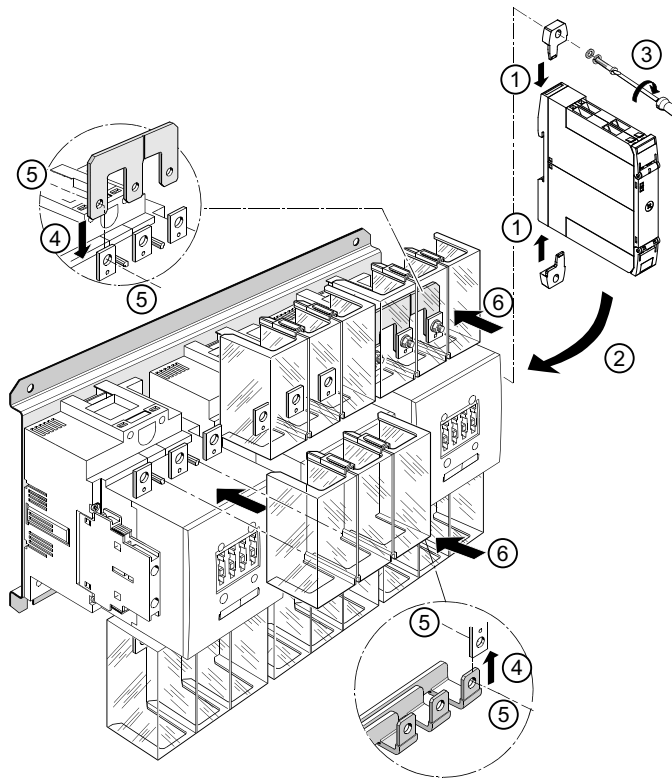
- ①/② Mounting the contactor assembly for star-delta (wye-delta) start on a base plate.
Screws: M6 (6 x)
- ③ Attach the lower wiring module.
- ④ Tighten the main terminals.
- ⑤ Attach the neutral bridge.
- ⑥ Tighten the main terminals.

9.32 Wiring kit for contactor assemblies for star-delta (wye-delta) start (sizes S6 to S12).



- ① Slide in the lugs for screw fastening on the timing relay.
- ②/③ Screw the timing relay tight onto the base plate.

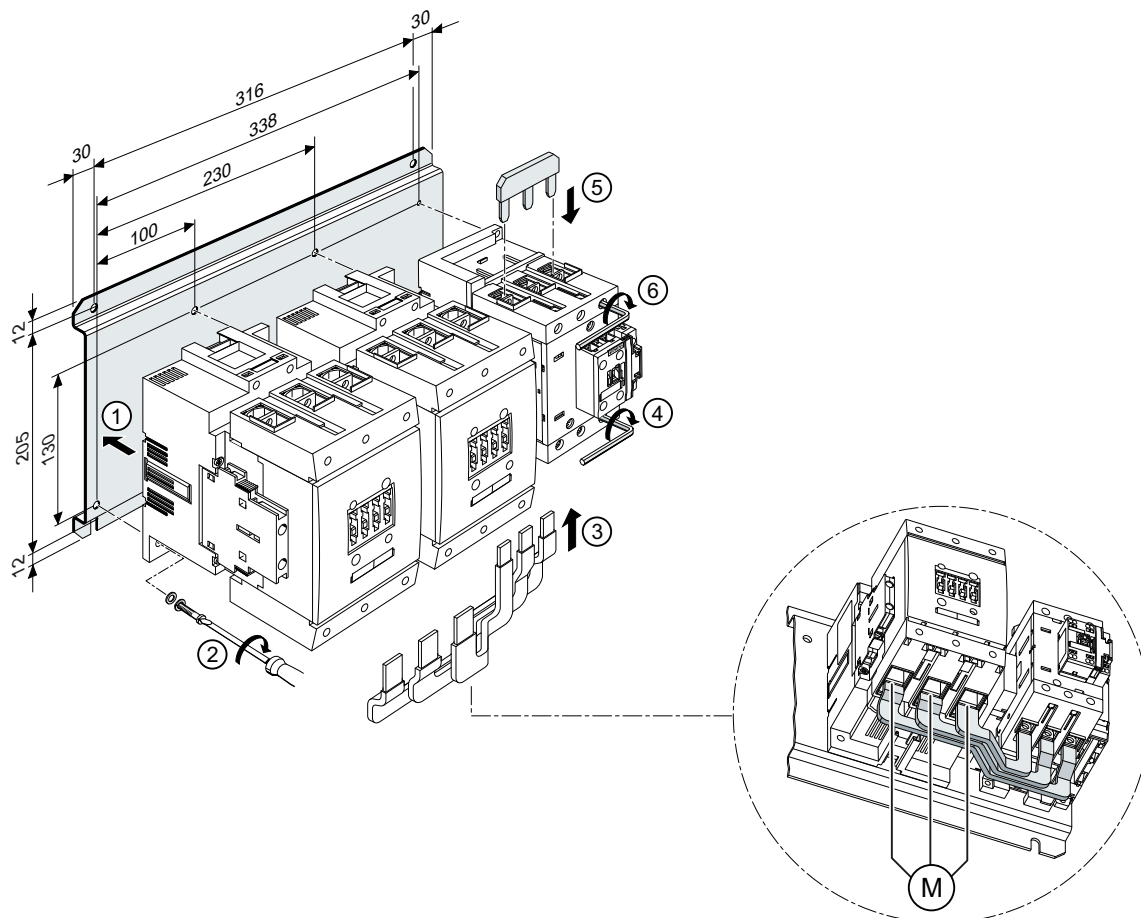
Mounting the contactor assembly for star-delta (wye-delta) start - size S6-S6-S6 without box terminal block



- ① Slide in the lugs for screw fastening on the timing relay.
- ②/③ Screw the timing relay tight onto the base plate.
- ④/⑤ Screw the lower wiring module and the neutral bridge onto the top of the connecting bars.
- ⑥ Slide the terminal covers on.

9.32 Wiring kit for contactor assemblies for star-delta (wye-delta) start (sizes S6 to S12).

Mounting the contactor assembly for star-delta (wye-delta) start - size S6-S6-S3



- ①/② Mounting the contactor assembly for star-delta (wye-delta) start on a base plate.
- ③ Attach the lower wiring module.
- ④ Tighten the main terminals.
- ⑤ Attach the neutral bridge.
- ⑥ Tighten the main terminals.

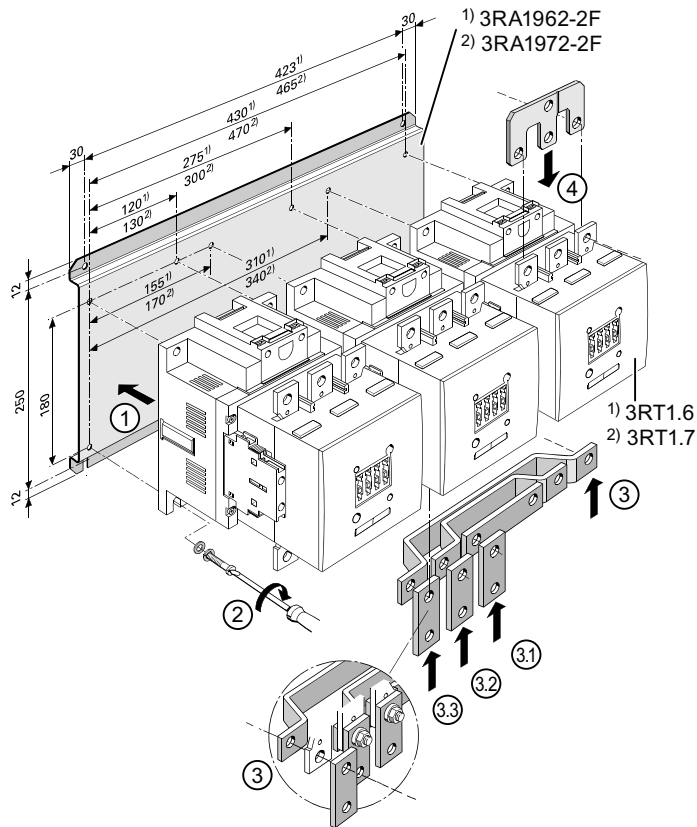
9.32.3 Mounting sizes S10 and S12

The contactor assemblies for star-delta (wye-delta) start can be built from contactors with screw connections or spring-loaded connections:

- Line contactor (Q11): Left
- Delta contactor (Q13): Center
- Star contactor (Q12): Right

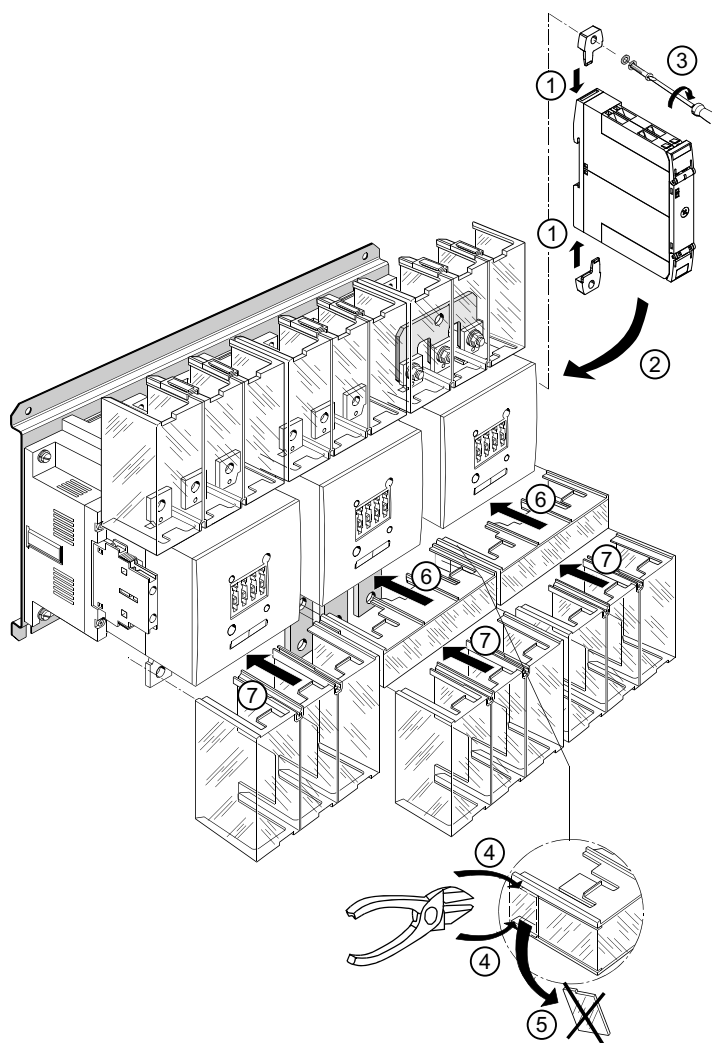
This arrangement applies for all installation instructions described in this chapter.

Mounting the contactor assembly for star-delta (wye-delta) start - size S10(S12)-S10(S12)-S10(S12)



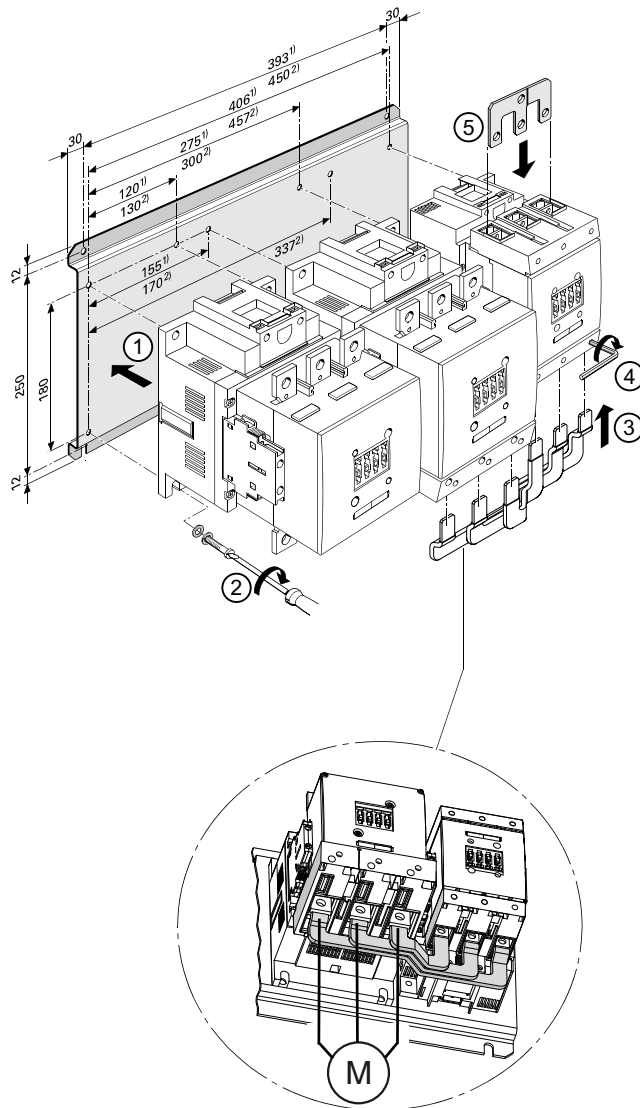
- ①/② Mounting the contactor assembly for star-delta (wye-delta) start on a base plate.
Screws: M8 (12 x)
- ③ Screw the lower wiring module onto the connection bars (3/3.1/3.2/3.3).
Screws: M10 x 35 (3 x)
- ④ Screw the neutral bridge onto the top of the connection bar.
Screws: M10 x 35 (3 x)

9.32 Wiring kit for contactor assemblies for star-delta (wye-delta) start (sizes S6 to S12).



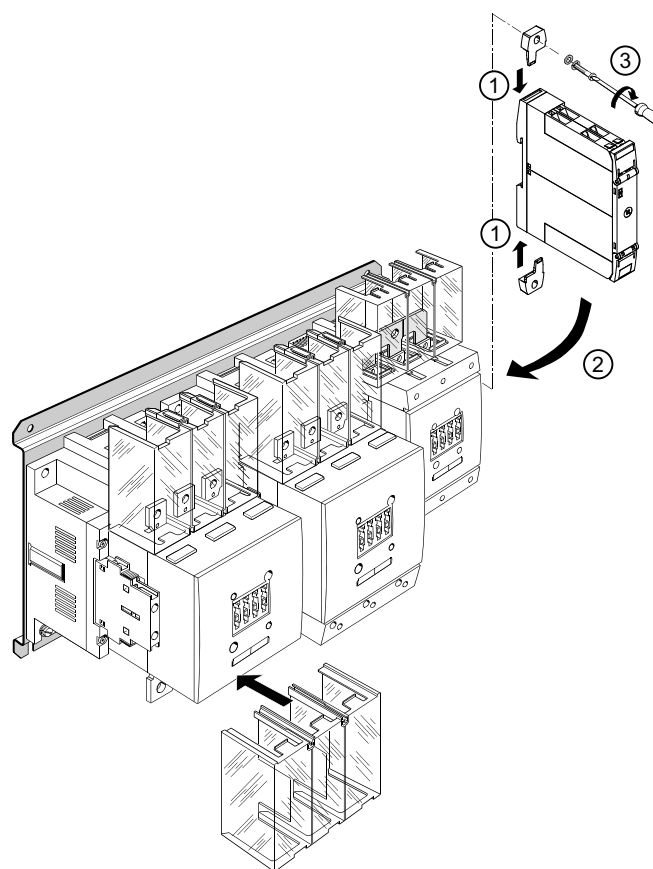
- ① Slide in the lugs for screw fastening on the timing relay.
- ②/③ Screw the timing relay tight onto the base plate.
- ④/⑤ Break off the extension tabs on the covers for the wiring block.
- ⑥/⑦ Slide the wiring module covers and the terminal covers open.

Mounting the contactor assembly for star-delta (wye-delta) start - size S10(S12)-S10(S12)-S6(S10)



- ①/② Mounting the contactor assembly for star-delta (wye-delta) start on a base plate.
- ③ Attach the lower wiring module.
- ④ Tighten the main terminals.
- ⑤ Attach the neutral bridge.
- ⑥ Tighten the main terminals.

9.32 Wiring kit for contactor assemblies for star-delta (wye-delta) start (sizes S6 to S12).



- ① Slide in the lugs for screw fastening on the timing relay.
- ②/③ Screw the timing relay tight onto the base plate.

9.33 Terminal cover for cable lug connection and busbar connection

9.33.1 Description

Terminal cover for cable lug connection and busbar connection

For 3RT contactors (size S3 to S10 / S12), there are terminal covers for cable lug connection and busbar connection.

For connection of conductors with cable lugs or terminal bars, the box terminal blocks of the devices can be detached. The terminal covers are available as touch protection and to ensure the necessary clearances and creepage distances when box terminal blocks have been removed.

Table 9-45 Terminal covers for cable lug connection and busbar connection -
For complying with the phase clearances and as touch protection if box terminal is removed

| Versions | Size | Required number | Function |
|--|-----------|--|--|
| Connection covers for cable lug connection and busbar connection | | Two covers are required per contactor (for the upper and lower main connections) | To maintain phase clearances above defined connection cross-sections, offers touch protection. |
| • 3RT1946-4EA1 | S3 | | |
| • 3RT1956-4EA1 | S6 | | |
| • 3RT1966-4EA1 | S10 / S12 | | |
| 3RT19.6-4EA3 busbar cover between contactor and 3RB20 overload relay (the 3RT1966-4EA3 for S10 and S12 serves simultaneously as an adapter for the 3RT1966-4EA1 terminal cover for contactor combinations) | S6 to S12 | 1 | Offers touch protection |

Table 9-46 Terminal covers for cable lug connection and busbar connection -
Busbar connection cover, can be screwed onto a free end of the busbar

| Size | Article number |
|-----------|----------------|
| S6 | 3TX6526-3B |
| S10 / S12 | 3TX6546-3B |

Table 9-47 Terminal covers for cable lug connection and busbar connection -
Busbar cover between the 3RT1 contactor and the 3RB2 overload relay
Busbar cover when installing contactor assemblies

| Size | Article number |
|-----------|----------------|
| S6 | 3RT1956-4EA3 |
| S10 / S12 | 3RT1966-4EA3 |

9.33 Terminal cover for cable lug connection and busbar connection

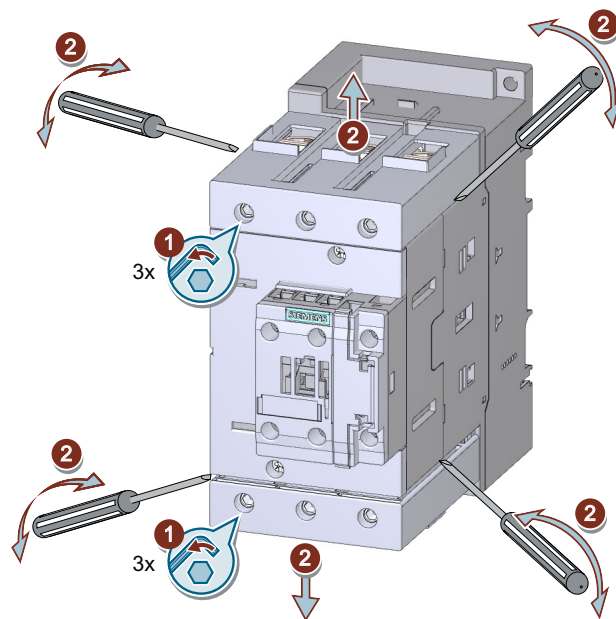
Table 9-48 Terminal covers for cable lug connection and busbar connection - Busbar cover of the flat cable connector when installing reversing contactor assemblies or contactor assemblies for star-delta (wye-delta) start

| Size | Article number |
|------|----------------|
| S6 | 3RT1956-4EA4 |

9.33.2 Mounting

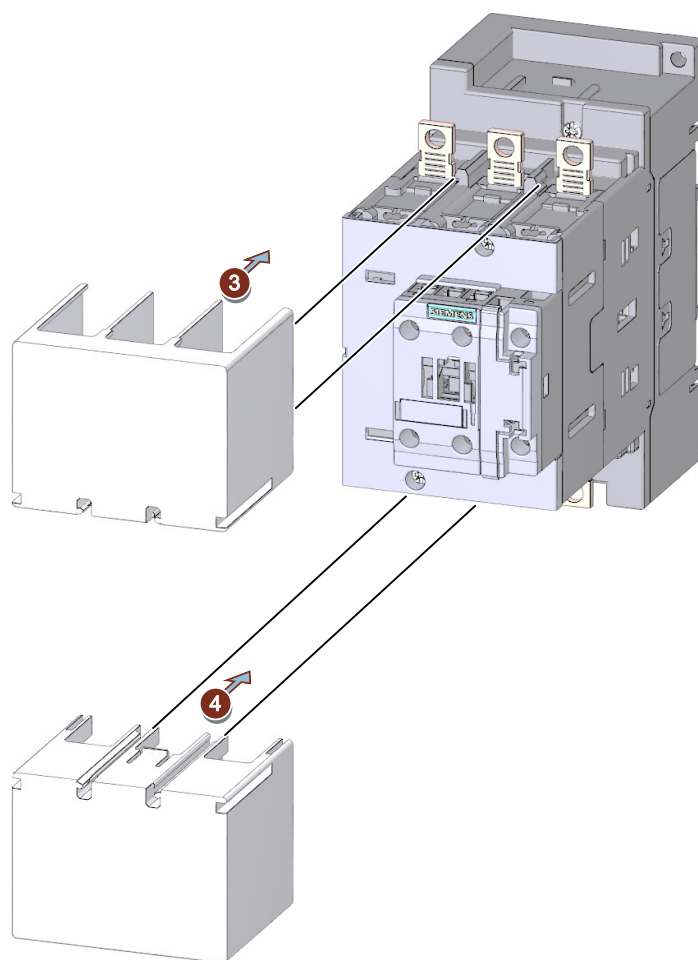
Mounting the terminal cover for cable lug connection and busbar connection

The diagram below uses the 3RT2.4 contactor size S3 as an example of mounting the 3RT1946-4EA1 terminal cover for cable lug connection and busbar connection.



- ① Open the screws on the box terminal block.
- ② Position the screwdriver, as shown in the figure, between the contactor and the removable box terminal block. Carefully lever the detachable box terminal block from the contactor.

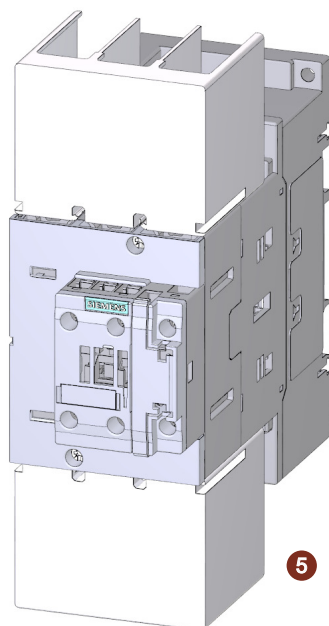
9.33 Terminal cover for cable lug connection and busbar connection



- ③/ ④ Slide the terminal cover for cable lug connection and busbar connection into the guide tabs provided for this on the contactor.

The terminal covers for cable lug connection and busbar connection on contactors of size S6 and S10 / S12 are mounted in the same way as described.

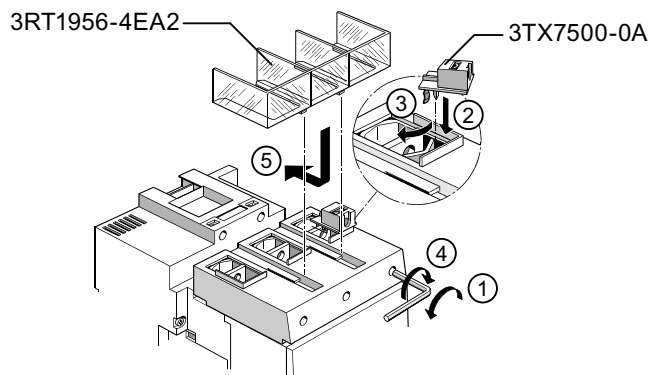
9.33 Terminal cover for cable lug connection and busbar connection



⑤ Cover ready-mounted

Mounting the 3RT19.6-4EA2 cover

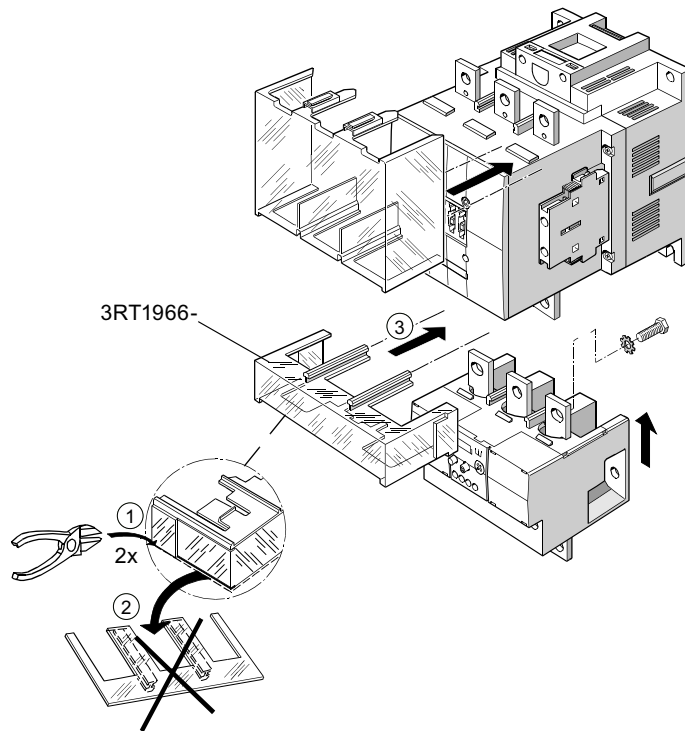
Suitable for sizes S6 to S12



- ① Open the screws on the box terminal block.
- ② Insert the auxiliary conductor connection for box terminals into the terminal.
- ③ Latch the auxiliary conductor connection for box terminals.
- ④ Tighten the screws on the box terminal block.
- ⑤ The terminal cover for box terminals is inserted into the guides on the box terminal block and pushed to the back until it engages.

Mounting the 3RT19.6-4EA3 cover

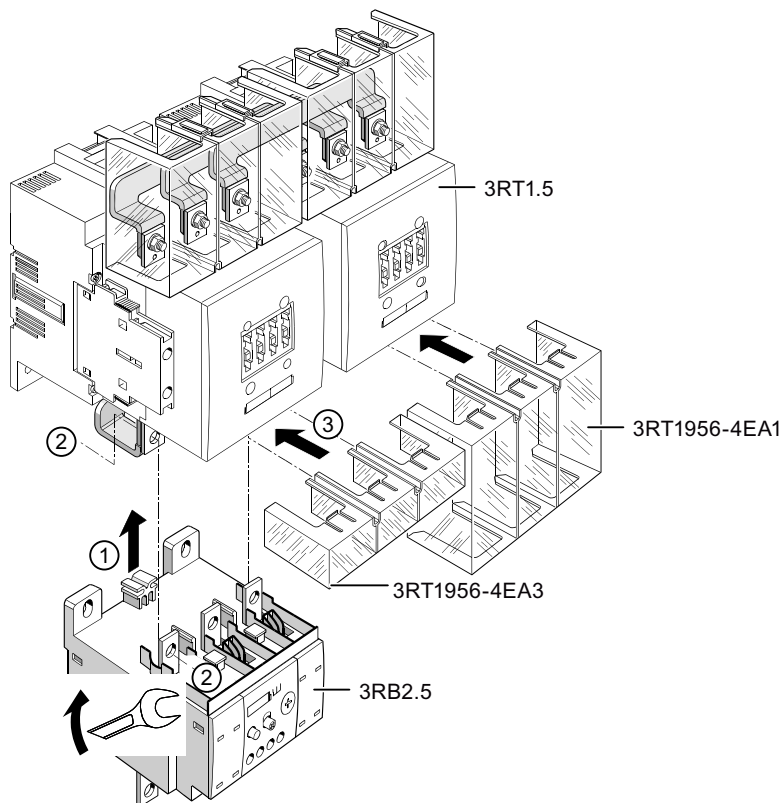
Suitable for sizes S6 to S12



- ①/② For S10 and S12: Shorten the 3RT1966-4EA3 cover before mounting (it serves simultaneously as an adapter for the 3RT1966-4EA1 terminal cover for contactor assemblies).
- ③ Slide the cover into the slots on the contactor.

Mounting the busbar cover between the 3RT1 contactor and the 3RB2 overload relay

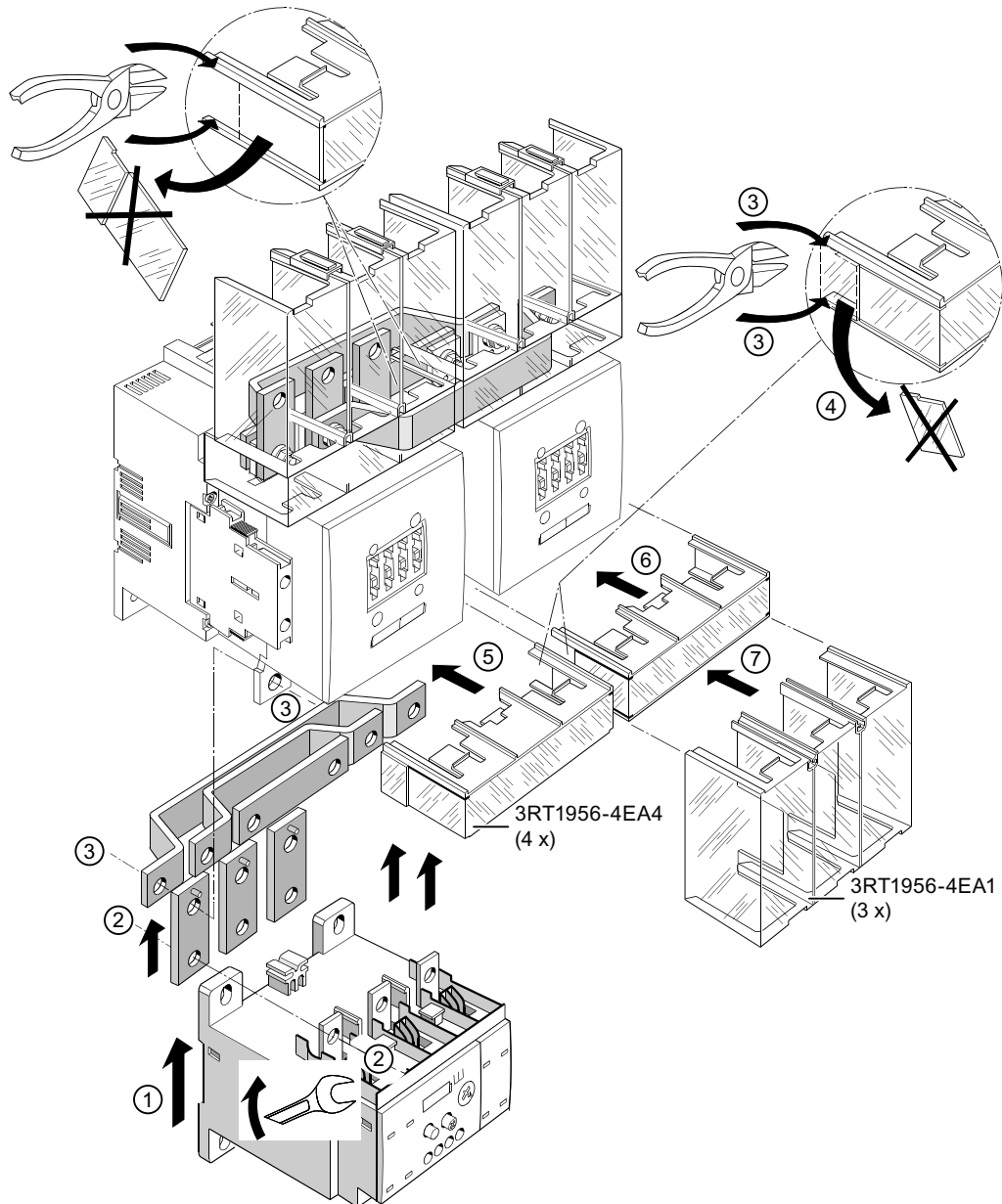
The diagram below uses the 3RT1.5 contactor and the 3RB2 overload relay in size S6 as an example of mounting the 3RT1956-4EA3 terminal cover for cable lug connection and busbar connection.



- ① Slide the electronic overload relay onto the contactor from below.
- ② Screw the electronic overload relay onto the contactor with the screws provided for this purpose.
- ③ As shown in the figure, slide the terminal covers for covering the busbars into the openings provided on the box terminal block of the electronic overload relay and on the contactor.

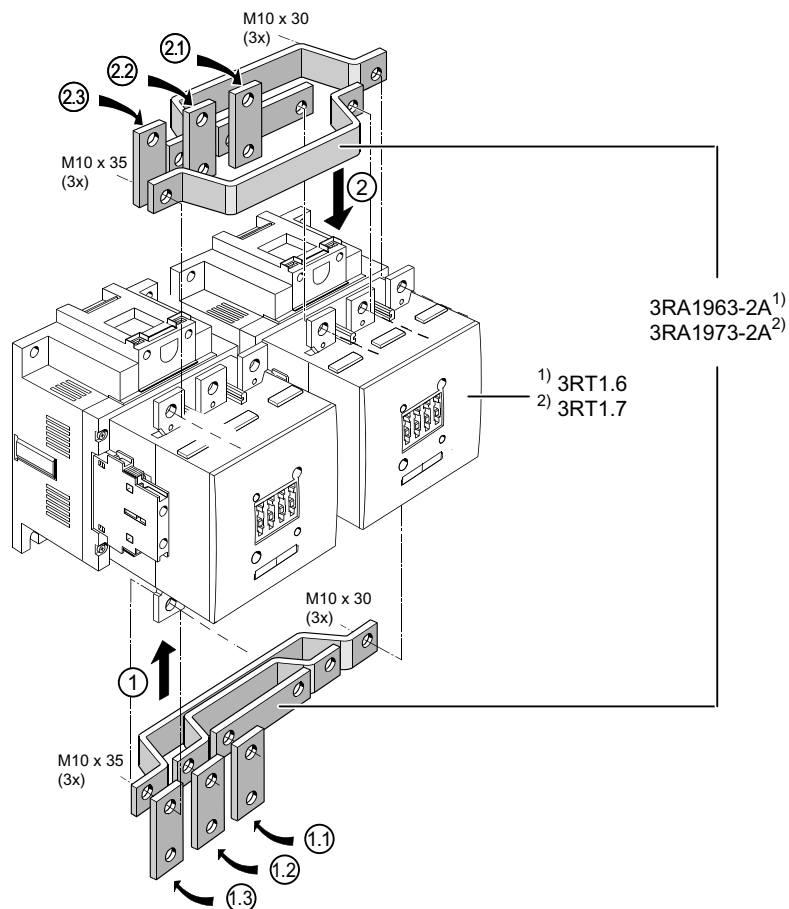
Mounting the busbar cover of the flat cable connector when installing reversing contactor assemblies or contactor assemblies for star-delta (wye-delta) start

The diagram below uses the 3RT1.5 contactor size S6 as an example of mounting the 3RT1956-4EA4 terminal cover for cable lug connection and busbar connection.



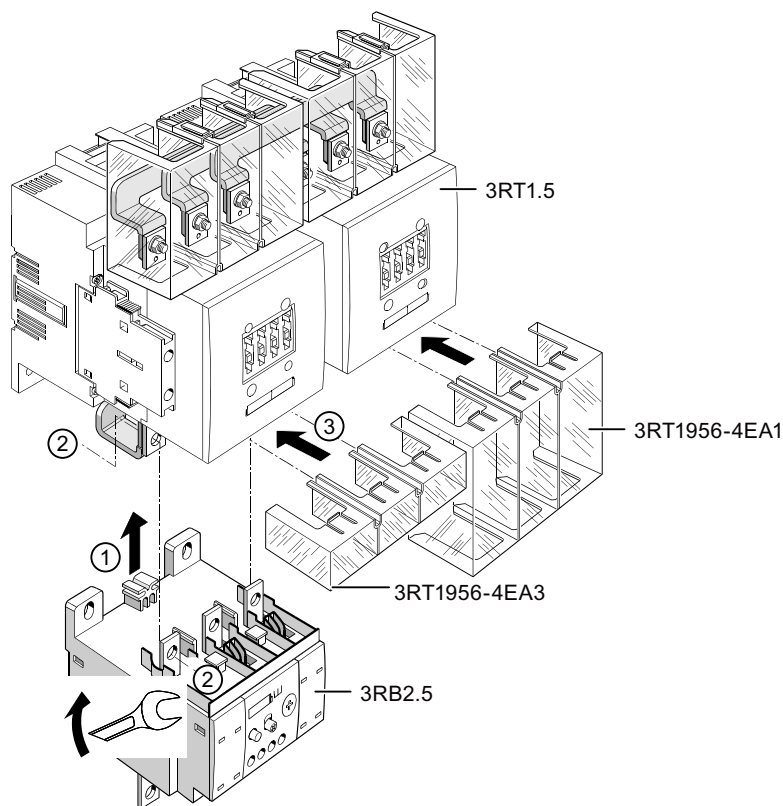
- ① Slide the electronic overload relay from below onto the wiring module for connection without box terminal block.
- ②/③ Slide the wiring modules for connection without box terminal block onto the contactors from below. Screw the wiring modules for connection without box terminal block onto the contactors using the screws provided for this purpose.
- ④
- ⑤/⑥/⑦ Mount the terminal covers (optional).

9.33 Terminal cover for cable lug connection and busbar connection



- ① Slide the wiring modules for connection without box terminal block onto the contactors from below.
Screw the wiring modules for connection without box terminal block onto the contactors using the screws provided for this purpose.
- ② Slide the wiring modules for connection without box terminal block onto the contactors from above.
Screw the wiring modules for connection without box terminal block onto the contactors using the screws provided for this purpose.

9.34 Terminal covers for box terminal block



- ① Slide the electronic overload relay onto the contactor from below.
- ② Screw the electronic overload relay onto the contactor with the screws provided for this purpose.
- ③ As shown in the figure, slide the terminal covers for covering the busbars into the openings provided on the box terminal block of the electronic overload relay and on the contactor.

9.34 Terminal covers for box terminal block

9.34.1 Description

Terminal covers for box terminal block

Terminal covers for box terminal blocks are available as additional touch protection for the 3RT contactors (sizes S2 to S12).

Table 9-49 Terminal covers for cable lug connection and busbar connection

| Size | Article number |
|------|----------------|
| S2 | 3RT2936-4EA2 |
| S3 | 3RT2946-4EA2 |

| Size | Article number |
|-----------|----------------|
| S6 | 3RT1956-4EA2 |
| S10 / S12 | 3RT1966-4EA2 |

Terminal covers for box terminal blocks are available as additional touch protection for the 4-pole 3RT233 / 3RT253 contactors (size S2) and 3RT234 / 3RT254 contactors (size S3).

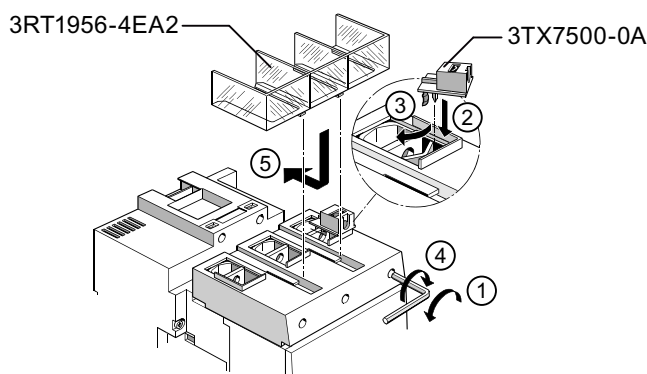
Table 9-50 Terminal covers for box terminal block

| Size | Article number |
|------|----------------|
| S2 | 3RT2936-4EA4 |
| S3 | 3RT2946-4EA4 |

9.34.2 Mounting

Mounting the terminal cover for the box terminal block

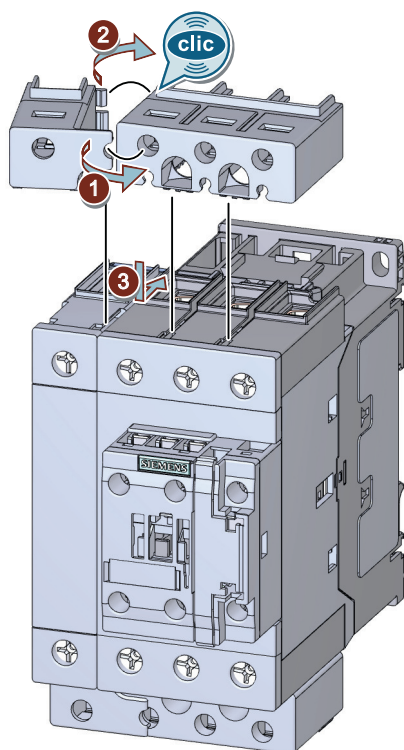
The diagram uses the 3RT1.5 contactor size S6 as an example of mounting the terminal cover for the box terminal block.



- ① Undo the screws on the main conductor terminals.
- ② Place the auxiliary conductor connection onto the box terminal block from above, as shown in the figure.
- ③ Slide the terminal cover into the opening provided on the box terminal block of the contactor.
- ④ Screw the main conductor terminals tight on the contactor.
- ⑤ Slide the terminal cover for the box terminal block into the openings provided on the box terminal block of the contactor.

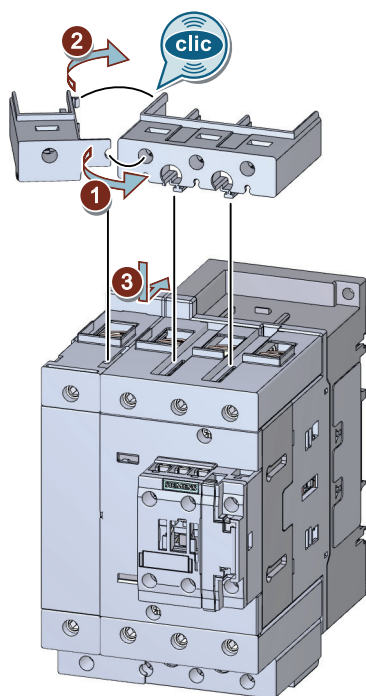
The following diagrams show the attachment of the terminal cover for box terminals to a 4-pole 3RT233 / 3RT253 contactor (size S2) and 3RT234 / 3RT254 contactor (size S3).

9.34 Terminal covers for box terminal block



- ① Insert the 1-pole terminal cover, as shown in the figure, into the 3-pole terminal cover.
- ② Snap the 1-pole terminal cover, as shown in the figure, into the 3-pole terminal cover until it engages.
- ③ Slide the mounted terminal cover into the openings provided on the box terminal block of the contactor.

Figure 9-22 Mounting of the terminal cover for 3RT2936-4EA4 box terminals to a 4-pole 3RT233 / 3RT253 contactor (size S2)



- ① Insert the 1-pole terminal cover, as shown in the figure, into the 3-pole terminal cover.
- ② Snap the 1-pole terminal cover, as shown in the figure, into the 3-pole terminal cover until it engages.
- ③ Slide the mounted terminal cover into the openings provided on the box terminal block of the contactor.

Figure 9-23 Mounting of the terminal cover for 3RT2946-4EA4 box terminals to a 4-pole 3RT234 / 3RT254 contactor (size S3)

9.35 Main current path surge attenuation module for vacuum contactors

9.35.1 Description

Main current path surge attenuation module for vacuum contactors

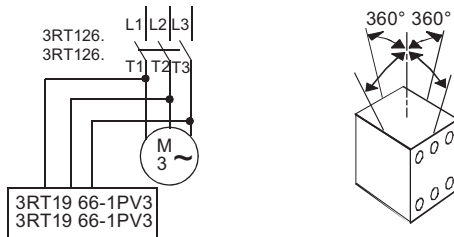
The main current path attenuation module is available for the following rated operational voltages:

- $U_e \leq 690$ V: 3RT1966-1PV3
- $U_e \leq 1000$ V: 3RT1966-1PV4

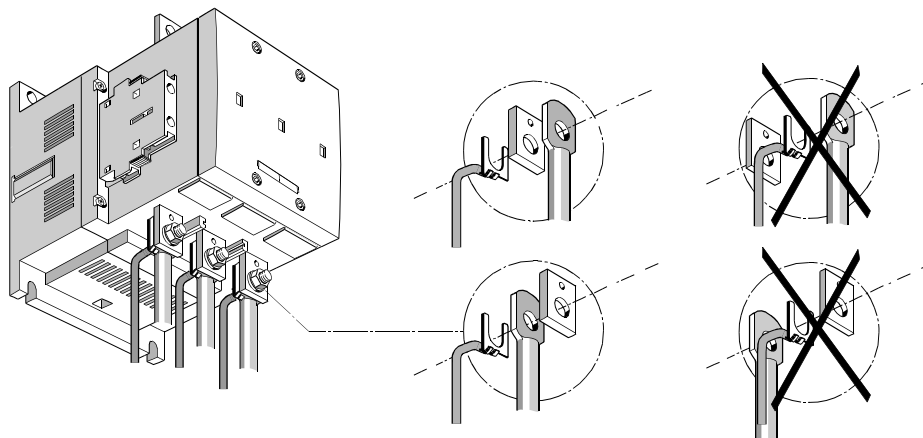
The main current path attenuation module is connected separately from the contactor over a cable length of approximately 35 cm on the outgoing terminal of the 2T1 / 4T2 / 6T3 contactor.

9.35.2 Mounting

Wiring diagram

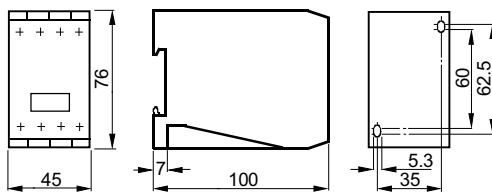


Cable connection main current path surge attenuation module

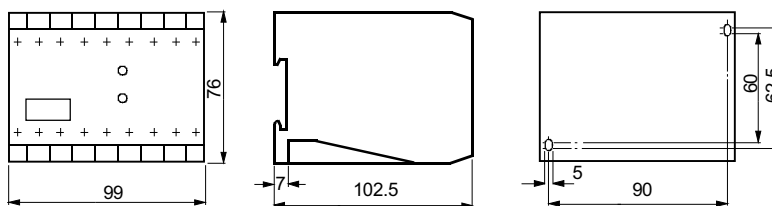


Dimensions

3RT1966-1PV3



3RT1966-1PV4



9.36 Box terminal block (size S6 to S12)

9.36.1 Description

Box terminal block

Box terminal blocks for round conductors and for ribbon cables are each available for the contactors (sizes S6 and S10 / S12).

On the box terminal blocks for size S6, the auxiliary conductor connections must be used additionally for voltage tapping for the 3TX7500-0A box terminal. The box terminal blocks for contactors of sizes S10 / 12 also have one auxiliary conductor connection per main conductor connection.

Table 9-51 Box terminal block

| Size | | Article number |
|-----------|---|----------------|
| S6 | Max. 70 mm ² ¹⁾ | 3RT1955-4G |
| | Max. 120 mm ² | 3RT1956-4G |
| | Auxiliary conductor connection for box terminals | 3TX7500-0A |
| S10 / S12 | Max. 240 mm ² | 3RT1966-4G |
| | Auxiliary conductor connection for box terminals integrated | |

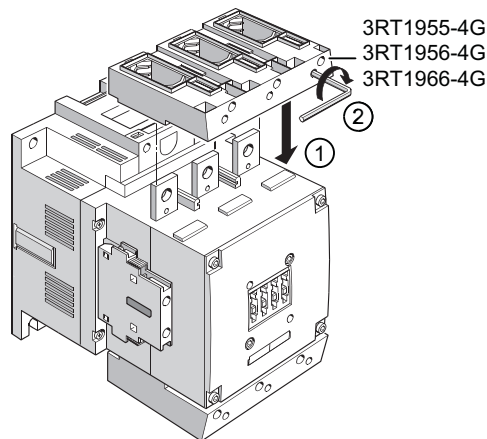
¹⁾ As standard on 3RT1054-1 contactor (55 kW).

9.36.2 Mounting

Mounting the box terminal block

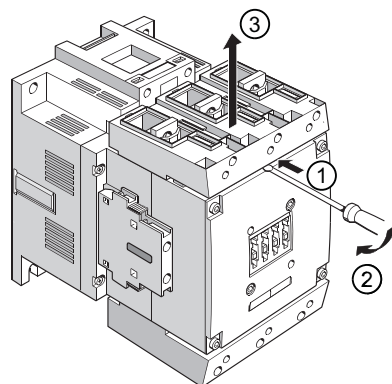
The following figures show how to mount and disassemble the box terminal block onto the 3RT1.6 / 3RT1.7 contactor in sizes S10 / S12.

Mounting the box terminal block on the 3RT1.5 / 3RT1.6 / 3RT1.7 contactor



- ① Mount the box terminal block on the contactor.
- ② Screw the box terminal block tight on the contactor. Check whether the box terminal block is fitted firmly.

Disassembling the box terminal block from the 3RT1.5 / 3RT1.6 / 3RT1.7 contactor



- ① Position the screwdriver in the middle of the contactor, as shown in the figure.
- ② Slightly lever open the box terminal block to dislodge it.
- ③ Detach the box terminal block from the contactor in the upward direction.

9.37 Solid-state time-delay auxiliary switches (size S6 to S12)

9.37.1 Description

The solid-state time-delay auxiliary switches sizes S6 to S12 have the following features:

- The solid-state time-delay auxiliary switch is supplied with power via two terminals (A1 / A2).
- The time delay of the solid-state time-delay auxiliary switch can be activated either by a parallel link to any contactor coil or by any power source.
- The OFF-delay version operates without an auxiliary voltage
- The minimum ON duration is 200 ms.
- A 1-pole auxiliary switch can be snapped onto the front of the contactor in addition to the solid-state time-delay auxiliary switch.
- The solid-state time-delay auxiliary switch has no integrated overvoltage attenuation for the connected contactor.

Versions

The following versions of the solid-state time-delay auxiliary switch are available:

- ON-delay
- OFF-delay without control signal
- Star-delta (wye-delta) function

Table 9-52 Versions of the solid-state time-delay auxiliary switch

| Function | Output | Rated control supply voltage U_s ¹⁾ | Adjustable time range | Article number |
|------------------------|-----------------------------|--|-----------------------|----------------|
| ON-delay ²⁾ | 1 NO contact + 1 NC contact | 24 ... 240 V AC/DC | 0.05 ... 1 | 3RT1926-2EJ11 |
| | | | 0.5 ... 10 | 3RT1926-2EJ21 |
| | | | 5 ... 100 | 3RT1926-2EJ31 |
| | | 100 ... 127 V AC | 0.05 ... 1 | 3RT1926-2EC11 |
| | | | 0.5 ... 10 | 3RT1926-2EC21 |
| | | | 5 ... 100 | 3RT1926-2EC31 |
| | | 200 ... 240 V AC | 0.05 ... 1 | 3RT1926-2ED11 |
| | | | 0.5 ... 10 | 3RT1926-2ED21 |
| | | | 5 ... 100 | 3RT1926-2ED31 |

9.37 Solid-state time-delay auxiliary switches (size S6 to S12)

| Function | Output | Rated control supply voltage U_s ¹⁾ | Adjustable time range | Article number |
|---|--|--|-----------------------|----------------|
| OFF-delay without control signal ²⁾³⁾ | 1 NO contact + 1 NC contact | 24 ... 240 V AC/DC | 0.05 ... 1 | 3RT1926-2FJ11 |
| | | | 0.5 ... 10 | 3RT1926-2FJ21 |
| | | | 5 ... 100 | 3RT1926-2FJ31 |
| | | 100 ... 127 V AC | 0.05 ... 1 | 3RT1926-2FK11 |
| | | | 0.5 ... 10 | 3RT1926-2FK21 |
| | | | 5 ... 100 | 3RT1926-2FK31 |
| | | 200 ... 240 V AC | 0.05 ... 1 | 3RT1926-2FL11 |
| | | | 0.5 ... 10 | 3RT1926-2FL21 |
| | | | 5 ... 100 | 3RT1926-2FL31 |
| Star-delta (wye-delta) function (varistor integrated) ²⁾ | 1 NO delayed + 1 NO instantaneous, dead time 50 ms | 24 V AC/DC | 1.5 ... 30 | 3RT1926-2GJ51 |
| | | 100 ... 127 V AC | | 3RT1926-2GC51 |
| | | 200 ... 240 V AC | | 3RT1926-2GD51 |

¹⁾ AC voltages are valid for 50 and 60 Hz.

²⁾ Terminals A1 and A2 for the control supply voltage of the solid-state time-delay auxiliary switch must be connected to the associated contactor by means of connecting cables.

³⁾ Setting of output contacts not defined in the as-supplied state (bistable relay). Application of the control supply voltage once results in contact changeover to the correct setting.

ON-delay and OFF-delay functions

The solid-state time-delay auxiliary switch in the "ON-delay" and "OFF-delay" versions has the following features:

- Allows time-delayed functions up to 100 s.
- 3 setting ranges
- Contains a relay with 1 NO contact + 1 NC contact; depending on the version, the relay is switched either after an ON-delay or after an OFF-delay.

Star-delta (wye-delta) function

The solid-state time-delay auxiliary switch with "star-delta (wye-delta)" function has the following features:

- It is equipped with one delayed and one instantaneous NO contact, with a dead time of 50 ms between the two.
- The delay time of the NO contact can be adjusted between 1.5 s and 30 s.
- The contactor on which the solid-state time-delay auxiliary switch is mounted operates without a delay.

Connection

The terminals A1 and A2 for the rated control supply voltage of the solid-state time-delay auxiliary switch are connected to the corresponding contactor by connecting cables.

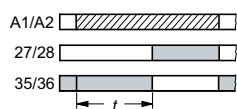
Terminal designation

Another auxiliary switch can be snapped onto the contactor beside the solid-state time-delay auxiliary switch.

The terminals of the delayed contacts are designated -5 / -6 (NC contactors) and -7 / -8 (NO contactors).

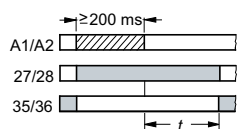
9.37.2 Configuration

Function charts



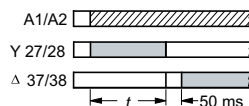
ON-delay

1 NO contact + 1 NC contact



OFF-delay without auxiliary voltage

1 NO contact + 1 NC contact



Star-delta (wye-delta) function

1 NO contact instantaneous

1 NC contact delayed

9.37.3 Mounting/Disassembly

The mounting / disassembly of a solid-state time-delay auxiliary switch on a contactor is similar to the mounting / disassembly of a front-mounted auxiliary switch.

Note

"OFF-delay without control signal" function

The setting of the output contacts is not defined in as-supplied state (bistable relay). Connect the control voltage and then disconnect it again to set the contacts to the normal position.

9.38 Bus connectors offset for 3RT136 and 3RT137 contactors (sizes S10 and S12)

9.38.1 Description

Bus connectors offset

Bus connectors offsets are available for 3RT13 contactors (sizes S10 and S12).

Table 9-53 Bus connectors offset

| Size | Article number |
|------|----------------|
| S10 | 3RT1966-4D |
| S12 | 3RT1976-4D |

Depending on the operational current, the following bus connectors offsets must be used:

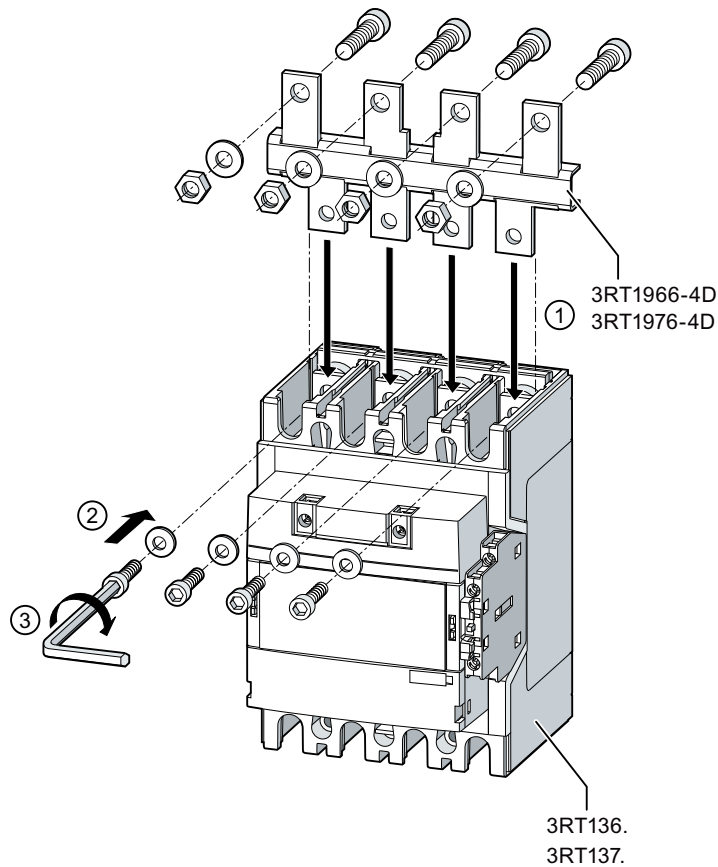
- 3RT1364: From 275 A, the 3RT1966-4D bus connectors offset must be used.
- 3RT1374 and 3RT1375: From 450 A, the 3RT1976-4D bus connectors offset must be used.

9.38.2 Mounting

Mounting the bus connectors offset

The following figure shows how to mount the 3RT1966-4D bus connectors offset on the 3RT136 contactor in size S10.

9.38 Bus connectors offset for 3RT136 and 3RT137 contactors (sizes S10 and S12)

Mounting of the bus connectors offset on the 3RT136 contactor

- ① Slide the bus connectors offset onto the busbar connection of the contactor from above.
- ② / ③ Screw the bus connectors offset tightly to the busbar connection using an Allen key.

Note

The procedure for mounting the 3RT1976-4D bus connectors offset on the 3RT137 contactor is identical.

9.39 Terminal cover for 3RT135, 3RT136 and 3RT137 contactors (sizes S6 to S12)

9.39.1 Description

Terminal cover

Terminal covers are available for 3RT13 contactors (sizes S6, S10 and S12).

Table 9-54 Terminal cover

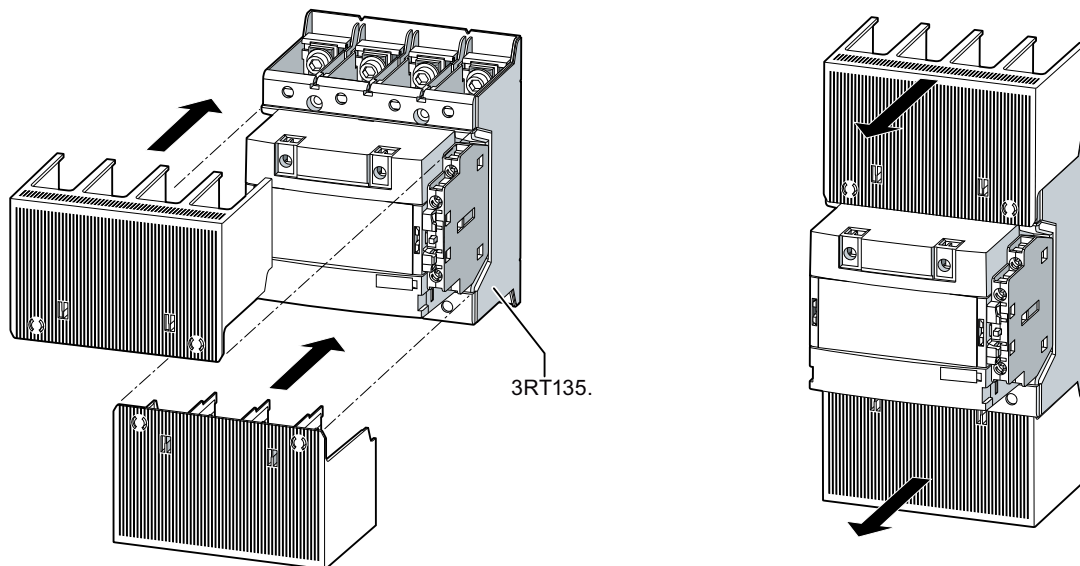
| Size | Article number |
|------|----------------|
| S6 | 3RT1956-4EB10 |
| S10 | 3RT1966-4EB10 |
| S12 | 3RT1976-4EB10 |

9.39.2 Mounting

Mounting the terminal cover

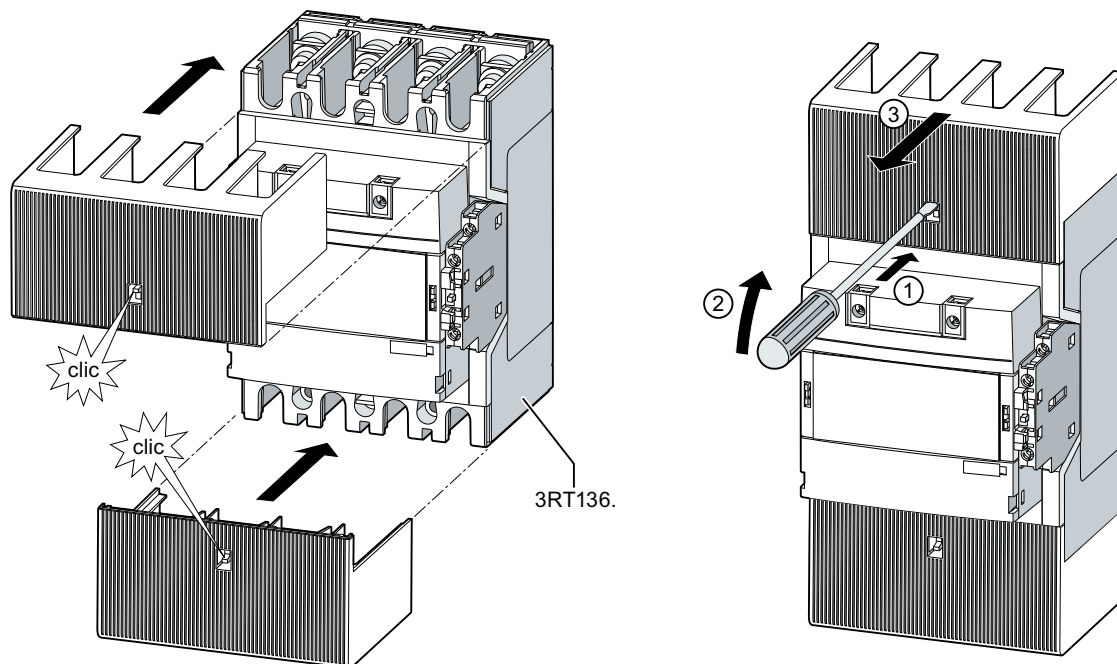
The following figures show how to mount the 3RT19.6-4EB10 terminal cover on the 3RT13 contactor.

Mounting / disassembling the 3RT1956-4EB10 terminal cover

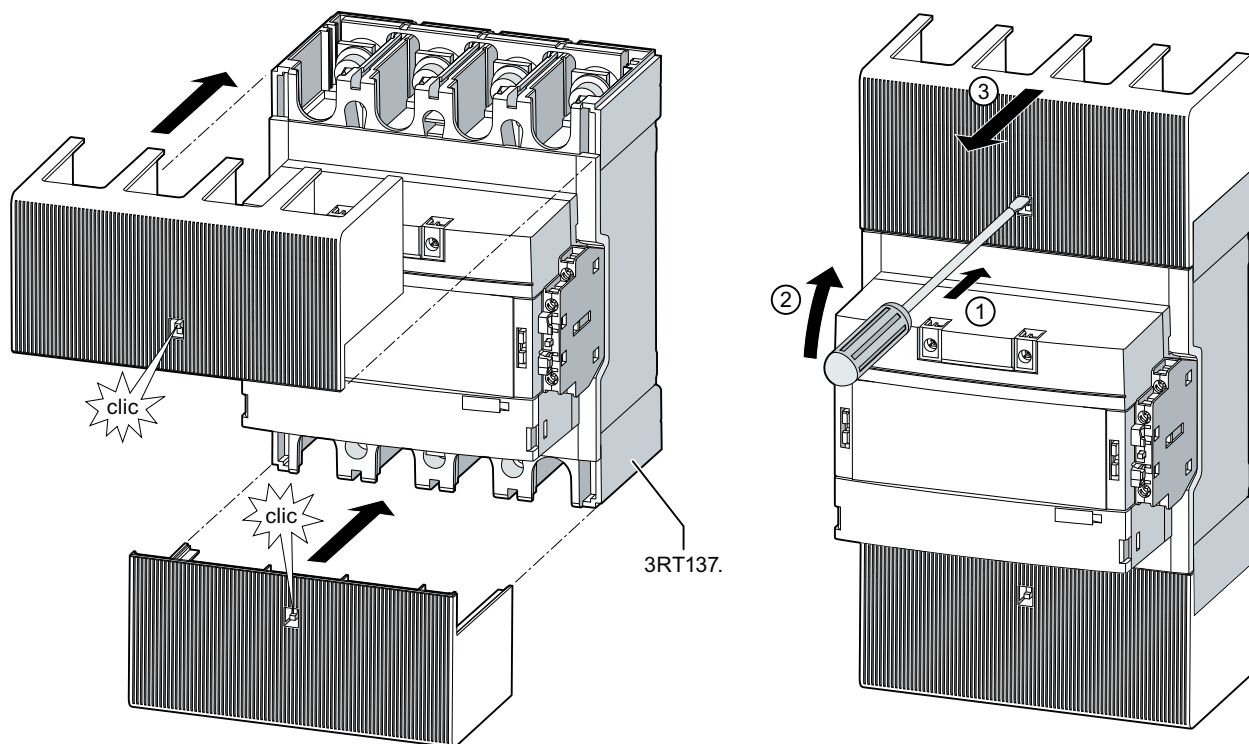


9.39 Terminal cover for 3RT135, 3RT136 and 3RT137 contactors (sizes S6 to S12)

Mounting / disassembling the 3RT1966-4EB10 terminal cover



Mounting / disassembling the 3RT1976-4EB10 terminal cover



9.40 Mechanical interlock for 3RT135, 3RT136 and 3RT137 contactors (sizes S6 to S12)

9.40.1 Description

Terminal cover

Mechanical interlocks are available for 3RT13 contactors (sizes S6, S10 and S12).

Table 9-55 Mechanical interlock

| Size | Article number |
|----------------|----------------|
| S6 / S10 / S12 | 3RA1954-3A |

Note

The assembly of two contactors of different sizes is not permitted.

9.40.2 Mounting

Mounting the mechanical interlock

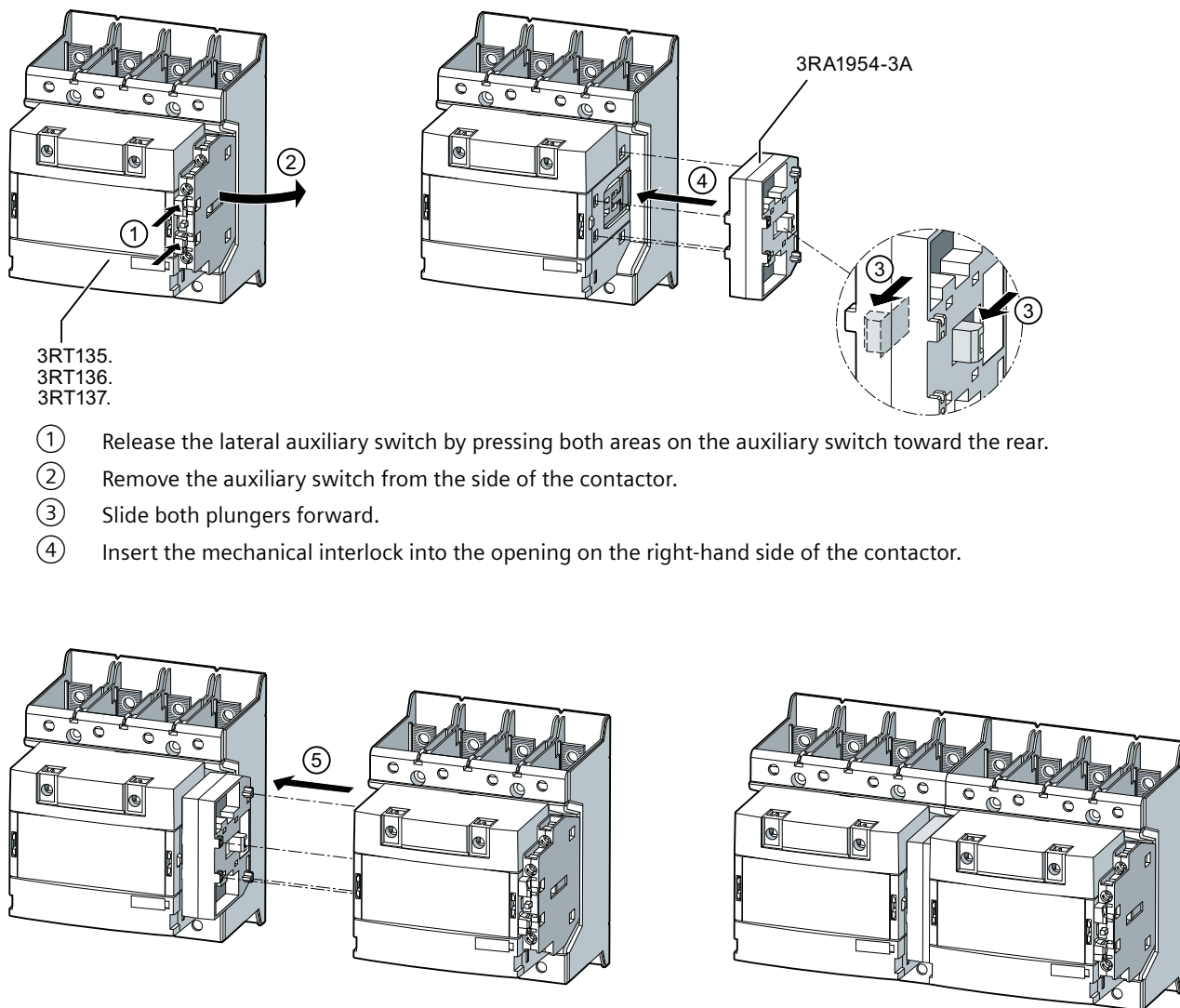
The following figures show examples of how to mount the 3RA1954-3A mechanical interlock on the 3RT135 contactors.

Note

The assembly of two contactors of different sizes is not permitted.

9.40 Mechanical interlock for 3RT135, 3RT136 and 3RT137 contactors (sizes S6 to S12)

Mounting / disassembling the 3RA1954-3A mechanical interlock



3RT135.
3RT136.
3RT137.

- ① Release the lateral auxiliary switch by pressing both areas on the auxiliary switch toward the rear.
- ② Remove the auxiliary switch from the side of the contactor.
- ③ Slide both plungers forward.
- ④ Insert the mechanical interlock into the opening on the right-hand side of the contactor.

- ⑤ Connect the contactors with each other.

9.41 Phase barrier for 3RT148 contactors

9.41.1 Description

Phase barrier

The following phase barriers are available for the 3RT148 contactors.

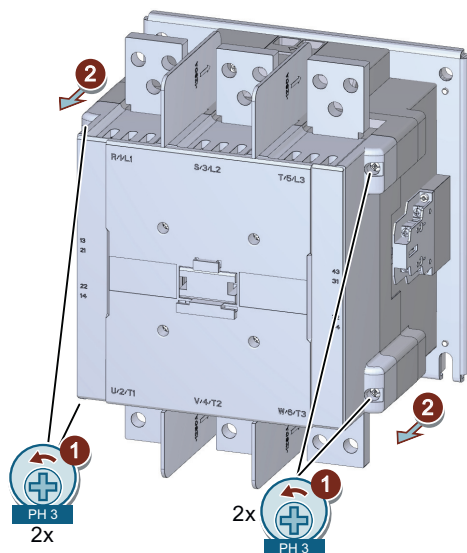
Table 9-56 Phase barrier

| Contactors | Article number |
|-------------------------------|----------------|
| 3RT1481 3RT1482 3RT1483 | 3RT1983-4AA1 |
| 3RT1485 3RT1486 3RT1487 | 3RT1987-4AA1 |

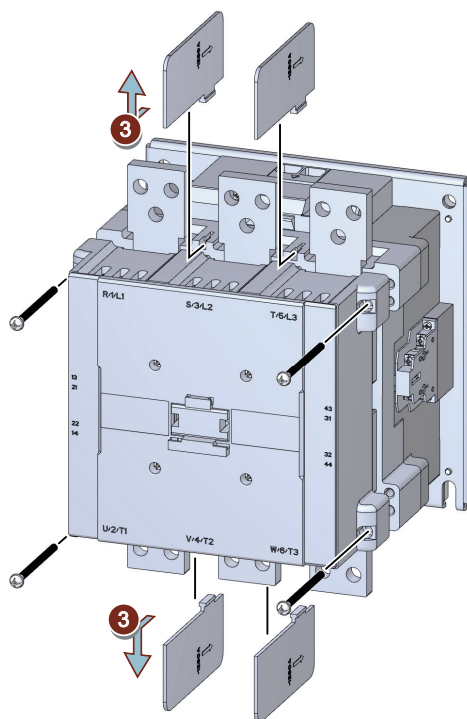
9.41.2 Mounting

Mounting the phase barrier

The following figures show examples of how to mount the 3RT1983-4AA1 phase barrier on the 3RT1483 contactors.

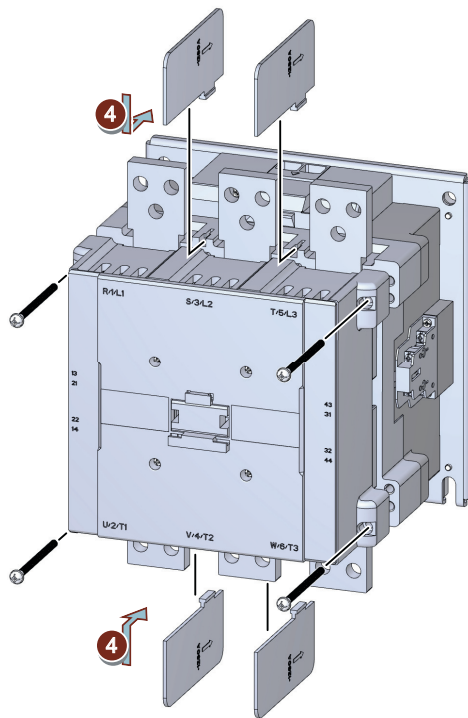
Mounting / removing the 3RT1983-4AA1 phase barrier

- ① Use a screwdriver to undo the screws.
- ② Push the two halves of the contactor apart.

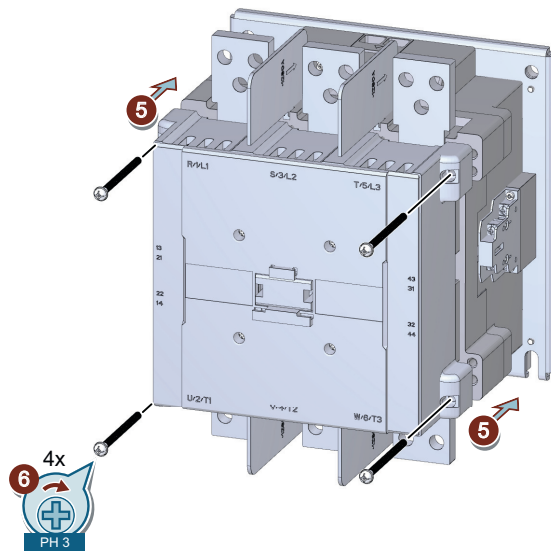


- ③ Pull the phase barriers forward slightly. Remove the phase barriers.

9.41 Phase barrier for 3RT148 contactors



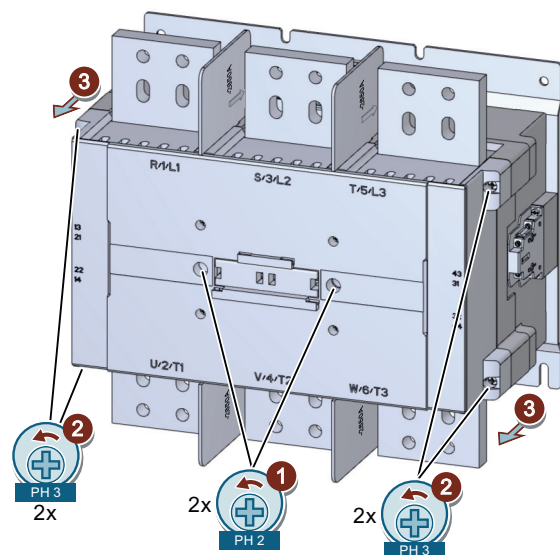
- ④ Slide the phase barriers into the openings provided on the contactor.



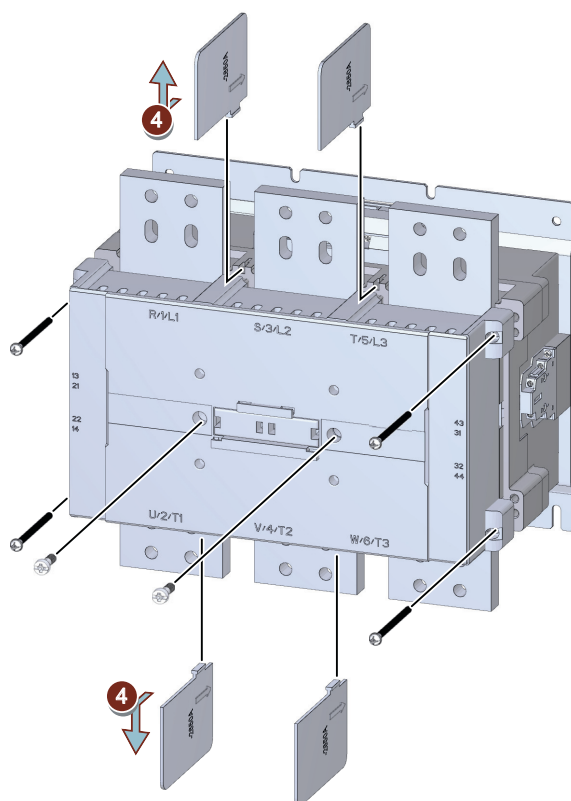
- ⑤ Slide the front part of the contactor back onto the rear half.
 ⑥ Screw the two contactor halves together (3.5 - 4.0 Nm) using a screwdriver.

The following figures show examples of how to mount the 3RT1987-4AA1 phase barrier on the 3RT1487 contactors.

Mounting / removing the 3RT1987-4AA1 phase barrier

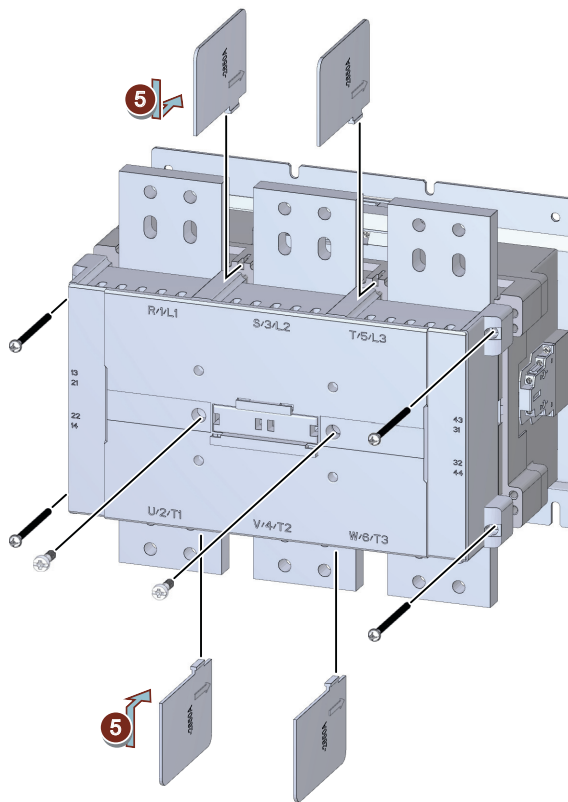


- ① Use a screwdriver to undo the 2 inner screws of the front half of the contactor.
- ② Use a screwdriver to undo the 4 outer screws of the front half of the contactor.
- ③ Push the two halves of the contactor apart.

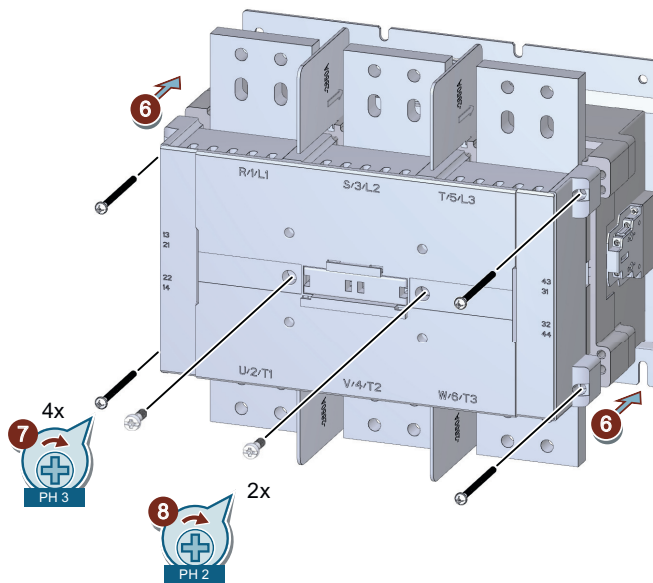


- ④ Pull the phase barriers forward slightly. Remove the phase barriers.

9.41 Phase barrier for 3RT148 contactors



- ⑤ Slide the phase barriers into the openings provided on the contactor.



- ⑥ Slide the front part of the contactor back onto the rear half.
- ⑦ Screw the 4 outer screws of the front contactor half (3.5 - 4.0 Nm) using a screwdriver.
- ⑧ Screw the 2 outer screws of the front contactor half (1.5 - 1.8 Nm) using a screwdriver.

Technical data

10.1 Technical data in Siemens Industry Online Support

Technical data sheet

You can also find the technical data of the product at Siemens Industry Online Support (<https://support.industry.siemens.com/cs/ww/en/ps/16132/td>).

1. Enter the full article number of the desired device in the "Product" field, and confirm with the Enter key.
2. Click the "Technical data" link.

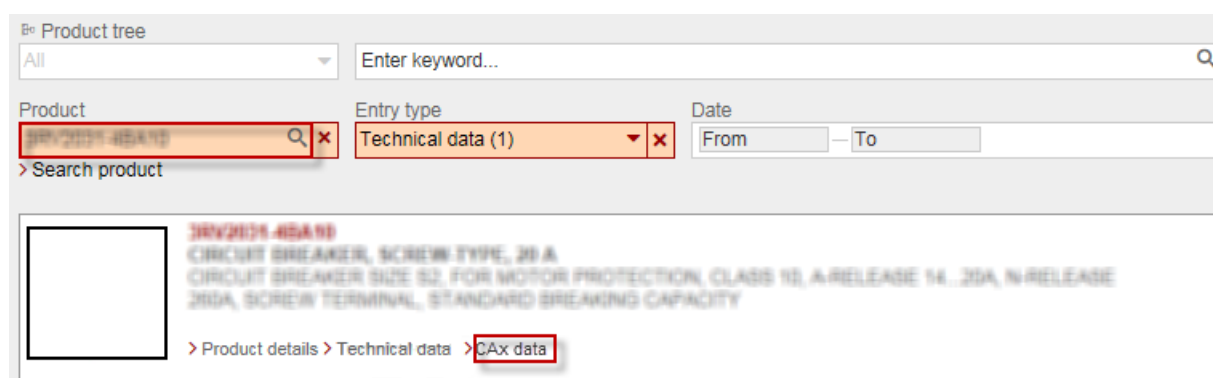
The screenshot shows the Siemens Industry Online Support search interface. At the top, there is a search bar with the text "Enter keyword..." and a magnifying glass icon. Below the search bar, there are three tabs: "Product", "Entry type", and "Date". The "Product" tab is selected, and the search results are displayed below it. The search results show a single entry for the product "3RV2031-4BA10". The entry type is "Technical data (1)". The date field is empty. Below the search results, there is a section for the product details. The product name is "3RV2031-4BA10" and the description is "CIRCUIT BREAKER, SCREW TYPE, 20 A, CIRCUIT BREAKER SIZE S2, FOR MOTOR PROTECTION, CLASS 10, A-RELEASE 14...30A, N-RELEASE 20DA, SCREW TERMINAL, STANDARD BREAKING CAPACITY". Below the description, there are three links: "Product details", "Technical data", and "CAx data". The "Technical data" link is highlighted with a red box.

Circuit diagrams

11.1 CAx data

You can find the CAx data in the Siemens Industry Online Support (<https://support.industry.siemens.com/cs/ww/en/ps/16132/td>).

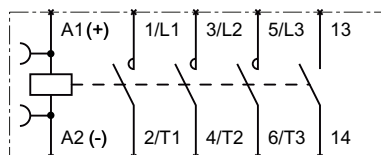
1. Enter the full article number of the desired device in the "Product" field, and confirm with the Enter key.
2. Click the "CAx data link.



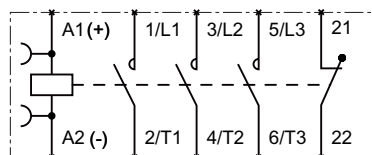
11.2 Contactors and contactor accessories

3RT2.1 motor contactors (size S00)

3RT201.-.A..1, 3RT201.-.B..1
3RT201.-.H..1, 3RT201.-.M..1



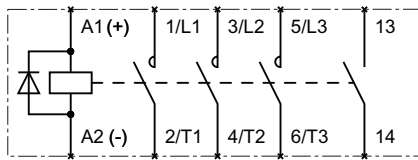
3RT201.-.A..2, 3RT201.-.B..2
3RT201.-.H..2, 3RT201.-.M..2



S00 contactor, without RC circuit, 1 NO contact S00 contactor, without RC circuit, 1 NC contact

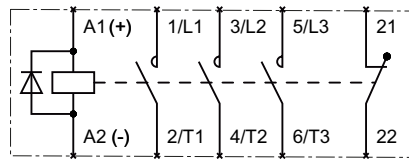
11.2 Contactors and contactor accessories

**3RT201.-.F..1, 3RT201.-.J..1
3RT201.-.V..1**



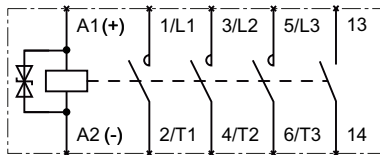
S00 contactor, with internal diode, 1 NO contact

**3RT201.-.F..2, 3RT201.-.J..2
3RT201.-.V..2**



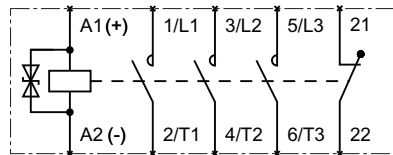
S00 contactor, with internal diode, 1 NC contact

3RT201.-.K..1



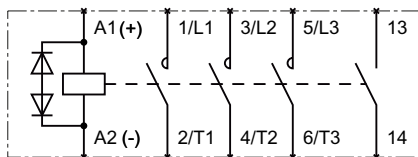
S00 contactor, with internal suppressor diode, 1 NO contact

3RT201.-.K..2



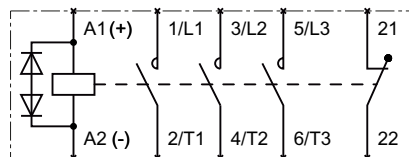
S00 contactor, with internal suppressor diode, 1 NC contact

3RT201.-.S..1



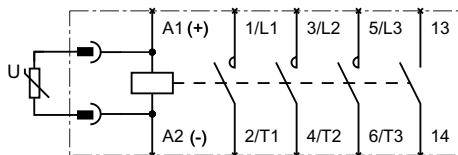
S00 contactor, with internal diode combination, 1 NO contact

3RT201.-.S..2



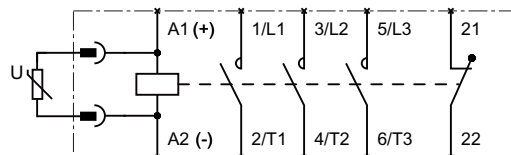
S00 contactor, with internal diode combination, 1 NC contact

3RT201.-.Q..1, 3RT201.-.W..1

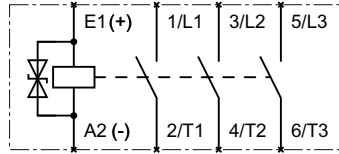


S00 contactor, with varistor connected on the front, 1 NO contact

3RT201.-.Q..2, 3RT201.-.W..2



S00 contactor, with varistor connected on the front, 1 NC contact

Traction contactor 3RT201.-2K..2-0LA0 (size S00)**3RT201.-2K..2-0LA0**

S00 traction contactor, with internal suppressor diode, 1 NC contact

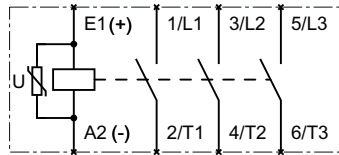
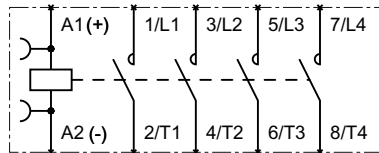
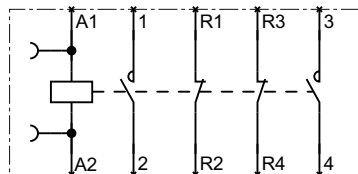
3RT201.-2L.42-0LA0**Contactor with 4 main current paths 3RT23 (size S00)****3RT231.-A..0, 3RT231.-B..0**

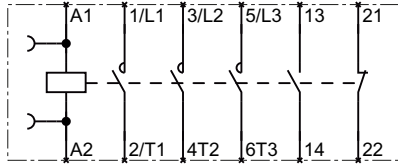
Figure 11-1 Contactor with 4 main current paths for switching slightly inductive or non-inductive loads

Pole-changing contactor 3RT25 (size S00)**3RT251.-A..0, 3RT251.-B..0**

Pole-changing contactor S00, 4 main current paths, 2 NO contacts, 2 NC contacts

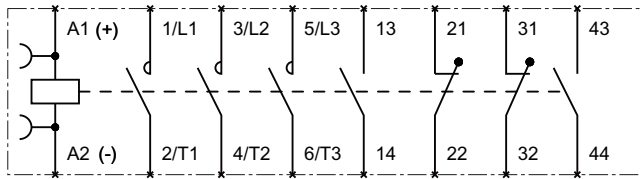
3RT2.2 (size S0), 3RT2.3 (size S2) and 3RT2.4 (size S3) motor contactors

3RT202.-.A..0, 3RT202.-.B..0, 3RT203.-.A..0, 3RT204.-.A..0



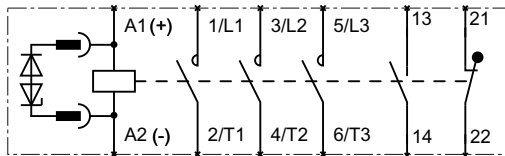
S0 / S2 / S3 contactor, without RC circuit, 1 NO contact, 1 NC contact

3RT202.-.A..4, 3RT202.-.B..4, 3RT203.-.A..4, 3RT204.-.A..4



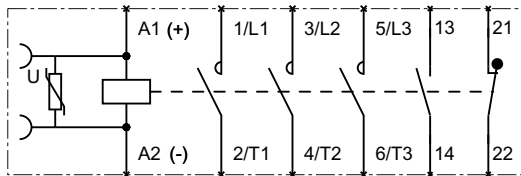
S0 / S2 / S3 contactor, without RC circuit, 2 NO contacts, 2 NC contacts

3RT202.-.F..0



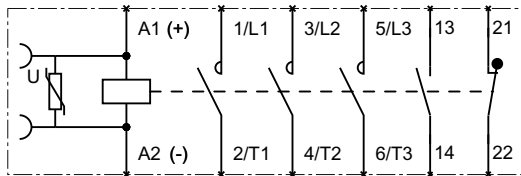
S0 contactor, with internal diode, 1 NO contact, 1 NC contact

3RT202.-.K..0, 3RT203.-.K..0, 3RT204.-.K..0



S0 / S2 / S3 contactor, with internal varistor, 1 NO contact, 1 NC contact

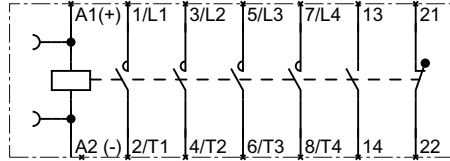
3RT202.-.N..0, 3RT202.-.X..0, 3RT203.-.N..0, 3RT203.-.X..0, 3RT204.-.N..0, 3RT204.-.X..0



S0 / S2 / S3 contactor, with electronic operating mechanism, 1 NO contact, 1 NC contact

Contactor with 4 main current paths 3RT23 (sizes S0, S2 and S3)

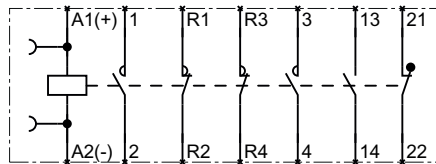
3RT232.-.A..0, 3RT232.-.B..0, 3RT233.-.A..0, 3RT233.-.N..0, 3RT234.-.A..0, 3RT234.-.B..0, 3RT234.-.N..0



S0, S2 and S3 contactor, 4 main current paths for switching slightly inductive loads or non-inductive loads, 4 NO contacts plus 1 NO contact, 1 NC contact

Pole-changing contactor 3RT25 (sizes S0, S2 and S3)

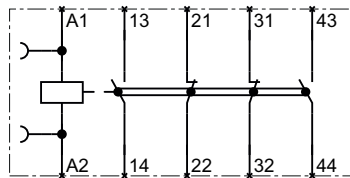
3RT252.-.A..0, 3RT252.-.B..0, 3RT253.-.A..0, 3RT253.-.N..0, 3RT254.-.A..0, 3RT254.-.N..0



Pole-changing contactor, S0, S2 and S3, 4 main current paths, 2 NO contacts, 2 NC contacts, plus 1 NO contact, 1 NC contact

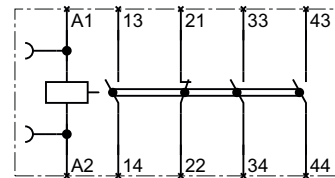
3RH2 contactor relays

3RH2122.-.A..0, 3RH2122.-.B..0,
3RH2122.-.H..0, 3RH2122.-.M..0



Contactor relay, without RC circuit,
2 NO contacts, 2 NC contacts

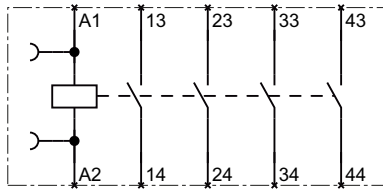
3RH2131.-.A..0, 3RH2131.-.B..0,
3RH2131.-.H..0, 3RH2131.-.M..0



Contactor relay, without RC circuit, 3 NO contacts,
1 NC contact

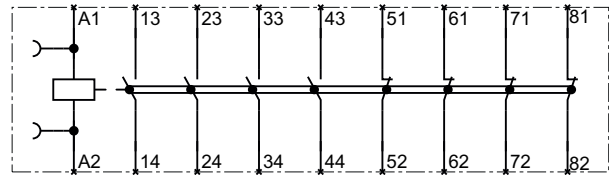
11.2 Contactors and contactor accessories

**3RH2140-.A..0, 3RH2140-.B..0,
3RH2140-.H..0, 3RH2140-.M..0**



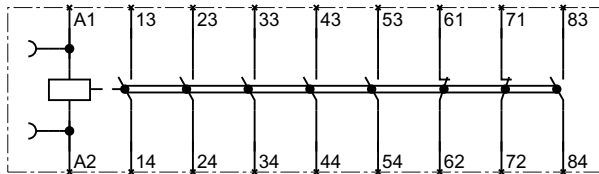
Contactor relay, without RC circuit,
4 NO contacts

**3RH2244-.A..0, 3RH2244-.B..0,
3RH2344-.A..0, 3RH2344-.B..0**



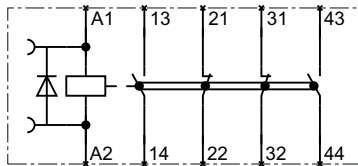
Contactor relay, without RC circuit, 4 NO contacts,
4 NC contacts

**3RH2262-.A..0, 3RH2262-.B..0,
3RH2362-.A..0, 3RH2362-.B..0**



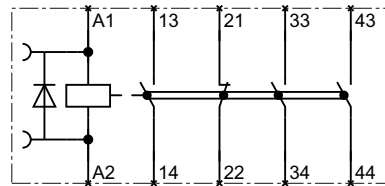
Contactor relay, without RC circuit, 6 NO contacts, 2 NC contacts

**3RH2122-.F..0, 3RH2122-.J..0,
3RH2122-.V..0**



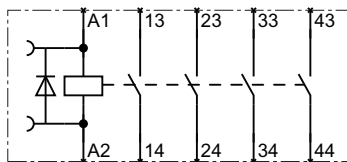
Contactor relay, with integrated diode, 2 NO
contacts, 2 NC contacts

**3RH2131-.F..0, 3RH2131-.J..0,
3RH2131-.V..0**



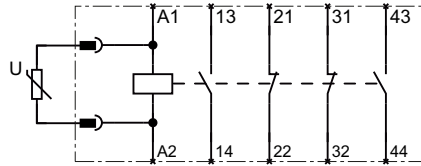
Contactor relay, with integrated diode, 3 NO
contacts, 1 NC contact

**3RH2140-.F..0, 3RH2140-.J..0,
3RH2140-.V..0**



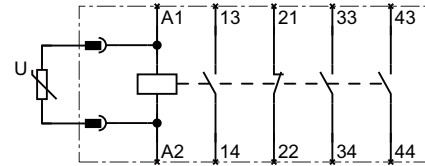
Contactor relay, with integrated diode, 4 NO
contacts

3RH2122-.W..0, 3RH2122-.Q..0



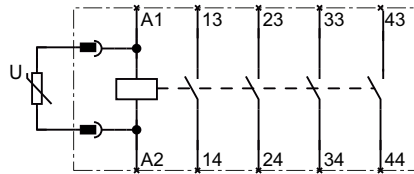
Contactor relay, with connected varistor, 2 NO contacts, 2 NC contacts

3RH2131-.W..0



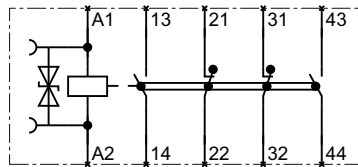
Contactor relay, with connected varistor, 3 NO contacts, 1 NC contact

3RH2140-.W..0



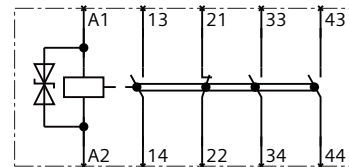
Contactor relay, with connected varistor, 4 NO contacts

3RH2122-.K..0, 3RH2122-.S..0



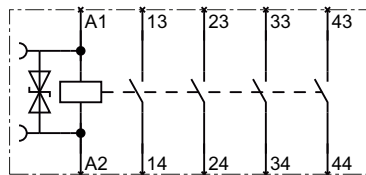
Contactor relay, with integrated suppressor diode, 2 NO contacts, 2 NC contacts

3RH2131-.K..0, 3RH2131-.S..0



Contactor relay, with integrated suppressor diode, 3 NO contacts, 1 NC contact

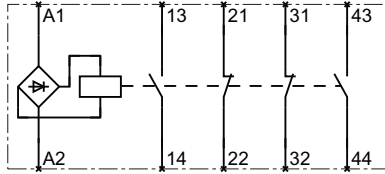
3RH2140-.K..0, 3RH2140-.S..0



Contactor relay, with integrated suppressor diode, 4 NO contacts

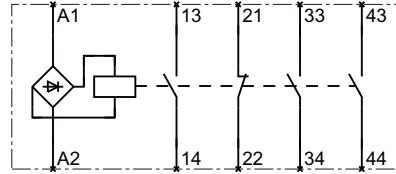
11.2 Contactors and contactor accessories

3RH2122-.G..0



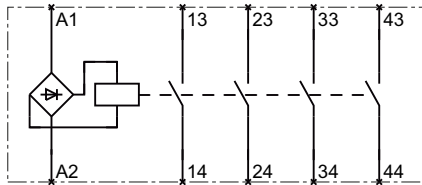
Contactor relay, with integrated full-wave rectifier, 2 NO contacts, 2 NC contacts

3RH2131-.G..0



Contactor relay, with integrated full-wave rectifier, 3 NO contacts, 1 NC contact

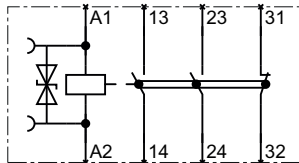
3RH2140-.G..0



Contactor relay, with integrated full-wave rectifier, 4 NO contacts

Traction contactor 3RH2122-.K...-0LA00

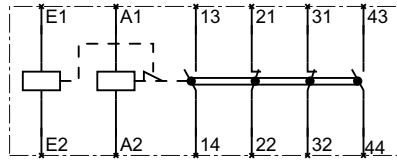
3RH2122-.K...-0LA00



Traction contactor, with integrated suppressor diode, 2 NO contacts, 2 NC contacts

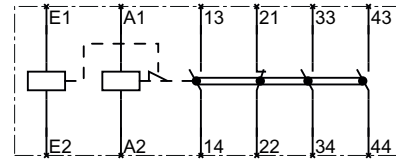
3RH24 latched contactor relays

3RH2422-.A..0, 3RH2422-.B..0



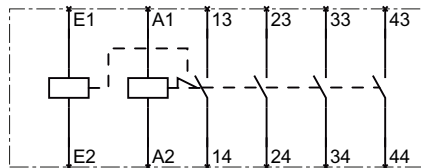
Latched contactor relay, without RC circuit, 2 NO contacts, 2 NC contacts

3RH2431-.A..0, 3RH2431-.B..0



Latched contactor relay, without RC circuit, 3 NO contacts, 1 NC contact

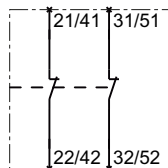
3RH2440-.A..0, 3RH2440-.B..0



Latched contactor relay, without RC circuit, 4 NO contacts

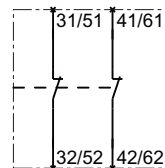
Lateral auxiliary switches

3RH2911-.DA02



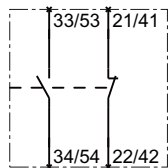
Auxiliary switch, lateral, 2 NC contacts

3RH2921-.DA02



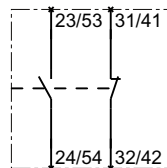
Auxiliary switch, lateral, 2 NC contacts

3RH2911-.DA11



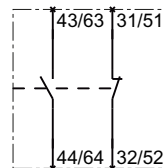
Auxiliary switch, lateral, 1 NO contact, 1 NC contact

3RH2911-.DE11



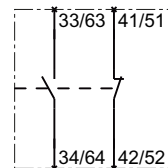
Auxiliary switch, lateral, 1 NO contact, 1 NC contact

3RH2921-.DA11



Auxiliary switch, lateral, 1 NO contact, 1 NC contact

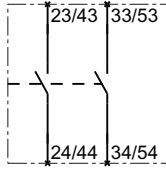
3RH2921-.DE11



Auxiliary switch, lateral, 1 NO contact, 1 NC contact

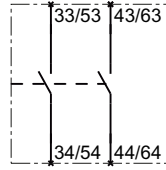
11.2 Contactors and contactor accessories

3RH2911-.DA20



Auxiliary switch, lateral, 2 NO contacts

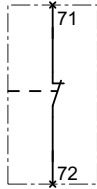
3RH2921-.DA20



Auxiliary switch, lateral, 2 NO contacts

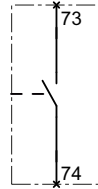
Auxiliary switch for mounting on the front, 1-pole

3RH2911-.AA01, 3RH2911-.BA01



Auxiliary switch, for mounting on the front, 1-pole, 1 NC contact

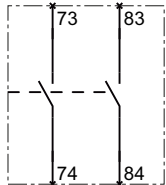
3RH2911-.AA10, 3RH2911-.BA10



Auxiliary switch, for mounting on the front, 1-pole, 1 NO contact

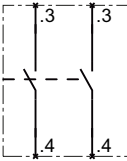
Auxiliary switch for mounting on the front, 2-pole

3RH2911-.LA20, 3RH2911-.MA20



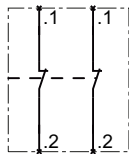
Auxiliary switch, for mounting on the front, 2-pole, 2 NO contacts

3RH2911-.NF20



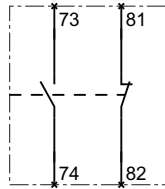
Auxiliary switch, for mounting on the front, 2-pole, 2 NO contacts

3RH2911-.NF02



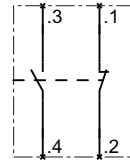
Auxiliary switch, for mounting on the front, 2-pole, 2 NC contacts

3RH2911-.LA11, 3RH2911-.MA11



Auxiliary switch, for mounting on the front, 2-pole, 1 NO contact, 1 NC contact

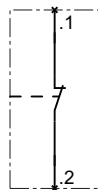
3RH2911-.NF11



Auxiliary switch, for mounting on the front, 2-pole, 1 NO contact, 1 NC contact

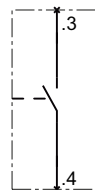
Auxiliary switches for mounting on the front, 4-pole

3RH2911-.HA01



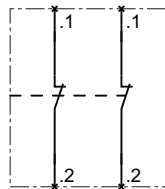
Auxiliary switch, for mounting on the front, 4-pole, 1 NC contact

3RH2911-.HA10



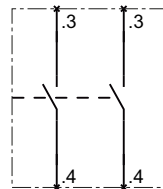
Auxiliary switch, for mounting on the front, 4-pole, 1 NO contact

3RH2911-.HA02



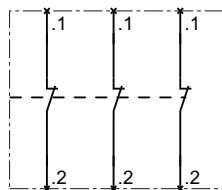
Auxiliary switch, for mounting on the front, 4-pole, 2 NC contacts

3RH2911-.HA20



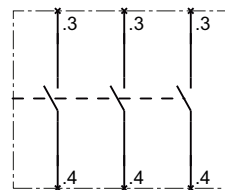
Auxiliary switch, for mounting on the front, 4-pole, 2 NO contacts

3RH2911-.HA03



Auxiliary switch, for mounting on the front, 4-pole, 3 NC contacts

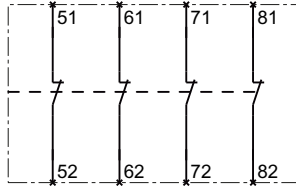
3RH2911-.HA30



Auxiliary switch, for mounting on the front, 4-pole, 3 NO contacts

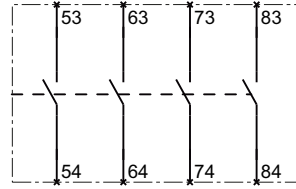
11.2 Contactors and contactor accessories

3RH2911-.GA04



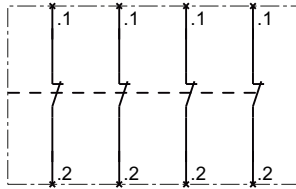
Auxiliary switch, for mounting on the front, 4-pole, 4 NC contacts

3RH2911-.GA40



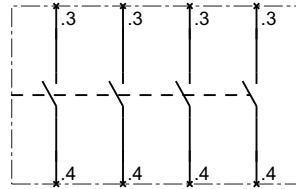
Auxiliary switch, for mounting on the front, 4-pole, 4 NO contacts

3RH2911-.FA04



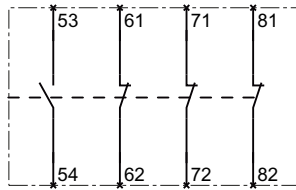
Auxiliary switch, for mounting on the front, 4-pole, 4 NC contacts

3RH2911-.FA40



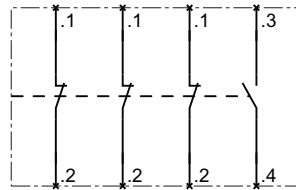
Auxiliary switch, for mounting on the front, 4-pole, 4 NO contacts

3RH2911-.GA13



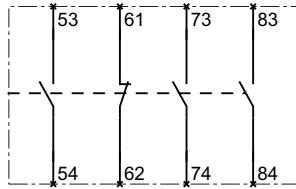
Auxiliary switch, for mounting on the front, 4-pole, 1 NO contact, 3 NC contacts

3RH2911-.HA13



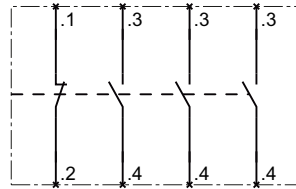
Auxiliary switch, for mounting on the front, 4-pole, 1 NO contact, 3 NC contacts

3RH2911-.GA31



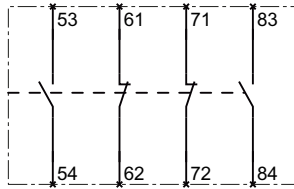
Auxiliary switch, for mounting on the front, 4-pole, 3 NO contacts, 1 NC contact

3RH2911-.HA31



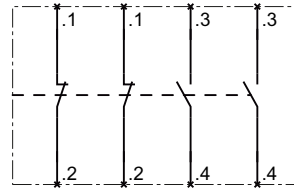
Auxiliary switch, for mounting on the front, 4-pole, 3 NO contacts, 1 NC contact

3RH2911-.GA22



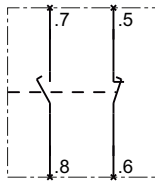
Auxiliary switch, for mounting on the front, 4-pole, 2 NO contacts, 2 NC contacts

3RH2911-.HA22



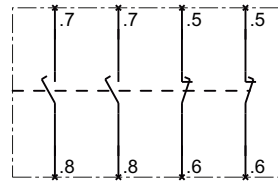
Auxiliary switch, for mounting on the front, 4-pole, 2 NO contacts, 2 NC contacts

3RH2911-.FB11



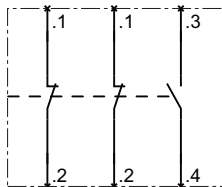
Auxiliary switch, 1 x make-before-break, 1 NO contact, 1 NC contact

3RH2911-.FC22



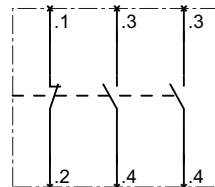
Auxiliary switch, for mounting on the front, 4-pole, 2 x make-before-break, 2 NO contacts, 2 NC contacts

3RH2911-.HA12



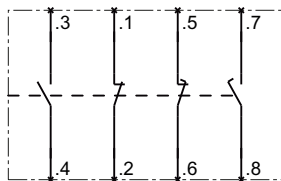
Auxiliary switch, for mounting on the front, 4-pole, 1 NO contact, 2 NC contacts

3RH2911-.HA21



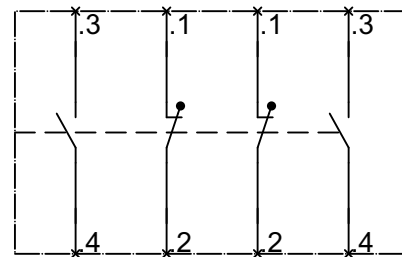
Auxiliary switch, for mounting on the front, 4-pole, 2 NO contacts, 1 NC contact

3RH2911-.FB22



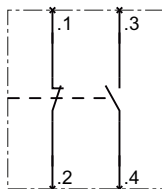
Auxiliary switch, for mounting on the front, 4-pole, 1 x make-before-break, 2 NO contacts, 2 NC contacts

3RH2911-2FA22



Auxiliary switch, for mounting on the front, 4-pole, 2 NO contacts, 2 NC contacts

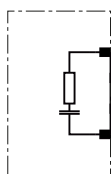
3RH2911-.HA11



Auxiliary switch, for mounting on the front, 4-pole, 1 NO contact, 1 NC contact

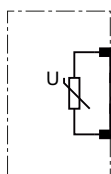
Surge suppressor

3RT29.6-1C...



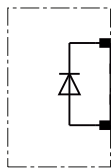
Surge suppressor, RC element

3RT29.6-.B...



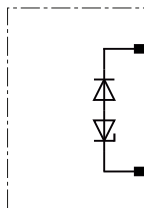
Surge suppressor, varistor

3RT29.6-1D...



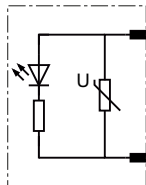
Surge suppressor, suppression diode

3RT2926-1E...



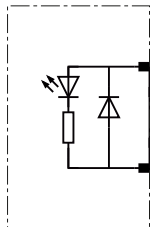
Surge suppressor, diode combination

3RT29.6-1J...

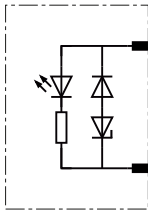


Surge suppressor, varistor with LED

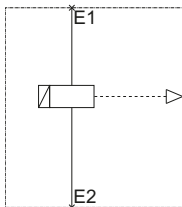
3RT29.6-1L...



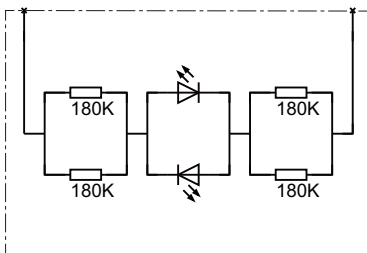
Surge suppressor, suppression diode with LED

3RT2926-1M...

Surge suppressor, diode combination with LED

Mechanical latch**3RT2926-3A.31**

Mechanical latch

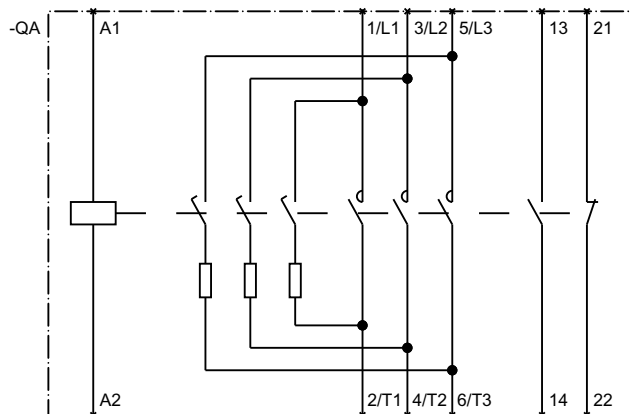
LED display indicator module**3RT2926-1Q...**

LED display indicator module for indicating the contactor function

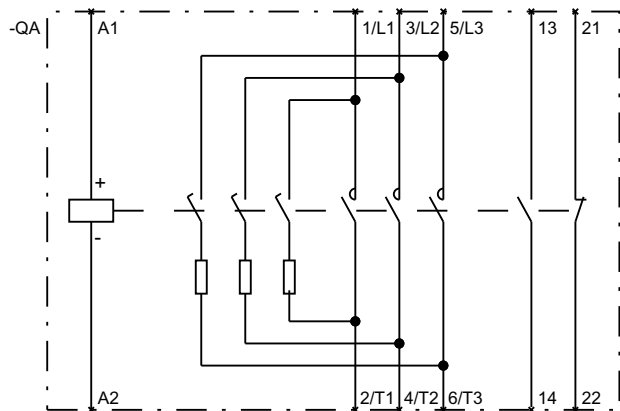
11.3 Capacitor contactors (S00 / S0 / S2 / S3)

Capacitor contactors (size S00)

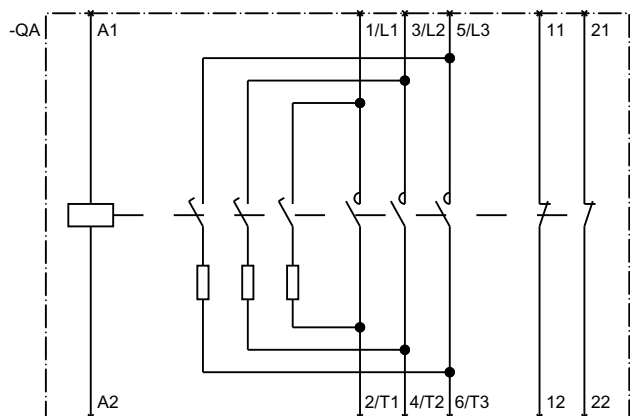
3RT261.-A..3



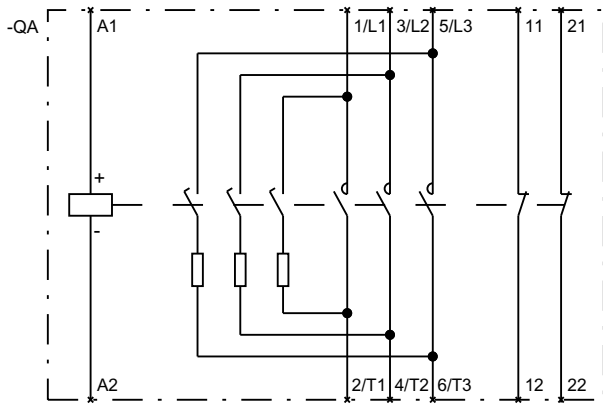
3RT261.-B..3



3RT261.-A..5

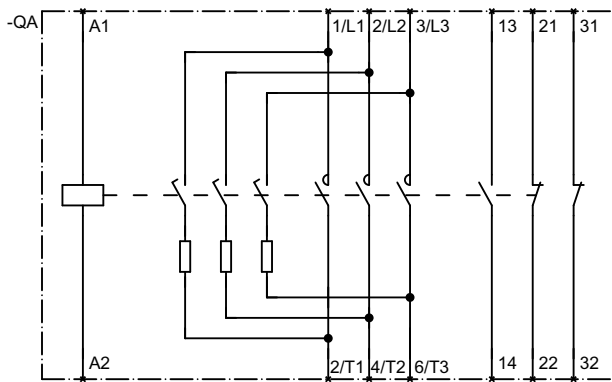


3RT261.-.B..5

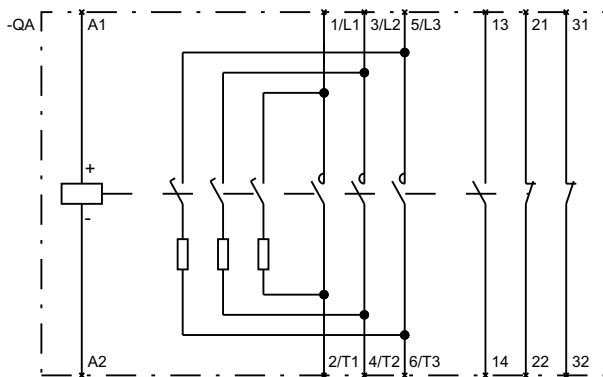


Capacitor contactors (size S0)

3RT262.-.A..5

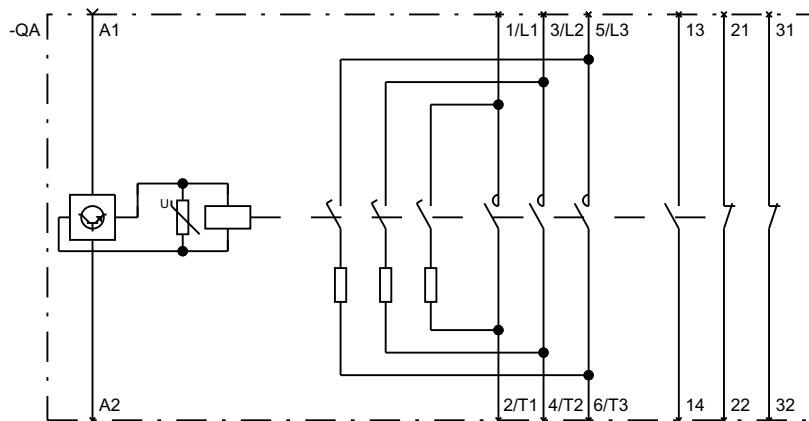


3RT262.-.B..5



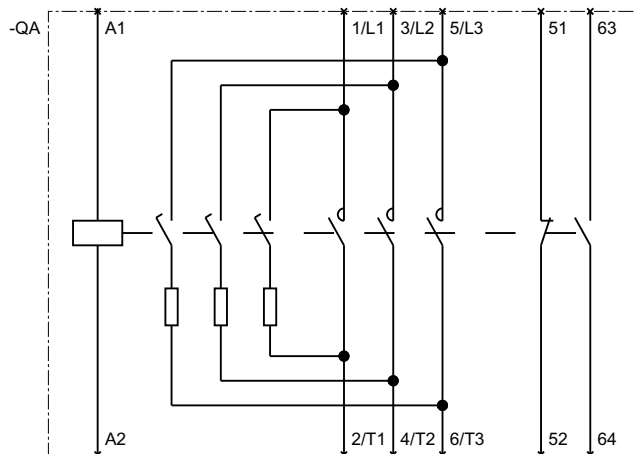
11.3 Capacitor contactors (S00 / S0 / S2 / S3)

3RT262.-N..5

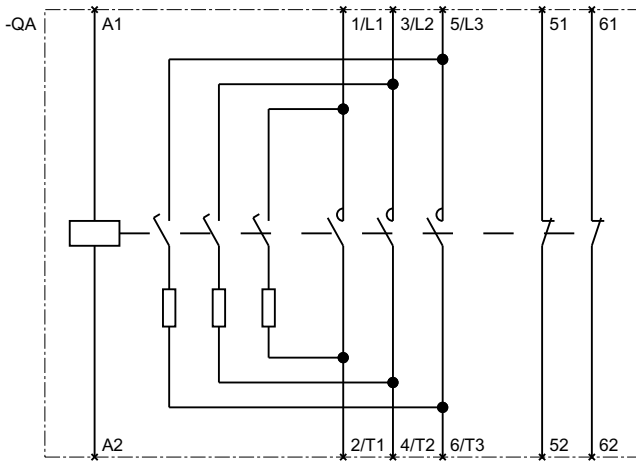


Capacitor contactors (sizes S2 and S3)

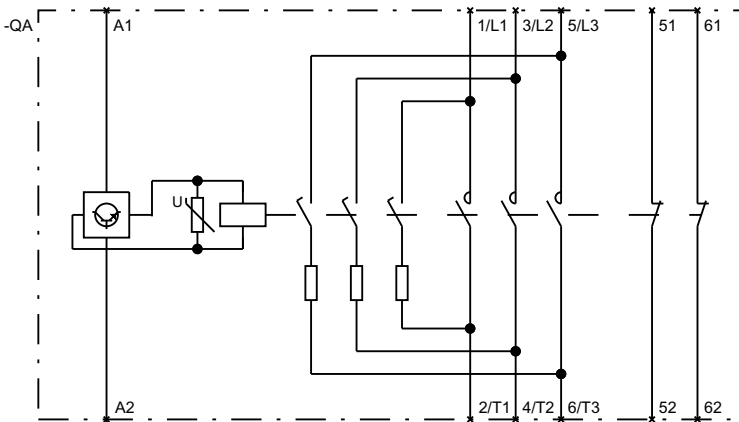
3RT263.-A..3 / 3RT264.-A..3



3RT263.-.A..5 / 3RT264.-.A..5



3RT263.-.N..5 / 3RT264.-.N..5



11.4 Reversing contactor assemblies (S00 / S0 / S2 / S3)

Reversing contactor assembly, size S00

3RA231.-....

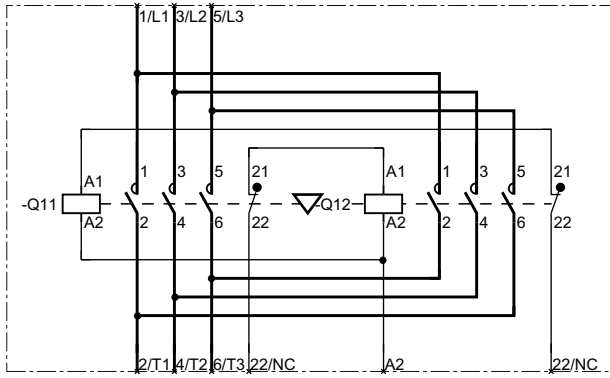


Figure 11-2 Reversing contactor assembly S00

Reversing contactor assemblies, sizes S0, S2 and S3

3RA232.-.... / 3RA233.-.... / 3RA234.-....

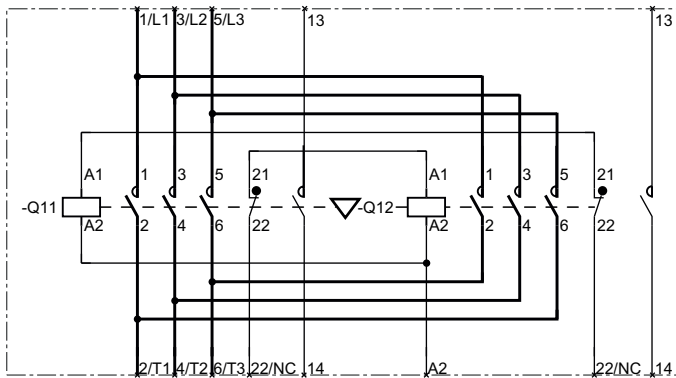
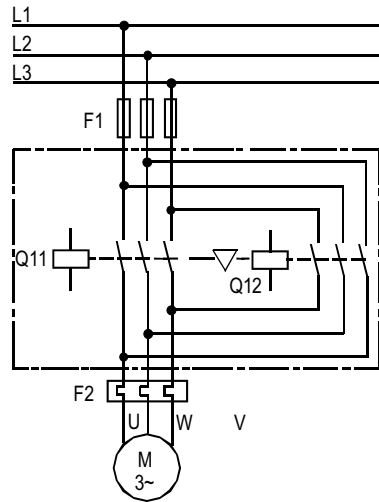


Figure 11-3 Reversing contactor assemblies S0, S2 and S3

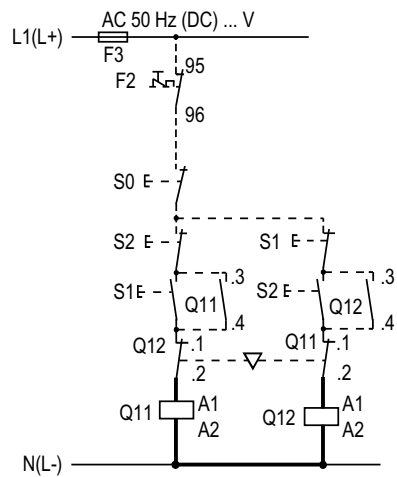
11.5 Reversing contactor assemblies (S6 / S10 / S12)

Main circuit



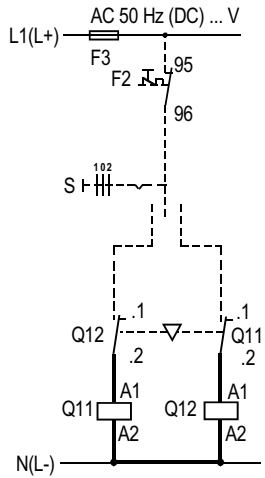
Control circuit

Pushbutton switch control



11.6 Contactor assemblies for star-delta (wye-delta) start (S00 / S0 / S2 / S3)

Maintained-contact operation



11.6 Contactor assemblies for star-delta (wye-delta) start (S00 / S0 / S2 / S3)

Contactor assemblies for star-delta (wye-delta) start with 3RA28 function modules for star-delta (wye-delta) start

3RA241-..F..

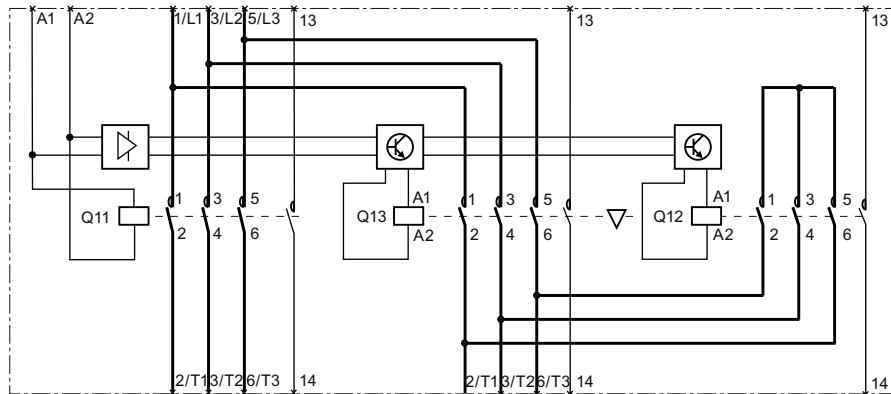


Figure 11-4 S00 contactor assemblies for star-delta (wye-delta) start, with 3RA28 function modules for star-delta (wye-delta) start

11.6 Contactor assemblies for star-delta (wye-delta) start (S00 / S0 / S2 / S3)

3RA242...F.. / 3RA243...F.. / 3RA244...F..

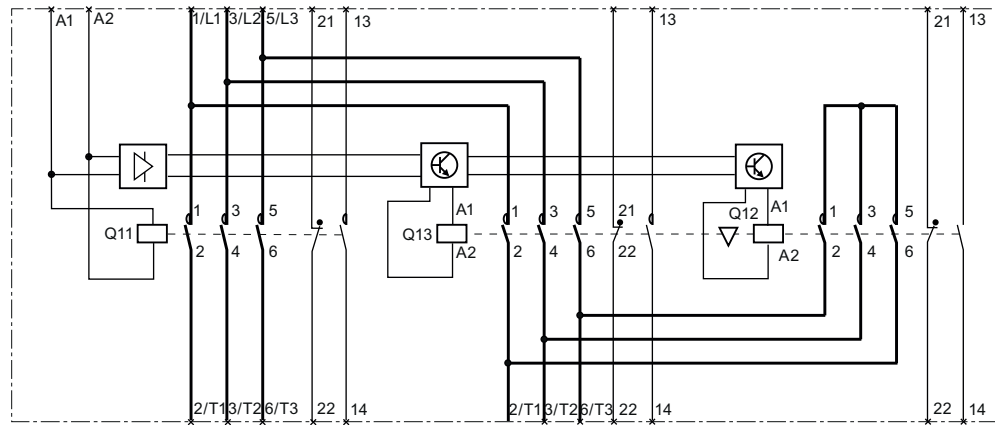


Figure 11-5 S0, S2 and S3 contactor assemblies for star-delta (wye-delta) start, with 3RA28 function modules for star-delta (wye-delta) start

Contactor assemblies for star-delta (wye-delta) start with mounted function modules for AS-Interface

3RA241...H..

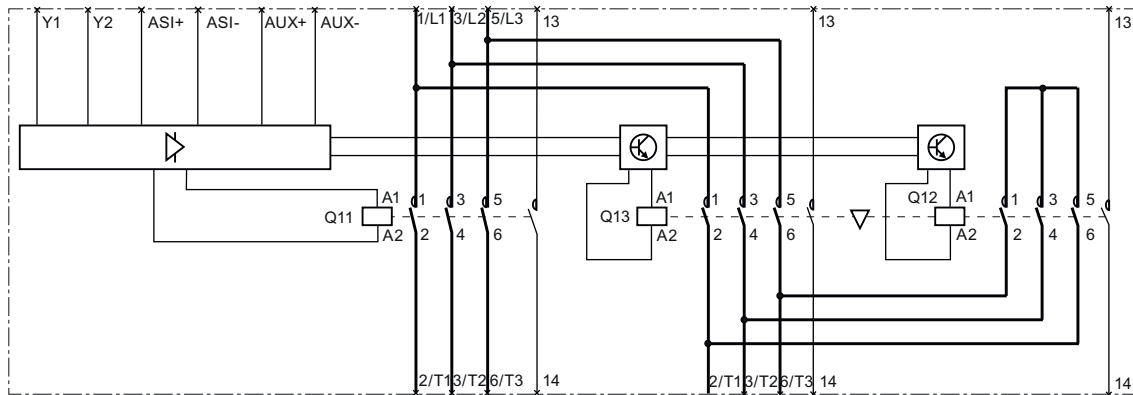


Figure 11-6 S00 contactor assemblies for star-delta (wye-delta) start, with mounted function modules for AS-Interface

11.6 Contactor assemblies for star-delta (wye-delta) start (S00 / S0 / S2 / S3)

3RA242-..H.. / 3RA243-..H.. / 3RA244-..H..

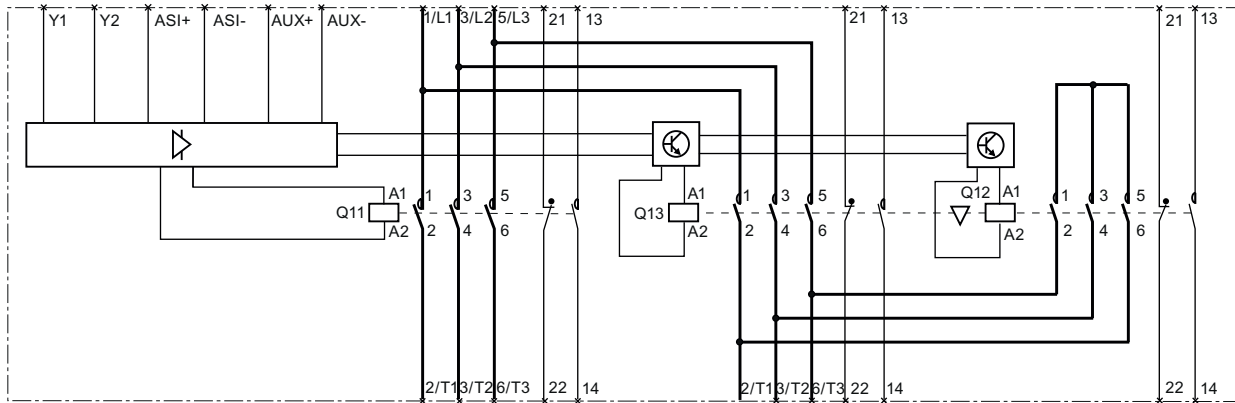


Figure 11-7 S0, S2 and S3 contactor assemblies for star-delta (wye-delta) start, with mounted function modules for AS-Interface

Contactor assemblies for star-delta (wye-delta) start with mounted function modules for IO-Link

3RA241-..E..

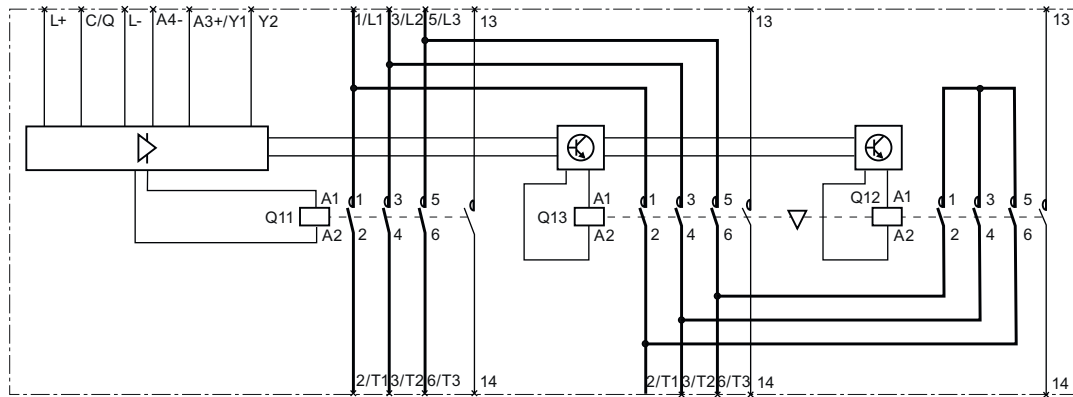


Figure 11-8 S00 contactor assembly for star-delta (wye-delta) start, with mounted function modules for IO-Link

3RA242-..E.. / 3RA243-..E.. / 3RA244-..E..

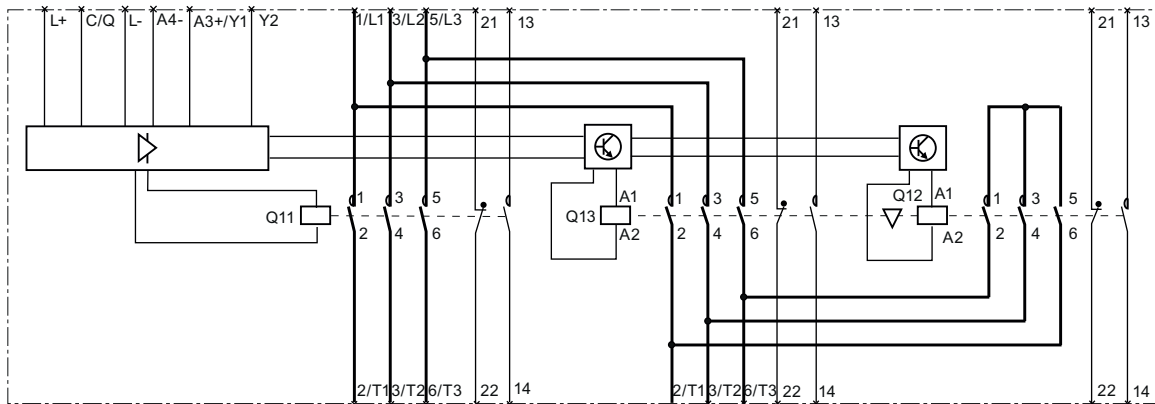
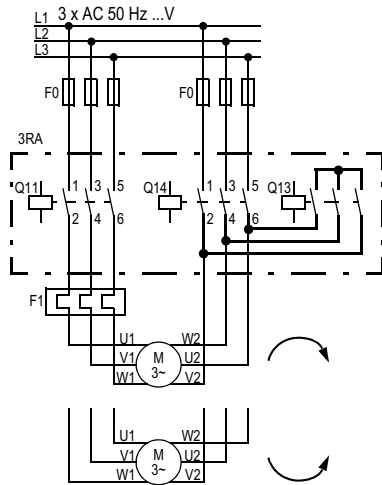


Figure 11-9 S0, S2 and S3 contactor assembly for star-delta (wye-delta) start, with mounted function modules for IO-Link

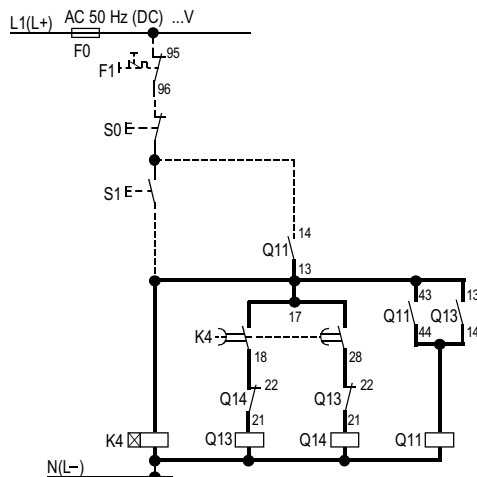
11.7 Contactor assemblies for star-delta (wye-delta) start (S6 / S10 / S12)

Main circuit



Control circuit

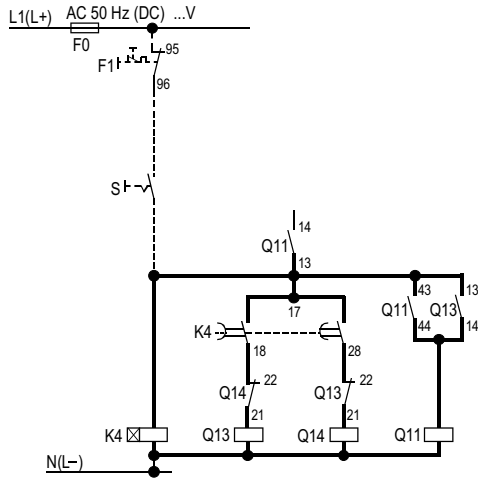
Pushbutton switch control



- S0 "OFF" button
- S1 "ON" button
- S Maintained-contact switch
- K1 Line contactor
- K2 Star contactor
- K3 Delta contactor
- K4 Solid-state time-delay auxiliary switch or timing relay
- F0 Fuses
- F1 Overload relay

11.7 Contactor assemblies for star-delta (wye-delta) start (S6 / S10 / S12)

Maintained-contact operation



- S0 "OFF" button
- S1 "ON" button
- S Maintained-contact switch
- K1 Line contactor
- K2 Star contactor
- K3 Delta contactor
- K4 Solid-state time-delay auxiliary switch or timing relay
- F0 Fuses
- F1 Overload relay

Types of coordination

Types of coordination

Standard DIN EN 60947-4-1 (VDE 0660 Part 102) or IEC 60947-4-1 distinguishes between two types of coordination (type of coordination), which are referred to as coordination type "1" and coordination type "2". In the case of both types of coordination, the short-circuit is reliably mastered. The only differences are in the extent of the damage sustained by the device following a short circuit.

Type of coordination 1

The load feeder may be non-operational after a short circuit has been cleared. Damage to the contactor and the overload release is also permissible.

Type of coordination 2

After short-circuit disconnection, there must be no damage to the overload release or to any other part. The load feeder can resume operation without needing to be renewed. Welding of the contactor contacts only is permitted if these can be separated easily without significant deformation.

References

B.1 References

Further references

You will find more information about the 3RT contactors / contactor assemblies on the Internet (<https://support.industry.siemens.com/cs/ww/en/ps/16132/man>).

In addition to this manual, please refer to the operating instructions and manuals for any accessories. You can download the relevant documentation from the Internet (<http://www.siemens.com/sirius/manuals>). Simply enter the Article number of the relevant item into the search field.

You will find further information on safety engineering and numerous application examples in the Safety Integrated application manual (<https://support.industry.siemens.com/cs/ww/en/view/81366718>).

Safety Evaluation Tool

The Siemens Safety Evaluation Tool (<http://www.siemens.com/safety-evaluation-tool>) for the IEC 62061 and EN ISO 13849-1 standards supports you in evaluating the safety functions of your machine. The TÜV-tested online tool guides you step by step, from specifying the structure of the safety system and selecting the components to determining the achieved safety integrity (SIL / PL). The final result is a report in conformance with the standards that you can integrate as proof of safety into the documentation.

Operating instructions

| Title | Article number |
|---|--------------------|
| SIRIUS contactor S00 (3RT2.1, 3RH21 and 3RH24) | 3ZX1012-ORH21-1AA1 |
| SIRIUS contactor S0 (3RT2.2) | 3ZX1012-ORT22-1AA1 |
| SIRIUS contactor S2 (3RT2.3) | 3ZX1012-ORT20-3AA1 |
| SIRIUS contactor S3 (3RT2.4) | 3ZX1012-ORT20-4AA1 |
| SIRIUS contactor S6 / S10 / S12 (3RT105/145.-.A/N...-....., 3RT105/145.-.X.46-OLA2, 3RT106/146.-.A/N...-....., 3RT106/146.-.X.46-OLA2, 3RT107/147.-.A/N...-....., 3RT107/147.-.X.46-OLA2, 3RT1...-.S.36-....) | 3ZX1012-ORT05-1AA1 |
| SIRIUS contactor with remaining lifetime module S6 / S10 / S12 (3RT1.5, 3RT1.6 and 3RT1.7) | 3ZX1012-ORT05-1RA1 |
| SIRIUS vacuum contactor S10 / S12 (3RT126.-.A/N / 3RT127.-.A/N) | 3ZX1012-ORT64-1VA1 |
| SIRIUS capacitor contactor S00 / S0 (3RT261.-1.... / 3RT262.-1....) | 3ZX1012-ORT26-3BA1 |
| SIRIUS capacitor contactor S2 / S3 (3RT263.-1.... / 3RT264.-1....) | 3ZX1012-ORT26-3AA1 |
| SIRIUS reversing contactor assemblies S00 (3RA231.-8X.3.-1 and 3RA231.-8X.3.-2) | 3ZX1012-ORA23-8AA1 |
| SIRIUS reversing contactor assemblies S0 (3RA232.-8X.3.-1 and 3RA232.-8X.3.-2) | 3ZX1012-ORA23-8BA1 |
| SIRIUS reversing contactor assembly S2 (3RA233.-8X.30-1) | 3ZX1012-ORA23-8CA1 |

| Title | Article number |
|--|--------------------|
| SIRIUS reversing contactor assembly S3 (3RA234.-8X.30-1) | 3ZX1012-ORA23-8DA1 |
| SIRIUS assembly kit for reversing contactor assemblies S00 (3RA2913-2AA1 and 3RA2913-2AA2) | 3ZX1012ORA20-4AA1 |
| SIRIUS assembly kit for reversing contactor assemblies S0 (3RA2923-2AA1 and 3RA2923-2AA2) | 3ZX1012-ORA20-3AA1 |
| SIRIUS assembly kit for reversing contactor assemblies S2 (3RA2933-2AA1 and 3RA2933-2AA2) | 3ZX1012-ORA20-2AA1 |
| SIRIUS assembly kit for reversing contactor assembly S3 (3RA2943-2AA1 and 3RA2943-2AA2) | 3ZX1012-ORA20-2CA1 |
| SIRIUS wiring kit for reversing contactor assembly S6 / S10 / S12 (3RA1953-2A, 3RA1953-2M, 3RA1963-2A and 3RA1973-2A) | 3ZX1012-ORA54-1AA1 |
| SIRIUS contactor assembly for star-delta (wye-delta) start S00 (3RA241.-8X.3.-1 and 3RA241.-8X.3.-2) | 3ZX1012-ORA24-8AA1 |
| SIRIUS contactor assembly for star-delta (wye-delta) start S0 (3RA242.-8X.3.-1 and 3RA242.-8X.3.-2) | 3ZX1012-ORA24-8BA1 |
| SIRIUS contactor assembly for star-delta (wye-delta) start S2 (3RA243.-8X.32-1) | 3ZX1012-ORA24-8CA1 |
| SIRIUS contactor assembly for star-delta (wye-delta) start S3 (3RA244.-8X.32-1) | 3ZX1012-ORA24-8DA1 |
| SIRIUS assembly kit for contactor assembly for star-delta (wye-delta) start S00 (3RA2913-2BB1 and 3RA2913-2BB2) | 3ZX1012-ORA20-4BA1 |
| SIRIUS assembly kit for contactor assembly for star-delta (wye-delta) start S0 (3RA2923-2BB1, 3RA2923-2BB2 and 3RA2924-2BB1) | 3ZX1012-ORA20-3BA1 |
| SIRIUS assembly kit for contactor assembly for star-delta (wye-delta) start S2 (3RA2933-2BB1, 3RA2933-2BB2 and 3RA2933-2C) | 3ZX1012-ORA20-2BA1 |
| SIRIUS assembly kit for contactor assembly for star-delta (wye-delta) start S3 (3RA2943-2BB1, 3RA2943-2BB2 and 3RA2943-2C) | 3ZX1012-ORA20-4CA1 |
| SIRIUS wiring kit for contactor assembly for star-delta (wye-delta) start S6 / S10 / S12 (3RA1953-2B / 3RA1953-2N, 3RA1953-3G / 3RA1953-3F, 3RA1963-2B / 3RA1973-2B and 3RA1963-3E / 3RA1973-3E) | 3ZX1012-ORA54-1CA1 |

B.2 Manuals - SIRIUS Modular System

Manuals - SIRIUS Modular System

You can download the SIRIUS manuals from the Internet.

| Information about ... | Is available in ... |
|--|--|
| <ul style="list-style-type: none"> SIRIUS - system overview | <ul style="list-style-type: none"> "SIRIUS - System Overview" (https://support.industry.siemens.com/cs/ww/en/view/60311318) manual |
| <ul style="list-style-type: none"> Contactors and contactor assemblies 3RT, 3RH and 3RA | <ul style="list-style-type: none"> "SIRIUS - SIRIUS 3RT Contactors and Contactor Assemblies" (https://support.industry.siemens.com/cs/ww/en/view/60306557) manual |
| <ul style="list-style-type: none"> 3RF34 electronic switching devices | <ul style="list-style-type: none"> "SIRIUS - SIRIUS 3RF34 electronic Switching Devices" (https://support.industry.siemens.com/cs/ww/en/view/60298187) manual |
| <ul style="list-style-type: none"> 3RW soft starters | <ul style="list-style-type: none"> "SIRIUS 3RW30/3RW40 Soft Starter" (https://support.industry.siemens.com/cs/ww/en/view/38752095) manual "SIRIUS 3RW44 Soft Starter" (https://support.industry.siemens.com/cs/ww/en/view/21772518) manual |

| Information about ... | Is available in ... |
|---|---|
| <ul style="list-style-type: none"> • 3RV motor starter protectors | <ul style="list-style-type: none"> • "SIRIUS 3RV Motor Starter Protectors" (https://support.industry.siemens.com/cs/ww/en/view/60279172) manual |
| <ul style="list-style-type: none"> • 3RU, 3RB overload relays | <ul style="list-style-type: none"> • "SIRIUS 3RU Thermal Overload Relays / SIRIUS 3RB Electronic Overload Relays" (https://support.industry.siemens.com/cs/ww/en/view/60298164) manual |
| <ul style="list-style-type: none"> • 3RB24 electronic overload relay | <ul style="list-style-type: none"> • "3RB24 Electronic Overload Relay for IO-Link" (https://support.industry.siemens.com/cs/ww/en/view/46165627) manual |
| <ul style="list-style-type: none"> • 3UG4 monitoring relays / 3RR2 current monitoring relays | <ul style="list-style-type: none"> • "3UG4/3RR2 Monitoring Relay" (https://support.industry.siemens.com/cs/ww/en/view/54397927) manual |
| <ul style="list-style-type: none"> • 3RS1/3RS2 temperature monitoring relays | <ul style="list-style-type: none"> • "3RS1/3RS2 Temperature Monitoring Relays" (https://support.industry.siemens.com/cs/ww/en/view/54999309) manual |
| <ul style="list-style-type: none"> • 3UG48 monitoring relays / 3RR24 current monitoring relays for IO-Link | <ul style="list-style-type: none"> • "3UG48/3RR24 Monitoring Relays for IO-Link" (https://support.industry.siemens.com/cs/ww/en/view/54375430) manual |
| <ul style="list-style-type: none"> • 3RS14/3RS15 temperature monitoring relays for IO-Link | <ul style="list-style-type: none"> • "3RS14/3RS15 Temperature Monitoring Relays for IO-Link" (https://support.industry.siemens.com/cs/ww/en/view/54375463) manual |
| <ul style="list-style-type: none"> • 3RA load feeders | <ul style="list-style-type: none"> • "SIRIUS - SIRIUS 3RA Load Feeders" (https://support.industry.siemens.com/cs/ww/en/view/60284351) manual |
| <ul style="list-style-type: none"> • 3RA6 compact starters | <ul style="list-style-type: none"> • "SIRIUS 3RA6 Compact Starter" (https://support.industry.siemens.com/cs/ww/en/view/27865747) manual |
| <ul style="list-style-type: none"> • 3RA28 function modules for mounting on contactors | <ul style="list-style-type: none"> • "SIRIUS - SIRIUS 3RA28 Function Modules for Mounting on 3RT2 Contactors" (https://support.industry.siemens.com/cs/ww/en/view/60279150) manual |
| <ul style="list-style-type: none"> • 3RA27 function modules for connection to the higher-level control | <ul style="list-style-type: none"> • "SIRIUS - SIRIUS 3RA2712 Function Modules for AS-Interface" (https://support.industry.siemens.com/cs/ww/en/view/39318922) manual • "SIRIUS - SIRIUS 3RA2711 Function Modules for IO-Link" (https://support.industry.siemens.com/cs/ww/en/view/39319600) manual |

Dimension drawings (dimensions in mm)

C.1 CAx data

You can find the CAx data in the Siemens Industry Online Support (<https://support.industry.siemens.com/cs/ww/en/ps/16132/td>).

1. Enter the full article number of the desired device in the "Product" field, and confirm with the Enter key.
2. Click the "CAx data link.

Note

All dimensions are specified in mm.

C.2 3RT2.1 contactors and 3RH2 contactor relays (size S00)

3RT2.1.-1 contactors (3-pole) and 3RH21..-1 contactor relays (4-pole) in screw-type connection system with accessories mounted

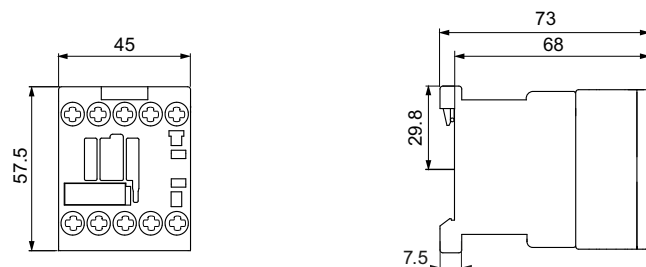
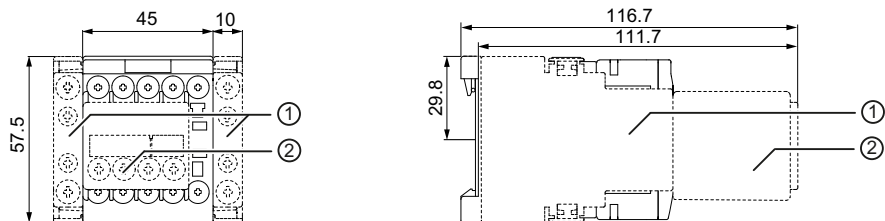


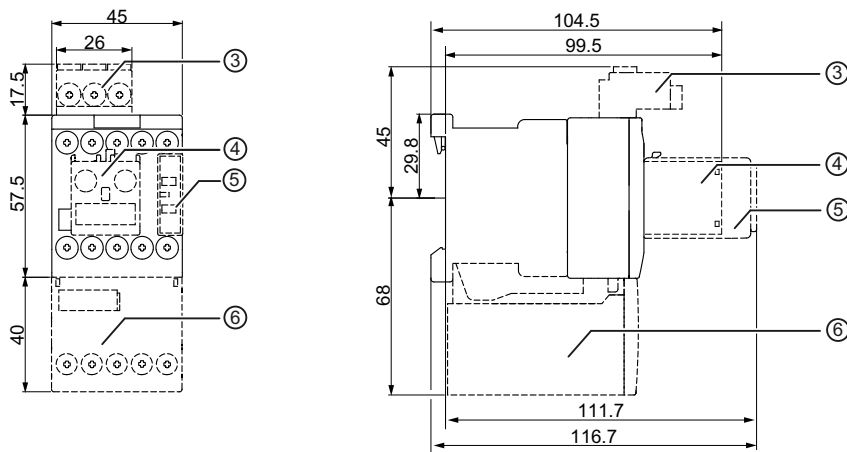
Figure C-1 3RT2.1.-1 contactor and 3RH21..-1 contactor relays (screw-type connection system)

C.2 3RT2.1 contactors and 3RH2 contactor relays (size S00)



- | | | |
|---|--|--|
| 1 | Laterally mountable auxiliary switch | 3RH2911-1DA.. / -1DE.. / -1EE.. |
| 2 | Auxiliary switch for mounting on the front | 3RH2911-1FA.. / -1GA.. / -1HA.. / -1NF.. |

Figure C-2 3RT2.1.-1 contactor and 3RH21...-1 contactor relays (screw-type connection system) with auxiliary switches mounted



- | | | |
|---|--|------------------------|
| 3 | 3-phase infeed terminal | 3RA2913-3K |
| 4 | Surge suppressor | 3RT2916-1... |
| 5 | Auxiliary switch for mounting on the front | 3RH2911-1AA.. / -1BA.. |
| 6 | EMC suppression module | 3RT2916-1P.. |

Figure C-3 3RT2.1.-1 contactors and 3RH21...-1 contactor relays (screw-type connection system) with accessories mounted

3RT2.1.-2 contactors and 3RH21...-2 contactor relays (4-pole) in spring-loaded connection system with accessories mounted

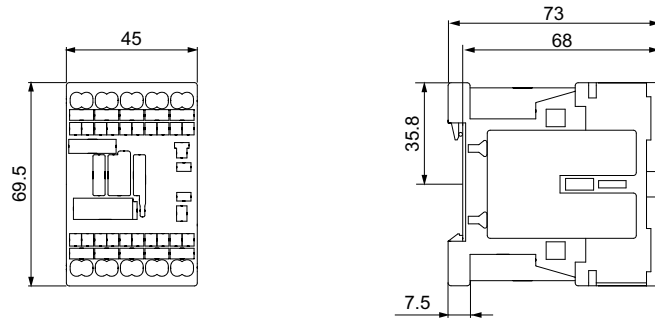
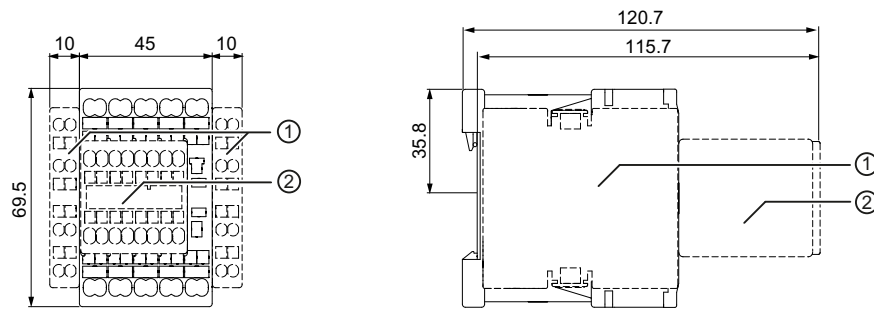
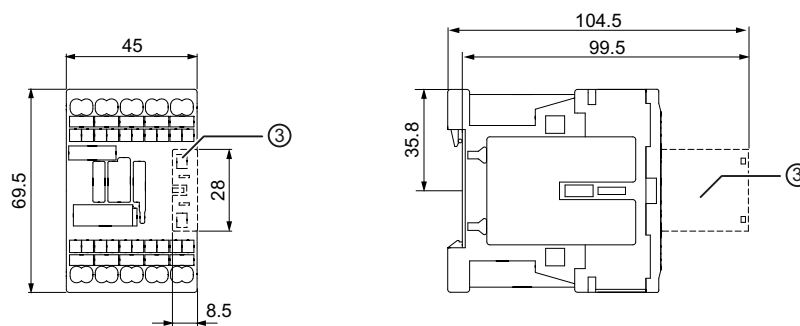


Figure C-4 3RT2.1.-2 contactor and 3RH21...-2 contactor relays (spring-loaded connection system)



- 1 Laterally mountable auxiliary switch 3RH2911-2DA.. / -2DE.. / -2EE..
- 2 Auxiliary switch for mounting on the front 3RH2911-2FA.. / -2GA.. / -2HA.. / -2NF..

Figure C-5 3RT2.1.-2 contactor and 3RH21...-2 contactor relays (spring-loaded connection system) with auxiliary switches mounted



- 3 Surge suppressor 3RT2916-1...

Figure C-6 3RT2.1.-2 contactor and 3RH21...-2 contactor relay (spring-loaded connection system) with surge suppressor mounted

3RT2.1-4. contactors and 3RH21..-4 contactor relays (4-pole) with ring cable lug connection system and accessories mounted

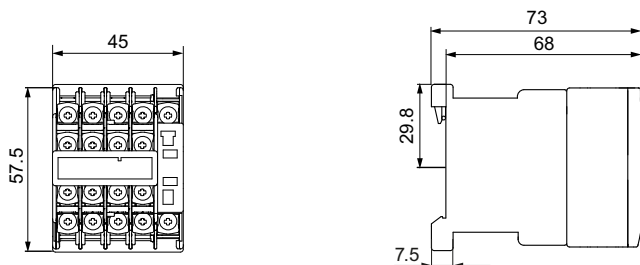
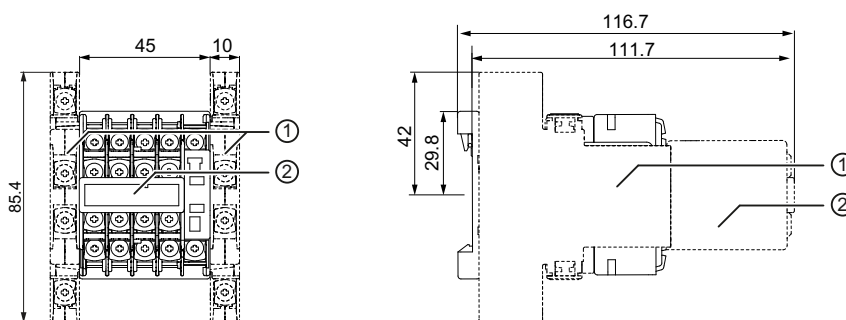


Figure C-7 3RT2.1-4 contactor and 3RH21..-4 contactor relay (ring cable lug connection system)



- 1 Laterally mountable auxiliary switch 3RH2911-4DA..
- 2 Auxiliary switch for mounting on the front 3RH2911-4FA.. / -4GA.. / -4HA.. / -4NF..

Figure C-8 3RT2.1-4 contactor and 3RH21..-4 contactor relay (ring cable lug connection system) with auxiliary switches mounted

Latched 4-pole contactor relay 3RH24..-1 in screw-type connection system

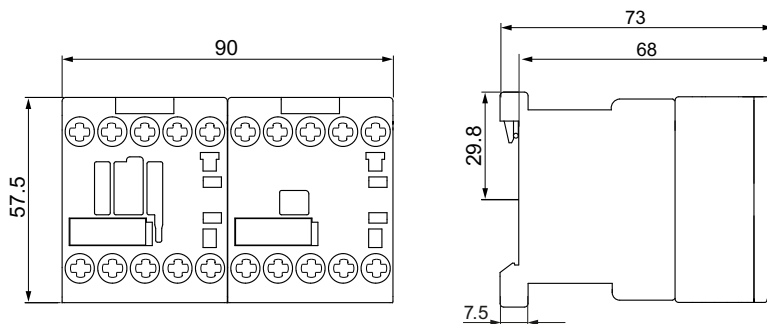


Figure C-9 Latched 4-pole contactor relay 3RH24..-1 (screw-type connection system)

3RH24..(0LA0) contactor relay with extended operating range in screw-type connection system

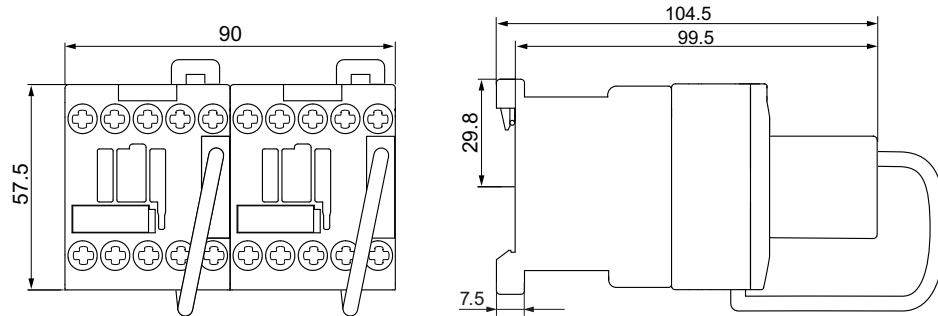


Figure C-10 3RH24.. contactor relay with extended operating range (screw-type connection system)

3RH201./3RH21..(0LA0) contactor relays with extended operating range in spring-loaded connection system

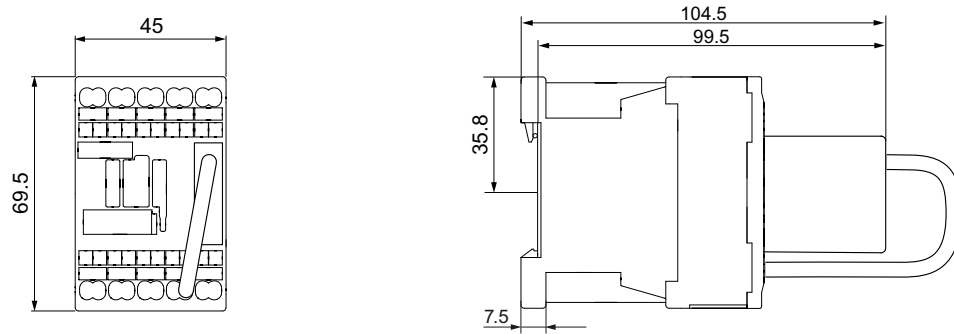


Figure C-11 3RH201. and 3RH21.. contactor relays with extended operating range (spring-loaded connection system)

Drilling plans for 3RT2.1.-1/3RT2.1-4./3RT2.1.-2 contactors and 3RH21.. 1/3RH21..-4/3RH21..-2 contactor relays

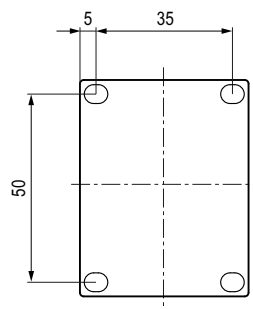


Figure C-12 Drilling plan for contactors and contactor relays with screw-type connections and ring cable lug connections (size S00)

C.3 3RT2.2 contactors (size S0)

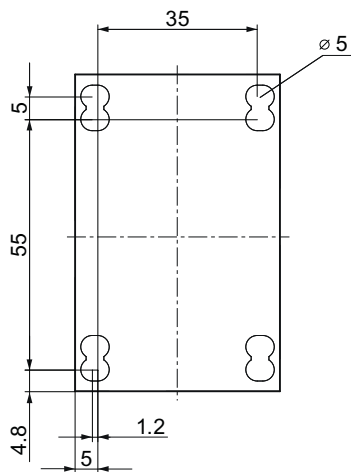


Figure C-13 Drilling plan for contactors and contactor relays with spring-loaded connections (size S0)

C.3 3RT2.2 contactors (size S0)

3RT2.2.-1 contactors (3-pole) in screw-type connection system with accessories mounted

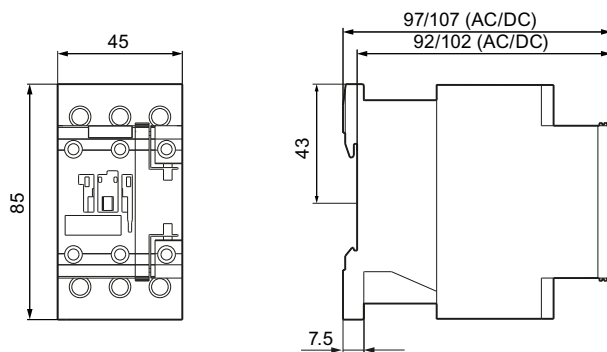
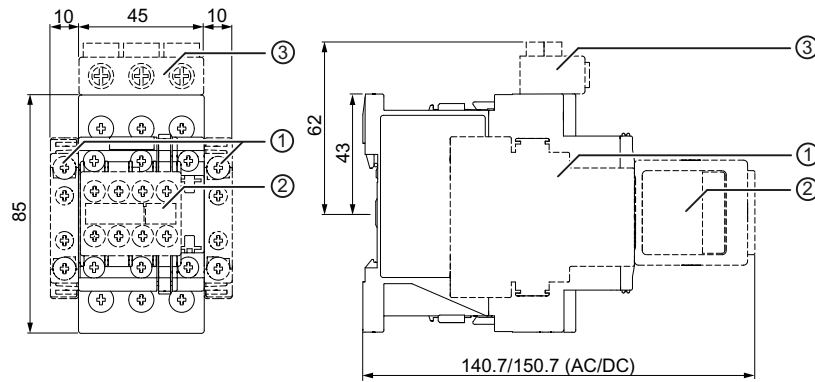
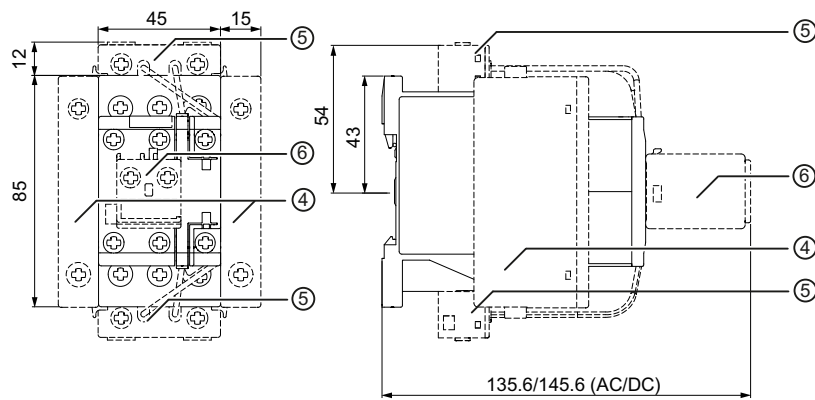


Figure C-14 3RT2.2.-1 contactors (screw-type connection system)



- | | | |
|---|--|--|
| 1 | Laterally mountable auxiliary switch | 3RH2921-1DA.. / -1DE.. |
| 2 | Auxiliary switch for mounting on the front | 3RH2911-1FA.. / -1GA.. / -1HA.. / -1NF.. |
| 3 | 3-phase infeed terminal | 3RV2925-5AB |

Figure C-15 3RT2.2.-1 contactors (screw-type connection system) with auxiliary switches mounted and other accessories



- | | | |
|---|--|----------------------|
| 4 | 4-pole contactor for switching slightly inductive or non-inductive loads | 3RT232. |
| | 4-pole pole-changing contactor for changing the polarity of hoisting gear motors (2 NO contacts and 2 NC contacts) | 3RT252. |
| 5 | Coil terminal module | 3RT2926-4RA11/-4RB11 |
| 6 | Auxiliary switch for mounting on the front | 3RH2911-1AA.. / -1BA |

Figure C-16 3RT2.2.-1 contactors (screw-type connection system) with accessories mounted

3RT2.2.-2/3RT202.-.....-0LA2 contactors (3-pole) in spring-loaded connection system with accessories mounted

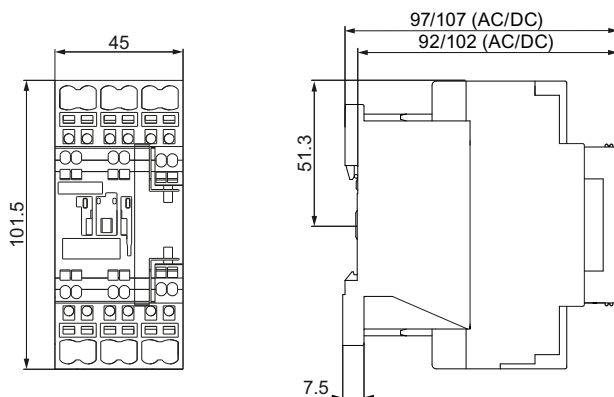
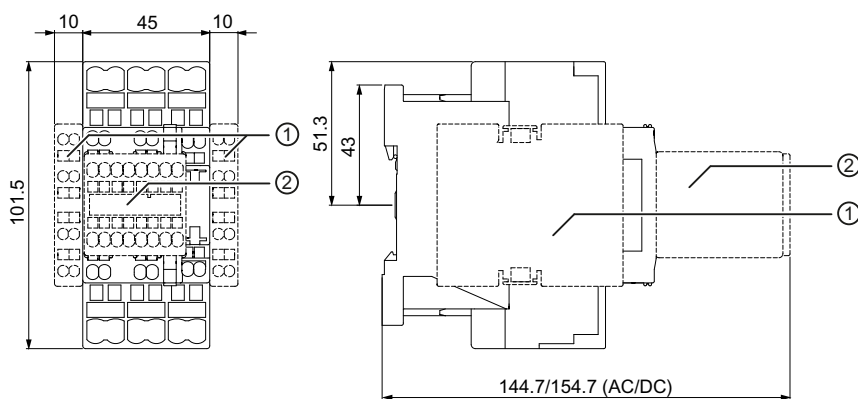
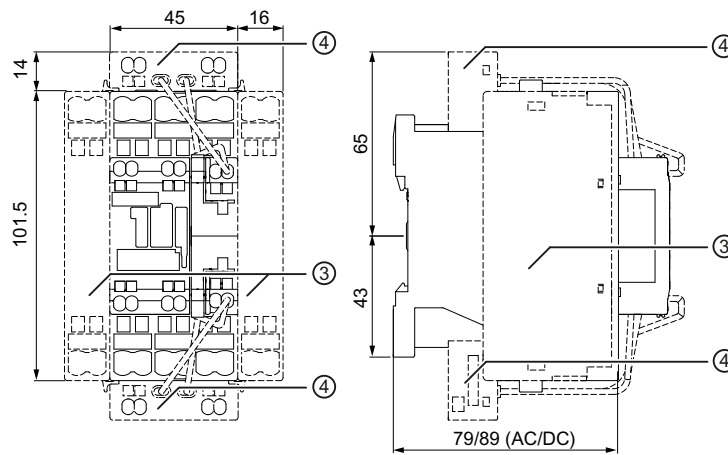


Figure C-17 3RT2.2.-2 and 3RT202.- -0LA2 contactors (spring-loaded connection system)



- | | | |
|---|--|--|
| 1 | Laterally mountable auxiliary switch | 3RH2921-2DA.. / -2DE.. |
| 2 | Auxiliary switch for mounting on the front | 3RH2911-2FA.. / -2GA.. / -2HA.. / -2NF.. |

Figure C-18 3RT2.2.-2 and 3RT202.- -0LA2 contactors (spring-loaded connection system) with auxiliary switches mounted



- 3 4-pole contactor for switching slightly inductive or non-inductive loads 3RT232.
- 4-pole pole-changing contactor for changing the polarity of hoisting gear motors (2 NO contacts and 2 NC contacts) 3RT252.
- 4 Coil terminal module (from above/from below) 3RT2926-4RA12/-4RB12

Figure C-19 3RT2.2.-2 and 3RT202.-.....-0LA2 contactors (spring-loaded connection system) with accessories mounted

3RT2.2.-4 contactors (3-pole) in ring cable lug connection system with accessories mounted

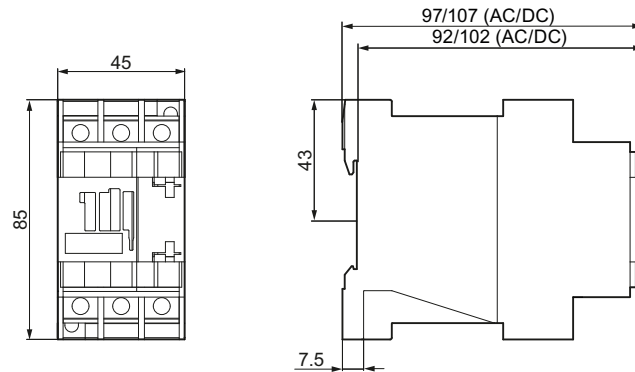
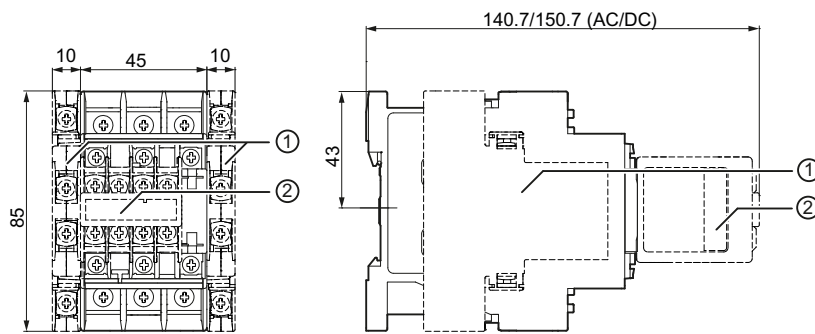


Figure C-20 3RT2.2.-4 contactors (ring cable lug connection system)

C.3 3RT2.2 contactors (size S0)



- 1 Laterally mountable auxiliary switch 3RH2921-4DA..
- 2 Auxiliary switch for mounting on the front 3RH2911-4FA.. / -4GA.. / -4HA.. / -4NF..

Figure C-21 3RT2.2-4 contactors (ring cable lug connection system) with auxiliary switches mounted

Drilling plan for the 3RT202.-1 / 3RT232.-1 / 3RT252.-1 contactors

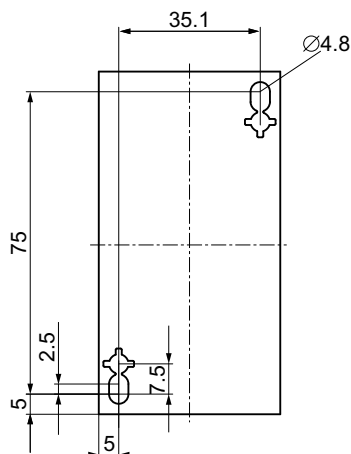


Figure C-22 Drilling plan for the 3RT202.-1 / 3RT232.-1 / 3RT252.-1 contactors (size S0)

Drilling plan for 3RT202.-2 contactors

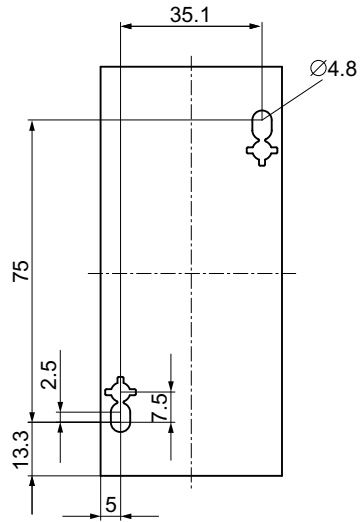


Figure C-23 Drilling plan for 3RT202.-2 contactors (size S0)

Drilling plan for 3RT202.-4 contactors

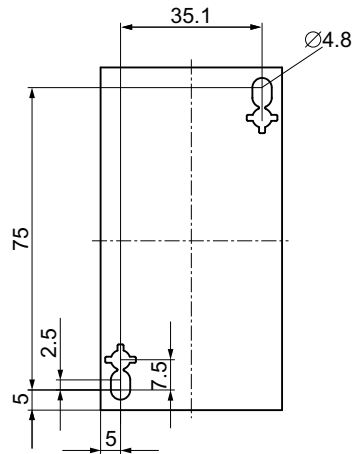


Figure C-24 Drilling plan for 3RT202.-4 contactors (size S0)

C.4 3RT2.3 contactors (size S2)

3RT2.3.-1 contactors (3-pole) with accessories mounted

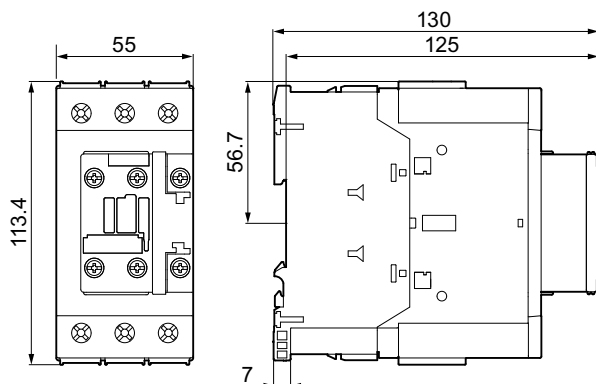
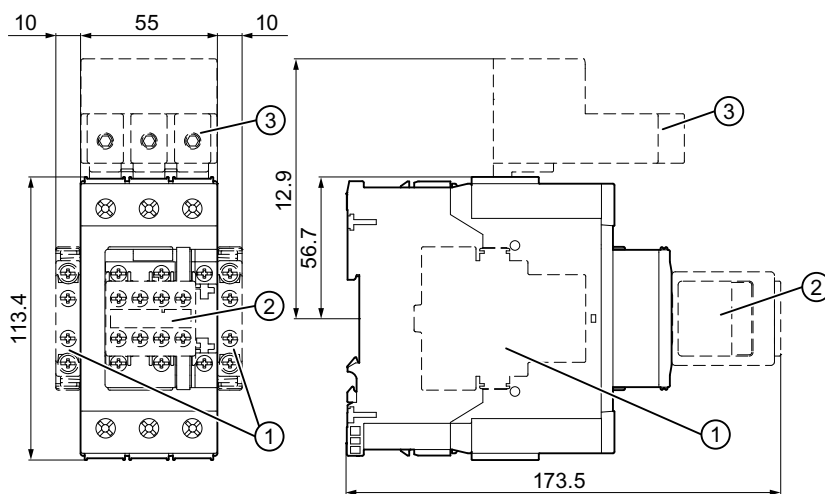
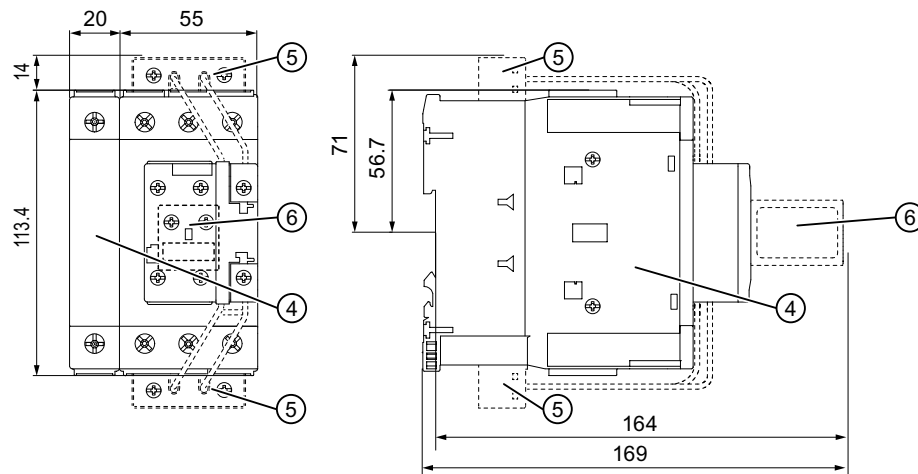


Figure C-25 3RT2.3.-1 contactor (screw-type connection system)



- | | | |
|---|--|--|
| 1 | Laterally mountable auxiliary switch | 3RH2921-1DA.. / -1DE.. |
| 2 | Auxiliary switch for mounting on the front | 3RH2911-1FA.. / -1GA.. / -1HA.. / -1NF.. |
| 3 | 3-phase infeed terminal | 3RV2925-5AB |

Figure C-26 3RT2.3.-1 contactors (screw-type connection system) with auxiliary switches mounted and 3-phase infeed terminal



- 4 4-pole contactor for switching slightly inductive 3RT233.-1
or non-inductive loads
- 4-pole pole-changing contactor for changing 3RT253.-1
the polarity of hoisting gear motors (2 NO con-
tacts and 2 NC contacts)
- 5 Coil terminal module 3RT2926-4RA11 / -4RB11
- 6 Auxiliary switch for mounting on the front 3RH2911-1AA.. / -1BA

Figure C-27 3RT2.3.-1 contactors (screw-type connection system) with attached accessories

3RT2.3.-3 contactors (3-pole) with attached accessories

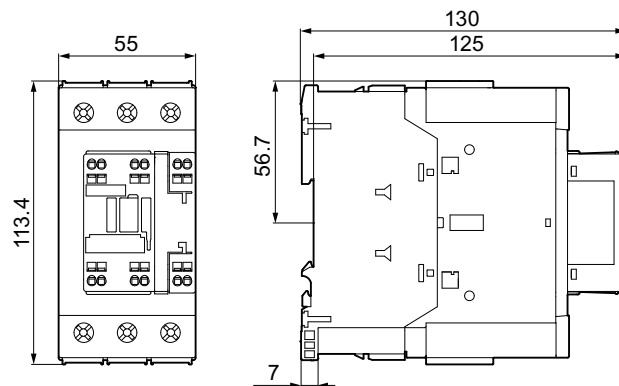
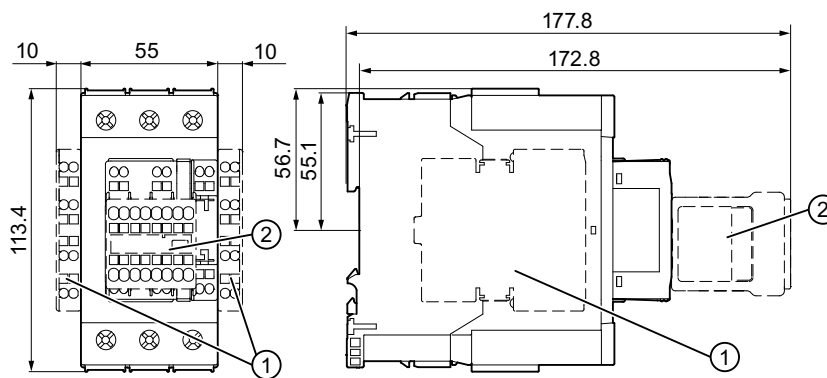


Figure C-28 3RT2.3.-3 contactor (spring-loaded connection system)

C.4 3RT2.3 contactors (size S2)



- 1 Laterally mountable auxiliary switch 3RH2921-1DA.. / -1DE..
- 2 Auxiliary switch for mounting on the front 3RH2911-1FA.. / -1GA.. / -1HA.. / -1NF..

Figure C-29 3RT2.3.-3 contactors (screw-type connection system) with auxiliary switches mounted

Drilling diagram for 3RT2.3. contactors

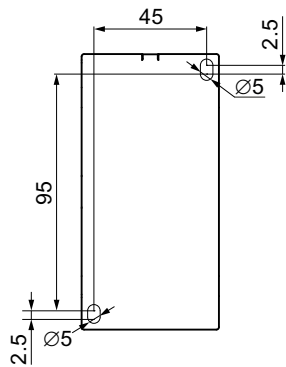


Figure C-30 Drilling plan for 3RT2.3. contactors (size S2)

C.5 3RT2.4 contactors (size S3)

3RT2.4.-1 contactors with attached accessories

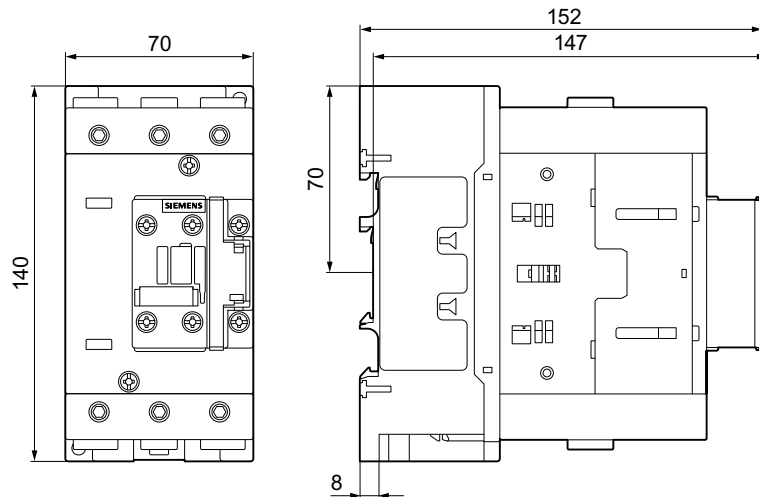
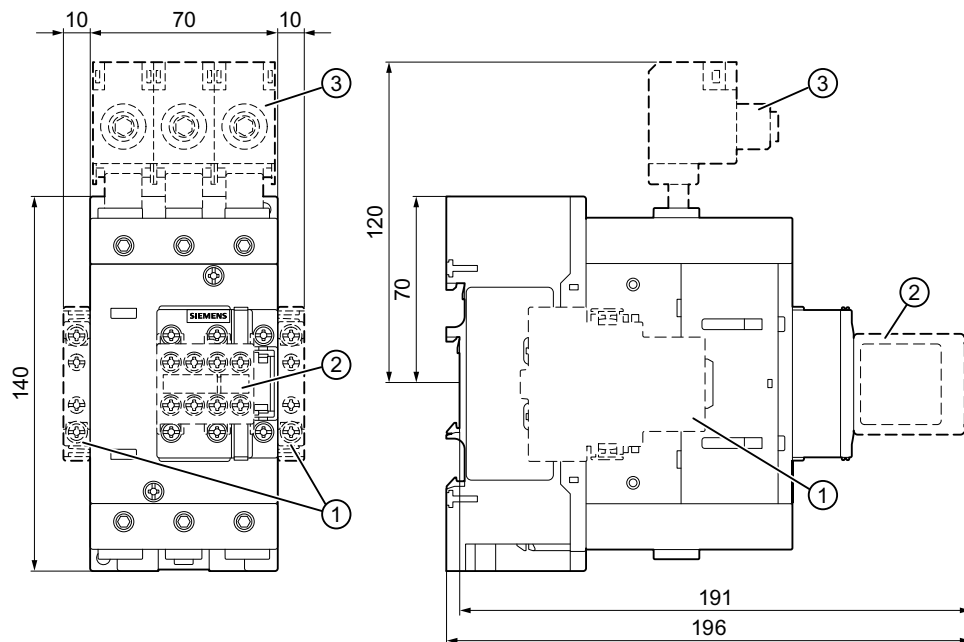


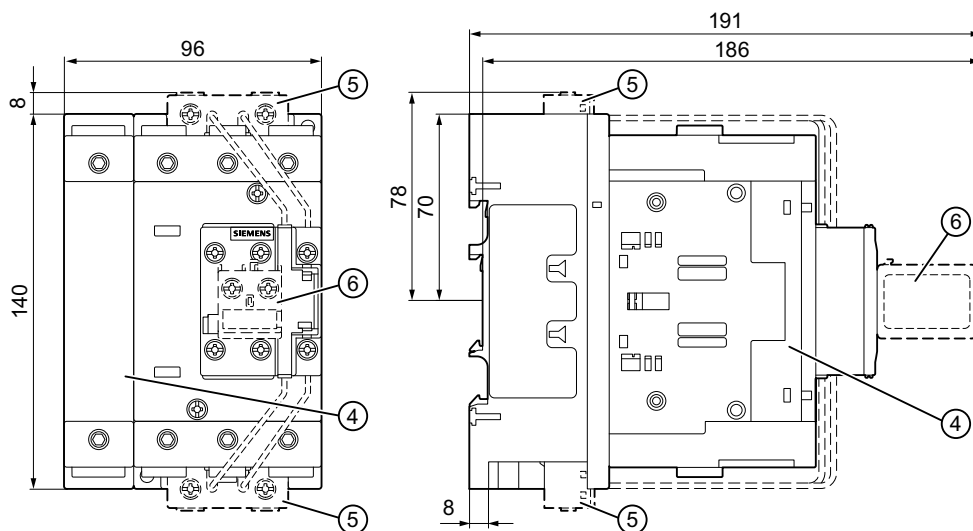
Figure C-31 3RT204.-1 contactor (3-pole)



- | | | |
|---|--|--|
| 1 | Laterally mountable auxiliary switch | 3RH2921-1DA.. / -1DE.. |
| 2 | Auxiliary switch for mounting on the front | 3RH2911-1FA.. / -1GA.. / -1HA.. / -1NF.. |
| 3 | Single-phase infeed terminal (3 x) | 3RA2943-3L |

Figure C-32 3RT204.-1 contactors (screw-type connection system) with auxiliary switches mounted and 1-phase infeed terminals

C.5 3RT2.4 contactors (size S3)



- 4 4-pole contactor for switching slightly inductive 3RT233.-1
or non-inductive loads
4-pole pole-changing contactor for changing 3RT253.-1
the polarity of hoisting gear motors (2 NO con-
tacts and 2 NC contacts)
- 5 Coil terminal module 3RT2926-4RA11 / -4RB11
- 6 Auxiliary switch for mounting on the front 3RH2911-1AA.. / -1BA

Figure C-33 3RT2.4.-1 contactors (screw-type connection system) with attached accessories

3RT204.-3 contactors (3-pole) with attached accessories

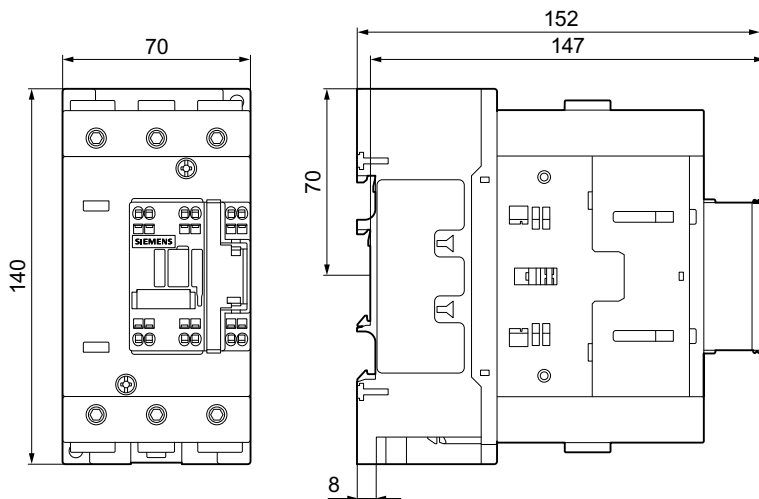
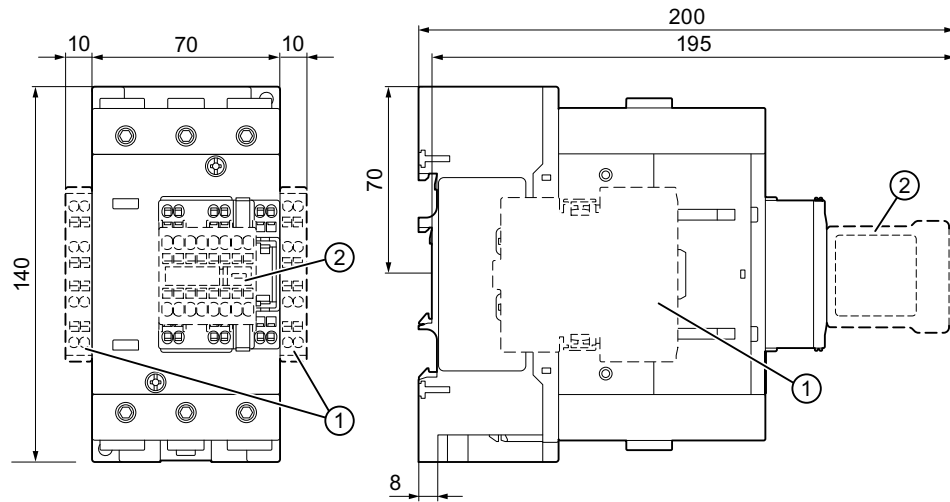


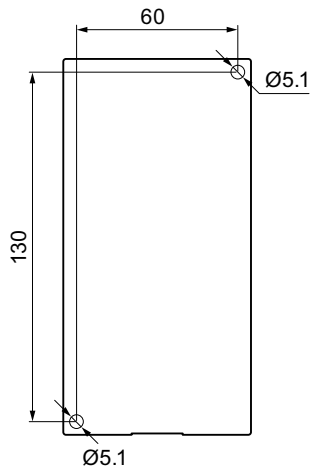
Figure C-34 3RT204.-3 (spring-loaded connection system)



- 1 Laterally mountable auxiliary switch 3RH2921-1DA.. / -1DE..
- 2 Auxiliary switch for mounting on the front 3RH2911-1FA.. / -1GA.. / -1HA.. / -1NF..

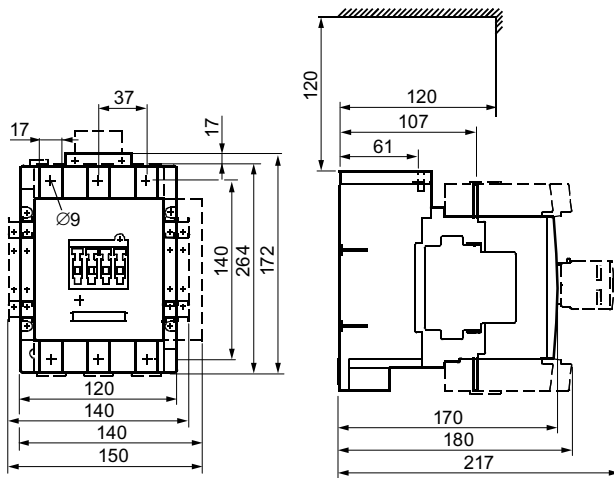
Figure C-35 3RT204.-3 contactor (spring-loaded connection system) with auxiliary switches mounted

Drilling diagram for 3RT2.4 contactors

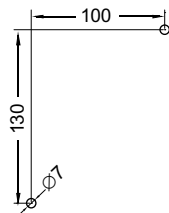


C.6 3RT105 / 3RT145 contactors (size S6)

3RT105 / 3RT145 contactors



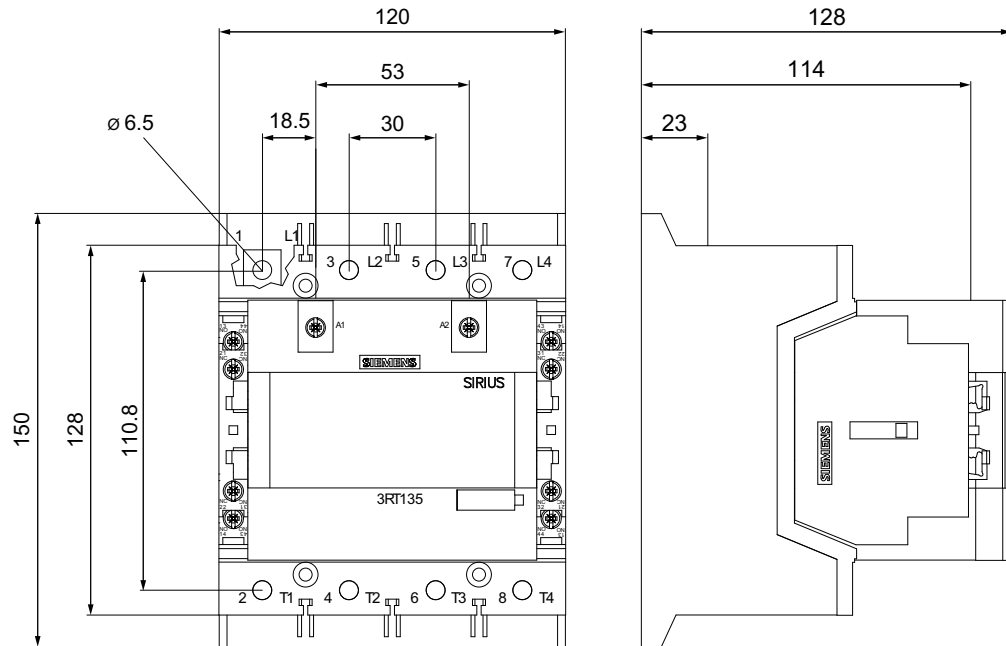
Drilling diagram for 3RT1.5. contactors



C.7 3RT135 contactors (size S6)

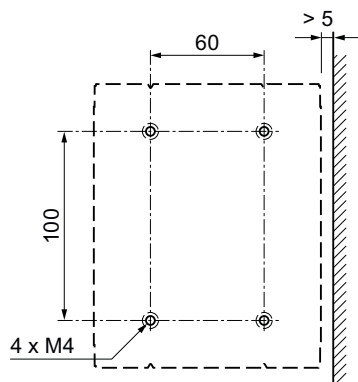
C.7.1 3RT135 contactors

3RT135 contactors



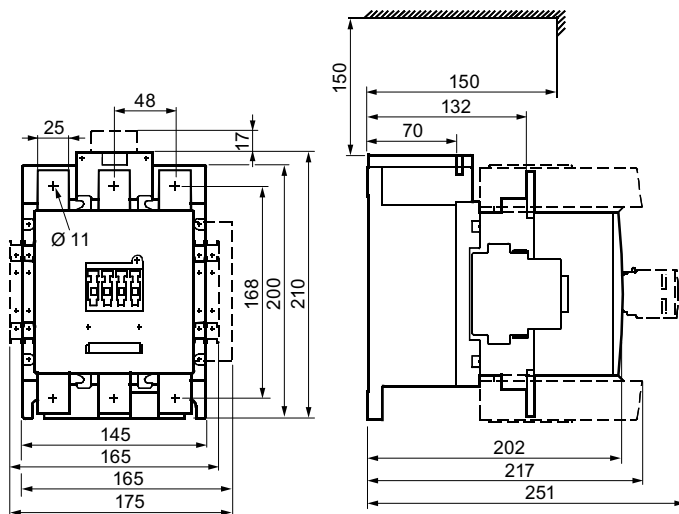
C.7.2 Drilling plan for contactors

Drilling plan for 3RT135 contactors

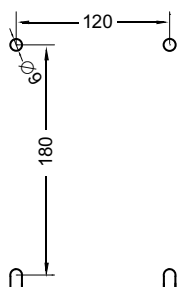


C.8 3RT106 / 3RT146 contactors (size S10)

3RT106 / 3RT146 contactors



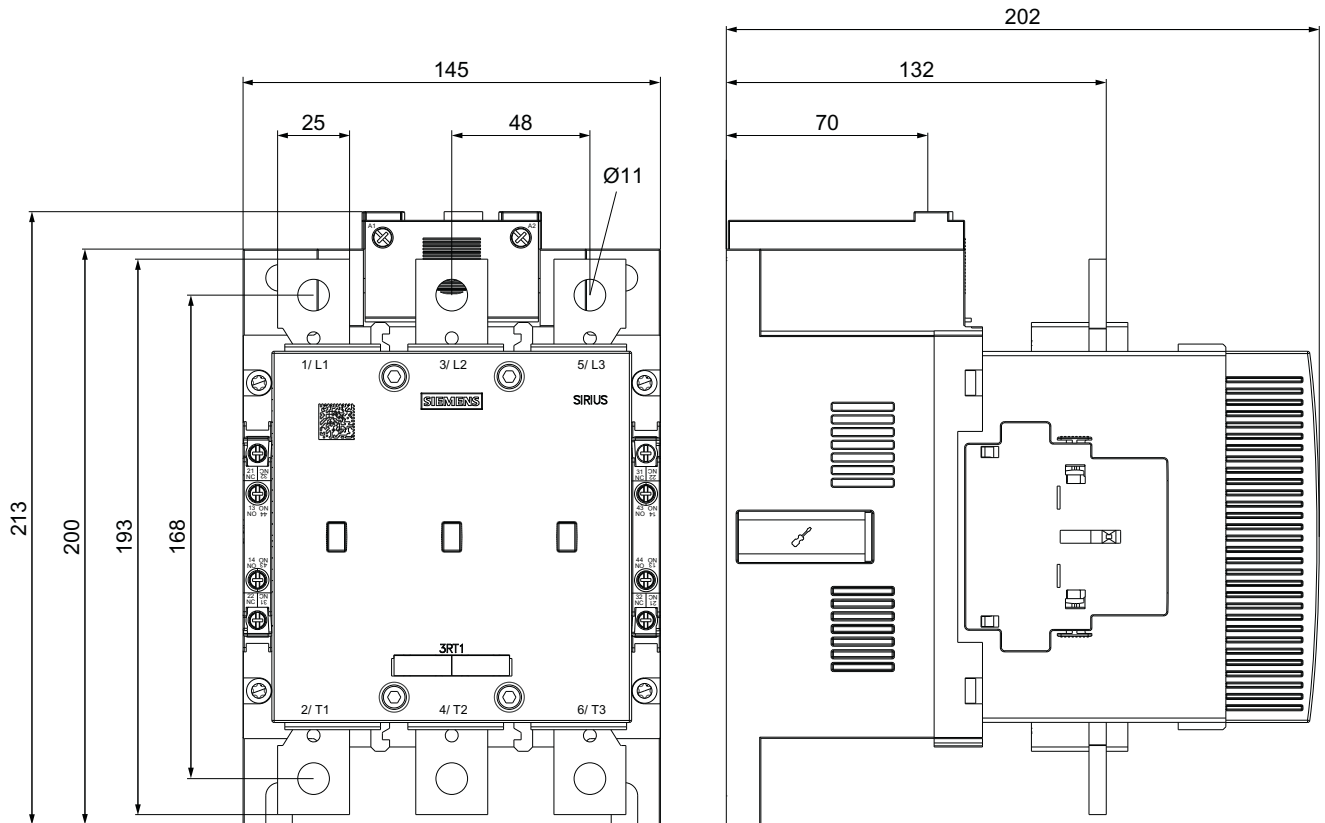
Drilling diagram for 3RT1.6. contactors



C.9 3RT126 contactors (size S10)

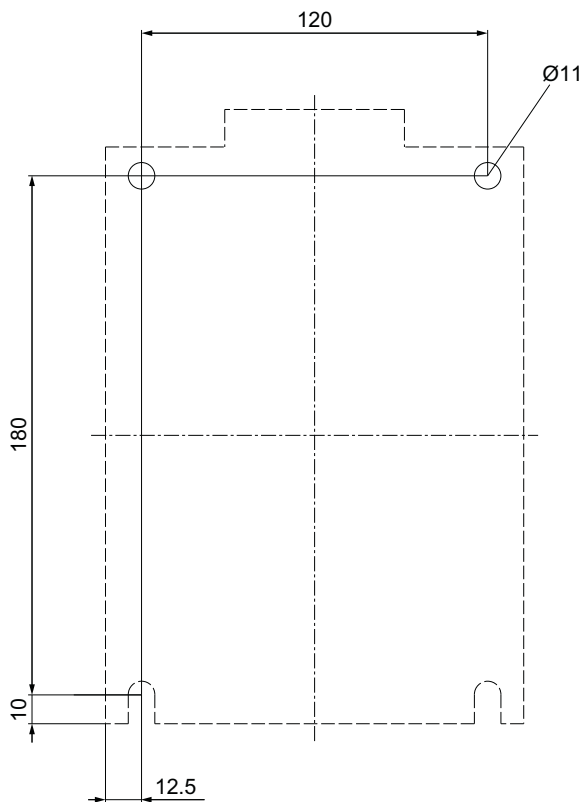
C.9.1 3RT126 contactors

3RT126 contactors



C.9.2 Drilling plan for contactors

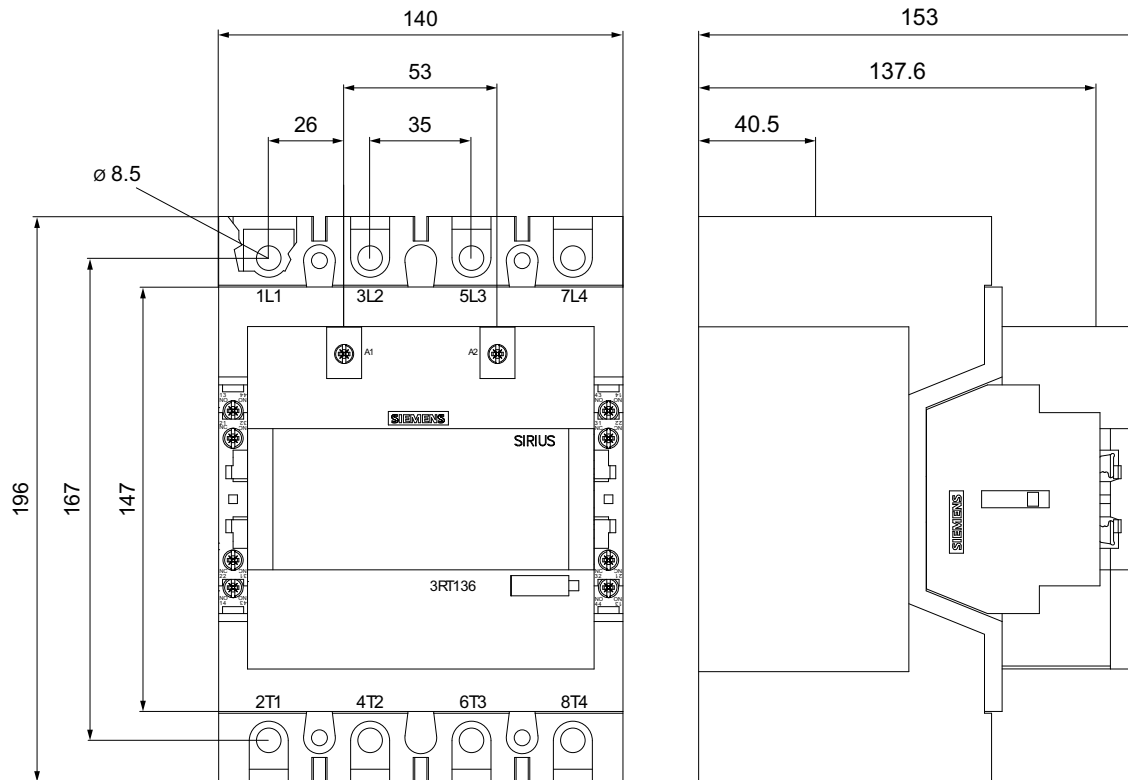
Drilling plan for 3RT126 contactors



C.10 3RT136 contactors (size S10)

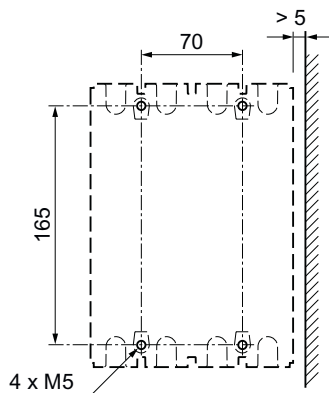
C.10.1 3RT136 contactors

3RT136 contactors



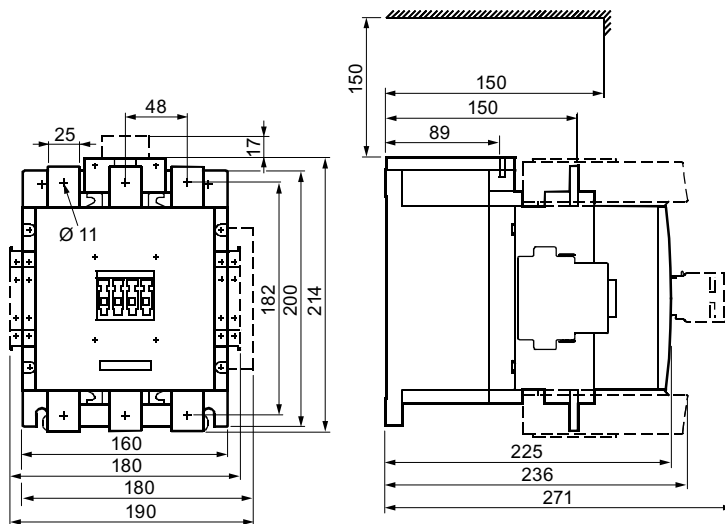
C.10.2 Drilling plan for contactors

Drilling plan for 3RT136 contactors

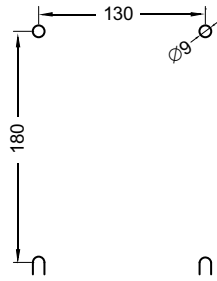


C.11 3RT107 / 3RT147 contactors (size S12)

3RT107 / 3RT147 contactors



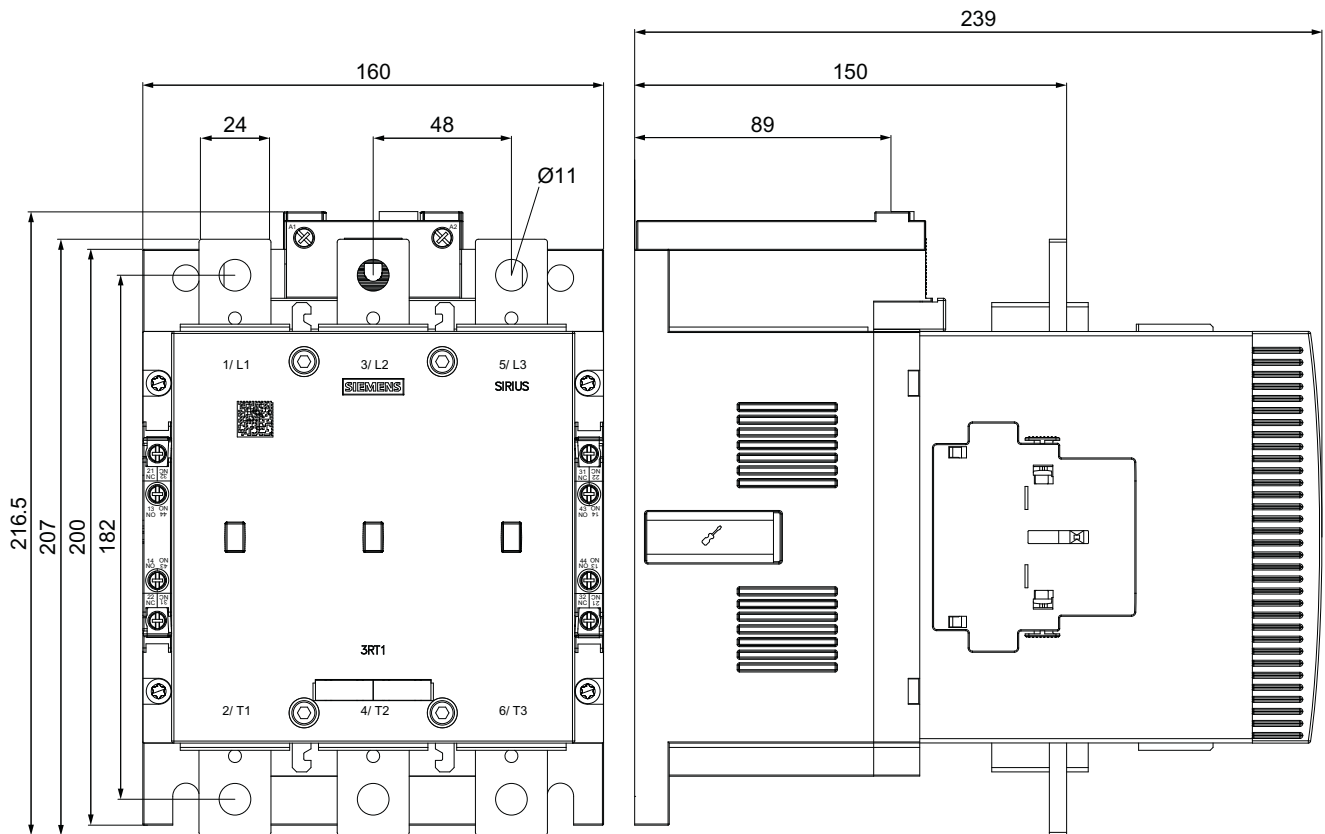
Drilling diagram for 3RT1.7 contactors



C.12 3RT127 contactors (size S12)

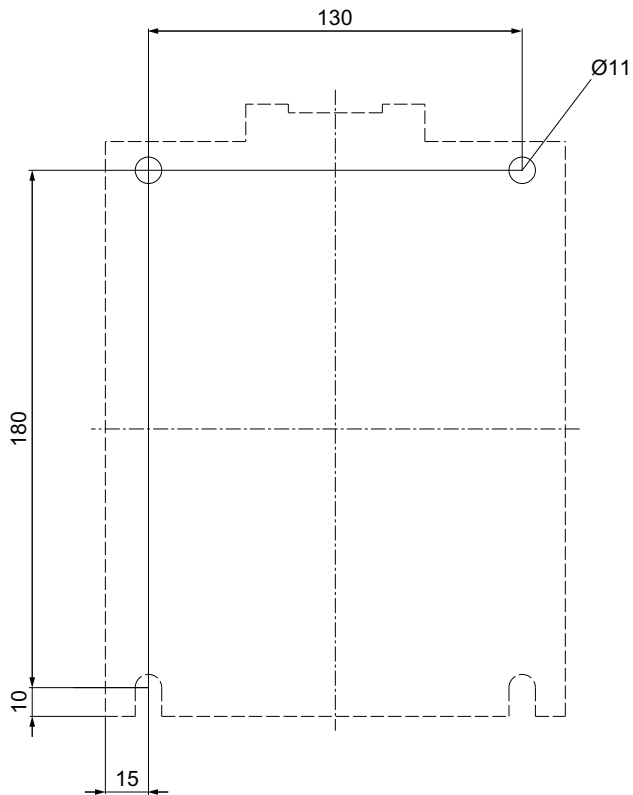
C.12.1 3RT127 contactors

3RT127 contactors



C.12.2 Drilling plan for contactors

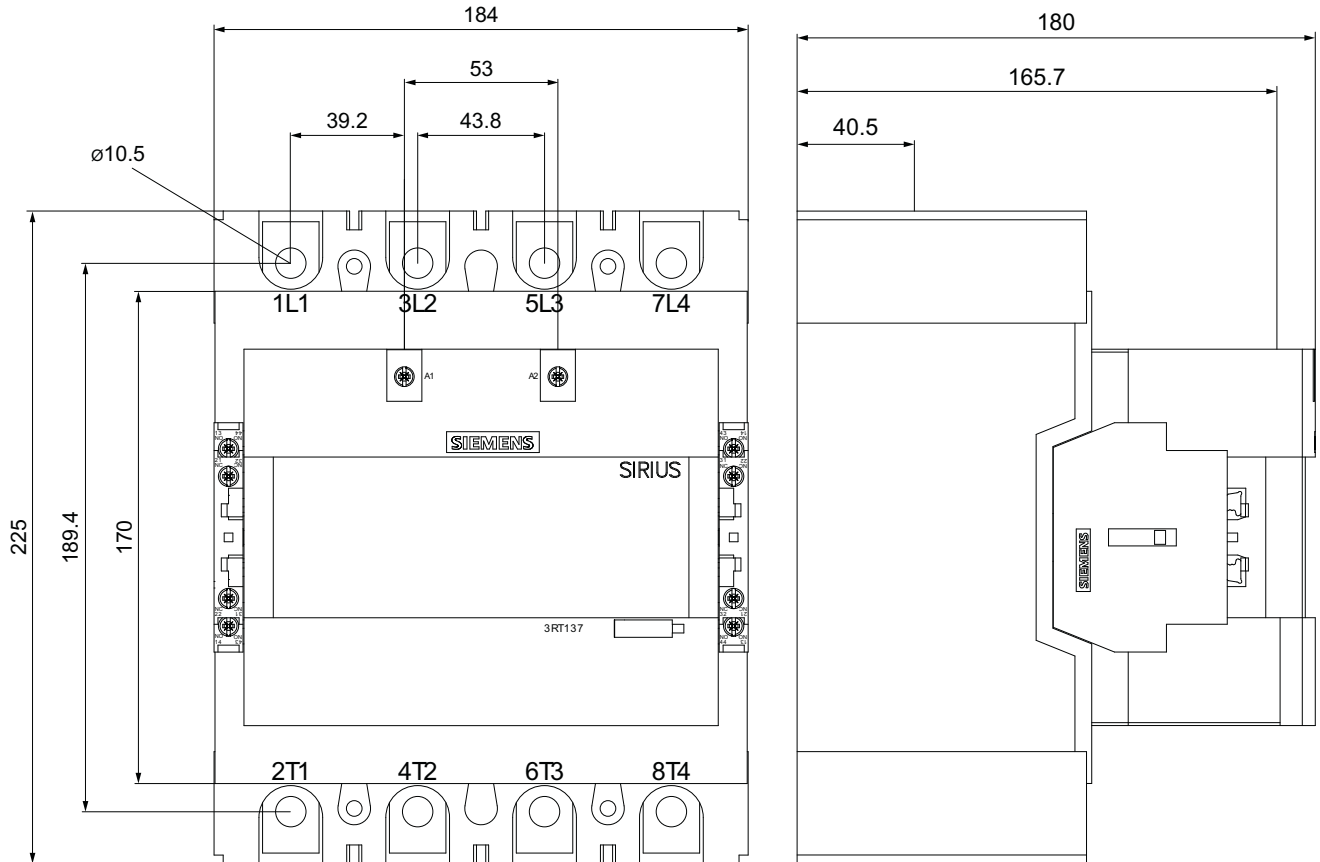
Drilling plan for 3RT127 contactors



C.13 3RT137 contactors (size S12)

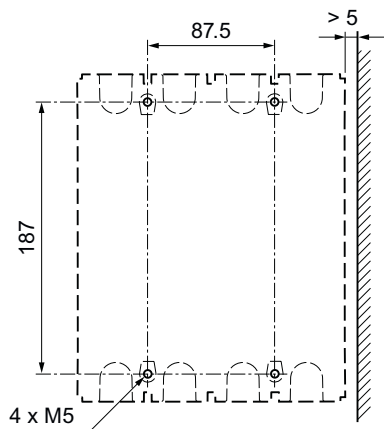
C.13.1 3RT137 contactors

3RT137 contactors



C.13.2 Drilling plan for contactors

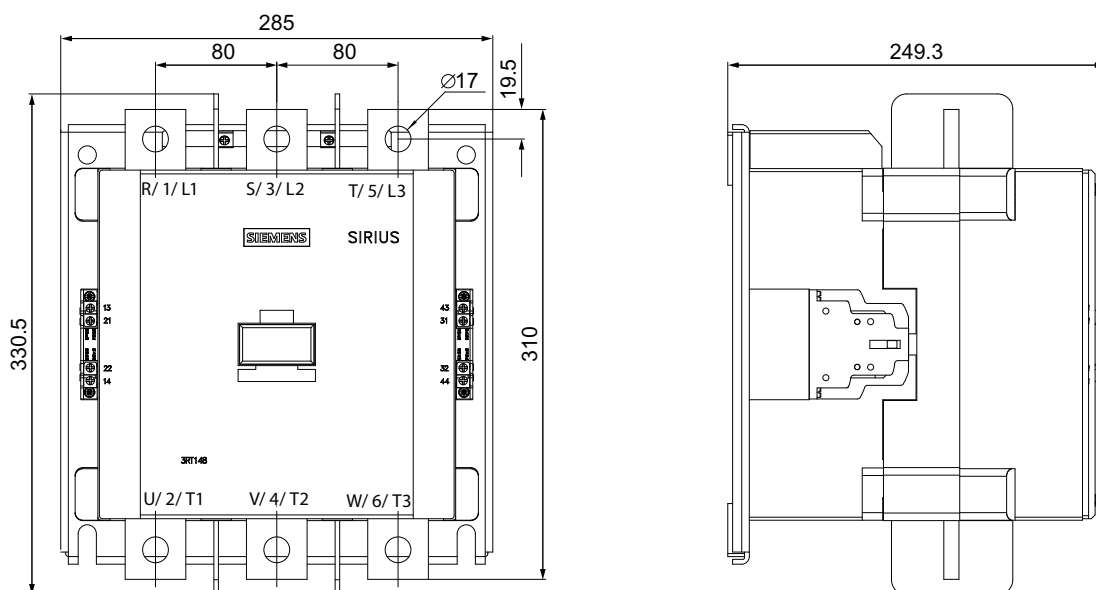
Drilling plan for 3RT137 contactors



C.14 3RT148 contactors

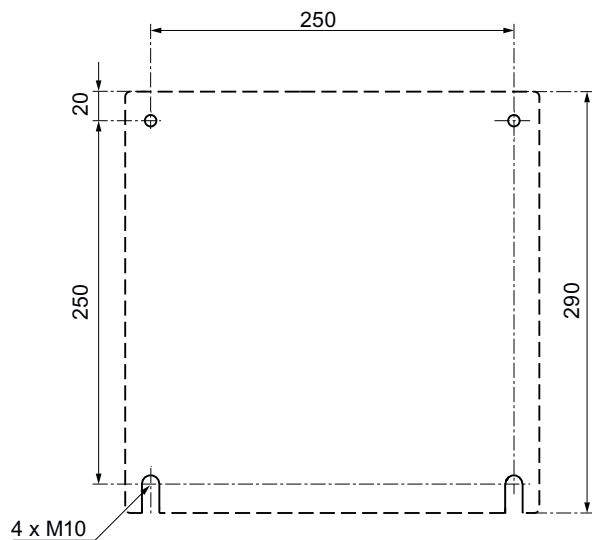
C.14.1 3RT1481 and 3RT1482 contactors

3RT1481 and 3RT1482 contactors



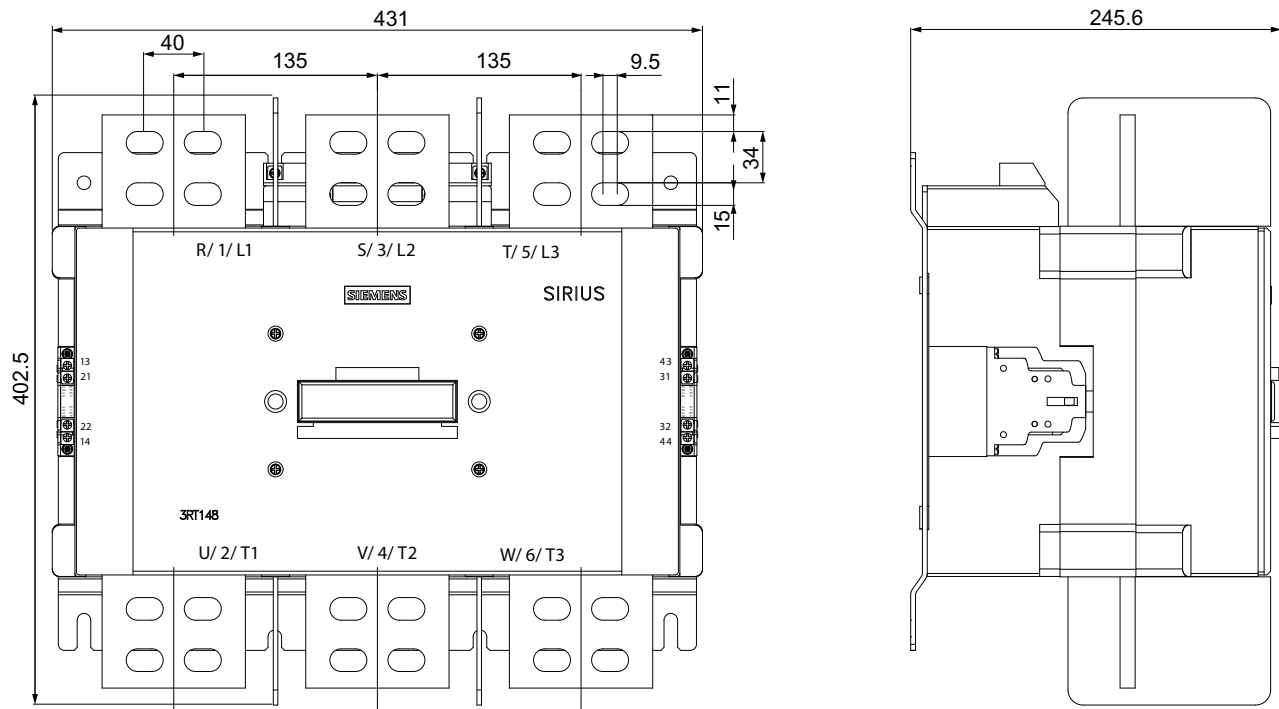
C.14.4 Drilling plan for 3RT1483 contactors

Drilling plan for 3RT1483 contactors



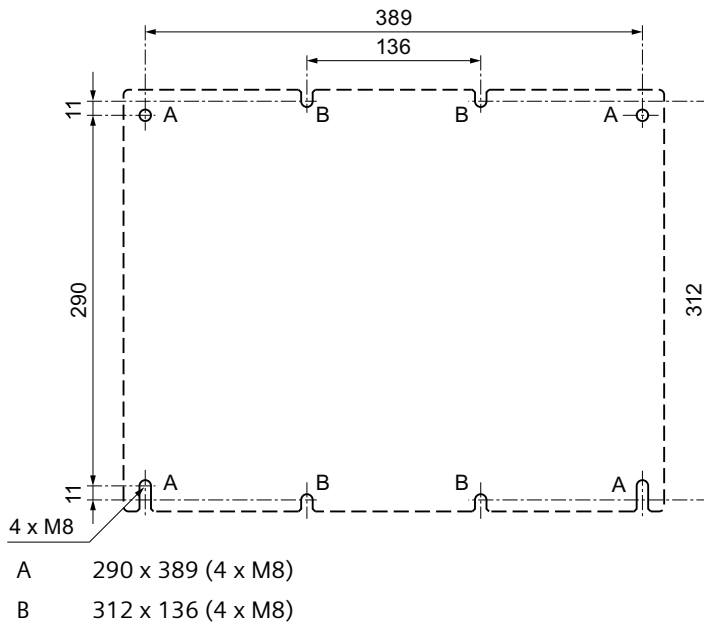
C.14.5 3RT1485 and 3RT1486 contactors

3RT1485 and 3RT1486 contactors



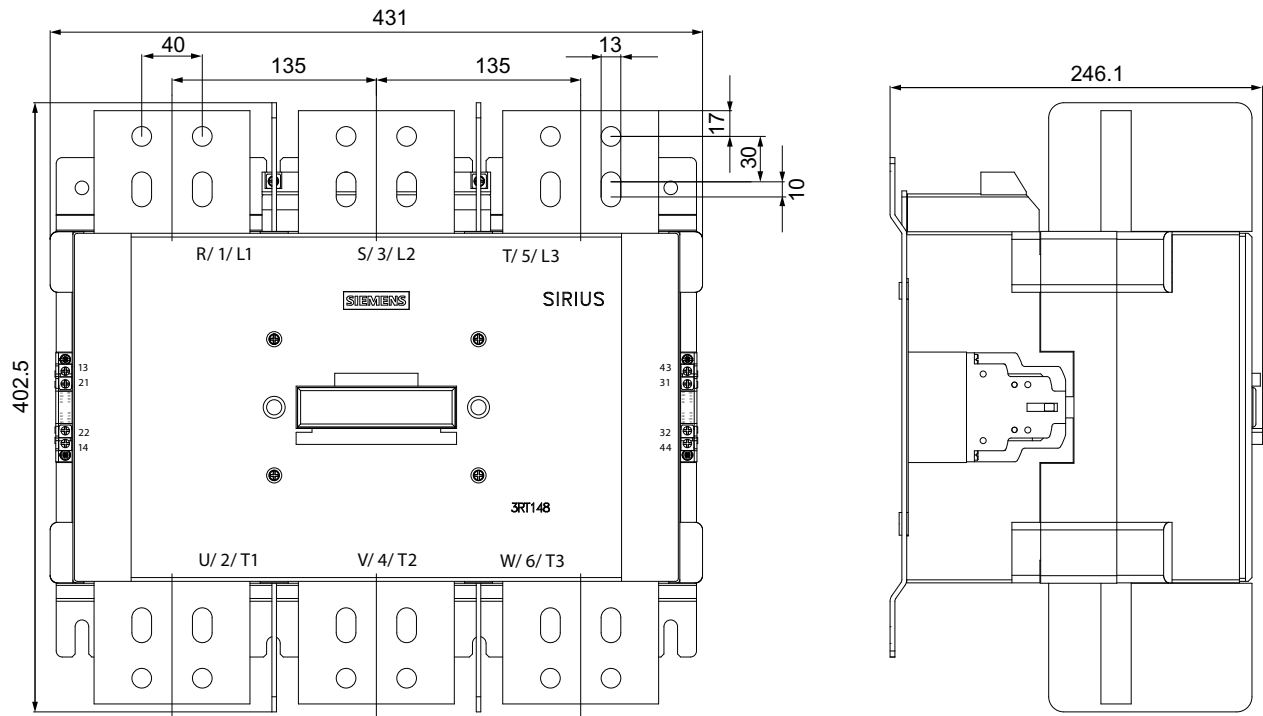
C.14.6 Drilling plan for 3RT1485 and 3RT1486 contactors

Drilling plan for 3RT1485 and 3RT1486 contactors



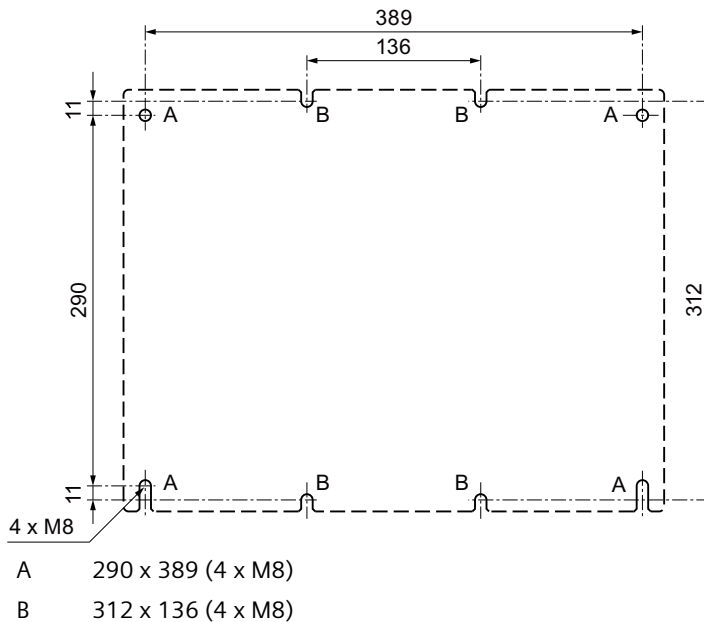
C.14.7 3RT1487 contactors

3RT1487 contactors



C.14.8 Drilling plan for 3RT1487 contactors

Drilling plan for 3RT1487 contactors



C.15 3RT26 capacitor contactors

C.15.1 3RT261 capacitor contactors (size S00)

3RT261.-1...capacitor contactors (size S00)

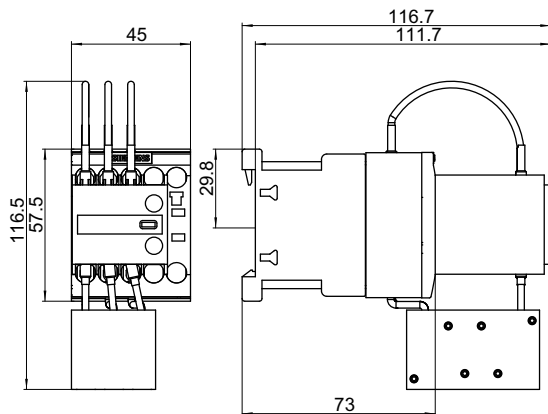


Figure C-36 3RT261.-1...capacitor contactors (size S00)

Drilling diagram for 3RT261.-1.... capacitor contactors (size S00)

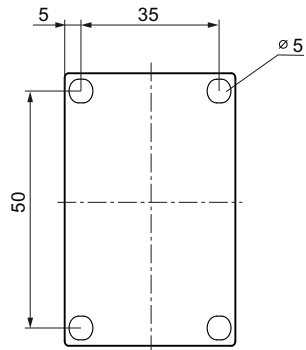


Figure C-37 Drilling diagram for 3RT261.-1.... capacitor contactors (size S00)

C.15.2 3RT262 capacitor contactors (size S0)

3RT262.-1.... capacitor contactors (size S0)

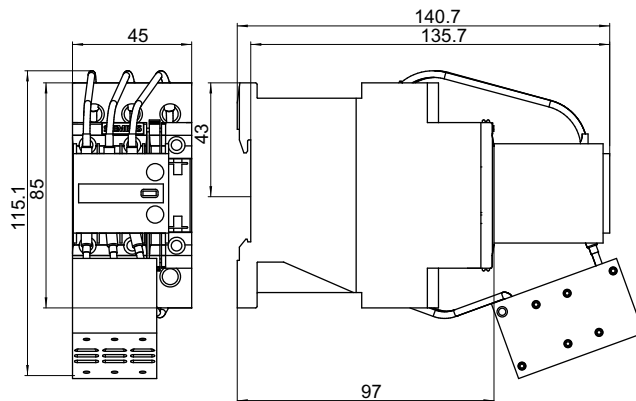


Figure C-38 3RT2625-1A... capacitor contactors (size S0)

C.15 3RT26 capacitor contactors

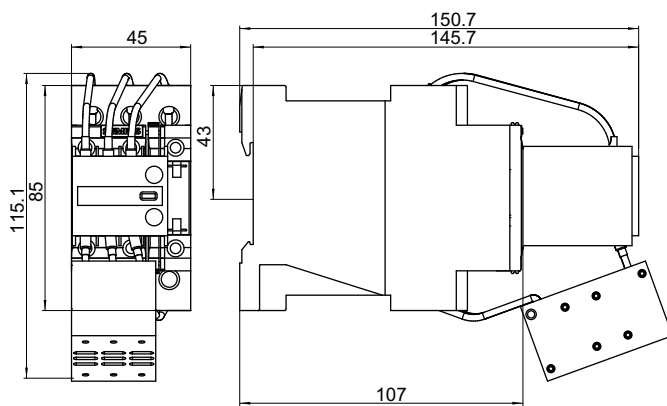


Figure C-39 3RT2625-1B... capacitor contactors (size S0)

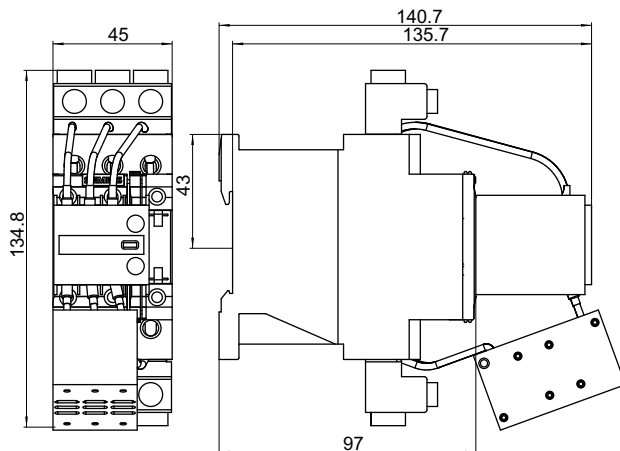


Figure C-40 3RT2628-1A... capacitor contactors (size S0)

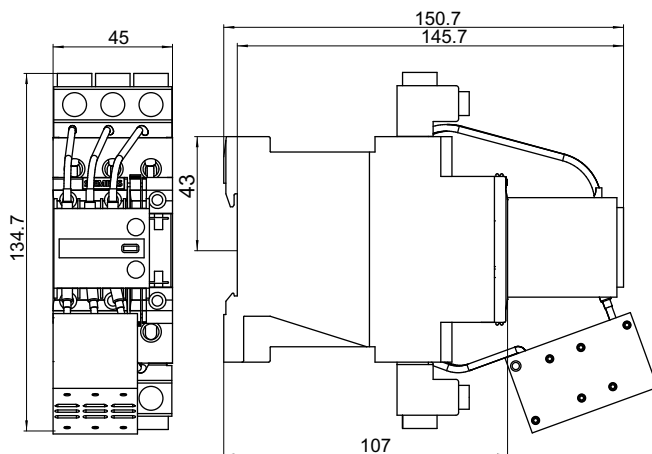


Figure C-41 3RT2628-1B... capacitor contactors (size S0)

Drilling diagram for 3RT262.-1.... capacitor contactors (size S0)

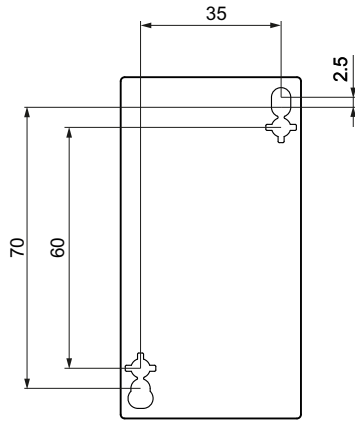


Figure C-42 Drilling diagram for 3RT262.-1.... capacitor contactors (size S0)

C.15.3 3RT263 capacitor contactors (size S2)

3RT263.-1...capacitor contactors (size S2)

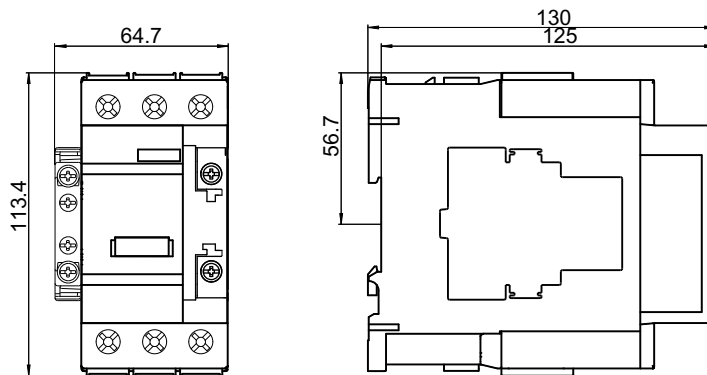


Figure C-43 3RT263.-1...capacitor contactors (size S2)

Drilling diagram for 3RT263.-1.... capacitor contactors (size S2)

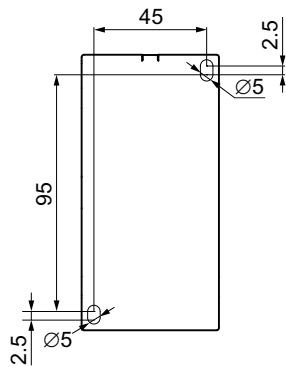


Figure C-44 Drilling diagram for 3RT263.-1.... capacitor contactors (size S2)

C.15.4 3RT264 capacitor contactors (size S3)

3RT264.-1...capacitor contactors (size S3)

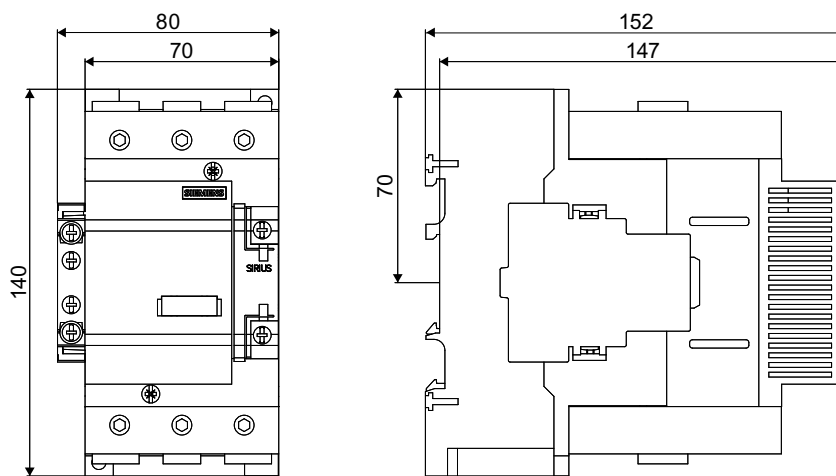


Figure C-45 3RT264.-1...capacitor contactors (size S3)

Drilling diagram for 3RT264.-1.... capacitor contactors (size S3)

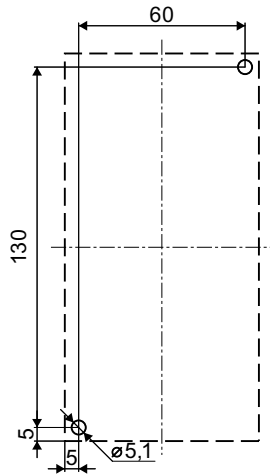


Figure C-46 Drilling diagram for 3RT264.-1.... capacitor contactors (size S3)

C.16 3RA23 reversing contactor assemblies

C.16.1 3RA231 reversing contactor assemblies (size S00)

3RA231.-8X.3.-1 reversing contactor assemblies (size S00, screw-type connection system)

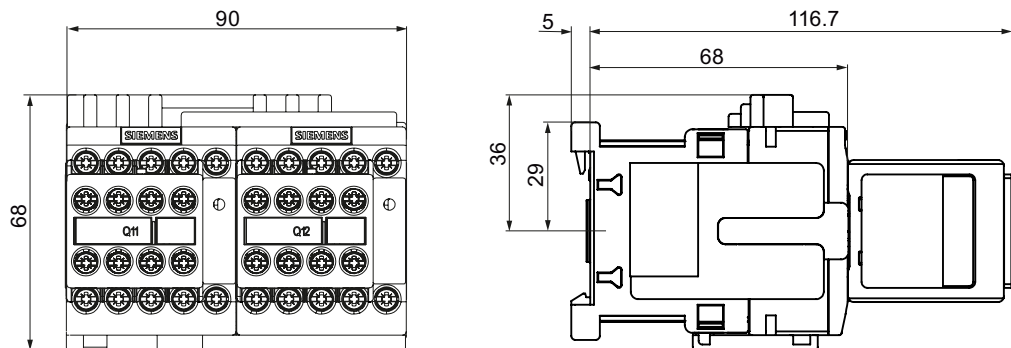


Figure C-47 3RA231.-8X.3.-1 reversing contactor assemblies (size S00, screw-type connection system)

Drilling diagram for the 3RA231.-8X.3.-1 reversing contactor assemblies (size S00, screw-type connection system)

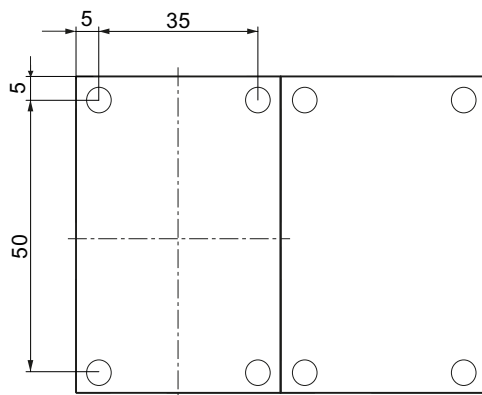


Figure C-48 Drilling diagram for the 3RA231.-8X.3.-1 reversing contactor assemblies (size S00, screw-type connection system)

3RA231.-8X.3.-2 reversing contactor assemblies (size S00, spring-loaded connection)

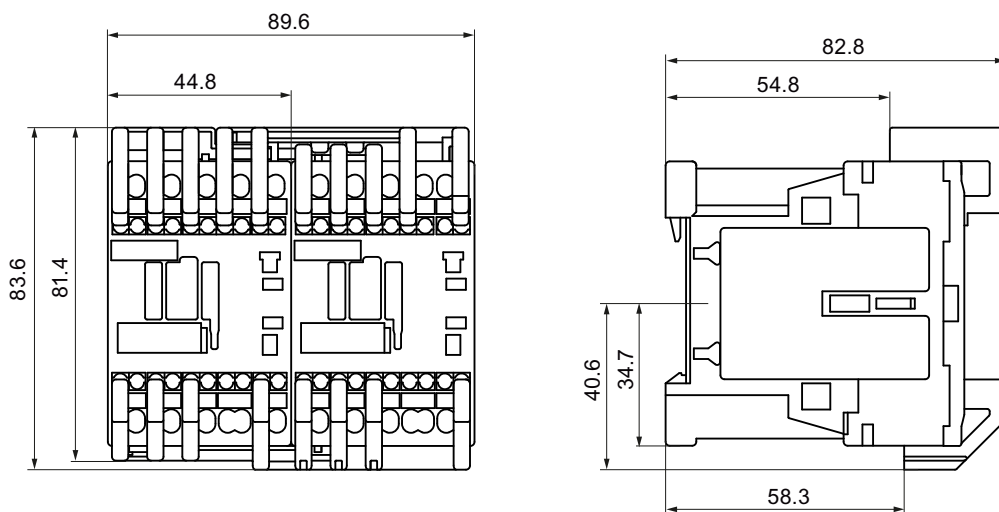


Figure C-49 3RA231.-8X.3.-2 reversing contactor assemblies (size S00, spring-loaded connection)

Drilling diagram of the 3RA231.-8X.3.-2 reversing contactor assemblies (size S00, spring-loaded connection system)

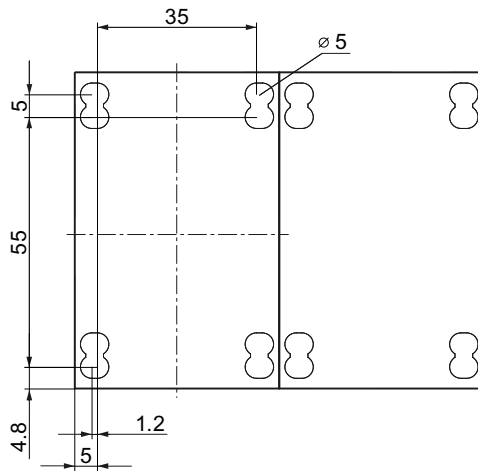


Figure C-50 Drilling diagram of the 3RA231.-8X.3.-2 reversing contactor assemblies (size S00, spring-loaded connection system)

C.16.2 3RA232 reversing contactor assemblies (size S0)

3RA232.-8XB30-1 and 3RA232.-8XD3.-1 reversing contactor assemblies (size S0, screw-type connection system)

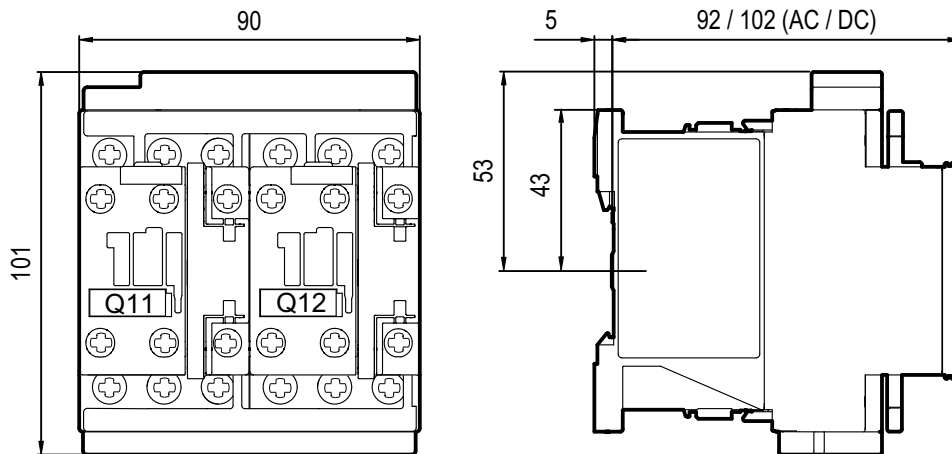


Figure C-51 3RA232.-8XB30-1 reversing contactor assemblies (size S0, screw-type connection system)

C.16 3RA23 reversing contactor assemblies

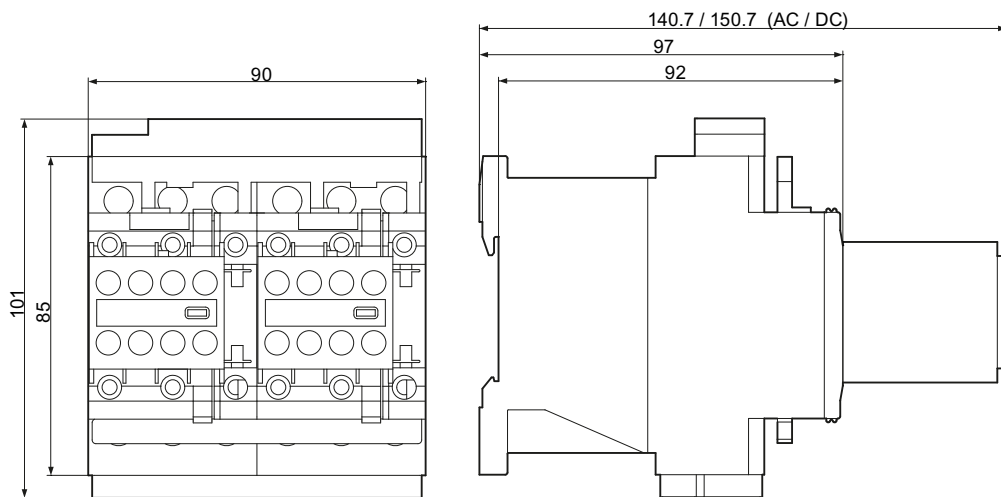


Figure C-52 3RA232.-8XD3.-1 reversing contactor assemblies (size S0, screw-type connection system)

Drilling diagram for 3RA232.-8XB30-1 and 3RA232.-8XD3.-1 reversing contactor assemblies (size S0, screw-type connection system)

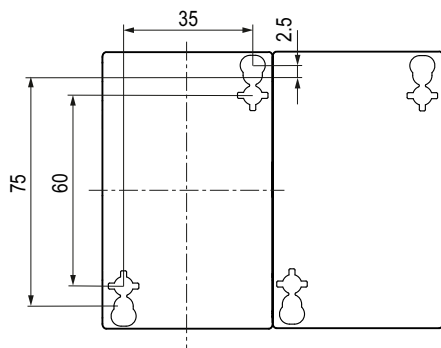


Figure C-53 Drilling diagram for 3RA232.-8XB30-1 and 3RA232.-8XD3.-1 reversing contactor assemblies (size S0, screw-type connection system)

3RA232.-8XB30-2 and 3RA232.-8XD3.-2 reversing contactor assemblies (size S0, spring-loaded connection system)

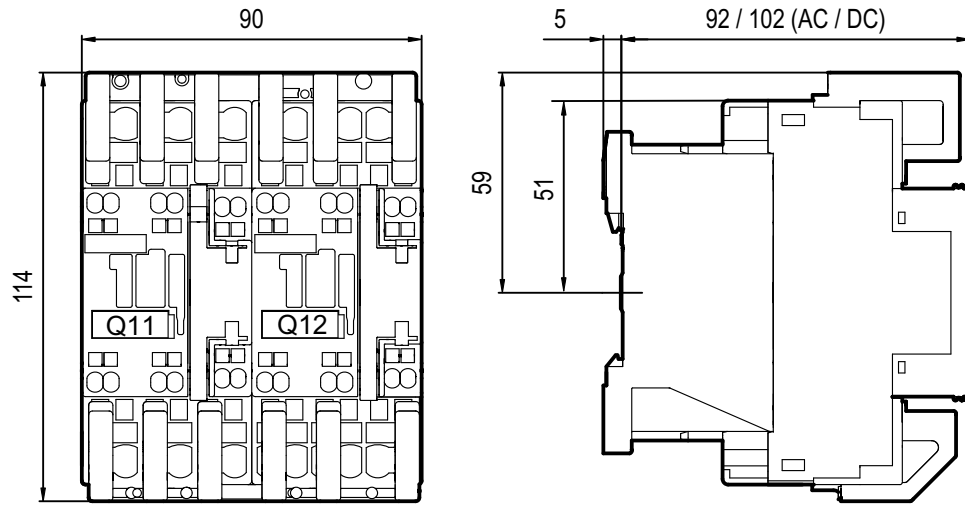


Figure C-54 3RA232.-8XB30-2 reversing contactor assemblies (size S0, spring-loaded connection system)

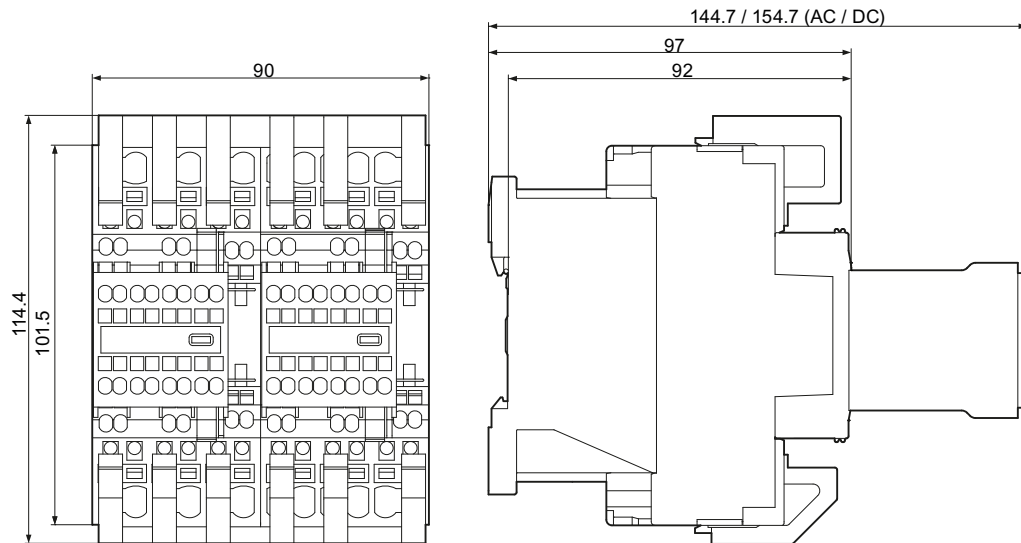


Figure C-55 3RA232.-8XD3.-2 reversing contactor assemblies (size S0, spring-loaded connection system)

Drilling diagram for 3RA232.-8XB30-2 and 3RA232.-8XD3.-2 reversing contactor assemblies (size S0, spring-loaded connection system)

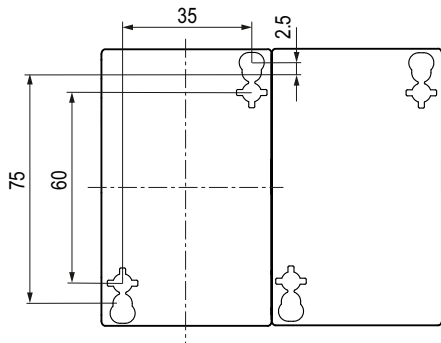


Figure C-56 Drilling diagram for 3RA232.-8XB30-2 and 3RA232.-8XD3.-2 reversing contactor assemblies (size S0, spring-loaded connection system)

C.16.3 3RA233 reversing contactor assemblies (size S2)

3RA233.-8XB30-1 reversing contactor assemblies (size S2)

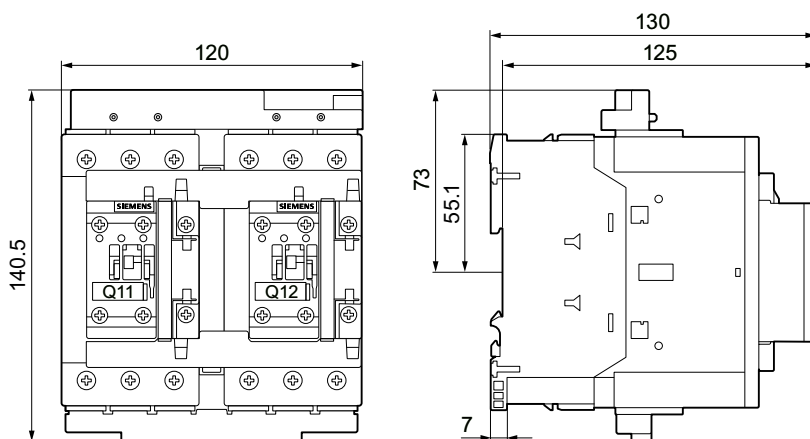


Figure C-57 3RA233.-8XB30-1 reversing contactor assemblies

Drilling diagram for 3RA233.-8XB30-1 reversing contactor assemblies (size S2)

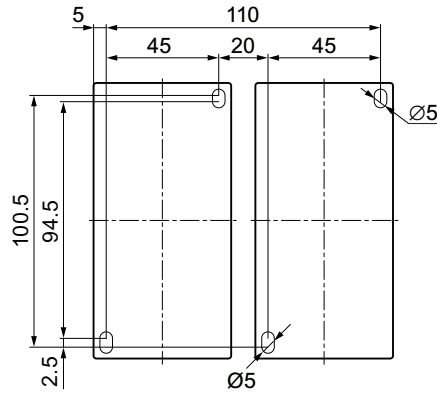
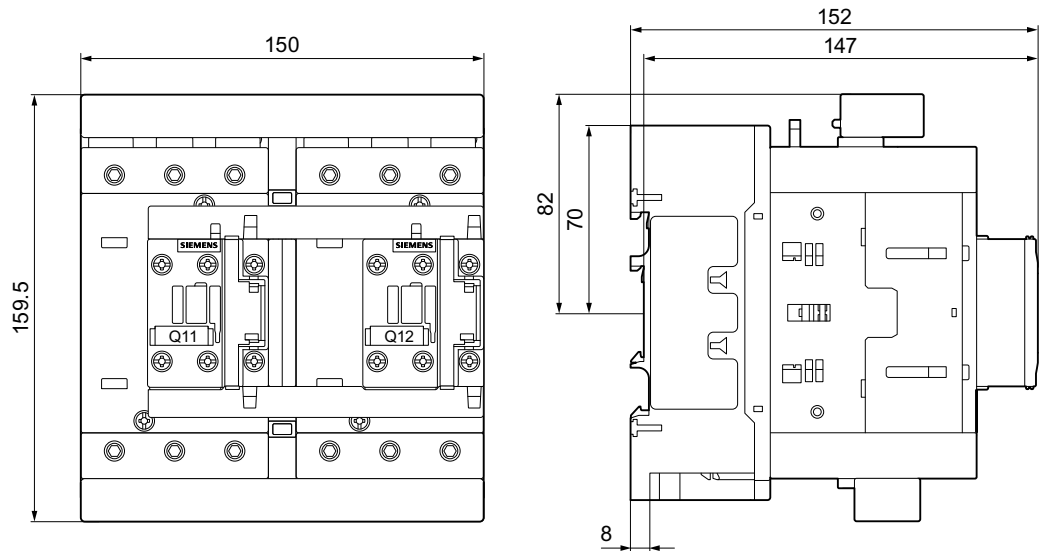


Figure C-58 Drilling diagram for 3RA233.-8XB30-1 reversing contactor assemblies

C.16.4 3RA234 reversing contactor assemblies (size S3)

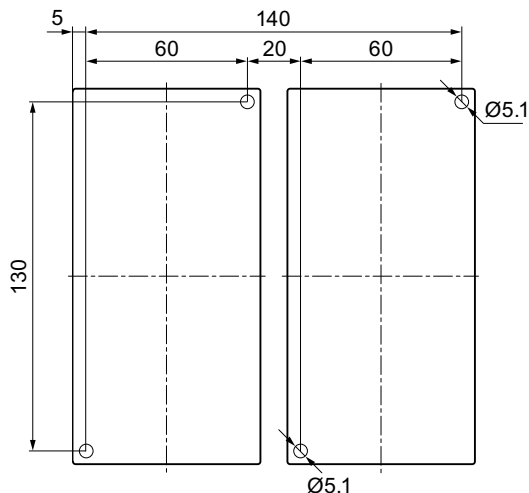
C.16.4.1 3RA234.-8X.30-1 reversing contactor assemblies (size S3)

3RA234.-8X.30-1 reversing contactor assemblies (size S3)



C.16.4.2 Drilling diagram for 3RA234.-8X.30-1 reversing contactor assemblies (size S3)

Drilling diagram for 3RA234.-8X.30-1 reversing contactor assemblies (size S3)



C.17 3RA24 contactor assemblies for star-delta (wye-delta) start

C.17.1 3RA241 contactor assemblies for star-delta (wye-delta) start (size S00)

3RA241.-8X.31-1 contactor assemblies for star-delta (wye-delta) start (size S00, screw-type connection system)

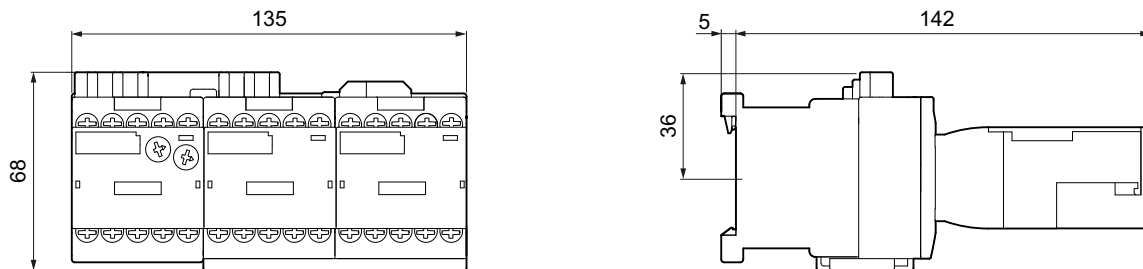


Figure C-59 3RA241.-8X.31-1 contactor assemblies for star-delta (wye-delta) start (size S00, screw-type connection system)

Drilling diagram for 3RA241.-8X.31-1 contactor assemblies for star-delta (wye-delta) start (size S00, screw-type connection system)

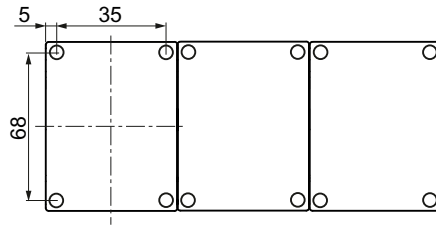


Figure C-60 Drilling diagram for 3RA241.-8X.31-1 contactor assemblies for star-delta (wye-delta) start (size S00, screw-type connection system)

3RA241.-8X.31-2 contactor assemblies for star-delta (wye-delta) start (size S00, spring-loaded connection system)

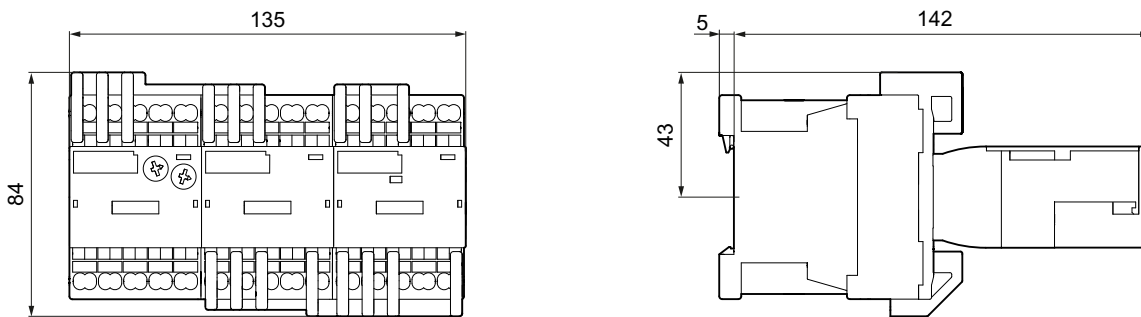


Figure C-61 3RA241.-8X.31-2 contactor assemblies for star-delta (wye-delta) start (size S00, spring-loaded connection system)

Drilling diagram for 3RA241.-8X.31-2 contactor assemblies for star-delta (wye-delta) start (size S00, spring-loaded connection system)

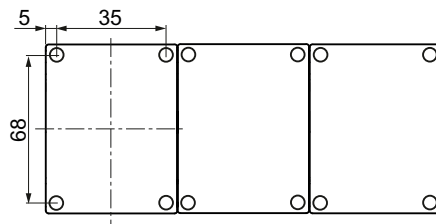


Figure C-62 Drilling diagram for 3RA241.-8X.31-2 contactor assemblies for star-delta (wye-delta) start (size S00, spring-loaded connection system)

C.17.2 3RA242 contactor assemblies for star-delta (wye-delta) start (size S0)

C.17.2.1 3RA242.-8X.3.-1 contactor assemblies for star-delta (wye-delta) start (size S0, screw-type connection system)

3RA242.-8X.3.-1 contactor assemblies for star-delta (wye-delta) start (size S0, screw-type connection system)

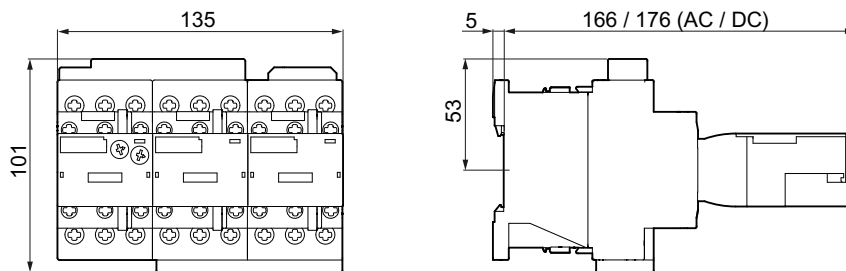


Figure C-63 3RA242.-8X.3.-1 contactor assemblies for star-delta (wye-delta) start (size S0, screw-type connection system)

C.17.2.2 Drilling diagram for 3RA242.-8X.3.-1 contactor assemblies for star-delta (wye-delta) start (size S0, screw-type connection system)

Drilling diagram for 3RA242.-8X.3.-1 contactor assemblies for star-delta (wye-delta) start (size S0, screw-type connection system)

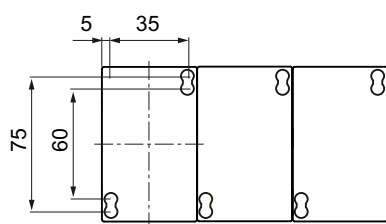


Figure C-64 Drilling diagram for 3RA242.-8X.3.-1 contactor assemblies for star-delta (wye-delta) start (size S0, screw-type connection system)

C.17.2.3 3RA242.-8X.3.-2 contactor assemblies for star-delta (wye-delta) start (size S0, spring-loaded connection system)

3RA242.-8X.3.-2 contactor assemblies for star-delta (wye-delta) start (size S0, spring-loaded connection system)

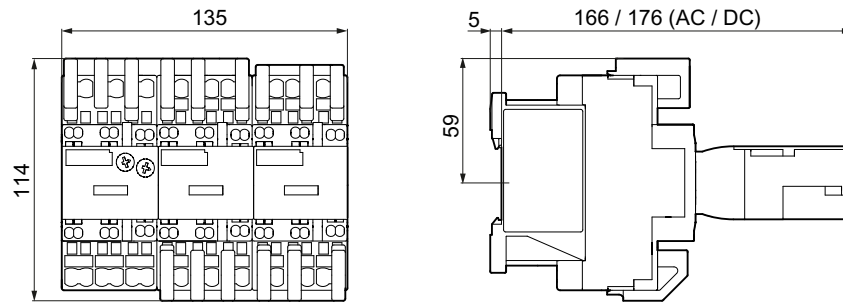


Figure C-65 3RA242.-8X.3.-2 contactor assemblies for star-delta (wye-delta) start (size S0, spring-loaded connection system)

C.17.2.4 Drilling diagram for 3RA242.-8X.3.-2 contactor assemblies for star-delta (wye-delta) start (size S0, spring-loaded connection system)

Drilling diagram for 3RA242.-8X.3.-2 contactor assemblies for star-delta (wye-delta) start (size S0, spring-loaded connection system)

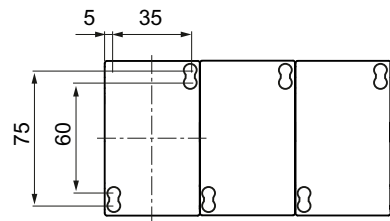


Figure C-66 Drilling diagram for 3RA242.-8X.3.-2 contactor assemblies for star-delta (wye-delta) start (size S0, spring-loaded connection system)

C.17.3 3RA243 contactor assemblies for star-delta (wye-delta) start (size S2)

3RA243.-8X.32-1 contactor assemblies for star-delta (wye-delta) start (size S2)

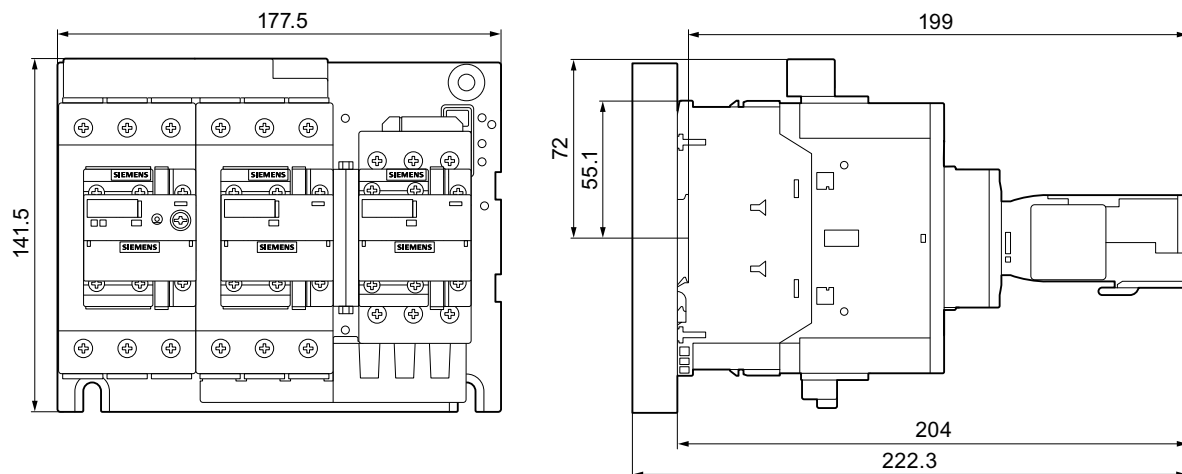


Figure C-67 3RA2434-8X.32-1 / 3RA2435-8X.32-1 / 3RA2436-8X.32-1 contactor assemblies for star-delta (wye-delta) start (S2-S2-S0) on mounting plate

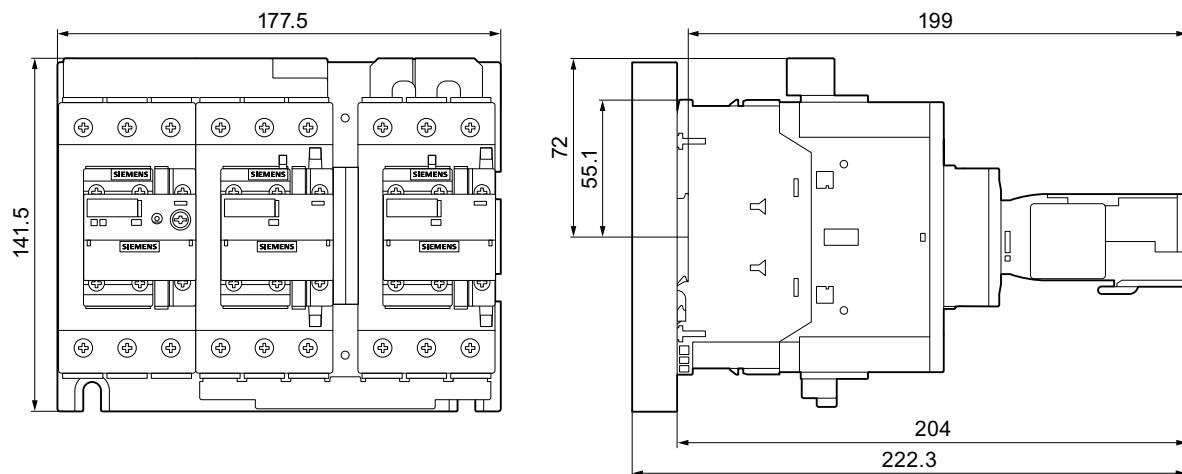


Figure C-68 3RA2437-8X.32-1 contactor assemblies for star-delta (wye-delta) start (S2-S2-S2) on mounting plate

Drilling diagram for the mounting plate for 3RA243.-8X.32-1 contactor assemblies for star-delta (wye-delta) start (size S2)

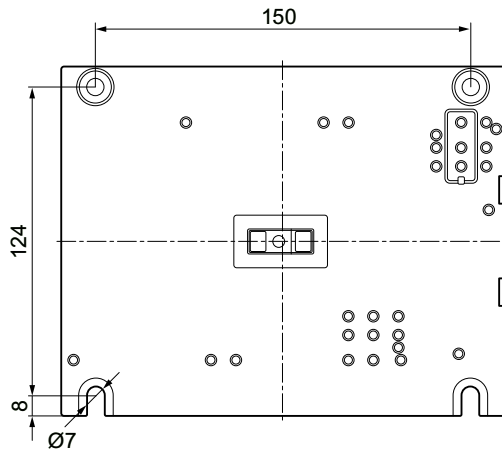
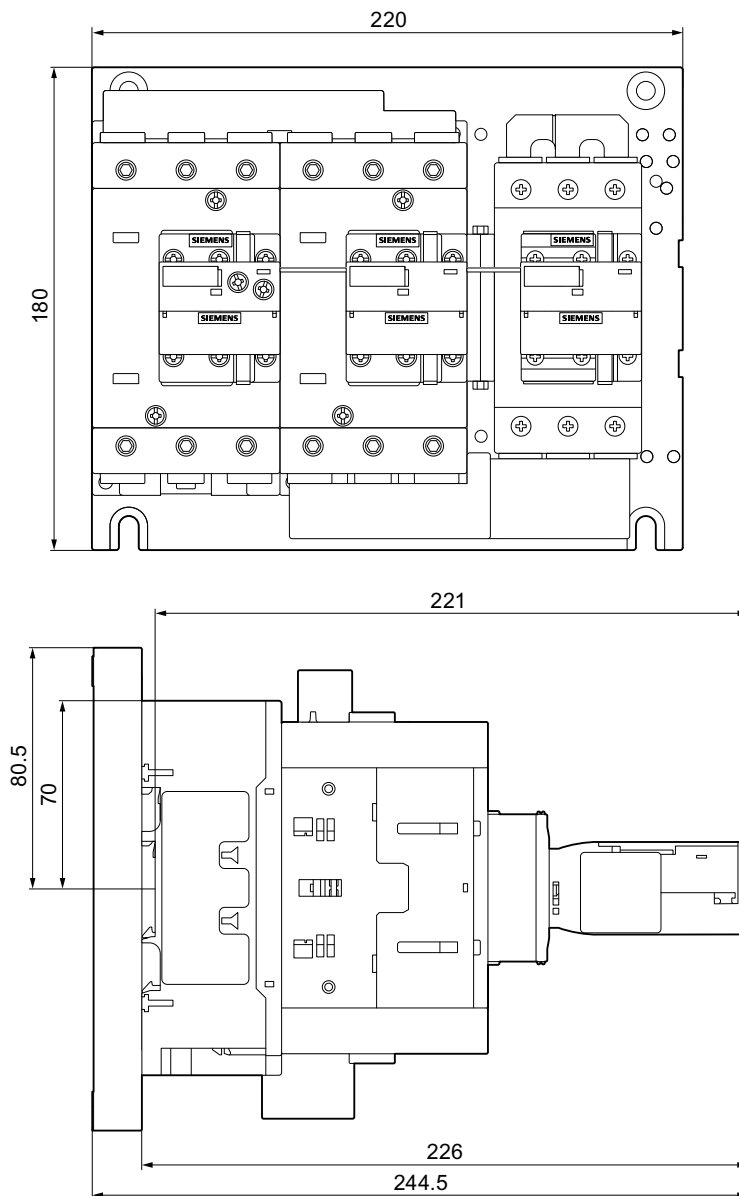


Figure C-69 Drilling diagram for the mounting plate for 3RA243.-8X.32-1 contactor assemblies for star-delta (wye-delta) start

C.17.4 3RA244 contactor assemblies for star-delta (wye-delta) start (size S3)

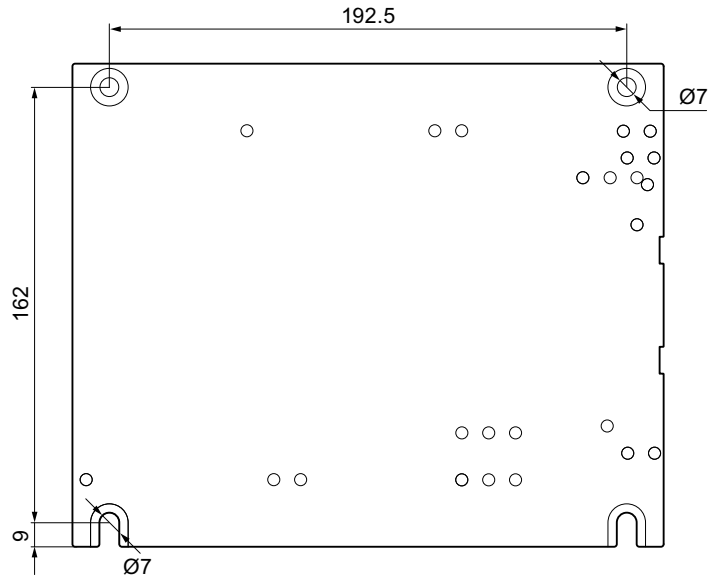
C.17.4.1 3RA244.-8X.32-1 contactor assemblies for star-delta (wye-delta) start (size S3)

3RA244.-8X.32-1 contactor assemblies for star-delta (wye-delta) start (size S3)



C.17.4.2 Drilling diagram for 3RA244.-8X.32-1 contactor assemblies for star-delta (wye-delta) start (size S3)

Drilling diagram for the mounting plate for 3RA244.-8X.32-1 contactor assemblies for star-delta (wye-delta) start (size S3)



Index

1

1-phase infeed terminal
 Contactors, 354

2

2-conductor connection, 247

3

3D model, 16
3-phase infeed terminal
 Contactors, 353

4

4-pole contactors, 107, 110

A

Accessories

 Contactors, 263, 273, 276

Accessories - Contactors

 1-phase infeed terminal, 354
 3-phase infeed terminal, 353
 Additional load module, 337, 338
 Assembly kit for contactor assembly for star-delta (wye-delta) start, 393, 395, 398, 404, 414, 427, 431
 Assembly kit for reversing contactor assembly, 370, 372
 Auxiliary switch, 277, 280, 300, 305, 307
 Box terminal block, 449
 Bus connectors offset, 454
 Coil terminal module, 341, 349, 350
 Connection modules, 368
 Control kit, 338, 339
 Coupling link, 340, 342
 Cover for ring cable lug, 352
 EMC suppression module, 327, 329, 331
 Function modules for connection to the automation level, 369
 Function modules for mounting on contactors, 369
 Insulating stop, 366

LED display indicator module, 346

Link module for motor starter protector, 360

Link module for two contactors in series, 358

Mechanical interlock, 458

Mechanical latch, 334, 336

OFF-delay device, 332, 333

Parallel switching connector, 356, 357

Phase barrier, 460

pneumatic delay block, 361, 362, 363, 364, 365, 366

Sealable cover, 352, 353

Solder pin adapter, 348

Solid-state time-delay auxiliary switches, 451, 453

Surge suppressor, 312, 316, 322

Terminal cover, 456

Terminal cover for cable lug connection and busbar connection, 436, 437

Terminal covers for box terminal block, 444, 445

Terminal module, 367

Additional load module

 Contactors, 337, 338

Ambient temperature

 Contactor relays, 98

 Contactors for railway applications, 100

 Power contactors, 98, 100

Applications

 Contactors, 24, 75

Approvals, 19

 Contactors, 19

AS-Interface, 148, 395

AS-Interface, 103

Assembly kit for contactor assembly for star-delta (wye-delta) start

 Contactors, 393, 395, 398, 404, 414, 427, 431

Assembly kit for reversing contactor assembly

 Contactors, 370, 372

Assembly with mechanical interlock

 4-pole, 377

Auxiliary contacts (contactors), 246, 277

 Integrated, 36, 277

 Time-delayed, 285

Auxiliary switch

 Contactor relays, 111

 Contactors, 277, 280, 300, 305, 307

 Reversing contactor assemblies, 144

Auxiliary switches (contactors)

 Fitting according to standards, 284

 Fitting rules, 280

- For contactor relays, 285
- Maximum number, 280, 305
- Solid-state compatible, 278, 304
- Solid-state time delay, 370
- With overlapping contacting, 279, 304

B

- Basic knowledge, 14
- Basic module, 394, 402
- Box terminal block
 - Contactor, 449
- Bus connectors offset
 - Contactor, 454

C

- CAX data, 16
- CCW rotation
 - Contactor assemblies for star-delta (wye-delta) start, 155
- Changeover delay
 - Contactor assemblies for star-delta (wye-delta) start, 148, 152
 - Reversing contactor assemblies, 142
- Class, 151
- Clockwise rotation
 - Reversing contactor assemblies, 146, 372, 374, 378, 382, 387, 390
- Closed, 120
- Coil change, 204, 209, 210, 216, 218, 222, 223, 229
- Coil surge suppressor, 78
- Coil terminal, 246
- Coil terminal module
 - Contactor, 341, 349, 350
- Communication
 - Power contactors, 103
- Connection
 - Contactor assemblies for star-delta (wye-delta) start, clockwise rotation, 152
 - Contactor assemblies for star-delta (wye-delta) start, counterclockwise rotation, 154
- Connection systems
 - 3RT1 air-break contactors, 43
 - 3RT12 vacuum contactors, 43
 - 3RT2 power contactors, 36
 - Contactor assembly for star-delta (wye-delta) start, 66
 - Contactor relays, 56
 - Contactor, 245
 - Reversing contactor assembly, 64

- Contactor assemblies, 76
- Contactor assemblies for star-delta (wye-delta) start, 29, 30, 66, 76, 147, 155
 - Changing the direction of rotation, 154
 - Control circuit, 156
 - Control circuit wiring, 148, 393, 401
 - Main circuit, 155
- Contactor relays, 29, 30, 55, 111
- Contactor
 - Switching, 75
- Contactor with fail-safe control input, 76
- Control kit
 - Contactor, 338, 339
- Counterclockwise rotation
 - Reversing contactor assemblies, 147, 372, 374, 378, 382, 387, 390
- Coupling link
 - Contactor, 340, 342
- Coupling module, 394, 402
- Coupling relays, 76, 119, 313
- Cover for ring cable lug
 - Contactor, 352
- CW rotation
 - Contactor assemblies for star-delta (wye-delta) start, 155

D

- Device versions
 - Contactor, 34
- Dimension drawings, 16
- DIN EN 50005, 284
- DIN EN 50011, 284
- DIN EN 50012, 285
- Diode combination, 313, 319
- Direct-on-line starter, 142

E

- EMC suppression module
 - Contactor, 327, 329, 331
- EN ISO 13849-1:2015, 121
- EPLAN macros, 16
- Equipment features
 - Contactor relay, 4-pole, 57
 - Contactor relay, 8-pole, 57

F

- Freewheeling diode, 313, 319

Function modules
 Contactor assemblies for star-delta (wye-delta)
 start, 66, 393, 401
 Function modules for connection to the automation
 level, 103, 148
 Contactor assemblies for star-delta (wye-delta)
 start, 395
 Contactors, 369
 Function modules for mounting on contactors
 Contactor assemblies for star-delta (wye-delta)
 start, 370, 394
 Contactors, 369
 Function test, 122, 123
 Functional extra-low voltage, 122

I

IEC 62061:2005, 121
 Inductive loads, 312, 329
 Insulating stop
 Contactors, 366
 Interfering signals, 312
 Interlock
 Contactor assemblies for star-delta (wye-delta)
 start, 152
 Electrical, 371, 373, 375
 Mechanical, 371, 372, 393
 IO-Link, 103, 148, 395

L

Latched contactor relays, 111
 LED display indicator module
 Contactors, 346
 Line capacity, 160
 Link module for motor starter protector
 Contactors, 360
 Link module for two contactors in series
 Contactors, 358
 Long control cables, 156
 Long control cables (contactors)
 Switching off, 159
 Switching on, 156

M

Main entry, 202
 Mechanical interlock
 Contactors, 458
 Mechanical latch
 Contactors, 334, 336

Minimum clearance
 Power contactors, 99
 Mirror contacts, 23
 Modular System, 496
 Mounting position
 Contactors, 191

N

Newsletters, 123
 Noise suppression diode, 319

O

OFF-delay device
 Contactors, 332, 333
 ON period
 Power contactors, 100, 334
 Operating instructions, 495
 Operating mechanism types
 Contactors, 77
 Operating range, 78
 Operational safety, 123
 Overvoltage attenuation, 313, 317

P

Parallel switching connector
 Contactors, 356, 357
 PELV, 122
 Permanent load with parallel connection, 356
 Permissible residual current, 337
 Phase barrier
 Contactors, 460
 pneumatic delay block
 Contactors, 361, 362, 363, 364, 365, 366
 pneumatic delay block (contactors)
 With OFF-delay, 361, 363
 With ON-delay, 361, 363
 Positively driven contact elements, 23
 Power contactor, 29, 30, 31
 Communication-capable, 37, 38, 148, 395
 Preferred voltages, 78
 Preferred wiring, 147, 152
 Programmable logic controller (PLC), 337, 340, 369
 Protective separation, 22

R

- Railway applications
 - Contactors, 76, 100
- RC element, 313, 318
- References, 495
- Reversing contactor assemblies, 29, 30, 63, 76, 142
 - Typical control circuit, 146
 - Typical main circuit, 146
- Ring cable lug connection system, 258

S

- Safe state, 122
- Safety concept, 122
- Safety Evaluation Tool, 495
- Safety function, 125
- Safety instructions, 121
- Safety of the installation, 124
- Scope of validity
 - Manual, 14
- Screw mounting
 - Contactors, 191
- Screw-type connection system, 248
- Sealable cover
 - Contactors, 352, 353
- SELV, 122
- Service life
 - Power contactors, 100
- Snap-on mounting
 - Contactors, 191, 199
- Solder pin adapter
 - Contactors, 348
- Solder pin connection, 56, 247, 348
- Solenoid coil operating range
 - Contactors for railway applications, 101
 - Power contactors, 99
- Solid-state time-delay auxiliary switches
 - Contactors, 451, 453
- Source voltage, 327
- Spring-loaded connection system, 256
- Standards, 19, 121
 - Contactors, 19
- Star-delta (wye-delta) start
 - Contactors, 148
- Starting current, 147, 151
- Starting three-phase motors, 147
- Surge suppression
 - Integrated, 340

- Surge suppressor
 - Contactors, 312, 316, 322
- Surge suppressors (contactors)
 - Selection aid, 316
- Switching
 - Capacitive load, 112
 - Contactors, 75
 - Motorized load, 102
- Switching frequency
 - Power contactors, 99, 100
- Switching overvoltage, 312
- Switch-off delay, 319
- Switch-on power, 120
- Switchover current peak, 152, 153

T

- Terminal cover
 - Contactors, 456
- Terminal cover for cable lug connection and busbar connection
 - Contactors, 436, 437
- Terminal covers for box terminal block
 - Contactors, 444, 445
- Terminal designations
 - Contactors, 245
- Terminal module
 - Contactors, 367, 368
- Test interval, 123
- Thermal load capacity
 - Power contactors, 99
- Time-delayed switching of contactors, 453
- Timing relays, 148, 370, 393, 401
- Types of coordination, 493

U

- Utilization categories
 - Contactors, 24, 103, 107, 111

V

- Vacuum contactor, 32
- Varistor, 313, 318