

Edition

10/2021

OPERATING INSTRUCTIONS

SIMOTICS

S-1FT7 synchronous motors

For SINAMICS S120

SIEMENS

SIMOTICS

Drive technology 1FT7 synchronous motors

Operating Instructions

Introduction

Fundamental safety instructions **1**

Description **2**

Preparing for use **3**

Assembly **4**

Connection **5**

Commissioning **6**

Operation **7**

Faults and their rectification **8**

Maintenance **9**

Decommissioning and disposal **10**

Technical data **11**




Glossary **12**

Appendix **A**

Legal information

Warning notice system

This manual contains notices you have to observe in order to ensure your personal safety, as well as to prevent damage to property. The notices referring to your personal safety are highlighted in the manual by a safety alert symbol, notices referring only to property damage have no safety alert symbol. These notices shown below are graded according to the degree of danger.

 DANGER
indicates that death or severe personal injury will result if proper precautions are not taken.
 WARNING
indicates that death or severe personal injury may result if proper precautions are not taken.
 CAUTION
indicates that minor personal injury can result if proper precautions are not taken.
NOTICE
indicates that property damage can result if proper precautions are not taken.


If more than one degree of danger is present, the warning notice representing the highest degree of danger will be used. A notice warning of injury to persons with a safety alert symbol may also include a warning relating to property damage.

Qualified Personnel

The product/system described in this documentation may be operated only by **personnel qualified** for the specific task in accordance with the relevant documentation, in particular its warning notices and safety instructions. Qualified personnel are those who, based on their training and experience, are capable of identifying risks and avoiding potential hazards when working with these products/systems.

Proper use of Siemens products

Note the following:

 WARNING
Siemens products may only be used for the applications described in the catalog and in the relevant technical documentation. If products and components from other manufacturers are used, these must be recommended or approved by Siemens. Proper transport, storage, installation, assembly, commissioning, operation and maintenance are required to ensure that the products operate safely and without any problems. The permissible ambient conditions must be complied with. The information in the relevant documentation must be observed.

Trademarks

All names identified by ® are registered trademarks of Siemens AG. The remaining trademarks in this publication may be trademarks whose use by third parties for their own purposes could violate the rights of the owner.

Disclaimer of Liability

We have reviewed the contents of this publication to ensure consistency with the hardware and software described. Since variance cannot be precluded entirely, we cannot guarantee full consistency. However, the information in this publication is reviewed regularly and any necessary corrections are included in subsequent editions.

Introduction

Main changes in this edition

Extensions

- Power connector M58 for motor 1FT710□ with forced ventilation -> Connecting the forced ventilation (Page 88)

Changes

- Change of the connector designations. Size 1 -> M23, size 1.5 -> M40, size 3 -> M58
- Current values for connecting the separately driven fan changed --> Connecting the forced ventilation (Page 88)

Keeping the documentation safe

This documentation should be kept in a location where it can be easily accessed and made available to the personnel responsible.

Target group and utilization phases

Target group

These Operating Instructions are intended for installation engineers, commissioners, machine operators, and service and maintenance personnel.

Utilization phase

Planning and configuration phase, implementation phase, setup and commissioning phase, application phase, maintenance and service phase

About the Operating Instructions

These Operating Instructions apply to the SIMOTICS S-1FT7 servo motor, referred to simply as "1FT7" in this document.

The Operating Instructions provide information about the components that enable the target group to install, set up, test, commission, operate, and troubleshoot the products and systems correctly and safely.

These Operating Instructions explain how to handle the 1FT7 from delivery to disposal.

You will find further information in the Configuration Manual for the 1FT7.

Before you start using the motor, you must read these Operating Instructions to ensure safe, problem-free operation and to maximize the service life.

Siemens strives continually to improve the quality of information provided in these Operating Instructions.

- If you find any mistakes or would like to offer suggestions about how this document could be improved, contact the Siemens Service Center.
- Always follow the safety instructions and notices in this Product Information.

The warning notice system is explained on the rear of the inside front.

Text features

In addition to the notes that you must observe for your own personal safety as well as to avoid material damage, in this document you will find the following text features:

Operating instructions

Handling instructions with a specified sequence start with the word "Procedure":

The individual handling steps are numbered.

1. Execute the operating instructions in the specified sequence.



The square indicates the end of the operating instruction.

Operating instructions without a specified sequence are identified using a bullet point:

- Execute the operating instructions.

Enumerations

- Enumerations are identified by a bullet point without any additional symbols.
 - Enumerations at the second level are hyphenated.

Notes

Notes are shown as follows:

Note

A Note is an important item of information about the product, handling of the product or the relevant section of the document. Notes provide you with help or further suggestions/ideas.

More information

Information on the following topics is available at:

- Ordering documentation / overview of documentation
- Additional links to download documents
- Using documentation online (find and search in manuals / information)

More information (<https://support.industry.siemens.com/cs/de/en/view/108998034>)

If you have any questions regarding the technical documentation (e.g. suggestions, corrections), please send an e-mail to the following address E-mail (<mailto:docu.motioncontrol@siemens.com>).

mySupport

Extensive assistance and more information can be found under the following link:

My Support Links and Tools (<https://support.industry.siemens.com/cs/de/en/my>)

You can individually compile your personal library, e.g. for your documentation based on Siemens content, and adapt it for your own machine documentation.

To do so, click "My Documentation".

Note

If you want to use this function, you must register once.

Later, you can log on with your login data.

You can create your own personal library under "mySupport" using the following procedure.

Precondition

You have registered for and logged on to "Siemens Industry Online Support", hereinafter referred to as "SIOS".

SIOS (<https://support.industry.siemens.com/cs/de/en/>)

Procedure for creating a personal library

1. Open SIOS and log on.
2. Enter the product you are looking for under "Search for product info" and press "Enter".
3. Select the doc. class you want, e.g. "Manual", under "Entry type".
4. Click on your desired manual under the entries.
5. Click on "Add to mySupport documentation".
6. Enter a title.
7. Press "OK".



The selected manual can be found under "mySupport". To find further functions, click on the icon located to the right of the document.

In this way, you can create your own library and quickly access your documentation.

Training

The following link provides information on SITRAIN - training from Siemens for products, systems and automation engineering solutions:

SITRAIN (<http://siemens.com/sitrain>)

If you have any technical questions, please contact Technical Support (<https://support.industry.siemens.com/cs/de/en/>).

To make a support request, proceed as follows:

Precondition

You have registered for and logged on to "Siemens Industry Online Support", abbreviated "SIOS".

SIOS (<https://support.industry.siemens.com/cs/de/en/>)

Procedure

1. Click on "Your direct way to the Support Request" or follow this link Support request (<https://support.industry.siemens.com/cs/de/en/my>)
2. Follow the instructions in the online form.



Internet address for products

Products (<http://www.siemens.com/motioncontrol>)

Websites of third parties

This publication contains hyperlinks to websites of third parties. Siemens does not take any responsibility for the contents of these websites or adopt any of these websites or their contents as their own, because Siemens does not control the information on these websites and is also not responsible for the contents and information provided there. Use of these websites is at the risk of the person doing so.

General Data Protection Regulation

Compliance with the General Data Protection Regulation

Siemens respects the principles of data protection, in particular the data minimization rules (privacy by design).

For this product, this means:

The product does not process neither store any person-related data, only technical function data (e.g. time stamps). If the user links these data with other data (e.g. shift plans) or if he stores person-related data on the same data medium (e.g. hard disk), thus personalizing these data, he has to ensure compliance with the applicable data protection stipulations.

Table of contents

	Introduction	3
1	Fundamental safety instructions	11
1.1	General safety instructions.....	11
1.2	Equipment damage due to electric fields or electrostatic discharge	16
1.3	Security information	17
1.4	Residual risks of power drive systems	18
2	Description	19
2.1	Intended use	19
2.2	Technical features and ambient conditions.....	21
2.2.1	Directives and standards	21
2.2.2	Technical features.....	24
2.2.3	Environmental conditions	26
2.2.4	Degree of protection.....	27
2.2.5	Noise emission	28
2.3	Derating factors	29
2.4	Rating plate data.....	30
2.5	Structure of the article number	31
2.6	Mounting and options	34
2.6.1	Safety symbols on the motor.....	34
2.6.2	Flange forms	36
2.6.3	Bearing version	36
2.6.4	Thermal motor protection	37
2.6.5	Encoder	39
2.6.5.1	Overview of the encoders that can be deployed	40
2.6.5.2	Incremental encoders	41
2.6.5.3	Absolute encoder.....	42
2.6.6	Cooling.....	44
2.6.6.1	Natural cooling	44
2.6.6.2	Forced ventilation	44
2.6.6.3	Water cooling	46
2.6.7	Holding brake (option).....	49
2.6.7.1	Type of holding brake	49
2.6.7.2	Properties	49
2.6.8	Options	50
3	Preparing for use	51
3.1	Shipping and packaging.....	51
3.2	Transportation and storage.....	52
3.2.1	Transportation	52
3.2.2	Storage.....	56

4	Assembly	59
4.1	Safety instructions	59
4.2	Checklists prior to mounting	61
4.3	Mounting instructions.....	62
4.4	Mounting conditions	64
4.5	Pushing on the output elements	66
4.6	Vibration response.....	67
4.7	Mounting the water cooling.....	68
4.7.1	Materials for the cooling circuit.....	68
4.7.2	Mounting the water cooling.....	70
4.8	Mounting the sealing air connection	72
5	Connection	75
5.1	Safety instructions	75
5.2	Permissible line systems.....	76
5.3	Motor circuit diagram	76
5.4	System integration	77
5.4.1	Connection notes	77
5.4.1.1	Motor connection	77
5.4.1.2	Rotating the connector at the motor	79
5.4.1.3	Routing cables in a damp environment.....	83
5.4.2	Connecting to a converter.....	84
5.4.3	Connecting the forced ventilation	88
5.4.4	Connecting the holding brake	91
5.4.5	Line connection	93
5.4.5.1	Terminal box versions	93
5.4.5.2	Power connector version.....	95
5.4.6	Signal connection	96
5.4.6.1	Motors with DRIVE-CLiQ interface	96
5.4.6.2	Connecting the RJ45 DRIVE-CLiQ connector.....	98
5.4.6.3	Motors without a DRIVE-CLiQ interface.....	102
5.4.6.4	Pin assignment of signal connectors.....	103
5.4.6.5	Connecting the signal line for a motor with forced ventilation	104
6	Commissioning	109
6.1	Safety instructions	109
6.2	Checklists for commissioning	112
6.3	Commissioning procedure	115
6.4	Switching on and switching off	116
7	Operation.....	117
7.1	Safety instructions	117
7.2	Switching on and switching off	118
7.3	During operation	119

7.4	Stoppages	120
8	Faults and their rectification	121
9	Maintenance.....	123
9.1	Safety instructions	123
9.2	Inspection and maintenance	126
9.2.1	Maintenance and inspection intervals	126
9.2.2	Cleaning	127
9.2.3	Bearing replacement interval	128
9.3	Repair.....	128
10	Decommissioning and disposal	129
10.1	Safety instructions	129
10.2	Decommissioning	132
10.2.1	Preparing for dismantling.....	132
10.2.2	Disassembling the motor	132
10.3	Disposal.....	133
11	Technical data.....	135
12	Glossary	137
A	Appendix.....	139
A.1	Certificate for the "PS Premium" painting system from ECOLAB	140
A.2	ECOLAB cleaning recommendation	142
A.3	Fan operating instructions	143
	Index.....	155

Fundamental safety instructions

1.1 General safety instructions



WARNING

Electric shock and danger to life due to other energy sources

Touching live components can result in death or severe injury.

- Only work on electrical devices when you are qualified for this job.
- Always observe the country-specific safety rules.

Generally, the following steps apply when establishing safety:

1. Prepare for disconnection. Notify all those who will be affected by the procedure.
2. Isolate the drive system from the power supply and take measures to prevent it being switched back on again.
3. Wait until the discharge time specified on the warning labels has elapsed.
4. Check that there is no voltage between any of the power connections, and between any of the power connections and the protective conductor connection.
5. Check whether the existing auxiliary supply circuits are de-energized.
6. Ensure that the motors cannot move.
7. Identify all other dangerous energy sources, e.g. compressed air, hydraulic systems, or water. Switch the energy sources to a safe state.
8. Check that the correct drive system is completely locked.

After you have completed the work, restore the operational readiness in the inverse sequence.



WARNING

Electric shock due to connection to an unsuitable power supply

When equipment is connected to an unsuitable power supply, exposed components may carry a hazardous voltage. Contact with hazardous voltage can result in severe injury or death.

- Only use power supplies that provide SELV (Safety Extra Low Voltage) or PELV- (Protective Extra Low Voltage) output voltages for all connections and terminals of the electronics modules.



! WARNING

Electric shock due to damaged motors or devices

Improper handling of motors or devices can damage them.

Hazardous voltages can be present at the enclosure or at exposed components on damaged motors or devices.

- Ensure compliance with the limit values specified in the technical data during transport, storage and operation.
- Do not use any damaged motors or devices.



! WARNING

Electric shock due to unconnected cable shield

Hazardous touch voltages can occur through capacitive cross-coupling due to unconnected cable shields.

- As a minimum, connect cable shields and the conductors of power cables that are not used (e.g. brake cores) at one end at the grounded housing potential.



! WARNING

Electric shock if there is no ground connection

For missing or incorrectly implemented protective conductor connection for devices with protection class I, high voltages can be present at open, exposed parts, which when touched, can result in death or severe injury.

- Ground the device in compliance with the applicable regulations.



! WARNING

Arcing when a plug connection is opened during operation

Opening a plug connection when a system is operation can result in arcing that may cause serious injury or death.

- Only open plug connections when the equipment is in a voltage-free state, unless it has been explicitly stated that they can be opened in operation.

NOTICE**Property damage due to loose power connections**

Insufficient tightening torques or vibration can result in loose power connections. This can result in damage due to fire, device defects or malfunctions.

- Tighten all power connections to the prescribed torque.
- Check all power connections at regular intervals, particularly after equipment has been transported.

NOTICE**Damage to equipment due to unsuitable tightening tools.**

Unsuitable tightening tools or fastening methods can damage the screws of the equipment.

- Be sure to only use screwdrivers which exactly match the heads of the screws.
- Tighten the screws with the torque specified in the technical documentation.
- Use a torque wrench or a mechanical precision nut runner with a dynamic torque sensor and speed limitation system.

**WARNING****Unexpected movement of machines caused by radio devices or mobile phones**

Using radio devices or mobile telephones in the immediate vicinity of the components can result in equipment malfunction. Malfunctions may impair the functional safety of machines and can therefore put people in danger or lead to property damage.

- Therefore, if you move closer than 20 cm to the components, be sure to switch off radio devices or mobile telephones.
- Use the "SIEMENS Industry Online Support app" only on equipment that has already been switched off.

**WARNING****Unrecognized dangers due to missing or illegible warning labels**

Dangers might not be recognized if warning labels are missing or illegible. Unrecognized dangers may cause accidents resulting in serious injury or death.

- Check that the warning labels are complete based on the documentation.
- Attach any missing warning labels to the components, where necessary in the national language.
- Replace illegible warning labels.



WARNING

Unexpected movement of machines caused by inactive safety functions

Inactive or non-adapted safety functions can trigger unexpected machine movements that may result in serious injury or death.

- Observe the information in the appropriate product documentation before commissioning.
- Carry out a safety inspection for functions relevant to safety on the entire system, including all safety-related components.
- Ensure that the safety functions used in your drives and automation tasks are adjusted and activated through appropriate parameterizing.
- Perform a function test.
- Only put your plant into live operation once you have guaranteed that the functions relevant to safety are running correctly.

Note

Important safety notices for Safety Integrated functions

If you want to use Safety Integrated functions, you must observe the safety notices in the Safety Integrated manuals.



WARNING

Active implant malfunctions due to electromagnetic fields

Electromagnetic fields (EMF) are generated by the operation of electrical power equipment, such as transformers, converters, or motors. People with pacemakers or implants are at particular risk in the immediate vicinity of this equipment.

- If this affects you, maintain the minimum distance to such equipment that is specified in the "Intended use" chapter.



WARNING

Active implant malfunctions due to permanent-magnet fields

Even when switched off, electric motors with permanent magnets represent a potential risk for persons with heart pacemakers or implants if they are close to converters/motors.

- If this affects you, maintain the minimum distance to such equipment that is specified in the "Intended use" chapter.
- When transporting or storing permanent-magnet motors always use the original packing materials with the warning labels attached.
- Clearly mark the storage locations with the appropriate warning labels.
- IATA regulations must be observed when transported by air.

 **WARNING****Injury caused by moving or ejected parts**

Contact with moving motor parts or drive output elements and the ejection of loose motor parts (e.g. feather keys) out of the motor enclosure can result in severe injury or death.

- Remove any loose parts or secure them so that they cannot be flung out.
- Do not touch any moving parts.
- Safeguard all moving parts using the appropriate safety guards.

 **WARNING****Fire due to inadequate cooling**


Inadequate cooling can cause the motor to overheat, resulting in death or severe injury as a result of smoke and fire. This can also result in increased failures and reduced service lives of motors.

- Comply with the specified cooling requirements for the motor.

 **WARNING****Fire due to incorrect operation of the motor**

When incorrectly operated and in the case of a fault, the motor can overheat resulting in fire and smoke. This can result in severe injury or death. Further, excessively high temperatures destroy motor components and result in increased failures as well as shorter service lives of motors.

- Operate the motor according to the relevant specifications.
- Only operate the motors in conjunction with effective temperature monitoring.
- Immediately switch off the motor if excessively high temperatures occur.

 **CAUTION****Burn injuries caused by hot surfaces**

In operation, the motor can reach high temperatures, which can cause burns if touched.

- Mount the motor so that it is not accessible in operation.

Measures when maintenance is required:

- Allow the motor to cool down before starting any work.
- Use the appropriate personnel protection equipment, e.g. gloves.

1.2 Equipment damage due to electric fields or electrostatic discharge

Electrostatic sensitive devices (ESD) are individual components, integrated circuits, modules or devices that may be damaged by either electric fields or electrostatic discharge.



NOTICE

Equipment damage due to electric fields or electrostatic discharge

Electric fields or electrostatic discharge can cause malfunctions through damaged individual components, integrated circuits, modules or devices.

- Only pack, store, transport and send electronic components, modules or devices in their original packaging or in other suitable materials, e.g. conductive foam rubber or aluminum foil.
- Only touch components, modules and devices when you are grounded by one of the following methods:
 - Wearing an ESD wrist strap
 - Wearing ESD shoes or ESD grounding straps in ESD areas with conductive flooring
- Only place electronic components, modules or devices on conductive surfaces (table with ESD surface, conductive ESD foam, ESD packaging, ESD transport container).

1.3 Security information

Siemens provides products and solutions with industrial security functions that support the secure operation of plants, systems, machines and networks.

In order to protect plants, systems, machines and networks against cyber threats, it is necessary to implement – and continuously maintain – a holistic, state-of-the-art industrial security concept. Siemens' products and solutions constitute one element of such a concept.

Customers are responsible for preventing unauthorized access to their plants, systems, machines and networks. Such systems, machines and components should only be connected to an enterprise network or the internet if and to the extent such a connection is necessary and only when appropriate security measures (e.g. firewalls and/or network segmentation) are in place.

For additional information on industrial security measures that may be implemented, please visit

<https://www.siemens.com/industrialsecurity> (<https://www.siemens.com/industrialsecurity>).

Siemens' products and solutions undergo continuous development to make them more secure. Siemens strongly recommends that product updates are applied as soon as they are available and that the latest product versions are used. Use of product versions that are no longer supported, and failure to apply the latest updates may increase customer's exposure to cyber threats.

To stay informed about product updates, subscribe to the Siemens Industrial Security RSS Feed under

<https://www.siemens.com/industrialsecurity>
(<https://new.siemens.com/global/en/products/services/cert.html#Subscriptions>).

Further information is provided on the Internet:

Industrial Security Configuration Manual
(<https://support.industry.siemens.com/cs/ww/en/view/108862708>)

WARNING

Unsafe operating states resulting from software manipulation

Software manipulations, e.g. viruses, Trojans, or worms, can cause unsafe operating states in your system that may lead to death, serious injury, and property damage.

- Keep the software up to date.
- Incorporate the automation and drive components into a holistic, state-of-the-art industrial security concept for the installation or machine.
- Make sure that you include all installed products into the holistic industrial security concept.
- Protect files stored on exchangeable storage media from malicious software by with suitable protection measures, e.g. virus scanners.
- On completion of commissioning, check all security-related settings.

1.4 Residual risks of power drive systems


When assessing the machine- or system-related risk in accordance with the respective local regulations (e.g., EC Machinery Directive), the machine manufacturer or system installer must take into account the following residual risks emanating from the control and drive components of a drive system:


1. Unintentional movements of driven machine or system components during commissioning, operation, maintenance, and repairs caused by, for example,
 - Hardware and/or software errors in the sensors, control system, actuators, and cables and connections
 - Response times of the control system and of the drive
 - Operation and/or environmental conditions outside the specification
 - Condensation/conductive contamination
 - Parameterization, programming, cabling, and installation errors
 - Use of wireless devices/mobile phones in the immediate vicinity of electronic components
 - External influences/damage
 - X-ray, ionizing radiation and cosmic radiation
2. Unusually high temperatures, including open flames, as well as emissions of light, noise, particles, gases, etc., can occur inside and outside the components under fault conditions caused by, for example:
 - Component failure
 - Software errors
 - Operation and/or environmental conditions outside the specification
 - External influences/damage
3. Hazardous shock voltages caused by, for example:
 - Component failure
 - Influence during electrostatic charging
 - Induction of voltages in moving motors
 - Operation and/or environmental conditions outside the specification
 - Condensation/conductive contamination
 - External influences/damage
4. Electrical, magnetic and electromagnetic fields generated in operation that can pose a risk to people with a pacemaker, implants or metal replacement joints, etc., if they are too close
5. Release of environmental pollutants or emissions as a result of improper operation of the system and/or failure to dispose of components safely and correctly
6. Influence of network-connected communication systems, e.g. ripple-control transmitters or data communication via the network

For more information about the residual risks of the drive system components, see the relevant sections in the technical user documentation.

Description

2.1 Intended use

 WARNING
<p>Danger to life and material damage when incorrectly used</p> <p>If you do not use the motors correctly, there is a risk of death, severe injury and/or material damage.</p> <ul style="list-style-type: none"> • Only use the motors for their intended purpose. • Make sure that the conditions at the location of use comply with all the rating plate data. • Make sure that the conditions at the location of use comply with the conditions specified in this documentation. When necessary, take into account deviations regarding approvals or country-specific regulations.

 WARNING
<p>Danger to life caused by magnetic and electrical fields for carriers of active implants</p> <p>Electric motors endanger people with active implants, for example heart pacemakers, who come close to the motors.</p> <ul style="list-style-type: none"> • If you are an affected person, maintain a minimum distance of 300 mm from the motors.

If you wish to use special versions and design variants whose specifications vary from the motors described in this document, then contact your local Siemens office.

If you have any questions regarding the intended usage, please contact your local Siemens office.

The 1FT7 motor is intended for industrial or commercial plants.

The motor is designed for operation in sheltered areas under normal climatic conditions, such as those found on shop floors.

The motor is only approved for operation through a converter.

NOTICE
<p>Motor damage</p> <p>Motors with an EnDat2.2 encoder must only be operated with suitable non-Siemens converters. Operation with SINAMICS converters (via SMC40) is not permitted.</p>

2.1 Intended use

More detailed information is provided in Chapter "Environmental conditions (Page 26)".

Any other use of the motor is considered to be incorrect usage.

Use as intended includes compliance with all of the specifications in the operating instructions.

Observe the data on the rating plate (type plate).

Applications

- High-performance machine tools
- Machines with high requirements in terms of dynamic response and precision

2.2 Technical features and ambient conditions

2.2.1 Directives and standards

Standards that are complied with

The motors of the type series SIMOTICS S, SIMOTICS M, SIMOTICS L, SIMOTICS T, SIMOTICS A, called "SIMOTICS motor series" below, fulfill the requirements of the following directives and standards:

- EN 60034-1 - Rotating electrical machines – Dimensioning and operating behavior
- EN 60204-1 - Safety of machinery – Electrical equipment of machines; general requirements

Where applicable, the SIMOTICS motor series are in conformance with the following parts of EN 60034:

Feature	Standard
Degree of protection	EN 60034-5
Cooling ¹⁾	EN 60034-6
Type of construction	EN 60034-7
Connection designations	EN 60034-8
Noise levels ¹⁾	EN 60034-9
Temperature monitoring	EN 60034-11
Vibration severity grades ¹⁾	EN 60034-14

¹⁾ Standard component, e.g. cannot be applied to built-in motors

Relevant directives

The following directives are relevant for SIMOTICS motors.

European Low-Voltage Directive

SIMOTICS motors comply with the Low-Voltage Directive 2014/35/EU.

European Machinery Directive

SIMOTICS motors do not fall within the scope covered by the Machinery Directive.

However, the use of the products in a typical machine application has been fully assessed for compliance with the main regulations in this directive concerning health and safety.

European EMC Directive

SIMOTICS motors do not fall within the scope covered by the EMC Directive. The products are not considered as devices in the sense of the directive. Installed and operated with a converter, the motor - together with the Power Drive System - must comply with the requirements laid down in the applicable EMC Directive.

European RoHS Directive

The SIMOTICS motor series complies with the Directive 2011/65/EU regarding limiting the use of certain hazardous substances.

European Directive on Waste Electrical and Electronic Equipment (WEEE)

The SIMOTICS motor series complies with the 2012/19/EU directive on taking back and recycling waste electrical and electronic equipment.

European Directive 2005/32/EC defining requirements for environmentally friendly design of electric motors

The SIMOTICS motor series is not subject to Regulation (EC) No. 640/2009 for implementation of this directive.

European Directive 2009/125/EC defining ecodesign requirements of electric motors and speed controls

The SIMOTICS motor series is not subject to Regulation (EU) 2019/1781 for implementation of this directive.

Eurasian conformity

SIMOTICS motors comply with the requirements of the Russia/Belarus/Kazakhstan (EAC) customs union.



China Compulsory Certification

SIMOTICS motors do not fall within the scope covered by the China Compulsory Certification (CCC).

CCC negative certification:

CCC product certification

<https://support.industry.siemens.com/cs/products?search=CCC&ctp=Certificate&mf=ps&o=DefaultRankingDesc&pnid=13347&lc>



Underwriters Laboratories

SIMOTICS motors are generally in compliance with UL and cUL as components of motor applications, and are appropriately listed.

Specifically developed motors and functions are the exceptions in this case. Here, it is crucial that you carefully observe the content of the quotation and that there is a UL or cUL mark on the rating plate!

Quality systems

Siemens AG employs a quality management system that meets the requirements of ISO 9001 and ISO 14001.

Certificates for SIMOTICS motors can be downloaded from the Internet at the following link:

Certificates for SIMOTICS motors

<https://support.industry.siemens.com/cs/ww/de/ps/13347/cert>



China RoHS

SIMOTICS motors comply with the China RoHS.

You can find more information at:

China RoHS (<https://support.industry.siemens.com/cs/ww/de/view/109738656/en>)

Description

2.2 Technical features and ambient conditions

2.2.2 Technical features

Table 2- 1 Technical features

Motor type	Permanent-magnet synchronous motor
Magnet material	Rare-earth magnetic material
Cooling	<ul style="list-style-type: none"> • Natural cooling • Forced ventilation • Water cooling
Insulation of the stator winding according to EN 60034-1 (IEC 60034-1)	Temperature class 155°C (F) for a winding overtemperature of $\Delta T = 100$ K at an ambient temperature of +40°C (naturally cooled, force-ventilated) or a coolant temperature of +30°C (water-cooled)
Impulse voltage insulation class according to EN 60034-18-41 (IEC 60034-18-41)	IVIC: C
Operating range	-15 to +40°C, derating at higher temperatures
Installation altitude for naturally-cooled and force-ventilated motors according to EN 60034-1 (IEC 60034-1)	<p>≤ 1000 m above sea level, otherwise power derating</p> <p>For installation altitudes of more than 2000 m above sea level, additional reduction of the voltage load of the motors (see ambient conditions).</p>
Type of construction according to EN 60034-7 (IEC 60034-7)	IM B5 (IM V1, IM V3)
Degree of protection according to EN60034-5 (IEC 60034-5)	IP64, optionally IP65 and IP67, motors with forced ventilation IP54
Flange form	Flange, classic (compatible 1FT6/1FK7), optional flange, compact (recessed)
Temperature monitoring according to EN 60034-11 (IEC 60034-11)	Temperature sensor in the stator winding
Paint finish	Pearl dark gray (similar to RAL 9023)
Drive shaft extension according to DIN 748-3 (IEC 60072-1)	Plain shaft, shaft with feather key
Radial eccentricity, concentricity, and axial eccentricity according to DIN 42955 (IEC 60072-1)	Tolerance N (normal) or R
Vibration severity grade according to EN 60034-14 (IEC 60034-14)	Grade A is observed up to rated speed, optional grade R
Sound pressure level according to DIN EN ISO 1680 Tolerance + 3 dB(A)	<p>Natural cooling:</p> <p>1FT703□ to 1FT706□: 65 dB(A)</p> <p>1FT708□ to 1FT713□: 70 dB(A)</p> <p>1FT7117: ≤ 80 dB(A)</p> <p>Forced ventilation:</p> <p>1FT706□ to 1FT713□: 73 dB(A)</p> <p>1FT7117: ≤ 80 dB(A)</p> <p>Water cooling:</p> <p>1FT706□: 65 dB(A)</p> <p>1FT708□ to 1FT710□: 70 dB(A)</p>

2.2 Technical features and ambient conditions

Integrated encoder system for motors without DRIVE-CLiQ interface	<ul style="list-style-type: none"> • IC2048S/R ¹⁾ incremental encoder sin/cos 1 Vpp, 2048 S/R ¹⁾ with C and D tracks • AM2048S/R ¹⁾ absolute encoder sin/cos 1 Vpp, 4096 revolutions, multiturn, with EnDat 2.1 interface • AM25EN22, absolute encoder, multiturn, 25-bit, 4096 revolutions, with EnDat 2.2 interface (without incremental signal) for 1FT704...1FT713
Integrated encoder system for motors with DRIVE-CLiQ interface	<ul style="list-style-type: none"> • IC22DQ incremental encoder 22-bit (resolution 4194304, in the encoder 2048 S/R ¹⁾) + commutation position 11-bit • AM22DQ absolute encoder 22-bit singleturn (resolution 4194304, in the encoder 2048 S/R ¹⁾) + 12-bit multiturn (traversing range 4096 revolutions) • AS24DQI absolute encoder 24-bit singleturn (resolution 16777220, in the encoder 2048 S/R ¹⁾) • AM24DQI absolute encoder 24-bit singleturn (resolution 16777220, in the encoder 2048 S/R ¹⁾) + 12-bit multiturn (traversing range 4096 revolutions)
Connection	Connectors for signals and power (sizes M23, M40 and M58; alternatively possible for connector size M58 terminal box) Connector for a separately driven fan
Holding brake	Optional integrated holding brake (free of backlash, 24 V)

¹⁾ S/R = Signals/revolution

2.2.3 Environmental conditions

You can classify the environmental conditions for stationary use at weather-protected locations according to standard DIN IEC 60721-3-3. The environmental effects and their limit values are defined in various classes in this standard.

With the exception of "Condensation" and "Low air pressure" environmental parameters, you can assign SIMOTICS S servomotors to climatic class 3K4. Condensation is not permissible.

The following temperature ranges apply for natural-cooled and forced-ventilation motors.

Table 2- 2 Environmental conditions are based on climate class 3K4

Environmental parameter	Unit	Value
a) Low air temperature	°C	- 15
b) High air temperature	°C	+ 40
c) Low relative humidity	%	5
d) High relative humidity	%	95
e) Low absolute humidity	g/m ³	1
f) High absolute humidity	g/m ³	29
g) Rate of temperature change ¹⁾	°C/min	0.5
h) Low air pressure ⁴⁾	kPa	89
i) High air pressure ²⁾	kPa	106
j) Solar radiation	W/m ²	700
k) Thermal radiation	-	-
l) Air movement ³⁾	m/s	1.0
m) Condensation	-	Not permissible
n) Wind-driven precipitation (rain, snow, hail, etc.)	-	-
o) Water (other than rain)	-	See protection class
p) Formation of ice	-	-

1) Averaged over a period of 5 min

2) Conditions in mines are not considered.

3) A cooling system based on natural convection can be disturbed by unforeseen air movements.

4) The limit value of 89 kPa covers applications at altitudes up to 1000 m.

Note

Installation instructions

SIMOTICS S motors are not suitable for operation

- In salt-laden or aggressive atmospheres
- Outdoors

You find additional data on the environmental conditions, such as ambient temperatures or conditions for transport and storage of the motors, in the relevant chapters of this documentation.

2.2.4 Degree of protection

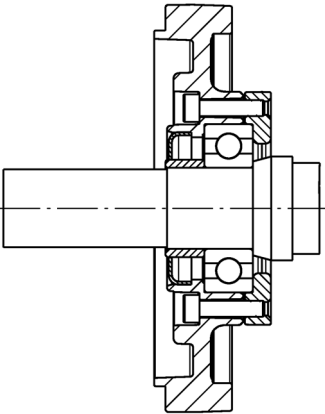
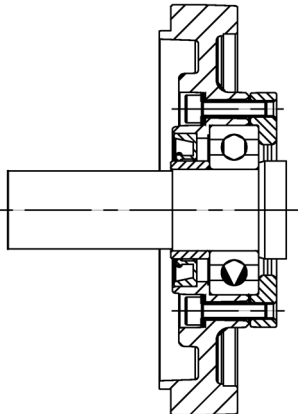
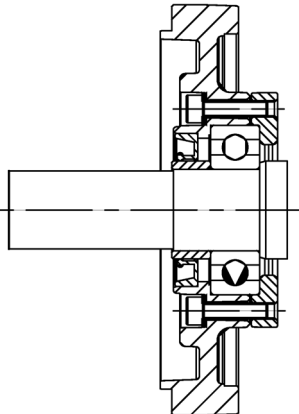
1FT7 motors can be supplied with degree of protection IP64, IP65, or IP67 according to EN 60034-5 (IEC 60034-5).

1FT7 motors with forced ventilation have degree of protection IP54 or IP55 according to EN 60034-5 (IEC 60034-5).

Additionally protect the motors from lubricants that contain oil, are creep-capable, and/or are corrosive by means of suitable covers.

Sealing of the motor shaft

Table 2-3 Motor shaft sealing

IP64	IP65	IP67
		
<p>Labyrinth seal</p> <p>It is not permissible that there is any moisture in the area around the shaft and the flange.</p> <p>Note: For degree of protection IP64 it is not permissible that liquid collects in the flange.</p>	<p>Radial shaft sealing ring without annular spring</p> <p>Sealing of the shaft exit against splashwater or coolant. Dry running of the radial shaft sealing ring is permissible. Lifetime approx. 25000 h (nominal value).</p> <p>With degree of protection IP65, it is not permissible for liquid to collect in the flange.</p>	<p>Radial shaft sealing ring</p> <p>For gearbox mounting (for gearboxes that are not sealed) to seal against oil.</p> <p>The sealing lip must be adequately cooled and lubricated by the gearbox oil in order to guarantee reliable function.</p> <p>Lifetime approx. 10000 h (nominal value).</p> <p>If a radial shaft sealing ring runs dry, then this has a strong negative impact on the functionality and the lifetime.</p>

2.2.5 Noise emission

When operated in the speed range 0 to rated speed, 1FT7 motors can reach the following measuring-surface sound pressure level $L_p(A)$:

Table 2-4 Sound pressure level

Cooling method	Frame size	Measuring-surface sound pressure level $L_p(A)$
Naturally cooled	1FT703 to 1FT706 1FT708 to 1FT713 1FT7117	65 dB(A) + 3 dB tolerance 70 dB(A) + 3 dB tolerance ≤ 80 dB(A)
Force-ventilated	1FT706 to 1FT713 1FT7117	73 dB(A) + 3 dB tolerance ≤ 80 dB(A)
Water-cooled	1FT706 1FT708 to 1FT710	65 dB(A) + 3 dB tolerance 70 dB(A) + 3 dB tolerance

Take into account that the installation and operating conditions, such as rigid or vibration-isolated foundation structure, influence the noise emission.

2.3 Derating factors

Under conditions other than those specified above (ambient temperature > 40°C or installation altitude > 1000 m above sea level), the permissible torques/powers are shown in the following table.

Ambient temperatures and installation altitudes are rounded off to 5°C or 500 m respectively.

Table 2- 5 Derating of the thermally permissible power as a function of the installation altitude and ambient temperature

Installation altitude above sea level in m	Ambient temperature in °C				
	< 30	30 - 40	45	50	55
1000	1.07	1.00	0.96	0.92	0.87
1500	1.04	0.97	0.93	0.89	0.84
2000	1.00	0.94	0.90	0.86	0.82
2500	0.96	0.90	0.86	0.83	0.78
3000	0.92	0.86	0.82	0.79	0.75
3500	0.88	0.82	0.79	0.75	0.71
4000	0.82	0.77	0.74	0.71	0.67

The factors refer to the static torque M_0 . You shift the S1 characteristic curve in parallel.

At installation altitudes of 2000 m above sea level or higher, the voltage stress on the motors must be reduced accordingly based on the "Factors for reducing the maximum DC-link voltage" table (reciprocal values from EN 60664-1 Table A. 2).

Table 2- 6 Factors for reducing the maximum DC-link voltage

Installation altitude up to m above sea level	Factor
2000	1
3000	0.877
4000	0.775
5000	0.656
6000	0.588
7000	0.513
8000	0.444

As the DC-link voltage is reduced, the converter output voltage also decreases. This reduces the operating range in the M-n diagram.

The M-n diagrams are contained in the associated Configuration Manual.

Operation in a vacuum is not permissible because of the low dielectric strength and poor heat dissipation.

2.4 Rating plate data

The rating plate contains the technical data applicable to the motor. A second rating plate is provided loose with the motor when it is delivered.

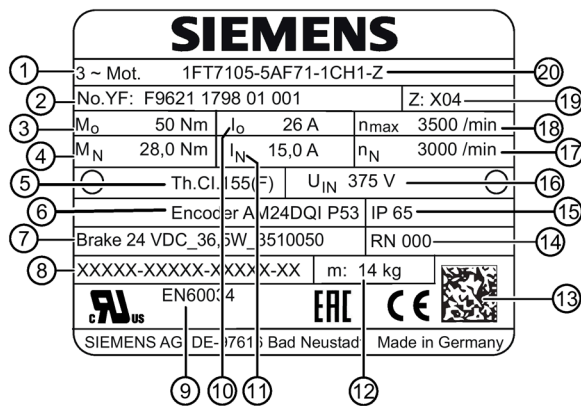


Figure 2-1 Rating plate 1FT7

Table 2-7 Description of the rating plate data

Position	Description / Technical data
1	Motor type: Synchronous motors
2	ID No., serial number
3	Static torque M_0 (100 K) [Nm]
4	Rated torque M_N [Nm]
5	Temperature class
6	Code, encoder type
7	Holding brake data: Typical, voltage, power consumption
8	Field for customer data for the option Y84 (max. 20 characters, any distribution)
9	Standard on which the motor is based
10	Stall current I_0 [A]
11	Rated current I_N [A]
12	Motor weight m [kg]
13	2D code
14	Motor version
15	Degree of protection
16	Induced voltage at rated speed U_{IN} [V]
17	Rated speed n_N [rpm]
18	Maximum speed n_{max} [rpm]
19	Options of the motor (up to 2 options can be represented, no marking for further options)
20	Motor type/order number

2.5 Structure of the article number

The article number comprises a combination of digits and letters. It is divided into three hyphenated blocks.

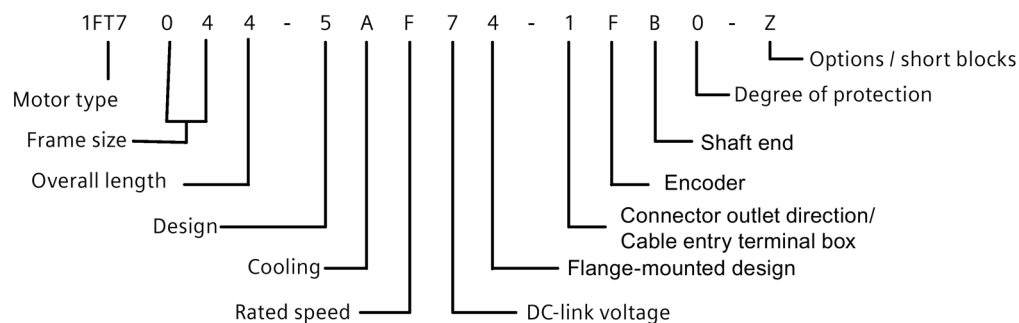


Figure 2-2 Structure of the article number

Possible combinations are contained in Catalog D 21.4

(<https://support.industry.siemens.com/cs/ww/de/view/109747019/en>).

Note that not every theoretical combination is available.

Description	Position of the article number																			
	1	2	3	4	5	6	7	-	8	9	10	11	12	-	13	14	15	16	-	Z
SIMOTICS S-1FT7 synchronous built-in motors	1	F	D	7																
Frame size / shaft height	SH 36				0	3														
	SH 48				0	4														
	SH 63				0	6														
	SH 80				0	8														
	SH 100				1	0														
	SH 132				1	3														
Overall length							2													
							4													
							5													
							6													
							7													
							8													
Design	Core type								1											
	Compact								5											
	High Dynamic								7											
	Special version								9											
Cooling	Natural cooling								A											
	Water cooling								W											
	Forced ventilation								S											
Rated speeds	(380 V ... 480 V 3 AC)				1500 r/min				B											
					2000 r/min				C											
					3000 r/min				F											
					4500 r/min				H											

Description

2.5 Structure of the article number

Description		Position of the article number																				
		1	2	3	4	5	6	7	-	8	9	10	11	12	-	13	14	15	16	-	Z	
						6000 r/min					K											
						Special version					Z											
DC-link voltage (600 V ... 720 V)												7										
Flange-mounted design	compact (recessed)									With DRIVE-CLiQ interface				0								
										Without DRIVE-CLiQ interface				5								
	classic (compatible with 1FT6/1FK7) ¹⁾									With DRIVE-CLiQ interface				1								
										Without DRIVE-CLiQ interface				4								
Connector outlet direction		Connector size M23 and M40		Rotatable connector										1								
		Connector size M58 ²⁾		Transverse right										1								
				Transverse left										2								
				Axial NDE										3								
				Axial DE										4								
Terminal box / cable entry		Top		Transverse from the right										5								
				Transverse from the left										6								
				Axial from the NDE										7								
				Axial from the DE										8								
Encoder	With DRIVE-CLiQ	IC22DQ		RJ45 signal connection										D								
		AM22DQ		RJ45 signal connection										F								
		AS24DQI		RJ45 signal connection										B								
				M17 signal connection										K								
		AM24DQI		RJ45 signal connection										C								
				M17 signal connection										L								
	Without DRIVE-CLiQ	IC2048S/R		M23 signal connection										N								
		AM2048S/R with EnDat 2.1		M23 signal connection										M								
		AM25EN22, with EnDat 2.2, for 1FT704 ... 1FT713		M23 signal connection										E								
Shaft extension	Feather key and keyway		Shaft and flange accuracy				Tolerance N				Holding brake		None	A								
							Tolerance R						With	B								
							Tolerance N						None	D								
							Tolerance R						With	E								
	Plain shaft						Tolerance N				None	G										
							Tolerance R				With	H										
							Tolerance N				None	K										
							Tolerance R				With	L										
Vibration severity grade		Grade A		Degree of protection ³⁾				IP64				0										
								IP65				1										
								IP67				2										
		Grade R						IP64				3										
								IP65				4										
								IP67				5										
Options ⁴⁾		Planetary gearbox mounting																J□□				
		Reinforced bearing																K20				

Description	Position of the article number																			
	1	2	3	4	5	6	7	-	8	9	10	11	12	-	13	14	15	16	-	Z
Version for increased vibration loads																				L03
Version for increased shock loads ⁵⁾																				L06
Alternative shaft geometry																				N05
Increased chemical resistance																				N16
Brake with low moment of inertia																				N27
Stainless steel shaft and coating for increased chemical resistance																				N40
Factory certificate																				B02
Sealing air connection																				Q12
Encoder sealing																				Q13
Connector outlet directions for fixed ventilation connectors with 1FT7117 force-ventilated																		Q41...Q44		
Customer data on the rating plate																				Y84
Special paint finish for environmental conditions according to climate group 3K4, primer and paint finish in anthracite gray, RAL 7016																				K23
Special paint finish for environmental conditions according to climate group 3K4, primer and additional paint finish																				K23+X..
Primed (unpainted)																				K24
Paint finish ⁶⁾	jet black, matt											RAL 9005				X01				
	cream											RAL 9001				X02				
	reseda green											RAL 6011				X03				
	pebble grey											RAL 7032				X04				
	sky blue											RAL 5015				X05				
	light ivory											RAL 1015				X06				
	white aluminum											RAL 9006				X08				
	anthracite gray											RAL 7016				X09				

- 1) Only up to frame size 100
- 2) Connector size M58, cannot be rotated. A terminal box can only be selected as an alternative up to connector size M58.
- 3) For motors with forced ventilation IP54 or IP55
- 4) More detailed information is provided in Chapter "Options (Page 50)" and in the associated Chapter Configuration Manual (<https://support.industry.siemens.com/cs/document/109482538/simotics-s-1ft7-synchronous-motors-for-sinamics-s120?dti=0&dl=en&pnid=13350&lc=de-WW>)
- 5) Only for 1FT7117 motors
- 6) Additional colors can be found in the "Configuration Manual (<https://support.industry.siemens.com/cs/document/109482538/simotics-s-1ft7-synchronous-motors-for-sinamics-s120?dti=0&dl=en&pnid=13350&lc=de-WW>)" and in the catalog D 21.4 (<https://support.industry.siemens.com/cs/ww/de/view/109747019/en>)

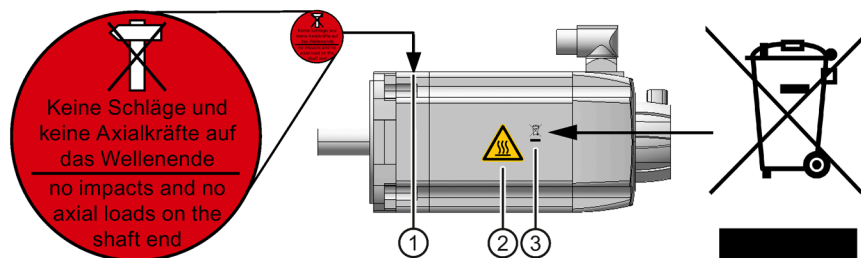
2.6 Mounting and options

2.6.1 Safety symbols on the motor

The following warning and information labels are attached to the motor.

- Observe these instructions when handling the motor.

Warning and information labels on the motor



- 1 Notice: "No impacts and no axial loads on the shaft end"
- 2 "Warning, hot surface" warning sign
- 3 WEEE mark
Dispose of the motor in compliance with WEEE directive 2012/19/EU.

China Energy Label (CEL)

The CEL is located on the plastic sheeting wrapped around the motor.

It shows the energy classification of the motor.



Figure 2-3 Example of the "China Energy Label"

The following motor specifications are listed on the CEL:

- Motor type
- Efficiency in %
- Rated power in kW
- Rated speed in rpm

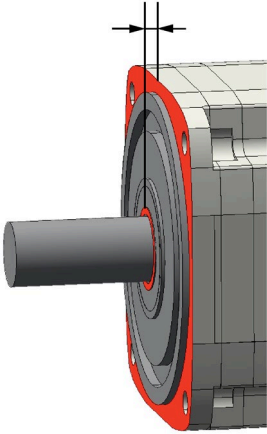
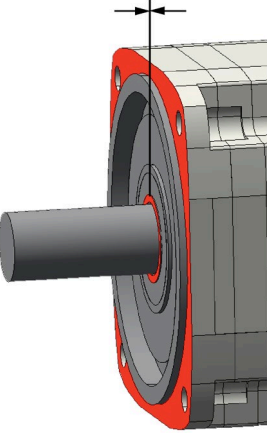
Further labels

Note

Further labels are enclosed in the packaging. If the motor is visible and touchable following installation, attach the enclosed labels to further sides of the motor where applicable.

2.6.2 Flange forms

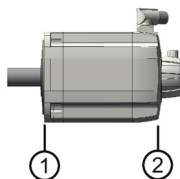
Table 2- 8 Flange forms

Designation	Representation	Description
Recessed flange		Flange recessed In the article number: 1FT7□□□-□□□□0-□□□□ or 1FT7□□□-□□□□5-□□□□
Classic flange		Flange compatible with 1FT6/1FK7 motors In the article number: 1FT7□□□-□□□□1-□□□□ or 1FT7□□□-□□□□4-□□□□

2.6.3 Bearing version

The motors have the following bearings:

- Deep-groove ball bearings with life grease lubrication
- Location bearings at the DE



- 1 DE or drive end
- 2 NDE or non-drive end

2.6.4 Thermal motor protection

A temperature-dependent resistor is integrated as temperature sensor to monitor the motor temperature.

- Starting in 2017, 1FT7 motors with integrated DRIVE-CLiQ interface are generally changed to the Pt1000. The marking is made with the revision number of the motors. The order number does not need to be changed.
- Motors without integrated DRIVE-CLiQ interface are converted with changed order number to the new Pt1000 temperature sensor. In connection with the following encoders without DRIVE-CLiQ, the 12th digit of the order number must be changed accordingly.

1FT7 motors without DRIVE-CLiQ interface:	Old order number with KTY 84-130	New order number with Pt1000
With recessed flange and IC2048S/R encoder	1FT7□□□-□□□□0-□N□□	1FT7□□□-□□□□5-□N□□
With recessed flange and AM2048S/R encoder	1FT7□□□-□□□□0-□M□□	1FT7□□□-□□□□5-□M□□
Flange-compatible to 1FT6/1FK7 with IC2048S/R encoder	1FT7□□□-□□□□1-□N□□	1FT7□□□-□□□□4-□N□□
Flange-compatible to 1FT6/1FK7 with AM2048S/R encoder	1FT7□□□-□□□□1-□M□□	1FT7□□□-□□□□4-□M□□

Only versions with a Pt1000 temperature sensor can be ordered for 1FT7, frame size 132.

Flange-compatible to 1FT6 with IC2048S/R encoder	-	1FT713□-□□□□4-□N□□
Flange-compatible to 1FT6 with AM2048S/R encoder	-	1FT713□-□□□□4-□M□□

Table 2-9 Features and technical data

Type	KTY 84-130	Pt1000
Resistance when cold (20°C)	Approx. 580 Ω	Approx. 1090 Ω
Resistance when hot (100°C)	Approx. 1000 Ω	Approx. 1390 Ω
Connection	Via signal cable	Via signal cable
Response temperature	Prewarning < 130°C Alarm/disconnection at max. 145°C ±5°C	Prewarning < 130°C*) Alarm/disconnection at max. 145°C ±5°C*)

*) For AM25EN22 encoders with EnDat 2.2, the temperature output value does not directly correspond to the winding temperature. Pay attention to the table below.

Motor winding temperature	Output value of AM25EN2.2 encoder
130°C	Prewarning above 4452
145°C	Alarm/disconnection above 4525

The following figure shows the resistance characteristic as a function of the temperature for KTY 84-130 and Pt1000 temperature sensors.

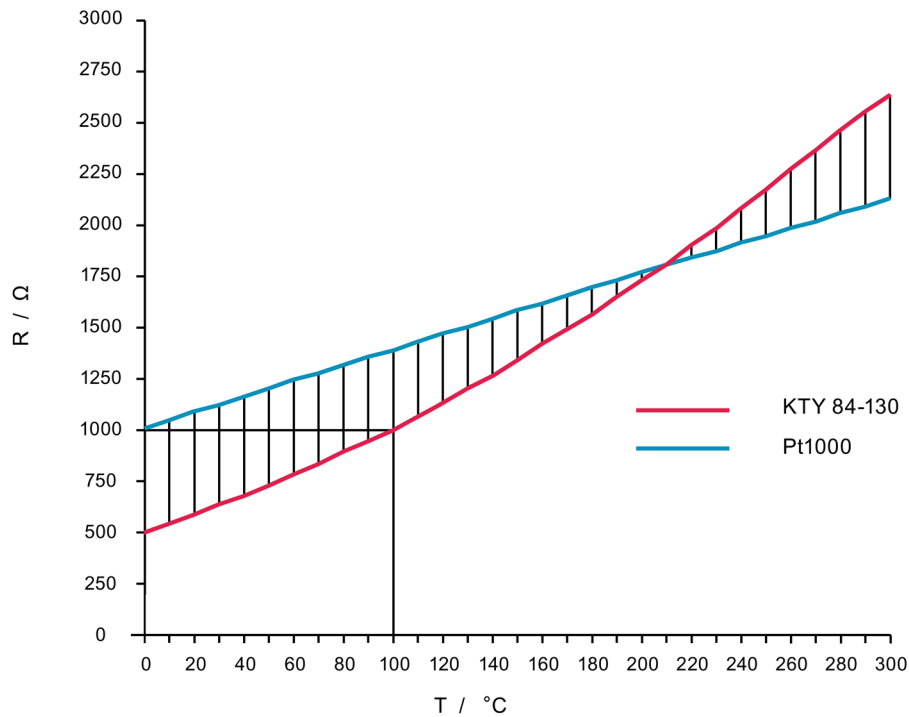


Figure 2-4 Comparison of KTY 84-130 and Pt1000 temperature sensors

The winding temperature is evaluated in the converter. When a fault occurs, an appropriate message is output at the converter. When the motor temperature increases, a message "Alarm motor overtemperature" is output. The message can be evaluated externally.

If this message is ignored, the converter shuts down with the appropriate fault message after a preset time period or when the motor limiting temperature or the shutdown temperature is exceeded.

The integrated temperature sensor protects the synchronous motors only to a certain extent against overloads:

Shaft heights 36 and 48: up to $2 \cdot I_{0(60K)}$ and speed $\neq 0$
 from SH 63: up to $3 \cdot I_{0(60K)}$ and speed $\neq 0$

NOTICE

Destruction of the motor for a thermal critical load

For load applications that are critical from a thermal perspective, e.g. overload when the motor is stationary or an overload of M_{max} longer than 4 s, adequate protection is no longer available.

- Activate the "Thermal motor model i^2t monitoring" function in the converter.

The temperature sensor is part of a SELV circuit, which can be destroyed if high voltage is applied. The temperature sensor is designed so that the DIN/EN requirement for "protective separation" is fulfilled.

2.6.5 Encoder

Encoder systems with DRIVE-CLiQ interface

Motors with a DRIVE-CLiQ encoder interface are provided for the SINAMICS S110/S120 converter system. Signal transmission to the converter is performed digitally. They have an electronic rating plate that simplifies commissioning and diagnostics. The motor and encoder system are automatically identified and all motor parameters are automatically set, see SINAMICS Equipment Manual.

NOTICE
<p>Damage to components that are sensitive to electrostatic discharge</p> <p>The contacts of the DRIVE-CLiQ interface have direct contact to components that can be damaged/destroyed by electrostatic discharge (ESDs).</p> <ul style="list-style-type: none">• Do not touch the connections directly even with tools. They could be charged electrostatically.

Encoder systems without a DRIVE-CLiQ interface

For motors without an integrated DRIVE-CLiQ interface, the analog encoder signal is first converted to a digital signal in the drive system. For these motors, the encoder signals for SINAMICS S110 / S120 must be transferred via Sensor Modules.

NOTICE
<p>Damage to components that are sensitive to electrostatic discharge</p> <p>The contacts of the connector plug have direct contact to components that can be damaged/destroyed by electrostatic discharge (ESDs).</p> <ul style="list-style-type: none">• Do not touch the connections directly even with tools that could be electrostatically charged.

2.6.5.1 Overview of the encoders that can be deployed

NOTICE
Destruction of the encoder when incorrectly handling ESD parts and components
Encoders are ESD components.
<ul style="list-style-type: none"> Comply with the regulations for handling parts and components that can be destroyed by electrostatic discharge, see Equipment damage due to electric fields or electrostatic discharge (Page 16).

The following encoders can be used with the 1FT7.

Encoders with DRIVE-CLiQ interface: For SINAMICS drive systems		
	Incremental encoders or singleturn encoders	Multiturn absolute encoders
High resolution, suitable for Safety Integrated Extended Functions		
Encoder designation	AS24DQI	AM24DQI
Identification in the article number	B, K ^{2) 3)}	C, L ²⁾
Resolution	16,777,216 = 24 bits	16,777,216 = 24 bits
Absolute position	Yes, one revolution	Yes, 4096 revolutions (12 bits)
Max. angular error	± 40"	± 40"
Average resolution, suitable for Safety Integrated Extended Functions		
Encoder designation	IC22DQ ¹⁾	AM22DQ ¹⁾
Identification in the article number	D ^{3) 4)}	F ^{3) 4)}
Resolution	4,194,304 = 22 bit	4,194,304 = 22 bit
Absolute position	No	Yes, 4096 revolutions (12 bits)
Max. angular error	± 40"	± 40"

Encoder without DRIVE-CLiQ interface: Sin/Cos 1Vpp, EnDat 2.1 or EnDat2.2			
	Incremental encoder	Multiturn absolute encoders	
Suitable for Safety Integrated Extended Functions			
Encoder designation	IC2048S/R	AM2048S/R	AM25EN22
Identification in the article number	N ³⁾	M ³⁾	E
Resolution	2048 Sin/Cos 1Vpp	2048 Sin/Cos 1Vpp	25-bit

	Encoder without DRIVE-CLiQ interface: Sin/Cos 1Vpp, EnDat 2.1 or EnDat2.2		
Absolute position	No	Yes, 4096 revolutions	Yes, 4096 revolutions
Max. angular error	± 40"	± 40"	± 40"

- 1) Use the DQI encoder generation for new applications. The AM22DQ is superseded by the AM24DQI and the IC22DQ by the AS24DQI.
- 2) Code letters for the round connector M17
- 3) Not approved for 1FT7117
- 4) Not approved for 1FT713□

2.6.5.2 Incremental encoders

Description

This encoder senses relative movements and does not supply absolute position information. In combination with evaluation logic, a zero point can be determined via the integrated reference mark, which can be used in turn to calculate the absolute position.

The encoder outputs sine and cosine signals. These signals can be interpolated using evaluation logic (usually 2048x) and the direction of rotation can be determined. In the version with a DRIVE-CLiQ interface, this evaluation logic is already integrated in the encoder.

Function and technical specifications

- Angular measuring system for the commutation
- Speed actual value sensing
- Indirect incremental measuring system for the position control loop
- One zero pulse (reference mark) per revolution

Table 2- 10 Technical specifications for incremental encoders

Encoders	Code	Operating voltage	Max. current consumption	A-B track: Resolution incremental (sin/cos periods per revolution)	Angular error
Without DRIVE-CLiQ interface					
Incremental encoder sin/cos 1 Vpp, 2048 S/R with C and D tracks	IC2048S/R	5 V ± 5%	140 mA	2048 S/R (1 Vpp)	± 40 "
with DRIVE-CLiQ interface¹⁾					
Incremental encoder 22 bits (resolution 4,194,304, internal 2048 S/R) + commutation position 11 bits	IC22DQ	24 V	180 mA	4,194,304 (=22 bits)	± 40 "

Mech. speed limit for all incremental encoders: 12000 rpm

- 1) The "singleturn absolute encoders" are other encoders which can be used as incremental encoders in the SINAMICS drive system. Use the new DQI encoder generation for new applications. The IC22DQ is superseded by the AS24DQI.

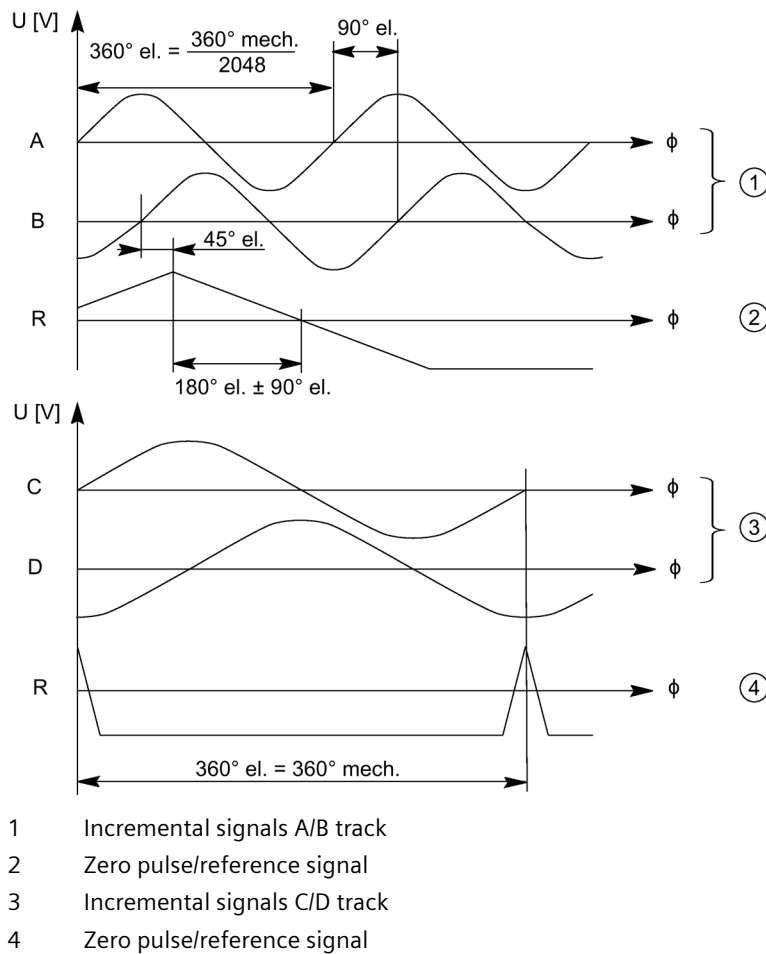


Figure 2-5 Signal sequence and assignment for encoder IC2048S/R without a DRIVE-CLiQ interface, for a positive direction of rotation

For encoder connection, pin assignment, and cables, refer to Chapter "Connection system".

2.6.5.3 Absolute encoder

Description of multiturn absolute encoders

This encoder outputs an absolute angular position between 0° and 360° in the specified resolution. In addition, the encoder can distinguish 4096 revolutions. With a ball screw, for example, the encoder can determine the absolute position of the slide over a long distance.

Description: Singleturn absolute encoder

This encoder outputs an absolute angular position between 0° and 360° in the specified resolution. Contrary to a multiturn absolute encoder, the singleturn absolute encoder can only supply the position value within just one revolution. The singleturn absolute encoder does not have a traversing range.

Function and technical specifications

- Angular measuring system for the commutation
- Speed actual value acquisition
- For singleturn encoder: Indirect measuring system for absolute position determination within a revolution
- For multiturn encoder: Indirect measuring system for determining the absolute position within a traversing range of 4096 revolutions

Table 2- 11 Technical specifications, absolute encoder without DRIVE-CLiQ interface

Designation	Code	Operating voltage	Maximum power consumption	Absolute resolution (singleturn)	Traversing range (multiturn)	A-B track: Incremental resolution (sin/cos periods per revolution)	Angular error
Serial absolute position interface: EnDat 2.1							
2048 S/R absolute encoder, 4096 revolutions, multiturn, with EnDat interface 2.1	AM2048S/R	5 V ± 5 %	200 mA	8192 (= 13 bits)	4096 (= 12 bits)	2048 S/R (1 Vpp)	± 40 "
Serial absolute position interface: EnDat 2.2 ¹⁾							
Absolute encoder, 25-bit, 4096 revolutions multiturn, with EnDat interface 2.2 (without incremental signal) for 1FT704 ... 1FT713	AM25EN22	3.6 ... 14 V	at 5 V: 105 mA	33,554,432 (= 25 bits)	4096 (= 12 bits)	Without	± 40 "

1) Adjusting the encoder for motor voltage When turning the motor clockwise (view to motor shaft), the ST position zero value of the encoder coincides with the zero crossing of the motor voltage $V_{\text{neutral point}}$ with positive gradient.

Table 2- 12 Technical specifications, absolute encoder with DRIVE-CLiQ interface

Designation	Code	Operating voltage	Maximum power consumption	Absolute resolution (singleturn)	Traversing range (multiturn)	Angular error
Serial absolute position interface: DRIVE-CLiQ						
Absolute encoder, singleturn, 24-bit	AS24DQI	24 V	110 mA	16,777,216 (= 24 bits)	-	± 40 "
Absolute encoder 24-bit + 12-bit multiturn	AM24DQI	24 V	110 mA	16,777,216 (= 24 bits)	4096 (= 12 bits)	± 40 "
Absolute encoder 22 bits + 12 bits multiturn	AM22DQ ¹⁾	24 V	200 mA	4,194,304 (= 22 bits)	4096 (= 12 bits)	± 40 "

Mech. speed limit for all absolute encoders: 12000 rpm

1) Use the new DQI encoder generation for new applications. The AM22DQ is superseded by the AM24DQI absolute encoder.

The signal sequence and assignment A/B track is provided in Chapter "Incremental encoders (Page 41)" figure "Signal sequence and assignment for encoder IC2048S/R without DRIVE-CLiQ interface for a positive direction of rotation".

Information on encoder connection, pin assignment and cables is provided in Chapter "Signal connection (Page 96)".

2.6 Mounting and options

2.6.6 Cooling

2.6.6.1 Natural cooling

On naturally cooled motors, the heat loss is dissipated through thermal conduction, radiation and natural convection.

Some of the heat loss is dissipated through the mounting surface of the motor. From large motors, heat is dissipated via the base frame (steel plate).

Note the specifications on thermally non-insulated mounting and on thermally insulated mounting in Chapter Mounting conditions (Page 64)

Note

To ensure enough heat is dissipated, a minimum clearance to adjacent components of 100 mm must be kept free on three side surfaces.

- Mount the motor in such a way that sufficient clearance is provided for heat dissipation.

The motor ratings apply in an ambient temperature of 40 °C (104 °F). If the ambient temperature exceeds 40 °C (104 °F), you must adjust the torque and power of the motor accordingly.

- Adjust the torque or the power of the motor at the converter based on the table in Chapter "Environmental conditions (Page 26)."
Follow the operating instructions of the converter.

2.6.6.2 Forced ventilation

This cooling method is achieved using a separate ventilation unit with a fan that is driven independently of the motor.



WARNING

Explosion hazard

Operating the fan in an environment with inflammable, chemically corrosive, electrically conductive, or explosive dust or gases can cause explosions and result in death or serious injury.

- Operate the motor with forced ventilation only in an environment that is free of inflammable, chemically corrosive, electrically conductive, or explosive dust or gases.

! WARNING
<p>Danger to life due to objects being sucked in.</p> <p>For example, hair, neckties, loose objects can be sucked into the air intake and cause death or serious injury.</p> <ul style="list-style-type: none"> • Take measures to prevent objects from being sucked in, e.g. <ul style="list-style-type: none"> – Wear a head covering or hair net, – Remove any neckties or similar, – Keep the air intake area free.

Note

Ensure that the motor is only operated when the external fan is running.

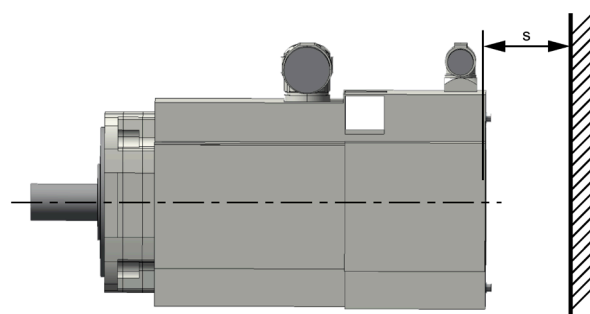
Operate the fan only with normal ambient air.

Table 2- 13 Air flow direction of the forced ventilation

Motor	Air flow direction
For 1FT706□ to 1FT710□	NDE --> DE
For 1FT713□	DE --> NDE

Deposits of contaminated air can impair the heat dissipation of the motor or block the cooling duct and overheat the motor.

- Position the motor so that the cooling air can freely flow in and out.
- Make sure that no heated discharged air is drawn in.
- Maintain the minimum clearance between the air intake and discharge openings and adjacent components (see the "Minimum clearance" figure).
- To remove the fan cover and connect the signal connector when the motor is installed, maintain a minimum clearance of 125 mm.



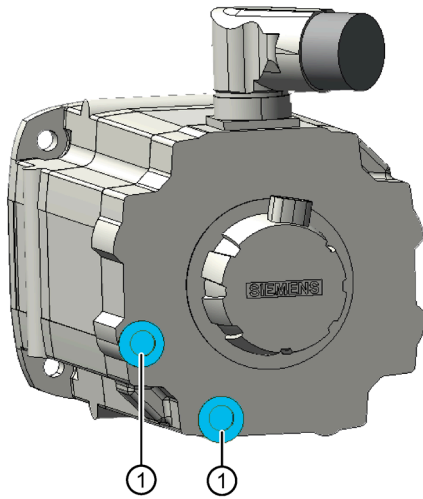
- s
- A minimum clearance of 30 mm applies to SH 63 and SH 80.
 - A minimum clearance of 50 mm applies to SH 100.
 - A minimum clearance of 60 mm applies to SH 132.

Figure 2-6 Minimum clearance s

2.6.6.3 Water cooling

The motor can only be operated in a closed cooling-water circuit with a cooling unit.

The motor is connected to the cooling circuit by means of two female threads at the rear of the motor. The intake and discharge lines can be connected to either.



1 Ports for the water cooling

Notes on setting up the cooling circuit

- Use pipes and fittings made of brass, stainless steel, or plastic. Galvanized pipes and fittings are not permitted.

Note

If you use different materials in the cooling circuit, pay attention to the electrochemical series. That is the reason why zinc must not be used in cooling water circuits.

- Install a filter (100 μm) against contamination in the flow line of the cooling circuit.
- If necessary, limit the flow rate with a flow restrictor. Install the flow restrictor downstream of the motor. It must not be installed directly in front of the inlet because it may cause cavitation.

Table 2- 14 Technical data relating to water cooling

Cooling water connection		G 1/4"
Cooling water flow	1FT706x	3 l/min
	1FT708x	4 l/min
	1FT710x	5 l/min
Max. pressure at inlet		Max. 6 bar
Pressure drop between inlet and outlet	1FT706x	< 0.3 bar for minimum cooling water flow
	1FT708x	< 0.3 bar for minimum cooling water flow
	1FT710x	< 0.25 bar for minimum cooling water flow
Minimum cooling water inlet temperature		$T_{\text{cooling}} > T_{\text{ambient}} - 5 \text{ K}$
Maximum cooling water inlet temperature, without derating		$\leq 30^\circ \text{ C}$, higher values will cause derating

Note**Avoid condensation**

Cooling water temperatures that are lower than the ambient temperature tend to result in increased water condensation. The difference between the cooling water inlet temperature and the ambient temperature must therefore not exceed a maximum of 5 K (Kelvin).

- Select the cooling water inlet temperature such that condensation does not form on the surface of the motor: $T_{\text{cooling}} > T_{\text{ambient}} - 5 \text{ K}$.
- Additionally shut off the coolant supply if the motor is to remain at a standstill for a long time.

Lowering the inlet temperature of the cooling water by 5 K relative to the ambient temperature permits a relative humidity up to approx. 75% for the temperatures in the "Derating factors" table below. Condensation does not then occur. Deviations from these values are provided by the Mollier diagram.

- If the relative humidity is higher than 75%, you will have to raise the inlet temperature of the cooling water further.
- If the actual relative humidity is lower than 75%, you can lower the inlet temperature of the cooling water further.

Table 2- 15 Derating factors

Cooling water inlet temperature	$\leq 30^\circ \text{ C}$	35° C	40° C	45° C
Derating factor	1.00	0.97	0.95	0.92

The factors refer to the static torque M_0 . You shift the S1 characteristic curve in parallel.

As the coolant, use only water that meets the "water specification for coolant".

Note

If possible, use deionized water with reduced conductivity (5 ... 10 $\mu\text{S/cm}$) as the coolant.

Other coolants (e.g. cooling-lubricating medium, water-oil mixtures with 10% oil and higher) can reduce the power of the motor.

Table 2- 16 Water specifications for coolant

	Quality of the water used as coolant for motors with aluminum, stainless steel tubes + cast iron or steel jacket
Chloride ions	< 40 ppm, can be achieved by adding deionized water.
Sulfate ions	< 50 ppm
Nitrate ions	< 50 ppm
pH value	6 ... 9 (for aluminum 6 ... 8)
Electrical conductivity	< 500 μ S/cm
Total hardness	< 170 ppm
Dissolved solids	< 340 ppm
Size of entrained particles	< 100 μ m
Corrosion protection	0.2 to 0.25% inhibitor, Nalco TRAC100 (previously OGE056)
Anti-freeze protection	When required, 20 - 30% Antifrogen N (made by Clariant)

The values specified for the water as a coolant are the requirements for a closed cooling circuit. Not all of the specified concentrations will occur in the water at the same time. Ask your water utility for the values if necessary.

Note

Inhibitor is not required if an Antifrogen N concentration > 20% is ensured.

Derating is not required for antifreeze protection components < 30%.

If there is a risk of frost, preventive measures must be taken for operation, storage, and transportation.

- Replenish antifreeze for operation (see Table "Quality of the coolant").
-

Note

- Avoid mixing different antifreeze products.
 - Use and dose the antifreeze according to the manufacturer's specifications.
-

2.6.7 Holding brake (option)

2.6.7.1 Type of holding brake

The holding brake is implemented as a permanent-magnet brake.

The magnetic field of the permanent magnets exerts a pulling force on the brake armature disk. This means that in the no-current condition, the brake is closed and the motor shaft is held.

When 24 V DC rated voltage is applied to the brake, the current-carrying coil produces an opposing field. This neutralizes the force of the permanent magnets and the brake opens without any residual torque.

The permanent magnet brake has a torsionally stiff connection to the motor rotor. Therefore the brake has no play.

NOTICE

Damage to the motor due to axial forces on the shaft extension

Axial forces on the shaft extension can damage motors with an integrated permanent-magnet holding brake.

- Avoid axial forces on the shaft extension.

2.6.7.2 Properties

- The holding brake is used to clamp the motor shaft when the motor is at a standstill. The holding brake is **not** a working brake for braking the rotating motor.

WARNING

Danger to life caused by unintended movements of the machine or installation

If you ignore the permissible number of braking operations, the braking effectiveness of the holding brake can be irreversibly reduced. This can cause unintended movements of the machine or installation resulting in death or serious injury.

- Observe the permissible number of braking operations.
 - Operate the motor only in conjunction with an intact brake.
- Restricted Emergency Stop operation is permissible. You can perform up to 2000 braking operations with three times the rotor moment of inertia as an external moment of inertia from a speed of 3000 rpm, without the brake being subject to an inadmissible amount of wear.

2.6 Mounting and options

- Do not exceed the maximum operating energy per emergency braking.
- The rated voltage of the holding brake is 24 VDC +/- 10%. Voltages outside this tolerance range can cause faults.

NOTICE
Premature wear of the motor holding brake when operated outside its permissible voltage range
Operating the motor holding brake outside its permissible voltage range at the motor connection will damage the brake.
<ul style="list-style-type: none">• Ensure that the motor holding brake is only operated within its permissible voltage range.

NOTICE
Faulty brake function due to inadmissible wear
Inadmissible wear means that the braking function can no longer be guaranteed.
<ul style="list-style-type: none">• Comply with the emergency stop features stated above.• Avoid repeated brief acceleration of the motor against a holding brake that is still closed. Consider the operating times of the brakes and the relays in the drive control and enable.

Note

Subsequent conversion of motors with or without a holding brake is not possible.

The technical data for the holding brake is contained in the Configuration Manual of the motor.

2.6.8 Options

The descriptions of the options are contained in the associated Configuration Manual (<https://support.industry.siemens.com/cs/de/de/view/109482538/en>) of the motor





Preparing for use

3.1 Shipping and packaging

The drive systems are put together on an individual basis.

Please pay attention to the handling notes on the packaging in which the motor is delivered.

Table 3- 1 Handling notes and their meaning

Symbol	Meaning	Symbol	Meaning
	Fragile (ISO 7000, No. 0621)		Keep dry (ISO 7000, No. 0626)
	Top (ISO 7000, No. 0623)		Do not stack (ISO 7000, No. 2402)

Checking the delivery for completeness

- Upon receipt of the delivery, check immediately whether the items delivered match the accompanying documents.

Note

Siemens will not accept any claims for missing or incorrect items submitted at a later date.

- Report any visible transportation damage to the delivery company immediately.
- Report any visible defects or missing items to the competent Siemens office immediately.

The delivery includes a second rating plate (type plate). The second rating plate can be used to post the motor data additionally in the vicinity of the motor.

The additional rating plate (type plate) is

- in the terminal box for motors with terminal boxes
- in the safety data sheet for motors with power connectors.

The supplementary sheets with the safety instructions are part of the scope of supply.

Note

Keep the sheets with the safety instructions in an accessible location at all times.

3.2 Transportation and storage

3.2.1 Transportation

This chapter explains how you can transport the motor.

Note

Comply with the local national regulations for the transportation of motors.

- Use suitable load suspension devices when transporting and installing the motor.
- Transport the motor carefully.

Lifting and transporting with slings up to frame size 80

Up to a frame size of 80 mm, you can lift and transport the motor with slings.



! WARNING

Incorrectly dimensioned or incorrectly used lifting slings

If lifting slings are incorrectly dimensioned or incorrectly used, the motor can fall and cause death, severe injury and/or damage to property.

- Only use lifting slings that are suitable for the weight of the motor.
- Attach the lifting slings as shown in the figure "Lifting and transporting the motor using slings".

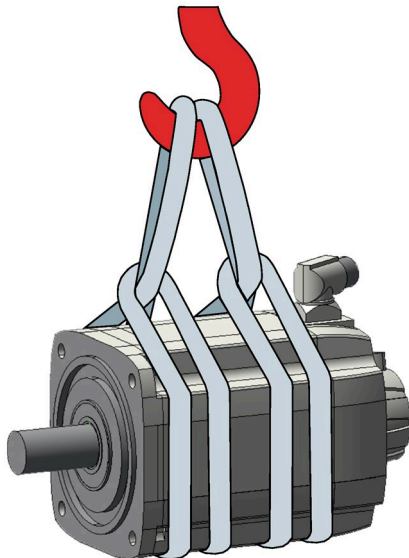


Figure 3-1 Transporting with slings

Lifting and transporting with lifting eyes from frame size 80

For motors with a frame size of 80 mm or more, use lifting eyes and a crossbar to lift and transport the motor.

The threads for the lifting eyes are provided for 1FT708□, 1FT710□ and 1FT7117 motors in M8 and for 1FT713□ motors in M10.

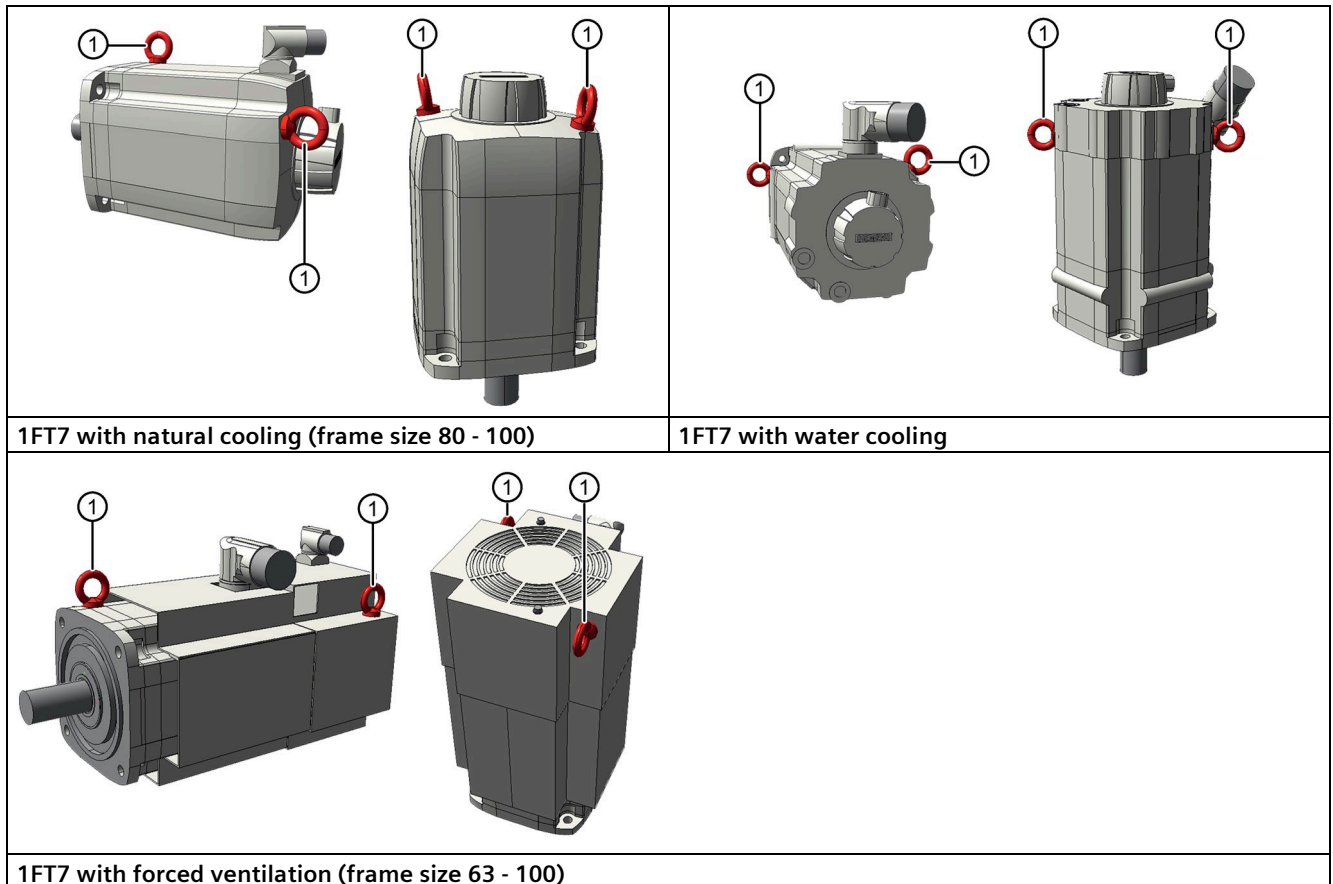


! WARNING

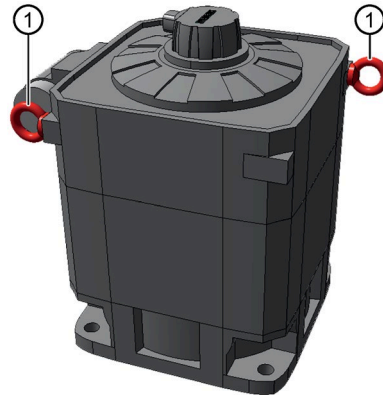
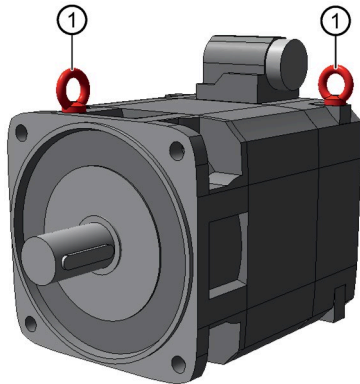
Incorrect or unused lifting points

Due to incorrect or unused lifting points, the motor can fall and cause death, severe injury and/or damage to property.

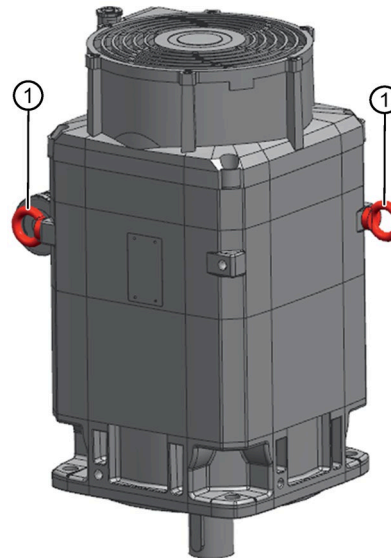
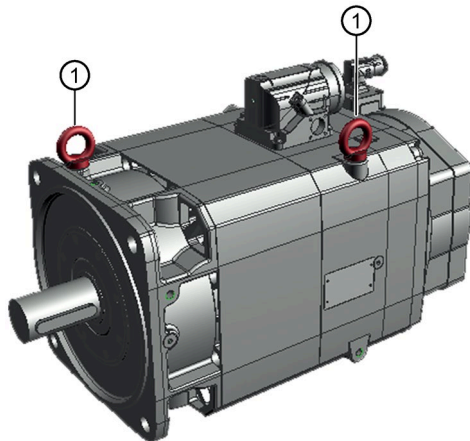
- Lift and transport larger motors
 - only at the eyebolts in the end shields
 - on the NDE, only at the lifting eyes on the external fan
- Completely screw in the lifting eyes and tighten by hand (approx. 8 Nm).
- Do not use bent or damaged lifting eyes.
- Use only lifting eyes with laminated fiber washers.
- Loads applied transversely to the plane of the lifting eyes are not permitted.



① Lifting eyes



1FT7 with natural cooling (frame size 132)



1FT7 with forced ventilation (frame size 132)

① Lifting eyes

Transporting with a crossbar

Procedure

1. Screw in the lifting eyes at appropriate locations for the orientation of the motor during transportation.
2. Hook the crossbar into the lifting eyes.

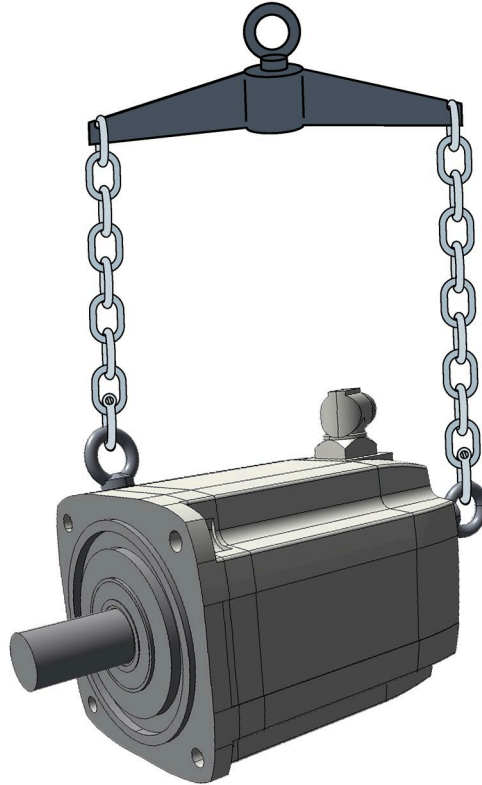


Figure 3-2 Transportation with crossbar

⑪

Setting down the motor



WARNING

Danger of severe injury due to unintentional movements of the motor

If the motor is not secured after being set down, unintentional movements of the motor can cause serious injury.

- After the motor has been set down, secure it in position.
- Do not release the lifting devices until the motor has been secured in position.

Procedure

1. Set the motor down on a hard, level surface.
2. Secure the motor against unintentional movements.

⑪

3.2.2 Storage

Note

If possible, store the motor in its original packaging.

NOTICE

Frost damage to water-cooled motors
--

Water-cooled motors can be damaged by frost

- Remove the liquid coolant before storage and blow out the cooling ducts with compressed air.

Preserve the free shaft ends, sealing elements, and flange surfaces with a protective coating.

NOTICE

Seizure damage to bearings

If the motors are stored incorrectly, bearing seizure damage can occur, e.g. brinelling, as a result of vibration.

- Comply with the storage conditions.

Storage conditions

Please observe the warning instructions on the packaging and labels.

Store the motor in a dry, dust-free, and vibration-free indoor storage facility.

Adhere to the following values:

- $v_{rms} < 0.2$ mm/s
- Max. temperatures: -15 °C to 55 °C
- Mean relative humidity < 75%

Long-term storage

Note

Storage time up to two years

The storage time affects the properties of the roller bearing grease.

- Store the motor for up to two years at -15 °C to 55 °C.
-

Note

In the case of storage in transit over 6 months, special arrangements must be made for preservation.

- Contact Technical Support.
-

If you store the motor for longer than six months, the storage facility must meet the following conditions:

- The motor must be protected against extreme weather conditions.
- The facility air must be free of corrosive gases.
- The facility must be free of vibrations ($v_{\text{eff}} < 0.2 \text{ mm/s}$)
- According to EN 60034-1, the temperature must be -15° C to 55° C.
- The relative humidity of the air must be lower than 60%.

Check the correct state of the motor every six months.

- Check the motor for any damage.
- Perform any necessary maintenance work.
- Check the state of the dehydrating agent and replace when necessary.
- Record the preservation work so that all preservation coating can be removed prior to the commissioning.

Condensation

The following ambient conditions encourage the formation of condensation:


- Large fluctuations of the ambient temperature
- Direct sunshine
- High air humidity during storage.


Avoid these ambient conditions.


Use a dehydrating agent in the packaging.

4.1 Safety instructions



 WARNING
Danger to life as a result of incorrect transport and/or lifting of the motor Incorrectly transporting and/or lifting the motor can result in death, severe injury, and/or damage to property. For instance, the motor can fall. <ul style="list-style-type: none">• Lifting devices, ground conveyors, and load suspension equipment must comply with requirements.• The maximum capacity of the lifting equipment and the load suspension device must correspond to the weight of the motor (see the rating plate).• Do not attach any additional loads to the lifting equipment.• To hoist the motor, use suitable cable-guidance or spreading equipment, particularly if the motor is equipped with built-on assemblies.• The motor must not be lifted or transported by means of the power connector or signal connector.• Do not stand in the slewing range of hoisting gear or under suspended loads.

 WARNING
Danger to life from permanent magnet fields Even when switched off, electric motors with permanent magnets pose a potential risk for persons with heart pacemakers or implants if they are close to inverters/motors. <ul style="list-style-type: none">• If you have a heart pacemaker or implant, keep a minimum distance of 20 cm.• When transporting or storing permanent magnet motors always use the original packing materials with the warning labels attached.• Clearly mark the storage locations with the appropriate warning labels.• IATA regulations must be observed when transporting by air.

 WARNING
Danger to life due to freely rotating parts Contact with rotating parts can cause death or severe injury. <ul style="list-style-type: none">• Do not touch any rotating parts.• Mount a cover cap or protective shroud over freely rotating parts.

 **WARNING**

Danger to life due to unpredictable movements of the system

The system can perform unpredictable movements under load that can cause death or severe injury.

- De-energize the system before starting work.
- Disconnect all loads from the system.
- Secure the system against accidental reclosure.

NOTICE

Damage to shaft sealing rings caused by solvent

If shaft sealing rings come into contact with solvents when preservation coating is removed, the shaft sealing rings can be damaged.

- Avoid contact between solvents and shaft sealing rings.



NOTICE

Thermal damage to temperature-sensitive parts

Some parts of the electrical motor enclosure can reach temperatures that exceed 100 °C. If temperature-sensitive parts, for instance electric cables or electronic components, come into contact with hot surfaces then these parts can be damaged.

- Ensure that no temperature-sensitive parts come into contact with hot surfaces.

4.2 Checklists prior to mounting

Note

Required checks

The checklists below do not purport to be complete. It may be necessary to perform additional checks and tests in accordance with the situation specific to the particular installation site.

Assemble the motor as described in the following chapters of the operating instructions.

Thoroughly familiarize yourself with the safety instructions and observe the checklists below before starting any work.

Table 4- 1 Checklist (1) - general checks

Check	OK
Are all of the necessary components of the configured drive line-up available, correctly dimensioned, installed and connected?	
Are the environmental conditions in the permissible range?	

Table 4- 2 Checklist (2) - checks regarding the mechanical system

Check	OK
Is the motor free of visible damage?	
Have the mounting surfaces (e.g. flange, shaft) on the customer machine and on the motor been cleaned?	
Are the mounting surfaces free of corrosion?	
Do the mounting dimensions (e.g. shaft diameter, shaft length, true run) on the customer machine meet the specification?	

4.3 Mounting instructions

NOTICE

Damage to the motor due to runout on the shaft extension

Runout and thrust on the shaft extension of the motor can damage the motor.

- Mount the motor without runout and thrust on the shaft extension.

Note

Observe the technical data on the rating plate on the motor enclosure.

- Observe the data on the rating plate, as well as the warning and information plates on the motor.
- Check the permissible ambient conditions (e.g. temperature, installation altitude) at the installation location. Their use is prohibited in hazardous zones.
- Thoroughly clean the shaft extension of corrosion protection. Use commercially available solvents.
- Ensure sufficient dissipation of heat. See Chapter "Mounting conditions (Page 64)"
- If the motor is installed vertically with the end of the shaft facing up, ensure that no liquid can enter the upper bearing.
- If fluid media come into contact with the DE flange, a special flange seal is required.

The motor is sealed via the machined flat contact surface of the centering edge on the DE flange, e.g. with an O ring. The sealing is on the circumference. Sealing at the flange contact surface of the motor is not envisaged.

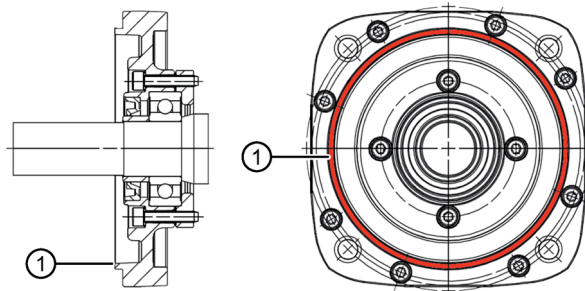


Figure 4-1 Position of the sealing surface on the face of the centering edge

- Ensure that the flange is in even contact with the mounting surface.
- Use hexagon socket head cap screws with a property class of at least 8.8.
- When tightening the fastening bolts avoid any uneven stressing.
- Observe the tightening torques of the fastening bolts of the motor flange. See the "Tightening torques for fastening bolts" table.
- After installation, remove the lifting eyes or tighten them.

Tightening torques for fastening bolts

The general tolerance for the tightening torque is 10%. The tightening torque is based on a friction coefficient of $\mu = 0.14$.

Motor	Screw DIN 7984	Washer ISO 7092 [mm]	Tightening torque for screws (not for electrical connections)
1FT703	M6	6 (d2 = 11)	8 Nm
1FT704	M6	6 (d2 = 11)	8 Nm
1FT706	M8	8 (d2 = 15)	20 Nm
1FT708	M10	10 (d2 = 18)	35 Nm
1FT710 1FT7117	M12	12 (d2 = 20)	60 Nm
1FT713	M16	16 (d2 = 28)	165 Nm

"Tightening torques for fastening bolts" table.

The mounting tools to be used are a torque wrench or pneumatic or impact power screwdriver with automatic switch-off.

4.4 Mounting conditions

On naturally cooled motors, the thermal losses are dissipated by thermal conduction, radiation, and natural convection.

Some of the thermal losses are dissipated through the mounting surface of the motor. On large motors, heat is dissipated via the base frame (steel plate).

Note the specifications on thermally non-insulated mounting and on thermally insulated mounting.

Note

To ensure adequate heat dissipation, a minimum clearance to adjacent components of 100 mm must be maintained on three sides of the motor.

- Mount the motor in such a way that sufficient clearance is provided for heat dissipation.

The motor ratings apply in an ambient temperature of 40° C (104° F). If the ambient temperature exceeds 40° C (104° F), you must adjust the torque and power of the motor accordingly.

- Adjust the torque or the power of the motor at the converter based on the table in Chapter "Derating factors (Page 29)."
Follow the Operating Instructions of the converter.

Fasten the base frame to the mounting surface thermally conductively.

Non-thermally insulated mounting

For the specified motor data, the following mounting conditions apply:

Table 4-3 Non-thermally insulated mounting conditions

Frame size	Steel plate, width x height x thickness in mm	Mounting surface in m ²	Base plate Width x depth in mm	Surface of the base plate in m ²
36 and 48	120 x 100 x 40	0.012	150 x 350	0.053
63 to 100	450 x 370 x 30	0.17	500 x 1500	0.75
132	550 x 380 x 35	0.21	550 x 2500	1.38

For larger mounting surfaces, the heat dissipation conditions improve.

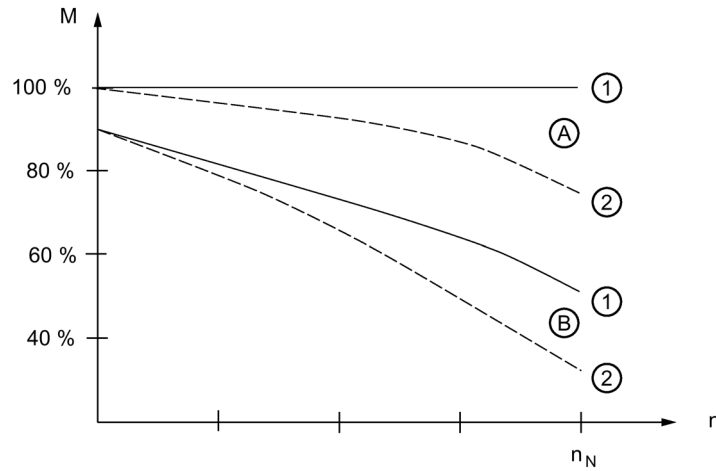
Thermally insulated mounting without additionally mounted components

For non-ventilated and force-ventilated motors, the static motor torque must be reduced by between 5% and 15%. We recommend configuring the static torque of the motor using the $M_{0(60K)}$ values. As the speed increases, the reduction factor rises, see figure "Effect of the mounting conditions on the S1 characteristic curve".

Thermally insulated mounting with additionally mounted components

- Holding brake (integrated in the motor): No additional torque reduction required
- Gearbox: Torque reduction is required, see figure "Effect of the mounting conditions on the S1 characteristic curve".

Effect of thermally insulated/non-insulated mounting without and with gearbox



- A Non-insulated mounting
 - 1 Characteristic without mounted gearbox
 - 2 Characteristic with mounted gearbox
- B Insulated mounting
 - 1 Characteristic without mounted gearbox
 - 2 Characteristic with mounted gearbox

Figure 4-2 Effect of the mounting conditions on the S1 characteristic curve

4.5 Pushing on the output elements

NOTICE

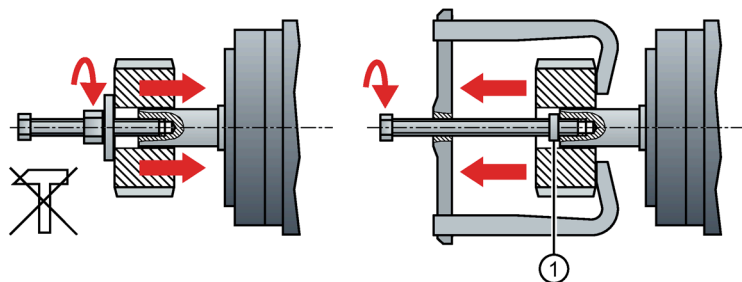
Damage to the motor due to runout on the shaft extension

Runout and thrust on the shaft extension of the motor can damage the motor.

- Mount the motor without runout and thrust on the shaft extension.

Mount or remove the power output elements (e.g. couplings, gear wheels, belt pulleys) using suitable devices only (see figure).

- Use the threaded hole in the shaft extension.
- If required, heat up the output elements.
- When removing the output elements, use an intermediate disk to protect the centering in the shaft extension.
- If necessary, completely balance the motor together with the output elements according to ISO1940.



1 Intermediate washer/disk (to protect the centering in the shaft extension)

Figure 4-3 Mounting and removing output elements

4.6 Vibration response

Motors with a keyway are balanced with a half feather key by the manufacturer. The vibration response of the system at the location of use is influenced by output elements, any built-on parts, the alignment, the installation, and external vibrations. As a result, the motor's vibration values may change.

The motors conform to vibration severity grade A according to EN 60034-14 (IEC 60034-14).

The values indicated refer only to the motor. These values can be increased at the motor due to the overall vibration characteristics of the complete system after the drive has been installed.

The vibration severity grade is maintained up to the rated speed (n_N).

Standard: Vibration severity grade A

Option: Vibration severity grade R (compliance with vibration severity grades A and R up to n_N)

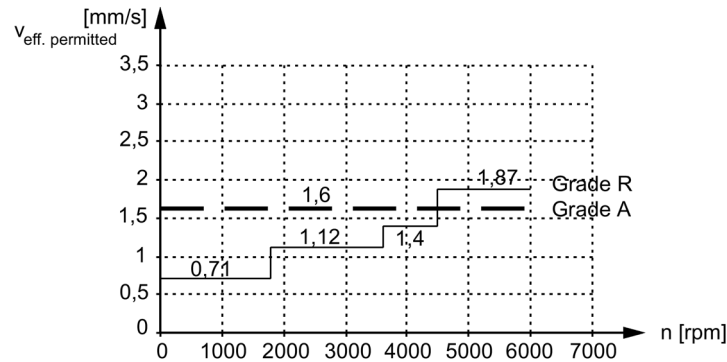



Figure 4-4 Vibration severity grades

4.7 Mounting the water cooling

 WARNING
<p>Defective work on the cooling circuit</p> <p>Defective work on the cooling circuit can cause injury and/or damage to property.</p> <ul style="list-style-type: none"> • Only qualified personnel may assemble, install, and commission the cooling circuit. • Perform installation or service work on the cooling circuit only when the system is de-energized.

Materials used in the motor cooling circuit

The materials used in the cooling circuit must be coordinated with the materials in the motor.

Table 4- 4 Materials used in the motor cooling circuit

Frame size	End shield	Pipes in the stator
1FT706x	Cast iron (EN-GJL-200)	Stainless steel
1FT708x	Cast iron (EN-GJL-200)	Stainless steel
1FT710x	Cast iron (EN-GJL-200)	Stainless steel

4.7.1 Materials for the cooling circuit

Materials and components in the cooling circuit

The following table lists a wide variety of materials and components that may or must not be used in a cooling circuit.

Table 4- 5 Materials and components of a cooling circuit

Material	Used as	Description
Zinc	Pipes, valves and fittings	Use is not permitted.
Brass	Pipes, valves and fittings	Can be used in closed circuits with inhibitor.
Copper	Pipes, valves and fittings	Can be used only in closed circuits with inhibitors in which the heat sink and copper component are separated (e.g. connection hose on units).
Common steel (e.g. St37)	Pipes	Permissible in closed circuits and semi-open circuits with inhibitors or Antifrogen N, check for oxide formation, inspection window recommended.
Cast steel, cast iron	Pipes, motors	Closed circuit and use of strainers and flushback filters. Fe separator for stainless heat sink.

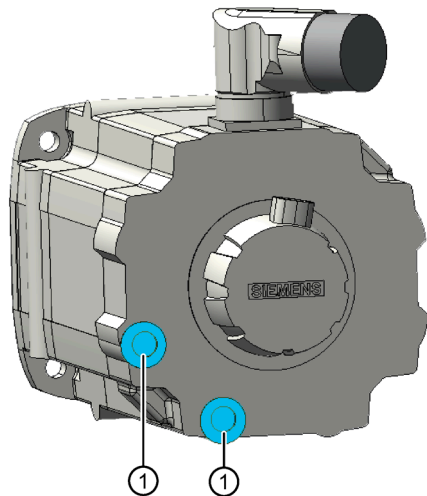
Material	Used as	Description
High-alloy steel, Group 1 (V2A)	Pipes, valves and fittings	Can be used for drinking or tap water with a chloride content up to < 250 ppm, suitable according to definition in Chapter "Cooling water."
High-alloy steel, Group 2 (V4A)	Pipes, valves and fittings	Can be used for drinking or tap water with a chloride content up to < 500 ppm, suitable according to definition in Chapter "Cooling water."
ABS (AcrylnitrileButadieneStyrene)	Pipes, valves and fittings	Suitable according to definition in Chapter "Cooling water." Suitable for mixing with inhibitor and/or biocide as well as Antifrogen N.
Installation comprising different materials (mixed installation)	Pipes, valves and fittings	Use is not permitted.
PVC	Pipes, valves, fittings and hoses	Use is not permitted.
Hoses		Reduce the use of hoses to a minimum (device connection). Must not be used as the main pipe for the whole system. Recommendation: EPDM hoses with an electrical resistance > 10 ⁹ Ω (e.g. Semperflex FKD supplied from Semperit or DEMITTEL; from PE/EPD, supplied from Telle).
Gaskets	Pipes, valves and fittings	Use of FPM (Viton), AFM34, EPDM is recommended.
Hose connections	Transition Hose - pipe	Secure with clips conforming to DIN 2817, available e.g. from Telle.

The following recommendation applies in order to achieve an optimum motor heatsink (enclosure) lifetime:

- Use a closed cooling circuit with a cooling unit using stainless steel technology. The heat is dissipated via a water-to-water heat exchanger.
- Use ABS, stainless steel, or general construction steel for all other components, such as pipes and fittings.

4.7.2 Mounting the water cooling

The motor is connected to the cooling circuit by means of two female threads at the rear of the motor. The inlet and outlet connections can be freely selected.



1 Connecting the water cooling system (1/4" female thread)

Figure 4-5 1FT7 water cooling connection

Preconditions

You have coordinated the installation materials with the materials used in the motor. See Chapter "Materials for the cooling circuit (Page 68)"

The cooling water corresponds to the required cooling water specification. See Chapter "Water cooling (Page 46)".

A corresponding amount of cooling water is available. See rating plate (type plate).

Procedure

Note

Installing the cooling water pipes

Electrically conductive cooling water pipes must not come into contact with live components.

- Ensure adequate insulation.
 - Securely fasten the pipes.
-

1. Mount the configured cooling circuit.
2. Flush the cooling water pipes.
3. Screw the cooling water pipes into the 1/4" female threads.

4. Provide all components in the cooling system (motor, heat exchanger, piping system, pump, pressure equalization tank, etc.) with equipotential bonding.
5. Vent the cooling system.
6. Check the cooling system for leaks.
7. Ensure that the maximum permissible operating pressure does not exceed 6 bar, see Chapter "Water cooling (Page 46)".

⑪

Pressure adjustment

If various components are connected up in the cooling circuit, it may be necessary to measure the inlet and outlet pressure and adjust accordingly.

Note

Mount flow restrictors on the cooling water outlet of the motor or the relevant component!

- Adjust the pressure, if necessary.

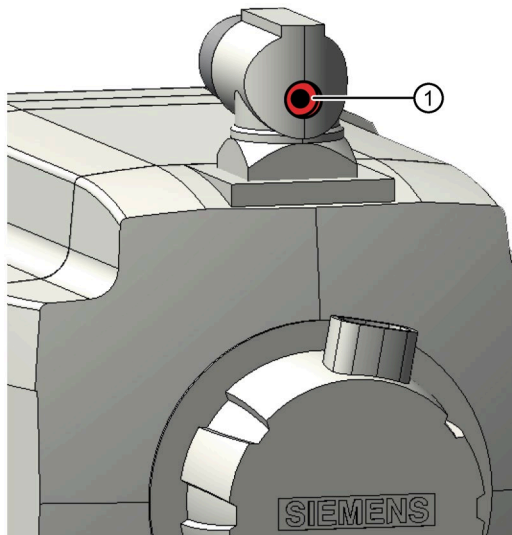
Maintenance and service

It is recommended that the filling level and discoloration or cloudiness of the cooling water is checked at least once a year. Furthermore, every year it must be checked that the cooling water still meets the permissible specification.

If the cooling water level has dropped, the loss should be corrected on closed or semi-open circuits with a prepared mixture of deionized water and inhibitor or Antifrogen N.

4.8 Mounting the sealing air connection

The 1FT7 motors can be protected from the ingress of very creep-capable media with sealing air.

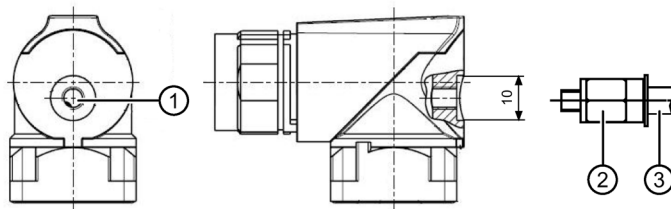


- 1 Sealing air connection (as delivered, the sealing air connection is closed with a sealed hexagon socket-head screw).

Figure 4-6 1FT7 sealing air connection

The sealing air connection is located in the power connector.

Technical specifications of the sealing air connection



- 1 Sealing air connection M5
- 2 Connector nipple, e.g. Festo QSM-B-M5-4-20
- 3 Tube, outside diameter 4 mm, inside diameter 2.5 mm.

Mount the sealing air connection with a tightening torque of 3.5 Nm to 5 Nm.

Requirements of the sealing air supply

Conditioning the sealing air	
Minimum supply air temperature (°C)	Ambient temperature
Maximum supply air temperature (°C)	35

Maximum residual water content (g/m ³)	0.12
Maximum residual oil content (g/m ³)	0.01
Maximum residual dust (mg/m ³)	0.1
Minimum connection pressure (Pa)	0.05 x 10 ⁵
Maximum connection pressure (Pa)	0.1 x 10 ⁵
Particle size for hollow shaft encoders (µm)	< 8
Particle size for optical encoders (µm)	< 3
Volume	
Volume (Nm ³ /h) (Nm ³ = standard cubic meters)	1 - 1.5


Procedure for installing the sealing air connection

1. Remove the sealed hexagon socket-head screw.
2. Screw the connection into the connector.
3. Tighten the sealing air connection to a torque of 3.5 to 5 Nm.

⑪

5.1 Safety instructions



 DANGER
<p>Danger to life due to live parts and other energy sources</p> <p>Death or serious injury can result when live parts are touched.</p> <ul style="list-style-type: none">• Only work on electrical devices when you are qualified for this job.• Always observe the country-specific safety rules. <p>Generally, six steps apply when establishing safety:</p> <ol style="list-style-type: none">1. Prepare for shutdown and notify all those who will be affected by the procedure.2. Disconnect the machine from the supply.<ul style="list-style-type: none">– Switch off the machine.– Wait until the discharge time specified on the warning labels has elapsed.– Check that it really is in a no-voltage condition, from phase conductor to phase conductor and phase conductor to protective conductor.– Check whether the existing auxiliary supply circuits are de-energized.– Ensure that the motors cannot move.3. Identify all other dangerous energy sources, e.g. compressed air, hydraulic systems, or water.4. Isolate or neutralize all hazardous energy sources by closing switches, grounding or short-circuiting or closing valves, for example.5. Secure the energy sources against switching on again.6. Ensure that the correct machine is completely interlocked. <p>After you have completed the work, restore the operational readiness in the inverse sequence.</p>



! WARNING

Danger to life as a result of hazardous voltages when connected to inadequately grounded line supplies

Connecting a motor to an inadequately grounded line supply can result in death, severe injury and damage to the motor if a fault occurs.

- Connect motors, as part of the drive system, to TN and TT line supplies with a grounded neutral point or to IT line supplies.
- Ensure that the SINAMICS devices and motors are compatible with the residual current device according to EN 61800-5-1 before you connect the devices and motors to the line supply using residual current devices (RCDs).
- For line supplies with grounded line conductor, e.g. TT line supplies, use an isolating transformer with grounded neutral point (on the secondary side) between the line supply and the drive system, so that the motor insulation is not overstressed.
- When connected to IT line supplies, a monitoring device must signal the first fault between an active part and ground. Eliminate this fault immediately.

5.2 Permissible line systems

In combination with the drive system, the motors are generally approved for operation on TN and TT systems with **grounded neutral** and on IT systems.

In operation on IT systems, the occurrence of a first fault between an active part and ground must be signaled by a monitoring device. According to IEC 60364-4-41, it is recommended that the first fault is removed as quickly as is practically possible.

In systems with a **grounded external conductor**, an isolating transformer with grounded neutral (secondary side) must be connected between the line supply and the drive system to protect the motor insulation from excessive stress. The majority of TT systems have a grounded external conductor, so in this case an isolating transformer must be used.

5.3 Motor circuit diagram

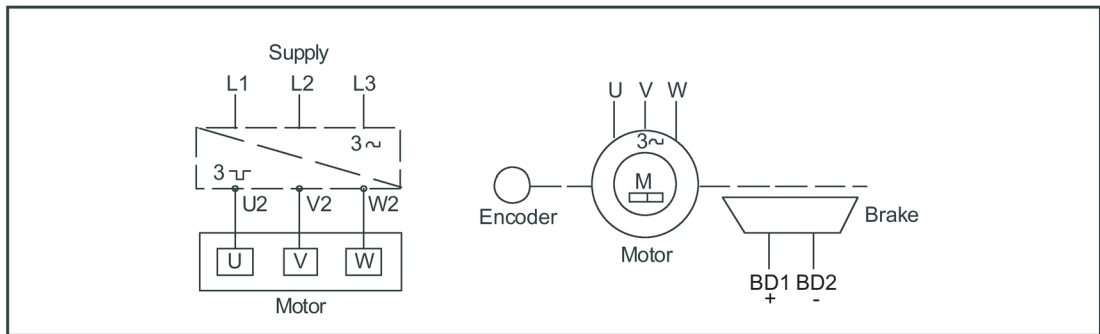


Figure 5-1 Circuit diagram

5.4 System integration

5.4.1 Connection notes

5.4.1.1 Motor connection

NOTICE

Destruction of the motor if it is directly connected to the three-phase line supply

The motor will be destroyed if it is directly connected to the three-phase line supply.

- Only operate the motors with the appropriately configured converters.

NOTICE

Damage to electronic components as a result of electrostatic discharge

Electrostatically sensitive devices (ESD) can be damaged or destroyed by electrostatic discharge.

- Observe the ESD protection measures.
- Only grounded personnel with grounded tools may touch the component connections.
- Heed the EMC information provided by the manufacturer of the converter.

- Use prefabricated cables from SIEMENS (not in the scope of delivery). These cables reduce installation costs and increase operational reliability (see the Product Information).
- The manufacturer of the system/machine is responsible for the proper installation.
- Observe the data on the rating plate and the circuit diagrams.
- Adapt the connecting cables to the type of use and the voltages and currents that occur.
- When fed from a converter, high-frequency current and voltage oscillations in the motor feeder cables can cause electromagnetic interference. Therefore, use shielded power cables.
- Heed the EMC information provided by the manufacturer of the converter.
- Make sure that the inside of the connector is clean and free of cable cuttings and moisture.
- Avoid protruding wire ends.
- Check that the degree of protection is complied with at the seals and sealing surfaces of the connectors.
- Secure connecting cables against torsion, tensile and compressive strain, and protect them against kinking. It is not permissible to subject the connector to continuous force.
- Insert the coding groove of the plug-in connection into the socket until flush and tighten the screw cap by hand in as far as it will go.

Current-carrying capacity for power and signal cables

The current-carrying capacity of PVC/PUR-insulated copper cables is specified for routing types B1, B2 and C under continuous operating conditions in the table with reference to an ambient air temperature of 40° C. For other ambient temperatures, the values must be corrected by the factors from the "Derating factors" table.

Table 5-1 Cable cross-section and current-carrying capacity

Cross-section mm ²	Current-carrying capacity, AC rms 50/60 Hz or DC for routing type			
	B1 / A	B2 / A	C / A	E / A
Electronics (according to EN 60204-1)				
0.20	-	4.3	4.4	4.4
0.50	-	7.5	7.5	7.8
0.75	-	9	9.5	10
Power (according to EN 60204-1)				
0.75	8.6	8.5	9.8	10.4
1.00	10.3	10.1	11.7	12.4
1.50	13.5	13.1	15.2	16.1
2.50	18.3	17.4	21	22
4	24	23	28	30
6	31	30	36	37
10	44	40	50	52
16	59	54	66	70
25	77	70	84	88
35	96	86	104	110
50	117	103	125	133
70	149	130	160	171
95	180	165	194	207
120	208	179	225	240
Power (according to IEC 60364-5-52)				
150	239 ¹⁾	206 ¹⁾	259 ¹⁾	276 ¹⁾
185	274 ¹⁾	235 ¹⁾	296 ¹⁾	315 ¹⁾
> 185	Consult the standard for the values.			

¹⁾ Extrapolated values

Table 5-2 Derating factors for power and signal cables

Ambient air temperature [°C]	Derating factor according to EN 60204-1, Table D1
30	1.15
35	1.08
40	1.00
45	0.91
50	0.82
55	0.71

5.4.1.2 Rotating the connector at the motor

You can rotate power connectors and signal connectors within a limited range of angles.

Use a suitable socket connector to rotate the angled connector.

Unscrew and open the socket connector completely to avoid damaging the pin contacts.

On encoders with an integrated Sensor Module (DQI), the cable outlet toward the top is fixed and cannot be changed.

Note

Rotating the connectors

- Do not exceed the permissible range of rotation.
- To ensure the degree of protection, do not rotate more than 10 times.
- Rotate the connector using a mating connector that matches the connector thread. Only rotate Sensor Modules by hand. Use of tools is not permissible.

Ability to rotate the power connector on motors with natural cooling or water cooling and DRIVE-CLiQ interface 1FT7□□□-□A□□□-□X□□, 1FT7□□□-□W□□□-□X□□; X = B, C

Table 5-3 Rotation range of the power connector

Motor	Angle α	Angle β	Connector size	Drawing
1FT703□ 1FT704□	130°	130°	M23	
1FT706□ 1FT708□	130°	135°	M23	
1FT706□	160°	120°	M40	
1FT708□	170°	120°		
1FT710□ 1FT713□	190°	135°		
1FT708□ 1FT710□ 1FT7117 1FT713□	Cannot be rotated		M58	

① Figure: power connector, connector size M23 (example image)

Ability to rotate the power connector on motors with natural cooling or water cooling without DRIVE-CLiQ interface (M23 round connector) and on motors with DRIVE-CLiQ interface via Sensor Modules or M17 round connector

1FT7□□□-□A□□□-□X□□, 1FT7□□□-□W□□□-□X□□; X = K, L, M, N, D, F

Table 5- 4 Rotation range of the power connector ①

Motor	Angle α	Angle β	Connector size	Drawing
1FT703□ 1FT704□	115°	145°	M23	
1FT706□	130°	145°		
1FT708□	130°	150°		
1FT706□	130°	135°	M40	
1FT708□	140°	135°		
1FT710□ 1FT713□	190°	135°		
1FT708□ 1FT710□ 1FT7117 1FT713□	Cannot be rotated		M58	

① Figure power connector, connector size M23

② Figure: signal connector, round connector M17 or M23

Table 5- 5 Rotation range of the signal connector ②

Motor	With DRIVE-CLiQ via Sensor Modules		M23 connector		M17 connector		Drawing
	Angle α'	Angle β'	Angle α'	Angle β'	Angle α'	Angle β'	
1FT703□ 1FT704□	145°	120°	145°	120°	125°	130°	See table "Rotation range of the power connector (without DRIVE-CLiQ)"
1FT706□	145°	130°	115°	110°	115°	110°	
1FT708□	95°	95°	100°	95°	105°	100°	
1FT710□ 1FT7117 1FT713□	95°	95°	95°	95°	95°	95°	

Ability to rotate the power connectors for the motor and the fan for motors with forced ventilation 1FT7□□□-□S□□□-□□□□

Table 5- 6 Rotation range of the power connector for the motor ①

Motor	Angle α	Angle β	Connector size	Drawing
1FT706□	165°	125°	M40	
1FT708□	110°	110°		
1FT710□	185°	135°		
1FT710□ 1FT7117 1FT713□	Cannot be rotated		M58	

① Figure power connector, connector size M40

③ Figure power connector of fan, connector size M23

Table 5- 7 Ability of signal connector to rotate* ② (not visible in drawing)

Motor	With DRIVE-CLiQ via Sensor Modules, M23 or M17 connector 1)		Drawing
	Angle α'	Angle β'	
1FT706□ 1FT708□ 1FT710□ 1FT7117 1FT713□	Permanently adjustable only by setting 90° CW or CCW 2)	Permanently adjustable only by setting 90° CW or CCW 2)	See table "Rotation range of the power connector (for natural cooling/water cooling)"

* In motors with frame size 63 and forced ventilation, the signal connector protrudes out of the fan cover.

In motors with a frame size of 80 ... 132 and forced ventilation, the signal connector is hidden underneath the fan cover and is not visible.

1) M17 signal connector, only for 1FT7117 motor

2) With other angles, the signal cable may come into contact with the fan and thus be damaged.

Table 5- 8 Rotation range of the power connector for the fan ③

Motor		Connector, size M23		Drawing
		Angle α"	Angle β"	
1FT706 1FT708		155°	130°	See table "Rotation range of the power connector for the motor"
1FT710		150°	130°	
1FT713□	With power connector size M58	105°	170°	
1FT713□	With terminal box	105°	150°	

Table 5- 9 Maximum rotating torque that occurs

Connectors	Maximum rotating torque
Power connector size M23	12 Nm
Power connector size M40	20 Nm
Signal connector M23	12 Nm
Signal connector M17	8 Nm

Selectable outlet directions of the fixed connectors for motor and fan

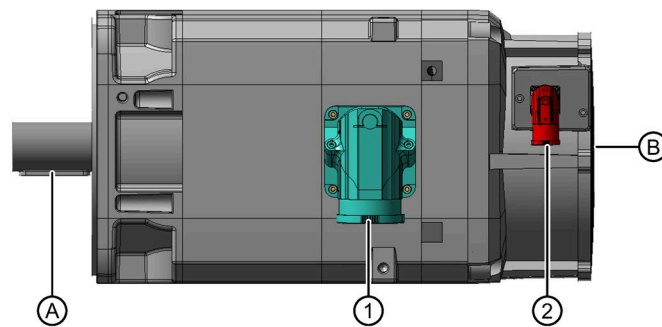
The outlet directions apply to naturally cooled and force-ventilated motors.

Table 5- 10 Fixed connectors for the motor and fan

Motor	Size of power connector	Size of fan connector
1FT7117 1)	M58	M23 2)
1FT713□		M23, rotatable

1) Applies only to 1FT7117 with Z option L06

2) Selectable outlet directions according to the table "Outlet directions of permanent fan connectors ③"



- A DE - Drive end 1 Power connector
The example shows selection of the power connector outlet direction on the 13th digit of the article number = 1.
- B NDE - Non drive end 3 Fan connector
The example shows Z option Q41.

Figure 5-2 Outlet direction of the fixed connectors

Table 5- 11 Outlet directions of permanent fan connectors ③, apply only to 1FT7117

Q41	Transverse to the right	Q43	Axial to NDE
Q42	Transverse to the left	Q44	Axial to DE

You can select the outlet direction as a Z option.

5.4.1.3 Routing cables in a damp environment

Note

If the motor is mounted in a humid environment, the power and signal cables must be routed as shown in the following figure.

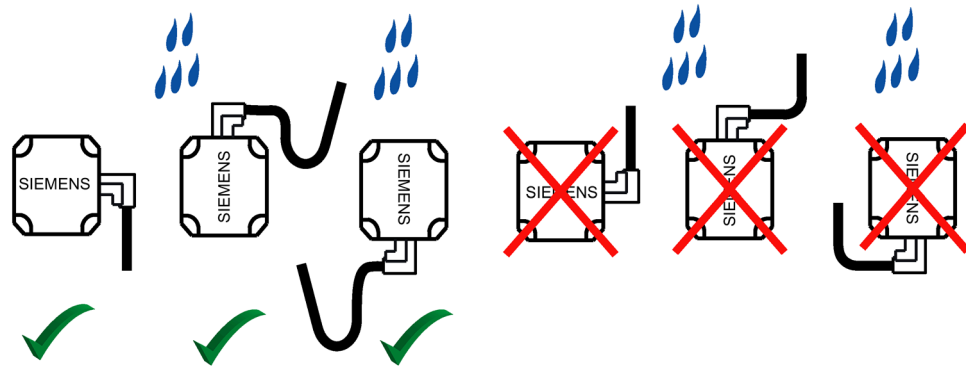


Figure 5-3 Routing cables in a damp environment

5.4.2 Connecting to a converter

NOTICE
Motor damage Motors with an EnDat2.2 encoder must only be operated with suitable non-Siemens converters. Operation with SINAMICS converters (via SMC40) is not permitted.

Selecting and connecting the cables

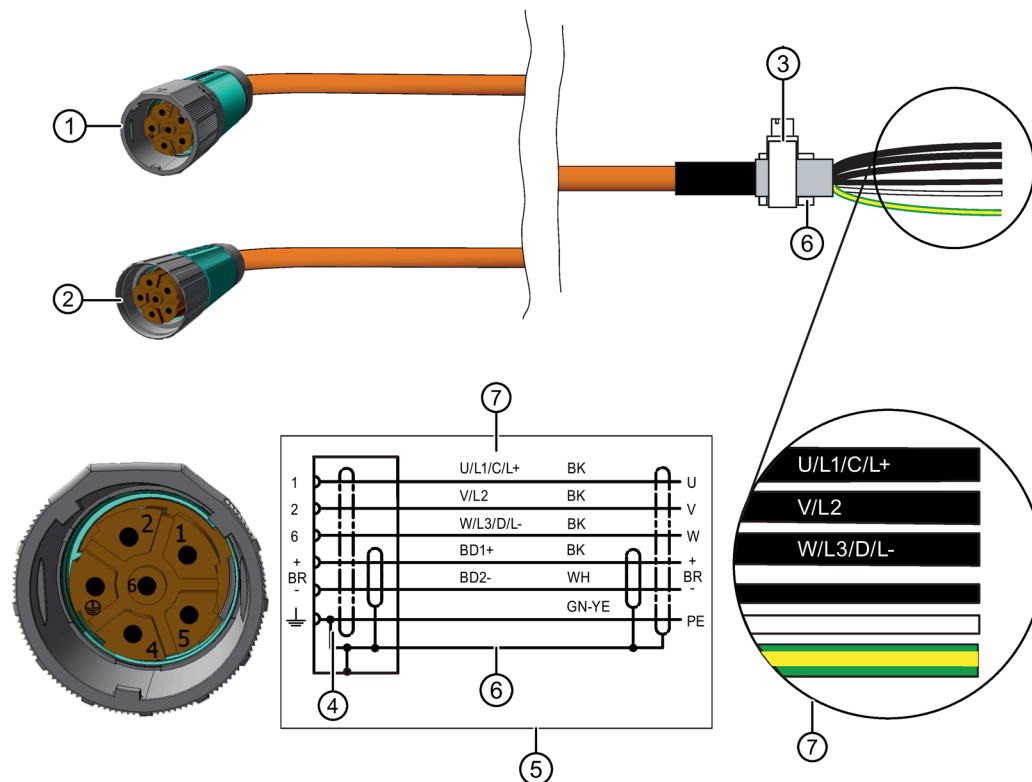
- To connect the motor to a converter, use MOTION-CONNECT cables or shielded connecting cables.

Note

The cable shielding, made up of as many strands as possible, must have a high electrical conductivity. Braided shields made of copper or aluminum are well suited.

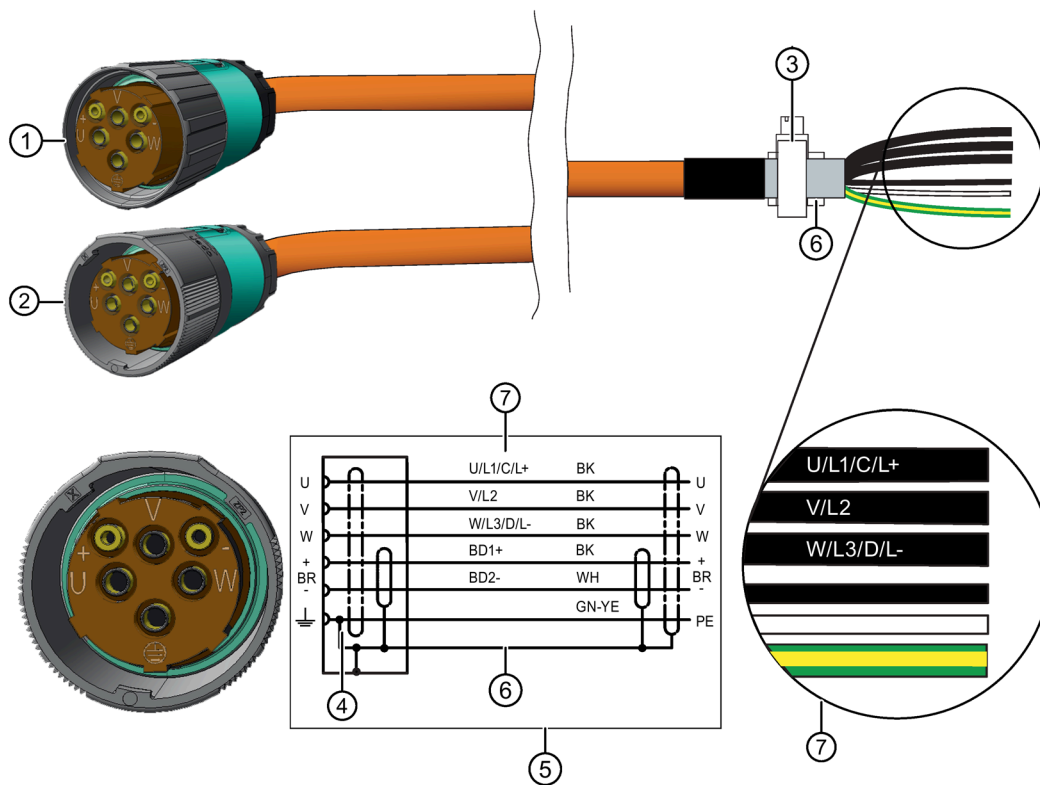
Connection diagram for the motor to the S120 Power Module and Motor Module Booksize and Compact with a MOTION-CONNECT cable

For connector size M23



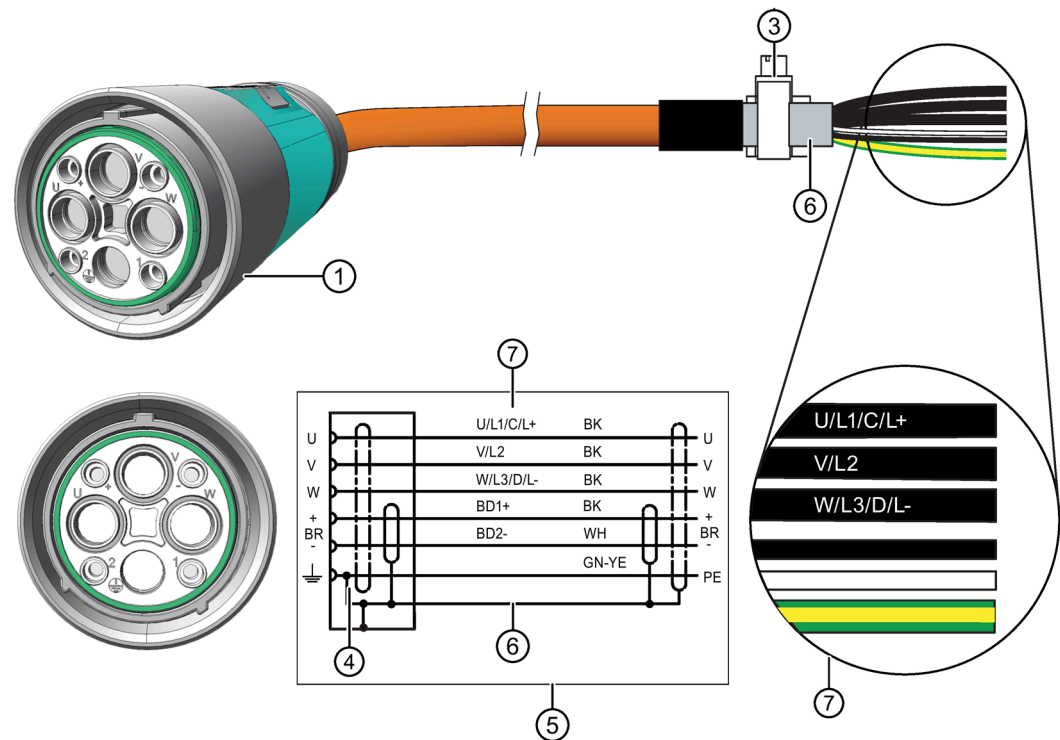
- 1 Connector size M23
- 2 Connector SPEED-CONNECT M23
- 3 Terminal for the cable shield
- 4 Pin assignment
- 5 Circuit diagram
- 6 Cable shield
- 7 Conductor designation:
 U, V, W = power cables, 1.5 mm², each cable separately shielded
 BD1+ and BD2- = brake cable without lettering, 1.5 mm², shared shield
 PE = protective conductor

For connector size M40



- 1 Connector size M40
- 2 Connector SPEED-CONNECT M40
- 3 Terminal for the cable shield
- 4 Pin assignment
- 5 Circuit diagram
- 6 Cable shield
- 7 Conductor designation:
 U; V; W = power cables, each cable separately shielded
 BD1+ and BD2- = brake cable without lettering, 1.5 mm², shared shield
 PE = protective conductor

For connector size M58



- 1 Connector size M58
- 2 n.a.
- 3 Terminal for the cable shield
- 4 Pin assignment
- 5 Circuit diagram
- 6 Cable shield
- 7 Conductor designation:
 U; V; W = power cables, each cable separately shielded
 BD1+ and BD2- = brake cable without lettering, 1.5 mm², shared shield
 PE = protective conductor

- Connect the shield at both ends at the motor and at the converter.
- Keep unshielded cable ends as short as possible.
- To ensure good conducting of high-frequency currents, provide contacting over a large surface area. Use EMC cable glands at the cable entries as 360° contacts on the converter, for example.

5.4.3 Connecting the forced ventilation

Connection notes

The fan connection is a size M23 power connector.

- Use only cables that comply with the installation regulations.
- Before connecting the device, make sure that the line voltage matches the device voltage.
- Check whether the data on the fan rating plate matches the connection data.
- Lay the connection cables without tensile stress.

NOTICE

Damage to the fan when inappropriately operated

As supplied, the external fan does not provide an independently functioning protection against improper operation (blocking protection). The device can become hot and start to burn.

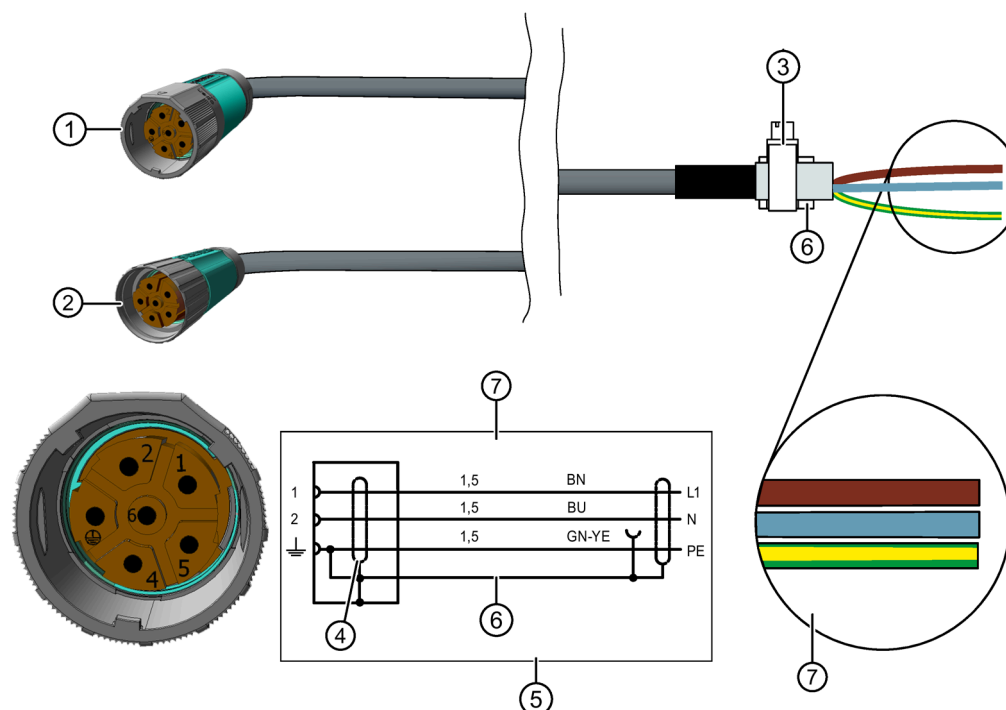
- Use blocking protection (stall protection) to protect the fan against inappropriate operation. To do this, use a suitable motor circuit breaker where all poles can be disconnected or an appropriate activation device for the PTC thermistor. Operate the fan using the motor circuit breaker.
- Provide a protective circuit that prevents the main motor from being switched on when the fan is not in operation.

Connection of a 1-phase separately driven fan

Table 5- 12 Connection values for a 1-phase separately driven fan for the 1FT7 up to frame size 100

Frame size	Max. current consumption at	
	230 V / 50 Hz (±10 %) in A	230 V / 60 Hz (±10 %) in A
63	0.12	0.12
80 to 100	0.40	0.40

Connection diagram



- 1 Connector size M23 (with full thread)
- 2 Connector SPEED-CONNECT size M23
- 3 Terminal for the cable shield
- 4 Pin assignment
- 5 Circuit diagram
- 6 Cable shield
- 7 Conductor designation:
Power cable, 1.5 mm²
PE = protective conductor, 1.5 mm²

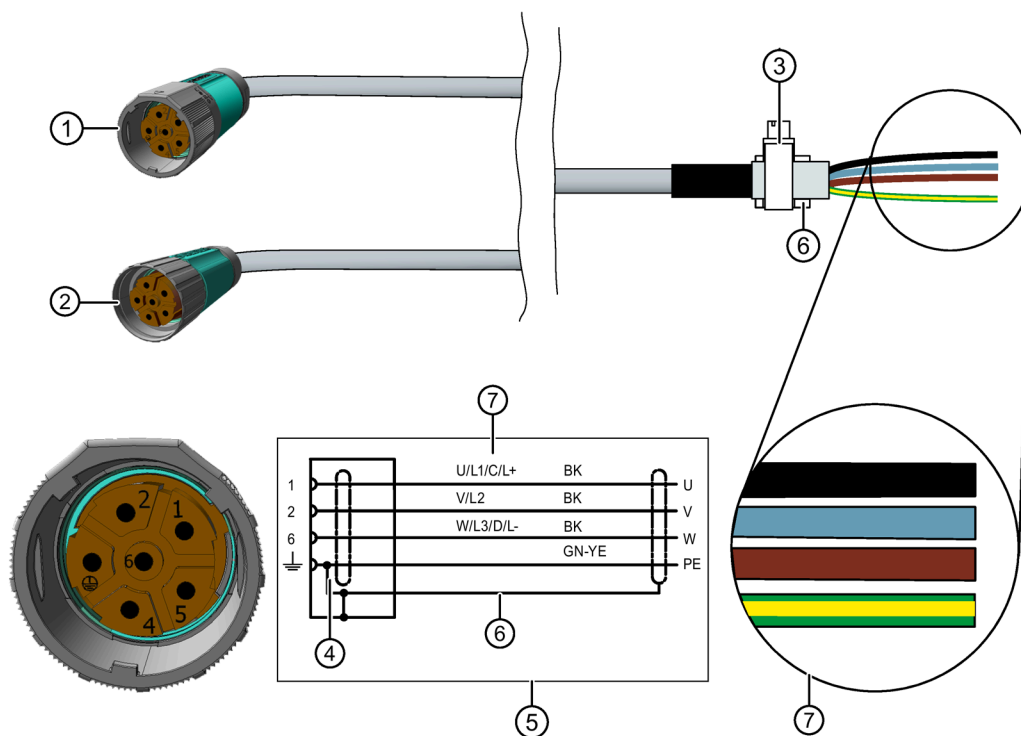
Figure 5-4 Connecting to a 1-phase separately driven fan

Connection of a 3-phase separately driven fan

Table 5- 13 Connection values for a 3-phase separately driven fan for a 1FT7 with frame size 132

Frame size	Max. current consumption at		
	400 V / 50 Hz (±10 %) in A	400 V / 60 Hz (±10 %) in A	480 V / 60 Hz (±10 %) in A
132	0.10	0.12	0.12

Connection diagram



- 1 Connector size M23 (with full thread)
- 2 Connector SPEED-CONNECT size M23
- 3 Terminal for the cable shield
- 4 Pin assignment
- 5 Circuit diagram
- 6 Cable shield
- 7 Conductor designation:
Power cable, 1.5 mm²
PE = protective conductor, 1.5 mm²

Figure 5-5 Connecting to a 3-phase separately driven fan, connector size M23

Table 5- 14 Order numbers

	Order number (article number)
Connector size M23 with full thread	6FX2003-0LU00
Connector size M23 with SPEED-CONNECT	6FX2003-0LU30
Prefabricated cable with full thread	6FX5001-5CG10-□□□□ ¹⁾
Prefabricated cable with SPEED-CONNECT	6FX5002-5CG10-□□□□ ¹⁾

¹⁾ The last 4 digits are the length code. You can find additional information in Catalog D 21.4 (2017), from page 12/7 onwards

Link to the Chapter D 21.4

<https://support.industry.siemens.com/cs/ww/de/view/109747019/en>

5.4.4 Connecting the holding brake

Direct connection

The holding brake in the motor is intended for direct connection to the SINAMICS converter using the MOTION CONNECT power cable with an integrated brake connection cable. See Chapter "Connecting to a converter (Page 84)"

Connection to external power supply

The holding brake can be operated via an external power supply.

The external power supply can be a PELV (PELV = Protective Extra Low Voltage) supply:

- if safe electrical isolation from the motor winding is guaranteed for the brake cable in the motor and
- if the power cable has a reinforced insulation.

Note

The relay K1, located between coil and contact, must also have reinforced insulation to protect the internal logic voltage.

If you control the holding brake via an external power supply, you must protect the holding brake from voltage peaks with a protective circuit. See figure "Suggested circuit for the external power supply"

The protective circuit also ensures the specified switching times. See table "Technical data for the the holding brake used" in the associated Configuration Manual.

To ensure reliable opening of the motor holding brake, it requires a 24 V ± 10% voltage supply at the motor connection.

It must be taken into account that voltage dips can occur along the supply cable.

- Use a Control Supply Module (CSM) or a regulated DC power supply, whose setpoint is set to 26 V.

5.4 System integration

- Use supply cables with a minimum cross-section of 1.5 mm² and a maximum length of 100 m.

If the maximum voltage of 24 VDC +10% is exceeded, the brake can re-close.

You can calculate the voltage drop ΔV for copper cables approximately as follows:

$$\Delta U [V] = 0.042 \times (l/q) \times I_{brake}$$

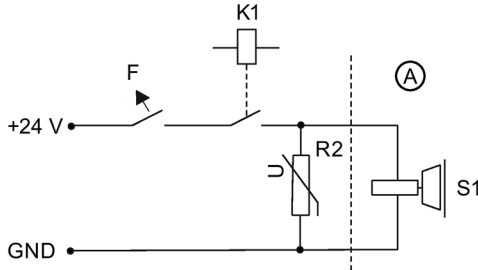
l = Cable length [m]

q = Brake core cross-section [mm²]

I_{brake} = Direct current of the brake [A]

Note

Integrate a protective circuit into the incoming cable. In this way, you avoid switching overvoltages and possible influence of the installation environment. See the figure below



- A Motor
- K1 Contactor
- F Circuit-breaker
- S1 Holding brake
- R2 Varistors

Figure 5-6 Suggested circuit for the external power supply with protective circuit

Table 5- 15 Example: Electrical components for the suggested circuit

Electrical component	Examples		
F	3RV10 circuit-breaker with current paths connected in series (if required with mounted auxiliary contact 3RV1901 to provide a feedback signal for the drive).	or	Miniature circuit-breaker 5SX21 (if required with mounted auxiliary contact to provide a feedback signal for the drive).
K1	Auxiliary contactor 3RH11	or	Contactors 3RT10
R2	Varistor SIOVS14K30 (EPCOS)		

5.4.5 Line connection

5.4.5.1 Terminal box versions

Power connection via terminal box

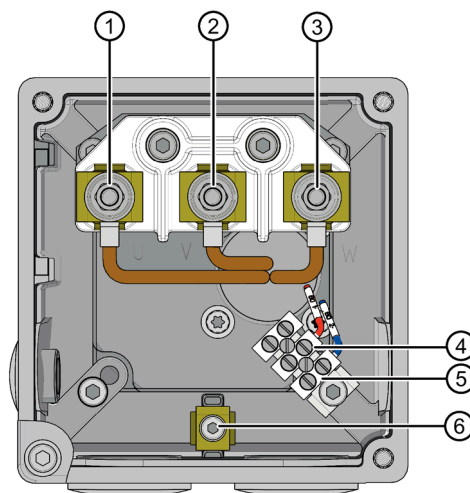
For electrical connection of the 1FT7, the following terminal boxes can be used for larger frame sizes:

GK 230	GK843
1FT7085	1FT7132
1FT7087	1FT7134
1FT7105	1FT7136
1FT7108	1FT7138

Information on connecting

- Use cable lugs according to DIN 46234 for connection.
- First connect the protective conductor.
- Perform the terminal assignment in the terminal box as shown in the figure.
- Connect the brake if there is one.

Terminal box connection diagram GK 230



- 1, 2, 3 Main terminals U, V, W
 4, 5 Brake connection (optional), 4 = BD1+, 5 = BD2-
 6 Ground connection

Figure 5-7 Terminal box GK 230

Table 5- 16 Connections for terminal box GK 230

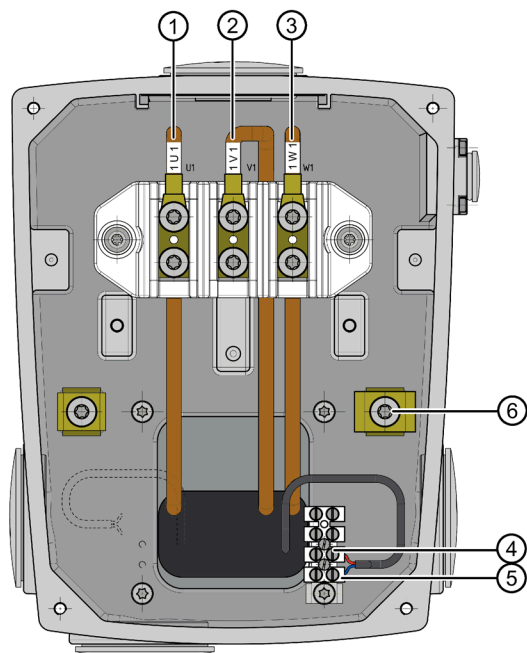
Terminal box type	GK 230
Cable entry	2 x M32.x.1.5 / 1 x M16 x 1.5
Max. outer cable diameter ¹⁾	30 mm
RMS current per terminal ²⁾	66 A
Number of main terminals U, V, W	3 x M5
Max. cross-section per terminal	1 x 16 mm ²
Ground connection	M4
Tightening torque [Nm]	0.8 - 1.2
Brake connection ³⁾	1.5 mm ²

1) Depends on the seal used

2) Data according to DIN EN 60204-1 (routing type C, ambient temperature 40°C)

3) BD1+/BD2- (terminal strip, only for versions with brake)

Terminal box connection diagram GK 843



1, 2, 3 Main terminals U, V, W

4, 5 Brake connection (optional), 4 = BD1+, 5 = BD2-

6 Ground connection

Figure 5-8 Terminal box GK 843

Table 5- 17 Connections for terminal box GK 843

Terminal box type	GK 843
Cable entry	3 x M50 x 1.5 / 1 x M16 x 1.5
Max. outer cable diameter ¹⁾	38 mm
RMS current per terminal ²⁾	125 A

Terminal box type	GK 843
Number of main terminals U, V, W	3 x M6
Max. cross-section per terminal	1 x 50 mm ²
Ground connection	M6
Tightening torque [Nm]	2.7 - 4
Brake connection ³⁾	1.5 mm ²

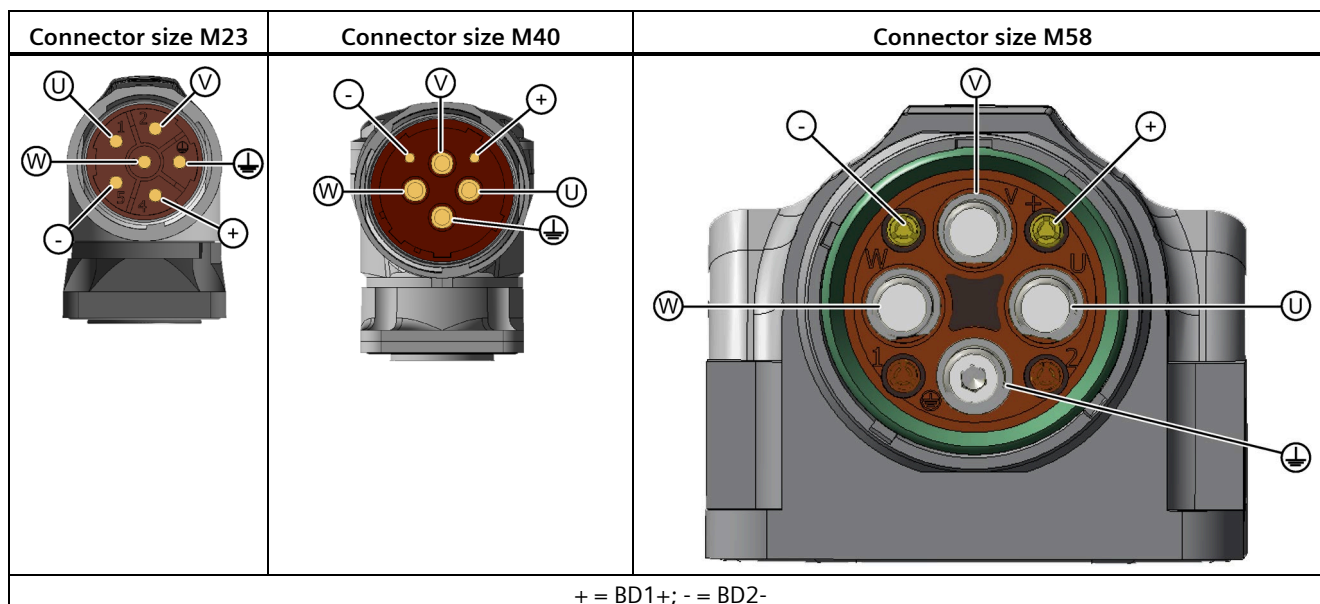
1) Depends on the seal used

2) Data according to DIN EN 60204-1 (routing type C, ambient temperature 40°C)

3) BD1+/BD2- (terminal strip, only for versions with brake)

5.4.5.2 Power connector version

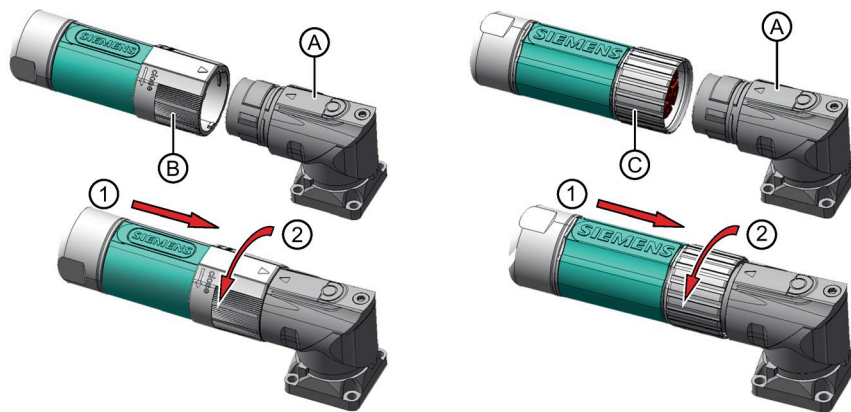
Designs of the motor connectors



The motors can be connected via a quick-release lock (SPEED-CONNECT).

The motor connectors are designed in such a way that both the quick-release lock cables with SPEED-CONNECT and the conventional cables with screw-type connection can be used.

Handling plug-in connections



- A Motor connector, suitable for SPEED-CONNECT and screw lock
- B Connector with SPEED-CONNECT
- C Connector with screw lock
- 1 Connect together
- 2 Lock or tighten by hand

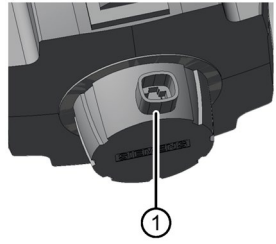
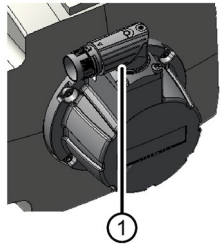
5.4.6 Signal connection

5.4.6.1 Motors with DRIVE-CLiQ interface

Motors designed for SINAMICS drive systems have an integrated encoder and temperature evaluation system as well as an electronic rating plate.

The motors are connected to the converter system via a DRIVE-CLiQ interface.

We recommend the following two variants for the DRIVE-CLiQ connection:

10-pin RJ45plus socket	Round connector M17
	
1 10-pin RJ45plus socket	1 round connector M17

Differences for connection with M 17 round connector compared with RJ45plus socket

The following differences compared with the RJ45 standard connector apply to motors with an M17 round connector:

- The motor is 5 mm longer and has the same overall length as the motor without a DRIVE-CLiQ interface.
- The connector is implemented as a rotatable angle plug.
- The height of the obstructing contour relative to the center of the motor is 82 mm.
- A non-standard signal line is required (DRIVE-CLiQ round connector M 17, IP67)

The DRIVE-CLiQ interface supplies the motor encoder with power via the integrated 24 VDC power supply. The DRIVE-CLiQ interface transfers the motor encoder and temperature signals and the electronic rating plate data, e.g. a unique identification number, rating data (voltage, current, torque) to the Control Unit.

Motors with a DRIVE-CLiQ interface can be connected to the associated Motor Module via a MOTION-CONNECT cable. The connection of the MOTION-CONNECT cable at the motor has degree of protection IP67.

NOTICE
Damage to electronic components as a result of electrostatic discharge
The Sensor Module has direct contact with electrostatic sensitive devices that can be damaged or destroyed by electrostatic discharge (ESD).
<ul style="list-style-type: none"> • Ensure the ESD protection measures are taken (see Equipment damage due to electric fields or electrostatic discharge (Page 16)). • Only grounded personnel with grounded tools may touch the component connections. • Heed the EMC information provided by the manufacturer of the converter.

The motor and the Motor Module are connected via a MOTION-CONNECT cable.

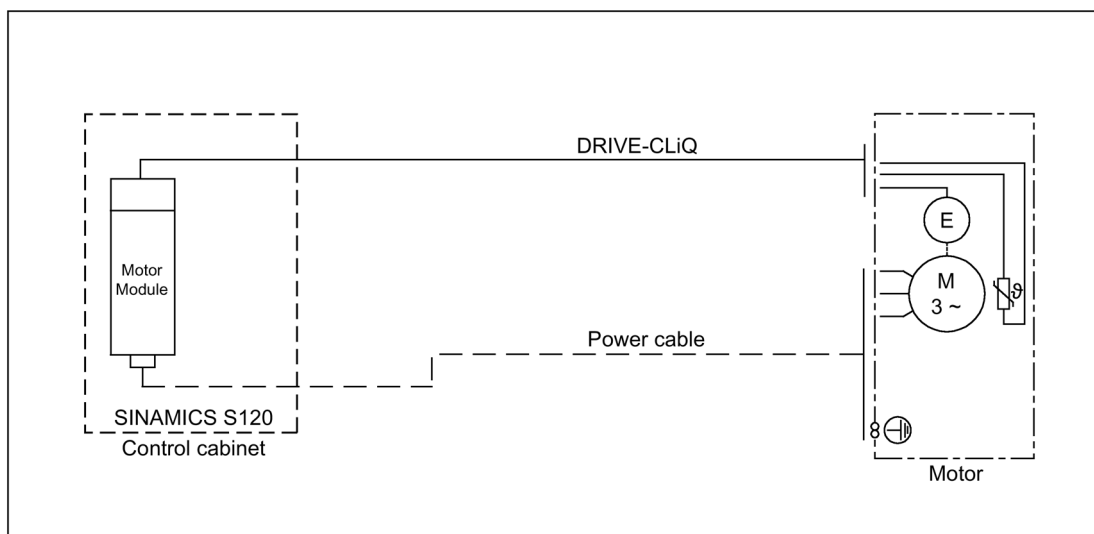
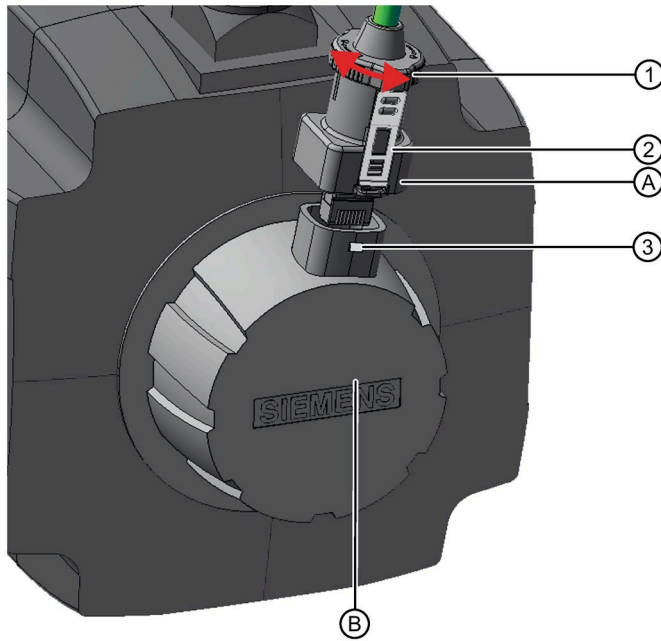


Figure 5-9 Encoder interface with DRIVE-CLiQ

5.4.6.2 Connecting the RJ45 DRIVE-CLiQ connector

Design of the DRIVE-CLiQ connection system with RJ45 connector

The DRIVE-CLiQ connection method with the RJ45 connector has the following components:



- A DRIVE-CLiQ connector with RJ45Plus
- B DRIVE-CLiQ socket with RJ45plus
- 1 Rotatable locking ring
- 2 Tabs (2, opposite each other)
- 3 Latches (2, opposite each other)

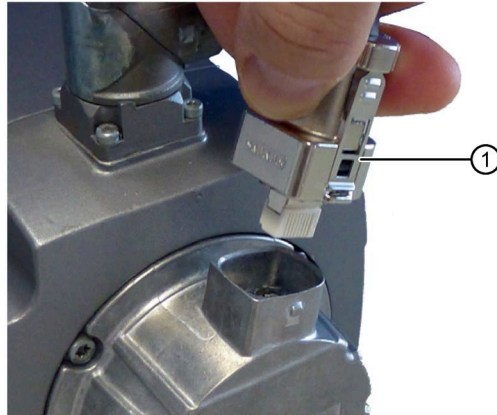
Insertion

Procedure

1. Check whether the locking ring of the connector is in the "locked" position.
If not, turn the locking ring clockwise into the "locked" position.

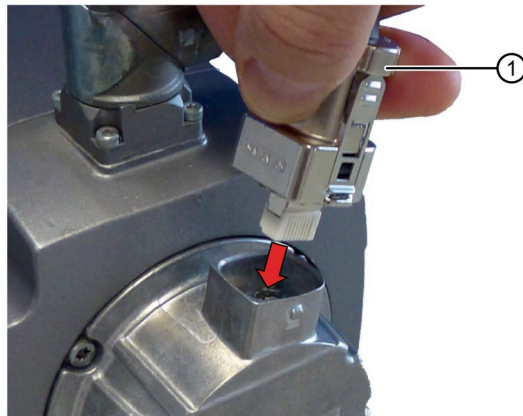
Note

In the "locked" position, the tabs are flush against the connector.



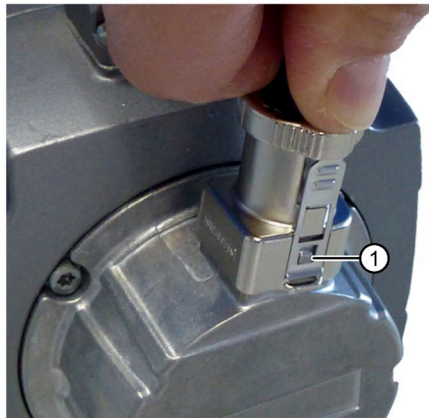
- 1 Locking ring in the "locked" position

2. Insert the connector into the RJ45 socket of the Sensor Module.

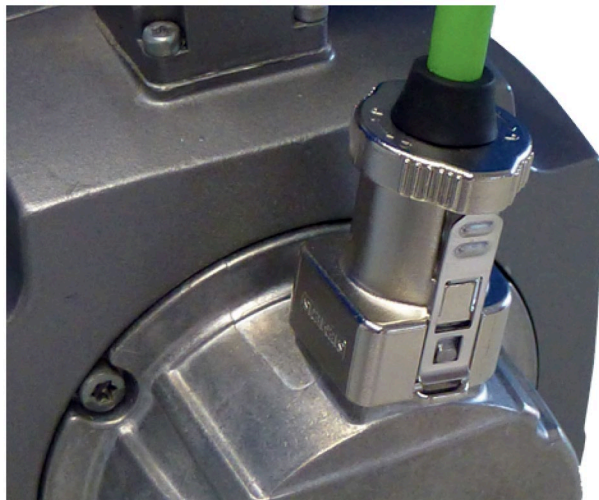


- 1 The locking ring remains in the "locked" position.

3. Check that the two tabs are engaged in both latches on the socket and that the connector cannot be pulled out.



1 Both tabs must engage in both latches.



The correct DRIVE-CLiQ connection is made when

- the locking ring is in the "locked" position,
- both tabs are engaged in both latches.

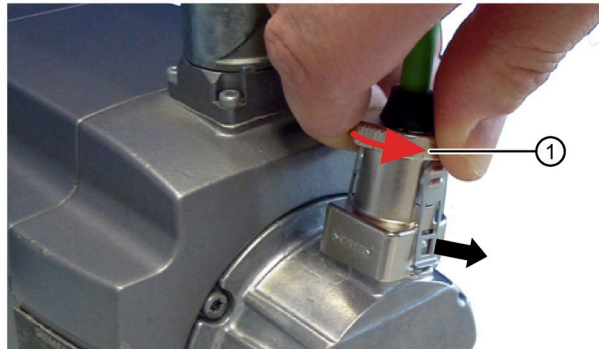
You have established a DRIVE-CLiQ connection.



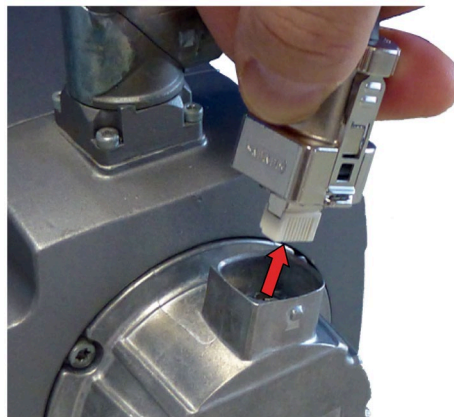
Removal

Procedure

1. Turn the locking ring of the connector counterclockwise into the "unlocked" position.



1. Turn the locking ring counterclockwise.
→ Both tabs are pressed away by the latches.
2. Check that the two tabs are disengaged from the latches.
3. Pull the connector out of the RJ45 socket of the Sensor Module.

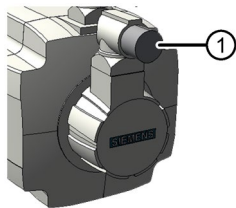


You have released the DRIVE-CLiQ connection.



5.4.6.3 Motors without a DRIVE-CLiQ interface

If a motor is not equipped with a DRIVE-CLiQ interface, the speed encoder and temperature sensor are connected via a signal connector.



1 Signal connector

Figure 5-10 Motor with a signal connector

Motors without DRIVE-CLiQ require a Sensor Module Cabinet (SMC) for operation with a SINAMICS S120 drive system. The motor is connected to the SMC via a signal cable. The SMC is connected to the motor via a MOTION-CONNECT cable.

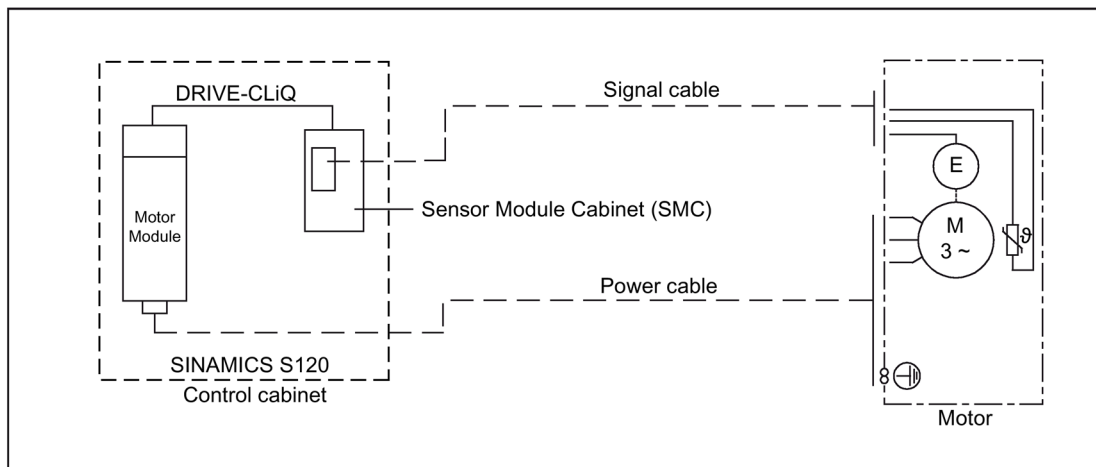
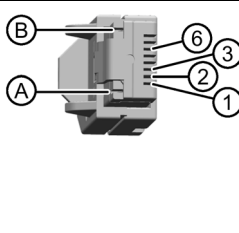
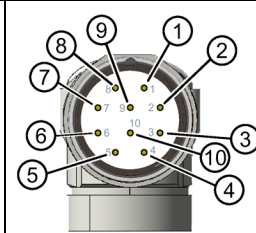
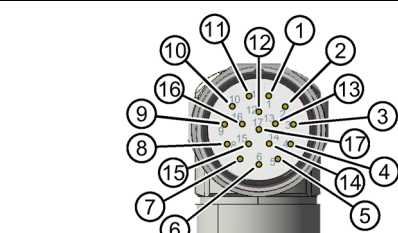
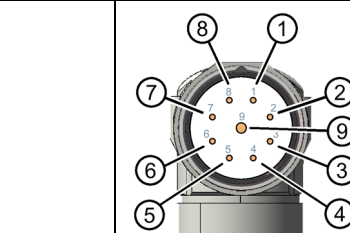


Figure 5-11 Encoder interface without DRIVE-CLiQ

5.4.6.4 Pin assignment of signal connectors

The table below shows the pin assignment of the signal connectors.

Signal evaluation with DRIVE-CLiQ		Signal evaluation without DRIVE-CLiQ		
Pin assignment, RJ45 signal connector, cable connector	Pin assignment, M17 signal connector, 10-pole, encoder connection	Pin assignment, M23 signal connector, 17-pole, encoder connection		Pin assignment, M23 signal connector, 9-pole, encoder connection
				
For DQI encoder with RJ45	DQI encoder with round connector M17	Incremental encoder sin/cos 1Vpp	Absolute encoder with EnDat 2.1	Absolute encoder with EnDat 2.2
1 = TX-P	1 = TX-P	1 = A	1 = A	1 = clock
2 = TX-N	2 = TX-N	2 = A*	2 = A*	2 = clock*
3 = RX-P	3 = not connected	3 = R	3 = data	3 = U _P
4 = not connected	4 = not connected	4 = D*	4 = not connected	4 = 0 V
5 = not connected	5 = RX-P	5 = C	5 = clock	5 = data
6 = RX-N	6 = RX-N	6 = C*	6 = not connected	6 = data*
7 = not connected	7 = not connected	7 = M encoder	7 = M encoder	7 = U _P sensor
8 = not connected	8 = not connected	8 = +1R1	8 = +1R1	8 = 0 V sensor
A = P 24 V	9 = P 24 V	9 = -1R2	9 = -1R2	9 = not connected
B = M 0 V	10 = M 0 V	10 = P encoder	10 = P encoder	
		11 = B	11 = B	
		12 = B*	12 = B*	
		13 = R*	13 = data*	
		14 = D	14 = clock*	
		15 = M sense	15 = M sense	
		16 = P sense	16 = P sense	
		17 = not connected	17 = not connected	

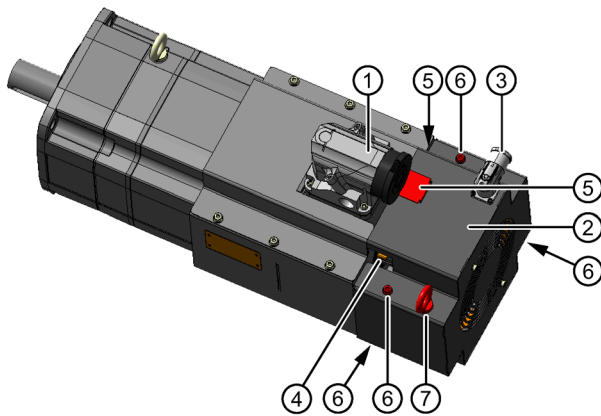
5.4.6.5 Connecting the signal line for a motor with forced ventilation

Connecting the signal line for a motor with forced ventilation up to frame size 100

Note the following information regarding connections:

- Use only cables that comply with the installation regulations.
- Signal lines must not be subjected to excessive tensile stress.

<p>⚠ CAUTION</p> <p>Danger of injury caused by the unintentional starting of the fan</p> <p>If the fan starts in the dismantled state, it can cause injuries.</p> <ul style="list-style-type: none"> • Disconnect the fan from the power supply before you dismantle it.

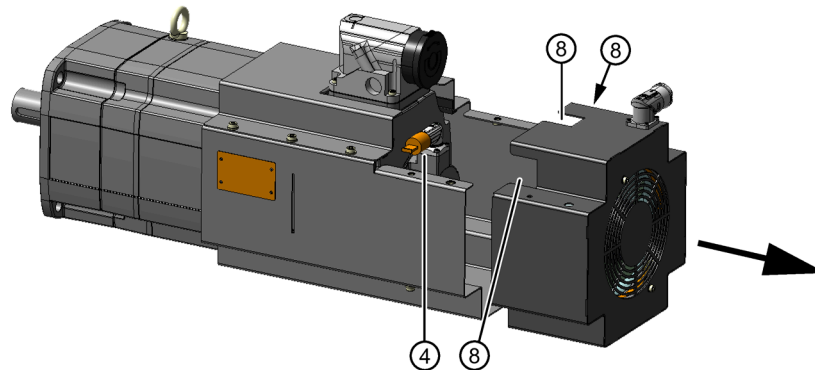


- 1 Motor power connector, e.g. size 3
- 2 Fan cover
- 3 Connection plug of the fan
- 4 Signal connector on the encoder
- 5 Sealing caps of the cable gland
- 6 4 hexagon socket-head screws with washer for fastening the fan cover
- 7 Lifting eyebolt

Figure 5-12 Forced ventilation parts

Connecting procedure

1. Remove the 4 screws (6) of the fan cover (2) and the lifting eyes (7).



- 4 Signal connector on the encoder
- 8 3 cable glands on the fan cover

2. Remove the fan cover (2).
 3. Align the signal connector (4), at 90° to the motor axis left or right.
 4. Connect the signal connector (4).
 5. Close the superfluous cable glands (8) with the sealing caps (5).
 6. Mount the fan cover (2) with the screws (6) (tightening torque 9 Nm). Secure all screw connections against unwanted loosening (e.g. with Loctite 243). Reattach any lifting eyes.
-

Connecting the signal line for a motor with forced ventilation and frame size 130

Note the following information regarding connections:

- Use only cables that comply with the installation regulations.
- Signal lines must not be subjected to excessive tensile stress.

CAUTION

Unintentional starting of the fan

If the fan starts in the dismantled state, it can cause injuries.

- Disconnect the fan from the line supply before you dismantle it.

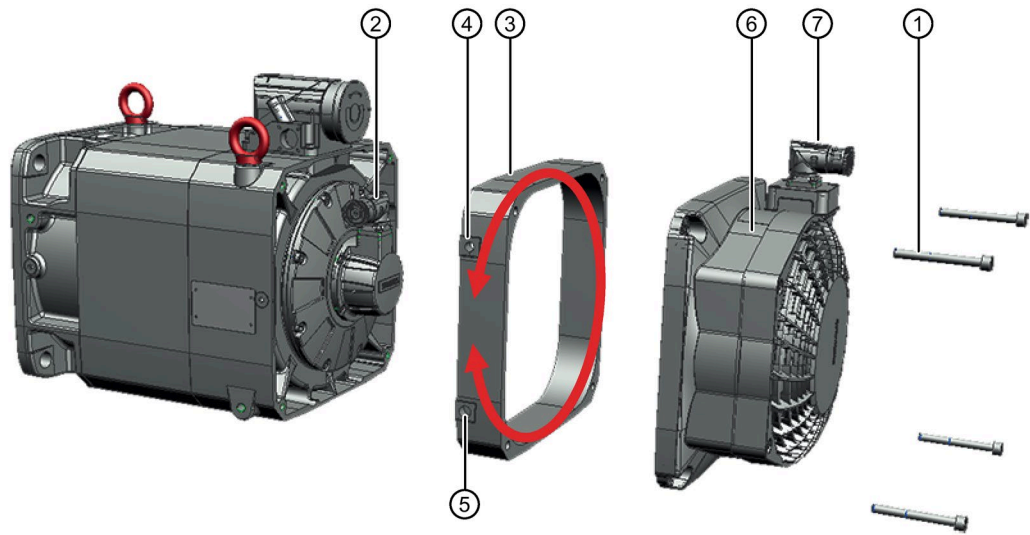
Note

Together with a second person, connect the signal connector.

Requirement

To dismantle the fan and the adapter flange, you require a minimum clearance of 65 mm.

Procedure



- 1 Four screws for fastening the adapter flange and the fan
- 2 Signal connector on the encoder
- 3 Adapter flange, each can be rotated through 90°.
- 4 Cable sleeve
- 5 Rubber seal (instead of a cable sleeve)
- 6 Fan
- 7 Fan connector

Figure 5-13 Connection of the signal connector to the external fan

1. Remove the two lower screws of the fan and the adapter flange.
2. Remove the two upper screws of the fan and the adapter flange. A second person holds the fan and the adapter flange when removing the fan.
3. Align the signal connector at 90° to the motor axis left or right (possible only for encoder code letter K, L, N and M).
4. Connect the signal line to the signal connector.
5. Remove the cable sleeve unit from the adapter flange.
6. Feed the signal line through the cable sleeve.

Note

Always attach the cable sleeve as mechanical protection.

7. Turn the adapter flange so that the signal line has the shortest path from the fan. The openings for the cable sleeves must point to the motor.

8. Push the signal line with the cable sleeve into the appropriate cutout on the adapter flange. Seal the other opening with the rubber seal.
9. Together with a second person, screw the adapter flange and the fan onto the motor housing. Tightening torque: 24 Nm
Secure the screw connection against autonomous loosening, e.g. with Loctite 243.

NOTICE**Damage to the line and the fan**

A signal line that is too long within the fan can damage the fan or the line itself.

- Route the signal line so it has the shortest path from the fan.
- Refrain from inserting an excessively long signal line into the fan subsequently.

⑪

Commissioning

6.1 Safety instructions



WARNING

Danger to life as a result of hazardous voltages when connected to inadequately grounded line supplies

Connecting a motor to an inadequately grounded line supply can result in death, severe injury and damage to the motor if a fault occurs.

- Connect motors, as part of the drive system, to TN and TT line supplies with a grounded neutral point or to IT line supplies.
- Ensure that the SINAMICS devices and motors are compatible with the residual current device according to EN 61800-5-1 before you connect the devices and motors to the line supply using residual current devices (RCDs).
- For line supplies with grounded line conductor, e.g. TT line supplies, use an isolating transformer with grounded neutral point (on the secondary side) between the line supply and the drive system, so that the motor insulation is not overstressed.
- When connected to IT line supplies, a monitoring device must signal the first fault between an active part and ground. Eliminate this fault immediately.



WARNING

Danger to life due to high touch voltages for brake cables

For motor cables with integrated brake cable, when the motor is operated, the motor can charge the brake cable up to hazardous voltage levels. Coming into contact with the conductors or the shield of the brake cable can result in death or serious injury.

- Use motor cables with separate, shielded brake cables and connect the shield of the brake cable at both ends.



! WARNING

Danger to life caused by dangerous voltage while testing the insulation resistance

During the measurement and immediately afterward, high voltages can be present at the terminals that can cause death or severe injury as result of an electric shock.

Contact with live parts causes electric shocks.

- Work on power installations must only be performed by qualified personnel.
- Before measuring the insulation resistance, read the manual for the insulation resistance meter you are going to use.
- Never touch the terminals when making measurements or immediately after the measurement.
- Check the connected supply feeder cables to ensure that the line supply voltage cannot be connected.



! WARNING

Danger to life due to unintentional starting of the drive unit

Unintentional starting of the drive unit can cause death or severe injury.

- Make sure that the drive unit cannot be started accidentally.
- Post a warning notice to this effect at the point where the switch is located.

! WARNING

Danger to life caused by machine movement and loose objects

Machine movement and loose objects that can fall out or be ejected can cause death or severe injury.

- Ensure that the machine has been completely installed and all of the setting work completed.
- Ensure that nobody is at risk when the machine is switched on.
- Before switching on, check that there are no loose objects in or on the motor that can fall or be flung off.
- Before switching on, check that all safety guard covers are installed and all safety equipment functions correctly.



! CAUTION

Burns as a result of touching hot surfaces

In operation, the motor enclosure can reach high temperatures, which can cause burns if touched.

- Do not touch any hot surfaces.
- Allow the motor to cool down before starting any work.
- Use the appropriate personnel protective equipment, e.g. gloves.

NOTICE

Thermal damage to temperature-sensitive parts

Some parts of the frame of electric motors can reach temperatures that exceed 100° C. If temperature-sensitive parts, e.g. electric cables or electronic components, come into contact with hot surfaces, these parts could be damaged.

- Ensure that no temperature-sensitive parts are in contact with hot surfaces.

NOTICE

Motor damage when the maximum speed is exceeded

The maximum speed n_{max} is the highest permissible operating speed. The maximum speed is specified on the rating plate.

Impermissible speeds can cause damage to the motor.

- Ensure that the maximum permissible speed is not exceeded. Realize this using a suitable control system or activate the speed monitoring function in the drive.

NOTICE

Motor damage caused by uneven running or abnormal noise

The motor can be damaged by improper handling during transport, storage or installation. If a damaged motor is operated, this can damage the winding or bearings and could even destroy the system.

- In case of uneven running or abnormal noise, switch off the motor.
- Identify the cause.

NOTICE

Premature wear of the motor holding brake when operated outside its permissible voltage range

Operating the motor holding brake outside its permissible voltage range at the motor connection will damage the brake.

- Ensure that the motor holding brake is only operated within its permissible voltage range.

6.2 Checklists for commissioning

Note

Required checks

The lists below do not purport to be complete. It may be necessary to perform additional checks and tests in accordance with the situation specific to the particular installation site.

Before commissioning the system, check that it is properly installed and connected.

Commission the drive system according to the operating instructions of the converter or inverter being used.

Checklists for commissioning 1FT7 motors

Thoroughly familiarize yourself with the safety instructions and observe the checklists below before starting any work.

Table 6-1 Checklist (1) - general checks

Check	OK
Are all of the necessary components of the configured drive line-up available, correctly dimensioned, installed and connected?	
Are the manufacturer's documentation for the system components (e.g. drive system, encoder, brake, cooling system) and the "SIMOTICS S-1FT7 servo motors" Configuration Manual available?	
If the 1FT7 motor is operated on the SINAMICS S120 drive system: Is the following, current SINAMICS documentation available? <ul style="list-style-type: none"> • SINAMICS S120 Commissioning Manual • Getting Started S120 • S120 Function Manual • S120/150 List Manual 	
If the 1FT7 motor is operated on the SINAMICS S120 drive system: Was the Chapter "Checklists for commissioning SINAMICS S" in the SINAMICS S120 Commissioning Manual carefully observed?	
Is the motor type to be commissioned known? (e.g. 1FT7 ____ - ____ - ____)	
Are the environmental conditions in the permissible range?	

Table 6- 2 Checklist (2) - checks regarding the mechanical system

Check	OK
Have all touch protection measures for moving and live parts been fitted and are they functional?	
Has the motor been correctly mounted and aligned?	
Can you rotate the rotor without it touching the stator?	
Have all fastening screws, fastening elements, and electrical connections been tightened with the prescribed torques and properly attached?	
Do the operating conditions correspond to the data specified on the rating plate?	
Do the output elements have the correct setting conditions according to type? Examples: <ul style="list-style-type: none"> • Have the couplings been aligned and balanced? • Has the belt drive tension been correctly adjusted? • Have the gear tooth flank and gear tooth tip play as well as radial play been correctly adjusted for geared outputs? 	

Table 6- 3 Checklist (3) - checks regarding the electrical system

Check	OK
Has the motor been connected so that it rotates in the specified direction?	
Have the minimum insulation resistance values been maintained?	
Have the grounding and equipotential bonding connections been correctly established?	
Is the specified limit speed n_{max} maintained during the operation on the converter?	

Table 6- 4 Checklist (4) - Monitoring equipment checks

Check	OK
Has it been ensured that speeds higher than the maximum speed n_{max} cannot be reached?	
Have all supplementary motor monitoring devices been correctly connected and are they working properly?	

Table 6- 5 Checklist (5) - Cooling system checks

Check	OK
<p>Water cooling</p> <p>Has the cooling water supply been connected and is it ready for operation? Is the cooling water circulating correctly? (flow rate, temperature)</p>	
<p>Forced ventilation</p> <p>Have you checked all safety-related and functionally relevant details? Examples:</p> <ul style="list-style-type: none"> • Have you compared the data of the external cooling unit with the connection data? Connect the external cooling unit only if the supply data does not result in an overload condition. • Has the forced ventilation unit, including accessories, been correctly installed, e.g. fitting of the protective conductor? • Are the mechanical installation and electrical installation of the safety-related components correct? This includes the installation of the motor circuit breaker and the fitting of protective grilles, for example. • Are the cable entry glands correctly fitted and tight? • Are the fan air intake and the area around the fan blades free of foreign bodies? • Is the fan rotation direction correct? An arrow is stamped on the fan rating plate. This arrow indicates the correct direction of rotation of the fan. An arrow is also marked on the fan blades. When the fan starts, you can check the direction of rotation using the arrows. The fan is functioning correctly if the direction of rotation of the blades matches the direction of the arrow on the fan rating plate. 	
Can the motor only be switched on when the fan is running?	

Table 6- 6 Checklist (6) - Checks regarding the optional brake

Check	OK
Is the brake open when the operating voltage is applied?	
Does the brake open and close correctly?	

6.3 Commissioning procedure

Switch-on

Procedure

1. Ensure that the frequency converter is correctly parameterized.
2. Commission the motor with an appropriate commissioning tool, e.g. "Drive ES" or "STARTER".
3. Follow the steps of the commissioning tool.



Switching off

- Switch off the motor at the frequency converter.

6.4 Switching on and switching off

Note

EMERGENCY OFF

To avoid accidents, inform yourself about the EMERGENCY OFF function before you switch on the system.

The motor is switched on and off using the frequency converter.

- For more information on this topic, see the chapter in the Operating Instructions for the converter.

Switching on

Precondition

- Ensure that the frequency converter is correctly parameterized.
- Check whether sufficient heat is dissipated from the motor.

Procedure

1. Switch on the motor at the frequency converter.
2. Observe any uneven running and abnormal noise of the motor.
3. Check the function of the safety equipment.
4. Check whether the motor reaches the required parameters


You have switched on the motor.





Switching off

- Switch off the motor at the frequency converter.

7.1 Safety instructions

 WARNING
Do not remove covers when the motor is running Rotating or live parts are dangerous. Death, serious injury, or material damage can result if the required covers are removed. All covers that prevent personnel from coming into contact with active or rotating parts, ensure compliance with the required degree of protection, or ensure proper air guidance and, in turn, effective cooling must not be opened/removed during operation.

 WARNING
Faults in operation Deviations from normal operation (e.g. increased power consumption, temperature, or vibration levels, unusual noises or smells, tripping of monitoring equipment, etc.) indicate that the machine is not functioning properly. This can cause faults that can result in eventual or immediate death, severe personal injury, or material damage. Immediately inform the maintenance personnel. If in doubt, shut down the motor immediately, taking into account the plant-specific safety regulations.

 CAUTION
Danger of burns The temperature of certain parts of the motor can exceed 100 °C. Physical contact can cause serious burns. Check the temperature of the parts before touching them and take appropriate protective measures if necessary.

7.2 Switching on and switching off

Note

EMERGENCY OFF

To avoid accidents, inform yourself about the EMERGENCY OFF function before you switch on the system.

The motor is switched on and off using the frequency converter.

- For more information on this topic, see the chapter in the Operating Instructions for the converter.

Switching on

Precondition

- Ensure that the frequency converter is correctly parameterized.
- Check whether sufficient heat is dissipated from the motor.

Procedure

1. Switch on the motor at the frequency converter.
2. Observe any uneven running and abnormal noise of the motor.
3. Check the function of the safety equipment.
4. Check whether the motor reaches the required parameters

You have switched on the motor.



Switching off

- Switch off the motor at the frequency converter.

7.3 During operation

Operation

While the motor is operating, ensure that the specified parameters are maintained.

Make sure that:

- The power consumption is in the specified range
- Cooling is ensured
 - With water cooling: Check the liquid level, inlet temperature of the coolant, and coolant circulation.
 - With forced ventilation: Check that the heat can dissipate freely.
- There is no abnormal motor noise
- The motor does not overheat
- If available, the sealing air intake functions

Note

Observe the maintenance intervals

Service the motor at the prescribed maintenance intervals. (see Chapter "Maintenance and inspection intervals (Page 126)")

7.4 Stoppages

On motors with water cooling:

- Shut off the coolant supply.

NOTICE
Damage due to improper storage
The motor can be damaged if it is not stored properly.
<ul style="list-style-type: none">• If the motor is not operational for longer periods of time, preserve it by means of anti-corrosion protection and ensure that it remains dry (e.g. appropriate drying agents).• When recommissioning the motor after it has been out of service for a longer period of time, carry out the measures recommended in Chapter "Commissioning".

- Store the motor according to the instructions in Chapter "Storage (Page 56)."
- Refer to Section "Commissioning (Page 109)" before recommissioning the motor.

Faults and their rectification

Note

Damage to the machine caused by faults

Correct the cause of the fault as specified in the remedial measures. Repair any damage to the machine/motor.

Note

When operating the motor with a converter, refer also to the Operating Instructions of the frequency converter if electrical faults occur.

If there are deviations from normal operation or if faults occur, initially proceed according to the following list. While doing so, observe the relevant chapters in the documentation associated with the components of the complete drive system.

Even in test operation, never disable protective functions or devices.

Table 8- 1 Possible faults

Fault	Cause of fault (see key table)																		
Motor does not start up	A	B																	
Motor starts up slowly	A		C	F															
Humming noise when starting			C	F															
Humming noise during operation	A		C	F															
Overheating during no-load operation				D	G	H	I												
Overheating when under load	A		C		G	H	I												
Overheating of individual winding sections				F															
Uneven running								J	K										
Grinding sound, running noise										L									
Radial vibrations											M	N	O	P			R		
Axial vibrations													O		Q	R			
Water is leaking																			S

Table 8- 2 Key to causes of faults and remedial measures

No.	Cause of fault	Remedial measures
A	Overload	Reduce load
B	Interruption of a phase in the supply cable / motor winding	Check the frequency converter and supply cables/measure the winding resistances and insulation resistances, repair after consultation with manufacturer
	Incorrect parameterization or adjustment of the encoder	Parameterize or adjust the drive correctly
C	Interruption of a phase in the supply cable after switching on	Check the frequency converter and supply cables, check the winding resistances
	Rotor partially demagnetized	Replace the motor
	Incorrect adjustment of the encoder	Adjust the encoder
D	Converter output voltage too high, frequency too low	Check the settings on the frequency converter, perform automatic motor identification
F	Winding short-circuit or phase short-circuit in stator winding	Measure the winding resistances and insulation resistances, repair after consultation with manufacturer
G	Cooling water not connected / switched off	Check cooling water connection, switch on cooling water
	Water connection/pipes defective	Locate leaks and seal as necessary, or consult the manufacturer
H	Cooling water flow rate too low	Increase cooling water flow rate
	Inlet temperature too high	Set correct inlet temperature
I	Heat dissipation impeded by deposits	Clean the surface of the drives and ensure that the cooling air can flow in and out unimpeded
	Cooling air inlet and/or outlet is blocked by foreign bodies	Remove the blockage and ensure that the cooling air can flow in and out unimpeded
	Fan motor does not start up	Make sure that the fan motor works properly
	Thermally insulated mounting	Do not mount the motor in a thermally insulated manner
	Gear unit not considered	Redimension the motor, adjust the parameters
J	Insufficient shielding for motor and/or encoder cable	Check the shielding and grounding
K	Drive controller gain too high	Adjust the controller
L	Rotating parts are grinding	Determine cause and adjust parts
	Foreign bodies in the motor	Send to manufacturer for repair
	Bearing damage	Send to manufacturer for repair
M	Rotor not balanced	Decouple rotor and rebalance
N	Rotor out of true, shaft bent	Consult the manufacturer
O	Poor alignment	Align motor unit, check coupling
P	Coupled machine not balanced	Re-balance coupled machine
Q	Shocks from coupled machine	Check coupled machine
R	Imbalance originating from gearing	Adjust/repair gearing
S	Cooling water pipes / water connection defective	Locate leaks and seal as necessary, or consult the manufacturer

If the fault still cannot be resolved after taking the measures stated above, please contact the manufacturer or the Siemens Service Center.

Maintenance

9.1 Safety instructions

If you have any questions, please contact the manufacturer, quoting the machine type and serial number.



WARNING

Danger to life when live parts are touched

Death or serious injury can result when live parts are touched.

- Only work on electrical equipment if you are appropriately qualified.
- Always comply with the local national safety regulations when working on electrical equipment.

Generally, six steps apply when establishing safety:

1. Prepare for shutdown and notify all those who will be affected by the procedure.
2. Disconnect the machine from the power supply.
 - Switch off the machine.
 - Wait until the discharge time specified on the warning labels has elapsed.
 - Check that it really de-energized, from phase to phase and phase to protective conductor.
 - Check that every auxiliary circuit is de-energized.
 - Ensure that the motors cannot move.
3. Secure SIMOTICS S motors against unintentional movements that generate a voltage at the terminals.
4. Identify all other dangerous energy sources, e.g. compressed air, hydraulic systems or water.
5. Isolate or neutralize all hazardous energy sources, for example by closing switches, grounding or short-circuiting, or closing valves.
6. Take measures to prevent reconnection of the energy sources.
7. Make sure that the machine is completely locked ... and that you have the right machine.

After you have completed the work, restore operational readiness by performing the above steps in the reverse order.

 **WARNING****Danger to life due to slipping on leaked oil**

Leaked oil can result in slipping or falling and cause death or severe injury.

- Prevent oil from leaking
- Absorb leaked oil immediately with a binding agent for oil or similar.
- Rough up the hazardous location.
- Mark the hazardous location.

 **WARNING****Danger to life due to unintentional starting of the drive unit**

Unintentional starting of the drive unit can cause death or severe injury.

- Make sure that the drive unit cannot be started accidentally.
- Post a warning notice to this effect at the point where the switch is located.

 **CAUTION****Burning hazard caused by hot surfaces**

Some parts of the frame of electrical machines can reach temperatures in excess of 100°C. Touching components when the machine is in operation can cause burns.

- Do not touch frame parts while the machine is in operation or immediately after machine operation.
- Allow frame parts to cool off before starting any work.

 **CAUTION****Danger of scalding from the hot oil exiting the unit**

Exiting hot oil can cause burns.

- Before starting any work, wait until the oil has cooled down to below 30° C.

 **CAUTION****Chemical burns and irritations caused by chemical cleaning agents**

Chemical cleaning agents can be caustic or emit dangerous fumes. If these come into contact with skin or if you inhale the fumes, this can cause injuries (e.g. chemical burns on the skin or respiratory passages, or skin irritation).

- During cleaning, make sure that appropriate methods of extracting fumes are in place and that you wear the appropriate protective gear (e.g. gloves, goggles, face masks).
- If using chemical cleaning agents, observe the instructions and any warnings provided in the relevant safety data sheet. Chemical cleaning agents must be suitable for use with the machine's components, particularly where plastic components are concerned.

 **CAUTION****Injuries caused by stirred-up foreign bodies and dust when working with compressed air**

When you clean using compressed air, this can stir up dust, metal chips and cleaning agents, and so cause injuries.

- When cleaning using compressed air, make sure you use suitable extraction equipment and wear protective equipment (safety goggles, protective suit, etc.).

 **WARNING****Danger to life when lifting and transporting**

Incorrect lifting and transport operations, devices and equipment that are unsuitable or damaged can result in death, severe injury and/or damage to property.

- Lifting devices, ground conveyors, and load suspension equipment must comply with requirements.
- The maximum capacity of the lifting equipment and the load suspension device must correspond to the weight of the motor (see the rating plate).
- Do not attach any additional loads to the lifting equipment.
- To hoist the motor, use suitable cable-guidance or spreading equipment, particularly if the motor is equipped with built-on assemblies.
- The motor must not be lifted or transported by means of the power connector or signal connector.
- Do not stand in the slewing range of hoisting gear or under suspended loads.

 **WARNING****Danger to life through incorrect or unused lifting points**

Due to incorrect or unused lifting points, the motor can fall and cause death, severe injury and/or damage to property.

- Lift and transport large motors using the eyebolts screwed on to the end shields.
- Completely screw in the eyebolts and tighten by hand (approx. 8 Nm).
- Do not use bent or damaged eyebolts.
- Only use eyebolts with laminated fiber washers.
- Loads applied transversely to the plane of the eyebolts are not permitted.

 **WARNING****Danger of injury due to suspended loads**

While being transported, the motor can cause injury by moving.

- Only use perfectly functioning hoisting and load suspension equipment dimensioned to carry the motor load.
- Do not stand under suspended loads or in their slewing range.
- When placing down the motor, ensure that it cannot roll.

9.2 Inspection and maintenance

9.2.1 Maintenance and inspection intervals

General

Carry out maintenance work, inspections and revisions at regular intervals in order to be able to identify faults at an early stage and remove them.

Note

Inspection if there are faults or unusual conditions

Unusual conditions or faults that represent overstressing of the motor, e.g. overload or short-circuit, can result in consequential damage to the machine.

Immediately perform an inspection when faults or exceptional conditions occur.

Maintenance measures, inspection/maintenance times intervals

The maintenance intervals depend on the operating conditions.

- Adapt the maintenance intervals to match the local conditions, such as pollution/dirt, switching frequency, load, etc.
- Perform the following maintenance measures as specified in the table.

Maintenance and repair of the motor can be performed by Siemens Service Centers throughout the world.

Contact your personal Siemens contact if you require this service.

NOTICE
Improper maintenance
Service and maintenance must only be performed by properly authorized qualified personnel.
Only use original SIEMENS parts.

Table 9- 1 Maintenance measures after operating times or intervals

Operating times and intervals	Measure
Operation	
Daily; if possible, more frequently during operation.	Monitor and check the motor for unusual noise, vibrations, and changes.
After approx. 10,000 operating hours, at the latest after two years	If oil-lubricated, replace the radial shaft seal rings
As required, or after 25,000 operating hours	Replace the motor bearings

9.2.2 Cleaning

 **WARNING**
Danger to life when cleaning due to failure to observe the protection class

When cleaning, especially with high-pressure cleaning equipment, water can enter energized parts and cause an electric shock.

- Clean the motor in a manner appropriate for its protection class.
- Avoid pressurized water on connectors, terminal boxes, and other live parts.


 **CAUTION**
Burning hazard caused by hot surfaces

Some parts of the frame of electrical machines can reach temperatures in excess of 100° C. Touching components when the machine is in operation can cause burns.

- Do not touch frame parts while the machine is in operation or immediately after machine operation.
- Allow frame parts to cool off before starting any work.


 **CAUTION**
Chemical burns and irritations caused by chemical cleaning agents

Chemical cleaning agents can be caustic or emit dangerous fumes. If these come into contact with skin or if you inhale the fumes, this can cause injuries, e.g. chemical burns on the skin or respiratory passages, or skin irritation.

- During cleaning, make sure that appropriate methods of extracting fumes are in place and that you wear the appropriate protective gear (e.g. gloves, goggles, face masks).
- If using chemical cleaning agents, observe the instructions and any warnings provided in the relevant safety data sheet. Chemical cleaning agents must be suitable for use with the machine's components, particularly where plastic components are concerned.

Clean the motor of dust and dirt as required. In this way, you ensure adequate heat dissipation.

Cleaning motors with option N16 or N40

Clean the motor in accordance with the cleaning recommendation in the appendix. (see ECOLAB cleaning recommendation (Page 142))

9.2.3 Bearing replacement interval

The bearings are subject to wear and must be replaced after a defined number of operating hours.

For average load levels, the bearings must be replaced after approx. 25,000 hours.

Note

When replacing the motor bearings, always replace the encoder as well. For more information on encoder replacement, see Service manual replacing an encoder (<https://support.industry.siemens.com/cs/document/99457853/encoder-replacement-in-1fk7-g2-and-1ft7?dti=0&dl=en&pnid=13308&lc=de-WW>).

Bearing replacement intervals can be extended if the motor is operated under favorable conditions, e.g. low average speeds, low radial forces (cantilever forces), vibration load.

Note

Harsh operating conditions

If the motor is subject to harsh operating conditions (e.g. continuous operation at n_{max} , high vibration/shock loads, frequent reversing duty etc.), the bearing replacement intervals t_{LW} can decrease by up to 50%.

9.3 Repair

The Siemens Service Center Bad Neustadt and other regional service sites throughout the world can handle or organize the maintenance/repair of the motors.

Contact your regional Siemens contact if you require this service.

Note regarding encoder replacement

You can replace a defective encoder.

The procedure for replacing an encoder is described in Service manual replacing an encoder (<https://support.industry.siemens.com/cs/document/99457853/encoder-replacement-in-1fk7-g2-and-1ft7?dti=0&dl=en&pnid=13308&lc=de-WW>).

Decommissioning and disposal

10.1 Safety instructions

Removing the motor from the machine

**! WARNING****Danger to life when live parts are touched**

Death or serious injury can result when live parts are touched.

- Only work on electrical equipment if you are appropriately qualified.
- Always comply with the local national safety regulations when working on electrical equipment.

Generally, six steps apply when establishing safety:

1. Prepare for shutdown and notify all those who will be affected by the procedure.
2. Disconnect the machine from the power supply.
 - Switch off the machine.
 - Wait until the discharge time specified on the warning labels has elapsed.
 - Check that it really de-energized, from phase to phase and phase to protective conductor.
 - Check that every auxiliary circuit is de-energized.
 - Ensure that the motors cannot move.
3. Secure SIMOTICS S motors against unintentional movements that generate a voltage at the terminals.
4. Identify all other dangerous energy sources, e.g. compressed air, hydraulic systems or water.
5. Isolate or neutralize all hazardous energy sources, for example by closing switches, grounding or short-circuiting, or closing valves.
6. Take measures to prevent reconnection of the energy sources.
7. Make sure that the machine is completely locked ... and that you have the right machine.

After you have completed the work, restore operational readiness by performing the above steps in the reverse order.

 **WARNING**

Danger to life due to slipping on leaked oil

Leaked oil can result in slipping or falling and cause death or severe injury.

- Prevent oil from leaking
- Absorb leaked oil immediately with a binding agent for oil or similar.
- Rough up the hazardous location.
- Mark the hazardous location.



 **CAUTION**

Burning hazard caused by hot surfaces

Some parts of the frame of electrical machines can reach temperatures in excess of 100° C. Touching components when the machine is in operation can cause burns.

- Do not touch frame parts while the machine is in operation or immediately after machine operation.
- Allow frame parts to cool off before starting any work.

 **CAUTION**

Danger of scalding from the hot oil exiting the unit

Exiting hot oil can cause burns.

- Before starting any work, wait until the oil has cooled down to below 30° C.



 **CAUTION**

Chemical burns and irritations caused by chemical cleaning agents

Chemical cleaning agents can be caustic or emit dangerous fumes. If these come into contact with skin or if you inhale the fumes, this can cause injuries, e.g. chemical burns on the skin or respiratory passages, or skin irritation.

- During cleaning, make sure that appropriate methods of extracting fumes are in place and that you wear the appropriate protective gear (e.g. gloves, goggles, face masks).
- If using chemical cleaning agents, observe the instructions and any warnings provided in the relevant safety data sheet. Chemical cleaning agents must be suitable for use with the machine's components, particularly where plastic components are concerned.

 **WARNING**

Danger to life caused by falling machine parts

The machine partially comprises heavy individual components. When removing the machine, these components can fall. This can result in death, serious injury or material damage.

- Secure the machine components that are being released so that they cannot fall.

**! WARNING****Injury as a result of suspended loads**

When being dismantled and transported, the motor can cause injury as a result of its movement.

- Only use perfectly functioning hoisting and load suspension equipment dimensioned to carry the motor load.
- Pay careful attention to possible movement when the motor is released.
- Do not stand under suspended loads or in their slewing range.
- When placing down the motor, ensure that it cannot roll.

**! CAUTION****Injuries caused by liquids when draining and environmental pollution**

When draining, liquids can cause injuries, such as burns, chemical burns, irritation. Spilt oil can make floor surfaces slippery and pollute the environment.

- Allow the liquid to cool down.
- Use a sufficiently large collection container.
- Avoid liquids coming into contact with the skin. Wear suitable personnel protection equipment, e.g. protective eyewear, gloves.
- Have materials on hand to soak up leaked liquids and prevent areas from being slippery.

Dismantling the motor

Note

The rotor in a motor containing permanent magnets must only be removed by the manufacturer.

- Contact the Siemens Service Center.

10.2 Decommissioning

10.2.1 Preparing for dismantling

Removing the motor must be performed and/or supervised by qualified personnel with appropriate expert knowledge.

Removing the motor from the machine

Procedure

1. Disconnect all electrical connections.
2. Remove all liquids such as oil, water.
3. Remove all supply lines.
4. Remove the fixing elements from the motor.
5. Transport the motor to a suitable location for storage and dismantling.

You have removed the motor.



10.2.2 Disassembling the motor

Note

The rotor in a motor containing permanent magnets must only be removed by the manufacturer.

Contact the Siemens Service Center.

10.3 Disposal

Recycling and disposal



For environmentally-friendly recycling and disposal of your old device, please contact a company certified for the disposal of waste electrical and electronic equipment, and dispose of the old device as prescribed in the respective country of use.

Technical data

You will find the technical data for the various frame sizes of the motors in the configuration manual in Chapter "Technical data and characteristics".

Glossary

Rated torque M_N

Thermally permissible continuous torque in S1 duty at the rated motor speed.

Rated speed n_N

The characteristic speed range for the motor is defined in the speed-torque diagram by the rated speed.

Rated current I_N

RMS motor phase current for generating the particular rated torque. Specification of the RMS value of a sinusoidal current.

DE

Drive end = Drive end of the motor

Torque constant k_T (value for a 100 K average winding temperature rise)

Quotient obtained from the static torque and stall current.

Calculation: $k_T = M_{0, 100\text{ K}} / I_{0, 100\text{ K}}$
 The constant applies up to approx. $2 \cdot M_{0, 60\text{ K}}$ in the case of self-cooled motors

Note

This constant is not applicable when configuring the necessary rated and acceleration currents (motor losses!).

The steady-state load and the frictional torques must also be included in the calculation.

Maximum permissible speed (mechanical) n_{\max} .

The maximum mechanically permissible speed is $n_{\max \text{ mech}}$. It is defined by the centrifugal forces and frictional forces in the bearing.

NDE

Non-drive end = Non-drive end of the motor

Number of poles $2p$

Number of magnetic north and south poles on the rotor. p is the number of pole pairs.

Static torque M_0

Thermal limit torque at motor standstill corresponding to a utilization according to 100 K or 60 K. This can be output for an unlimited time when $n = 0$ rpm. M_0 is always greater than the rated torque M_N .

Stall current I_0

Motor phase current to generate the particular stall torque ($M_0 = k_T \cdot I_0$). Specification of the RMS value of a sinusoidal current.

Winding resistance R_{str} at 20° C winding temperature

The resistance of a phase at a winding temperature of 20° C is specified. The winding is in a star connection.

Appendix

A

A.1 Certificate for the "PS Premium" painting system from ECOLAB

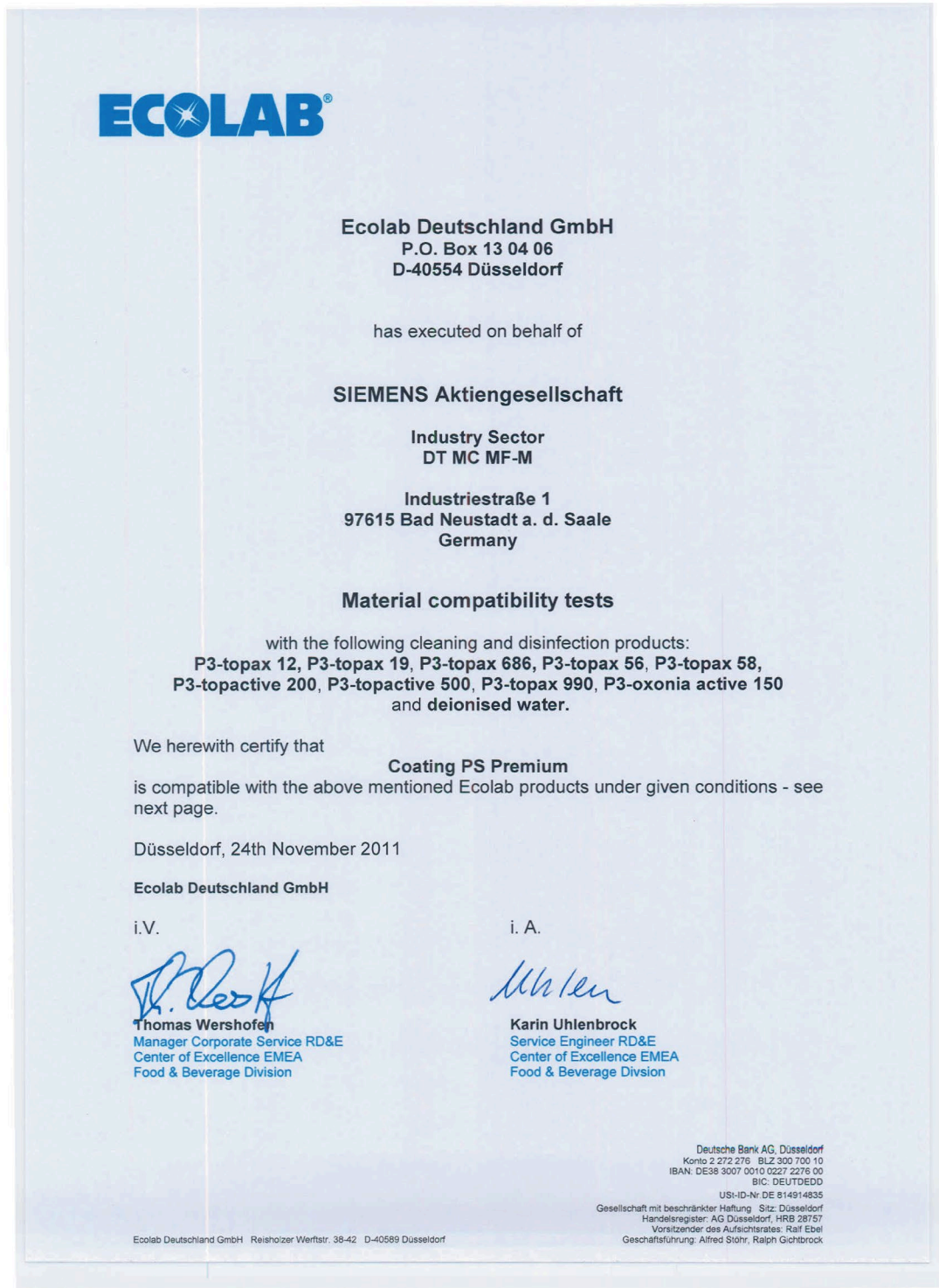


Figure A-1 Certificate_option_N16_page 1

A.1 Certificate for the "PS Premium" painting system from ECOLAB

ECOLAB®

The certificate for the coating PS Premium based on:

- documented test procedure for material compatibility
- defined product specification
- a standardized cleaning plan

Test procedure

Soaking test:

- Partly soaked into test mediums

Test time :

- 7 days

Test contents:

- pH-value of solutions: 1,5 – 13,0
- Ingredients:
e.g. caustic, phosphoric acid, peroxyacetic acid,
hydrogen peroxide, sodium hypochlorite, alkyl amine acetate

Evaluation:

- Estimation after appr. 7 days regeneration
- Estimation of degradation of coatings according to DIN EN ISO 4628-1 and estimation of decorative changing (colour and gloss level)
- Key
(+) no changing
(o) minor changing possible, decorative nature only
(-) changing possible by long term use

The coating PS Premium was tested with the following products:

Alkaline and chlorinated alkaline foam cleaning products			
P3-topax 12	3%	40°C	+
P3-topax 19	5%	40°C	o
P3-topax 686	5%	40°C	+

TFC-cleaner			
P3-topactive 200	4%	40°C	+
P3-topactive 500	4%	40°C	+

Acidic foam cleaning products			
P3-topax 56	5%	40°C	+
P3-topax 58	5%	40°C	+

Disinfection products			
P3-topax 990	5%	23°C	o
P3-oxonia active 150	1%	23°C	+

DI-water			
	-	40°C	+

Product specification:

P3-topax 12
Mild alkaline foam cleaning product

P3-topax 19
Alkaline foam cleaning product

P3-topax 686
Chlorinated alkaline foam cleaning product

P3-topax 56
Foam cleaning product based on phosphoric acid

P3-topax 58
Foam cleaning product based on organic acids

P3-topactive 200
Alkaline thin film cleaner

P3-topactive 500
Acidic thin film cleaner

P3-topax 990
Foam disinfection product based on alkyl amine acetate

P3-oxonia active 150
Disinfection product based on peroxyacetic acid and hydrogen peroxide


DI-water
Deionised water

Deutsche Bank AG, Düsseldorf
Konto 2 272 276 BLZ 300 700 10
IBAN: DE38 3007 0010 0227 2276 00
BIC: DEUTDE33
USI-ID-Nr: DE 814914835
Gesellschaft mit beschränkter Haftung Sitz: Düsseldorf
Handelsregister: AG Düsseldorf, HRB 26757
Vorstand: Alfred Stöhr, Ralph Gichtbrock
Geschäftsführung: Alfred Stöhr, Ralph Gichtbrock

Ecolab Deutschland GmbH Reisholzer Werfstr. 38-42 D-40589 Düsseldorf

Figure A-2 Certificate_option_N16_page 2

A.2 ECOLAB cleaning recommendation



“Cleaning Recommendation“
 SIEMENS AG, Industry Sector, DT MC MF-M
 Coating PS Premium

Cleaning & Disinfection

EUROPE

<u>Application:</u> Foam / TFC Cleaning and disinfection	<u>Typical residues:</u> Organic and inorganic residues
<u>Specific application area:</u> Removal of residues of the Food & Beverage Industry	<u>General information:</u> Coating PS Premium for servomotors
<u>Cleaning frequency:</u> tbd	

Cleaning Procedure & Chemicals	%	°C	min.	Notes
<div style="display: flex; align-items: center;"> <div> <p>Pre-rinse</p> <p>Water</p> </div> </div>	-	40-50	tbd	Low pressure pre-rinse with water to remove rough residues.
<div style="display: flex; align-items: center;"> <div> <p>Foam Cleaning /Thin Film Cleaning</p> <p>P3-topax or P3-topactive</p> </div> </div>	1-5	20-40	10 - 30	Concentration, application time and application temperature depends on foam cleaning product and TFC-product as well. For product application please see also the information from the product data sheet
<div style="display: flex; align-items: center;"> <div> <p>Intermediate Rinse</p> <p>Water</p> </div> </div>	-	40-50	tbd	Use water of drinking quality. Low pressure rinse thoroughly with fresh water of drinking quality until all product residues are removed.
<div style="display: flex; align-items: center;"> <div> <p>Foam Disinfection /Thin Film Disinfection</p> <p>P3-topax or P3-topactive...</p> </div> </div>	1-3	RT	10-30	Concentration, application time and application temperature depends on foam disinfection product and TFC-product as well. Use biocides safely. Always read the label and product information before use.
<div style="display: flex; align-items: center;"> <div> <p>Final Rinse</p> <p>Water</p> </div> </div>	-	40-50	tbd	Use water of drinking quality. Low pressure rinse thoroughly with fresh water of drinking quality until all product residues are removed.

©11/2011, Ecolab Deutschland GmbH
 For any assistance do not hesitate to contact your responsible Ecolab service.

Important additional remarks!
 Due to the diversity of materials and applications the information given above represents only a non binding guideline and is not intended to supersede the manufacturers specifications, limitations and recommendations. It is compulsory to follow the manufacturers limitations, especially concerning pH and temperature stability of the materials. The cleaning process should be individually optimized.

Figure A-3 ECOLAB cleaning recommendation for N16 and N40

A.3 Fan operating instructions

K2D200-AB24-05
Siemens AG DF MC MF-M

Operating instructions

ebm-papst Mulfingen GmbH & Co. KG
Bachmühle 2
D-74673 Mulfingen
Phone +49 (0) 7938 81-0
Fax +49 (0) 7938 81-110
info1@de.ebmpapst.com
www.ebmpapst.com

CONTENTS

1. SAFETY REGULATIONS AND INFORMATION	1
1.1 Hazard levels for warnings	1
1.2 Staff qualifications	1
1.3 Basic safety rules	1
1.4 Voltage	2
1.5 Safety and protective features	2
1.6 Electromagnetic radiation	2
1.7 Mechanical movement	2
1.8 Emissions	2
1.9 Hot surface	2
1.10 Transport	2
1.11 Storage	2
2. INTENDED USE	3
3. TECHNICAL DATA	4
3.1 Product drawing	4
3.2 Nominal data	5
3.3 Technical description	5
3.4 Mounting data	5
3.5 Transport and storage conditions	5
4. CONNECTION AND STARTUP	6
4.1 Mechanical connection	6
4.2 Electrical connection	6
4.3 Connection in terminal box	6
4.4 Connection diagram	8
4.5 Checking connections	9
4.6 Switching on the device	9
4.7 Switching off the device	9
5. MAINTENANCE, MALFUNCTIONS, POSSIBLE CAUSES AND REMEDIES	9
5.1 Cleaning	9
5.2 Safety inspection	10
5.3 Disposal	10

Translation of the original operating instructions

1. SAFETY REGULATIONS AND INFORMATION

Read these operating instructions carefully before starting work on the device. Observe the following warnings to prevent malfunctions or danger to persons.

These operating instructions are to be regarded as part of the device. The device is only to be sold or passed on together with the operating instructions.

These operating instructions may be duplicated and distributed to inform about potential dangers and their prevention.

1.1 Hazard levels for warnings

These operating instructions use the following hazard levels to indicate potentially hazardous situations and important safety regulations:



DANGER

Indicates an imminently hazardous situation which will result in death or serious injury if the specified actions are not taken. Compliance with the instructions is imperative.

WARNING

Indicates a potentially hazardous situation which can result in death or serious injury if the specified actions are not taken. Exercise extreme caution while working.

CAUTION

Indicates a potentially hazardous situation which can result in minor or moderate injury or damage to property if the specified actions are not taken.

NOTE

A potentially harmful situation can occur and, if not avoided, can lead to property damage.

1.2 Staff qualifications

The device may only be transported, unpacked, installed, operated, maintained and otherwise used by suitably qualified, trained and authorized technical staff.

Only authorized specialists are permitted to install the device, to carry out a test run and to perform work on the electrical installation.

1.3 Basic safety rules

The motor may only be operated with an impeller. The result is a motor-fan combination. Motor and impeller assignment may only be done by ebm-papst.

Protection against such things as:

- electric shock
- Contact with rotating parts
- Ingress of foreign bodies or moisture
- Excessive condensation

The safety hazards associated with the device must be assessed again following installation in the final product.

The locally applicable industrial safety regulations are always to be observed when working on the device.

Keep the workplace clean and tidy. Untidiness in the work area increases the risk of accidents.

Note the following when working on the device:

- ⇒ Do not perform any modifications, additions or conversions on the device without the approval of ebm-papst.



K2D200-AB24-05
Siemens AG DF MC MF-M

Operating instructions

1.4 Voltage

- Check the device's electrical equipment at regular intervals; see Chapter 5.2 Safety inspection.
- Replace loose connections and defective cables immediately.



DANGER
Electrically charged device
Risk of electric shock

- When working on an electrically charged device, stand on a rubber mat.

CAUTION
In the event of a fault, the rotor and the impeller will be energized

- The rotor and the impeller have basic insulation.
- Do not touch the rotor and impeller once installed.

CAUTION
The motor restarts automatically when operating voltage is applied, e.g. after a power failure.

- Risk of injury
- Keep out of the device's danger zone.
- When working on the device, switch off the line voltage and ensure that it cannot be switched back on.
- Wait until the device comes to a stop.

1.5 Safety and protective features



DANGER
Guard missing and guard not functioning

Without a guard, hands may become caught up in the device during operation for example, resulting in serious injury. Loose parts or items of clothing could be drawn in.

- The device is a built-in component. As the owner, you are responsible for ensuring that the device is adequately safeguarded. Operate the device only with a fixed protective device and guard grill.
- Stop the device immediately if a protective device is found to be missing or ineffective.

1.6 Electromagnetic radiation

Interference from electromagnetic radiation is possible, e.g. in conjunction with open- and closed-loop control devices.

If impermissible radiation levels occur following installation, appropriate shielding measures have to be taken by the user.

1.7 Mechanical movement



DANGER
Rotating device

Risk of injury to body parts coming into contact with the rotor or the impeller.

- Secure the device against accidental contact.
- Before working on the system/machine, wait until all parts have come to a standstill.

WARNING
Rotating device

Long hair and dangling items of clothing, jewelry and the like can become entangled and be pulled into the device. Injuries can result.

- Do not wear any loose-fitting or dangling clothing or jewelry while working on rotating parts.
- Protect long hair with a cap.

1.8 Emissions

WARNING
Depending on the installation and operating conditions, the sound pressure level may exceed 70 dB(A).

- Risk of noise-induced hearing loss
- Take appropriate technical safety measures.
- Protect operating personnel with appropriate safety equipment such as hearing protection.
- Also observe the requirements of local agencies.

1.9 Hot surface

NOTE
Risk of fire

The risk of fire or flame propagation by ebm-papst products must be assessed by the commissioning party following installation in the final product.

1.10 Transport

NOTE
Transporting the device

- Transport the device in its original packaging only.
- Secure the device so it cannot slip, e.g. by using a lashing strip.

1.11 Storage

- Store the device, partially or fully assembled, in a dry place, protected against the weather and free from vibration, in the original packaging in a clean environment.
- Protect the device against environmental effects and dirt until final installation.
- We recommend storing the device for no longer than one year in order to guarantee trouble-free operation and the longest possible service life.
- Even devices explicitly intended for outdoor use are to be stored as described prior to commissioning.
- Maintain the storage temperature, see Chapter 3.5 Transport and storage conditions.
- Make sure that all cable glands are fitted with dummy plugs.



K2D200-AB24-05
Siemens AG DF MC MF-M

Operating instructions

2. INTENDED USE

Intended use also includes

- Using the device only in power systems with grounded neutral (TN/TT power systems).
- Conveying air at an ambient air pressure between 800 mbar and 1050 mbar.
- Using the device within the permitted ambient temperature range; see Chapter 3.5 Transport and storage conditions and Chapter 3.2 Nominal data.
- Operating the device with all protective devices.
- Following the operating instructions.

Improper use

In particular, operating the device in the following ways is prohibited and could be hazardous:

- Operating the device in an unbalanced state, e.g. due to dirt deposits or ice formation.
- Resonant operation, operation with severe vibration. This also includes vibration transmitted to the fan from the customer installation.
- Operation in medical equipment with a life-sustaining or life-support function.
- Conveying solids in the flow medium.
- Painting the device
- Connections (e.g. screws) coming loose during operation.
- Opening the terminal box during operation.
- Conveying air that contains abrasive particles.
- Conveying highly corrosive air, e.g. salt spray. Exception: devices designed for salt spray and correspondingly protected.
- Conveying air with high dust content, e.g. suctioning off sawdust.
- Operating the device close to flammable materials or components.
- Operating the device in an explosive atmosphere.
- Using the device as a safety component or to perform safety-related functions.
- Operation with completely or partially disassembled or manipulated protective devices.
- In addition, all applications not listed among the intended uses.

Translation of the original operating instructions

Item no. 16905-5-9970 · ENU · Change 214849 · Approved 2020-03-24 · Page 3 / 11



ebmpapst

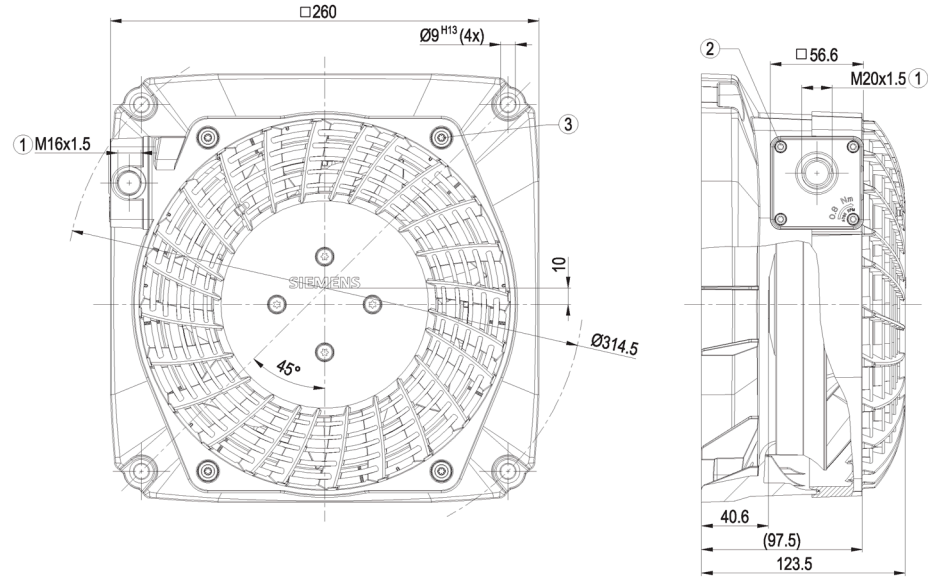
ebm-papst Mulfingen GmbH & Co. KG · Bachmühle 2 · D-74673 Mulfingen · Phone +49 (0) 7938 81-0 · Fax +49 (0) 7938 81-110 · info1@de.ebmpapst.com · www.ebmpapst.com

K2D200-AB24-05
Siemens AG DF MC MF-M

Operating instructions

3. TECHNICAL DATA

3.1 Product drawing



All dimensions in mm.

1	Max. screw-in depth 9 mm
2	Tightening torque 0.8 ± 0.1 Nm; fit screws by hand
3	Tightening torque 3.5 ± 0.3 Nm; fit screws by hand

Translation of the original operating instructions

Item no. 16905-5-9970 · ENU · Change 214849 · Approved 2020-03-24 · Page 4 / 11



ebmpapst

ebm-papst Mulfingen GmbH & Co. KG · Bachmühle 2 · D-74673 Mulfingen · Phone +49 (0) 7938 81-0 · Fax +49 (0) 7938 81-110 · info1@de.ebmpapst.com · www.ebmpapst.com

K2D200-AB24-05
Siemens AG DF MC MF-M

Operating instructions

3.2 Nominal data

Motor			
	M2D068-CF		
Phase	3~	3~	3~
Nominal voltage / VAC	400	400	480
Wiring	Y	Y	Y
Frequency / Hz	50	60	60
Method of obtaining data	ce	ce	ce
Valid for approval/standard	CE	CE	CE
Speed (rpm) / min ⁻¹	2400	2450	2700
Power consumption / W	56	75	90
Current draw / A	0.1	0.12	0.12
Min. ambient temperature / °C	-25	-25	-25
Max. ambient temperature / °C	80	80	80
Starting current / A	0.4	0.24	0.29

ml = Max. load · me = Max. efficiency · fa = Free air
cs = Customer specification · ce = Customer equipment

Subject to change

I_{max}:
340-440V 50/60Hz 0.1A/0.12A
408-528V 60Hz 0.12A

3.3 Technical description

Size	200 mm
Motor size	68
Rotor surface	Painted black
Terminal box material	PA plastic
Impeller material	PA plastic
Housing material	PA plastic
Guard grille material	PA plastic
Number of blades	7
Direction of rotation	Clockwise, viewed toward rotor
Degree of protection	IP55
Insulation class	"F"
Moisture (F) / Environmental (H) protection class	H1+
Installation position	Any
Condensation drainage holes	On rotor side
Mode	S1
Motor bearing	Ball bearing
Touch current according to IEC 60990 (measuring circuit Fig. 4, TN system)	< 0.75 mA
Electrical hookup	Terminal box
Protection class	I (with customer connection of protective earth)
Conformity with standards	EN 60034-1; EN 60204-1; EN 60335-1; CE
Approval	UL 1004-1; EAC; CSA C22.2 No. 100

Translation of the original operating instructions



With regard to cyclic speed loads, note that the rotating parts of the device are designed for a maximum of one million load cycles. If you have special questions, consult ebm-papst for support.

⇒ Use the device in accordance with its degree of protection.

Information on surface quality

The surfaces of the products conform to the generally applicable industrial standard. The surface quality may change during the production period. This has no effect on strength, dimensional stability and dimensional accuracy.

The color pigments in the paints used perceptibly react to UV light over the course of time. This does not however in any way affect the technical properties of the products. The product is to be protected against UV radiation to prevent the formation of patches and fading. Changes in color are not a reason for complaint and are not covered by the warranty.

3.4 Mounting data

Strength class of screws	8.8
--------------------------	-----

⇒ Secure the screws against unintentional loosening (e.g. use self-locking screws).

Any further mounting data required can be taken from the product drawing or Section Chapter 4.1 Mechanical connection.

3.5 Transport and storage conditions

NOTE

The degree of protection is only valid in conjunction with the main motor.

Max. permitted ambient temp. for motor (transport/storage)	+80 °C
Min. permitted ambient temp. for motor (transport/storage)	-40 °C

Item no. 16905-5-9970 · ENU · Change 214849 · Approved 2020-03-24 · Page 5 / 11



ebmpapst

ebm-papst Mulfingen GmbH & Co. KG · Bachmühle 2 · D-74673 Mulfingen · Phone +49 (0) 7938 81-0 · Fax +49 (0) 7938 81-110 · info1@de.ebmpapst.com · www.ebmpapst.com

K2D200-AB24-05
Siemens AG DF MC MF-M

Operating instructions

4. CONNECTION AND STARTUP

4.1 Mechanical connection



CAUTION
Risk of cutting and crushing when removing device from packaging



→ Carefully remove the device from the packaging by grasping hold of the frame. Never subject to any impact.
→ Wear safety shoes and cut-resistant safety gloves.



NOTE
Damage to the device from vibration
Bearing damage, shorter service life

- The fan must not be subjected to force or excessive vibration from sections of the installation.
- If the fan is connected to air ducts, the connection should be isolated from vibration, e.g. using compensators or similar elements.
- Ensure stress-free attachment of the fan to the substructure.
- The fan may not be handled in the area around the inlet nozzle during transport and installation. There is a risk of damage to the impeller.
- Check the device for transport damage. Damaged devices are not to be installed.
- Install the undamaged device in accordance with your application.



CAUTION
Possible damage to the device

If the device slips during installation, serious damage can result.
→ Ensure that the device is securely positioned at its place of installation until all fastening screws have been tightened.

- The fan must not be strained on fastening.

4.2 Electrical connection



DANGER
Voltage on the device
Electric shock

→ Always connect a protective earth first.
→ Check the protective earth.



DANGER
Faulty insulation
Risk of fatal injury from electric shock

→ Use only cables that meet the specified installation regulations for voltage, current, insulation material, capacity, etc.
→ Route cables so that they cannot be touched by any rotating parts.

CAUTION
Voltage

The device is a built-in component and has no disconnecting switch.
→ Only connect the device to circuits that can be switched off with an all-pole disconnection switch.
→ When working on the device, secure the system/machine in which the device is installed so as to prevent it from being switched back on.

NOTE

Water ingress into wires or cables

Water ingress at the customer end of the cable can damage the device.

→ Make sure the end of the cable is connected in a dry environment.



Only connect the device to circuits that can be switched off with an all-pole disconnection switch.

4.2.1 Requirements

- Check whether the information on the nameplate matches the connection data.
- Before connecting the device, make sure the power supply matches the device voltage.
- Only use cables designed for the current level indicated on the nameplate.
For determining the cross-section, note the sizing criteria according to EN 61800-5-1. The protective earth must have a cross-section equal to or greater than that of the phase conductor. We recommend the use of 105 °C cables. Ensure that the minimum cable cross-section is at least AWG 26 / 0.13 mm².
- For a M20x1.5 cable gland, measure the maximum cable cross-section of 2.5 mm² and for a M16x1.5 cable gland the maximum cable cross-section of 1.5 mm².

Forced-ventilation units with no thermal overload protector must be safeguarded by a motor circuit breaker prior to startup.

Protective earth contact resistance according to EN 60335

Compliance with the resistance specifications according to EN 60335 for the protective earth connection circuit must be verified in the end application. Depending on the installation situation, it may be necessary to connect an additional protective earth conductor by way of the extra protective earth terminal provided on the device.

4.2.2 Residual current circuit breaker (RCCB)



If the use of a residual current device (RCD) is required in your installation, only AC/DC-sensitive residual current devices of type B are permissible.

4.3 Connection in terminal box

4.3.1 Preparing cables for connection

Only strip the cable as far as necessary, ensuring that the cable gland is sealed and there is no strain on the connections. For tightening torques, see Chapter 3.1 Product drawing.



NOTE
Tightness and strain relief are dependent on the cable used.

→ This must be checked by the user.

- When connecting, make sure the ground conductor is longer than the phase conductors.



K2D200-AB24-05
Siemens AG DF MC MF-M

Operating instructions

4.3.2 Connecting wires to terminals

- To ensure the IP protection, a cable gland with seal must be used for the cable entry.
- Only use cable glands made of plastic.
- Route the cables into the intended openings on the terminal box.
- First connect the "PE" (protective earth).

An external ground connection can also be made at uninsulated points on the housing or using the external ground connection in the terminal box.

- Connect the wires to the corresponding terminals.

Use a screwdriver to do so.

When connecting, ensure that no wire ends fan out.

- Insert the leads until they meet resistance.
- The cable bushing to the add-on device must be free of burrs and in accordance with the degree of protection (IP code).

4.3.3 Cable routing

Water must be prevented from reaching the cable gland along the cable.



NOTE

Damage caused by moisture penetration.

Moisture can penetrate into the terminal box if water is constantly present at the cable glands.

- To prevent the constant accumulation of water at the cable glands, the cable should be routed in a U-shaped loop wherever possible.
- If this is not possible, a drip edge can be produced by fitting a cable tie directly in front of the cable gland for example.

— Make sure the cable is routed in a U-shaped loop.

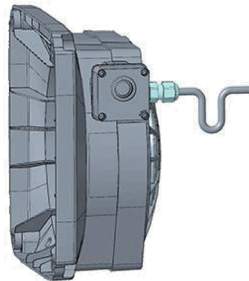


Fig. 1: Cable routing in U-shaped loop

4.3.4 Motor protection

Motor protection switch



WARNING

Device has no locked-rotor protection

As delivered, the forced-ventilation unit has no automatic protection against incorrect operation (locked-rotor protection). The device can become hot and catch fire.

- For the version without thermal overload protector, also install a suitable motor protection switch or a suitable tripping unit for the PTC thermistor.

Translation of the original operating instructions

Item no. 16905-5-9970 · ENU · Change 214849 · Approved 2020-03-24 · Page 7 / 11



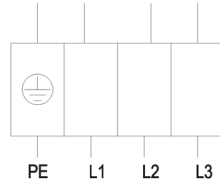
ebmpapst

ebm-papst Mulfingen GmbH & Co. KG · Bachmühle 2 · D-74673 Mulfingen · Phone +49 (0) 7938 81-0 · Fax +49 (0) 7938 81-110 · info1@de.ebmpapst.com · www.ebmpapst.com

K2D200-AB24-05
Siemens AG DF MC MF-M

Operating instructions

4.4 Connection diagram



PE	green/yellow
L1	black
L2	blue
L3	brown

Translation of the original operating instructions

Item no. 16905-5-9970 · ENU · Change 214849 · Approved 2020-03-24 · Page 8 / 11



ebmpapst

ebm-papst Mulfingen GmbH & Co. KG · Bachmühle 2 · D-74673 Mulfingen · Phone +49 (0) 7938 81-0 · Fax +49 (0) 7938 81-110 · info1@de.ebmpapst.com · www.ebmpapst.com

K2D200-AB24-05
Siemens AG DF MC MF-M

Operating instructions

4.5 Checking connections

- Ensure isolation from supply (all phases).
- Make sure a restart is impossible
- Check the cables for proper fit.
- Check the mechanical and electrical installation of safety-related components (e.g. motor protection switch, guard grille etc.).
- Screw the terminal box cover back on again. Terminal box tightening torque, see Chapter 3.1 Product drawing.
- Make sure the terminal box is completely closed and sealed and that all screws and cable glands have been properly tightened.

4.6 Switching on the device

The device may only be switched on if it has been installed properly and in accordance with its intended use, including the required safety mechanisms and professional electrical hookup. This also applies for devices which have already been equipped with plugs and terminals or similar connectors by the customer.



WARNING Hot motor housing Risk of fire

- Ensure that no combustible or flammable materials are located close to the fan.
- Before switching on, check the device for visible external damage and make sure the protective devices are functional.
- Check the fan's air flow paths for foreign matter and remove any foreign matter found.
- Apply the nominal supply voltage.



NOTE Damage to the device from vibration Bearing damage, shorter service life

- Low-vibration operation of the fan must be ensured over the entire speed control range.
- Severe vibration can arise for instance from inexperienced handling, transportation damage and resultant imbalance or be caused by component or structural resonance.
- Speed ranges with excessively high vibration levels and possibly resonant frequencies must be determined in the course of fan commissioning.
- Either run through the resonant range as quickly as possible with speed control or find another remedy.
- Operation with excessively high vibration levels can lead to premature failure.

4.7 Switching off the device

- Disconnect the device from the power supply at the supply line's main switch.
- When disconnecting, be sure to disconnect the ground connection last.

5. MAINTENANCE, MALFUNCTIONS, POSSIBLE CAUSES AND REMEDIES

The fan in the forced-ventilation unit is maintenance-free thanks to the use of special bearing greases.

During maintenance work on the ventilation unit, e.g. when cleaning the fan blades, the fan must be stationary and the ventilation unit's electrical circuit must be interrupted and secured against being switched on again.

CAUTION

The motor restarts automatically when operating voltage is applied, e.g. after a power failure.

Risk of injury

- Keep out of the device's danger zone.
- When working on the device, switch off the line voltage and ensure that it cannot be switched back on.
- Wait until the device comes to a stop.



If the device is out of use for some time, e.g. when in storage, we recommend switching it on for at least two hours to allow any condensation to evaporate and to move the bearings.

- Do not perform any repairs on the forced-ventilation unit. Send the blower to ebm-papst for repair or replacement.

Malfunction/fault	Possible cause	Possible remedy
Impeller not running smoothly	Imbalance in rotating parts	Clean the device; replace it if imbalance persists after cleaning. Make sure no weight clips are removed during cleaning.
Motor not turning	Mechanical blockage	Switch off, isolate from supply and remove mechanical blockage.
	Line voltage faulty	Check line voltage, restore power supply.
	Faulty connection	Isolate from supply, correct connection; see connection diagram.
	Broken motor winding	Replace device
Motor overtemperature	Impermissible point of operation	Check point of operation
	Ambient temperature too high	Reduce ambient temperature if possible
	Deficient cooling	Improve cooling



In the event of further malfunctions, contact ebm-papst.

5.1 Cleaning

To ensure a long service life, check the fans regularly for proper operation and soiling. The frequency of checking is to be adapted accordingly depending on the degree of soiling.



K2D200-AB24-05
Siemens AG DF MC MF-M

Operating instructions



DANGER Risk of injury from rotating fan.

→ Only clean when not in motion. Interrupt the power supply, secure against renewed switch-on. Secure against start-up, prevent air flow.

- Dirt deposits on the motor housing can cause overheating of the motor.
- Soiling of the impeller can cause vibration that will shorten the service life of the fan.
- Severe vibration can destroy the fan.
- In such cases, switch off the fan immediately and clean it.
- The preferred method of cleaning is dry cleaning, e.g. using compressed air.
- Do not use aggressive cleaning agents!

NOTE Damage to the device during cleaning Malfunction possible

→ Do not clean the device using a high-pressure cleaner. # Do not use acid, alkali or solvent-based cleaning agents.
→ Do not use any pointed or sharp-edged objects for cleaning.

- Clean the fan using a suitable cloth or brush, taking care not to allow moisture to reach the motor's interior.
- Take care not to damage or bend the fan blades.
- Completely remove any cleaning agents used.
- If severe corrosion is visible on load-bearing or rotating parts, switch off the device immediately and replace it.
- Repair of load-bearing or rotating parts is not permitted!
- Operate the fan for 2 hours at maximum speed so that any water that has ingressed can evaporate.
- If cleaning does not eliminate vibrations, the fan may need to be rebalanced. To have it rebalanced, contact ebm-papst.
- The fan is equipped with maintenance-free ball bearings. The lifetime lubrication of the ball bearings is designed for a service life of 40,000 hours.
- If bearing replacement is necessary after that period, contact ebm-papst.
- Adapt the maintenance intervals to the actual level of dust exposure.

5.2 Safety inspection

What to check	How to check	How often	What action?
Contact protection cover for intactness or damage	Visual inspection	At least every 6 months	Repair or replacement of device
Device for damage	Visual inspection	At least every 6 months	Replace device
Fastening the cables	Visual inspection	At least every 6 months	Fasten
Fastening the protective earth terminal	Visual inspection	At least every 6 months	Fasten
Insulation of cables for damage	Visual inspection	At least every 6 months	Replace cables

Impeller for wear/deposits/corrosion and damage	Visual inspection	At least every 6 months	Clean impeller or replace device
Tightness of cable gland	Visual inspection	At least every 6 months	Retighten, replace if damaged
Condensation drainage holes for clogging, where necessary	Visual inspection	At least every 6 months	Open holes
Distance between impeller and housing or plastic ring	Measurement	At least every 6 months	Replace device
Insulation resistance check	Measurement	Following completion of electrical work	Replace device
Abnormal bearing noise	acoustic	At least every 6 months	Replace device

5.3 Disposal

For ebm-papst, environmental protection and resource preservation are top priority corporate goals.

ebm-papst operates an environmental management system which is certified in accordance with ISO 14001 and rigorously implemented around the world on the basis of German standards.

Right from the development stage, ecological design, technical safety and health protection are fixed criteria.

The following section contains recommendations for ecological disposal of the product and its components.

5.3.1 Country-specific legal requirements



NOTE Country-specific legal requirements

Always observe the applicable country-specific legal regulations with regard to the disposal of products or waste occurring in the various phases of the life cycle. The corresponding disposal standards are also to be heeded.

5.3.2 Disassembly

Disassembly of the product must be performed or supervised by qualified personnel with the appropriate technical knowledge.

The product is to be disassembled into suitable components for disposal employing standard procedures for motors.



WARNING Heavy parts of the product may drop off. Some of the product components are heavy. These components could drop off during disassembly.

This can result in fatal or serious injury and material damage.

→ Secure components before unfastening to stop them falling.

Translation of the original operating instructions

Item no. 16905-5-9970 · ENU · Change 214849 · Approved 2020-03-24 · Page 10 / 11



ebmpapst

ebm-papst Mulfingen GmbH & Co. KG · Bachmühle 2 · D-74673 Mulfingen · Phone +49 (0) 7938 81-0 · Fax +49 (0) 7938 81-110 · info1@de.ebmpapst.com · www.ebmpapst.com

K2D200-AB24-05

Siemens AG DF MC MF-M

Operating instructions

5.3.3 Component disposal

The products are mostly made of steel, copper, aluminum and plastic. Metallic materials are generally considered to be fully recyclable.

Separate the components for recycling into the following categories:

- Steel and iron
- Aluminum
- Non-ferrous metal, e.g. motor windings
- Plastics, particularly with brominated flame retardants, in accordance with marking
- Insulating materials
- Cables and wires
- Electronic scrap, e.g. circuit boards

Only ferrite magnets and not rare earth magnets are used in external rotor motors from ebm-papst Mulfingen GmbH & Co. KG.

→ Ferrite magnets can be disposed of in the same way as normal iron and steel.

Electrical insulating materials on the product, in cables and wires are made of similar materials and are therefore to be treated in the same manner.

The materials concerned are as follows:

- Miscellaneous insulators used in the terminal box
- Power cables
- Cables for internal wiring
- Electrolytic capacitors

Dispose of electronic components employing the proper procedures for electronic scrap.



→ Please contact ebm-papst for any other questions on disposal.

Translation of the original operating instructions

Item no. 16905-5-9970 · ENU · Change 214849 · Approved 2020-03-24 · Page 11 / 11



ebmpapst

ebm-papst Mulfingen GmbH & Co. KG · Bachmühle 2 · D-74673 Mulfingen · Phone +49 (0) 7938 81-0 · Fax +49 (0) 7938 81-110 · info1@de.ebmpapst.com · www.ebmpapst.com

Index

B

Bearing change interval, 128

C

Certificates

EAC, 22

EC Declaration of Conformity, 22

UL and cUL, 22

Commissioning, 112

Connecting the water cooling system, 70

Correct usage, 19

D

DRIVE-CLiQ interface, 39, 96

F

Forced ventilation, 44

H

Holding brake, 49

I

Inspection and maintenance, 123

Intended use, 19

K

KTY, 37

L

Lifting and transporting the motor, 52

M

Maintenance intervals, 126

Mounting conditions, 64

N

Noise emission, 28

P

Pt1000, 37

R

Rating plate, 30, 30

RoHS, 22

S

Sealing of the motor shaft, 27

Sound pressure level, 28

T

Target group, 3

Technical Support

Hotline, (Siemens Service Center)

Thermal motor protection, 37

Tightening torques, 62

Training, 6

Transportation, 52

V

Vibration response, 67

W

Water cooling, 46, 68

Siemens AG
Digital Industry
Motion Control
P.O. Box 31 80
91050 ERLANGEN, Germany

Scan the QR code
for additional
information
about SIMOTICS.

