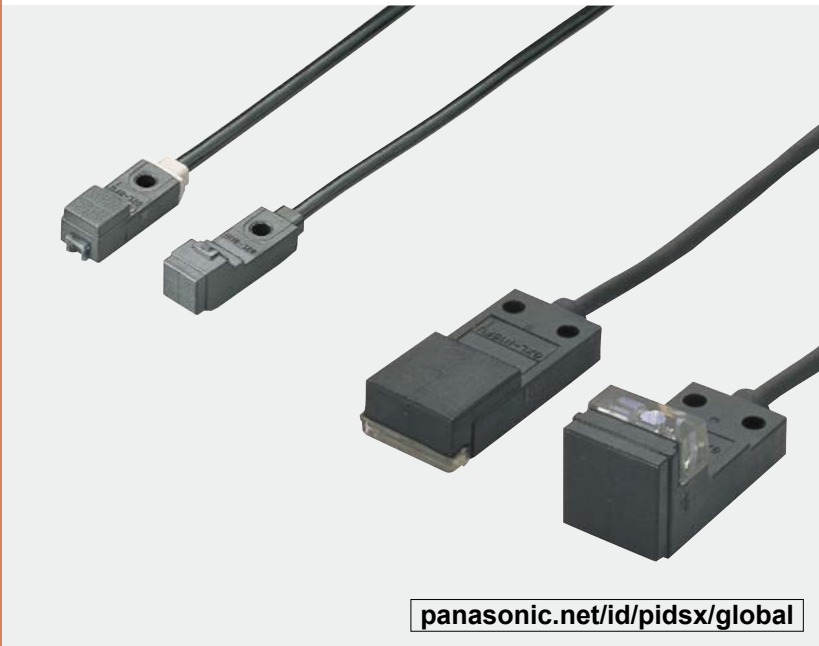






# GXL SERIES

Related Information	■ General terms and conditions..... F-3	■ Selection guide ..... P.781~
	■ Glossary of terms..... P.1576~	■ General precautions ..... P.1579~



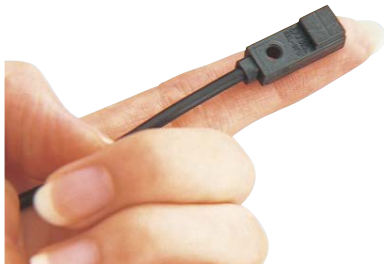
-  2-wire type available
-  IP67G Oil resistant
-  Bending-resistant cable type available
-  Different freq. type available

## High performance in micro-size design

### BASIC PERFORMANCE

#### Versatile mounting

Since the sensor is fingertip size, it can be mounted in a tight space.



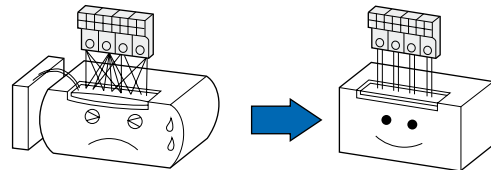
#### Reduced wiring operation

The wiring cost of the DC 2-wire type is 2/3 that of a conventional model. Besides, the possibility of miswiring is reduced.

#### Particularly convenient when many sensors are used.

Wiring of the 3-wire type is cumbersome.

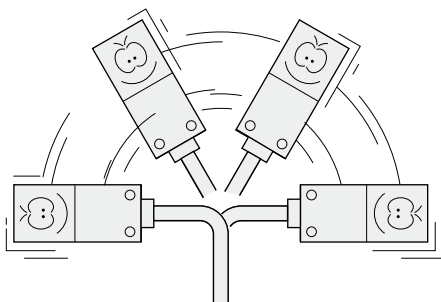
Wiring of the 2-wire type is simple and neat.



### ENVIRONMENTAL RESISTANCE

#### Bending-resistant cable type

The bending durability of its cable is ten times that of the conventional model. The sensor can be mounted on a moving table or a robot arm.



### Others

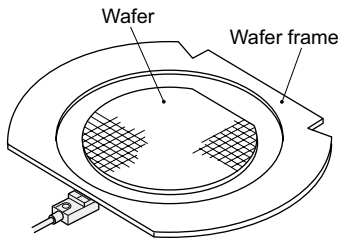
#### Cost performance

Achieve high performance at an affordable price.

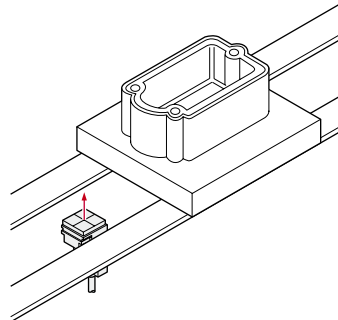
FIBER SENSORS
LASER SENSORS
PHOTOELECTRIC SENSORS
MICRO PHOTOELECTRIC SENSORS
AREA SENSORS
SAFETY LIGHT CURTAINS / SAFETY COMPONENTS
PRESSURE / FLOW SENSORS
INDUCTIVE PROXIMITY SENSORS
PARTICULAR USE SENSORS
SENSOR OPTIONS
SIMPLE WIRE-SAVING UNITS
WIRE-SAVING SYSTEMS
MEASUREMENT SENSORS
STATIC CONTROL DEVICES
LASER MARKERS
PLC
HUMAN MACHINE INTERFACES
ENERGY MANAGEMENT SOLUTIONS
FA COMPONENTS
MACHINE VISION SYSTEMS
UV CURING SYSTEMS
Selection Guide
Amplifier Built-in
Amplifier-separated
Other Products
GX-F/H
<b>GXL</b>
GL
GX-M
GX-U/GX-FU/GX-N
GX

**APPLICATIONS**

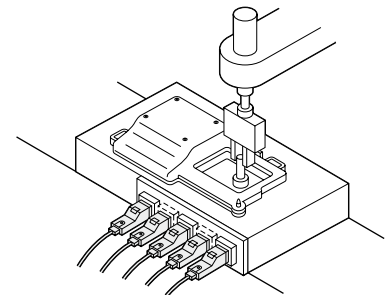
**Detecting wafer frame**



**Detecting aluminum pallet**



**Code reading**



**ORDER GUIDE**

**GXL-8 type**

Type	Appearance (mm in)	Sensing range (Note 1)	Model No. (Note 2)	Output	Output operation
DC 2-wire			<b>GXL-8FU</b>	Non-contact DC 2- wire type	Normally open
			<b>GXL-8FUI</b>		Normally closed
			<b>GXL-8FUB</b>		Normally open
	<b>GXL-8FUIB</b>		Normally closed		
			<b>GXL-8HU</b>		Normally open
			<b>GXL-8HUI</b>		Normally closed
<b>GXL-8HUB</b>		Normally open			
			<b>GXL-8HUIB</b>	Normally closed	

Notes: 1) The maximum operation distance stands for the maximum distance for which the sensor can detect the standard sensing object. The stable sensing range stands for the sensing range for which the sensor can stably detect the standard sensing object even if there is an ambient temperature drift and/or supply voltage fluctuation.  
 2) " I " in the model No. indicates a different frequency type.

**GXL-15 (Standard) type**

Type	Appearance (mm in)	Sensing range (Note 1)	Model No. (Note 2)	Output	Output operation
DC 2-wire			<b>GXL-15FU</b>	Non-contact DC 2- wire type	Normally open
			<b>GXL-15FUI</b>		Normally closed
			<b>GXL-15FUB</b>		Normally open
	<b>GXL-15FUIB</b>		Normally closed		
			<b>GXL-15HU</b>		Normally open
			<b>GXL-15HUI</b>		Normally closed
<b>GXL-15HUB</b>		Normally open			
			<b>GXL-15HUIB</b>	Normally closed	

Notes: 1) The maximum operation distance stands for the maximum distance for which the sensor can detect the standard sensing object. The stable sensing range stands for the sensing range for which the sensor can stably detect the standard sensing object even if there is an ambient temperature drift and/or supply voltage fluctuation.  
 2) " I " in the model No. indicates a different frequency type.

- FIBER SENSORS
- LASER SENSORS
- PHOTO-ELECTRIC SENSORS
- MICRO PHOTO-ELECTRIC SENSORS
- AREA SENSORS
- SAFETY LIGHT CURTAINS / SAFETY COMPONENTS
- PRESSURE / FLOW SENSORS
- INDUCTIVE PROXIMITY SENSORS
- PARTICULAR USE SENSORS
- SENSOR OPTIONS
- SIMPLE WIRE-SAVING UNITS
- WIRE-SAVING SYSTEMS
- MEASUREMENT SENSORS
- STATIC CONTROL DEVICES
- LASER MARKERS
- PLC
- HUMAN MACHINE INTERFACES
- ENERGY MANAGEMENT SOLUTIONS
- FA COMPONENTS
- MACHINE VISION SYSTEMS
- UV CURING SYSTEMS

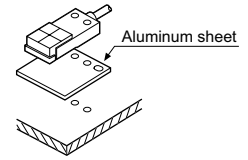
- Selection Guide
- Amplifier Built-in
- Amplifier-separated
- Other Products
- GX-F/H**
- GXL**
- GL**
- GX-M**
- GX-U/GX-FU/GX-N
- GX**

**ORDER GUIDE**

**GXL-15 (Long sensing range) type ... For mounting on non-magnetic material (Note 3)**

Type	Appearance (mm in)	Sensing range (Note 1)	Model No. (Note 2)	Output	Output operation		
DC 2-wire		Maximum operation distance 8 mm 0.315 in	GXL-15FLU	Non-contact DC 2-wire type	Normally open		
			GXL-15FLUI				
			GXL-15FLUB		Normally closed		
			GXL-15FLUIB				
					Stable sensing range (0 to 6.4 mm) (0 to 0.252 in)	GXL-15HLU	Normally open
						GXL-15HLUI	
	GXL-15HLUB	Normally closed					
	GXL-15HLUIB						

- Notes: 1) The maximum operation distance stands for the maximum distance for which the sensor can detect the standard sensing object. The stable sensing range stands for the sensing range for which the sensor can stably detect the standard sensing object even if there is an ambient temperature drift and/or supply voltage fluctuation.
- 2) " I " in the model No. indicates a different frequency type.
- 3) To mount the long sensing range **GXL-15** type on a magnetic body, such as iron, the enclosed aluminum sheet, or any other aluminum sheet having a minimum size of 30 × 39.5 × t 0.3 mm 1.181 × 1.555 × t 0.012 in (**GXL-15HLU** type: 30 × 30 × t 0.3 mm 1.181 × 1.181 × t 0.012 in), should be inserted between the sensor and the magnetic body. However, it is not necessary to use the aluminum sheet when mounting on a non-magnetic body, such as, aluminum or an insulator.



**Bending-resistant cable type and 5 m 16.404 ft cable length type**

Bending-resistant cable type and 5 m 16.404 ft cable length type (standard: 1 m 3.281 ft) are also available.

• **Table of Model Nos.**

Type	Standard	Bending-resistant cable type	5 m 16.404 ft cable length type	Bending-resistant cable of 5 m 16.404 ft cable length type		
DC 2-wire	Front sensing	GXL-8FU	GXL-8FU-R	GXL-8FU-C5	GXL-8FU-R-C5	
		GXL-8FUI	GXL-8FUI-R	GXL-8FUI-C5	GXL-8FUI-R-C5	
		GXL-8FUB	GXL-8FUB-R	GXL-8FUB-C5	GXL-8FUB-R-C5	
		GXL-8FUIB	GXL-8FUIB-R	GXL-8FUIB-C5	GXL-8FUIB-R-C5	
		Top sensing	GXL-8HU	GXL-8HU-R	GXL-8HU-C5	GXL-8HU-R-C5
			GXL-8HUI	GXL-8HUI-R	GXL-8HUI-C5	GXL-8HUI-R-C5
	GXL-8HUB		GXL-8HUB-R	GXL-8HUB-C5	GXL-8HUB-R-C5	
	GXL-8HUIB		GXL-8HUIB-R	GXL-8HUIB-C5	GXL-8HUIB-R-C5	
	Front sensing		GXL-15FU	GXL-15FU-R	GXL-15FU-C5	GXL-15FU-R-C5
			GXL-15FUI	GXL-15FUI-R	GXL-15FUI-C5	GXL-15FUI-R-C5
		GXL-15FUB	GXL-15FUB-R	GXL-15FUB-C5	GXL-15FUB-R-C5	
		GXL-15FUIB	GXL-15FUIB-R	GXL-15FUIB-C5	GXL-15FUIB-R-C5	
		Top sensing	GXL-15HU	GXL-15HU-R	GXL-15HU-C5	GXL-15HU-R-C5
			GXL-15HUI	GXL-15HUI-R	GXL-15HUI-C5	GXL-15HUI-R-C5
	GXL-15HUB		GXL-15HUB-R	GXL-15HUB-C5	GXL-15HUB-R-C5	
	GXL-15HUIB		GXL-15HUIB-R	GXL-15HUIB-C5	GXL-15HUIB-R-C5	
	Front sensing		GXL-15FLU	GXL-15FLU-R	GXL-15FLU-C5	GXL-15FLU-R-C5
			GXL-15FLUI	GXL-15FLUI-R	GXL-15FLUI-C5	GXL-15FLUI-R-C5
		GXL-15FLUB	GXL-15FLUB-R	GXL-15FLUB-C5	GXL-15FLUB-R-C5	
		GXL-15FLUIB	GXL-15FLUIB-R	GXL-15FLUIB-C5	GXL-15FLUIB-R-C5	
		Top sensing	GXL-15HLU	GXL-15HLU-R	GXL-15HLU-C5	GXL-15HLU-R-C5
			GXL-15HLUI	GXL-15HLUI-R	GXL-15HLUI-C5	GXL-15HLUI-R-C5
	GXL-15HLUB		GXL-15HLUB-R	GXL-15HLUB-C5	GXL-15HLUB-R-C5	
	GXL-15HLUIB		GXL-15HLUIB-R	GXL-15HLUIB-C5	GXL-15HLUIB-R-C5	

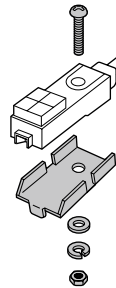
FIBER SENSORS  
LASER SENSORS  
PHOTO-ELECTRIC SENSORS  
MICRO PHOTO-ELECTRIC SENSORS  
AREA SENSORS  
SAFETY LIGHT CURTAINS / SAFETY COMPONENTS  
PRESSURE / FLOW SENSORS  
INDUCTIVE PROXIMITY SENSORS  
PARTICULAR USE SENSORS  
SENSOR OPTIONS  
SIMPLE WIRE-SAVING UNITS  
WIRE-SAVING SYSTEMS  
MEASUREMENT SENSORS  
STATIC CONTROL DEVICES  
LASER MARKERS  
PLC  
HUMAN MACHINE INTERFACES  
ENERGY MANAGEMENT SOLUTIONS  
FA COMPONENTS  
MACHINE VISION SYSTEMS  
UV CURING SYSTEMS  
Selection Guide  
Amplifier Built-in  
Amplifier-separated  
Other Products  
GX-F/H  
GXL  
GL  
GX-M  
GX-U/GX-FU/GX-N  
GX

**ORDER GUIDE**

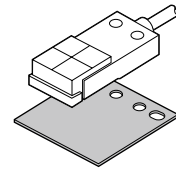
**Accessories**

- **MS-GXL8-4** (Sensor mounting bracket for **GXL-8FU**, **GXL-8HU** type)
- **MS-A15F** (Aluminum sheet for **GXL-15FLU** type)
- **MS-A15H** (Aluminum sheet for **GXL-15HLU** type)

• **MS-GXL8-4**



• **MS-A15F**  
• **MS-A15H**



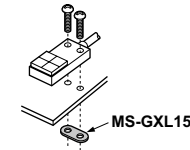
1 pc. each of M3  
(length: 12 mm **0.472 in**)  
truss head screw, nut, spring  
washer and plain washer is  
attached.

**OPTIONS**

Designation	Model No.	Description
Sensor mounting bracket	<b>MS-GXL15</b>	Mounting bracket for <b>GXL-15</b> type
	<b>MS-GXL15-2</b>	Mounting bracket for <b>GXL-15F</b> type

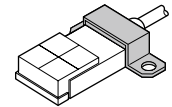
**Sensor mounting bracket**

• **MS-GXL15**



Screws are not supplied.

• **MS-GXL15-2**



Screws are not supplied.

FIBER SENSORS

LASER SENSORS

PHOTO-ELECTRIC SENSORS

MICRO PHOTO-ELECTRIC SENSORS

AREA SENSORS

SAFETY LIGHT CURTAINS / SAFETY COMPONENTS

PRESSURE / FLOW SENSORS

**INDUCTIVE PROXIMITY SENSORS**

PARTICULAR USE SENSORS

SENSOR OPTIONS

SIMPLE WIRE-SAVING UNITS

WIRE-SAVING SYSTEMS

MEASUREMENT SENSORS

STATIC CONTROL DEVICES

LASER MARKERS

PLC

HUMAN MACHINE INTERFACES

ENERGY MANAGEMENT SOLUTIONS

FA COMPONENTS

MACHINE VISION SYSTEMS

UV CURING SYSTEMS

Selection Guide

Amplifier Built-in

Amplifier-separated

Other Products

**GX-F/H**

**GXL**

**GL**

**GX-M**

GX-U/GX-FU/  
GX-N

**GX**

**SPECIFICATIONS**

Type	GXL-8 type		GXL-15 type				
			Standard		Long sensing range (For mounting on non-magnetic body) (Note 2)		
	Front sensing	Top sensing	Front sensing	Top sensing	Front sensing	Top sensing	
Item	Model No.	GXL-8FU	GXL-8HU	GXL-15FU	GXL-15HU	GXL-15FLU	GXL-15HLU
CE marking directive compliance	EMC Directive, RoHS Directive						
Max. operation distance (Note 3)	2.5 mm <b>0.098 in</b> ±20 %		5 mm <b>0.197 in</b> ±10 %		8 mm <b>0.315 in</b> ±10 %		
Stable sensing range (Note 3)	0 to 1.8 mm <b>0 to 0.071 in</b>		0 to 4 mm <b>0 to 0.157 in</b>		0 to 6.4 mm <b>0 to 0.252 in</b>		
Standard sensing object	Iron sheet 15 × 15 × t 1 mm <b>0.591 × 0.591 × t 0.039 in</b>		Iron sheet 20 × 20 × t 1 mm <b>0.787 × 0.787 × t 0.039 in</b>		Iron sheet 30 × 30 × t 1 mm <b>1.181 × 1.181 × t 0.039 in</b>		
Hysteresis	20 % or less of operation distance (with standard sensing object)						
Repeatability	Along sensing axis, perpendicular to sensing axis: 0.04 mm <b>0.002 in</b> or less						
Supply voltage	12 to 24 V DC ±10 % Ripple P-P 10 % or less						
Current consumption (Note 4)	0.8 mA or less						
Output	Non-contact DC 2-wire type • Load current: 3 to 70 mA (Note 5) • Residual voltage: 3 V or less (Note 6)			Non-contact DC 2-wire type • Load current: 3 to 100 mA (Note 5) • Residual voltage: 3 V or less (Note 6)			
	Utilization category	DC-12 or DC-13					
Short-circuit protection	Incorporated						
Max. response frequency	1 kHz						
Operation indicator	Normally closed type: Red LED (lights up when the output is ON)						
2-color indicator	Normally open type: Lights up in green under stable sensing condition Lights up in red under unstable sensing condition						
Environmental resistance	Pollution degree	3 (Industrial environment)					
	Protection	IP67 (IEC), IP67G (Note 7)					
	Ambient temperature	-25 to +70 °C <b>-13 to +158 °F</b> , Storage: -30 to +80 °C <b>-22 to +176 °F</b>					
	Ambient humidity	45 to 85 % RH, Storage: 35 to 95 % RH					
	Voltage withstandability	1,000 V AC for one min. between all supply terminals connected together and enclosure					
	Insulation resistance	50 MΩ, or more, with 250 V DC megger between all supply terminals connected together and enclosure					
	Vibration resistance	10 to 55 Hz frequency, 1.5 mm <b>0.059 in</b> double amplitude in X, Y and Z directions for two hours each					
Shock resistance	1,000 m/s <sup>2</sup> acceleration (100 G approx.) in X, Y and Z directions three times each						
Sensing range variation	Temperature characteristics	Over ambient temperature range -25 to +70 °C <b>-13 to +158 °F</b> : Within $\pm 15\%$ of sensing range at +20 °C <b>+68 °F</b>					
	Voltage characteristics	Within ±2 % for ±10 % fluctuation of the supply voltage					
Material	Enclosure: PBT, Indicator part: Polyarylate			Enclosure: PET Indicator part: Polyarylate	Enclosure: PBT Indicator part: Polyarylate	Enclosure: PET Indicator part: Polyarylate	
Cable (Note 8)	0.15 mm <sup>2</sup> 2-core oil, heat and cold resistant cable, 1 m <b>3.281 ft</b> long		0.2 mm <sup>2</sup> 2-core oil, heat and cold resistant cable, 1 m <b>3.281 ft</b> long				
Cable extension	Extension up to total 50 m <b>164.042 ft</b> is possible with 0.3 mm <sup>2</sup> , or more, cable.						
Weight	Net weight: 12 g approx.			Net weight: 20 g approx.			
Accessories	<b>MS-GXL8-4</b> (Sensor mounting bracket): 1 set		—		<b>MS-A15F</b> (Aluminum sheet): 1 pc.	<b>MS-A15H</b> (Aluminum sheet): 1 pc.	

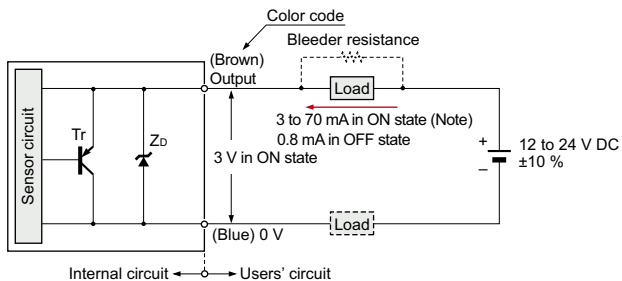
- Notes: 1) Where measurement conditions have not been specified precisely, the conditions used were an ambient temperature of +23 °C **+73.4 °F**.  
 2) To mount the long sensing range type on a magnetic body, such as iron, the enclosed aluminum sheet, or any other aluminum sheet having a minimum size of 30 × 39.5 × t 0.3 mm **1.181 × 1.555 × t 0.012 in** (GXL-15HLU type: 30 × 30 × t 0.3 mm **1.181 × 1.181 × t 0.012 in**), should be inserted between the sensor and the magnetic body.  
 However, it is not necessary to use the aluminum sheet when mounting on a non-magnetic body, such as, aluminum or an insulator.  
 3) The maximum operation distance stands for the maximum distance for which the sensor can detect the standard sensing object.  
 The stable sensing range stands for the sensing range for which the sensor can stably detect the standard sensing object even if there is an ambient temperature drift and/or supply voltage fluctuation.  
 4) It is the leakage current when the output is in the OFF state.  
 5) The maximum load current varies with the ambient temperature. Refer to "I/O CIRCUIT AND WIRING DIAGRAMS (p.806)" for more details.  
 6) When the cable is extended, the residual voltage becomes larger according to the resistance of the cable.  
 The residual voltage of 5 m **16.404 ft** cable length type increases by +0.1 V.  
 7) If using the sensor in an environment where cutting oil droplets splatter, the sensor may be deteriorated due to added substances in the oil.  
 Please check the resistivity of the sensor against the cutting oil you are using beforehand.  
 8) The bending-resistant cable type (model No. with suffix "-R") has a 0.15 mm<sup>2</sup> (GXL-15 type: 0.2 mm<sup>2</sup>) bending, oil, heat and cold resistant cable, 1 m **3.281 ft** long.

FIBER SENSORS  
 LASER SENSORS  
 PHOTO-ELECTRIC SENSORS  
 MICRO PHOTO-ELECTRIC SENSORS  
 AREA SENSORS  
 SAFETY LIGHT CURTAINS / SAFETY COMPONENTS  
 PRESSURE / FLOW SENSORS  
 INDUCTIVE PROXIMITY SENSORS  
 PARTICULAR USE SENSORS  
 SENSOR OPTIONS  
 SIMPLE WIRE-SAVING UNITS  
 WIRE-SAVING SYSTEMS  
 MEASUREMENT SENSORS  
 STATIC CONTROL DEVICES  
 LASER MARKERS  
 PLC  
 HUMAN MACHINE INTERFACES  
 ENERGY MANAGEMENT SOLUTIONS  
 FA COMPONENTS  
 MACHINE VISION SYSTEMS  
 UV CURING SYSTEMS  
 Selection Guide  
 Amplifier Built-in  
 Amplifier-separated  
 Other Products  
**GX-F/H**  
**GXL**  
**GL**  
**GX-M**  
 GX-U/GX-FU/GX-N  
**GX**

**I/O CIRCUIT AND WIRING DIAGRAMS**

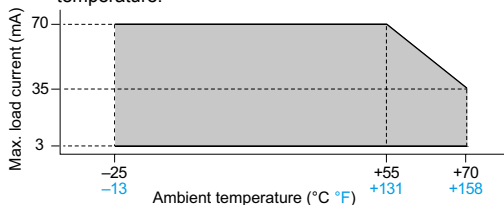
**GXL-8 type**

**I/O circuit diagram**

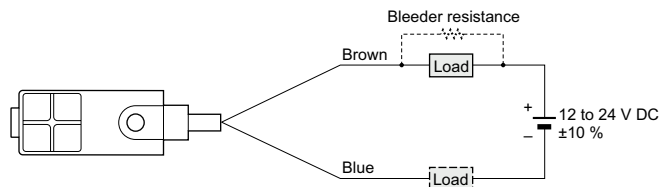


Symbols ... ZD: Surge absorption zener diode  
Tr: PNP output transistor

Note: The maximum load current varies depending on the ambient temperature.



**Wiring diagram**

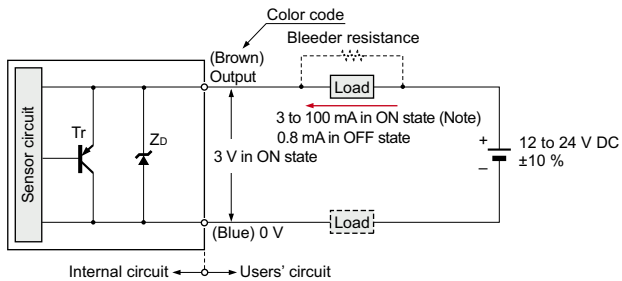


**Conditions for the load**

- 1) The load should not be actuated by the leakage current (0.8 mA) in the OFF state.
- 2) The load should be actuated by (supply voltage - 3 V) in the ON state.
- 3) The current in the ON state should be between 3 to 70 mA DC.  
[ In case the current is less than 3 mA, connect a bleeder resistance ] in parallel to the load so that a current of 3 mA, or more, flows.

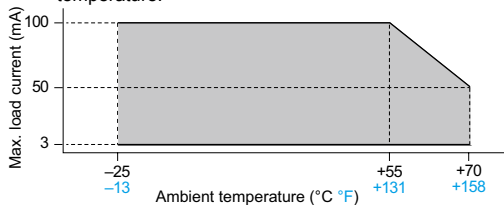
**GXL-15 type**

**I/O circuit diagram**

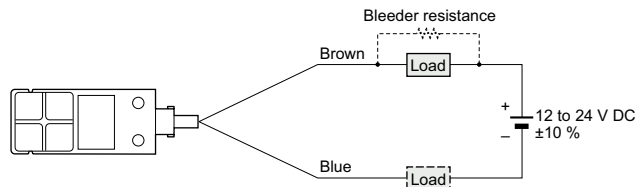


Symbols ... ZD: Surge absorption zener diode  
Tr: PNP output transistor

Note: The maximum load current varies depending on the ambient temperature.



**Wiring diagram**



**Conditions for the load**

- 1) The load should not be actuated by the leakage current (0.8 mA) in the OFF state.
- 2) The load should be actuated by (supply voltage - 3 V) in the ON state.
- 3) The current in the ON state should be between 3 to 100 mA DC.  
[ In case the current is less than 3 mA, connect a bleeder resistance ] in parallel to the load so that a current of 3 mA, or more, flows.

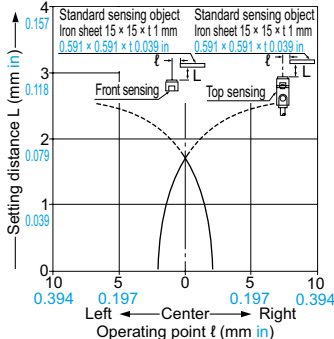
FIBER SENSORS  
LASER SENSORS  
PHOTO-ELECTRIC SENSORS  
MICRO PHOTO-ELECTRIC SENSORS  
AREA SENSORS  
SAFETY LIGHT CURTAINS / SAFETY COMPONENTS  
PRESSURE / FLOW SENSORS  
INDUCTIVE PROXIMITY SENSORS  
PARTICULAR USE SENSORS  
SENSOR OPTIONS  
SIMPLE WIRE-SAVING UNITS  
WIRE-SAVING SYSTEMS  
MEASUREMENT SENSORS  
STATIC CONTROL DEVICES  
LASER MARKERS  
PLC  
HUMAN MACHINE INTERFACES  
ENERGY MANAGEMENT SOLUTIONS  
FA COMPONENTS  
MACHINE VISION SYSTEMS  
UV CURING SYSTEMS  
Selection Guide  
Amplifier Built-in  
Amplifier-separated  
Other Products  
**GX-F/H**  
**GXL**  
**GL**  
**GX-M**  
GX-U/GX-FU/  
GX-N  
**GX**



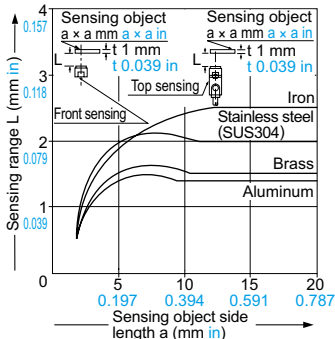
**SENSING CHARACTERISTICS (TYPICAL)**

**GXL-8 type**

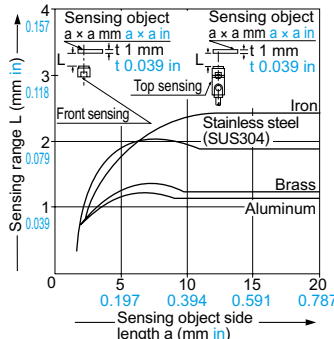
**Sensing field**



**Correlation between sensing object size and sensing range (DC 2-wire type)**



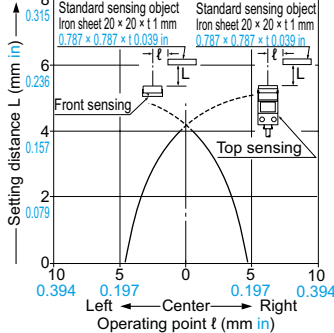
**Correlation between sensing object size and sensing range (NPN output type)**



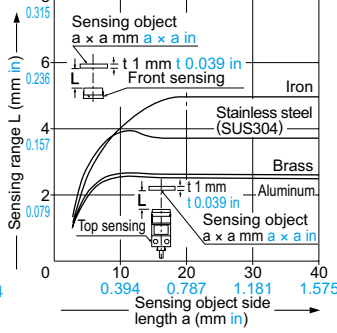
As the sensing object size becomes smaller than the standard size (iron sheet 15 × 15 × t 1 mm 0.591 × 0.591 × t 0.039 in), the sensing range shortens as shown in the left figures.

**GXL-15 (Standard) type**

**Sensing field**



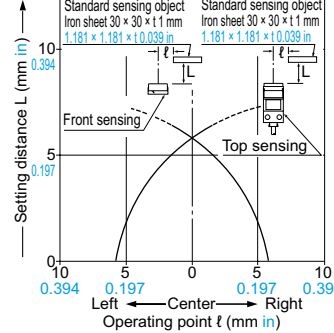
**Correlation between sensing object size and sensing range**



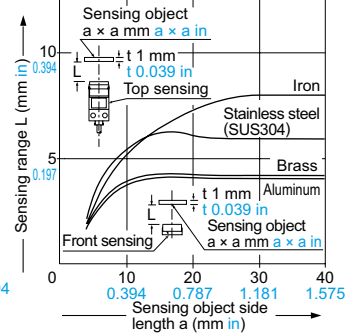
As the sensing object size becomes smaller than the standard size (iron sheet 20 × 20 × t 1 mm 0.787 × 0.787 × t 0.039 in), the sensing range shortens as shown above in the graph on the right.

**GXL-15 (Long sensing range) type**

**Sensing field**



**Correlation between sensing object size and sensing range**



As the sensing object size becomes smaller than the standard size (iron sheet 30 × 30 × t 1 mm 1.181 × 1.181 × t 0.039 in), the sensing range shortens as shown above in the graph on the right.

**PRECAUTIONS FOR PROPER USE**

Refer to p.1579~ for general precautions.



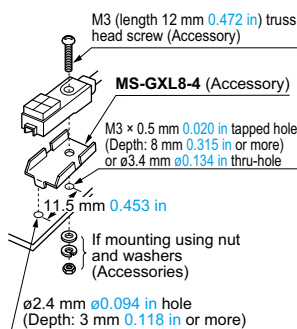
- Never use this product as a sensing device for personnel protection.
- In case of using sensing devices for personnel protection, use products which meet laws and standards, such as OSHA, ANSI or IEC etc., for personnel protection applicable in each region or country.

**Mounting**

**GXL-8 type**

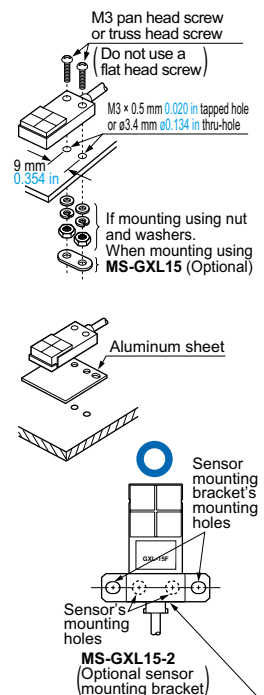
- The tightening torque should be 0.5 N·m or less.
- To mount the sensor with a nut, the thru-hole diameter should be  $\phi 3.4$  mm  $\phi 0.134$  in. With the attached mounting screw and nut, take care that the thickness of the mounting plate should be 2.3 mm 0.091 in or less.
- If a screw other than the attached screw is used, make sure to use a M3 truss head screw.

(Do not use a flat head screw or a pan head screw.)



**GXL-15 type**

- The tightening torque should be 1 N·m or less.
- To mount the sensor with the optional sensor mounting bracket **MS-GXL15**, the thru-hole diameter should be  $\phi 3.4$  mm  $\phi 0.134$  in.
- Screw, nut or washers are not supplied. Please arrange them separately.
- To mount the long sensing range type on a magnetic body, such as iron, the enclosed aluminum sheet, or any other aluminum sheet having a minimum size of 30 × 39.5 × t 0.3 mm 1.181 × 1.555 × t 0.012 in (GXL-15HLU type: 30 × 30 × t 0.3 mm 1.181 × 1.181 × t 0.012 in), should be inserted between the sensor and the magnetic body. However, it is not necessary to use the aluminum sheet when mounting on a non-magnetic body, such as, aluminum or an insulator.
- When mounting the inductive proximity sensor with the optional sensor mounting bracket **MS-GXL15-2**, if the bracket is mounted close to the sensing part, the bracket itself gets sensed and the operation becomes unstable. Make sure to mount such that the mounting holes of the sensor and those of the mounting bracket are in one horizontal straight line.



Selection Guide  
Amplifier Built-in  
Amplifier-separated  
Other Products

GX-F/H

GXL

GL

GX-M

GX-U/GX-FU/GX-N

GX

GX

GX

GX

GX

GX

GX

GX

GX

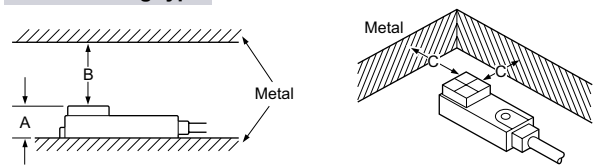
## PRECAUTIONS FOR PROPER USE

Refer to p.1579~ for general precautions.

### Influence of surrounding metal

- When there is a metal near the sensor, keep the minimum separation distance specified below.

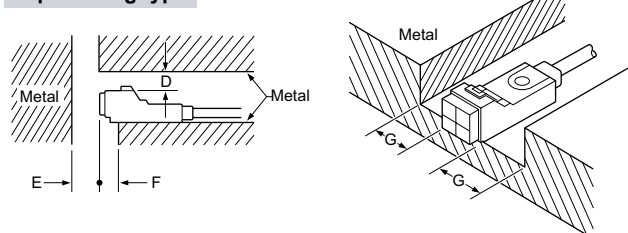
#### Front sensing type



	GXL-8F type	GXL-15FU type	GXL-15FLU type
A	7 mm 0.276 in	8 mm 0.315 in	8 mm 0.315 in (Note)
B	8 mm 0.315 in	20 mm 0.787 in	30 mm 1.181 in
C	3 mm 0.118 in	7 mm 0.276 in	10 mm 0.394 in

Note: The GXL-15FLU type should be mounted on an insulator or a non-magnetic body. To mount it on a magnetic body, such as iron, use the enclosed aluminum sheet.

#### Top sensing type



	GXL-8H type	GXL-15HU type	GXL-15HLU type
D	4 mm 0.157 in	6 mm 0.236 in	12 mm 0.472 in
E	10 mm 0.394 in	20 mm 0.787 in	30 mm 1.181 in
F	3 mm 0.118 in	0 mm 0 in	10 mm 0.394 in (Note)
G	3 mm 0.118 in	3 mm 0.118 in	10 mm 0.394 in

Note: When GXL-15HLU type is mounted on an insulator or a non-magnetic body, or seated on the enclosed aluminum sheet, the distance "F" can be zero.

### Mutual interference prevention

- When two or more sensors are installed in parallel or face to face, keep the minimum separation distance specified below to avoid mutual interference.

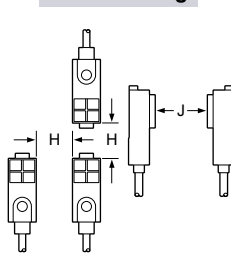
	H	J
GXL-8 type	Between "I" type and non "I" type	0 mm (Note 2) 0.591 in
	Between two "I" types or two non "I" types	18 mm 0.709 in 30 mm 1.181 in
GXL-15FU GXL-15HU type	Between "I" type and non "I" type	0 mm (Note 2) 0.984 in
	Between two "I" types or two non "I" types	30 mm 1.181 in 60 mm 2.362 in
GXL-15FLU GXL-15HLU type	Between "I" type and non "I" type	0 mm (Note 2) 0.984 in
	Between two "I" types or two non "I" types	75 mm 2.953 in 90 mm 3.543 in

Notes: 1) "I" in the model No. specifies the different frequency type.  
2) Close mounting is possible for up to two sensors.

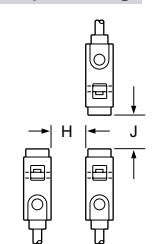
When mounting three sensors or more at an equal spacing, align the model with "I" and the model without "I" alternately. The minimum value of dimension "H" should be as given below.

GXL-8 type: 5 mm 0.1975 in,  
GXL-15FU/15HU type: 7.5 mm 0.295 in,  
GXL-15FLU/15HLU type: 30 mm 1.181 in

#### Front sensing



#### Top sensing



### Sensing range

- The sensing range is specified for the standard sensing object. With a non-ferrous metal, the sensing range is obtained by multiplying with the correction coefficient specified below. Further, the sensing range also changes if the sensing object is smaller than the standard sensing object or if the sensing object is plated.

#### Correction coefficient

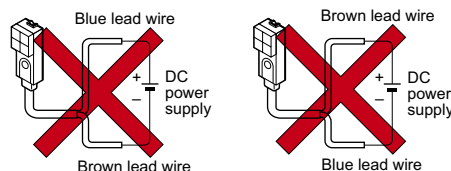
Model No.	GXL-8 type	GXL-15FU type	GXL-15HU GXL-15HLU type
Iron	1	1	1
Stainless steel (SUS304)	0.82 approx.	0.74 approx.	0.75 approx.
Brass	0.59 approx.	0.53 approx.	0.53 approx.
Aluminum	0.57 approx.	0.52 approx.	0.51 approx.

### Others

- Do not use during the initial transient time (50 ms) after the power supply is switched on.

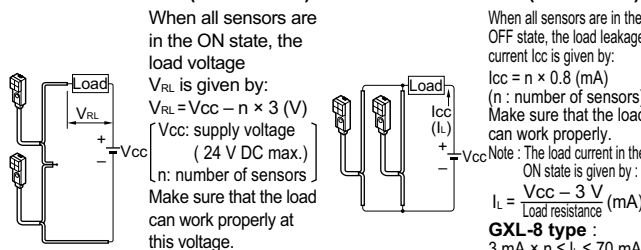
### Wiring

- The sensor must be connected to a power supply via a load. If the sensor is connected to a power supply without a load, the short-circuit protection makes the sensor inoperable. (The output stays in the OFF state and the indicator does not light up.) In this case, rectify by connecting the power supply via a load. Now, the sensor becomes operable. Further, take care that if the power supply is connected with reverse polarity without a load, the sensor will get damaged.



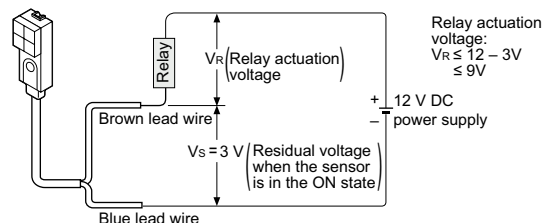
- For series connection (AND circuit) or parallel connection (OR circuit) of sensors, take care of the following.

#### Series connection (AND circuit) Parallel connection (OR circuit)



Note: The output is generated normally even if the indicator does not light up properly.

- The residual voltage of the sensor is 3 V. Before connecting a relay at the load, take care of its actuation voltage. (Some 12 V relays may not be usable.)



FIBER SENSORS

LASER SENSORS

PHOTO-ELECTRIC SENSORS

MICRO PHOTO-ELECTRIC SENSORS

AREA SENSORS

SAFETY LIGHT CURTAINS / SAFETY COMPONENTS

PRESSURE / FLOW SENSORS

INDUCTIVE PROXIMITY SENSORS

PARTICULAR USE SENSORS

SENSOR OPTIONS

SIMPLE WIRE-SAVING UNITS

WIRE-SAVING SYSTEMS

MEASUREMENT SENSORS

STATIC CONTROL DEVICES

LASER MARKERS

PLC

HUMAN MACHINE INTERFACES

ENERGY MANAGEMENT SOLUTIONS

FA COMPONENTS

MACHINE VISION SYSTEMS

UV CURING SYSTEMS

Selection Guide

Amplifier Built-in

Amplifier-separated

Other Products

GX-F/H

GXL

GL

GX-M

GX-U/GX-FU/GX-N

GX



- FIBER SENSORS
- LASER SENSORS
- PHOTO-ELECTRIC SENSORS
- MICRO PHOTO-ELECTRIC SENSORS
- AREA SENSORS
- SAFETY LIGHT CURTAINS / SAFETY COMPONENTS
- PRESSURE / FLOW SENSORS
- INDUCTIVE PROXIMITY SENSORS
- PARTICULAR USE SENSORS
- SENSOR OPTIONS
- SIMPLE WIRE-SAVING UNITS
- WIRE-SAVING SYSTEMS
- MEASUREMENT SENSORS
- STATIC CONTROL DEVICES
- LASER MARKERS
- PLC
- HUMAN MACHINE INTERFACES
- ENERGY MANAGEMENT SOLUTIONS
- FA COMPONENTS
- MACHINE VISION SYSTEMS
- UV CURING SYSTEMS

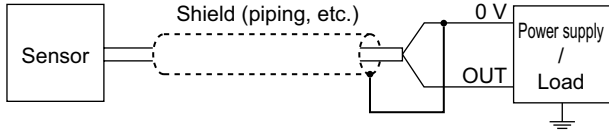
Refer to p.1579~ for general precautions.

## PRECAUTIONS FOR PROPER USE

### Use conditions to comply with CE Marking

- Following work must be done in case of using this product as a CE Marking (European standard EMC Directive) conforming product.

Ensure that the shield is connected to 0 V.



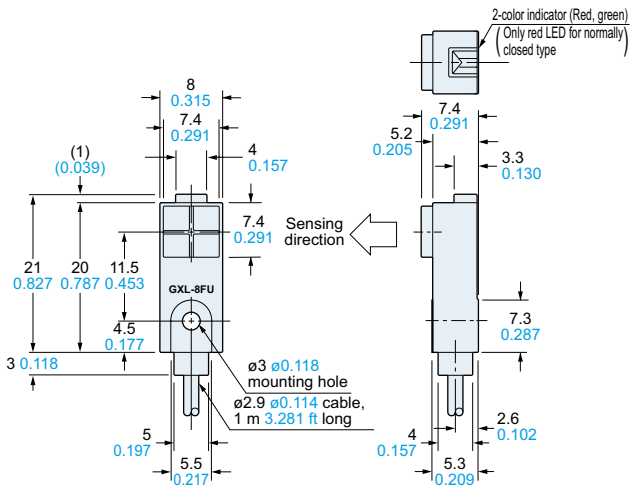
Note: The shield (piping, etc.) must be insulated.

## DIMENSIONS (Unit: mm in)

The CAD data can be downloaded from our website.

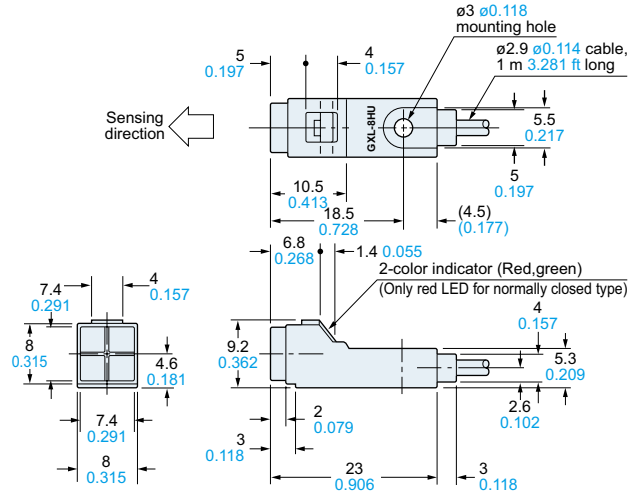
### GXL-8FU type

Sensor



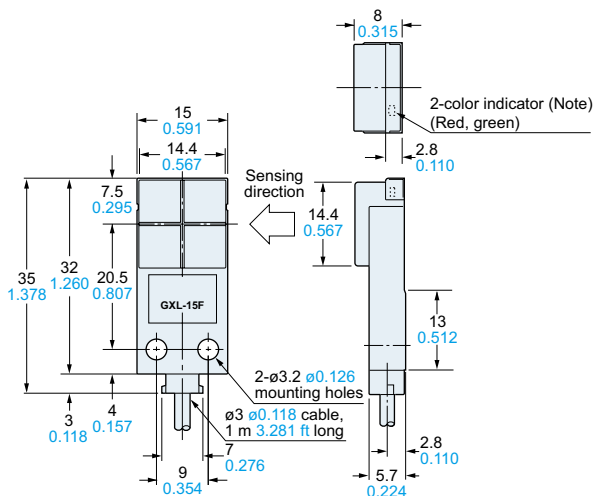
### GXL-8HU type

Sensor



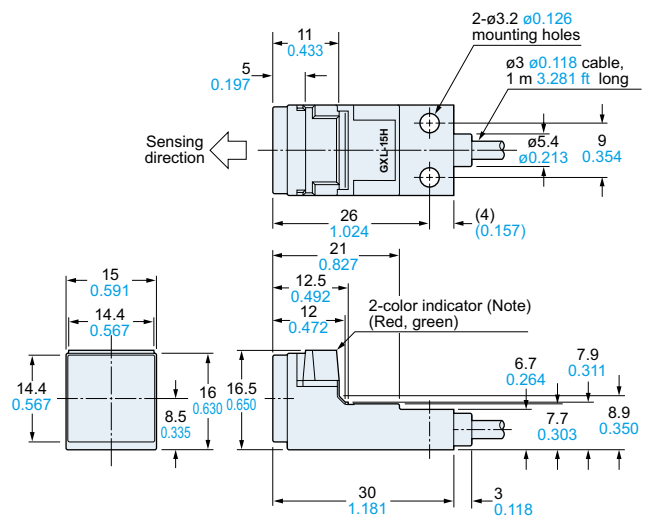
### GXL-15F type

Sensor



### GXL-15H type

Sensor



Note: Normally closed type have an operation indicator (red) instead of the 2-color indicator.

Note: Normally closed type have an operation indicator (red) instead of the 2-color indicator.

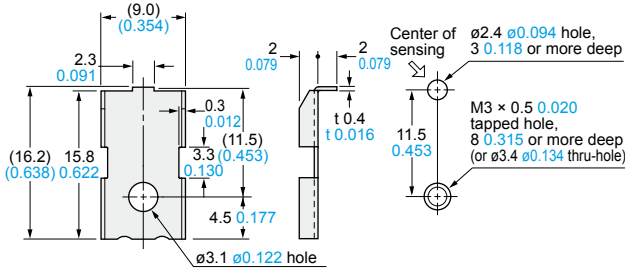
- Selection Guide
- Amplifier Built-in
- Amplifier-separated
- Other Products
- GX-F/H
- GXL
- GL
- GX-M
- GX-U/GX-FU/GX-N
- GX

**DIMENSIONS (Unit: mm in)**

The CAD data can be downloaded from our website.

**MS-GXL8-4** Sensor mounting bracket for GXL-8FU / GXL-8HU type (Accessory)

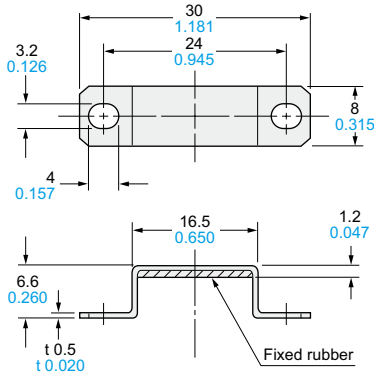
**Mounting hole dimensions**



Material: Stainless steel (SUS304)

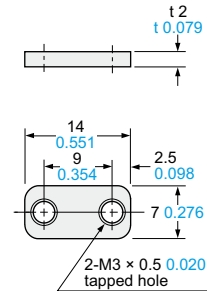
1 pc. each of M3 (length 12 mm 0.472 in) truss head screw, nut, spring washer and plain washer is attached.

**MS-GXL15-2** Sensor mounting bracket for GXL-15F type (Optional)



Material: Bracket ... Stainless steel (SUS304)  
Fixed rubber ... FKM (Fluorine rubber)

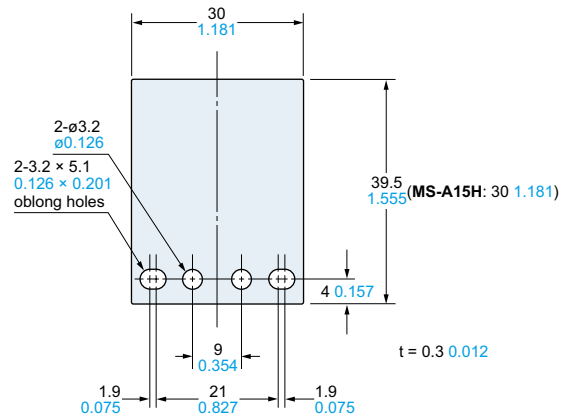
**MS-GXL15** Sensor mounting bracket for GXL-15 type (Optional)



Material: Cold rolled carbon steel (SPCC)

**MS-A15F MS-A15H** Aluminum sheet

(Accessory for GXL-15FLU / GXL-15HLU type)



- FIBER SENSORS
- LASER SENSORS
- PHOTO-ELECTRIC SENSORS
- MICRO PHOTO-ELECTRIC SENSORS
- AREA SENSORS
- SAFETY LIGHT CURTAINS / SAFETY COMPONENTS
- PRESSURE / FLOW SENSORS
- INDUCTIVE PROXIMITY SENSORS
- PARTICULAR USE SENSORS
- SENSOR OPTIONS
- SIMPLE WIRE-SAVING UNITS
- WIRE-SAVING SYSTEMS
- MEASUREMENT SENSORS
- STATIC CONTROL DEVICES
- LASER MARKERS
- PLC
- HUMAN MACHINE INTERFACES
- ENERGY MANAGEMENT SOLUTIONS
- FA COMPONENTS
- MACHINE VISION SYSTEMS
- UV CURING SYSTEMS
- Selection Guide
- Amplifier Built-in
- Amplifier-separated
- Other Products
- GX-F/H**
- GXL**
- GL**
- GX-M**
- GX-U/GX-FU / GX-N
- GX**