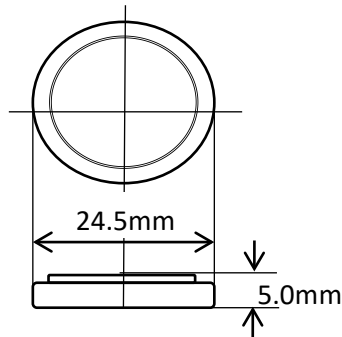


CR2450B

CR Coin-Type Lithium Primary Battery (High temperature model)

Features & Benefits

- Excellent durability under high temperature conditions (up to 105°C) allows various devices such as automotive electrical components and outdoor devices to be used under severe environments.
- Superior pulse discharging characteristics even at low temperatures and can be used in a wide operating temperature.
- Excellent long-term reliability enables safe and long-term use.



Applications

TPMS, ETC, Meters, Others

Nominal voltage		3V
Nominal capacity		560mAh
Continuous drain		0.2mA
Dimensions*¹	Diameter(Max.)	24.5mm
	Height(Max.)	5.0mm
Weight*¹		Approx. 6.2g
Operating temperature		-40°C to +105°C

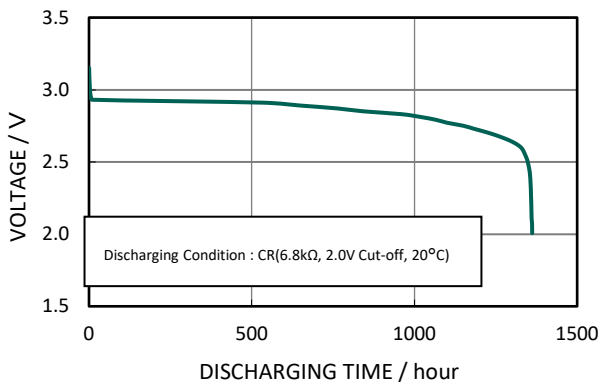
*¹ Without tabs.

Terminal types

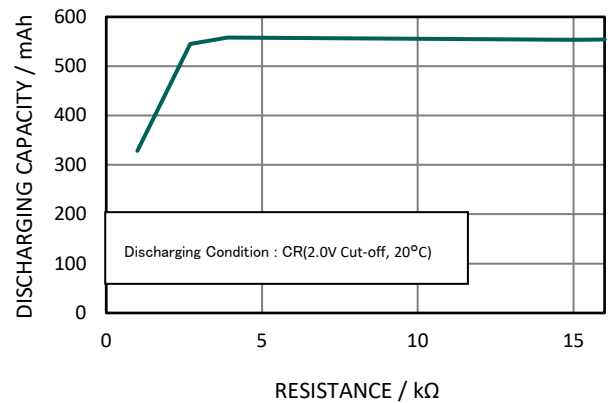
Please see the documents for the terminal and lead wire settings.

- [Line up of tab terminal types\(by shape\)](#)
- [Line up of tab terminal types\(by product number\)](#)

Discharging Characteristics



Continuous Discharging Characteristics



WARNING

Serious harm in as little as 2-hours if swallowed. KEEP AWAY FROM CHILDREN. Seek immediate medical help if swallowed. Have the doctor call the poison center at 1-(800) 498 8666 for US and Canada. International: 303-389-1300

Product manufacturers should design their products to meet the safety requirements of Annex I of UL60065 or equivalent standards.

Panasonic Energy Co., Ltd.

For more information on how Panasonic can assist you with your battery power solution needs call 877-726-2228, visit www.na.industrial.panasonic.com/products/batteries or e-mail oembatteries@us.panasonic.com.

As of April, 2022. Panasonic offers batteries with tabs or lead wires. This data in this document is for descriptive purposes only and is not intended to make or imply any guarantee or warranty. The contents of this product information are subject to change without notice.

