
 TECHNICAL DATA SHEET

ABB cable glands – ISR series

Industrial strain relief



Increased safety cable gland for use in ordinary and hazardous locations, including marine. Meets 100% of the IEC pullout requirements.

Certifications / Standards:


Metric is not UL listed



NB suffix not covered by ABS

Features & Benefits:

- High pullout force
- Robust metallic construction
- Wide interface seal
- Wide clamping range
- Compact construction

Applications:

- Hazardous and industrial sites
 - Class I Div 2 and Class II Div 1 locations
 - Ex eb and Ex ta Zones area
- Extreme temperatures environments
- Physically demanding applications
- Suitable for cable types:
 - Non-armoured
 - Portable
 - Tray

Material:

- Copper free aluminium (Stainless Steel 316L and Nickel plated Brass available)
- Silicone seal bushing
- Glass filled nylon and TPE grip

Environmental ratings:
Working Temperature:

- Approved: -50 to +110°C (-58 to +230°F)

Ingress protection:

To ensure ingress protection, use suitable gasket and lock nut when required.

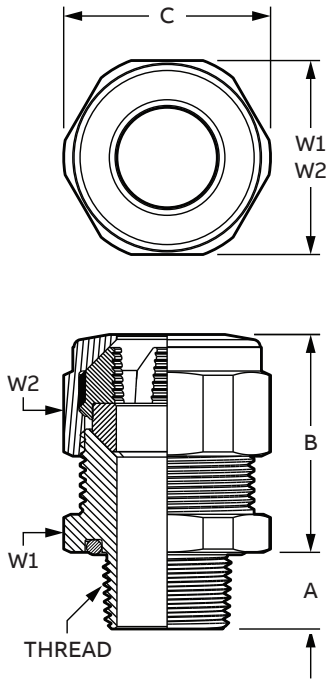
- IP66
- Type 4X

Chemical resistance guide:

- See publication TDS000081

Conforms to:

- RoHS (Restriction of Hazardous Substances Directive) 2011/65/EU Incorporating 2015/863 amendment to Annex II
- ATEX (Equipment for Explosive Atmospheres Directive) 2014/34/EU
- CSA C22.2/IEC/EN 60079-0, 60079-7, 60079-31
 - Ex II 1D 2G
 - Ex eb IIC Gb
 - Ex ta IIIC Da
- UL2225
 - Class I Zone 1 AEx e IIC Zone 20 AEx ta
- CSA C22.2-25
 - Class I DIV2 ABCD Class II DIV1 EFG Class III DIV1
- UL514B /CSA C22.2-18.3
 - Wet and Dry Locations



Product selection

Part no:	Thread (NPT)	Cable range			Nominal dimensions			
		Min	Max	A	B	C	W1	W2
ISR050-053	1/2	8.26 (0.325)	13.34 (0.525)	15.75 (0.620)	41.91 (1.650)	34.29 (1.350)	31.75 (1.250)	31.75 (1.250)
ISR050-062	1/2	10.80 (0.425)	15.75 (0.620)	15.75 (0.620)	42.75 (1.683)	38.10 (1.500)	34.93 (1.375)	34.93 (1.375)
ISR075-062	3/4	10.80 (0.425)	15.75 (0.620)	16.00 (0.630)	42.75 (1.683)	41.28 (1.625)	38.10 (1.500)	38.10 (1.500)
ISR075-082	3/4	14.86 (0.585)	20.70 (0.815)	16.00 (0.630)	45.47 (1.790)	43.18 (1.700)	40.49 (1.594)	40.49 (1.594)
ISR100-102	1	19.94 (0.785)	26.04 (1.025)	19.94 (0.785)	46.18 (1.818)	48.26 (1.900)	44.70 (1.760)	44.70 (1.760)
ISR125-122	1-1/4	25.02 (0.985)	30.86 (1.215)	20.57 (0.810)	50.62 (1.993)	58.93 (2.320)	55.63 (2.190)	55.63 (2.190)
ISR125-137	1-1/4	30.10 (1.185)	34.80 (1.370)	20.57 (0.810)	48.72 (1.918)	58.93 (2.320)	55.63 (2.190)	55.63 (2.190)
ISR150-156	1-1/2	33.91 (1.335)	39.37 (1.550)	20.96 (0.825)	49.40 (1.945)	65.53 (2.580)	60.33 (2.375)	60.33 (2.375)
ISR200-179	2	38.74 (1.525)	45.34 (1.785)	21.84 (0.860)	51.23 (2.017)	76.50 (3.012)	72.85 (2.868)	72.85 (2.868)
ISR200-206	2	44.58 (1.755)	52.20 (2.055)	21.84 (0.860)	51.05 (2.010)	81.28 (3.200)	76.20 (3.000)	76.20 (3.000)

Product selection

Part no:	Thread (metric)	Cable range			Nominal dimensions			
		Min	Max	A	B	C	W1	W2
ISRM20-13	M20x1.5	8.25 (0.325)	13.34 (0.525)	16.00 (0.630)	41.91 (1.650)	34.29 (1.350)	31.75 (1.250)	31.75 (1.250)
ISRM20-15	M20x1.5	10.79 (0.425)	15.00 (0.591)	16.00 (0.630)	42.75 (1.683)	38.10 (1.500)	34.93 (1.375)	34.93 (1.375)
ISRM25-15	M25x1.5	10.79 (0.425)	15.75 (0.620)	18.00 (0.709)	42.75 (1.683)	41.28 (1.625)	38.10 (1.500)	38.10 (1.500)
ISRM25-20	M25x1.5	14.86 (0.585)	20.07 (0.790)	18.00 (0.709)	45.47 (1.790)	43.18 (1.700)	40.49 (1.594)	40.49 (1.594)
ISRM32-26	M32x1.5	19.94 (0.785)	26.04 (1.025)	18.00 (0.709)	46.18 (1.818)	48.26 (1.900)	44.45 (1.750)	44.45 (1.750)
ISRM40-31	M40x1.5	25.02 (0.985)	30.86 (1.215)	18.00 (0.709)	50.62 (1.993)	58.93 (2.320)	55.63 (2.190)	55.63 (2.190)
ISRM40-35	M40x1.5	30.10 (1.185)	34.80 (1.370)	18.00 (0.709)	48.72 (1.918)	58.93 (2.320)	55.63 (2.190)	55.63 (2.190)
ISRM50-39	M50x1.5	33.91 (1.335)	39.37 (1.550)	18.00 (0.709)	49.40 (1.945)	65.53 (2.580)	60.33 (2.375)	60.33 (2.375)
ISRM63-45	M63x1.5	38.73 (1.525)	45.34 (1.785)	20.00 (0.787)	51.23 (2.017)	81.28 (3.200)	76.20 (3.000)	72.85 (2.868)
ISRM63-52	M63x1.5	44.58 (1.755)	52.20 (2.055)	20.00 (0.787)	51.05 (2.010)	81.28 (3.200)	76.20 (3.000)	76.20 (3.000)

Add suffix "SS" to order stainless steel versions. E.g. ISRM20-13SS
 Add Suffix "NB" to order Nickel plated brass versions. E.g. ISRM20-13NB
 Bold numbers are metric, parenthesis numbers are inches.

Note: Product must be installed in accordance with applicable national and local electrical codes.

ABB Installation Products Inc.
 Memphis, Tennessee
 tnb.abb.com
 USA

We reserve the right to make technical changes or modify the contents of this document without prior notice. With regard to purchase orders, the agreed particulars shall prevail. ABB Installation Products Inc. (Formerly Thomas & Betts Corp.) does not accept any responsibility whatsoever for potential errors or possible lack of information in this document.

We reserve all rights in this document and in the subject matter and illustrations contained therein. Any reproduction – in whole or in part – is forbidden without prior written consent of ABB Installation Products Inc. Copyright© 2019 ABB Installation Products Inc. All rights reserved.

