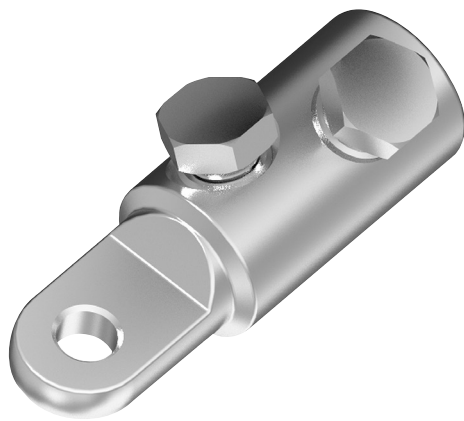


Mechanical lugs for separable connectors

for connection of conductors with MV electrical equipment



Features & benefits

- Bolt heads shears off at the correct torque thus reducing human error
- Leaves a smooth finish, no sharp edges
- Simplified installation, no special tool necessary
- Compatible with both aluminium and copper conductors
- Increased clamping area results in a tighter, more secure connection
- Pre-lubricated bolts
- Special design with grooves for improved contact
- Quick to install thus saves time and resources

Material

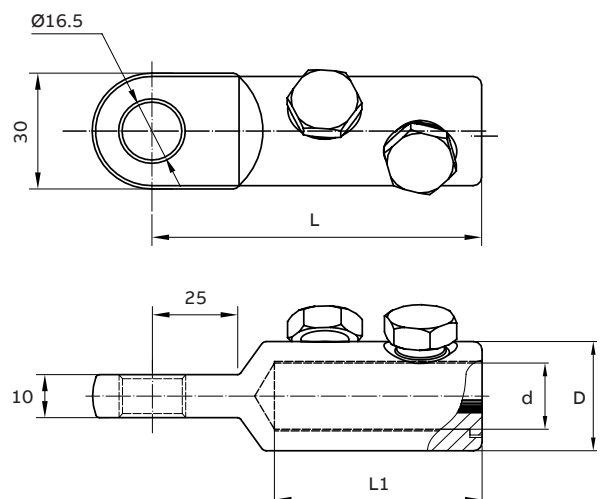
- Body: High strength aluminium alloy
- Bolts: Aluminium alloy
- Surface: Tin plated

Product information

Part no.	AL or CU (mm ²)			Outer diameter (mm)	No. of bolts	Shear-off torque (N.m)	Wrench size
	Round stranded	Sector stranded	Round solid				
SBSAA1CG24AA	25-95	25-70	25-95	24	1	17	13
SBSAA2FL33AA	70-240	70-185	70-240	33	2	36	19
SBSAA2HM38AA	120-300	120-240	120-300	38	2	40	22

Part no.	Dimensions (mm)			
	L	L1	D	d
SBSAA1CG24AA	64.5	33.8	24	13.3
SBSAA2FL33AA	96.5	61.3	33	20
SBSAA2HM38AA	99.5	65.3	38	24

Dimensions



We reserve the right to make technical changes or modify the contents of this document without prior notice. With regard to purchase orders, the agreed particulars shall prevail. ABB AG does not accept any responsibility whatsoever for potential errors or possible lack of information in this document.

We reserve all rights in this document and in the subject matter and illustrations contained therein. Any reproduction, disclosure to third parties or utilisation of its contents – in whole or in parts – is forbidden without prior written consent of ABB AG.
Copyright © 2024 ABB
All rights reserved