



# Microstar Ultra-HT

## Miniature Photocell

### Key Features

- Very low power consumption
- Filtered silicon photodiode
- Microprocessor based photo-electronic control
- Accurate switching
- 'Zero crossover voltage' switching
- Durable, polycarbonate casing
- Suitable for use with LED, halogen or discharge lighting

### Applications

- Roadway lighting
- Vandal resistant street lighting
- Aesthetic/architectural lighting
- High bay lighting
- Floodlighting/car park lighting

**The Microstar Ultra-HT miniature photocell is specifically designed to deliver optimal performance and accuracy in installations where the lamp unit and photocell may be exposed to higher ambient temperatures.**

Comprising a filtered silicon photodiode and control circuitry housed in a miniature polycarbonate casing, this photocell is ideal for use in street lighting and other applications where space is limited, or where aesthetics or vandal resistance dictate the need for a miniature cell.

Delivering highly accurate switching, the Microstar Ultra-HT's effective microprocessor control ensures long lasting reliability with low power consumption, for installations where performance cannot be compromised.

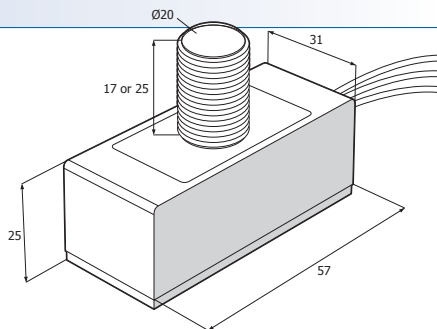


# Microstar Ultra-HT Miniature Photocell

## Technical Specification

Specification	Description
Sensor type	Filtered silicon photodiode
Sensor control	Microprocessor
Standard switching level	70 lux 'On', 35 lux 'Off'. Alternative settings can be factory pre-programmed on request
Switching differential	1:0.5
Operating voltage range	220-270 Vac, 50/60 Hz
Maximum lamp load	3 x 400 W inductive (96 µF), 10 A
Power consumption	< 0.25 W
Operating temperature range	-40 °C to +80 °C
Ingress protection	IP65 (lens), IP54 (casing)
Alternative switching levels	Factory pre-programmable to meet customer requirements
Options	Positive switching differential, with optional switching levels factory pre-programmable to suit customer requirements 300 mm lead length (other lengths to order)
Approvals	RoHS compliant. CE marked and compliant with EMC emission and immunity standards Designed to meet the requirements for UMSUG code 95 0000 0000 100
Dimensions L x W x D	57 x 31 x 25 mm Lens diameter 20 mm Lens projection 17 or 25 mm

For product order codes or to discuss project requirements, please contact Thomas & Betts or your local representative.



Royce Thompson is the leading photo-electronic lighting controls brand from Thomas & Betts, supporting the street and amenity lighting industry since 1963.

Continuous focus on the provision of high quality, innovative products to the market ensures Royce Thompson photocells offer the best in low energy consumption, reliability and long life - helping you, the customer, achieve optimum performance whilst keeping your carbon footprint to a minimum.



## Product selection

Product	Microstar Ultra-HT
Description	One part miniature photocell

Individual product order codes subject to final product specification. Codes can be supplied on request from Thomas & Betts. To discuss project requirements, please contact your local representative or Thomas & Betts on (0)113 281 0600.

Warranty of all Royce Thompson products is subject to the standard Thomas & Betts terms & conditions of sale.



FM09470

### Thomas & Betts Ltd

Royce Thompson  
Bruncliffe Lane  
Leeds  
West Yorkshire LS27 9LL

Tel: +44 (0)113 281 0600  
Fax: +44 (0)113 281 0611  
roycethompson@tnb.com  
www.roycethompson.com