

ReliaGear™ neXT Panelboard

Assembly Instructions - Stocked ReliaGear neXT Power Panels

WARNING

Danger of electrical shock or injury. Turn OFF power ahead of the panel board or switchboard before working inside the equipment or removing any component. Equipment is to be installed and maintained by properly trained and qualified personnel only.

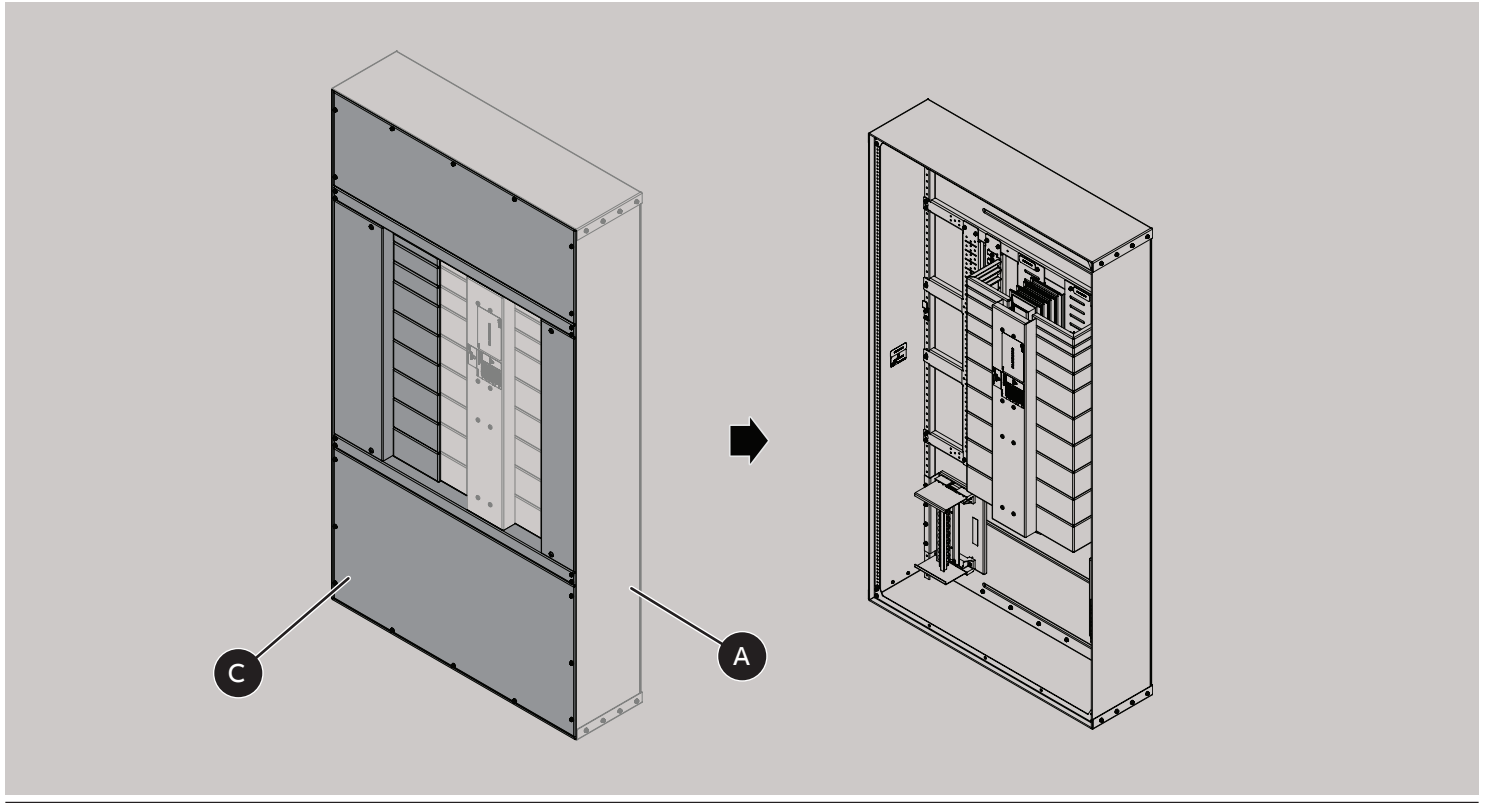


A		1X	
B		1X	
C		1X	
D		1X	
E		1X	

All breakers to be purchased separately.
ReliaGear neXT catalog: 15QC900001C0201.

1

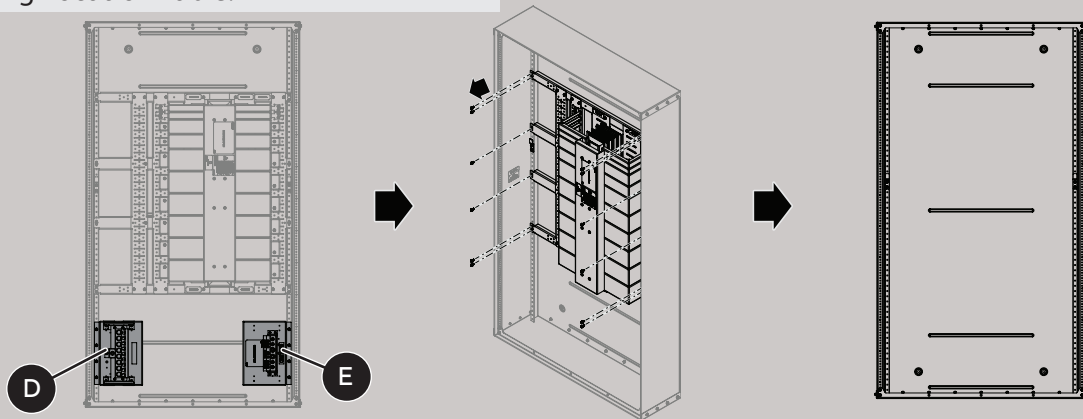
Remove fronts/gutters/fillers from enclosure



2

Remove neutral and ground to access mounting holes

For 84"H panels, remove interior to access mounting holes. If top feed is required, remove interior and install per mounting requirements in Mounting Location Table.



	Bottom Fed			Top Fed*		
	16X Bus	24X Bus	32X Bus	16X Bus	24X Bus	32X Bus
Horiz. Breaker (400A-1200A)	14 (13.5")			21 (20.5")	22 (21.5")	23 (22.5")
Main Lug (400A-1200A)	14 (13.5")			21 (20.5")	22 (21.5")	23 (22.5")

All panels shipped in the bottom fed orientation. If top fed is required, use mounting positions shown here in order to re-use fronts.

Mount enclosure to wall
NEMA 1 and 2 enclosure to wall mounting

Enclosure mounting holes
Plate hole distance from edges

Height	Holes	A	B	C
60"	4	5"	N/A	8"
72"	4	5"	N/A	8"
84"	6	5"	42"	8"
96"	6	5"	48"	8"

Mount enclosure to wall
Hanger brackets Re-installation

540 lb-in (61 Nm)

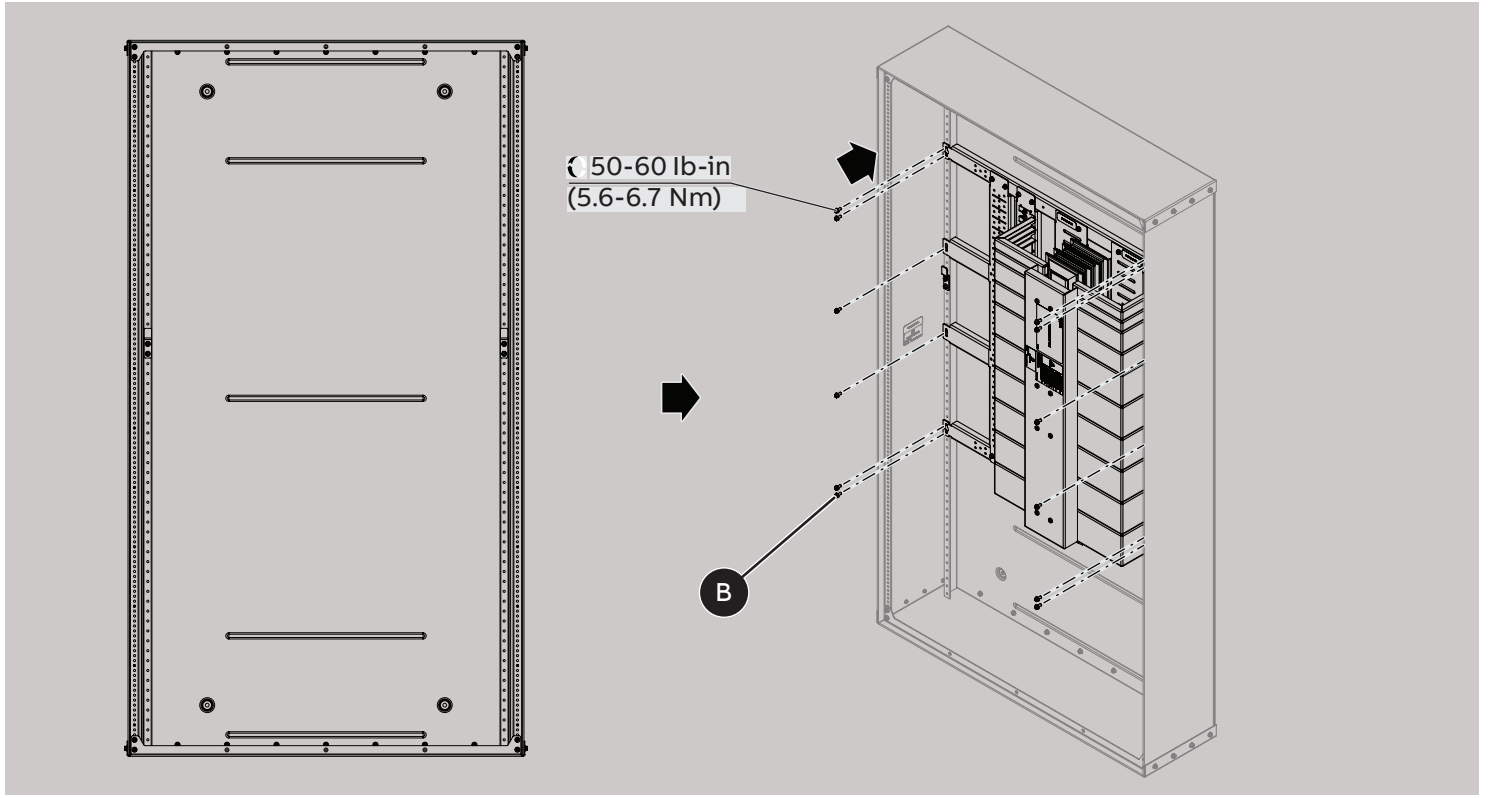
Table 1.

ENCLOSURE EXTERIOR SIZE (IN)	DIMENSION A (IN)	DIMENSION B (IN)
30 (33.5) W x 60 (61.0) H	65.97	24.47
30 (33.5) W x 72 (73.0) H	77.97	24.47
30 (33.5) W x 84 (85.0) H	89.97	24.47
30 (33.5) W x 96 (97.0) H	101.97	24.47
40 (43.5) W x 60 (61.0) H	65.97	34.47
40 (43.5) W x 72 (73.0) H	77.97	34.47
40 (43.5) W x 84 (85.0) H	89.97	34.47
40 (43.5) W x 96 (97.0) H	101.97	34.47
45 (48.5) W x 60 (61.0) H	65.97	39.47
45 (48.5) W x 72 (73.0) H	77.97	39.47
45 (48.5) W x 84 (85.0) H	89.97	39.47
45 (48.5) W x 96 (97.0) H	101.97	39.47

REFER TABLE 1

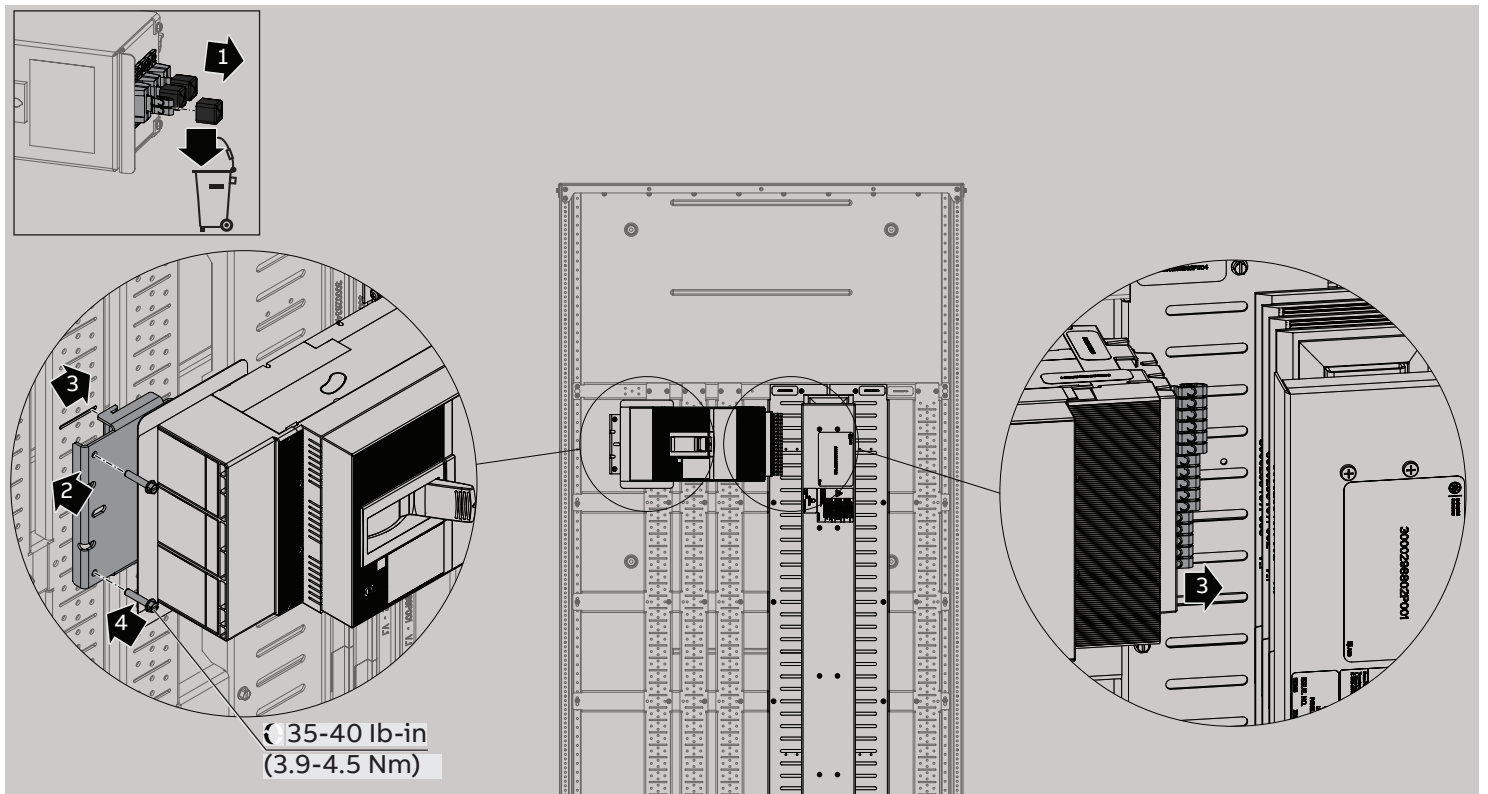
Note: Values in parentheses are overall enclosure dimensions.

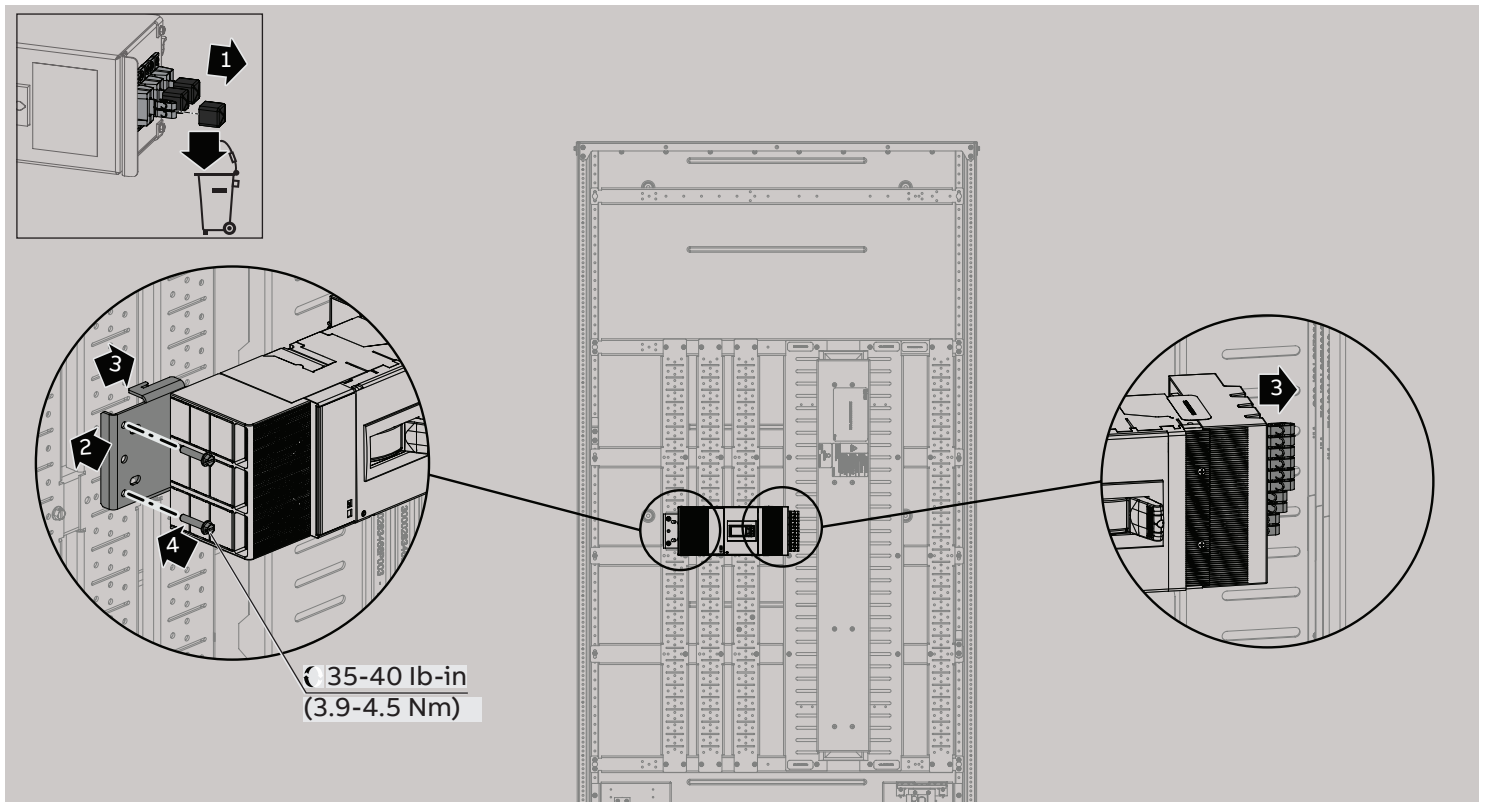
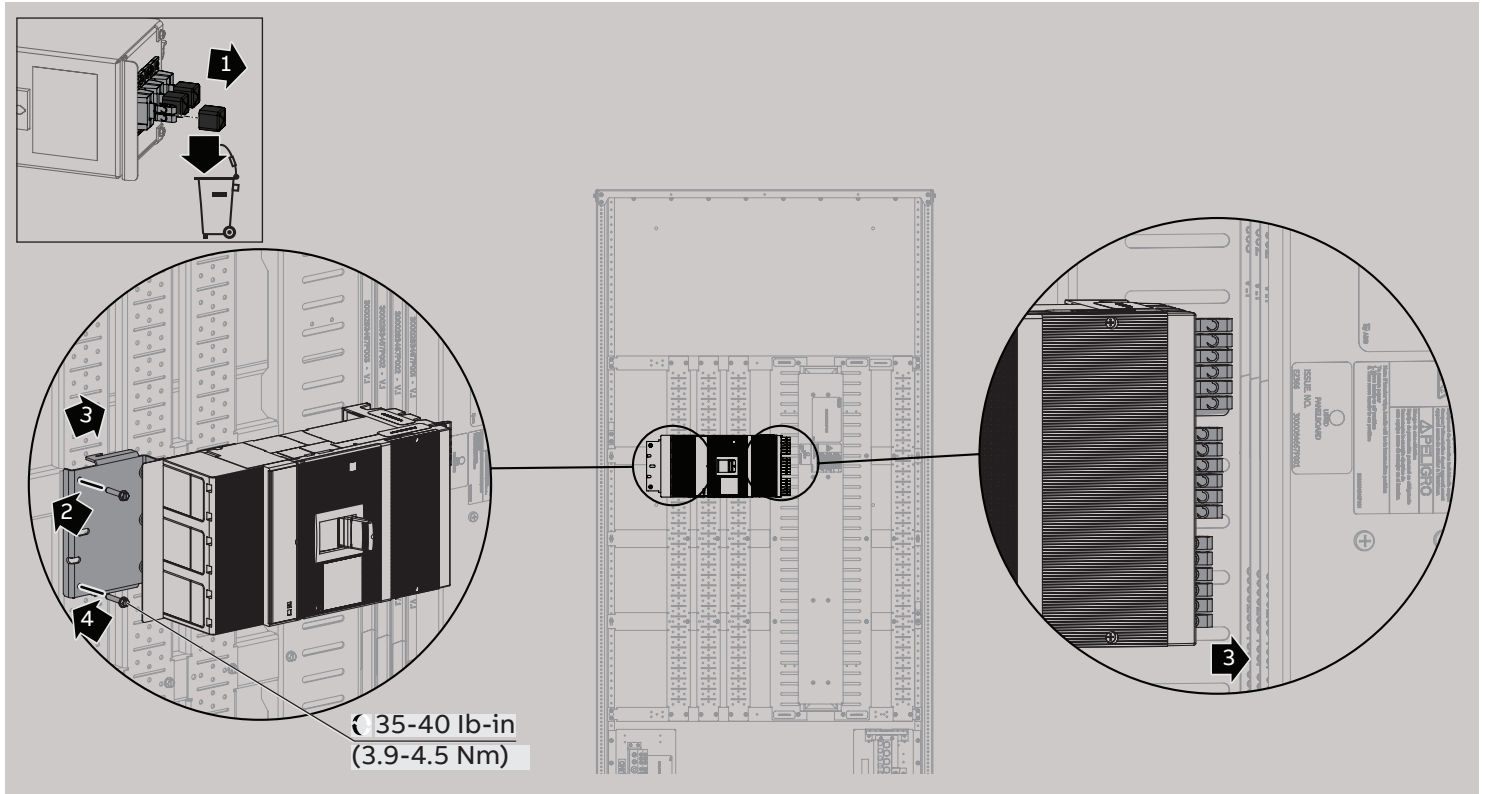
Reinstall interior (if needed)

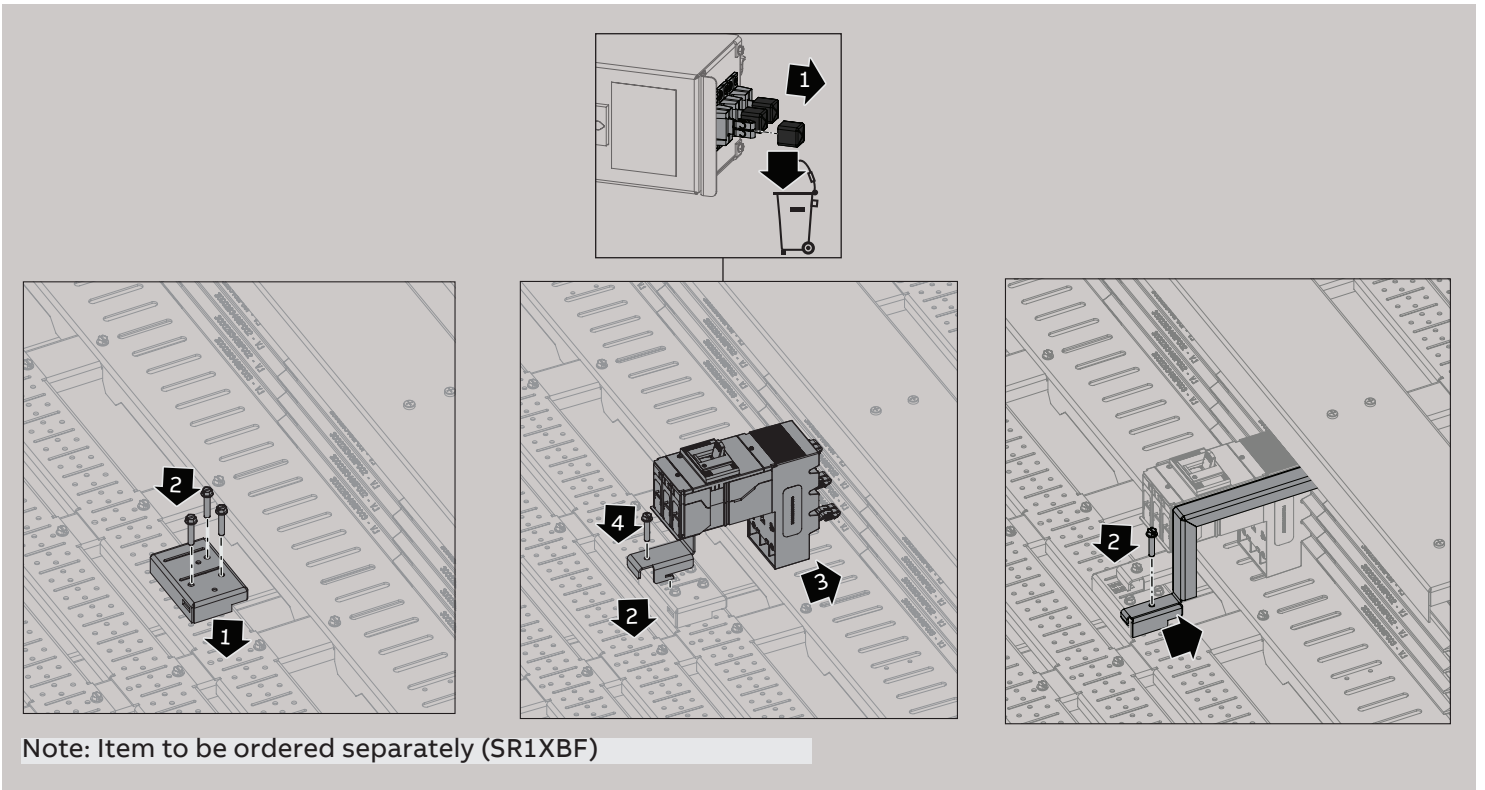
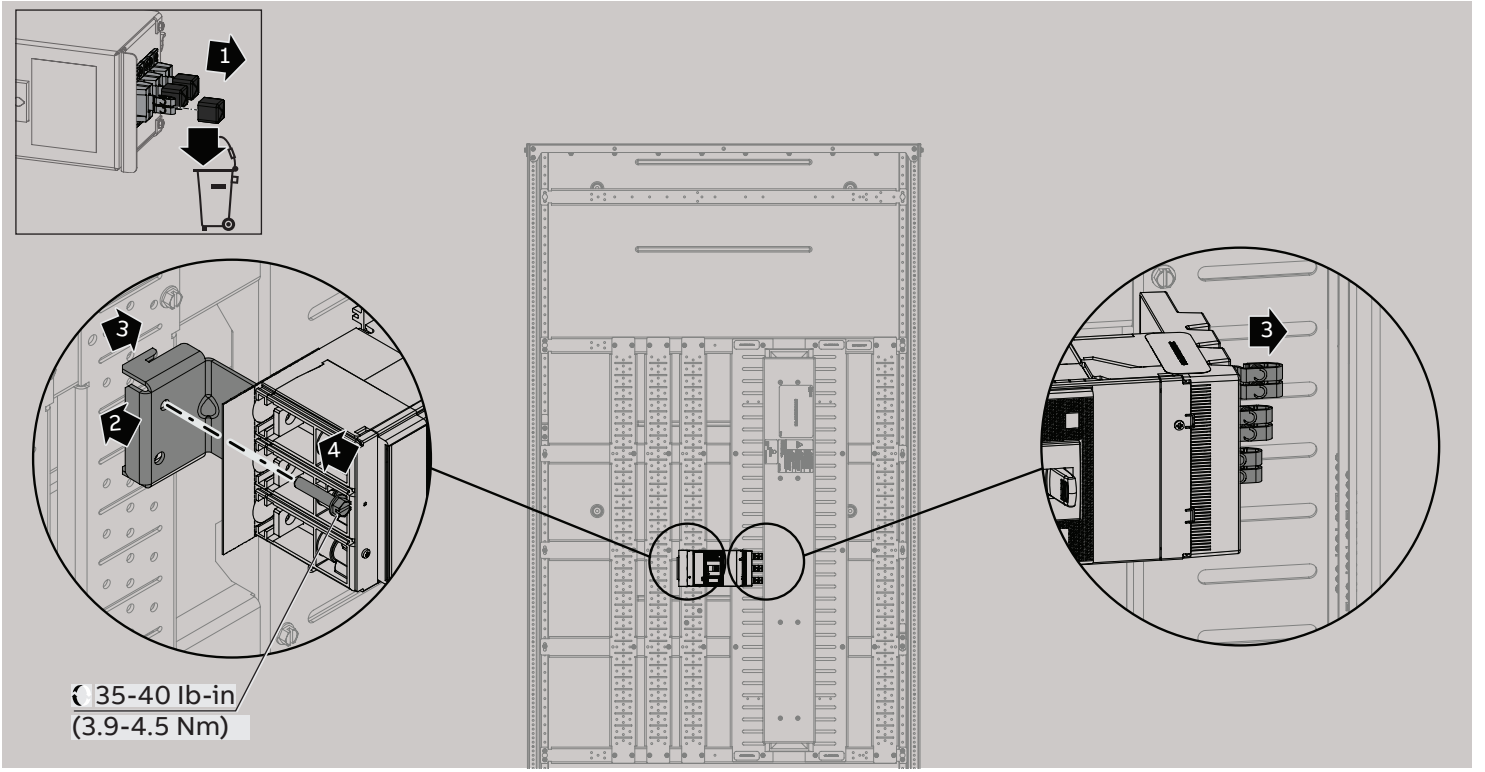


Note: Blanks should be removed as needed and required breakers should be installed.

Horizontal main/feeder installation - XT7

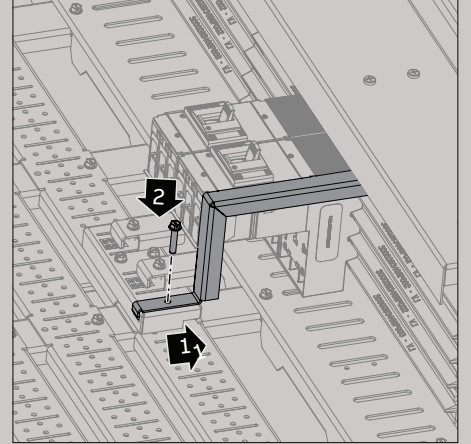
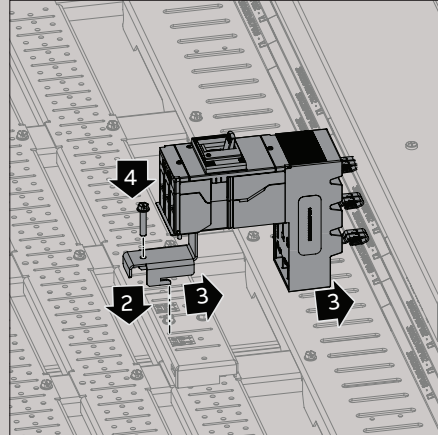
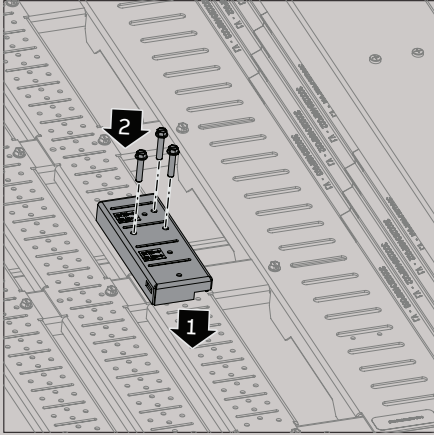
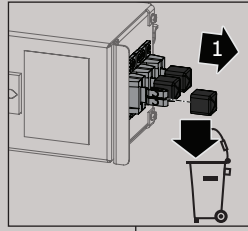






11

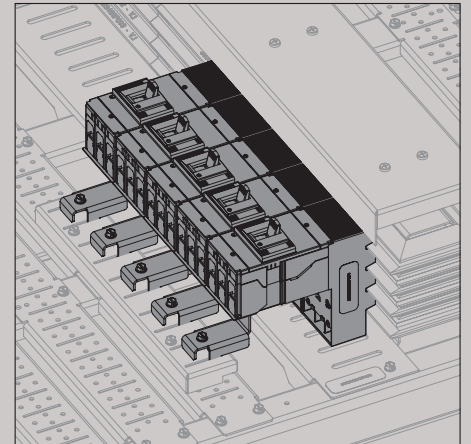
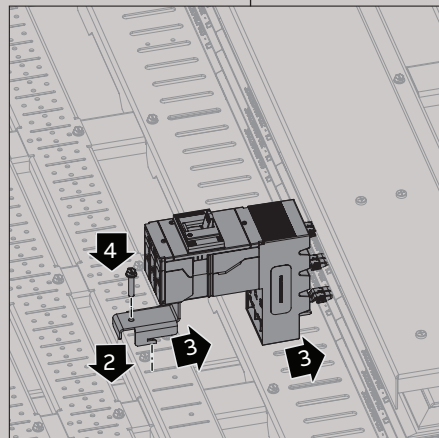
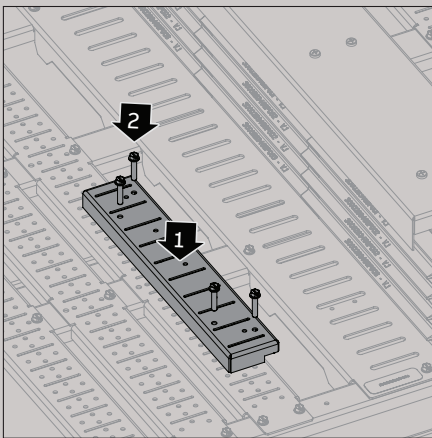
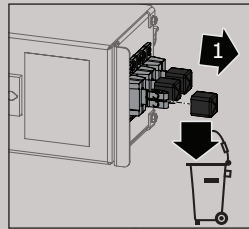
Horizontal feeder installation - XT1, group mounting of 2 adjacent breakers



Note: Item to be ordered separately (SR2XBF)

12

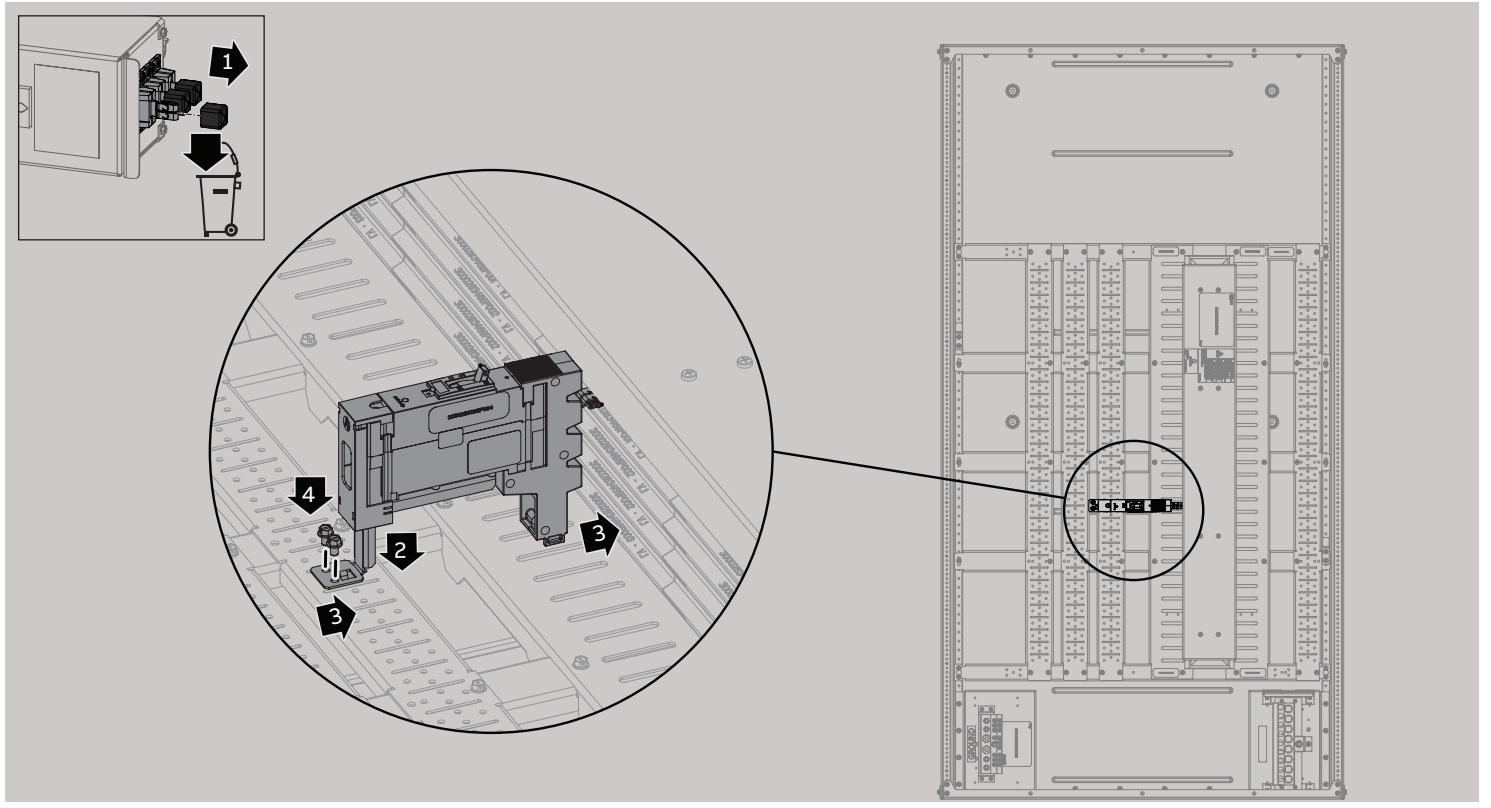
Horizontal feeder installation - XT1, group mounting of 5 adjacent breakers



Note: Item to be ordered separately (SR5XBF)

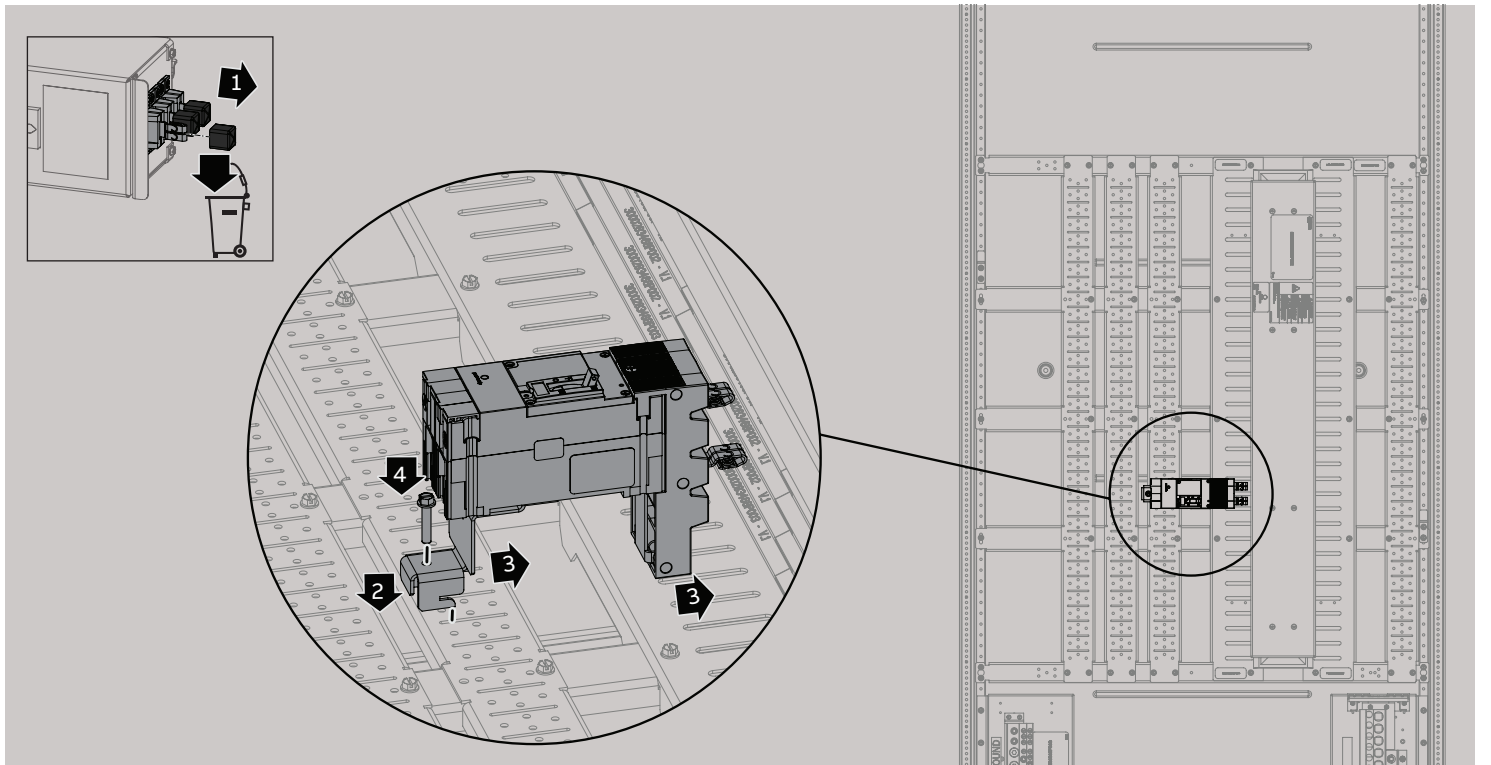
13

Horizontal feeder installation - FB 1P



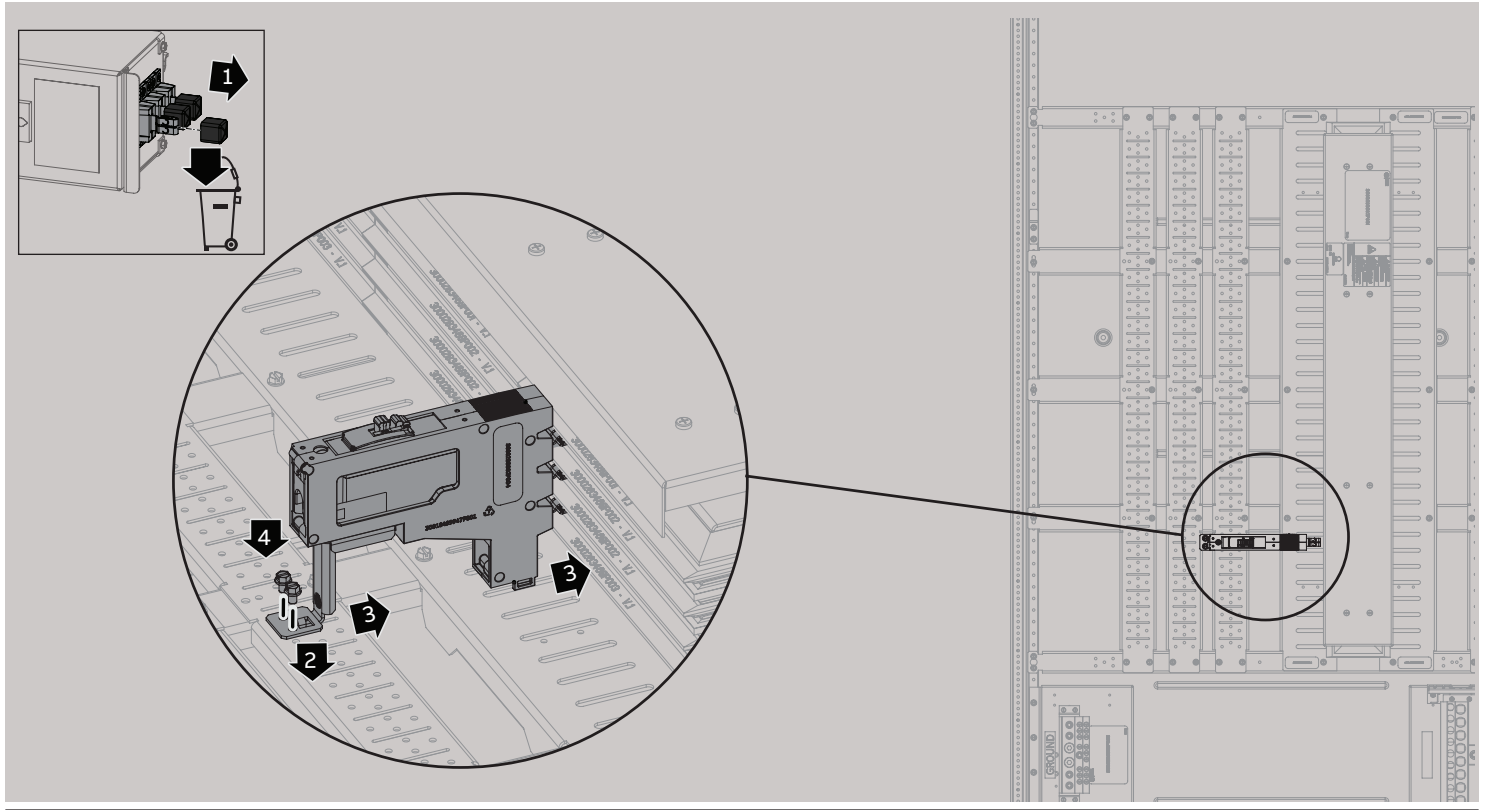
14

Horizontal feeder installation - FB 2P



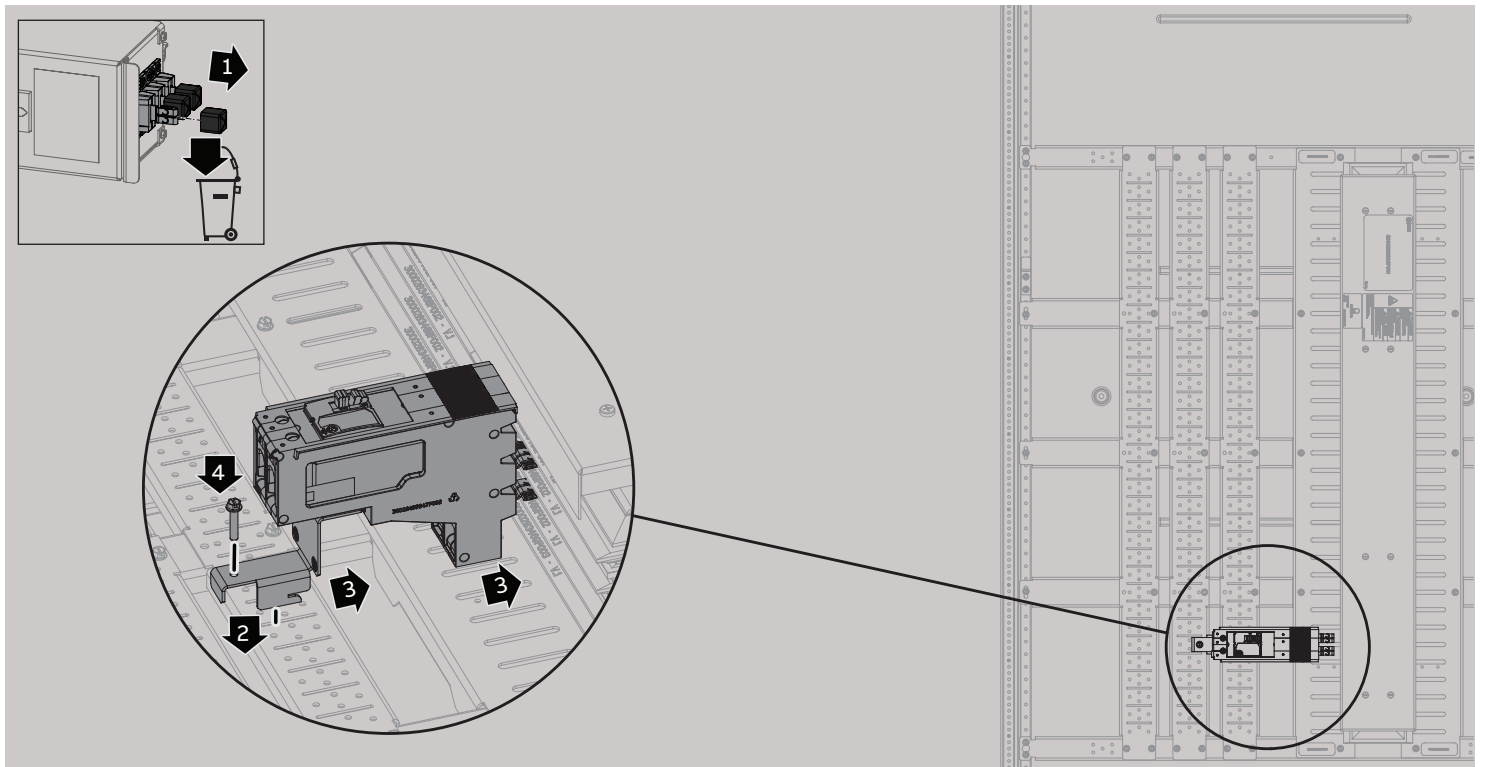
15

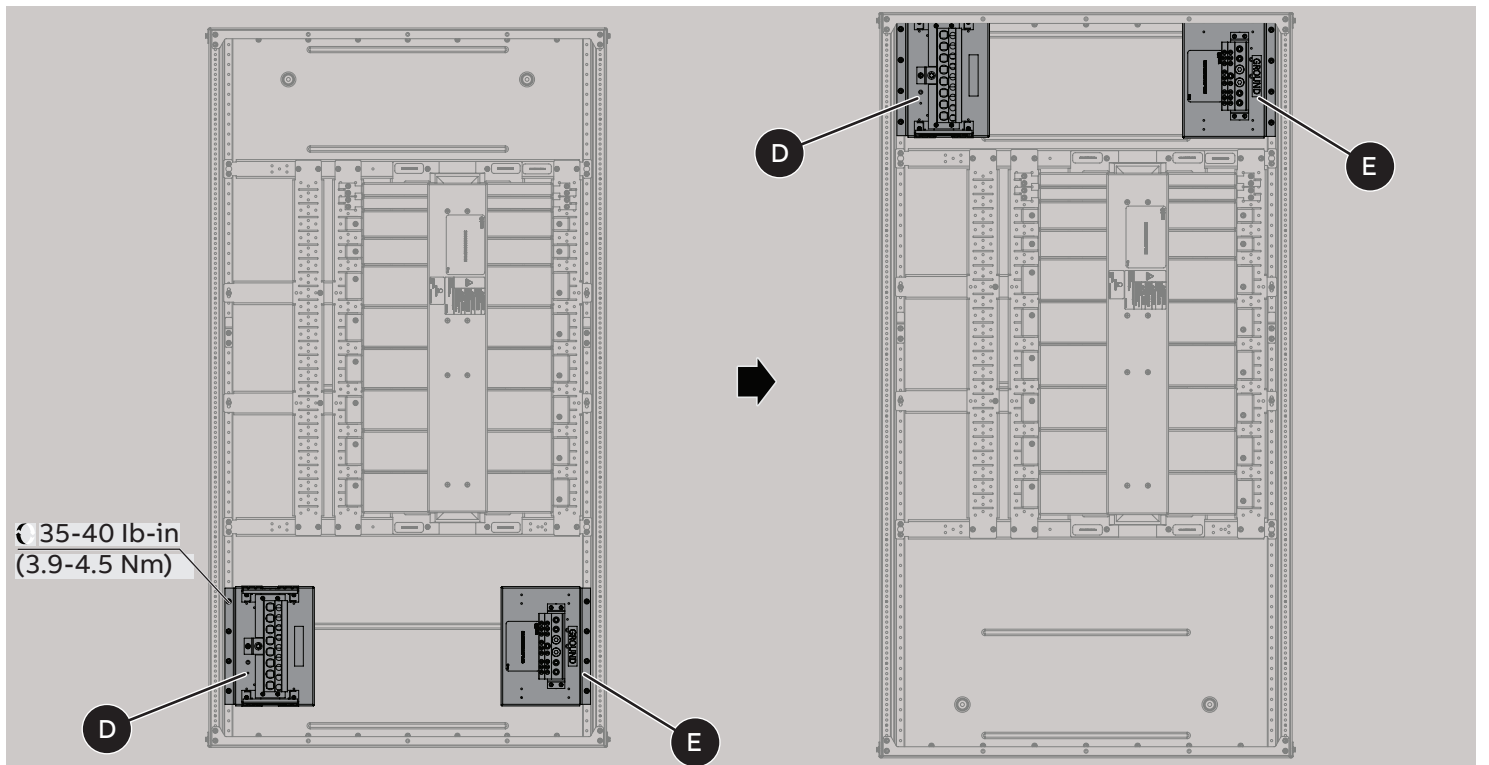
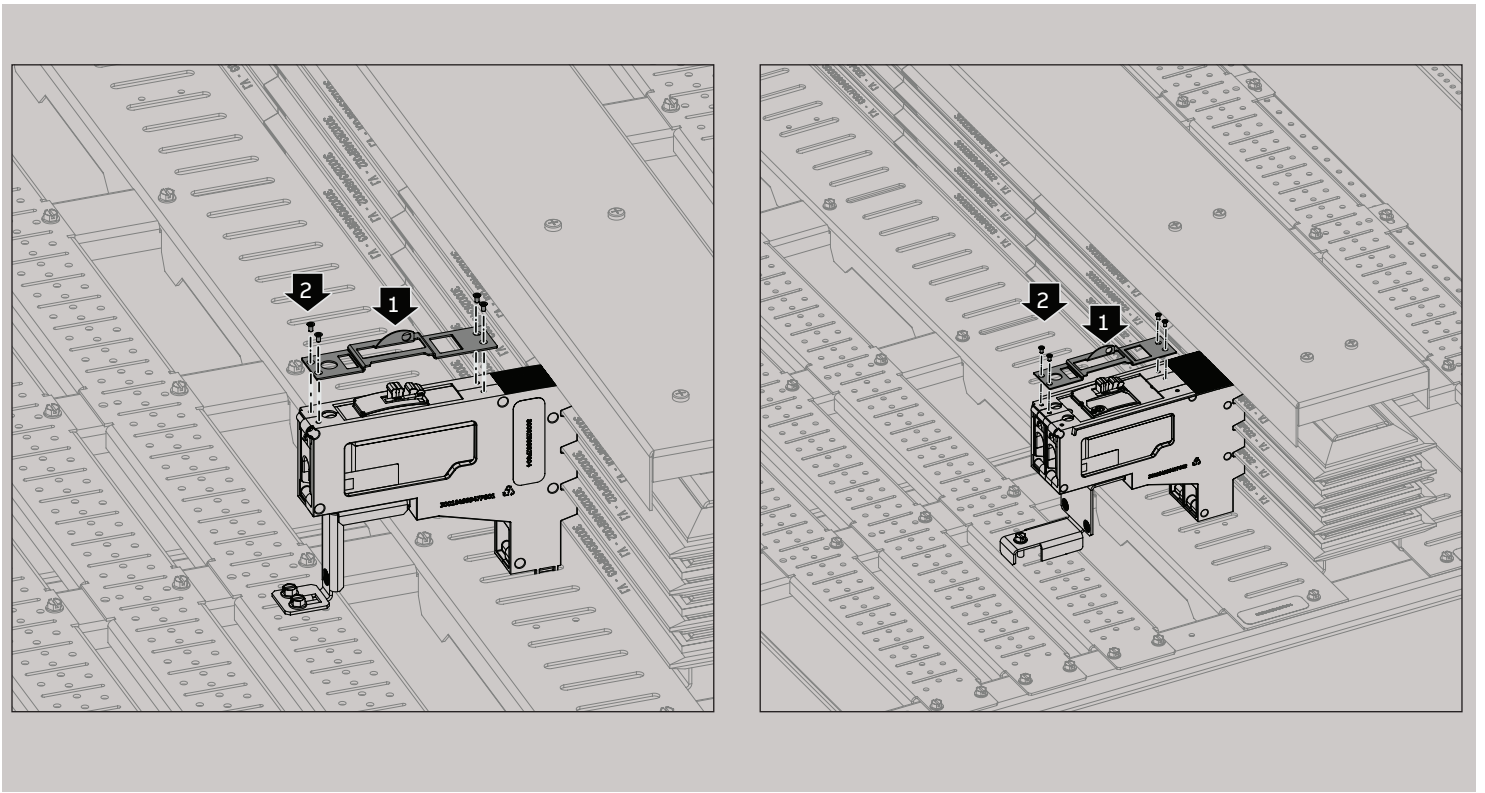
Horizontal feeder installation - TEY 1P

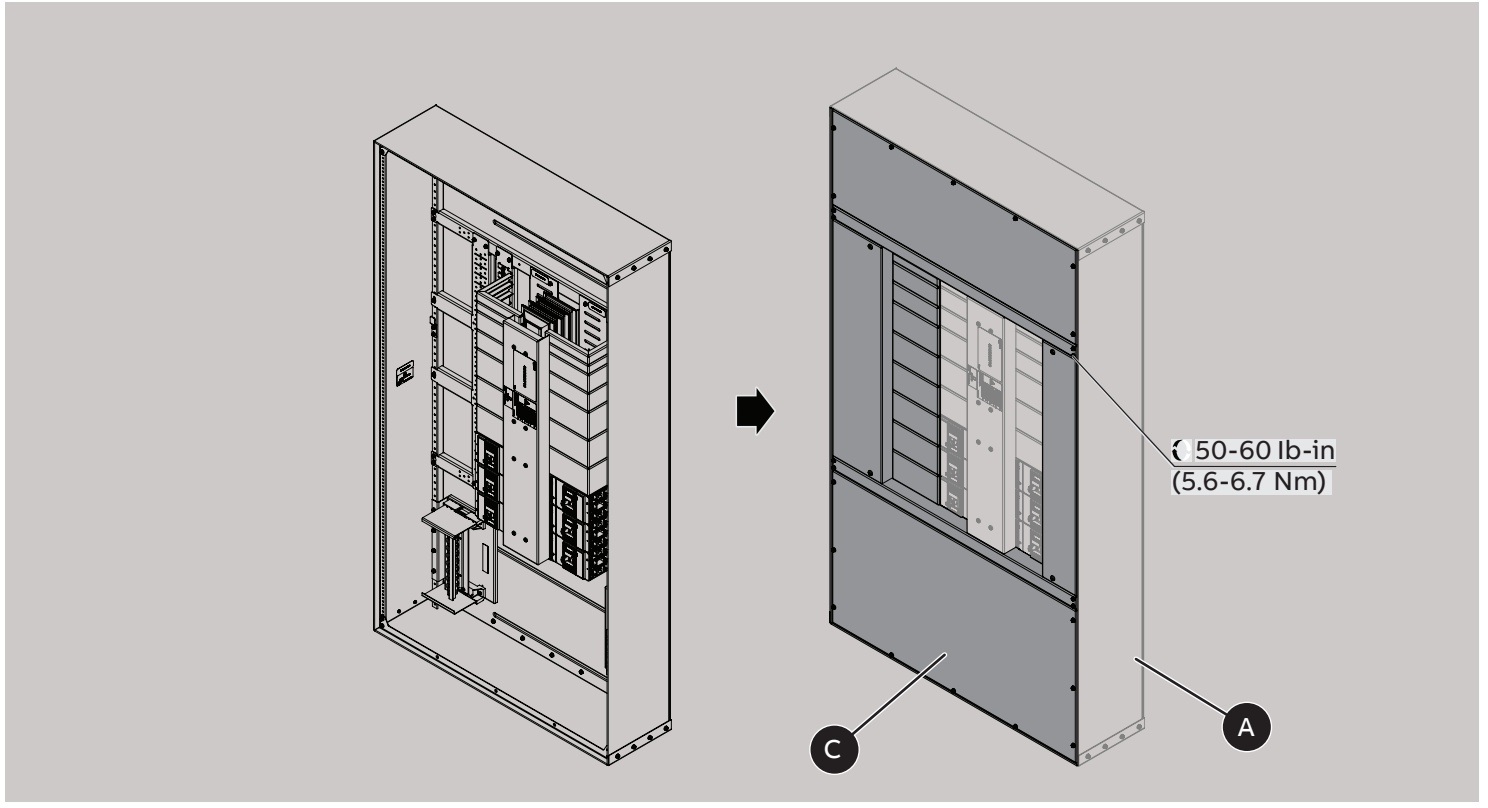


16

Horizontal feeder installation - TEY 2P







Disclaimer: These instructions do not cover all details or variations in equipment nor do they provide for every possible contingency that may be met in connection with installation, operation or maintenance. Should further information be desired or should particular problems arise that are not covered sufficiently for the purchaser's purposes, the matter should be referred to the ABB Company.

ABB Inc.
305 Gregson Drive
Cary, NC 27511

abb.com

We reserve the right to make technical changes or modify the contents of this document without prior notice. With regard to purchase orders, the agreed particulars shall prevail. ABB AG does not accept any responsibility whatsoever for potential errors or possible lack of information in this document.

We reserve all rights in this document and in the subject matter and illustrations contained therein. Any reproduction, disclosure to third parties or utilization of its contents – in whole or in parts – is forbidden without prior written consent of ABB AG. Copyright © 2019 ABB
All rights reserved