

ROBOTICS

# Product specification

IRB 7720



Trace back information:  
Workspace 24C version a5  
Checked in 2024-09-17  
Skribenta version 5.5.019

## **Product specification**

**IRB 7720**

OmniCore

Document ID: 3HAC089607-001

Revision: B

The information in this manual is subject to change without notice and should not be construed as a commitment by ABB. ABB assumes no responsibility for any errors that may appear in this manual.

Except as may be expressly stated anywhere in this manual, nothing herein shall be construed as any kind of guarantee or warranty by ABB for losses, damage to persons or property, fitness for a specific purpose or the like.

In no event shall ABB be liable for incidental or consequential damages arising from use of this manual and products described herein.

This manual and parts thereof must not be reproduced or copied without ABB's written permission.

Keep for future reference.

Additional copies of this manual may be obtained from ABB.

Original instructions.

© Copyright 2024 ABB. All rights reserved.  
Specifications subject to change without notice.

# Table of contents

Overview of this specification .....	7
<b>1 Description of IRB 7720</b> .....	<b>9</b>
1.1 About the IRB 7720 .....	9
1.2 About the IRB 7720 LeanID .....	13
1.3 Standards .....	16
1.3.1 Applicable standards .....	16
1.4 Maintenance and troubleshooting .....	17
<b>2 Technical data for IRB 7720</b> .....	<b>19</b>
2.1 Technical data .....	19
2.1.1 Technical data .....	19
2.1.2 Airborne noise level .....	23
2.1.3 Power consumption .....	24
2.1.4 Working range .....	25
2.1.5 Robot motion .....	38
2.2 Fitting equipment on the robot (robot dimensions) .....	40
2.3 Mechanical data for installation .....	47
2.4 Installing a base plate .....	49
2.5 Working range alterations .....	57
2.5.1 Adjusting the working range .....	57
2.5.2 Installing movable mechanical stops on axis 1 (option 3323-1) .....	58
2.6 Calibration and references .....	60
2.6.1 Calibration methods .....	60
2.6.2 Synchronization marks and synchronization position for axes .....	62
2.6.3 Calibration movement directions for all axes .....	64
2.6.4 Fine calibration .....	65
2.6.5 Calibration tools for Axis Calibration .....	66
2.6.6 Absolute Accuracy calibration .....	67
2.7 Load diagrams .....	69
2.7.1 Introduction .....	69
2.7.2 Diagrams .....	71
2.7.3 Maximum load and moment of inertia for full and limited axis 5 (center line down) movement .....	87
2.7.4 Wrist torque .....	89
2.7.5 Maximum TCP acceleration .....	90
2.8 Performance according to ISO 9283 .....	91
2.9 Velocity .....	92
2.10 Robot stopping distances and times .....	93
2.10.1 Robot stopping distances according to ISO 10218-1 .....	93
2.10.2 Measuring stopping distance and time .....	97
2.10.3 IRB 7720-620/2.90 .....	99
2.10.4 IRB 7720-530/3.10 .....	105
2.10.5 IRB 7720-510/3.30 .....	111
2.10.6 IRB 7720-450/3.50 .....	117
2.10.7 IRB 7720-560/2.90 LID .....	123
2.10.8 IRB 7720-480/3.10 LID .....	129
2.10.9 IRB 7720-400/3.30 LID .....	135
2.10.10 IRB 7720-400/3.50 LID .....	141
<b>3 Specification of variants and options</b> .....	<b>147</b>
3.1 Introduction to variants and options .....	147
3.2 Manipulator .....	148
3.3 Floor cables .....	156
3.4 Application .....	157
3.4.1 Overview of DressPack options .....	157

## Table of contents

---

3.4.2	DressPack for material handling .....	158
3.4.3	DressPack for spotwelding .....	164
3.4.4	Configuration result of DressPack options .....	170
3.4.5	Connector kits manipulator .....	173
3.4.5.1	Base - Connector kits .....	173
3.4.5.2	Axis 3 - Connector kits .....	176
3.4.5.3	Axis 6 - Connector kits .....	179
3.4.6	Application floor cables .....	183
3.5	Warranty .....	185
<b>Index</b>		<b>187</b>

---

# Overview of this specification

## About this product specification

This product specification describes the performance of the manipulator or a complete family of manipulators in terms of:

- The structure and dimensional prints
- The fulfilment of standards, safety, and operating equipment
- The load diagrams, mounting or extra equipment, the motion, and the robot reach
- The specification of available variants and options

The specification covers the manipulator using the OmniCore controller.

## Usage

Product specifications are used to find data and performance about the product, for example to decide which product to buy. How to handle the product is described in the product manual.

The specification is intended for:

- Product managers and product personnel
- Sales and marketing personnel
- Order and customer service personnel
- Integrators and customers

## References

Documentation referred to in the product specification, is listed in the table below.

Document name	Document ID
<i>Product manual - IRB 7720</i>	3HAC089605-001
<i>Product manual - DressPack IRB 7720</i>	3HAC089608-001
<i>Circuit diagram - IRB 7710/IRB 7720</i>	3HAC089629-001
<i>Product manual - OmniCore V400XT</i>	3HAC081697-001
<i>Technical reference manual - System parameters</i>	3HAC065041-001



### Tip

All documents can be found via myABB Business Portal, [www.abb.com/myABB](http://www.abb.com/myABB).

## Revisions

Revision	Description
A	First edition.
B	Published in release 24C. The following updates are made in this revision: <ul style="list-style-type: none"> <li>• Added image of end connectors at axis 6 for DressPack SW.</li> <li>• Added illustration for reduced working range on axis 1 with movable mechanical stops and corrected the limitation angles.</li> <li>• Added 22 m process cables.</li> </ul>

**This page is intentionally left blank**



# 1 Description of IRB 7720

## 1.1 About the IRB 7720

---

### General introduction

ABB is expanding its large size robot portfolio with IRB 7720, offering faster performance, improved stiffness and accuracy together with reduced energy consumption.

The IRB 7720 is available in eight variants spanning various options for payload from 400 kg to 620 kg, reach from 2.9 m to 3.5 m.

---

### Intended use

IRB 7720 is ideal for use in material handling, machine tending, and high precision assembly applications in the Electric Vehicle (EV), automotive, and the general industries. For Electric Vehicles, robots can handle an array of tasks, including EV battery module picking and placing, high precision assembly and parts handling. For general industries, the robots can be used for a wide range of tasks in die casting, material removal, cleaning, spraying and general high precision applications.

ABB robots are capable of high accelerations and speeds. It is generally recommended to use Robot Studio to find out if a robot model is suitable for a specific application and duty factor. In the case of intense use of robots, optional cooling fans may be required, and the expected component life of gearboxes and motors may be affected. Robot Studio is an excellent tool to help with the assessment of the duty factor and the selection of the most suitable robot variant.

*Continues on next page*

# 1 Description of IRB 7720

## 1.1 About the IRB 7720

*Continued*

### Available variants

The IRB 7720 is available in the following variants.

#### Variants with standard wrist

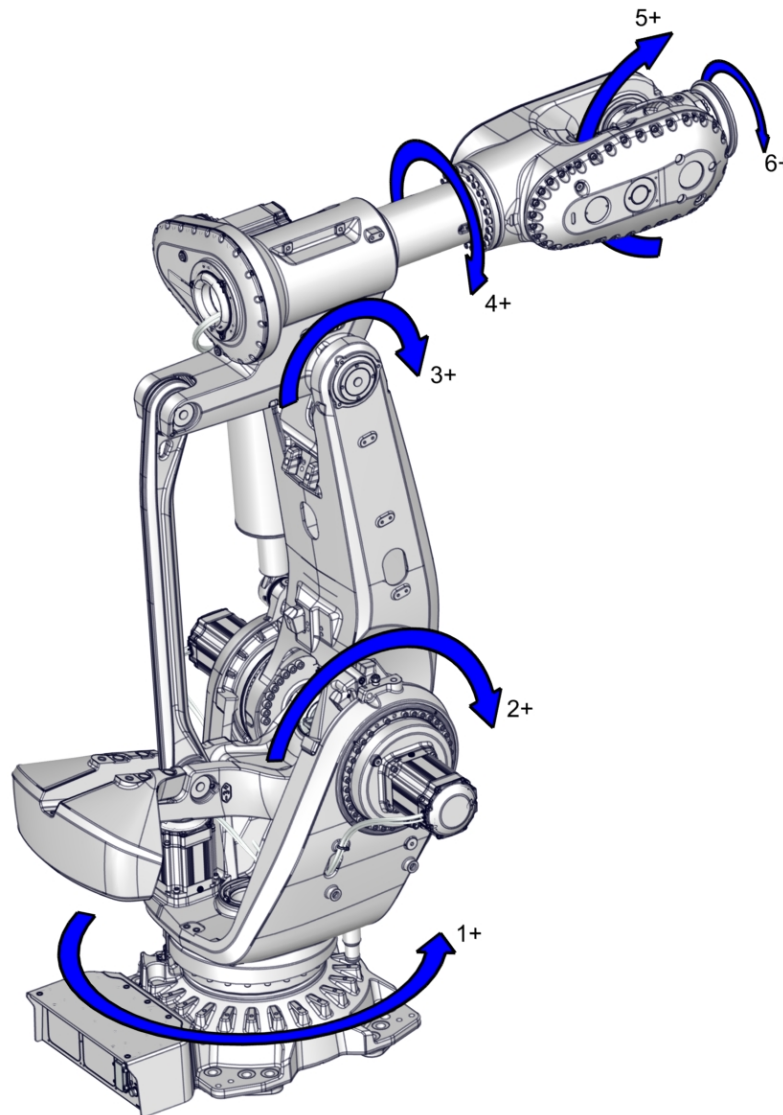
	 xx2300001502	 xx2300001503	 xx2300001504	 xx2300001505
Robot variant	IRB 7720-620/2.9	IRB 7720-530/3.1	IRB 7720-510/3.3	IRB 7720-450/3.5
Handling capacity	620 kg	530 kg	500 kg	450 kg
Reach	2.9 m	3.1 m	3.3 m	3.5 m

#### Variants with LeanID

	 xx2300001510	 xx2300001511	 xx2300001512	 xx2300001513
Robot variant	IRB 7720-560/2.9 LID	IRB 7720-480/3.1 LID	IRB 7720-400/3.3 LID	IRB 7720-400/3.5 LID
Handling capacity	560 kg	480 kg	400 kg	400 kg
Reach	2.9 m	3.1 m	3.3 m	3.5 m

*Continues on next page*

### Robot axes



xx2300001518

### Control system

The robot is equipped with the OmniCore controller and robot control software, RobotWare. RobotWare supports every aspect of the robot system, such as motion control, development and execution of application programs, communication etc. See *Operating manual - OmniCore*.

We have added a range of software products - all falling under the umbrella designation of Active Safety - to protect not only personnel in the unlikely event of an accident, but also robot tools, peripheral equipment and the robot itself.

The IRB 7720 manipulator can be connected to the following robot controllers:

- OmniCore V400XT

### Safety

Safety standards valid for complete robot, manipulator and controller.

*Continues on next page*

# 1 Description of IRB 7720

---

## 1.1 About the IRB 7720

*Continued*

---

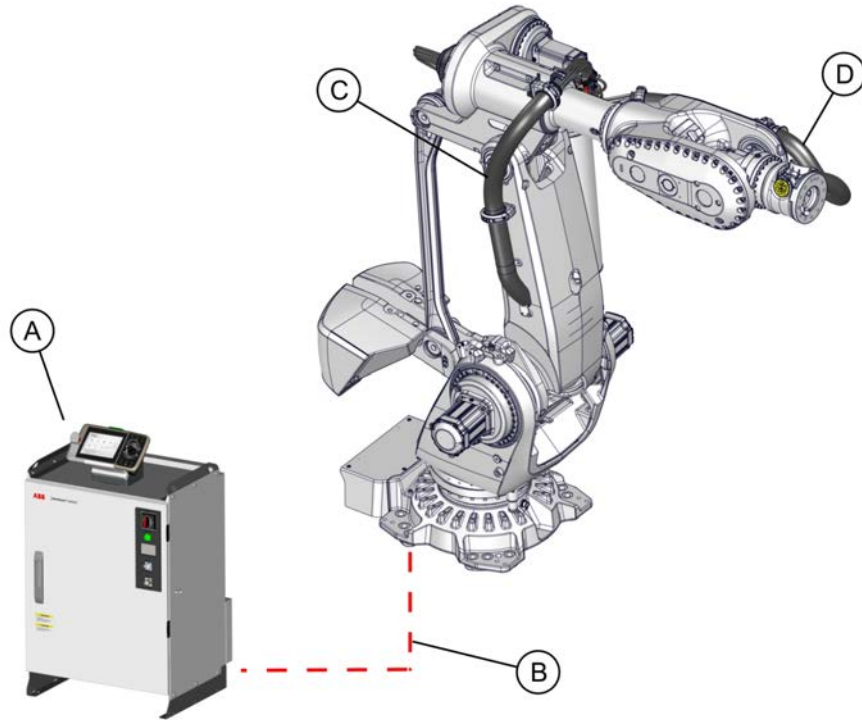
### **Additional functionality**

For additional functionality, the robot can be equipped with optional software for application support - for example communication features - network communication - and advanced functions such as multitasking, sensor control etc. For a complete description on optional software, see the product specification for the robot controller, listed in [References on page 7](#).

1.2 About the IRB 7720 LeanID

About the DressPack

The IRB 7720 can be equipped with the well-integrated cable and hose packages in the DressPack options. The DressPack is designed together with the manipulator to offer a complete solution. The DressPack is designed to fit a wide variety of applications, like machine tending, material handling and spot welding and are well integrated into the robot system to ensure long life and large working range.



xx240000287

Pos	Description
A	Robot controller
B	DressPack, floor
C	DressPack, lower arm
D	DressPack, upper arm

*Continues on next page*

# 1 Description of IRB 7720

## 1.2 About the IRB 7720 LeanID

*Continued*

### Available DressPack for IRB 7720

To support the variety of complexity in the operation/wrist movements, there are different solutions available.

The lower arm DressPack (base - axis 3) has the same routing and design for all manipulator variants.

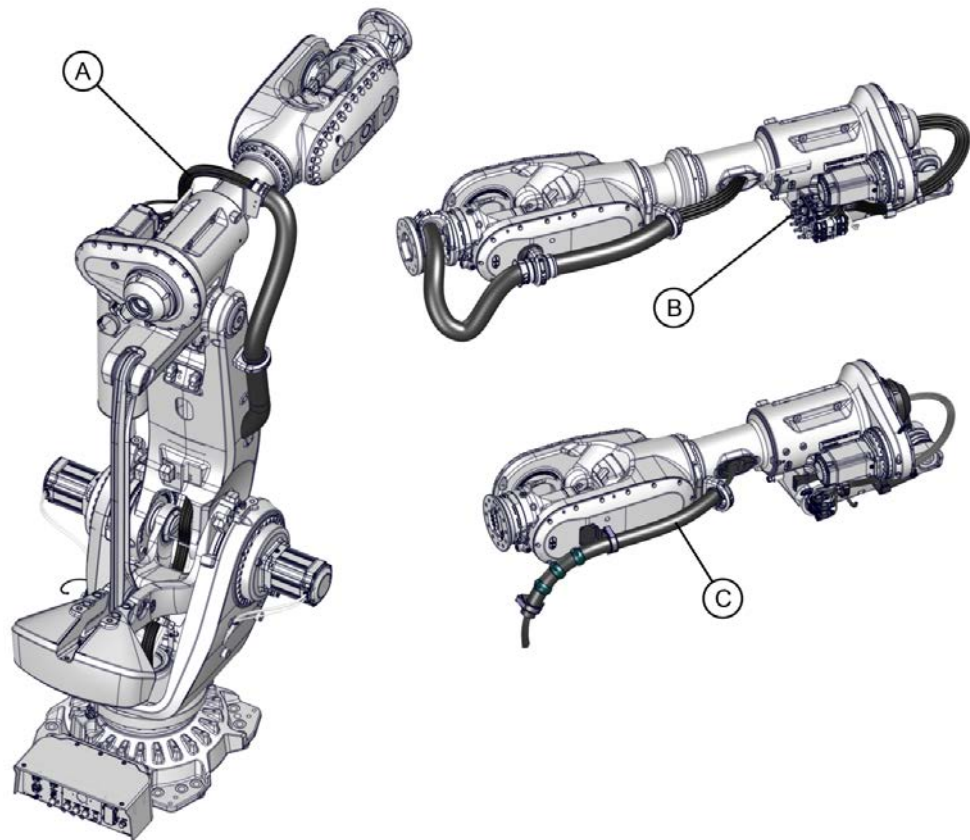
The upper arm DressPack options (axis 3 - 6) are available in different design solutions, *LeanID - MH*, *LeanID - SW* and *MH3*. The main difference between LeanID and MH3 is that LeanID is guided across the axis 6 center of rotation by utilizing a process turning disc instead of the standard turning disc. This allows for a controlled and predictable motion pattern of the DressPack. The MH3 DressPack is designed for less complex wrist movements and requires the integrator to manage the DressPack routing at axis 6.

The LeanID Empty Conduit is an empty casing without cabling.

Robot variant	DressPack variants	
	Base - axis 3	axis 3 - 6
IRB 7720-620/2.9	MH, SW	MH3
IRB 7720-530/3.1	MH, SW	MH3
IRB 7720-510/3.3	MH, SW	MH3
IRB 7720-450/3.5	MH, SW	MH3
IRB 7720-560/2.9 LID	MH, SW	LeanID - MH, LeanID - SW, LeanID Empty Conduit
IRB 7720-480/3.1 LID	MH, SW	LeanID - MH, LeanID - SW, LeanID Empty Conduit
IRB 7720-400/3.3 LID	MH, SW	LeanID - MH, LeanID - SW, LeanID Empty Conduit
IRB 7720-400/3.5 LID	MH, SW	LeanID - MH, LeanID - SW, LeanID Empty Conduit

*Continues on next page*

### Illustration of DressPack designs



xx240000284

	Description	DressPack variant	Robot variant
A	DressPack base - axis 3	MH, SW	All variants
B	DressPack axis 3 - 6	LeanID - MH LeanID - SW LeanID Empty Conduit	IRB 7720-560/2.9 LID IRB 7720-480/3.1 LID IRB 7720-400/3.3 LID IRB 7720-400/3.5 LID
C	DressPack axis 3 - 6	MH3	IRB 7720-620/2.9 IRB 7720-530/3.1 IRB 7720-510/3.3 IRB 7720-450/3.5

# 1 Description of IRB 7720

---

## 1.3.1 Applicable standards

## 1.3 Standards

### 1.3.1 Applicable standards

---

#### General

The product is compliant with ISO 10218-1:2011, *Robots for industrial environments - Safety requirements - Part 1 Robots*, and applicable parts in the normative references, as referred to from ISO 10218-1:2011. In case of deviation from ISO 10218-1:2011, these are listed in the declaration of incorporation. The declaration of incorporation is part of the delivery.

---

#### Robot standards

Standard	Description
ISO 9283	Manipulating industrial robots – Performance criteria and related test methods
ISO 9787	Robots and robotic devices – Coordinate systems and motion nomenclatures
ISO 9946	Manipulating industrial robots – Presentation of characteristics

---

#### Other standards used in design

Standard	Description
IEC 60204-1	Safety of machinery - Electrical equipment of machines - Part 1: General requirements, normative reference from ISO 10218-1
IEC 61000-6-2	Electromagnetic compatibility (EMC) – Part 6-2: Generic standards – Immunity standard for industrial environments
IEC 61000-6-4	Electromagnetic compatibility (EMC) – Part 6-4: Generic standards – Emission standard for industrial environments
ISO 13849-1:2006	Safety of machinery - Safety related parts of control systems - Part 1: General principles for design, normative reference from ISO 10218-1
UL 1740 (option) CSA Z434 (option)	Standards For Safety - Robots and Robotic Equipment Industrial robots and robot Systems - General safety requirements Valid for USA and Canada.



### 1.4 Maintenance and troubleshooting

---

#### General

The robot requires only minimum maintenance during operation. It has been designed to make it as easy to service as possible:

- Maintenance-free AC motors are used.
- Oil is used for the gearboxes.
- The cabling is routed for longevity, and in the unlikely event of a failure, its modular design makes it easy to change.

---

#### Maintenance

The maintenance intervals depend on the use of the robot. The required maintenance activities also depend on the selected options. For detailed information on maintenance procedures, see the maintenance section in *Product manual - IRB 7720*.

---

#### Troubleshooting

The robot has built-in communication that shows information on the FlexPendant. These messages facilitates troubleshooting and are an integral part of the control system. Troubleshooting procedures are describes in the product manual for the manipulator and the controller respectively.

**This page is intentionally left blank**

## 2 Technical data for IRB 7720

### 2.1 Technical data

#### 2.1.1 Technical data

##### Weight, robot

The table shows the weight of the robot.

Robot model	Nominal weight
IRB 7720-620/2.9	2,590 kg
IRB 7720-530/3.1	2,620 kg
IRB 7720-510/3.3	2,540 kg
IRB 7720-450/3.5	2,550 kg
IRB 7720-560/2.9 LID	2,670 kg
IRB 7720-480/3.1 LID	2,690 kg
IRB 7720-400/3.3 LID	2,620 kg
IRB 7720-400/3.5 LID	2,630 kg



##### Note

The weight does not include additional options, tools and other equipment fitted on the robot.

The weight includes the weight of the DressPack for LID variants.

##### Mounting positions

The table shows valid mounting positions and the installation (mounting) angle for the manipulator.

Mounting position	Installation angle
Floor mounted	0°



##### Note

The actual mounting angle must always be configured in the system parameters, otherwise the performance and lifetime is affected. See the product manual for details.

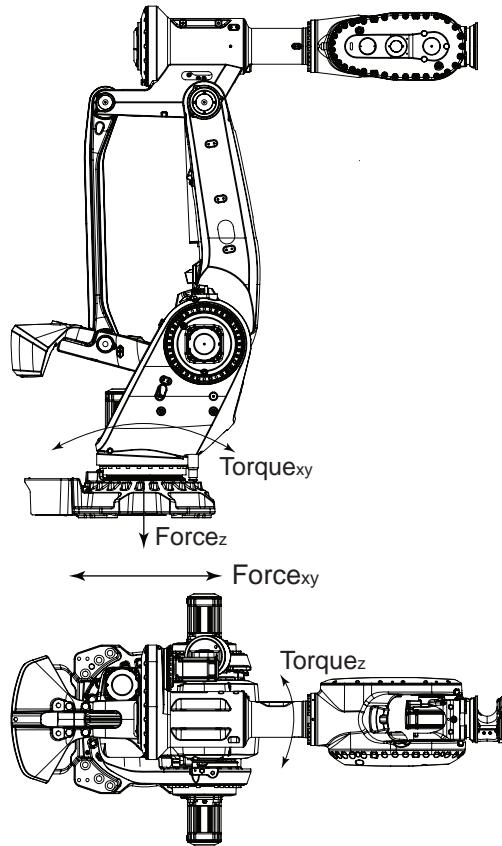
*Continues on next page*

## 2 Technical data for IRB 7720

### 2.1.1 Technical data

Continued

#### Loads on foundation, robot



xx2400000244

The table shows the various forces and torques working on the robot during different kinds of operation.



#### Note

These forces and torques are extreme values that are rarely encountered during operation. The values also never reach their maximum at the same time!



#### WARNING

The robot installation is restricted to the mounting options given in following load table(s).


#### Floor mounted

Force	Endurance load (in operation)	Maximum load (emergency stop)
Force xy	$\pm 10.5$ kN	$\pm 29.8$ kN
Force z	$32.6 \pm 6$ kN	$32.6 \pm 19.3$ kN
Torque xy	$\pm 42.3$ kNm	$\pm 83$ kNm
Torque z	$\pm 7.3$ kNm	$\pm 20.4$ kNm

Continues on next page

**Requirements, foundation**

The table shows the requirements for the foundation where the weight of the installed robot is included:

Requirement	Value	Note
Flatness of foundation surface	0.3 mm	Flat foundations give better repeatability of the resolver calibration compared to original settings on delivery from ABB. The value for levelness aims at the circumstance of the anchoring points in the robot base. In order to compensate for an uneven surface, the robot can be recalibrated during installation. If resolver/encoder calibration is changed this will influence the absolute accuracy.
Minimum resonance frequency	22 Hz  <b>Note</b> It may affect the manipulator lifetime to have a lower resonance frequency than recommended.	The value is recommended for optimal performance. Due to foundation stiffness, consider robot mass including equipment. <sup>i</sup> For information about compensating for foundation flexibility, see the description of <i>Motion Process Mode</i> in the manual that describes the controller software option, see <a href="#">References on page 7</a> .

<sup>i</sup> The minimum resonance frequency given should be interpreted as the frequency of the robot mass/inertia, robot assumed stiff, when a foundation translational/torsional elasticity is added, i.e., the stiffness of the pedestal where the robot is mounted. The minimum resonance frequency should not be interpreted as the resonance frequency of the building, floor etc. For example, if the equivalent mass of the floor is very high, it will not affect robot movement, even if the frequency is well below the stated frequency. The robot should be mounted as rigid as possibly to the floor.  
Disturbances from other machinery will affect the robot and the tool accuracy. The robot has resonance frequencies in the region 10 – 20 Hz and disturbances in this region will be amplified, although somewhat damped by the servo control. This might be a problem, depending on the requirements from the applications. If this is a problem, the robot needs to be isolated from the environment.

**Storage conditions, robot**

The table shows the allowed storage conditions for the robot:

Parameter	Value
Minimum ambient temperature	-25 °C
Maximum ambient temperature	55 °C
Maximum ambient temperature (less than 24 hrs)	70 °C
Maximum ambient humidity	95%

**Operating conditions, robot**

The table shows the allowed operating conditions for the robot:

Parameter	Value
Minimum ambient temperature	5 °C <sup>i</sup>
Maximum ambient temperature	50 °C
Maximum ambient humidity	95% at constant temperature

<sup>i</sup> At low environmental temperature < 10°C is, as with any other machine, a warm-up phase recommended to be run with the robot. Otherwise there is a risk that the robot stops or run with lower performance due to temperature dependent oil and grease viscosity.

*Continues on next page*

## 2 Technical data for IRB 7720

---

### 2.1.1 Technical data

*Continued*

---

#### Protection classes, robot

The table shows the available protection types of the robot, with the corresponding protection class.

Protection type	Protection class <sup>i</sup>
Manipulator, protection type Standard	IP67
Manipulator, protection type Foundry Plus 2	IP67

<sup>i</sup> According to IEC 60529.

---

#### Environmental information

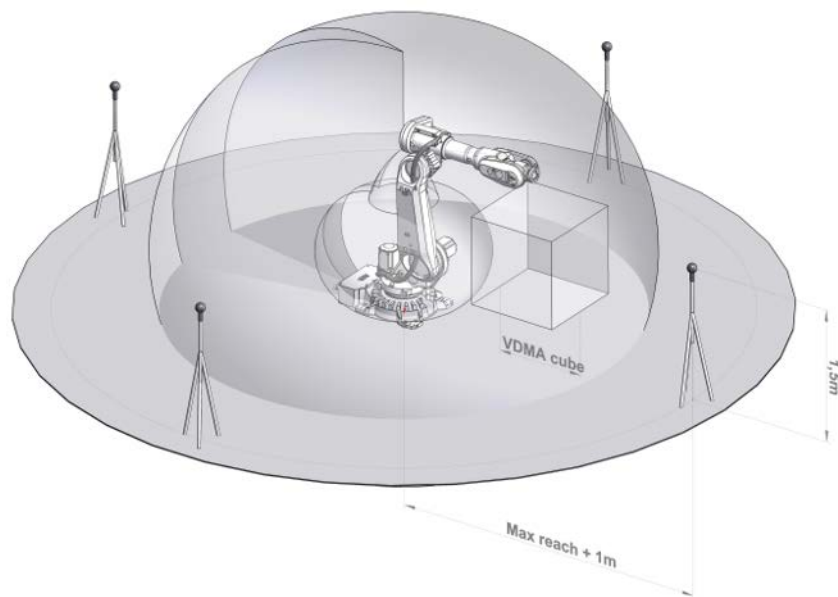
The product complies with IEC 63000. *Technical documentation for the assessment of electrical and electronic products with respect to the restriction of hazardous substances.*

2.1.2 Airborne noise level

Airborne noise level

Description	Note	Value
Airborne noise level	The sound pressure level outside the working space.	70 dB (A) Leq

The noise emission is measured at four points on a radius 1 m outside the robots maximum working range and at 1.5 m above the robot base level, while the manipulator follows a defined cycle according to VDMA 24608, at max performance and payload.



xx2100002505



**Note**

The noise emission from a robot, in an actual application, depends on the programmed path, payload, cycle time, mounting position, environment, etc.

## 2 Technical data for IRB 7720

### 2.1.3 Power consumption

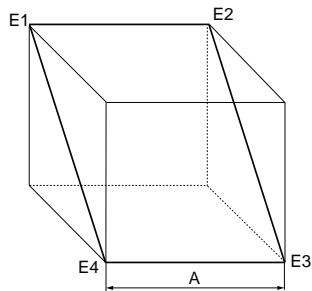
### 2.1.3 Power consumption

#### Power consumption at max load

Variant <sup>i</sup>	ISO cube	Robot in calibration position	
	Power consumption at maximum velocity (kW)	Power consumption at brakes engaged (kW)	Power consumption at brakes disengaged (kW)
IRB 7720-620/2.9	2.8	0.2	0.8
IRB 7720-530/3.1	2.5	0.2	0.8
IRB 7720-510/3.3	2.5	0.2	0.8
IRB 7720-450/3.5	2.3	0.2	0.8

<sup>i</sup> LID manipulator variants are considered to have the same data as specified variants with the same reach.

#### ISO cube



xx1000000101

Pos	Description
A	1,000 mm



#### Note

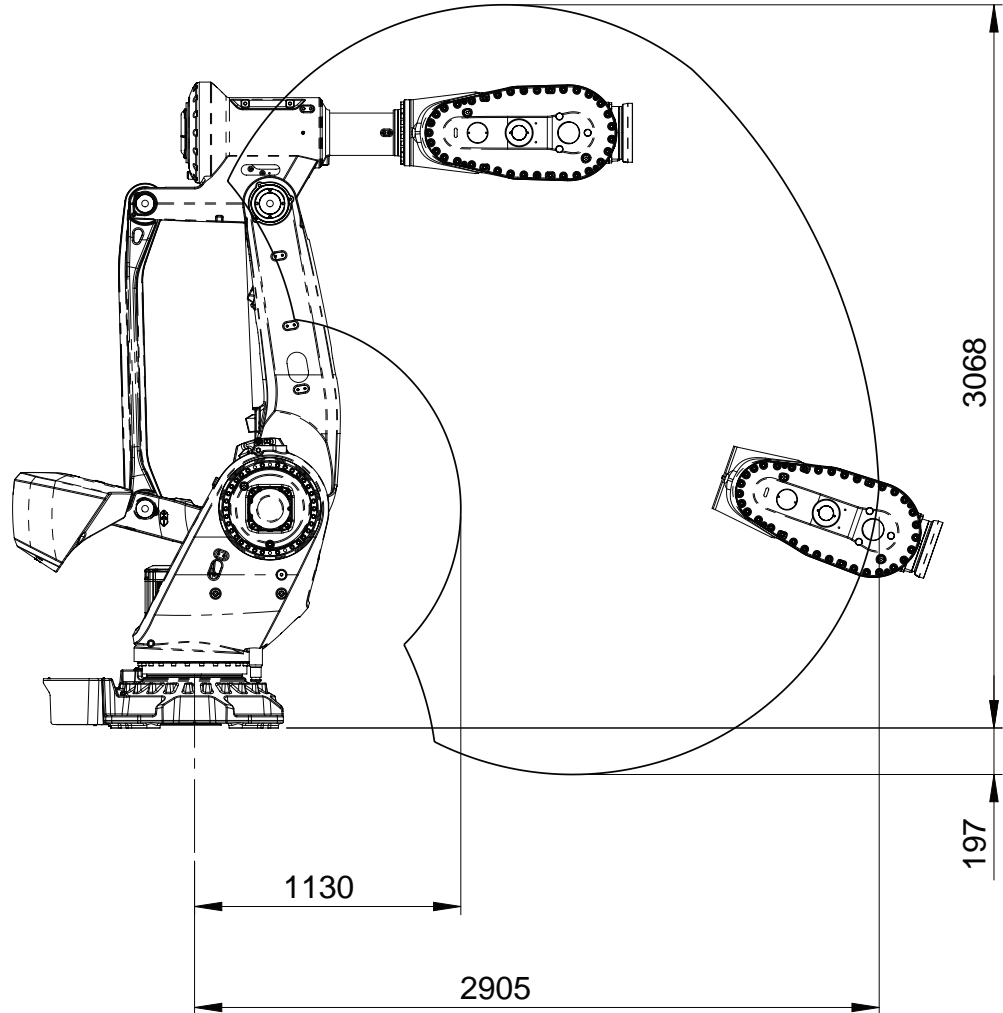
If measuring the power consumption at the installation site, the returned power to the grid needs to be taken in to account.



2.1.4 Working range

Illustration, working range IRB 7720-620/2.9

This illustration shows the unrestricted working range of the robot.



xx2400000318

*Continues on next page*

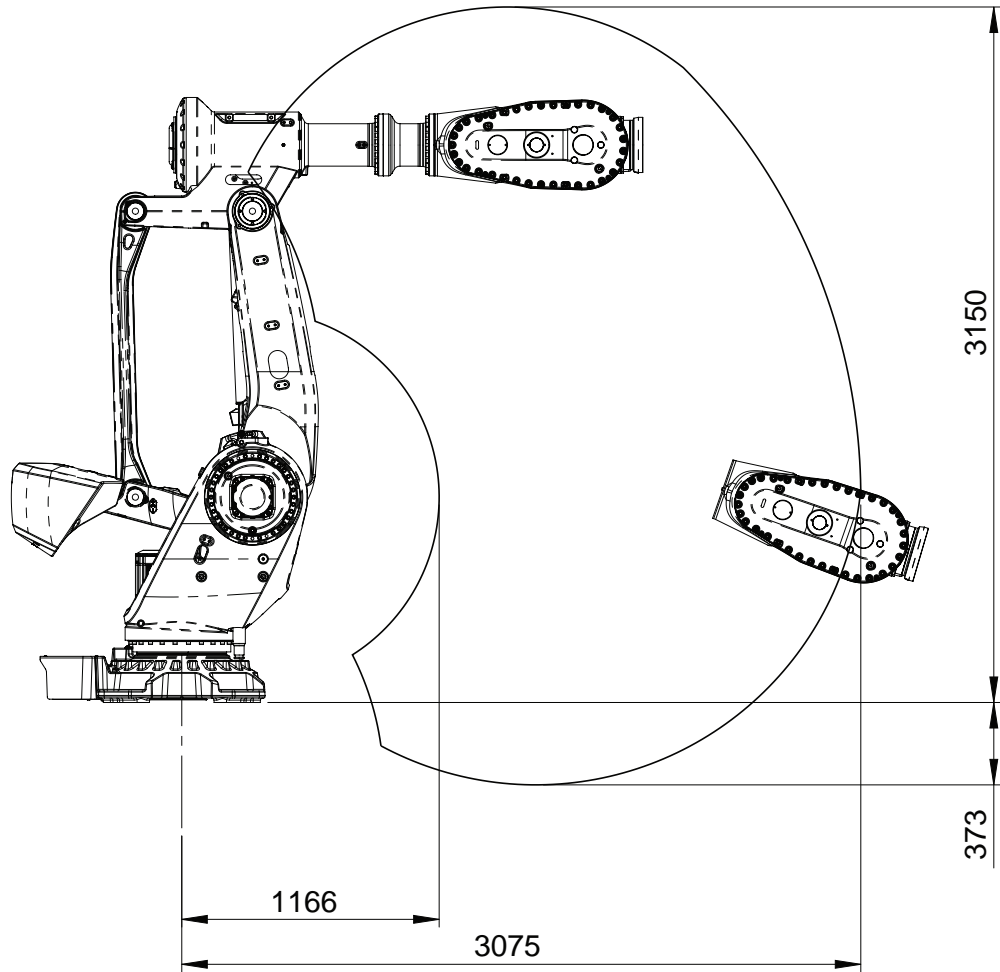
## 2 Technical data for IRB 7720

### 2.1.4 Working range

*Continued*

#### Illustration, working range IRB 7720-530/3.1

This illustration shows the unrestricted working range of the robot.

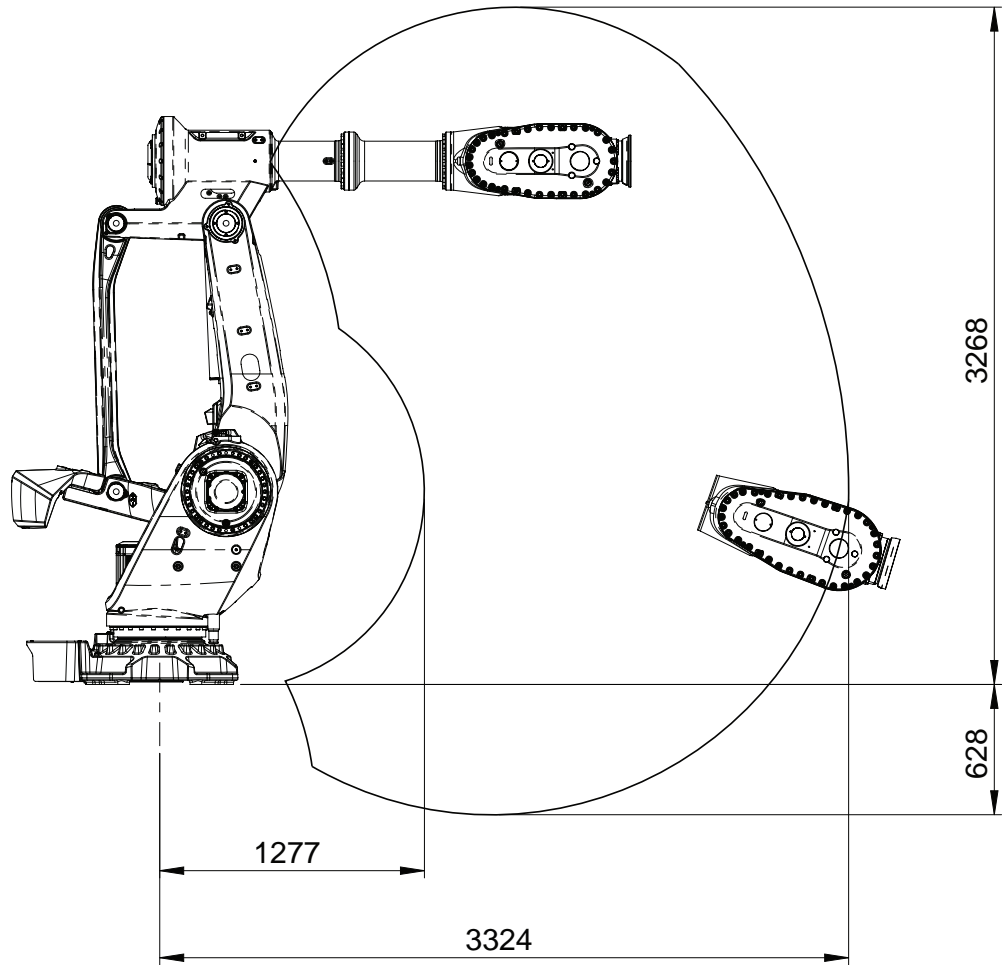


xx2400000320

*Continues on next page*

Illustration, working range IRB 7720-510/3.3

This illustration shows the unrestricted working range of the robot.



xx240000322

Continues on next page

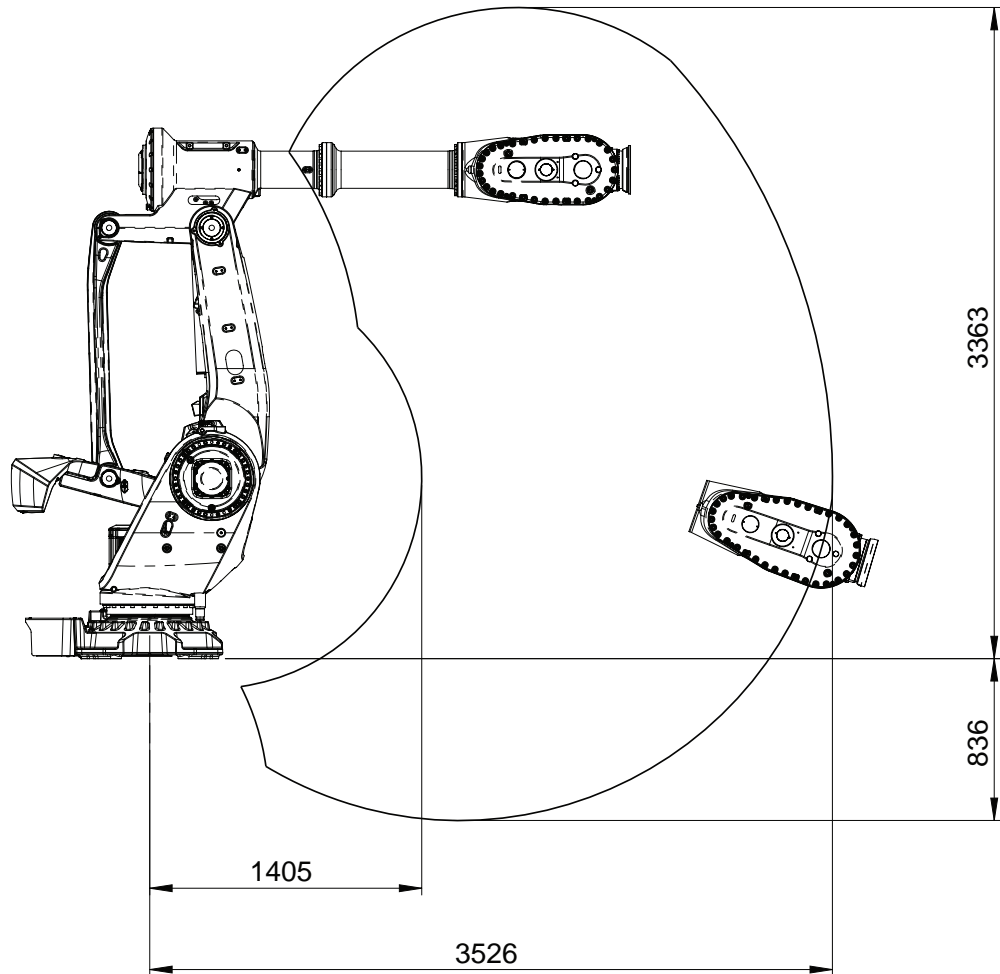
## 2 Technical data for IRB 7720

### 2.1.4 Working range

*Continued*

#### Illustration, working range IRB 7720-450/3.5

This illustration shows the unrestricted working range of the robot.

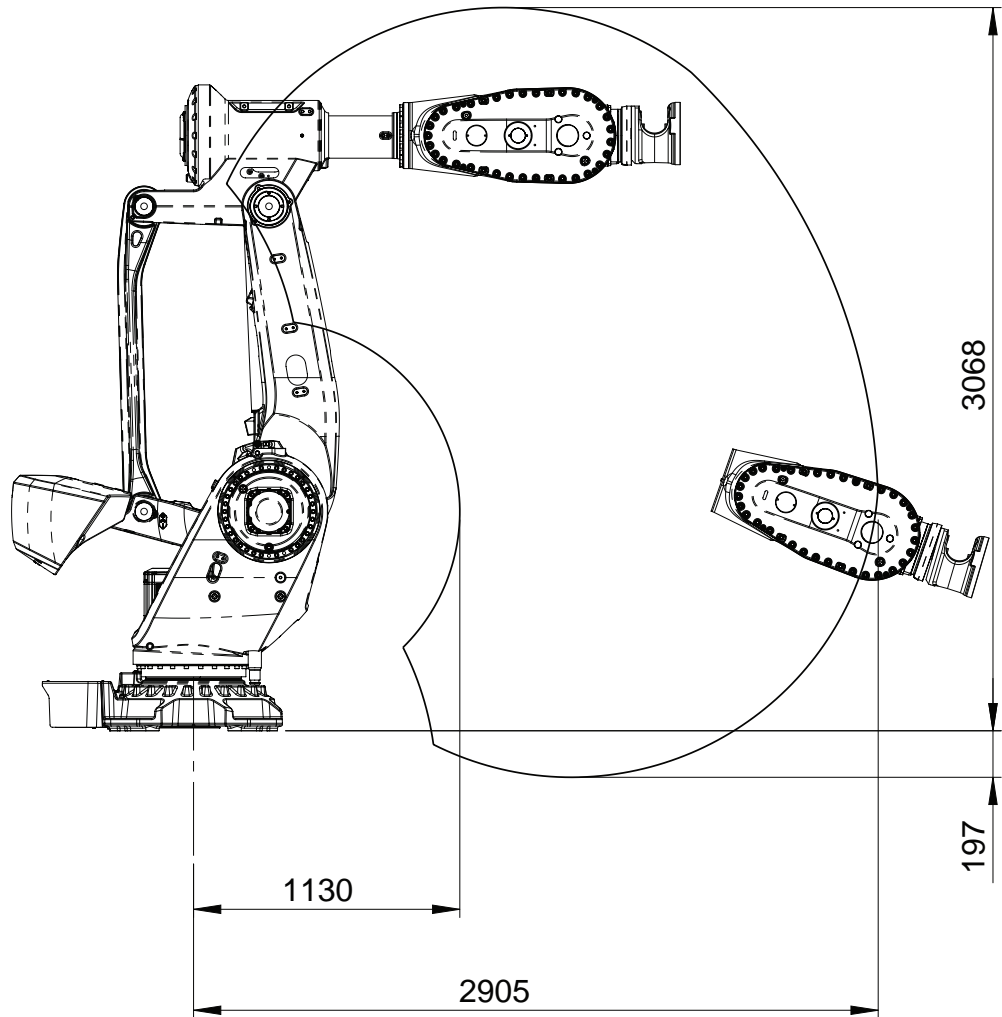


xx2400000324

*Continues on next page*

Illustration, working range IRB 7720-560/2.9 LID

This illustration shows the unrestricted working range of the robot.



xx2400000319

Continues on next page

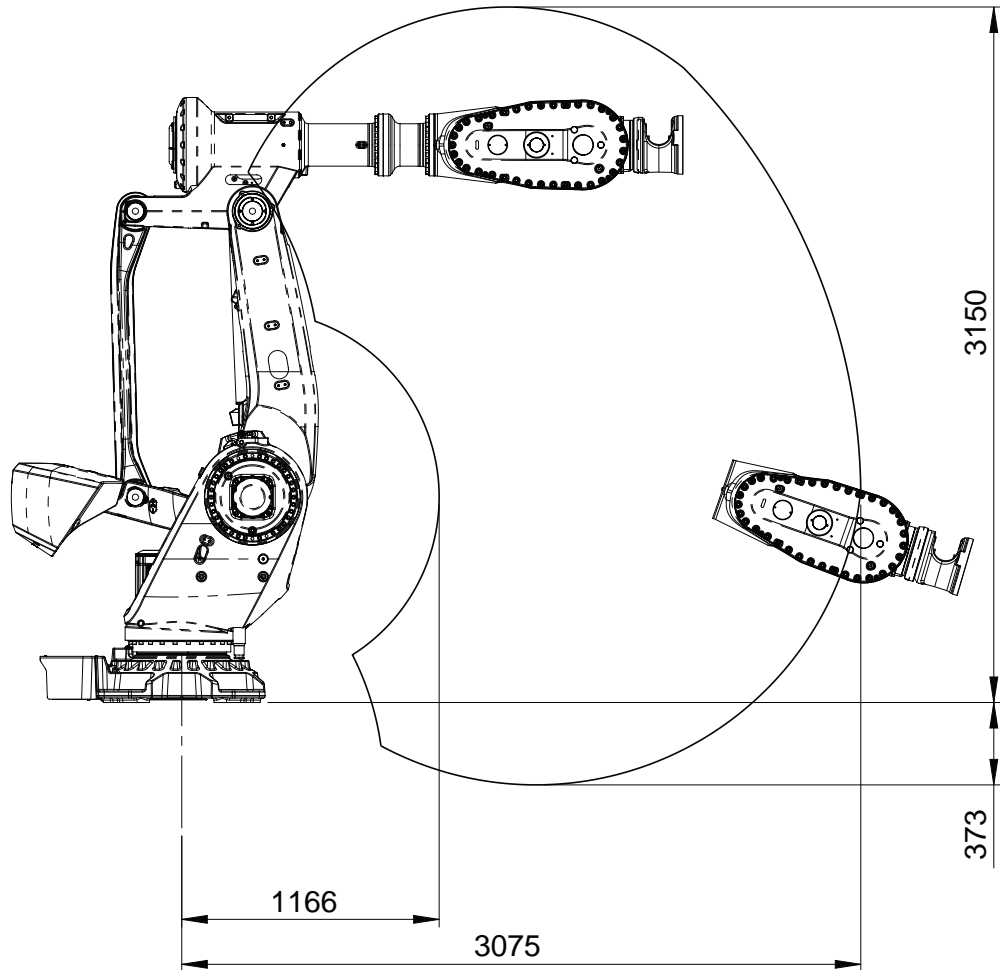
## 2 Technical data for IRB 7720

### 2.1.4 Working range

*Continued*

#### Illustration, working range IRB 7720-480/3.1 LID

This illustration shows the unrestricted working range of the robot.

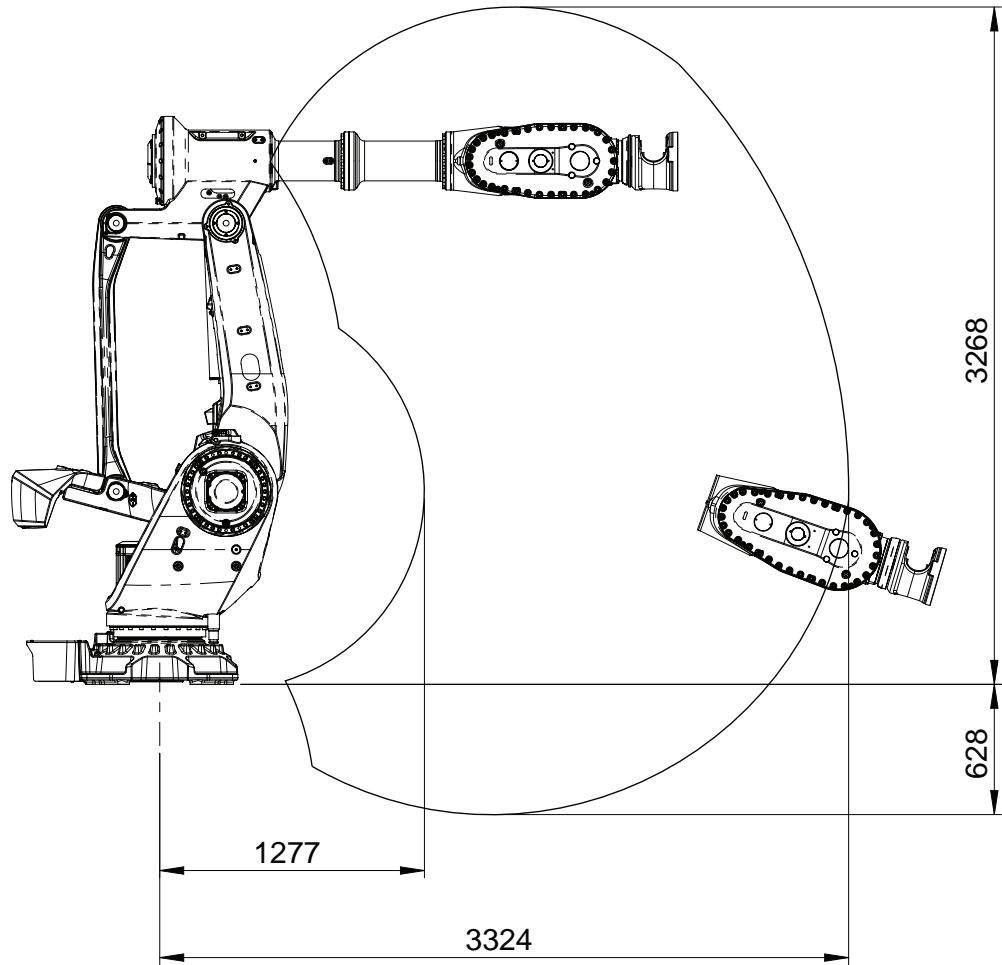


xx2400000321

*Continues on next page*

Illustration, working range IRB 7720-400/3.3 LID

This illustration shows the unrestricted working range of the robot.



xx240000323

Continues on next page

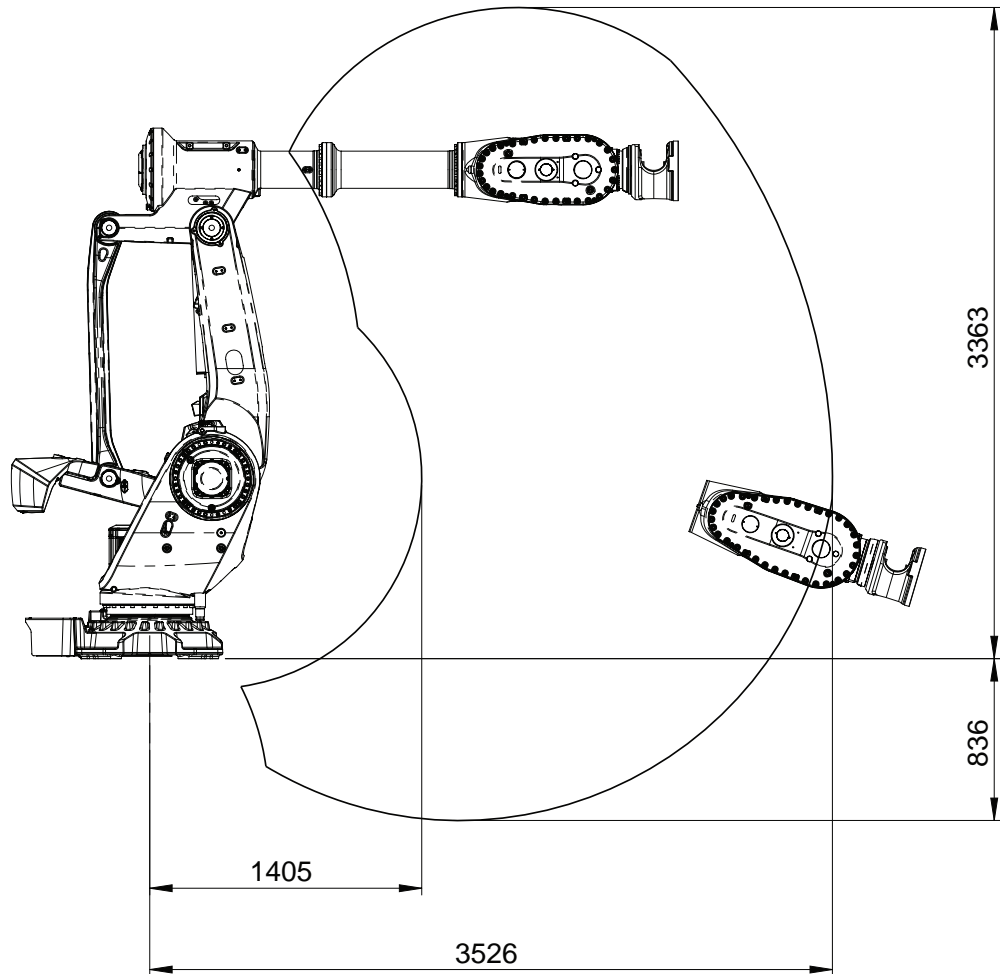
## 2 Technical data for IRB 7720

### 2.1.4 Working range

*Continued*

#### Illustration, working range IRB 7720-400/3.5 LID

This illustration shows the unrestricted working range of the robot.



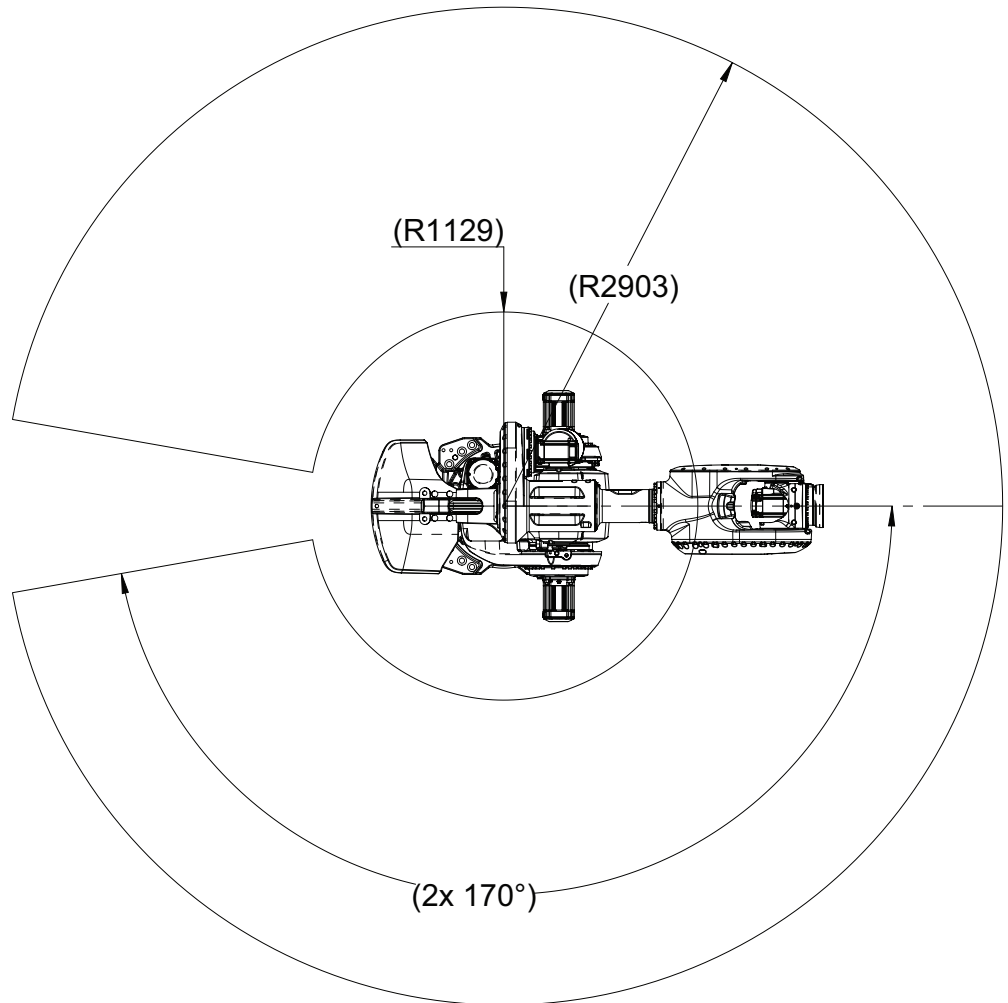
xx2400000325

*Continues on next page*



Top view of working range

IRB 7720-620/2.9, IRB 7720-560/2.9 LID



xx240000326

Continues on next page

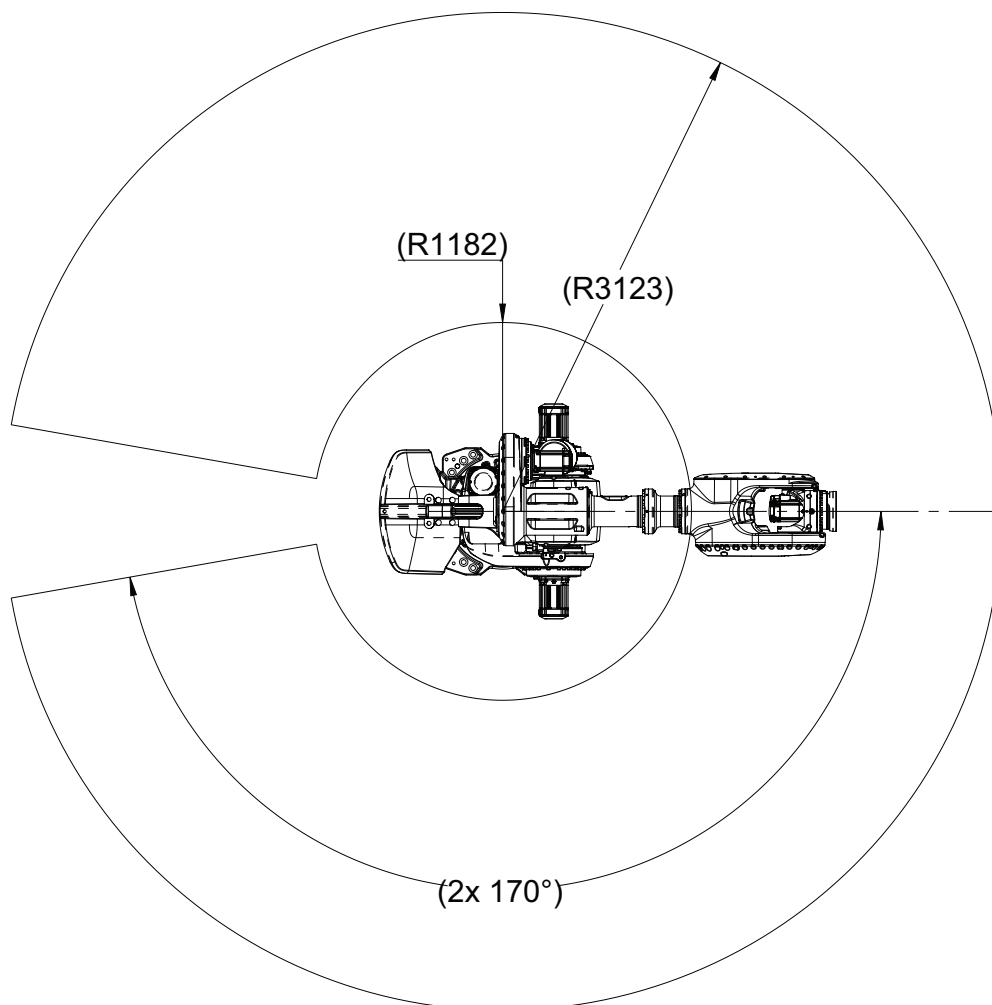
## 2 Technical data for IRB 7720

---

### 2.1.4 Working range

*Continued*

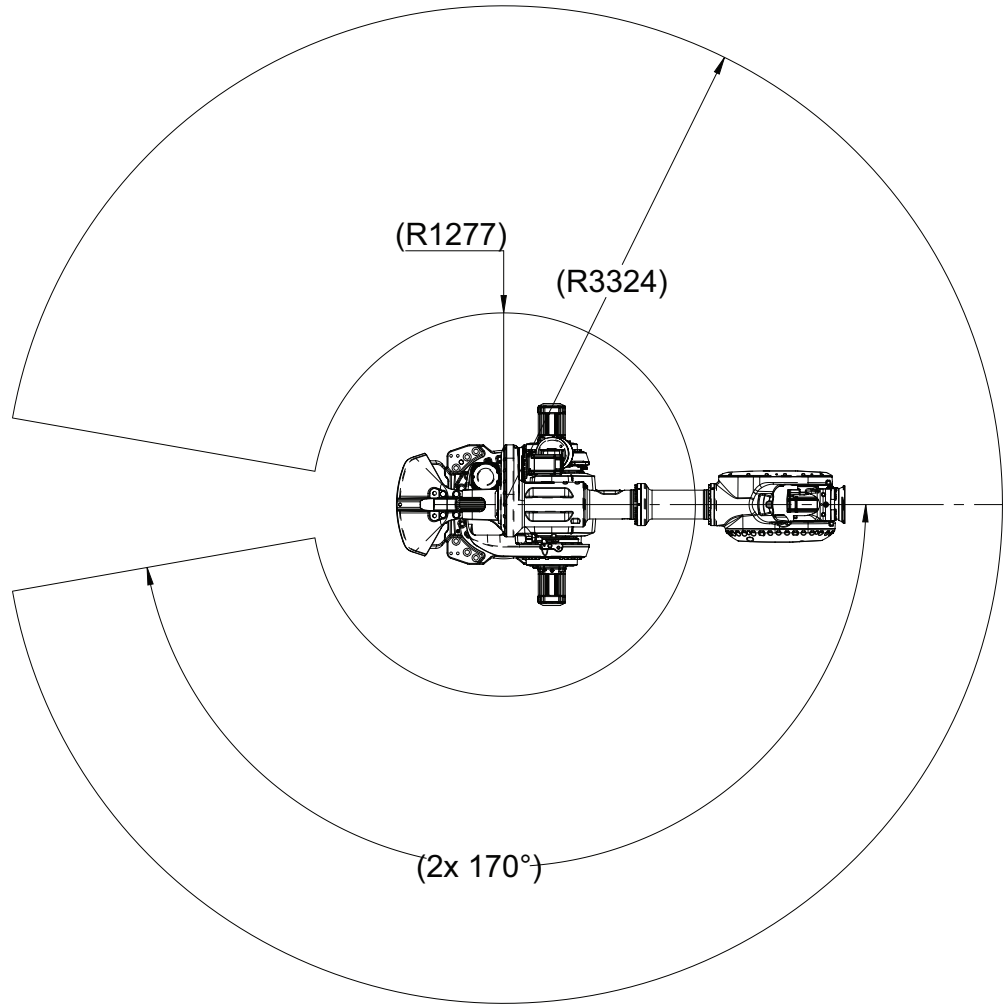
IRB 7720-530/3.1, IRB 7720-480/3.1 LID



xx2400000327

*Continues on next page*

IRB 7720-510/3.3, IRB 7720-400/3.3 LID



xx240000328

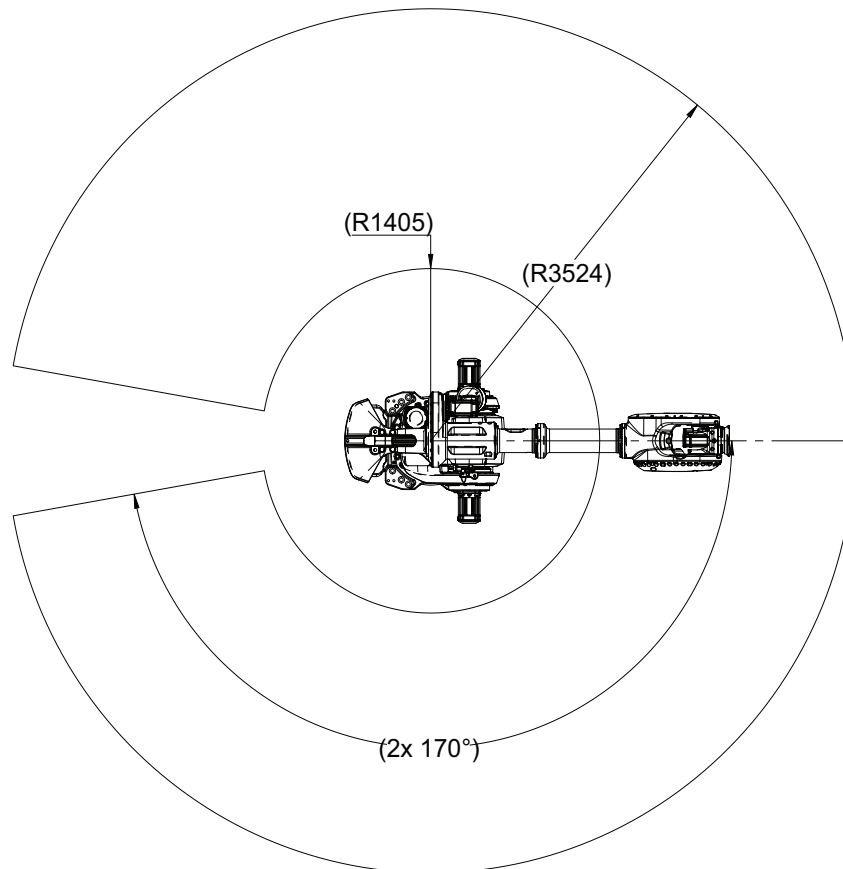
Continues on next page

## 2 Technical data for IRB 7720

### 2.1.4 Working range

Continued

IRB 7720-450/3.5, IRB 7720-400/3.5 LID



xx2400000329

### Working range

Axis	Working range	Note
Axis 1	$\pm 170^\circ$	
	$\pm 220^\circ$ <sup>i</sup> <sup>ii</sup>	The default working range for axis 1 can be extended as an option.
Axis 2	$-65^\circ / +82.2^\circ$	
Axis 3	$-27^\circ / +130^\circ$	
Axis 4	$\pm 300^\circ$	
Axis 5	$\pm 130^\circ$	IRB 7720-620/2.9, IRB 7720-530/3.1, IRB 7720-510/3.3, IRB 7720-450/3.5
	$\pm 120^\circ$ <sup>iii</sup>	IRB 7720-560/2.9 LID, IRB 7720-480/3.1 LID, IRB 7720-400/3.3 LID, IRB 7720-400/3.5 LID
Axis 6	$\pm 360^\circ$	IRB 7720-620/2.9, IRB 7720-530/3.1, IRB 7720-510/3.3, IRB 7720-450/3.5
	$\pm 220^\circ$ <sup>iii</sup>	IRB 7720-560/2.9 LID, IRB 7720-480/3.1 LID, IRB 7720-400/3.3 LID, IRB 7720-400/3.5 LID

<sup>i</sup> Option Extended Working Range Axis 1 (3324-1)

<sup>ii</sup> Not valid for DressPack SW.

<sup>iii</sup> Maximum combined movements reduced.

Continues on next page

See [Working range axis 5 and axis 6 for IRB 7720-560/2.9 LID, IRB 7720-480/3.1 LID, IRB 7720-400/3.3 LID, IRB 7720-400/3.5 LID \(option axis 3-6 \[3326-x\]\) on page 38.](#)

### Working range limitation

The working range of axis 1 can be reduced by altering the parameter values. Installation of additional mechanical stops is recommended. See [Working range alterations on page 57.](#)

## 2 Technical data for IRB 7720

### 2.1.5 Robot motion

### 2.1.5 Robot motion

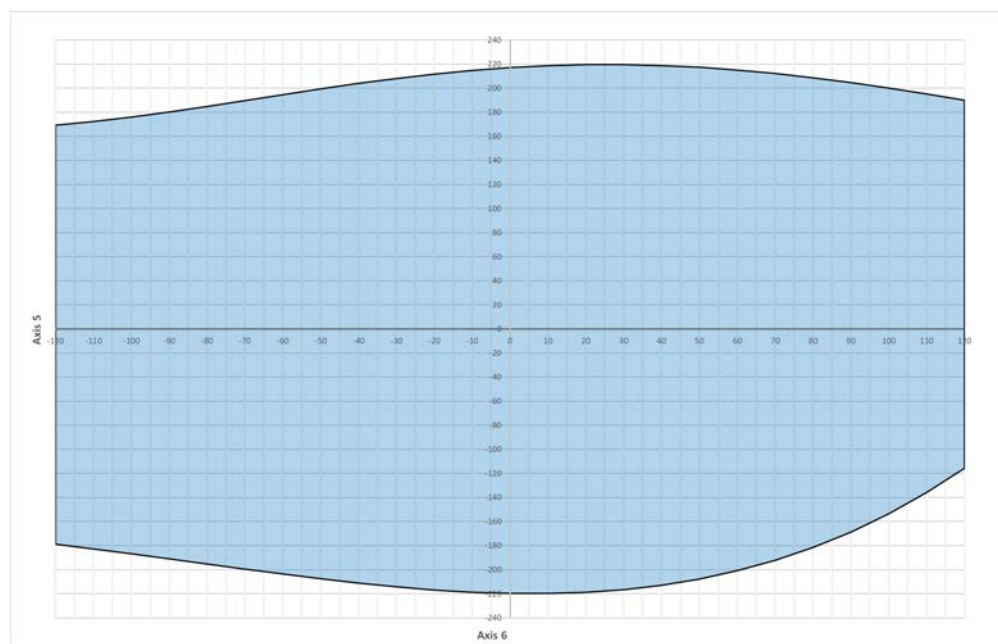
#### Limitations of robot movements for LeanID

Robot variants with LeanID have restricted working range implemented in RobotWare. See [Working range on page 36](#).

#### Working range axis 5 and axis 6 for IRB 7720-560/2.9 LID, IRB 7720-480/3.1 LID, IRB 7720-400/3.3 LID, IRB 7720-400/3.5 LID (option axis 3-6 [3326-x])

The allowed working area for axis 6 related to axis 5 position is shown in the figure below.

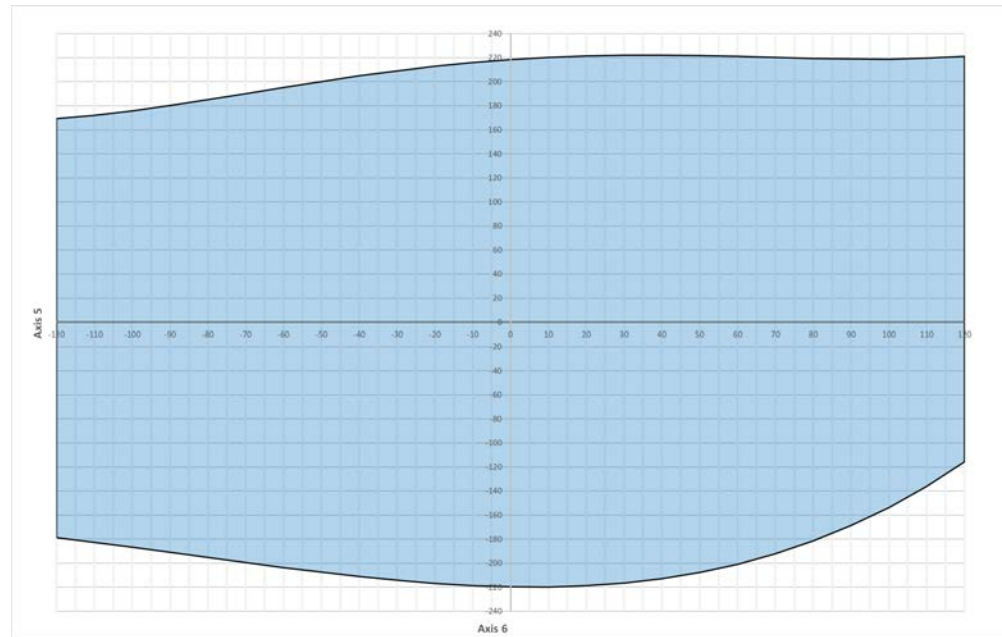
IRB 7720-560/2.9 LID, IRB 7720-480/3.1 LID:



xx2400000286

*Continues on next page*

IRB 7720-400/3.3 LID, IRB 7720-400/3.3 LID:



xx240000285



**Note**

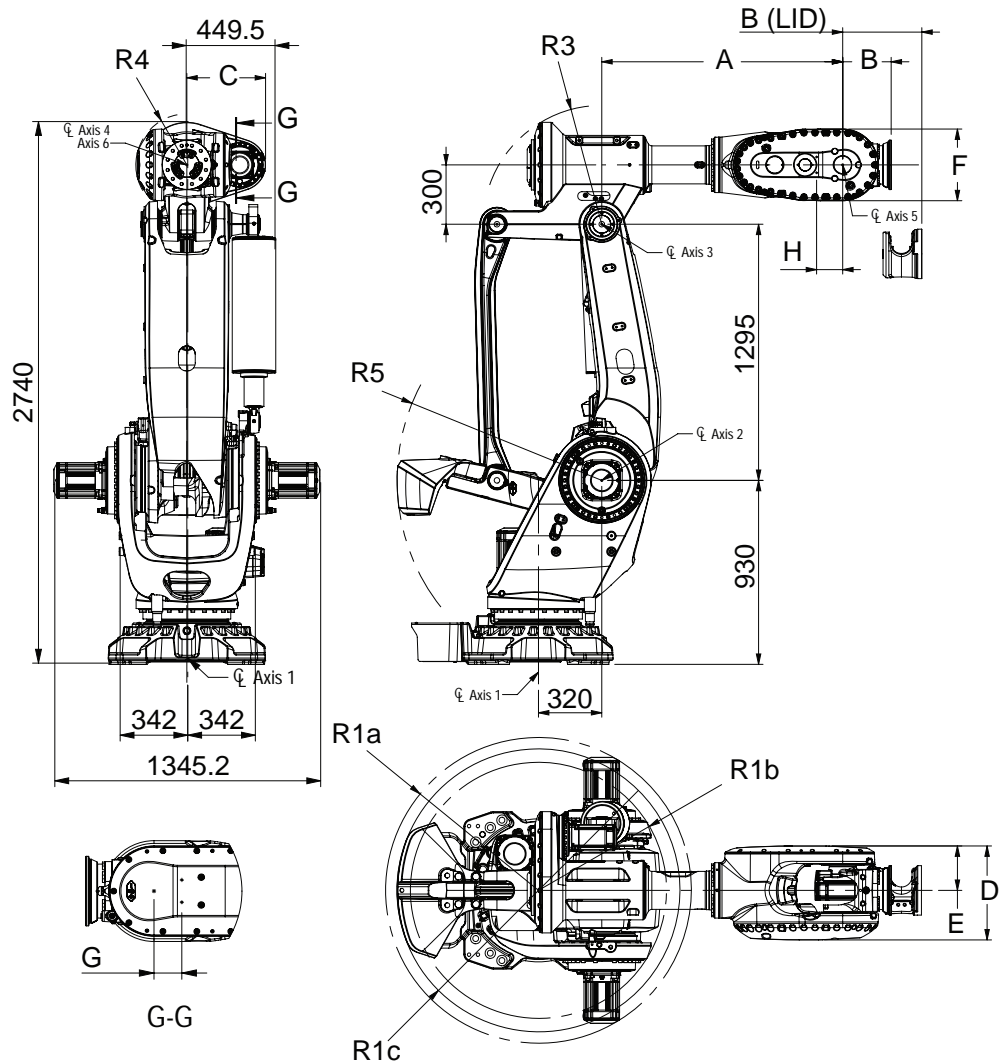
The working range for LeanID variants is controlled and protected by software.

## 2 Technical data for IRB 7720

### 2.2 Fitting equipment on the robot (robot dimensions)

### 2.2 Fitting equipment on the robot (robot dimensions)

#### Robot dimensions



xx2400000270

R1a	Smallest circumscribed radius around axis 1 (side)
R1b	Smallest circumscribed radius around axis 1 (front side)
R1c	Smallest circumscribed radius around axis 1 (side)
R3	Smallest circumscribed radius around axis 3
R4	Smallest circumscribed radius around axis 4
R5	Smallest circumscribed radius around counter weight

#### Measurements

The measurements are given in mm.

Variant	A	B	C	D	E	F	G	H	R1a	R1b	R1c	R3	R4	R5
IRB 7720-620/2.9	1,268	270	488	520	240	407	120	140	774	647	772	600	292	546

Continues on next page



Variant	A	B	C	D	E	F	G	H	R1a	R1b	R1c	R3	R4	R5
IRB 7720-530/3.1	1,498	270	488	520	240	407	120	140	774	647	772	600	292	546
IRB 7720-510/3.3	1,708	245	398	475	225	362	100	132	774	647	772	601	258	546
IRB 7720-450/3.5	1,918	245	398	475	225	362	100	132	774	647	772	601	258	546
IRB 7720-560/2.9 LID	1,268	425	488	520	240	407	120	140	774	647	772	599	292	546
IRB 7720-480/3.1 LID	1,498	425	488	520	240	407	120	140	774	647	772	599	292	546
IRB 7720-400/3.3 LID	1,708	400	398	475	225	362	100	132	774	647	772	601	258	546
IRB 7720-400/3.5 LID	1,918	400	398	475	225 <td 362	100	132	774	647	772	601	258	546	

**Extra load on the robot**

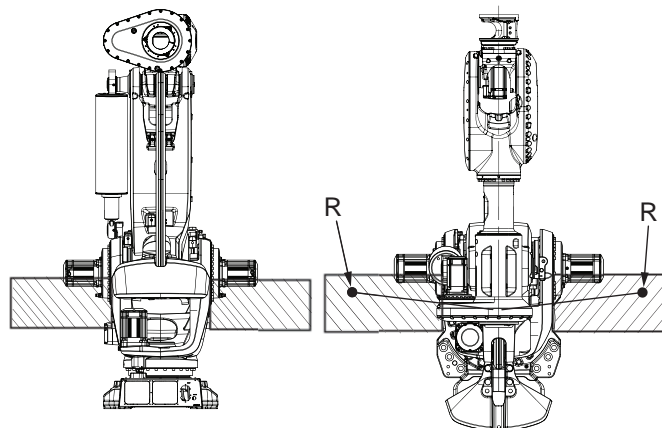
Extra loads can be mounted on robot. Definitions of dimensions and masses are shown in the following figures. The robot is supplied with holes for fitting extra equipment.

Maximum allowed arm load depends on center of gravity of arm load and robot payload.

**Frame**

The table and figure shows allowed extra load on the frame.

	Description
Permitted extra load on frame	$J_H = 100 \text{ kgm}^2$
Recommended position (see the following figure)	$J_H = J_{H0} + M4 \times R^2$ where: <ul style="list-style-type: none"> <li>• <math>J_{H0}</math> is the moment of inertia of the equipment</li> <li>• <math>R</math> is the radius (m) from the center of axis 1</li> <li>• <math>M4</math> is the total mass (kg) of the equipment including bracket and harness (<math>\leq 250 \text{ kg}</math>)</li> </ul>



xx240000249

Continues on next page

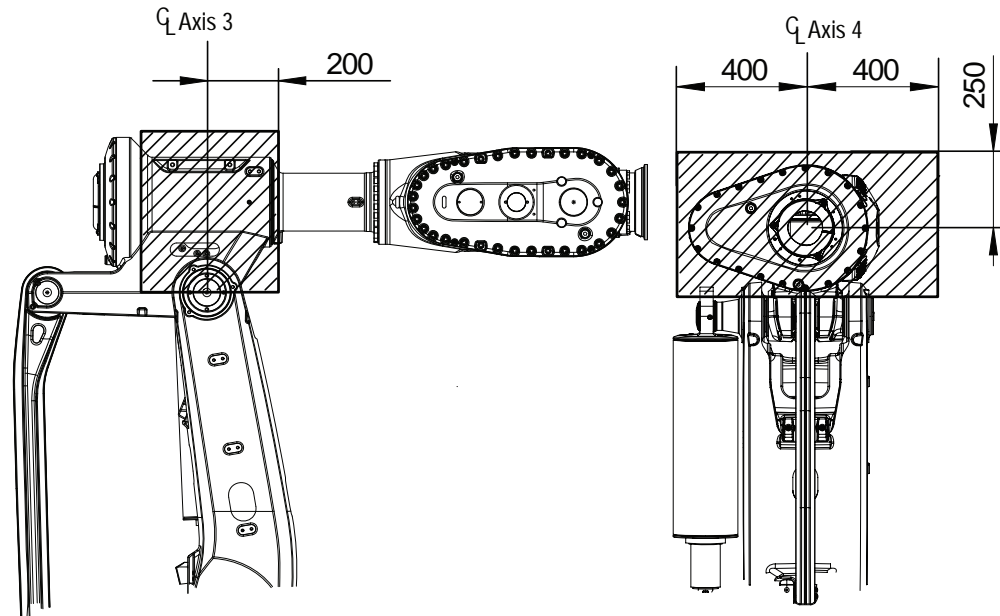
## 2 Technical data for IRB 7720

### 2.2 Fitting equipment on the robot (robot dimensions)

*Continued*

#### Upper arm

The figure shows the position for a nominal extra load of 50 kg on the upper arm housing on a standard robot. For more precise calculations of allowed extra load up to maximum 200 kg in combination with the reduced payload, use RobotStudio add-in RobotLoad or contact ABB.



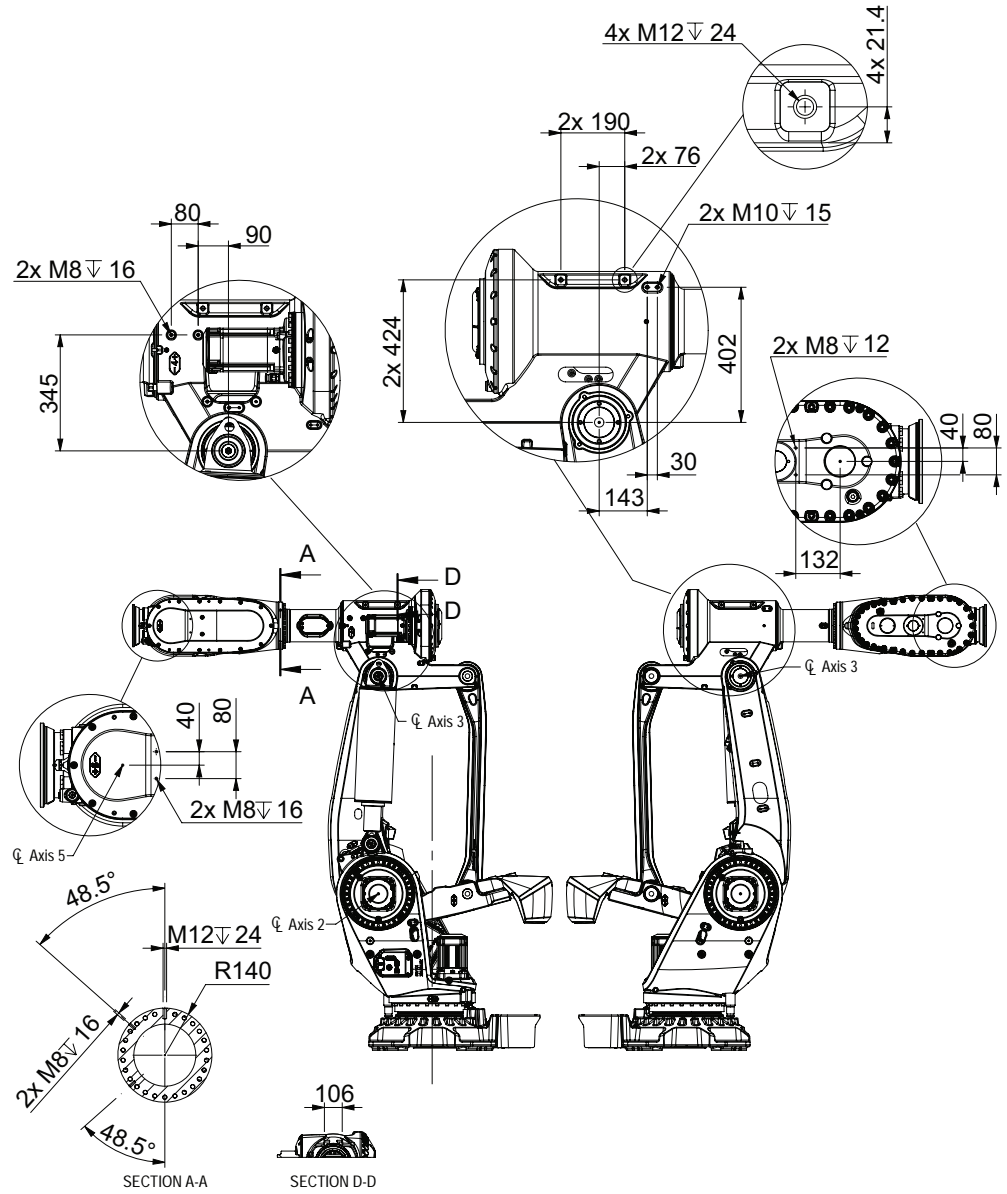
xx240000248

*Continues on next page*

Attachment holes for fitting extra equipment

The robot is supplied with holes for fitting extra equipment.

Upper arm



xx240000271

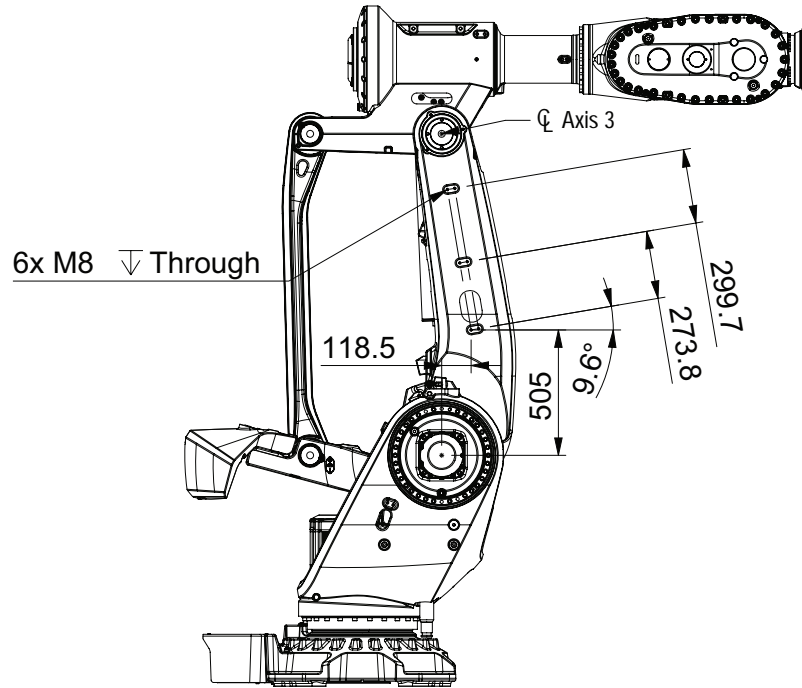
Continues on next page

## 2 Technical data for IRB 7720

### 2.2 Fitting equipment on the robot (robot dimensions)

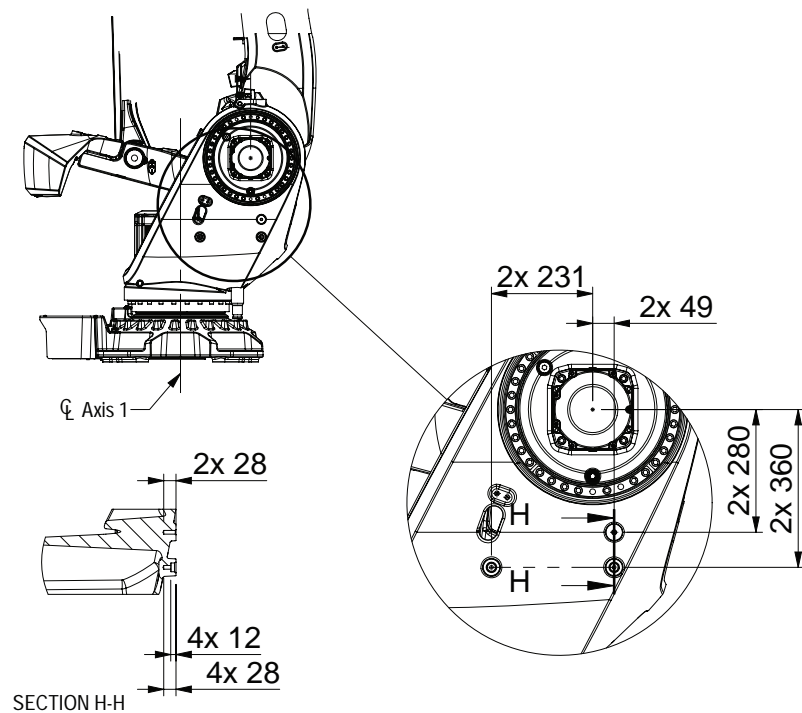
Continued

#### Lower arm



xx2400000273

#### Frame



xx2400000273

Continues on next page

Tool flange dimensions

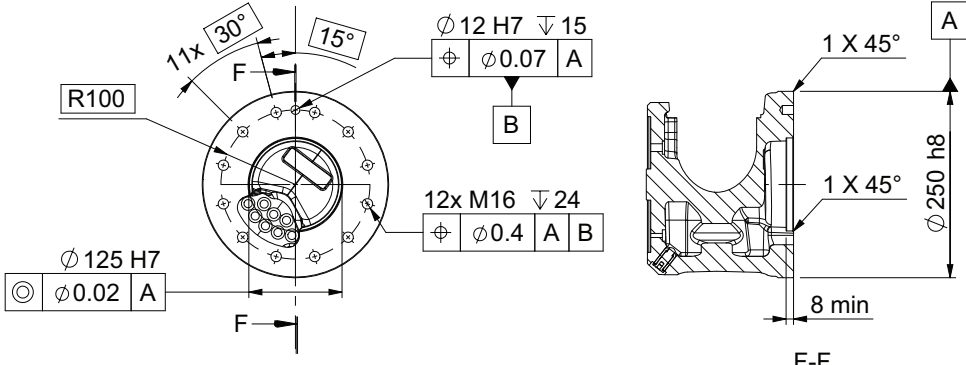
Robot variant	Tool flange dimension
IRB 7720-620/2.9 IRB 7720-530/3.1	<p>xx2400000276</p>
IRB 7720-510/3.3 IRB 7720-450/3.5	<p>xx2400000274</p>
IRB 7720-560/2.9 LID IRB 7720-480/3.1 LID	<p>xx2400000277</p>
IRB 7720-400/3.3 LID IRB 7720-400/3.5 LID	

Continues on next page

## 2 Technical data for IRB 7720

### 2.2 Fitting equipment on the robot (robot dimensions)

Continued

Robot variant	Tool flange dimension
	 <p data-bbox="434 689 542 725">xx2400000275</p>

#### Fastener quality

When fitting tools on the tool flange, only use screws with quality 12.9. For other equipment use suitable screws and tightening torque for your application.

## 2.3 Mechanical data for installation

### Detailed installation instructions

All detailed installation instructions are found in *Product manual - IRB 7720*.

### Attachment screws

The table below specifies the type of securing screws and washers to be used for securing the robot to the base plate/foundation.

Suitable screws	M24 x 100
Quantity	12 pcs
Quality	8.8
Suitable washer	4 mm flat washer
Guide pins	Locating pin: 3HAC051645-001 (2 pcs) Locating pins are required if mounting the manipulator to a track motion or to a base plate. Locating pins are also required for robots with option Absolute Accuracy. For more information, see <a href="#">Base plate, locating pins on page 54</a> .
Tightening torque	550 Nm (screws lubricated with Molykote 1000) 600-725 Nm, typical 650 Nm (screws none or lightly lubricated)
Screw tightening yield point utilization factor (v) (according to VDI2230)	90% (v=0.9)
Level surface requirements	0.3 mm <sup>i</sup>

<sup>i</sup> See [Requirements, foundation on page 21](#).

*Continues on next page*

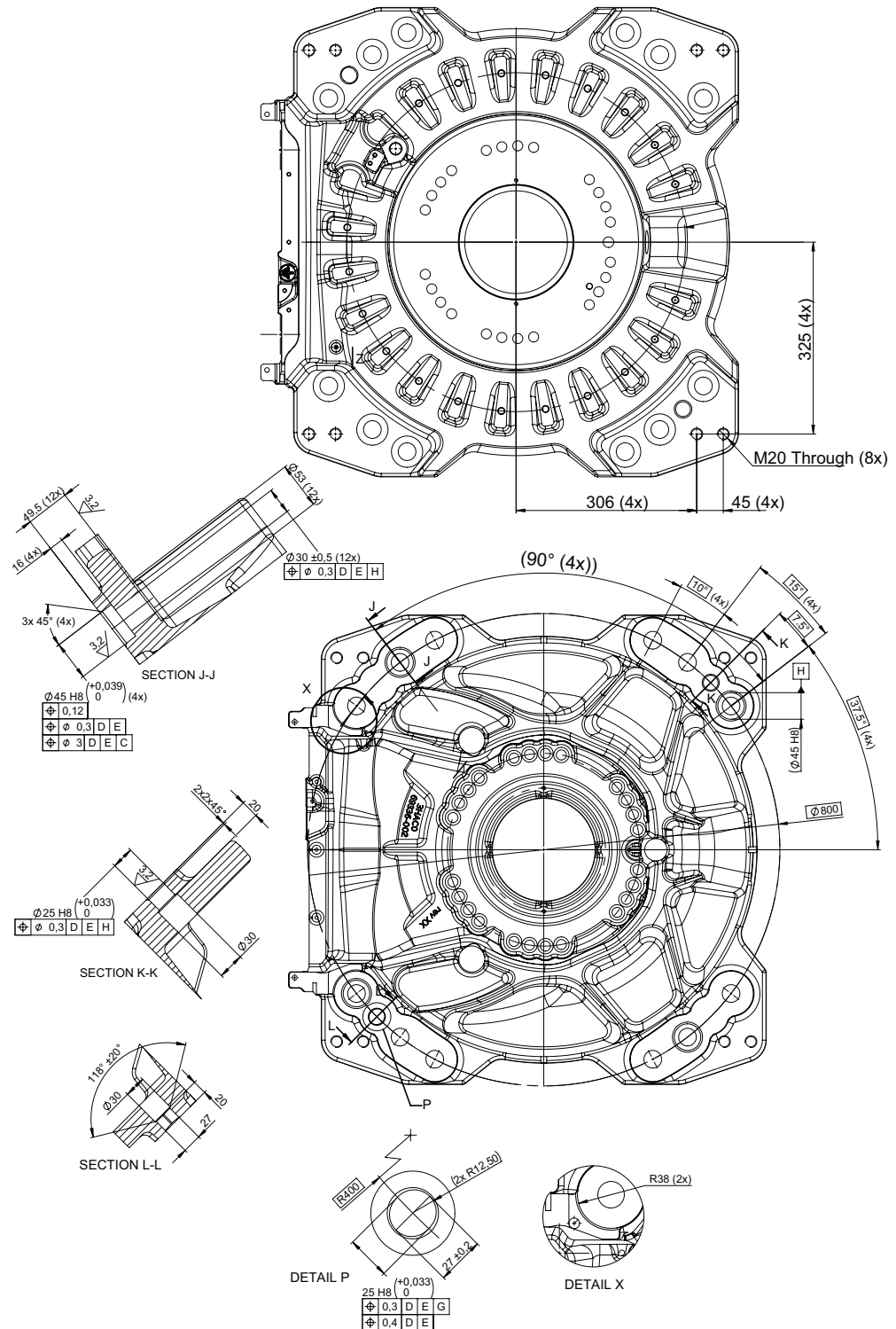
## 2 Technical data for IRB 7720

### 2.3 Mechanical data for installation

Continued

#### Hole configuration, base

This illustration shows the hole configuration used when securing the robot.



xx240000132



## 2.4 Installing a base plate

### Advantages of using a base plate

Instead of installing the robot directly on the floor, a base plate can be manufactured and used as an adapter between the floor and the robot base. This list specifies some of the advantages of using a base plate:

- to ensure a plain surface with a high precision of the robot base hole configuration
- to simplify adjustment of levelness by machined surfaces or by using shims
- to distribute the press force from the robot to a larger foot print
- to compensate poor floor quality that might not be suitable for fastening the robot base directly onto. The base plate has a greater number of fastening points to the foundation and makes a larger footprint, which reduces the load on each fastening point.
- to reduce surface pressure on the foundation contact points, which minimizes the risk of wearing down an uneven surface and thereby causing changes in the robot fastening tightening torque
- to be able to prepare the installation site before robot delivery
- to increase the precision between the positions of an installed robot and other equipment



#### Note

Do not use a base plate for installation of an inverted robot.

*Continues on next page*

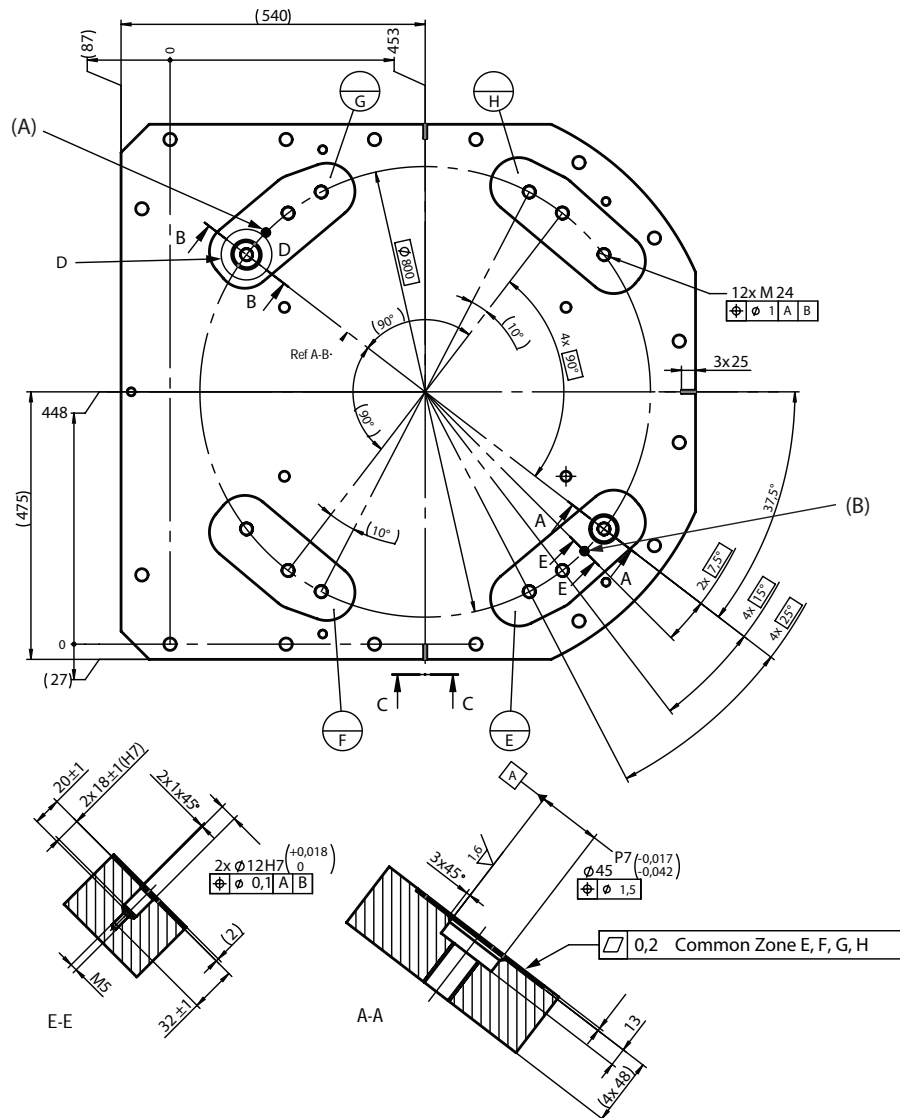
## 2 Technical data for IRB 7720

### 2.4 Installing a base plate

Continued

#### Base plate drawing

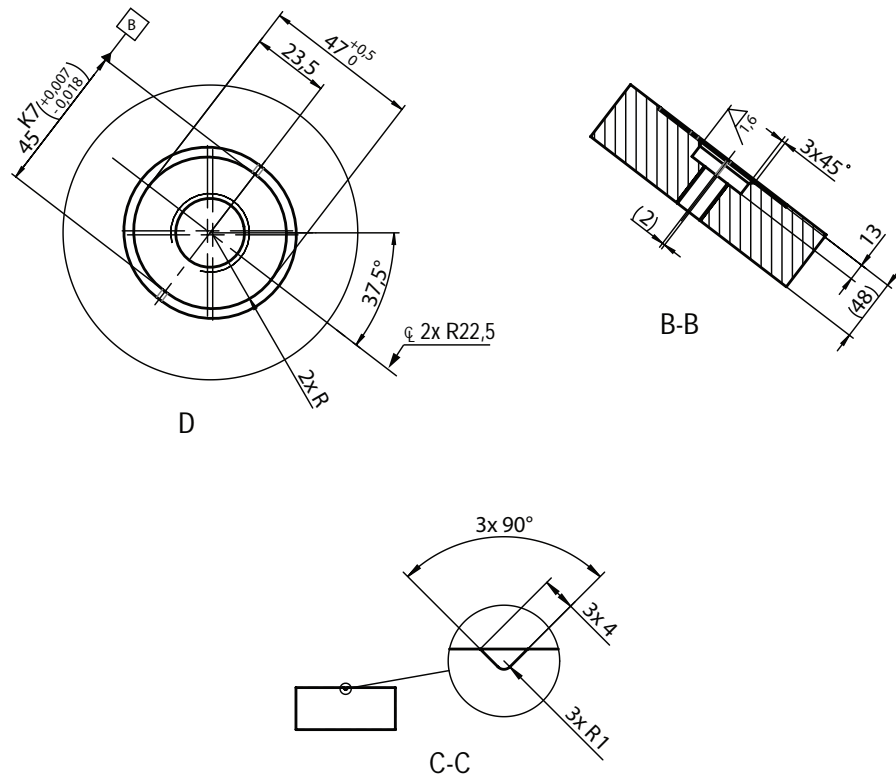
The following figure shows the dimensions for a base plate (dimensions in mm).



xx1500000246

Pos	Description
A, B	Hole for locating pins, see <a href="#">Base plate, locating pins on page 54</a>
E, F, G, H	Common tolerance zone (accuracy all over the base plate from one contact surface to the other)

Continues on next page

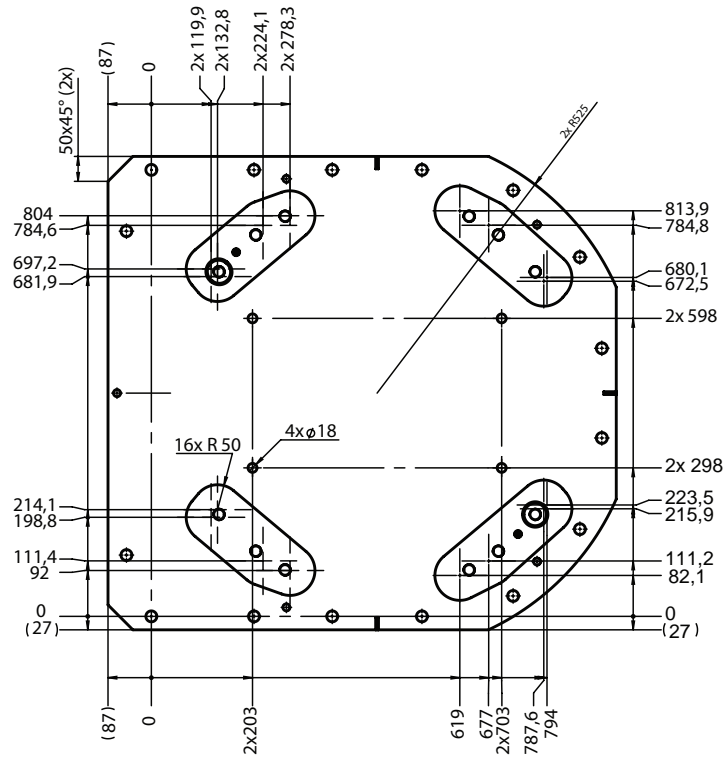
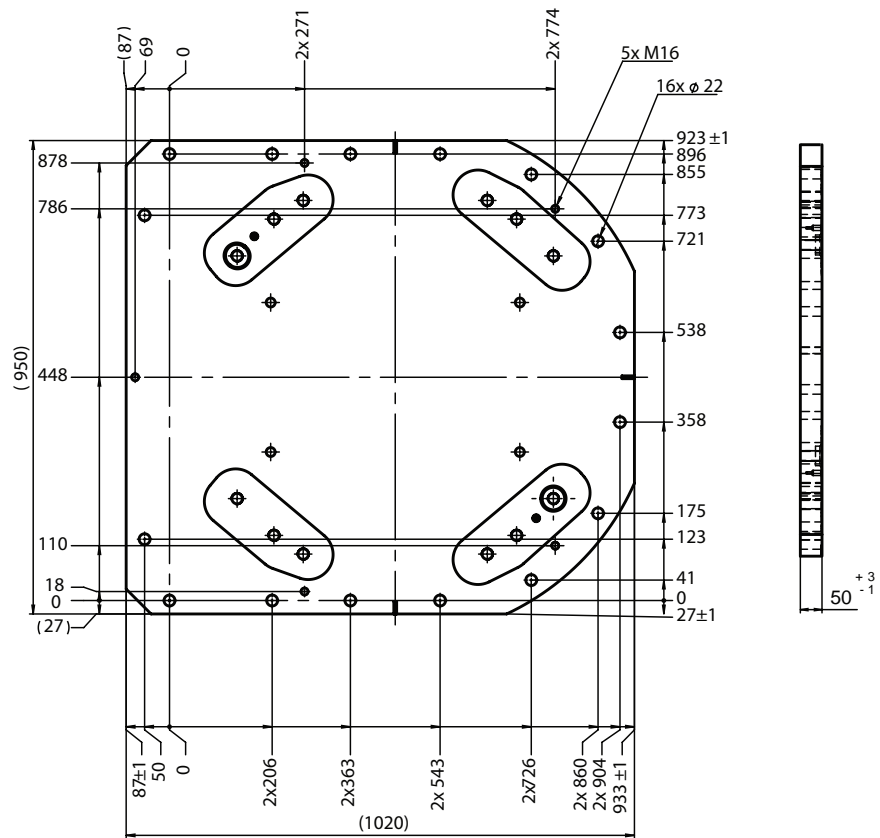


xx150000247

## 2 Technical data for IRB 7720

### 2.4 Installing a base plate

Continued

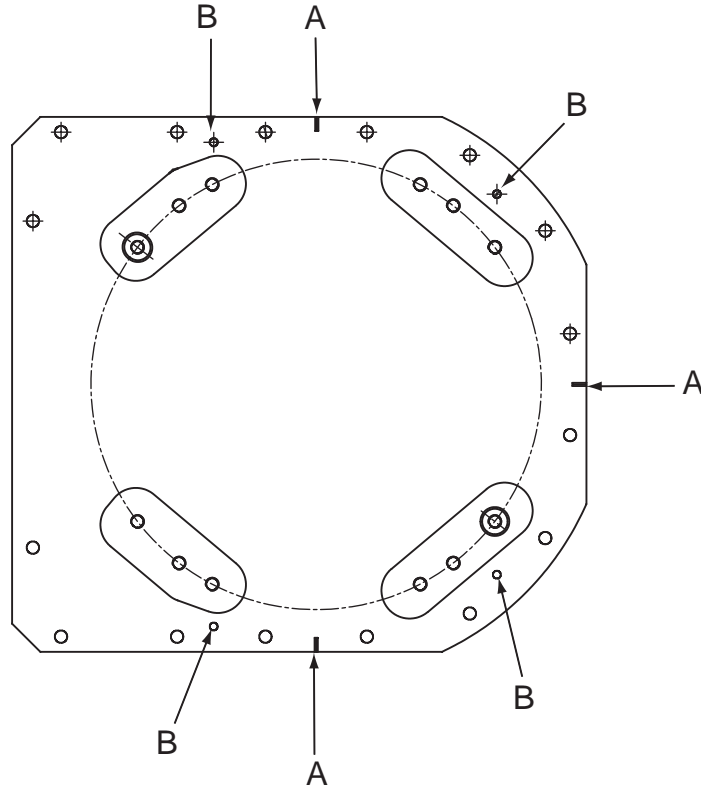


xx150000249

Continues on next page

**Base plate, orienting grooves and leveling bolts**

The illustration below shows the orienting grooves and attachment holes for leveling bolts in the base plate.



xx150000312

A	Orienting grooves (3 pcs)
B	Levelling bolts, attachment holes (4 pcs)

Continues on next page

## 2 Technical data for IRB 7720

### 2.4 Installing a base plate

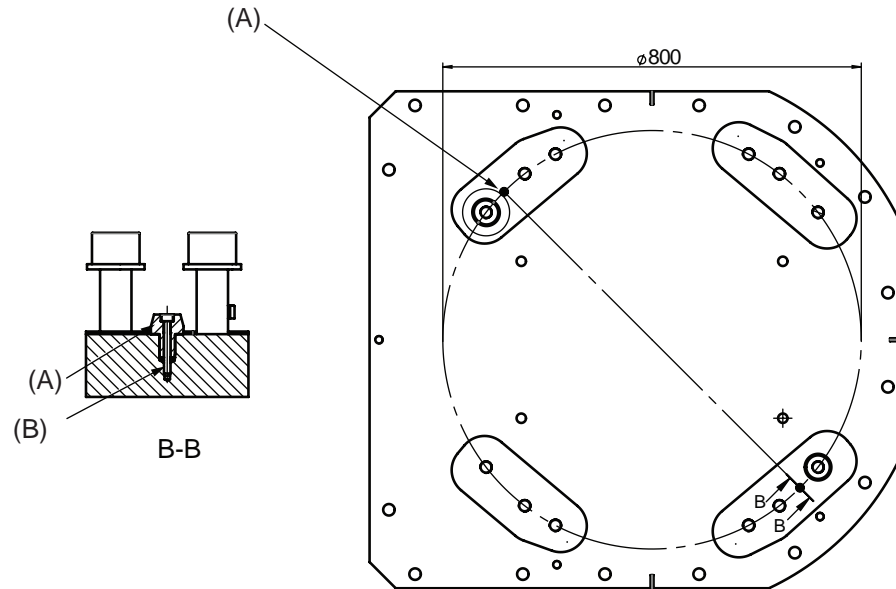
*Continued*

#### Base plate, locating pins

Locating pins are the recommended positioning components and especially required for robots with option Absolute Accuracy.

#### Assembly of locating pins

The figure below shows the locating pins installed in the base plate.

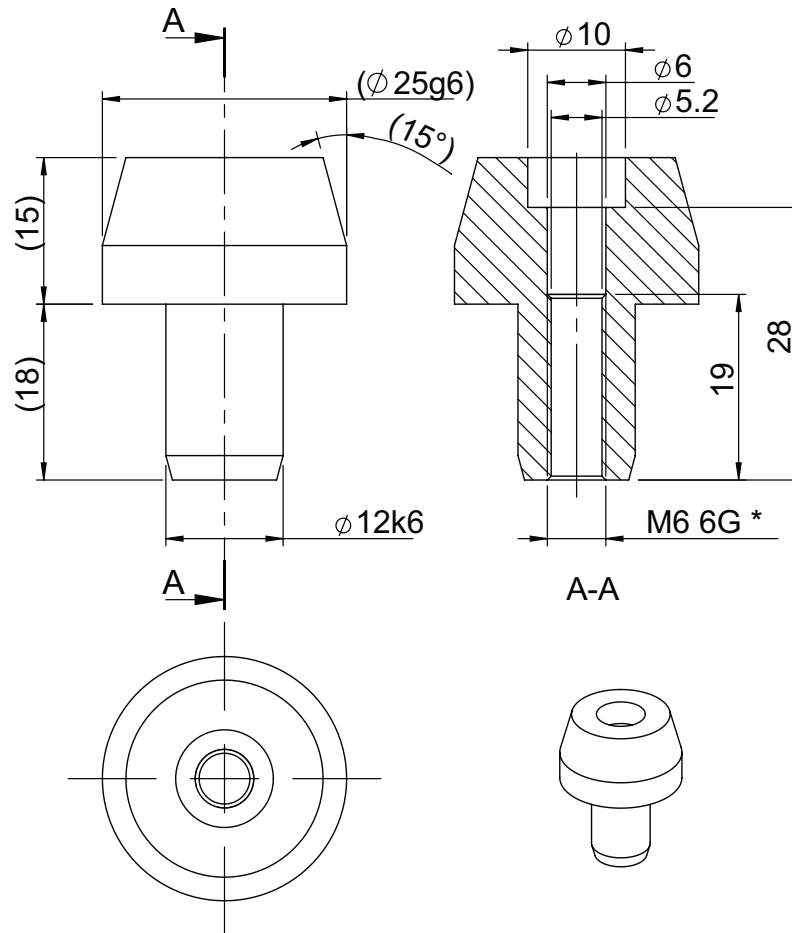


xx1500000250

Pos	Description
A	Locating pin: 3HAC051645-001 (2 pcs)
B	M5 x 40. Tightening torque 6 Nm. (x2)

*Continues on next page*

Dimension of locating pins (guide pins)



XX1500000248

Pos	Description
-	Cylindrical guide pin (Requires attachment screws, see <a href="#">Assembly of locating pins on page 54.</a> )
*	Threaded M6 hole that can be used for removal of the locating pin, for example with a slide hammer.

Continues on next page

## 2 Technical data for IRB 7720

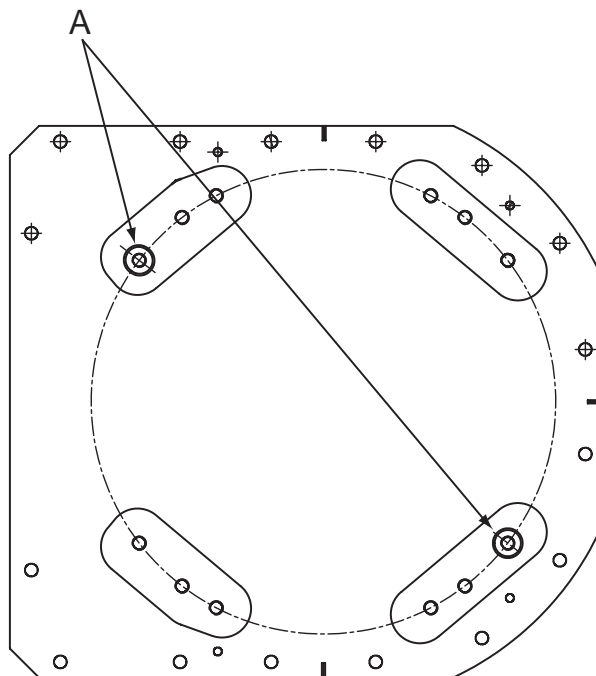
### 2.4 Installing a base plate

*Continued*

#### Base plate, guide sleeve holes

Guide sleeves are not recommended for robots with option Absolute Accuracy.

The illustration below shows the guide sleeve holes in the base plate.



xx030000045

A	Guide sleeve holes (2 pcs)
---	----------------------------



## 2.5 Working range alterations

### 2.5.1 Adjusting the working range

#### Reasons for adjusting the manipulator working range

The working range of each manipulator axis is configured in the software. If there is a risk that the manipulator may collide with other objects at installation site, its working space should be limited. The manipulator must always be able to move freely within its entire working space.

#### Working range configurations

The parameter values for the axes working range can be altered within the allowed working range and according to available options for the robot, either to limit or to extend a default working range. Allowed working ranges and available options for each manipulator axis are specified in [Working range on page 36](#).

#### Mechanical stops on the manipulator

Mechanical stops are and can be installed on the manipulator as limiting devices to ensure that the manipulator axis does not exceed the working range values set in the software parameters.



#### Note

The mechanical stops are only installed as safety precaution to physically stop the robot from exceeding the working range set. A collision with a mechanical stop always requires actions for repair and troubleshooting.

Axis	Fixed mechanical stop <sup>i</sup>	Movable mechanical stop <sup>ii</sup>
Axis 1	yes	yes The working range can be reduced by altering the parameter values. Installation of additional mechanical stops is recommended. The working range can be extended (option 3324-1) by altering the parameter values and removing the movable mechanical stop pin.
Axis 2	yes	no
Axis 3	yes	no
Axis 4	no	no
Axis 5	yes	no
Axis 6	no	no

<sup>i</sup> Part of the casting or fixed on the casting and can not /should not be removed.

<sup>ii</sup> Can be installed in one or more than one position, to ensure a reduced working range, or be removed to allow extended working range.

## 2 Technical data for IRB 7720

### 2.5.2 Installing movable mechanical stops on axis 1 (option 3323-1)

### 2.5.2 Installing movable mechanical stops on axis 1 (option 3323-1)

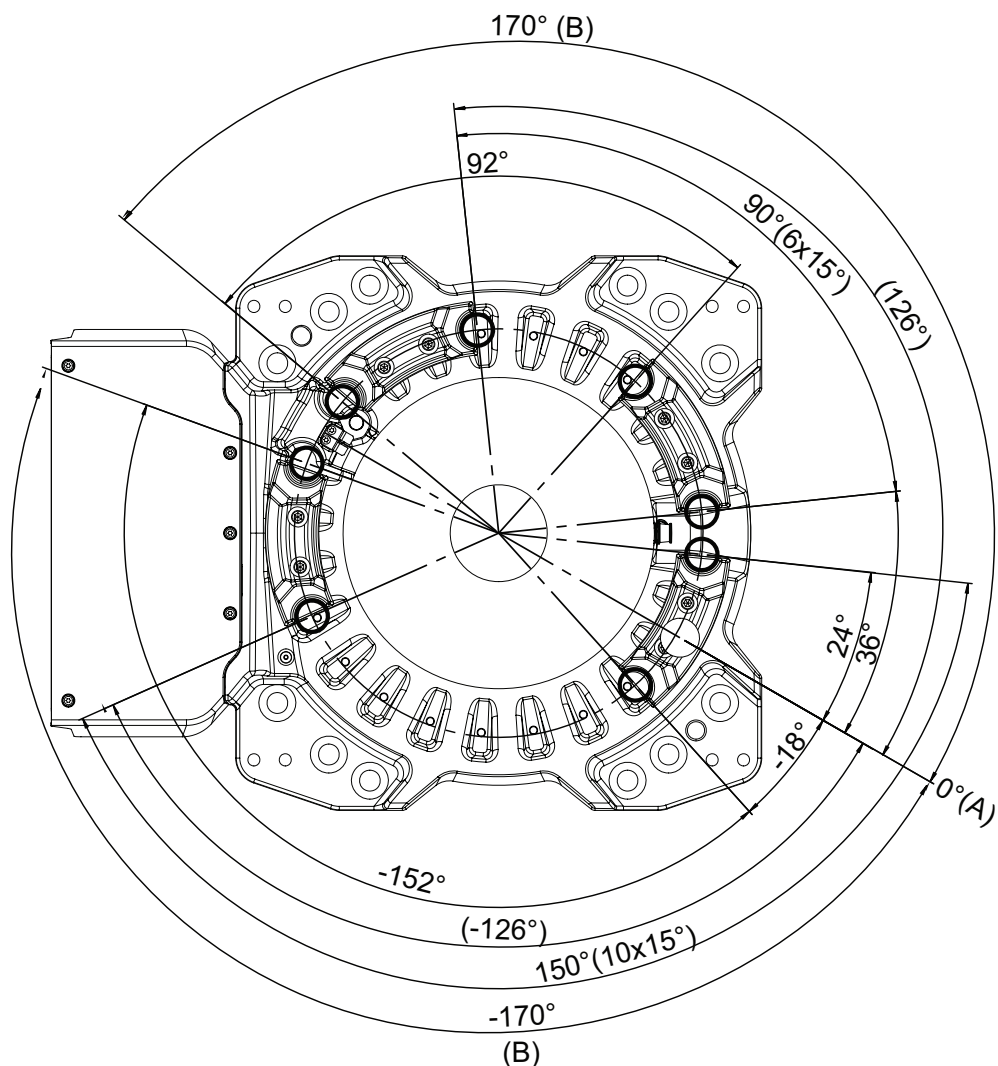
#### Reduction of the axis-1 working range

The working range of axis 1 is limited by system parameter configuration. To reduce the working range from default range, first adjust the parameter values and then install additional mechanical stops as a safety measure.

The movable mechanical stops reduce the working range according to the table.

Graduation of limited working range	Reduction of working range
15°	between +24° to +126° in one direction, and -18° to -126° in the other direction

Illustration, reduced working range



xx2400001307

A	Axis 1 position
B	Standard working range without limitations

Continues on next page

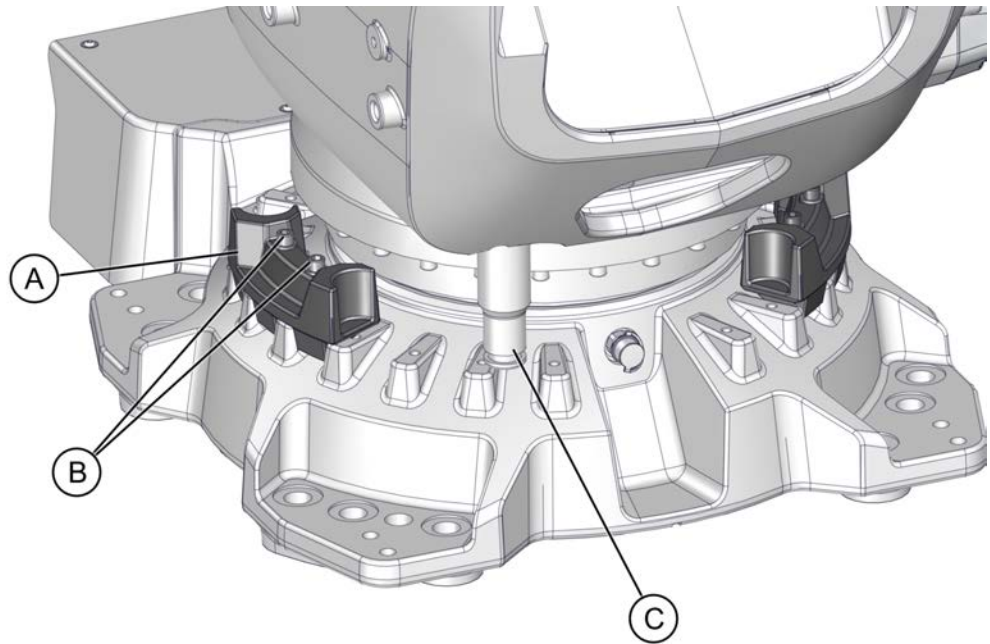


**WARNING**

If the mechanical stop pin is deformed after a hard collision, it must be replaced!  
Deformed movable stops and/or additional stops as well as deformed attachment screws must also be replaced after a hard collision.

**Location of the mechanical stops**

The mechanical stops are located as shown in the figure.



xx240000996

A	Attachment screws M12x70 quality 12.9 and washers DIN 125 (2 pcs per additional mechanical stop); Tightening torque 60 Nm
B	Movable mechanical stop
C	Mechanical stop pin axis-1

**Installing the movable mechanical stops**

See the product manual for installation procedure.

## 2 Technical data for IRB 7720

### 2.6.1 Calibration methods

## 2.6 Calibration and references

### 2.6.1 Calibration methods

#### Overview

This section specifies the different types of calibration and the calibration methods that are supplied by ABB.

More information is available in the product manual.

#### Types of calibration

Type of calibration	Description	Calibration method
Standard calibration	The calibrated robot is positioned at calibration position. Standard calibration data is found on the SMB (serial measurement board) or EIB in the robot.	Axis Calibration
Absolute accuracy calibration (optional)	Based on standard calibration, and besides positioning the robot at synchronization position, the Absolute accuracy calibration also compensates for: <ul style="list-style-type: none"><li>Mechanical tolerances in the robot structure</li><li>Deflection due to load</li></ul> Absolute accuracy calibration focuses on positioning accuracy in the Cartesian coordinate system for the robot. Absolute accuracy calibration data is found on the serial measurement board (SMB) or other robot memory. A robot calibrated with Absolute accuracy has the option information printed on its name plate (OmniCore). To regain 100% Absolute accuracy performance, the robot must be recalibrated for absolute accuracy after repair or maintenance that affects the mechanical structure.	CalibWare

#### Brief description of calibration methods

##### Axis Calibration method

Axis Calibration is a standard calibration method for calibration of IRB 7720. It is the recommended method in order to achieve proper performance.

The following routines are available for the Axis Calibration method:

- Fine calibration
- Update revolution counters
- Reference calibration

The calibration equipment for Axis Calibration is delivered as a toolkit.

The actual instructions of how to perform the calibration procedure and what to do at each step is given on the FlexPendant. You will be guided through the calibration procedure, step by step.

*Continues on next page*

#### CalibWare - Absolute Accuracy calibration

The CalibWare tool guides through the calibration process and calculates new compensation parameters. This is further detailed in the *Application manual - CalibWare Field*.

If a service operation is done to a robot with the option Absolute Accuracy, a new absolute accuracy calibration is required in order to establish full performance. For most cases after replacements that do not include taking apart the robot structure, standard calibration is sufficient.

The Absolute Accuracy option varies according to the robot mounting position. This is printed on the robot name plate for each robot. The robot must be in the correct mounting position when it is recalibrated for absolute accuracy.

## 2 Technical data for IRB 7720

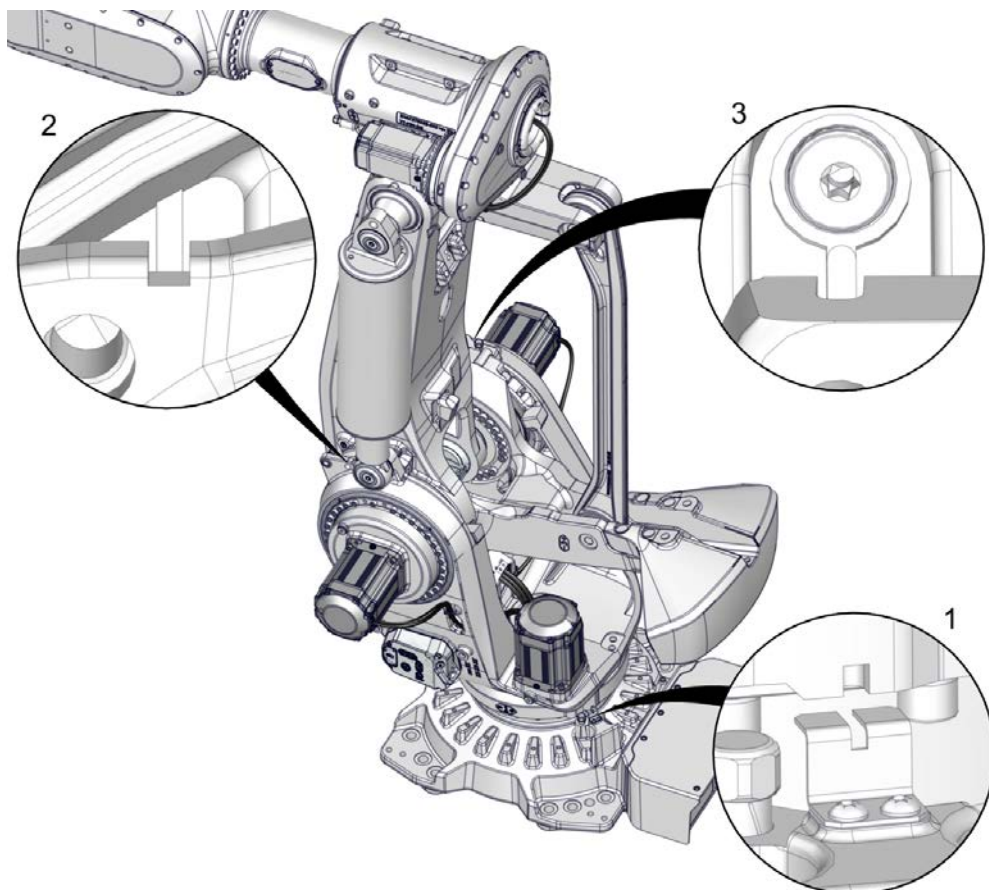
### 2.6.2 Synchronization marks and synchronization position for axes

### 2.6.2 Synchronization marks and synchronization position for axes

#### Introduction

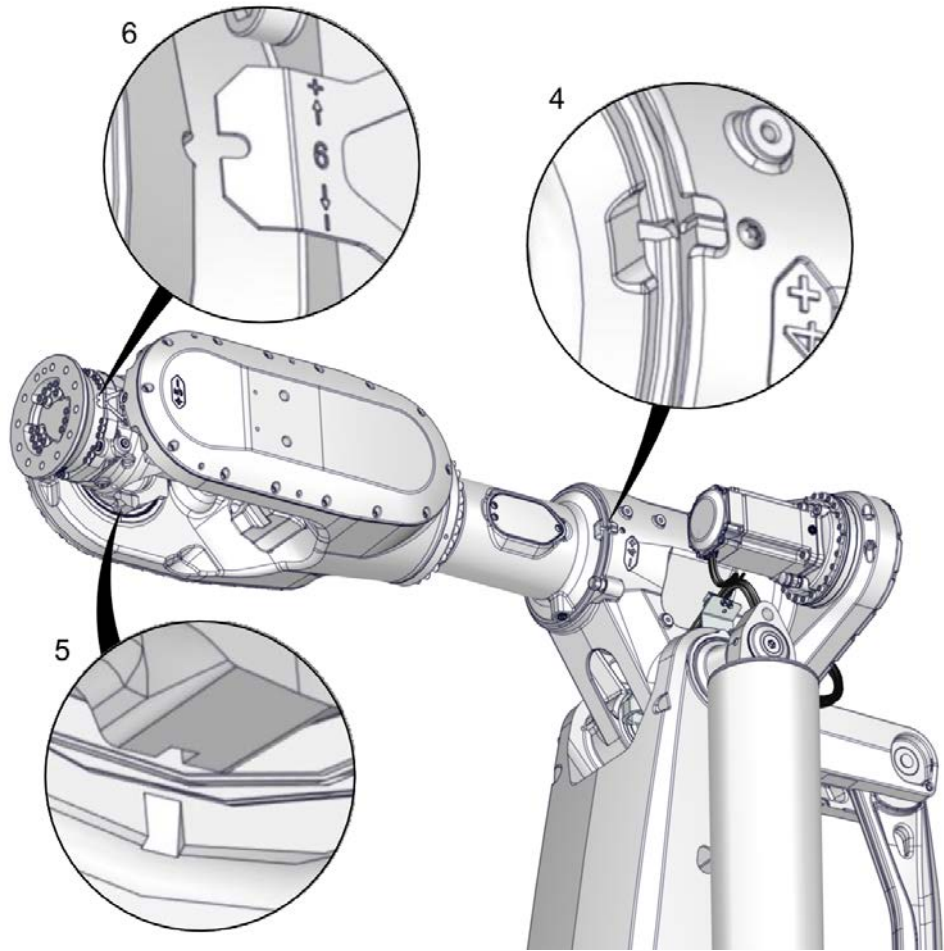
This section shows the position of the synchronization marks and the synchronization position for each axis.

#### Synchronization marks, IRB 7710, IRB 7720



xx240000017

*Continues on next page*



xx240000018

## 2 Technical data for IRB 7720

### 2.6.3 Calibration movement directions for all axes

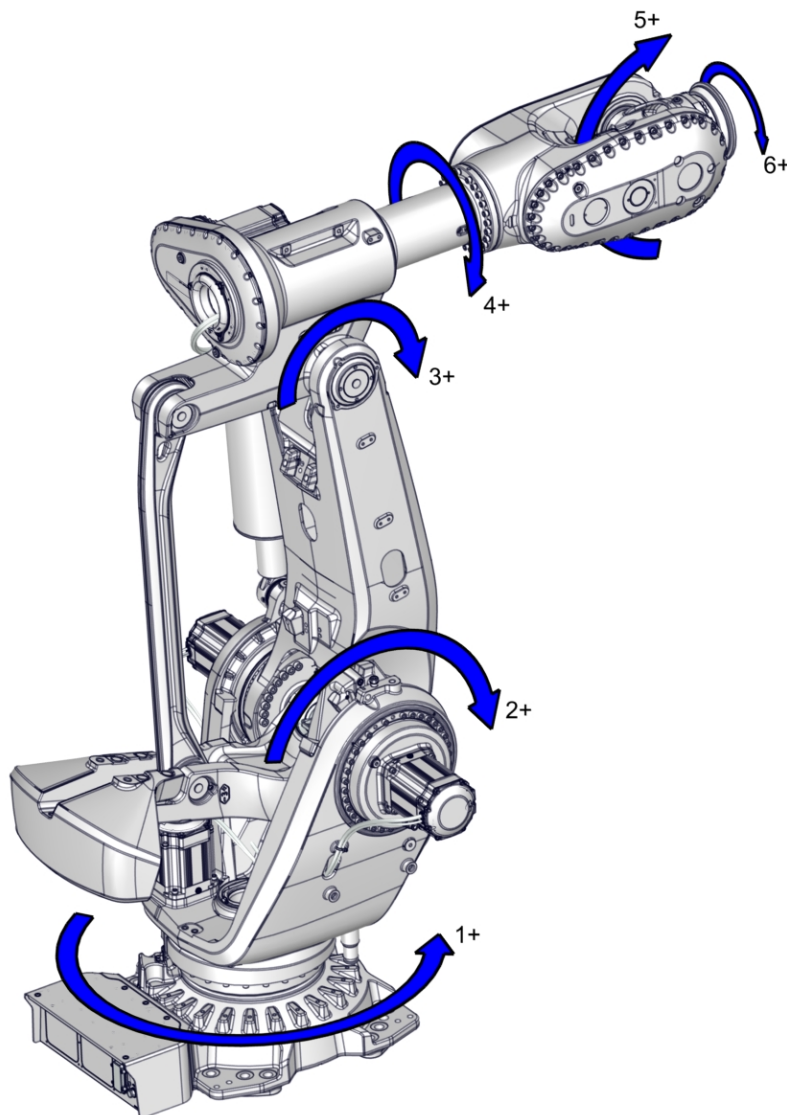
#### 2.6.3 Calibration movement directions for all axes

##### Overview

When calibrating, the axis must consistently be run towards the calibration position in the same direction in order to avoid position errors caused by backlash in gears and so on. Positive directions are shown in the graphic below.

Calibration service routines will handle the calibration movements automatically and these might be different from the positive directions shown below.

##### Manual movement directions



xx2300001518



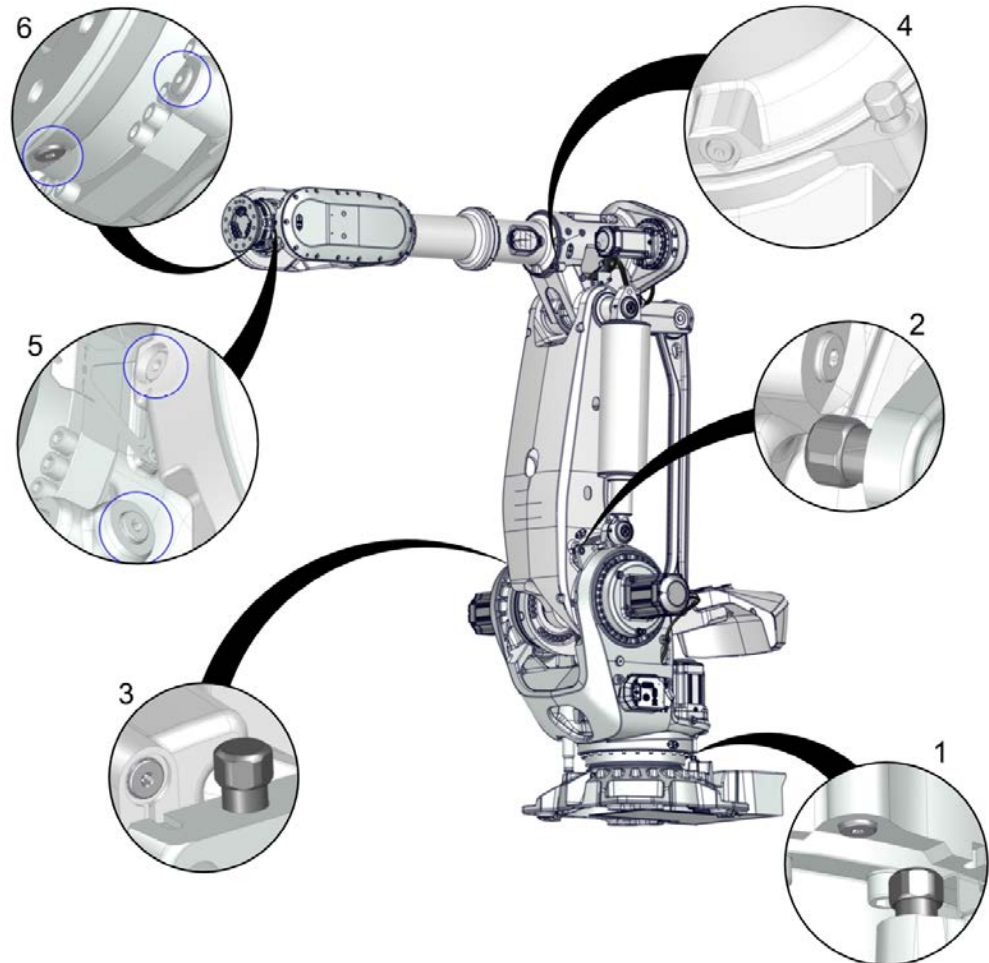
## 2.6.4 Fine calibration

### Recommended method

Fine calibration for the IRB 7720 is done with the Axis Calibration method.

### Installation locations for the calibration tools

The figure shows the locations for the fixed calibration pins and/or bushings on each axis. Installed calibration tools are not shown.



xx240000288

More information about the Axis Calibration method is found in the product manual for the manipulator.

## 2 Technical data for IRB 7720

### 2.6.5 Calibration tools for Axis Calibration

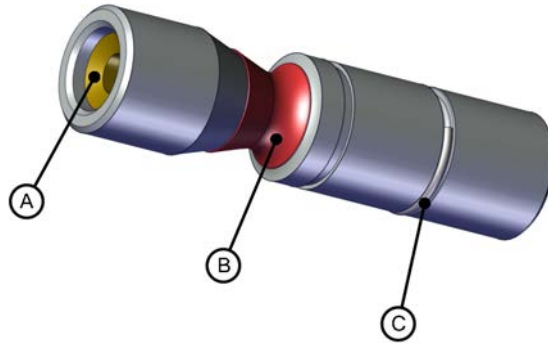
### 2.6.5 Calibration tools for Axis Calibration

#### Calibration tools



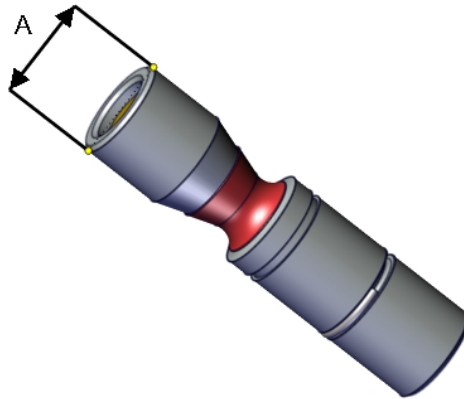
#### WARNING

If any part is missing or damaged, the tool must be replaced immediately.



xx1500001914

A	Tube insert
B	Plastic protection
C	Steel spring ring



xx1500000951

A	Outer diameter
---	----------------

If including the calibration tool in a local periodic check system, the following measures should be checked.

- Outer diameter within  $\varnothing 12g4$  mm,  $\varnothing 8g4$  mm or  $\varnothing 6g5$  mm (depending on calibration tool size).
- Straightness within 0.005 mm.

## 2.6.6 Absolute Accuracy calibration

### Purpose

*Absolute Accuracy* is a calibration concept that improves TCP accuracy. The difference between an ideal robot and a real robot can be several millimeters, resulting from mechanical tolerances and deflection in the robot structure. *Absolute Accuracy* compensates for these differences.

Here are some examples of when this accuracy is important:

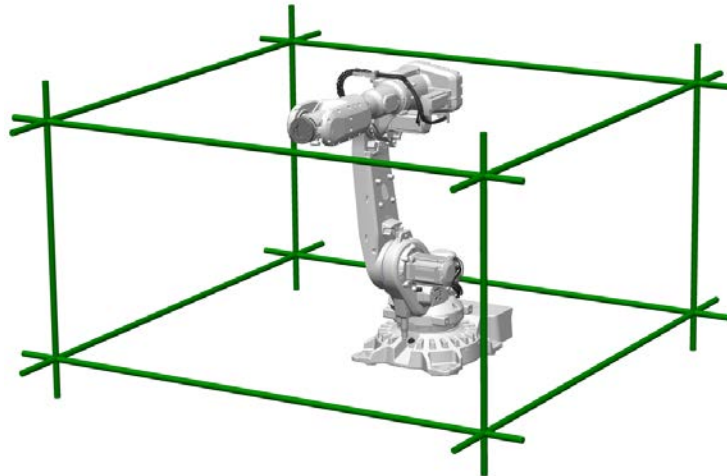
- Exchangeability of robots
- Offline programming with no or minimum touch-up
- Online programming with accurate movement and reorientation of tool
- Programming with accurate offset movement in relation to eg. vision system or offset programming
- Re-use of programs between applications

The option *Absolute Accuracy* is integrated in the controller algorithms and does not need external equipment or calculation.



#### Note

The performance data is applicable to the corresponding RobotWare version of the individual robot.



xx2100002472

### What is included

Every *Absolute Accuracy* robot is delivered with:

- compensation parameters saved on the robot's serial measurement board
- a birth certificate representing the *Absolute Accuracy* measurement protocol for the calibration and verification sequence.

A robot with *Absolute Accuracy* calibration has a label with this information on the manipulator.

*Continues on next page*

## 2 Technical data for IRB 7720

---

### 2.6.6 Absolute Accuracy calibration

*Continued*

Absolute Accuracy supports floor mounted installations. Compensation parameters saved in the robot's serial measurement board differ depending on which Absolute Accuracy option is selected.

---

#### RAPID instructions

There are no RAPID instructions included in this option.

## 2.7 Load diagrams

### 2.7.1 Introduction



#### WARNING

It is very important to always define correct actual load data and correct payload of the robot. Incorrect definitions of load data can result in overloading of the robot.

If incorrect load data and/or loads are outside load diagram is used the following parts can be damaged due to overload:

- motors
- gearboxes
- mechanical structure
- controller drive system



#### WARNING

In the robot system the service routine LoadIdentify is available, which allows the user to make an automatic definition of the tool and load, to determine correct load parameters.

See *Operating manual - OmniCore*, for detailed information.



#### WARNING

Robots running with incorrect load data and/or with loads outside diagram, will not be covered by robot warranty.

### Nominal payload inertia and extra load

The load diagram for each robot variant includes a nominal payload inertia ( $J_0$ ), as specified in the table.

Robot variant	Nominal payload inertia, $J_0$	Extra load
IRB 7720-620/2.9 IRB 7720-530/3.1 IRB 7720-510/3.3 IRB 7720-450/3.5	35 kgm <sup>2</sup>	50 kg
IRB 7720-560/2.9 LID IRB 7720-480/3.1 LID IRB 7720-400/3.3 LID IRB 7720-400/3.5 LID	35 kgm <sup>2</sup>	LeanID SW

At different moment of inertia the load diagram will be changed.

*Continues on next page*

## 2 Technical data for IRB 7720

---

### 2.7.1 Introduction

*Continued*

---

#### **Control of load case by "RobotLoad"**

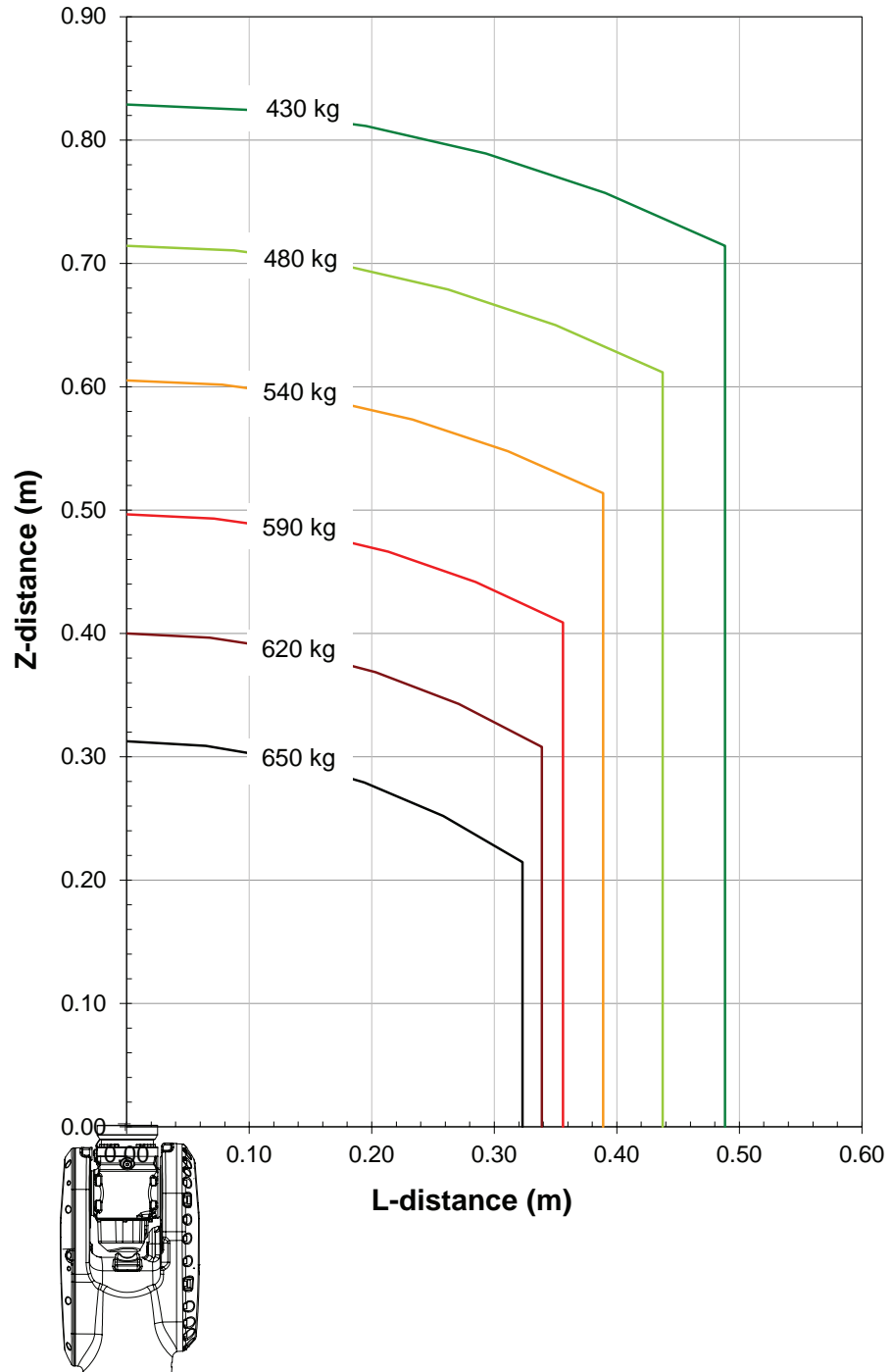
To verify a specific load case, use the RobotStudio add-in RobotLoad.

The result from RobotLoad is only valid within the maximum loads and tilt angles. There is no warning if the maximum permitted arm load is exceeded. For over-load cases and special applications, contact ABB for further analysis.

2.7.2 Diagrams

Diagrams of IRB 7720-620/2.9

Arm load for upper arm: 50 kg.



xx2300001569

Continues on next page

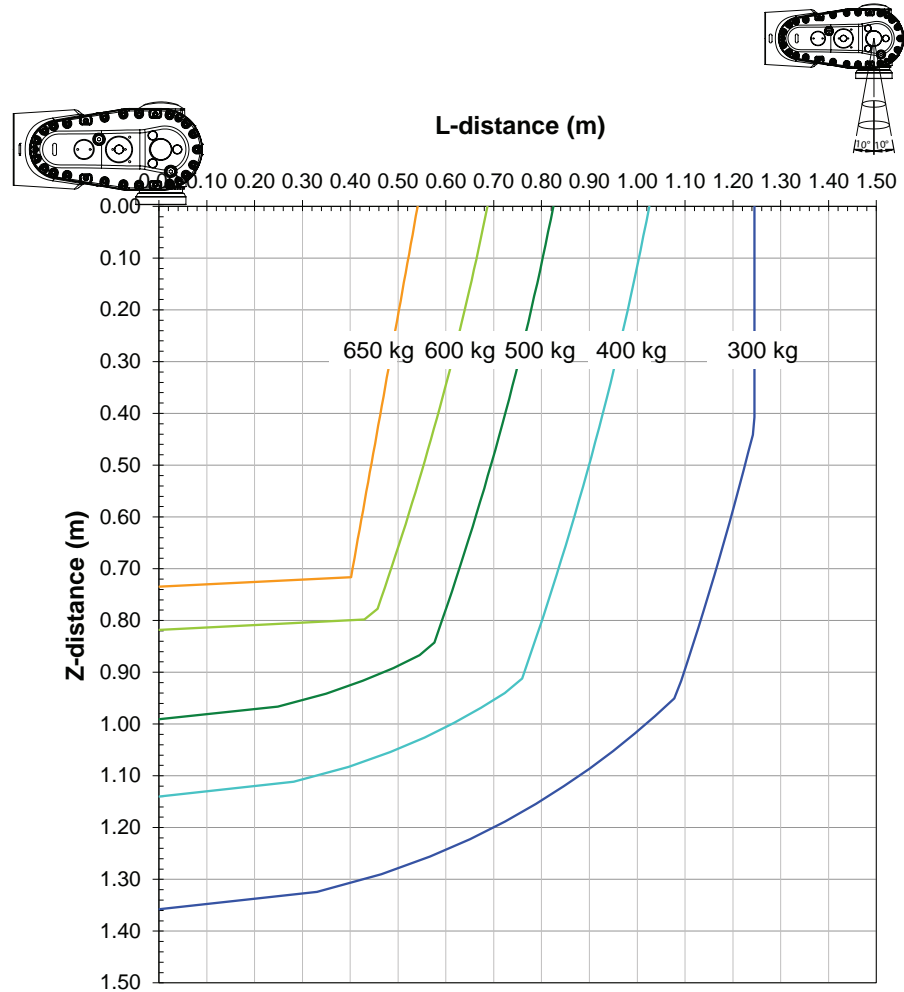
## 2 Technical data for IRB 7720

### 2.7.2 Diagrams

Continued

#### Diagrams of IRB 7720-620/2.9"Vertical Wrist" ( $\pm 10^\circ$ )

Arm load for upper arm: 50 kg.



xx2300001570

For wrist down ( $0^\circ$  deviation from the vertical line).

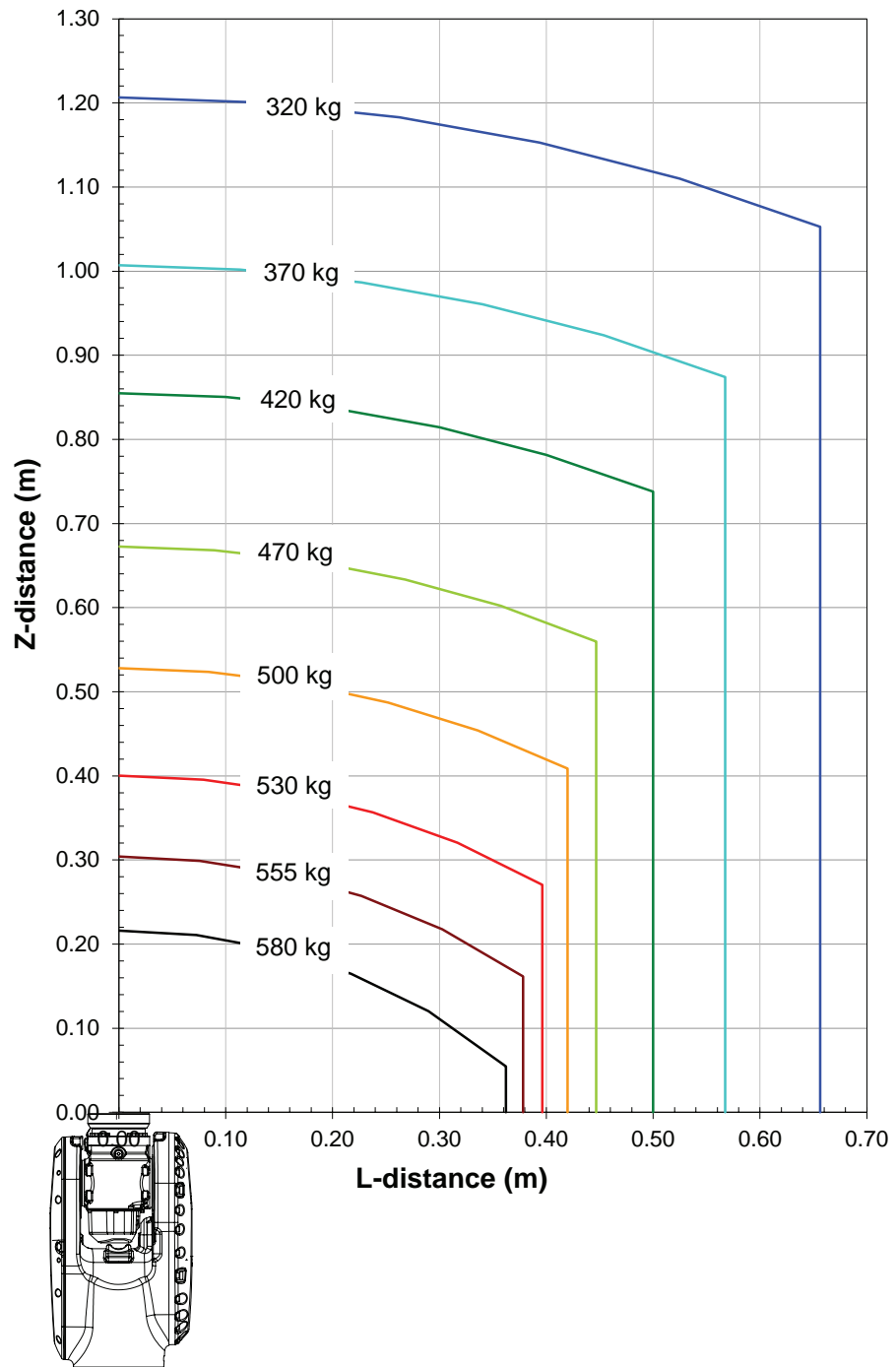
	Description
Max load	700 kg
Z <sub>max</sub>	0.663 m
L <sub>max</sub>	0.482 m

Continues on next page



Diagrams of IRB 7720-530/3.1

Arm load for upper arm: 50 kg.



xx2300001571

Continues on next page

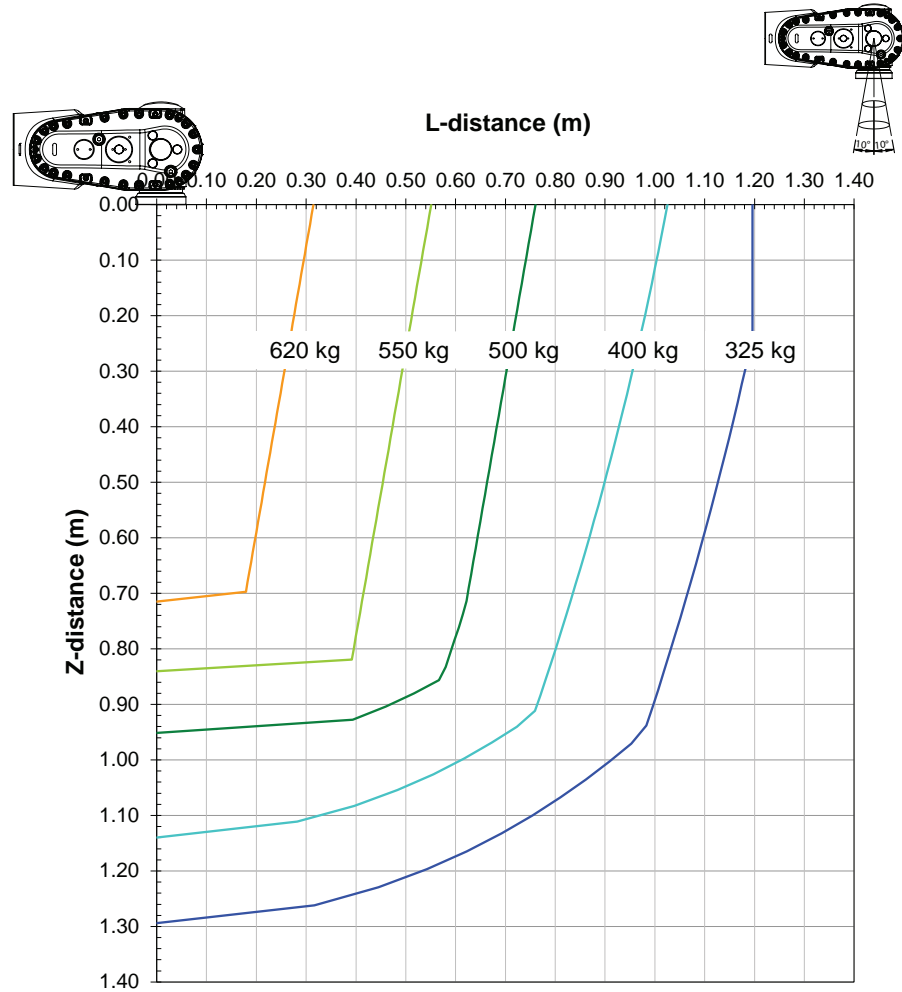
## 2 Technical data for IRB 7720

### 2.7.2 Diagrams

Continued

#### Diagrams of IRB 7720-530/3.1"Vertical Wrist" ( $\pm 10^\circ$ )

Arm load for upper arm: 50 kg.



xx2300001572

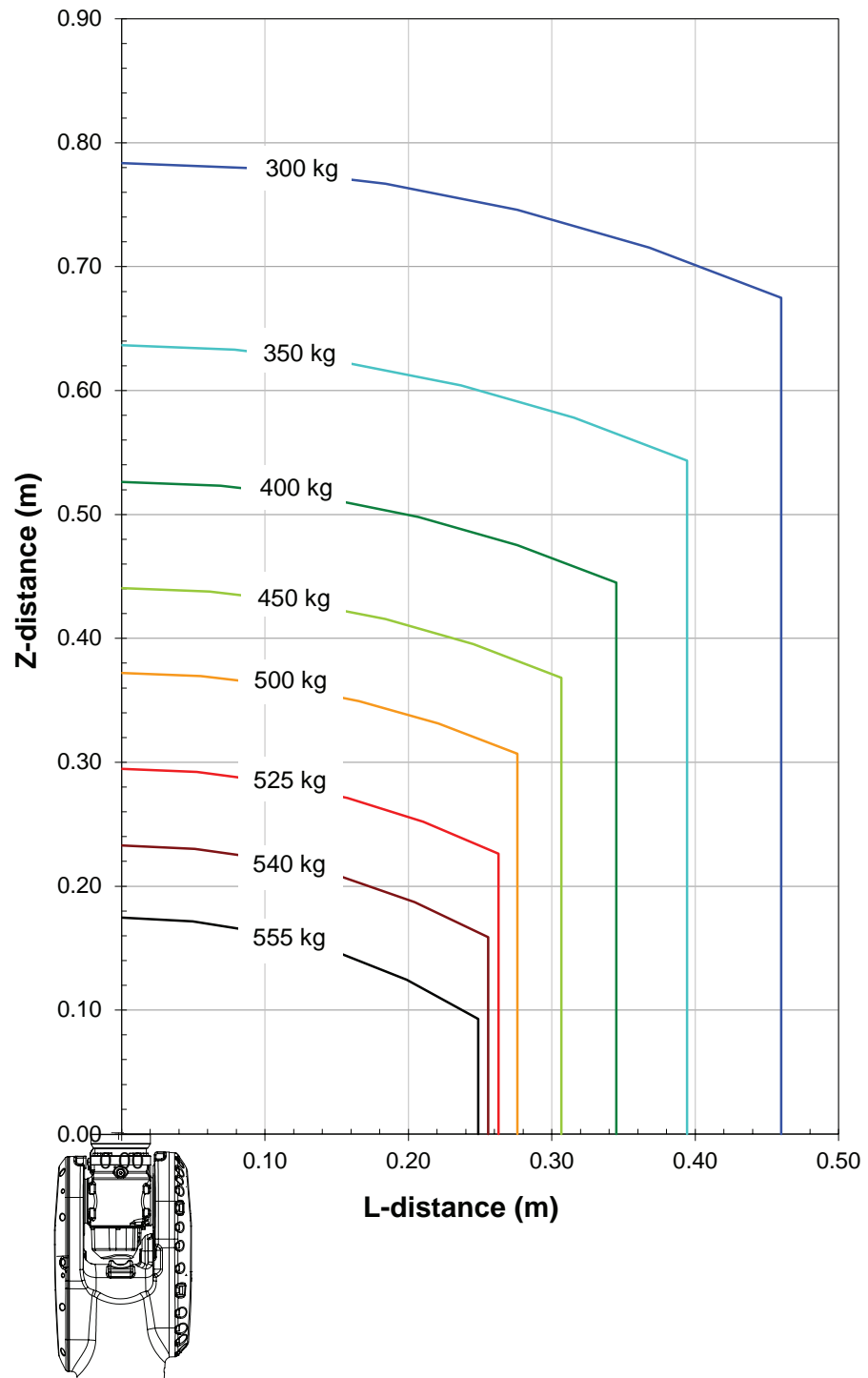
For wrist down ( $0^\circ$  deviation from the vertical line).

	Description
Max load	675 kg
Z <sub>max</sub>	0.635 m
L <sub>max</sub>	0.239 m

Continues on next page

Diagrams of IRB 7720-510/3.3

Arm load for upper arm: 50 kg.



xx2300001573

Continues on next page

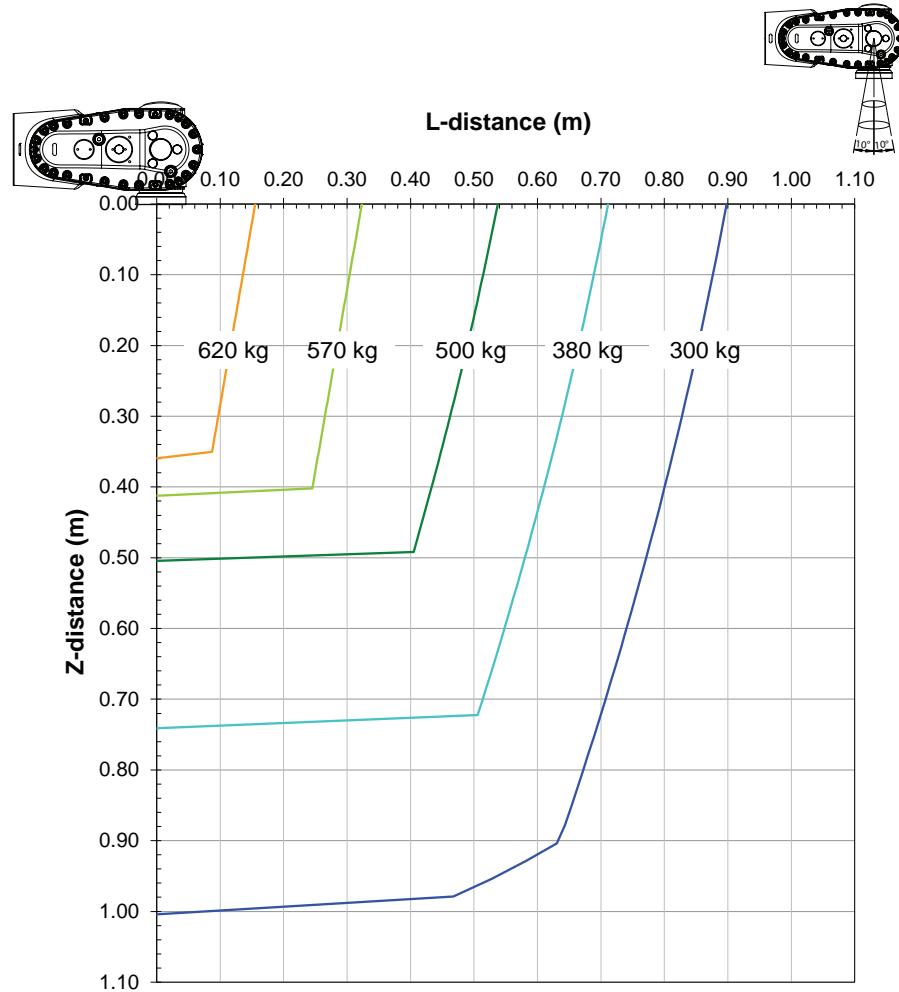
## 2 Technical data for IRB 7720

### 2.7.2 Diagrams

Continued

#### Diagrams of IRB 7720-510/3.3 ("Vertical Wrist" ( $\pm 10^\circ$ ))

Arm load for upper arm: 50 kg.



xx2300001574

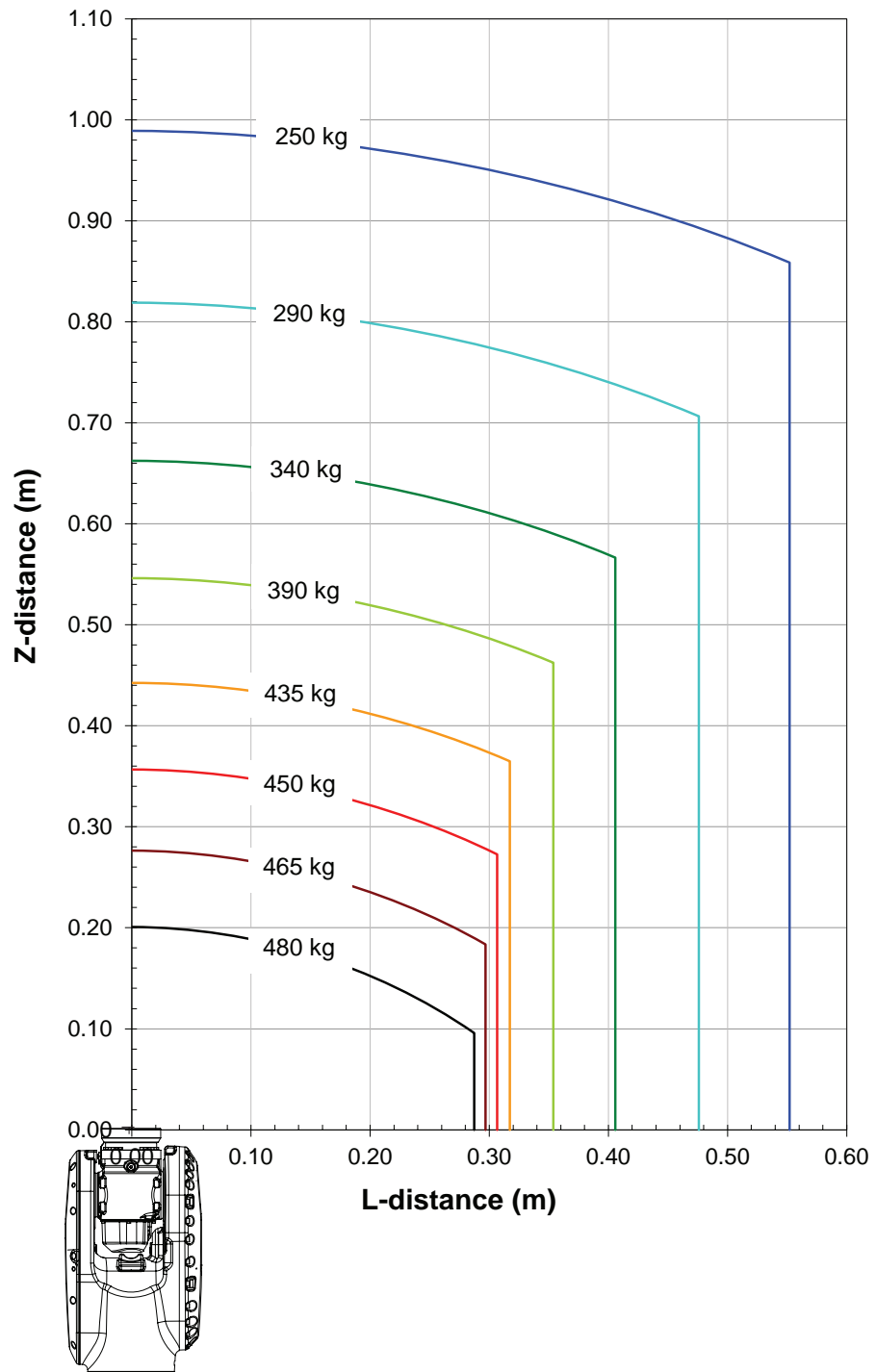
For wrist down ( $0^\circ$  deviation from the vertical line).

	Description
Max load	670 kg
Z <sub>max</sub>	0.314 m
L <sub>max</sub>	0.085 m

Continues on next page

Diagrams of IRB 7720-450/3.5

Arm load for upper arm: 50 kg.



xx2300001575

Continues on next page

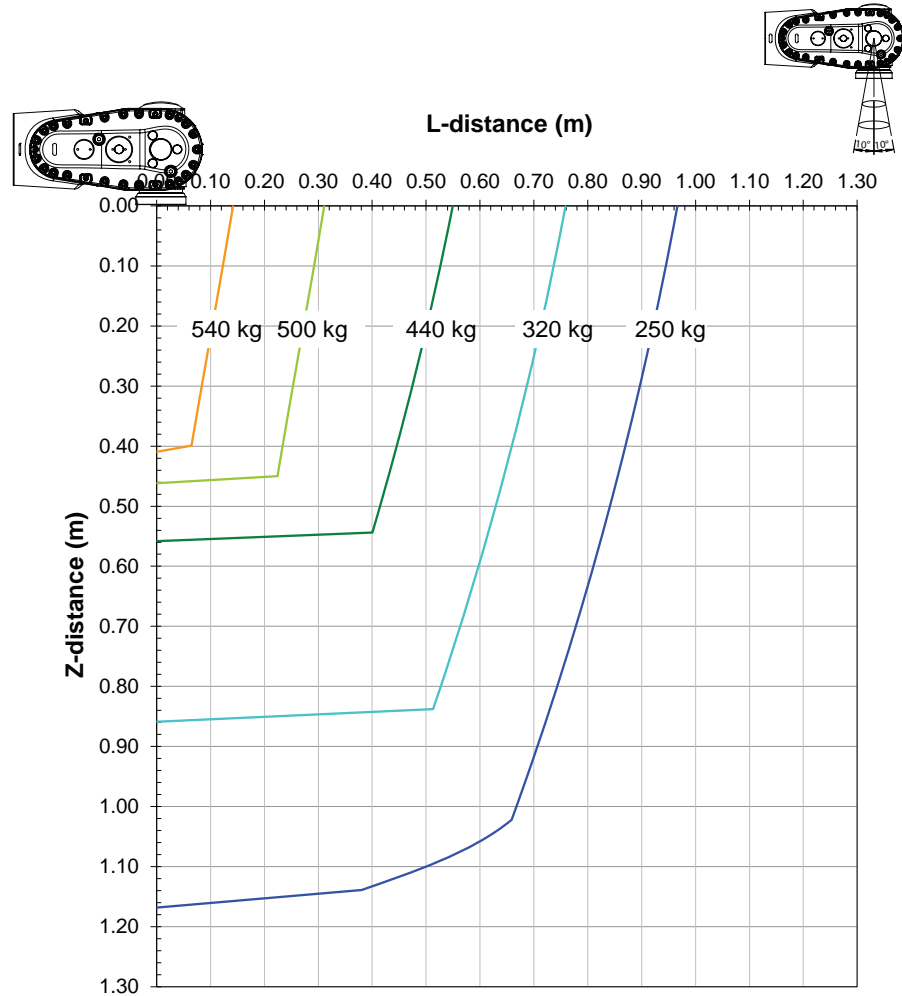
## 2 Technical data for IRB 7720

### 2.7.2 Diagrams

Continued

#### Diagrams of IRB 7720-450/3.5 ("Vertical Wrist" ( $\pm 10^\circ$ ))

Arm load for upper arm: 50 kg.



xx2300001576

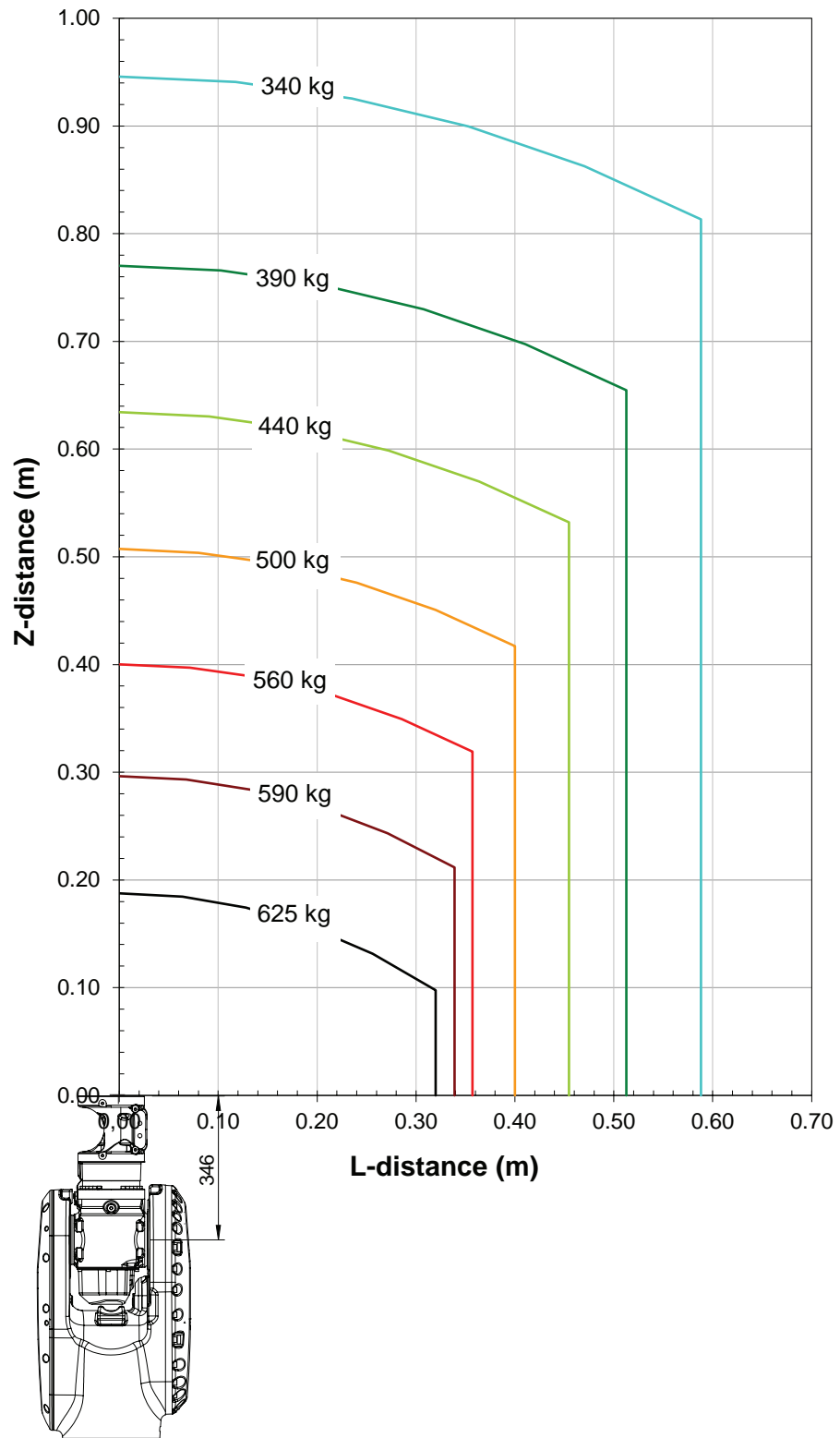
For wrist down ( $0^\circ$  deviation from the vertical line).

	Description
Max load	590 kg
Z <sub>max</sub>	0.354 m
L <sub>max</sub>	0.039 m

Continues on next page

Diagrams of IRB 7720-560/2.9 LID

With option [3326-x]. Arm load: LeanID SW.



xx2300001577

Continues on next page

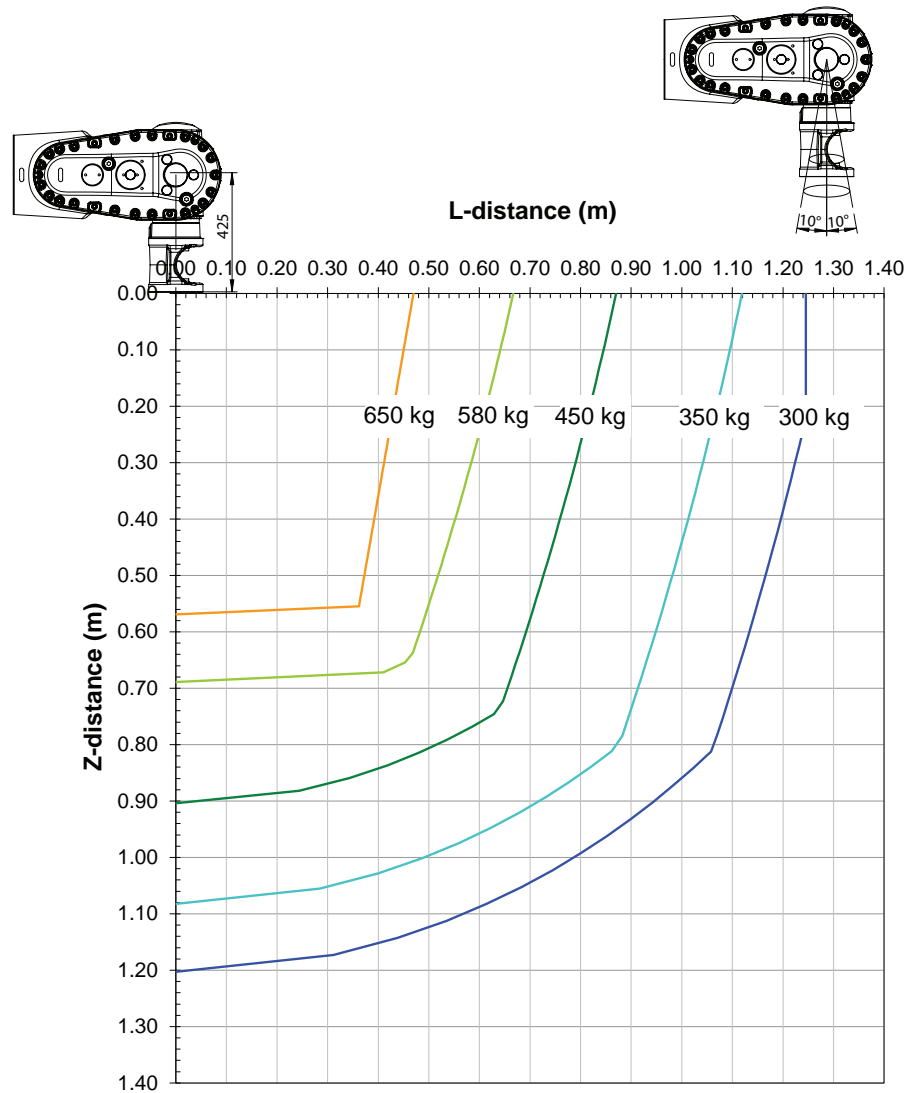
## 2 Technical data for IRB 7720

### 2.7.2 Diagrams

Continued

#### Diagrams of IRB 7720-560/2.9 LID ("Vertical Wrist" ( $\pm 10^\circ$ ))

With option [3326-x]. Arm load: LeanID SW.



xx2300001578

For wrist down ( $0^\circ$  deviation from the vertical line).

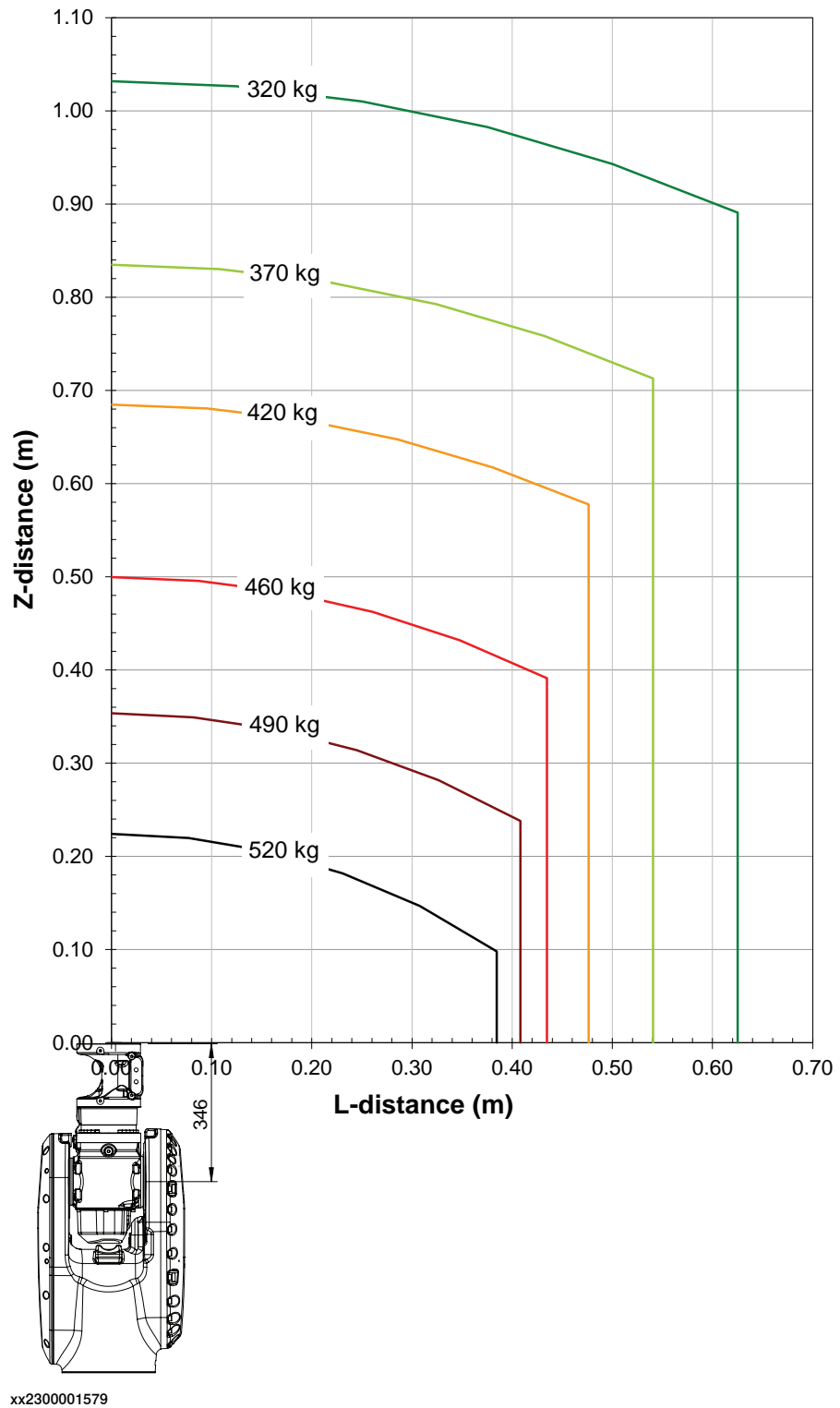
	Description
Max load	650 kg
Z <sub>max</sub>	0.569 m
L <sub>max</sub>	0.535 m

Continues on next page



Diagrams of IRB 7720-480/3.1 LID

With option [3326-x]. Arm load: LeanID SW.



Continues on next page

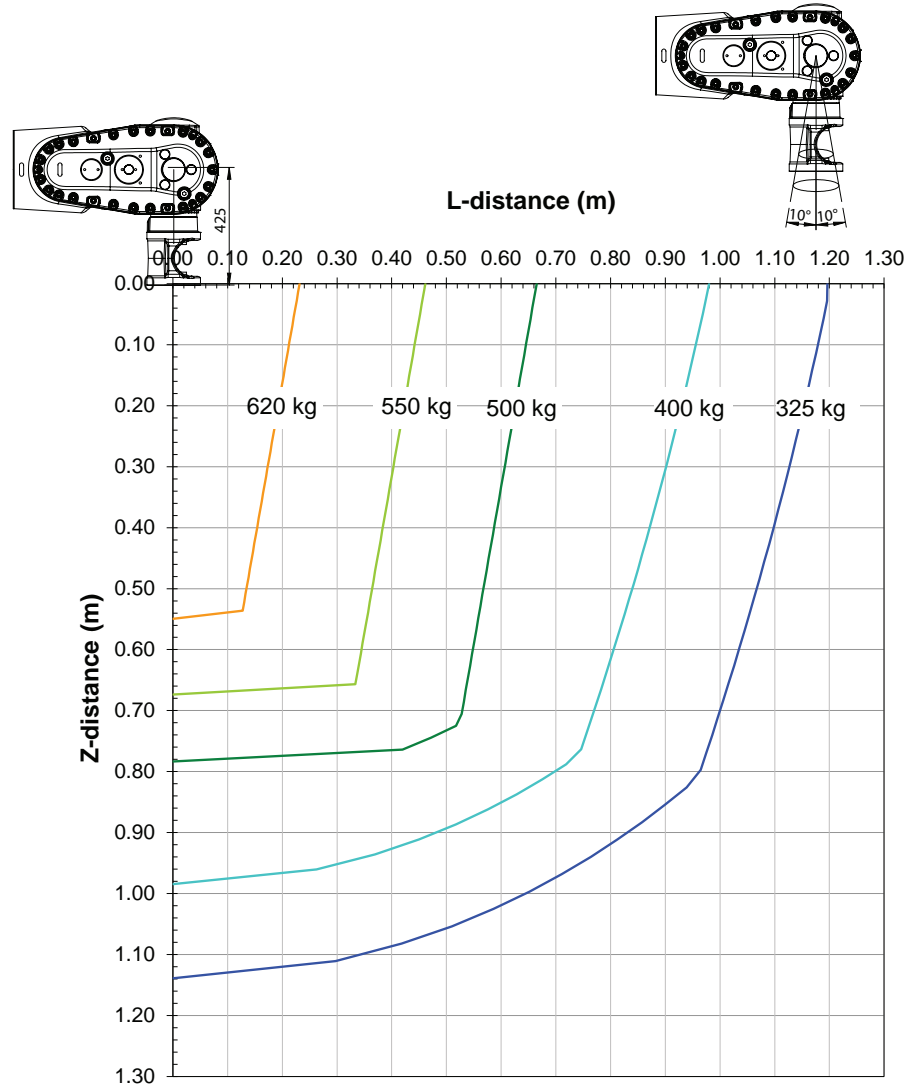
## 2 Technical data for IRB 7720

### 2.7.2 Diagrams

Continued

#### Diagrams of IRB 7720-480/3.1 LID ("Vertical Wrist" ( $\pm 10^\circ$ ))

With option [3326-x]. Arm load: LeanID SW.



xx2300001580

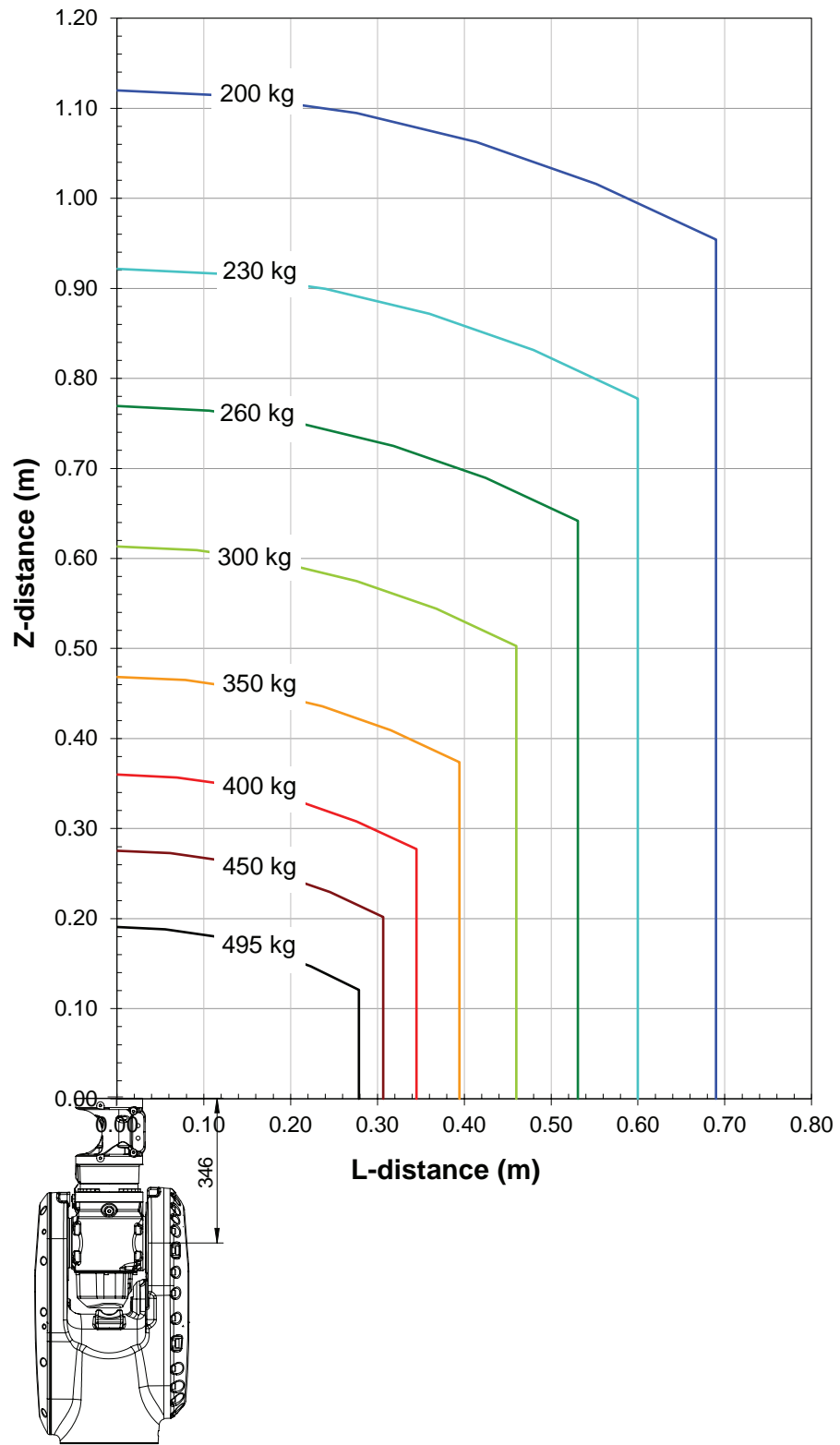
For wrist down ( $0^\circ$  deviation from the vertical line).

	Description
Max load	625 kg
Z <sub>max</sub>	0.542 m
L <sub>max</sub>	0.287 m

Continues on next page

Diagrams of IRB 7720-400/3.3 LID

With option [3326-x]. Arm load: LeanID SW.



xx2300001581

Continues on next page

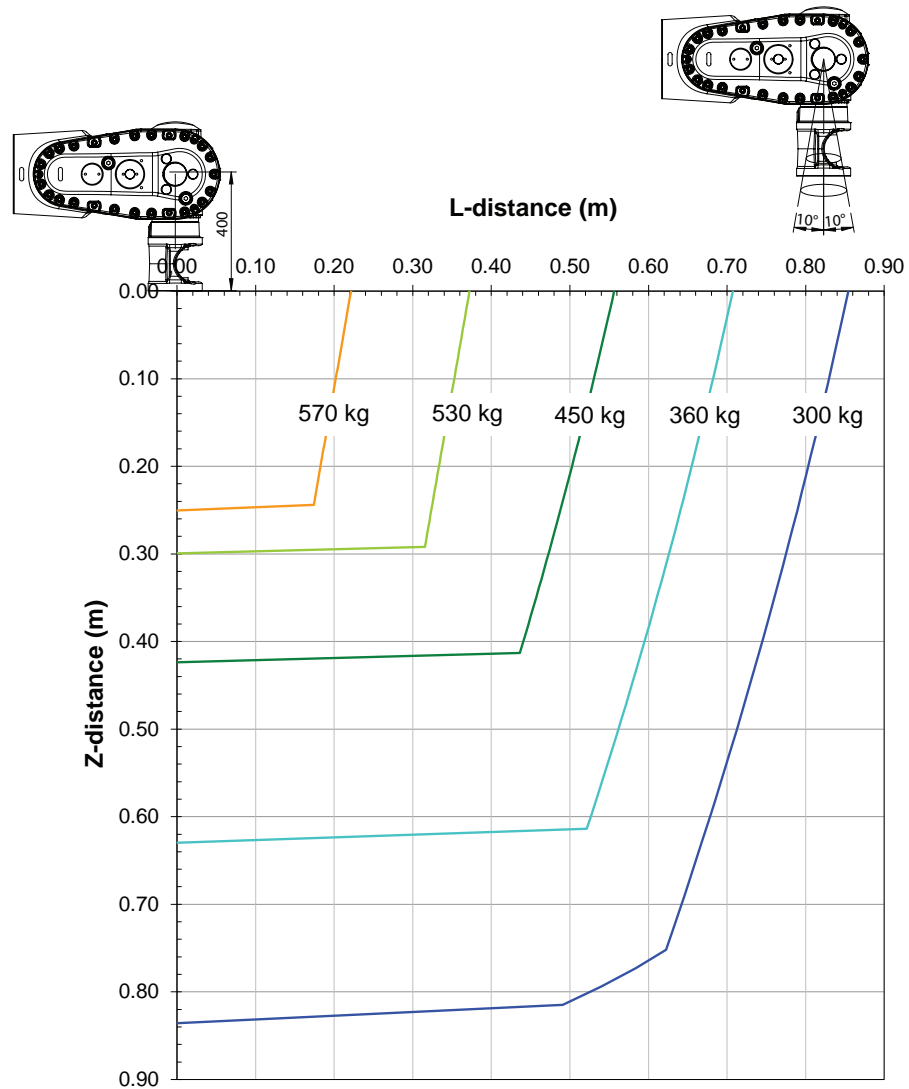
## 2 Technical data for IRB 7720

### 2.7.2 Diagrams

Continued

#### Diagrams of IRB 7720-400/3.3 LID ("Vertical Wrist" ( $\pm 10^\circ$ ))

With option [3326-x]. Arm load: LeanID SW.



xx2300001582

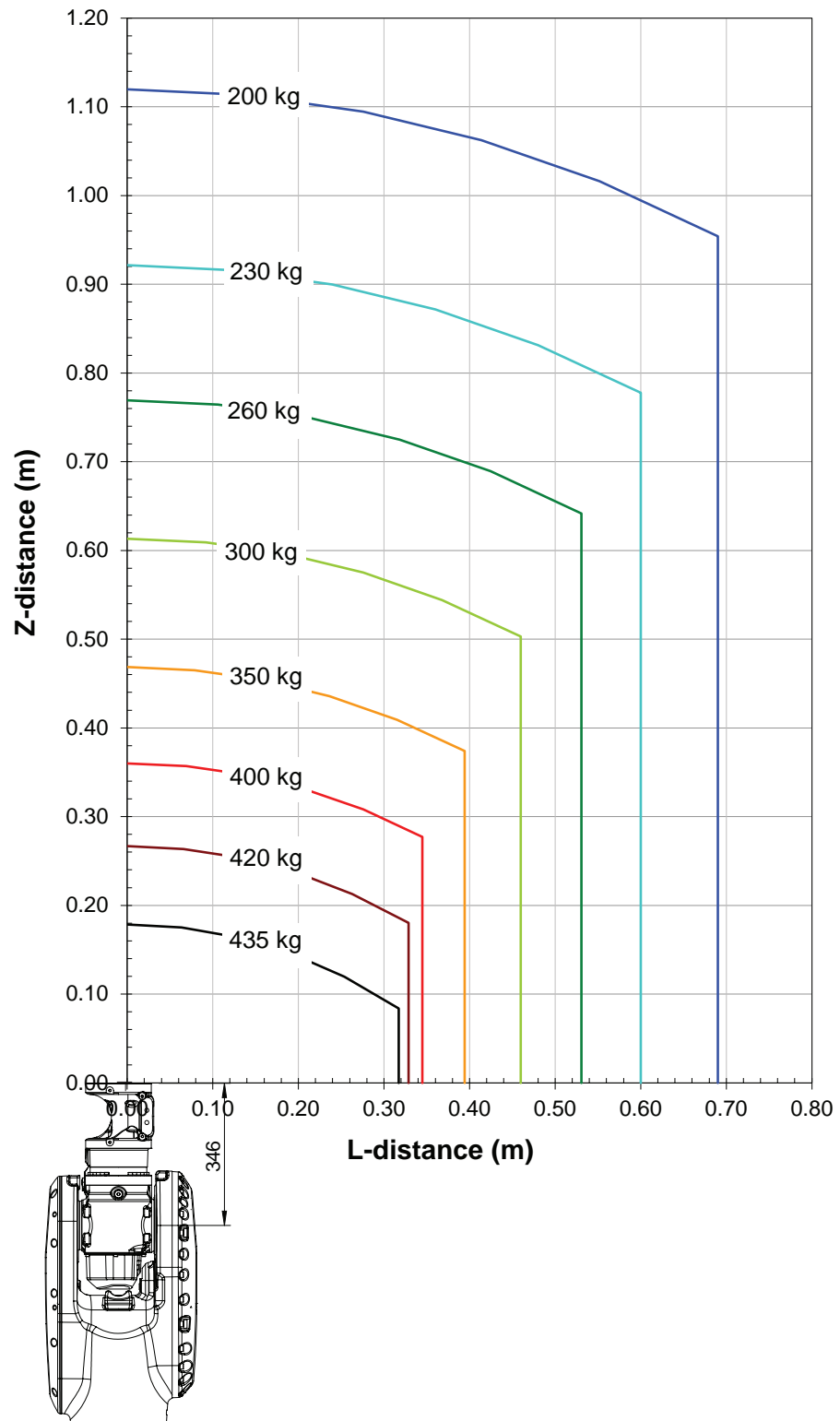
For wrist down ( $0^\circ$  deviation from the vertical line).

	Description
Max load	590 kg
Z <sub>max</sub>	0.228 m
L <sub>max</sub>	0.22 m

Continues on next page

Diagrams of IRB 7720-400/3.5 LID

With option [3326-x]. Arm load: LeanID SW.



xx2300001583

Continues on next page

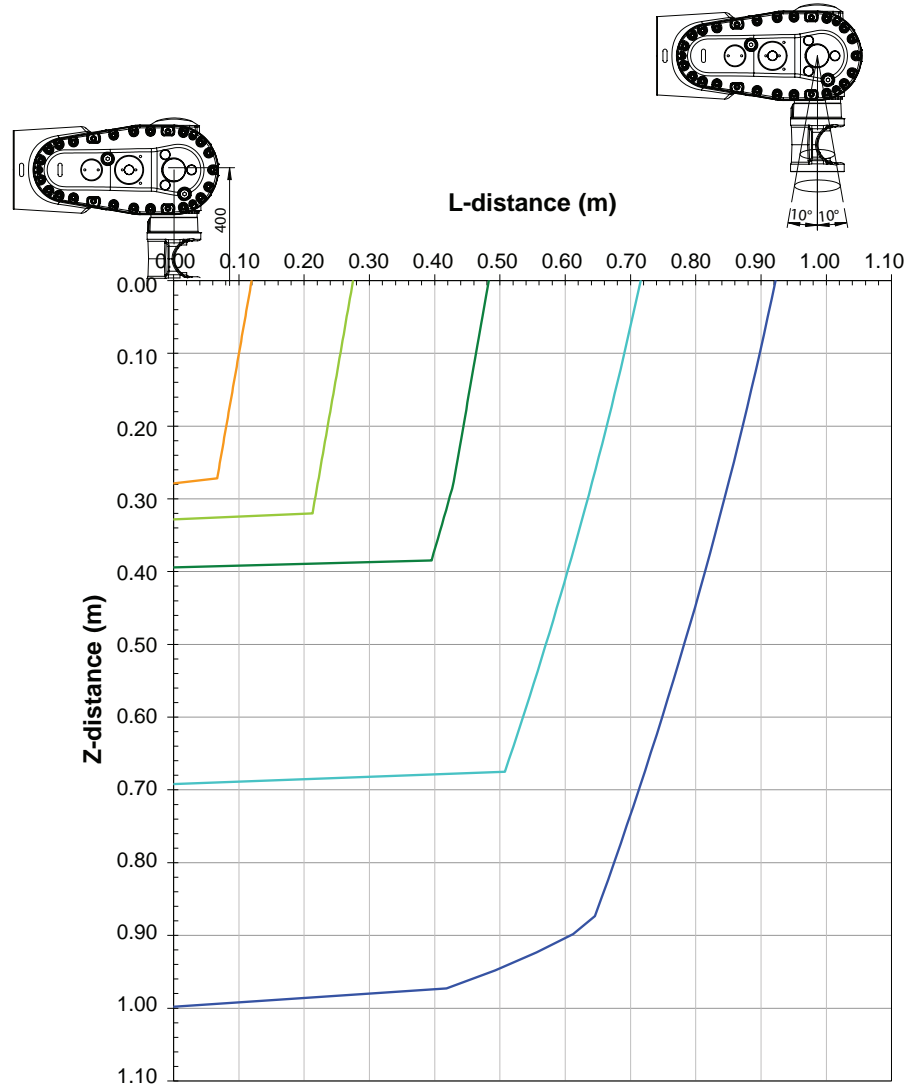
## 2 Technical data for IRB 7720

### 2.7.2 Diagrams

Continued

#### Diagrams of IRB 7720-400/3.5 LID ("Vertical Wrist" ( $\pm 10^\circ$ ))

With option [3326-x]. Arm load: LeanID SW.



xx2300001584

For wrist down ( $0^\circ$  deviation from the vertical line).

	Description
Max load	515 kg
Z <sub>max</sub>	0.279 m
L <sub>max</sub>	0.187 m

2.7.3 Maximum load and moment of inertia for full and limited axis 5 (center line down) movement

2.7.3 Maximum load and moment of inertia for full and limited axis 5 (center line down) movement

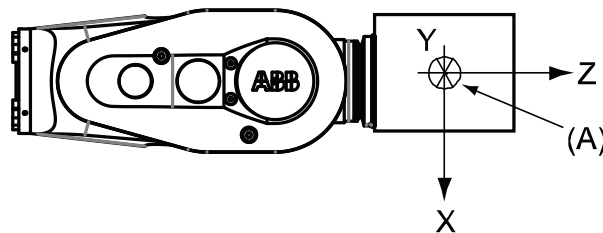


Note

Total load given as: mass in kg, center of gravity (Z and L) in meters and moment of inertia ( $J_{0x}$ ,  $J_{0y}$ ,  $J_{0z}$ ) in  $\text{kgm}^2$ .  $L = \text{sqr}(X^2 + Y^2)$ , see the following figure.

Full movement of axis 5 ( $\pm 130^\circ$ )

Robot variant	Maximum load and moment of inertia	
	Axis 5	Axis 6
IRB 7720-620/2.9	$J_{a5} = \text{Load} \times (Z + 0.27)^2 + \max(J_{0x}, J_{0y}) \leq 750 \text{ kgm}^2$	$J_{a6} = \text{Load} \times L^2 + J_{0z} \leq 450 \text{ kgm}^2$
IRB 7720-530/3.1	$J_{a5} = \text{Load} \times (Z + 0.27)^2 + \max(J_{0x}, J_{0y}) \leq 750 \text{ kgm}^2$	$J_{a6} = \text{Load} \times L^2 + J_{0z} \leq 450 \text{ kgm}^2$
IRB 7720-510/3.3	$J_{a5} = \text{Load} \times (Z + 0.245)^2 + \max(J_{0x}, J_{0y}) \leq 500 \text{ kgm}^2$	$J_{a6} = \text{Load} \times L^2 + J_{0z} \leq 315 \text{ kgm}^2$
IRB 7720-450/3.5	$J_{a5} = \text{Load} \times (Z + 0.245)^2 + \max(J_{0x}, J_{0y}) \leq 500 \text{ kgm}^2$	$J_{a6} = \text{Load} \times L^2 + J_{0z} \leq 315 \text{ kgm}^2$
IRB 7720-560/2.9 LID	$J_{a5} = \text{Load} \times (Z + 0.425)^2 + \max(J_{0x}, J_{0y}) \leq 750 \text{ kgm}^2$	$J_{a6} = \text{Load} \times L^2 + J_{0z} \leq 450 \text{ kgm}^2$
IRB 7720-480/3.1 LID	$J_{a5} = \text{Load} \times (Z + 0.425)^2 + \max(J_{0x}, J_{0y}) \leq 750 \text{ kgm}^2$	$J_{a6} = \text{Load} \times L^2 + J_{0z} \leq 450 \text{ kgm}^2$
IRB 7720-400/3.3 LID	$J_{a5} = \text{Load} \times (Z + 0.4)^2 + \max(J_{0x}, J_{0y}) \leq 500 \text{ kgm}^2$	$J_{a6} = \text{Load} \times L^2 + J_{0z} \leq 315 \text{ kgm}^2$
IRB 7720-400/3.5 LID	$J_{a5} = \text{Load} \times (Z + 0.4)^2 + \max(J_{0x}, J_{0y}) \leq 500 \text{ kgm}^2$	$J_{a6} = \text{Load} \times L^2 + J_{0z} \leq 315 \text{ kgm}^2$



xx1400002028

	Description
A	Center of gravity
	Description
$J_{0x}$ , $J_{0y}$ , $J_{0z}$	Max. moment of inertia around the X, Y and Z axes at center of gravity.

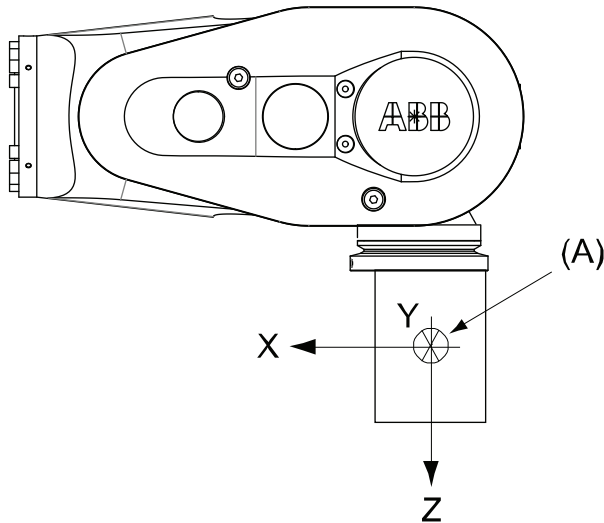
Continues on next page

## 2 Technical data for IRB 7720

### 2.7.3 Maximum load and moment of inertia for full and limited axis 5 (center line down) movement Continued

#### Limited axis 5, center line down

Robot variant	Maximum load and moment of inertia	
	Axis 5	Axis 6
IRB 7720-620/2.9	$J_{a5} = \text{Load} \times (Z + 0.27)^2 + \max(J_{0x}, J_{0y}) \leq 830 \text{ kgm}^2$	$J_{a6} = \text{Load} \times L^2 + J_{0z} \leq 500 \text{ kgm}^2$
IRB 7720-530/3.1	$J_{a5} = \text{Load} \times (Z + 0.27)^2 + \max(J_{0x}, J_{0y}) \leq 830 \text{ kgm}^2$	$J_{a6} = \text{Load} \times L^2 + J_{0z} \leq 500 \text{ kgm}^2$
IRB 7720-510/3.3	$J_{a5} = \text{Load} \times (Z + 0.245)^2 + \max(J_{0x}, J_{0y}) \leq 550 \text{ kgm}^2$	$J_{a6} = \text{Load} \times L^2 + J_{0z} \leq 500 \text{ kgm}^2$
IRB 7720-450/3.5	$J_{a5} = \text{Load} \times (Z + 0.245)^2 + \max(J_{0x}, J_{0y}) \leq 550 \text{ kgm}^2$	$J_{a6} = \text{Load} \times L^2 + J_{0z} \leq 500 \text{ kgm}^2$
IRB 7720-560/2.9 LID	$J_{a5} = \text{Load} \times (Z + 0.425)^2 + \max(J_{0x}, J_{0y}) \leq 830 \text{ kgm}^2$	$J_{a6} = \text{Load} \times L^2 + J_{0z} \leq 500 \text{ kgm}^2$
IRB 7720-480/3.1 LID	$J_{a5} = \text{Load} \times (Z + 0.425)^2 + \max(J_{0x}, J_{0y}) \leq 830 \text{ kgm}^2$	$J_{a6} = \text{Load} \times L^2 + J_{0z} \leq 500 \text{ kgm}^2$
IRB 7720-400/3.3 LID	$J_{a5} = \text{Load} \times (Z + 0.4)^2 + \max(J_{0x}, J_{0y}) \leq 550 \text{ kgm}^2$	$J_{a6} = \text{Load} \times L^2 + J_{0z} \leq 500 \text{ kgm}^2$
IRB 7720-400/3.5 LID	$J_{a5} = \text{Load} \times (Z + 0.4)^2 + \max(J_{0x}, J_{0y}) \leq 550 \text{ kgm}^2$	$J_{a6} = \text{Load} \times L^2 + J_{0z} \leq 500 \text{ kgm}^2$



xx1400002029

	Description
A	Center of gravity
	Description
$J_{0x}, J_{0y}, J_{0z}$	Max. moment of inertia around the X, Y and Z axes at center of gravity.



## 2.7.4 Wrist torque



### Note

The wrist torque values are for reference only, and should not be used for calculating permitted load offset (position of center of gravity) within the load diagram, since those also are limited by main axes torques as well as dynamic loads. Furthermore, arm loads will influence the permitted load diagram. To find the absolute limits of the load diagram, use the RobotStudio add-in RobotLoad.

### Permissible torque

The table below shows the maximum permissible torque due to payload.

Robot variant	Maximum wrist torque axis 4 and 5	Maximum wrist torque axis 6	Load at which the maximum torques are valid
IRB 7720-620/2.9	4,635 Nm	2,060 Nm	573 kg
IRB 7720-530/3.1	4,635 Nm	2,060 Nm	449 kg
IRB 7720-510/3.3	3,027 Nm	1,354 Nm	510 kg
IRB 7720-450/3.5	3,027 Nm	1,354 Nm	430 kg
IRB 7720-560/2.9 LID	4,586 Nm	1,962 Nm	560 kg
IRB 7720-480/3.1 LID	4,586 Nm	1,962 Nm	436 kg
IRB 7720-400/3.3 LID	2,994 Nm	1,354 Nm	492 kg
IRB 7720-400/3.5 LID	2,994 Nm	1,354 Nm	411 kg

## 2 Technical data for IRB 7720

### 2.7.5 Maximum TCP acceleration

### 2.7.5 Maximum TCP acceleration

#### General

Higher values can be reached with lower loads than the nominal because of our dynamical motion control QuickMove2. For specific values in the unique customer cycle, or for robots not listed in the table below, we recommend to use RobotStudio.

#### Maximum Cartesian design acceleration for nominal loads

Robot variant	E-stop Max acceleration at nominal load COG [m/s <sup>2</sup> ]	Controlled Motion Max acceleration at nominal load COG [m/s <sup>2</sup> ]
IRB 7720-620/2.9	34	15
IRB 7720-530/3.1	37	17
IRB 7720-510/3.3	36	16
IRB 7720-450/3.5	37	16
IRB 7720-560/2.9 LID	35	16
IRB 7720-480/3.1 LID	39	17
IRB 7720-400/3.3 LID	37	18
IRB 7720-400/3.5 LID	39	17



#### Note

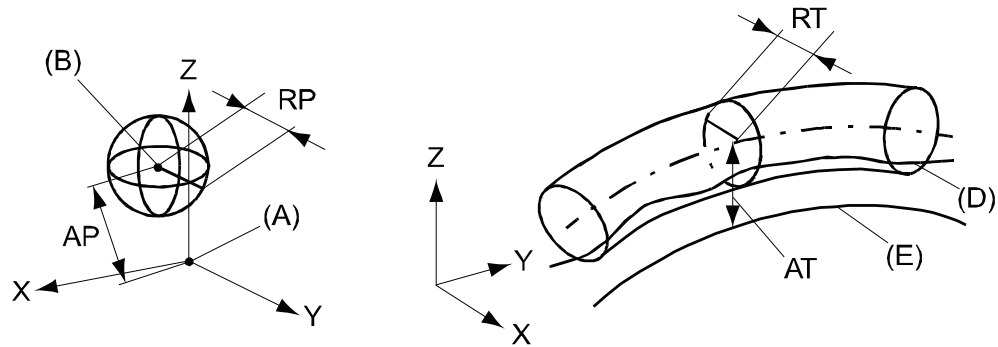
Acceleration levels for emergency stop and controlled motion includes acceleration due to gravitational forces. Nominal load is defined with nominal mass and cog with max offset in Z and L (see the load diagram).

## 2.8 Performance according to ISO 9283

### General

At rated maximum load, maximum offset and 1.6 m/s velocity on the inclined ISO test plane, with all six axes in motion. Values in the table below are the result of measurements using the robots Accuracy mode. The result may differ depending on where in the working range the robot is positioning, velocity, arm configuration, from which direction the position is approached and the load direction of the arm system. Backlashes in gearboxes also affect the result.

The figures for AP, RP, AT and RT are measured according to figure below.



xx080000424

Pos	Description	Pos	Description
A	Programmed position	E	Programmed path
B	Mean position at program execution	D	Actual path at program execution
AP	Mean distance from programmed position	AT	Max deviation from E to average path
RP	Tolerance of position B at repeated positioning	RT	Tolerance of the path at repeated program execution

### Pose data and path accuracy

Data <sup>i</sup>	IRB 7720-620/2.9	IRB 7720-530/3.1	IRB 7720-510/3.3	IRB 7720-450/3.5
Pose accuracy, AP (mm) <sup>ii</sup>	0.05	0.03	0.04	0.04
Pose repeatability, RP (mm)	0.06	0.05	0.05	0.06
Pose stabilization time, PSt (s) within 0.5 mm of the position	0.1	0.1	0.1	0.1
Path accuracy, AT (mm)	0.7	1.1	0.9	0.6
Path repeatability, RT (mm)	0.07	0.07	0.29	0.21

<sup>i</sup> LID manipulator variants are considered to have the same data as specified variants with the same reach.

<sup>ii</sup> AP according to the ISO test above, is the difference between the taught position (position manually modified in the cell) and the average position obtained during program execution.

## 2 Technical data for IRB 7720

---

### 2.9 Velocity

### 2.9 Velocity

---

#### Maximum axis speed

Robot variant	Axis 1	Axis 2	Axis 3	Axis 4	Axis 5	Axis 6
IRB 7720-620/2.9 IRB 7720-530/3.1	75°/s	60°/s	55°/s	100°/s	100°/s	150°/s
IRB 7720-510/3.3 IRB 7720-450/3.5	75°/s	60°/s	55°/s	100°/s	100°/s	160°/s
IRB 7720-560/2.9 LID IRB 7720-480/3.1 LID	75°/s	60°/s	55°/s	100°/s	100°/s	150°/s
IRB 7720-400/3.3 LID IRB 7720-400/3.5 LID	75°/s	60°/s	55°/s	100°/s	100°/s	160°/s

There is a supervision function to prevent overheating in applications with intensive and frequent movements (high duty cycle).

## 2.10 Robot stopping distances and times

### 2.10.1 Robot stopping distances according to ISO 10218-1

#### About the data for robot stopping distances and times

All measurements and calculations of stopping distances and times are done according to ISO 10218-1, with single axis motion on axes 1, 2, and 3. If more than one axis is used for the movement, then the stopping distance and time can be longer. Normal delays of the hardware and software are taken into account. See more about the delays and their impact on the results, [Reading the data on page 95](#).

The stopping distances and times are presented using the tool data and extension zones presented for the respected robot variant. These variables are 100%, 66%, and 33% of the maximum values for the robot.

The stop categories 0 and 1 are according to IEC 60204-1.



#### Note

The category 0 stop is not necessarily the worst case (depending on load, speed, application, wear, etc.).



#### Note

The stop category 1 is a controlled stop and will therefore have less deviation from the programmed path compared with a stop category 0.

#### Loads

The tool data that is used is presented for the respective robot variant.

The used loads represent the rated load. No arm load is used. See the [Load diagrams on page 69](#).

*Continues on next page*

## 2 Technical data for IRB 7720

### 2.10.1 Robot stopping distances according to ISO 10218-1

Continued

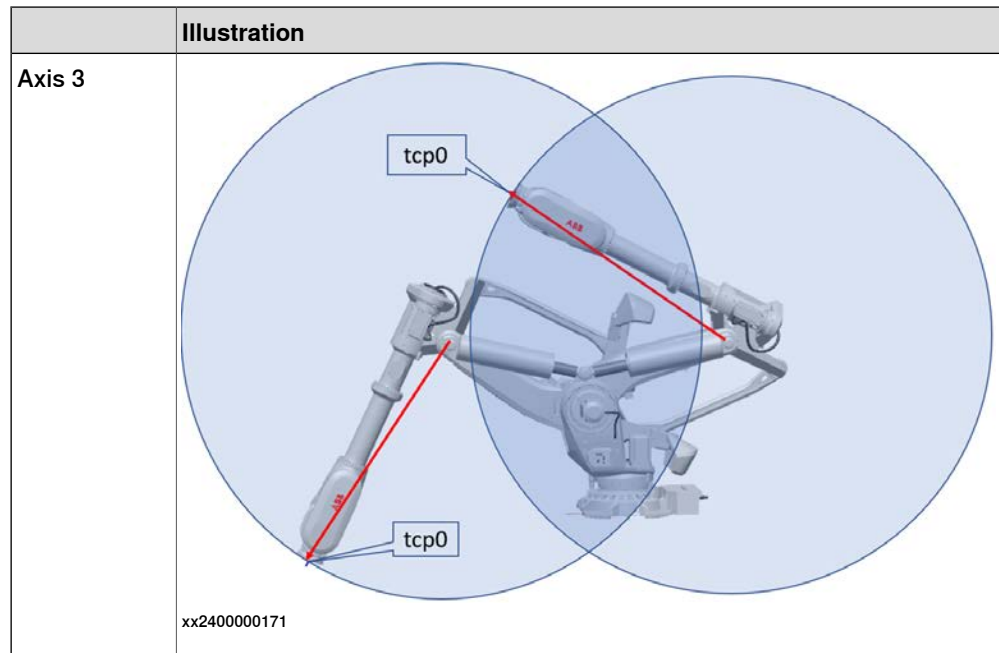
#### Extension zones

The extension zone for the stop category 1 is based on the tool mounting interface (tool flange) with the axis angles according to the following illustrations. The zone data is presented for the respective robot variant.

The extension zone outer limits are defined by the TCP0 position for the stated angles.

	Illustration				
Axis 1	Z2	Z1	Z0	Z1	Z2
	xx240000169				
Axis 2					
	xx240000170				

Continues on next page



**Speed**

The speed in the simulations is based on TCP0.

The TCP0 speed is measured in meters per second when the stop is triggered.

**Stopping distances**

The stopping distance is measured in degrees.

**Stopping times**

The stopping time is measured in seconds.

**Limitations**

The stopping distance can vary depending on additional loads on the robot.

The stopping distance for category 0 stops can vary depending on the individual brakes and the joint friction.

**Reading the data**

The data for stop category 0 is presented in tables, with distance and time for each axis.

The data for stop category 1 is presented as graphs with curves representing the different loads.

There is a short delay in the stop, which means that if the axis is accelerating when the stop is initiated (C), it will continue to accelerate during this delay time. This

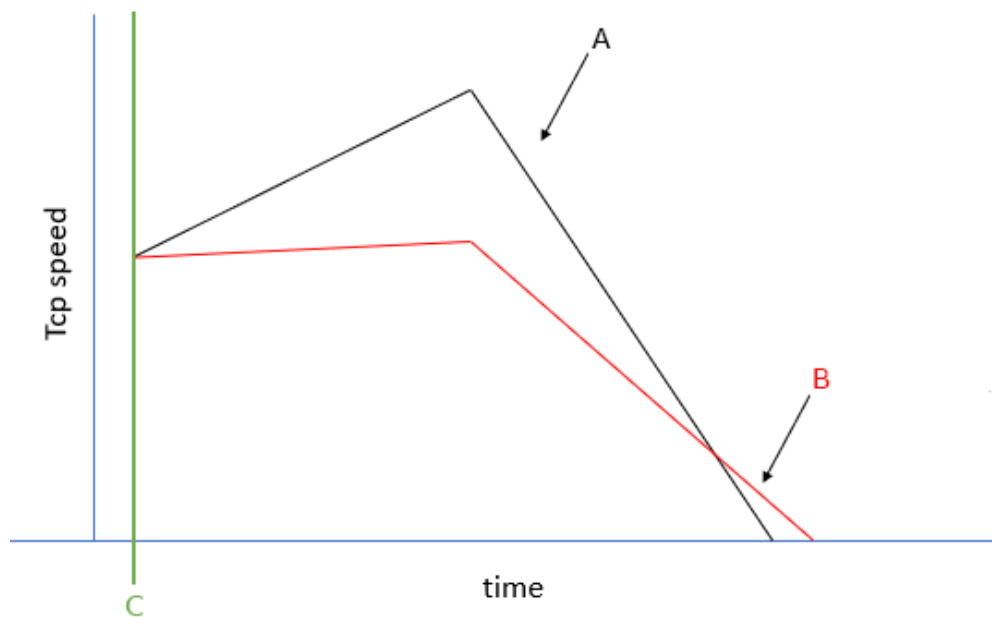
*Continues on next page*

## 2 Technical data for IRB 7720

### 2.10.1 Robot stopping distances according to ISO 10218-1

Continued

can result in graphs where a higher load (A) gives shorter stopping distance than a smaller load (B).



xx2300001041

The tcp speed is the actual speed when the stop is initiated, which is not necessarily the programmed speed.



## 2.10.2 Measuring stopping distance and time

### Preparations before measuring

For measurement and calculation of overall system stopping performance, see ISO 13855:2010.

The measurement shall be done for the selected stop category. The emergency stop button on the robot controller is configured for stop category 0 on delivery. A risk assessment can conclude the need for another stop category. The stop category can be changed through the system parameter *Function* (topic *Controller*, type *Safety Run Chain*). In case of deviations of the default configuration of stop category 0, then this is detailed in the product specification for the respective manipulator.



#### CAUTION

The measurement and calculation of overall stopping performance for a robot must be tested with its correct load, speed, and tools, in its actual environment, before the robot is taken into production.

All load and tool data must be correctly defined (weight, CoG, moment of inertia). The load identification service routine can be used to identify the data.



#### CAUTION

Follow the safety instructions in the respective product manual for the robot.

### Measuring with TuneMaster

The software TuneMaster can be used to measure stopping distances and times for ABB robots. The TuneMaster software contains documentation on how to use it.

- 1 Download TuneMaster from [www.abb.com/robotics](http://www.abb.com/robotics), section **RobotStudio - Downloads - RobotWare Tools and Utilities**.
- 2 Install TuneMaster on a computer. Start the TuneMaster app and select **Log Signals**.
- 3 Connect to the robot controller.
- 4 Define the I/O stop signal to use for measurement, for example, ES1 for emergency stop.
- 5 Define the signal number to use for measurement, 1298 for axis position. The value is given in radians.
- 6 Start the logging in TuneMaster.
- 7 Start the test program on the controller.



#### Tip

Use the tool and zone definitions for the respective variant in this document to get results that are comparable with this document.

*Continues on next page*

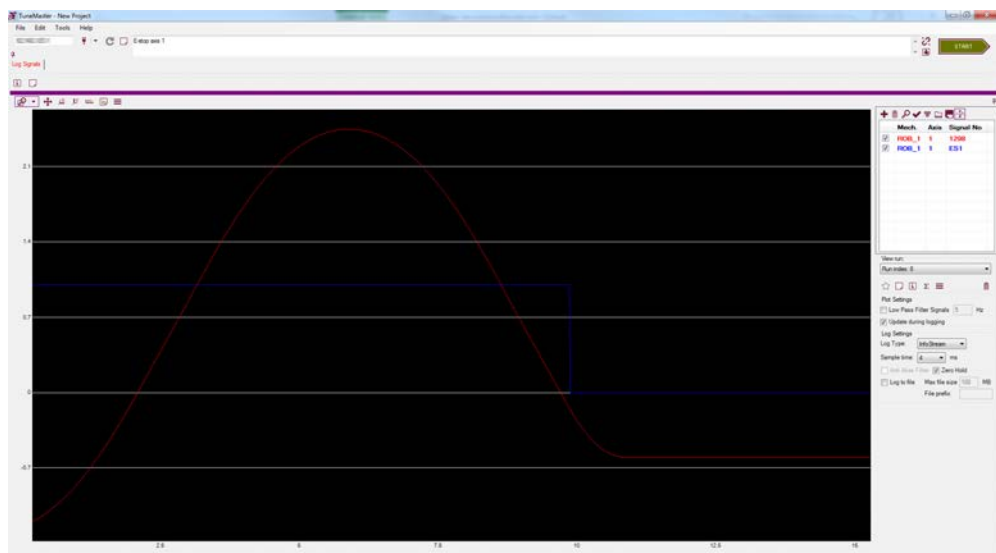
## 2 Technical data for IRB 7720

### 2.10.2 Measuring stopping distance and time

*Continued*

- 8 When the axis has reached maximum speed, press the emergency stop button.
- 9 In TuneMaster, measure the stopping distance and time.
- 10 Repeat for all installed emergency stop buttons until the identified hazards due to stopping distance and time for axes have been verified.

Example from TuneMaster



xx160000386

### 2.10.3 IRB 7720-620/2.90

#### Used tooldata

```
PERS tooldata P100:= [ TRUE, [[0, 0, 0], [1, 0, 0, 0]], [620, [0,
0, 400], [1, 0, 0, 0], 17, 17, 17]];
PERS tooldata P66:= [ TRUE, [[0, 0, 0], [1, 0, 0, 0]], [413, [0,
0, 267], [1, 0, 0, 0], 7.3, 7.3, 7.3]];
PERS tooldata P33:= [ TRUE, [[0, 0, 0], [1, 0, 0, 0]], [207, [0,
0, 133], [1, 0, 0, 0], 1.8, 1.8, 1.8]];

```

#### Category 0

The following table describes the stopping distance and time for category 0 stop.

Axis	Distance	Stop time
1	45.0°	1.0 s
2	11.3°	0.26 s
3	12.2°	0.32 s

#### Category 1, extension zones

For definitions of the zones, see [Extension zones on page 94](#).

The zone border is the mounting interface location for axis 2 and axis 3.

##### Axis 1

Zone border	Axis 2	Axis 3
z0-z1	-45°	0°
z1-z2	6°	0°

##### Axis 2

Only one zone exists.

##### Axis 3

Only one zone exists.

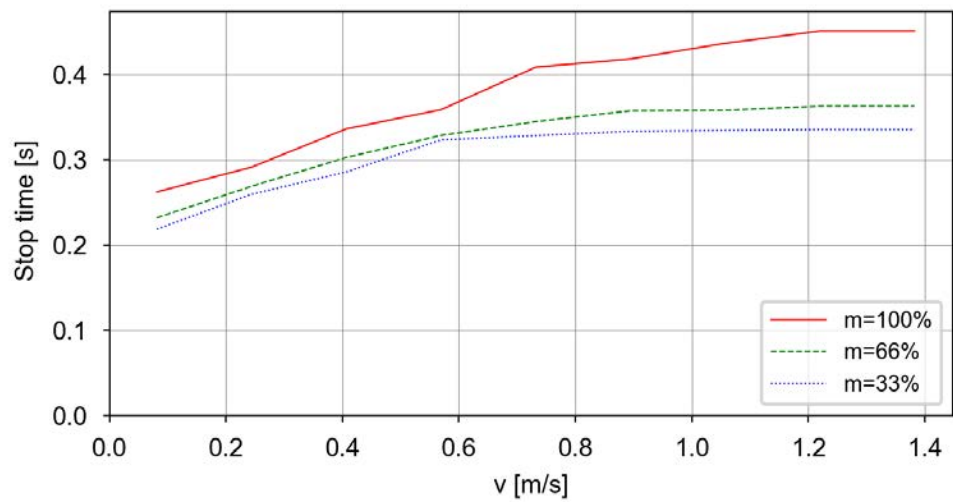
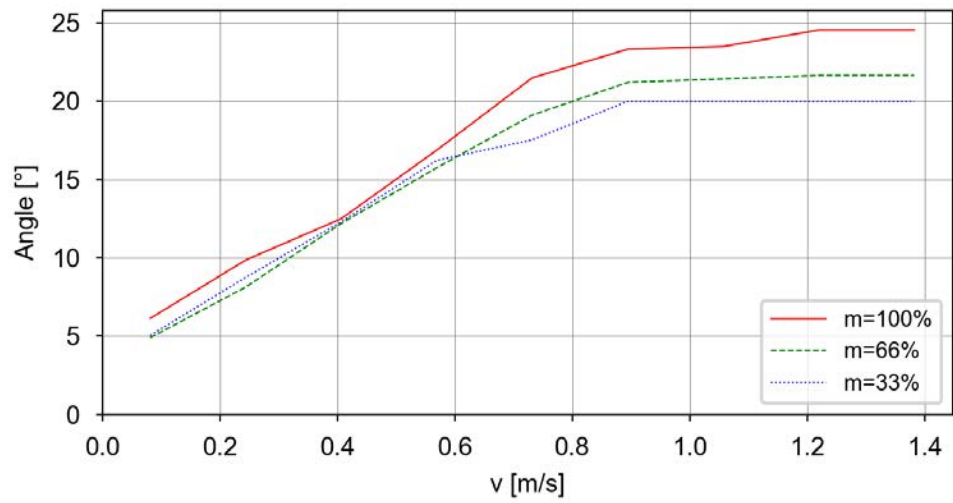
*Continues on next page*

## 2 Technical data for IRB 7720

### 2.10.3 IRB 7720-620/2.90

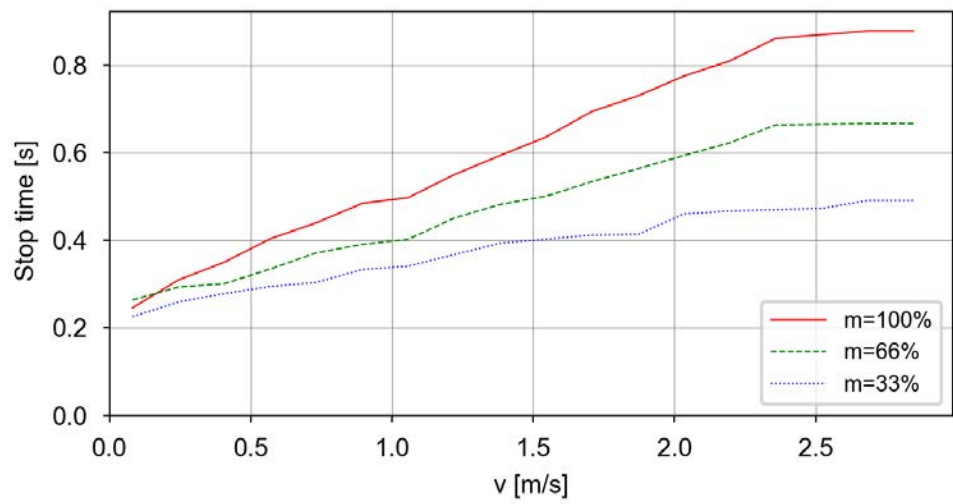
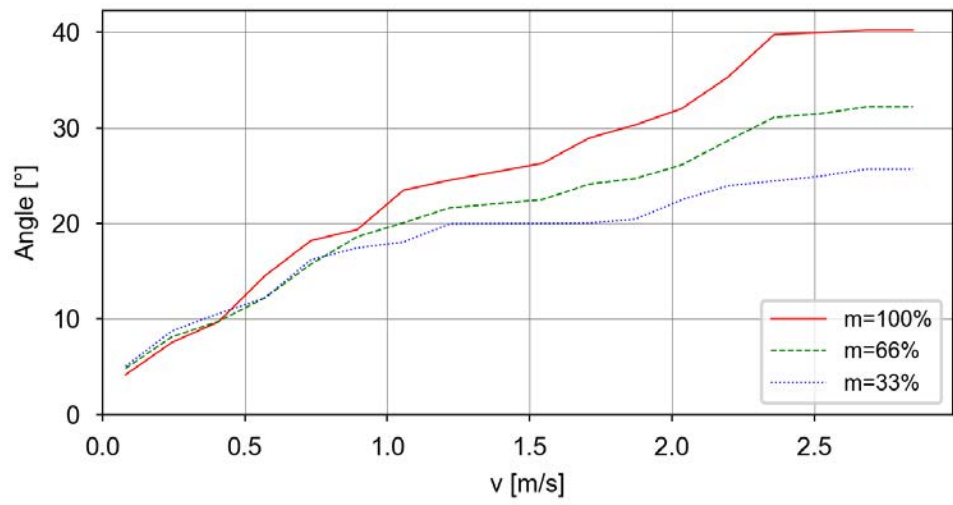
Continued

#### Category 1, Axis 1, Extension zone 0, stopping distance and stopping time



Continues on next page

Category 1, Axis 1, Extension zone 1, stopping distance and stopping time



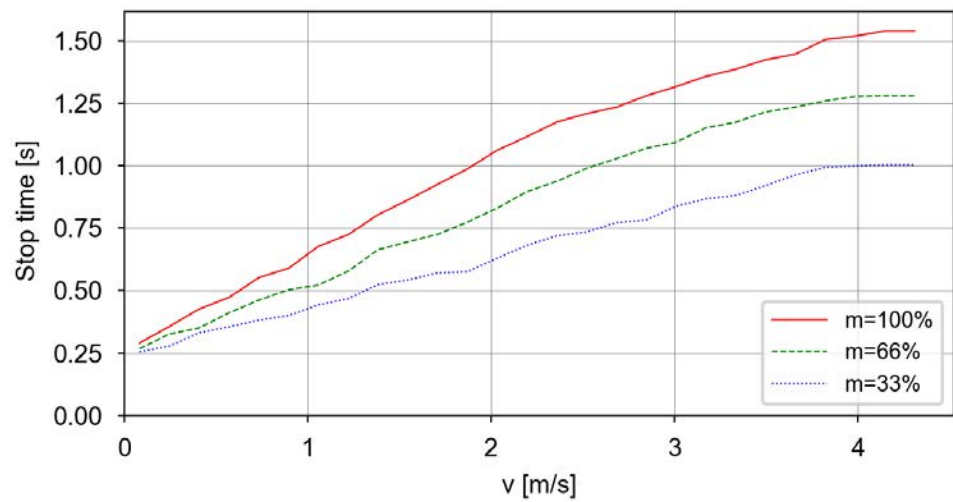
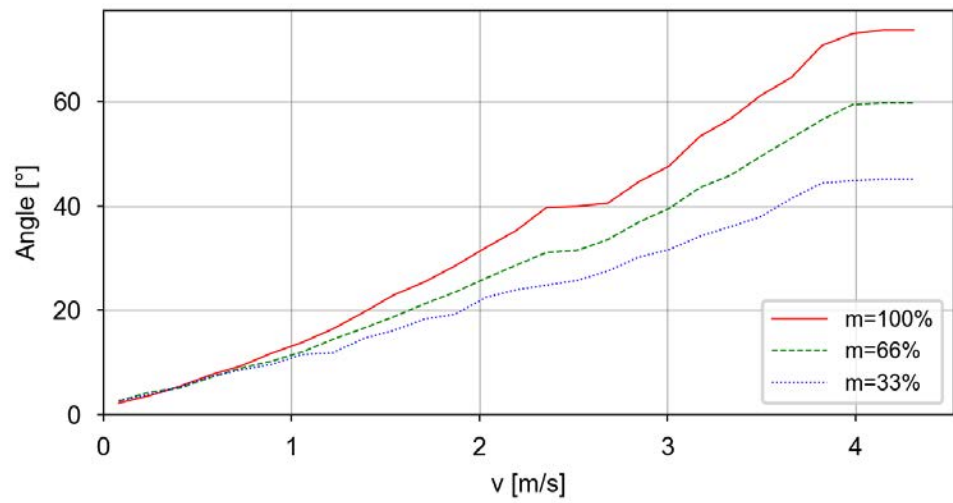
Continues on next page

## 2 Technical data for IRB 7720

### 2.10.3 IRB 7720-620/2.90

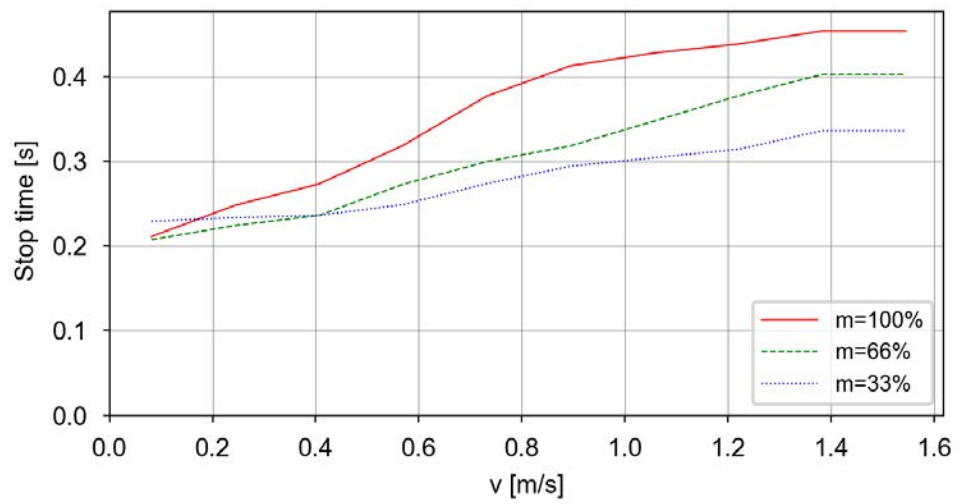
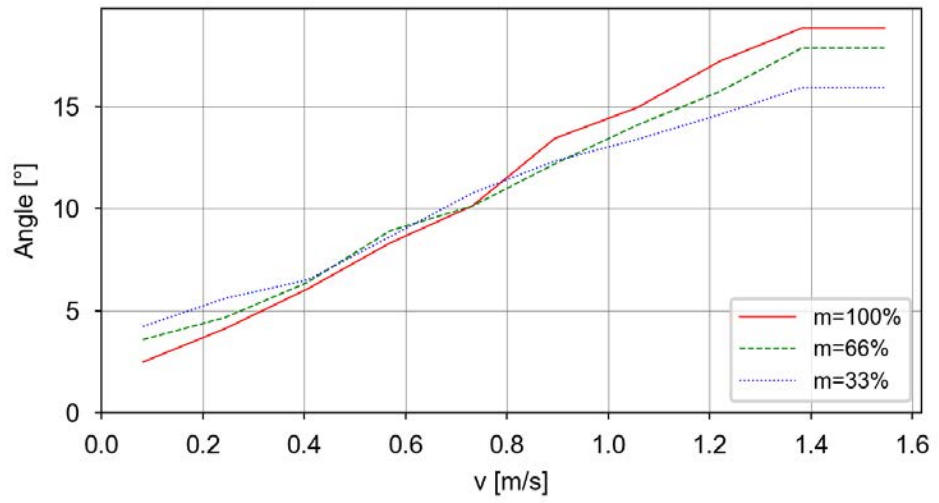
Continued

#### Category 1, Axis 1, Extension zone 2, stopping distance and stopping time



Continues on next page

Category 1, Axis 2, Extension zone 0, stopping distance and stopping time



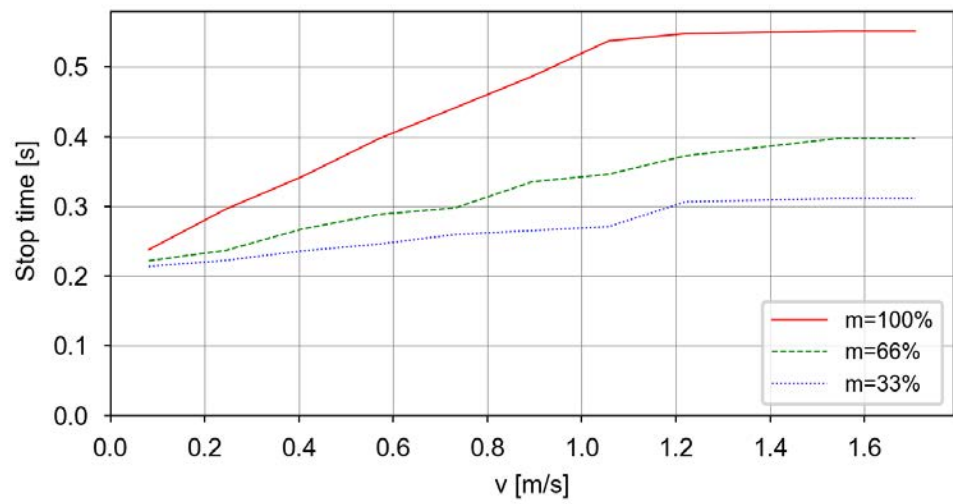
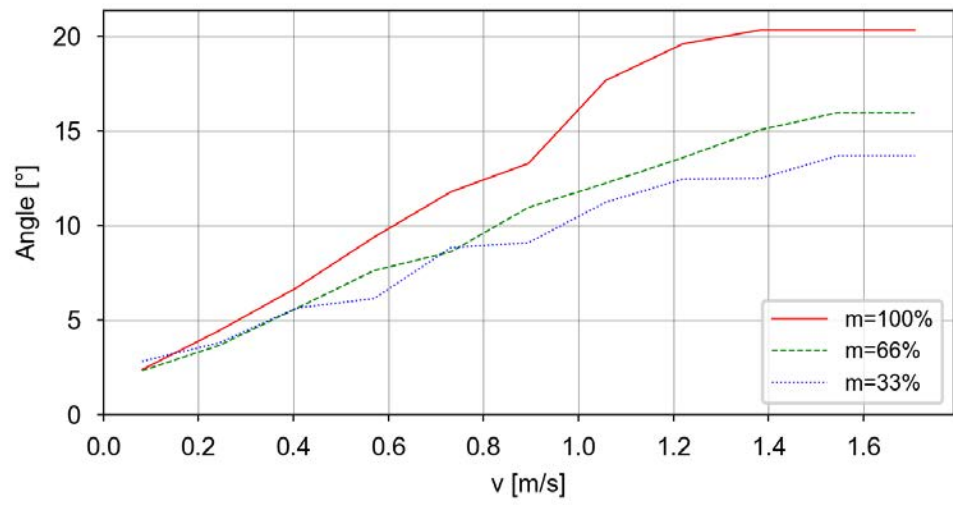
Continues on next page

## 2 Technical data for IRB 7720

### 2.10.3 IRB 7720-620/2.90

Continued

#### Category 1, Axis 3, Extension zone 0, stopping distance and stopping time





## 2.10.4 IRB 7720-530/3.10

## Used tooldata

```

PERS tooldata P100:= [ TRUE, [[0, 0, 0], [1, 0, 0, 0]], [530, [0,
0, 400], [1, 0, 0, 0], 14, 14, 14]];
PERS tooldata P66:= [ TRUE, [[0, 0, 0], [1, 0, 0, 0]], [353, [0,
0, 267], [1, 0, 0, 0], 6.3, 6.3, 6.3]];
PERS tooldata P33:= [ TRUE, [[0, 0, 0], [1, 0, 0, 0]], [177, [0,
0, 133], [1, 0, 0, 0], 1.6, 1.6, 1.6]];

```

## Category 0

The following table describes the stopping distance and time for category 0 stop.

Axis	Distance	Stop time
1	45.5°	1.01 s
2	11.3°	0.26 s
3	12.7°	0.33 s

## Category 1, extension zones

For definitions of the zones, see [Extension zones on page 94](#).

The zone border is the mounting interface location for axis 2 and axis 3.

## Axis 1

Zone border	Axis 2	Axis 3
z0-z1	-45°	0°
z1-z2	6°	0°

## Axis 2

Only one zone exists.

## Axis 3

Only one zone exists.

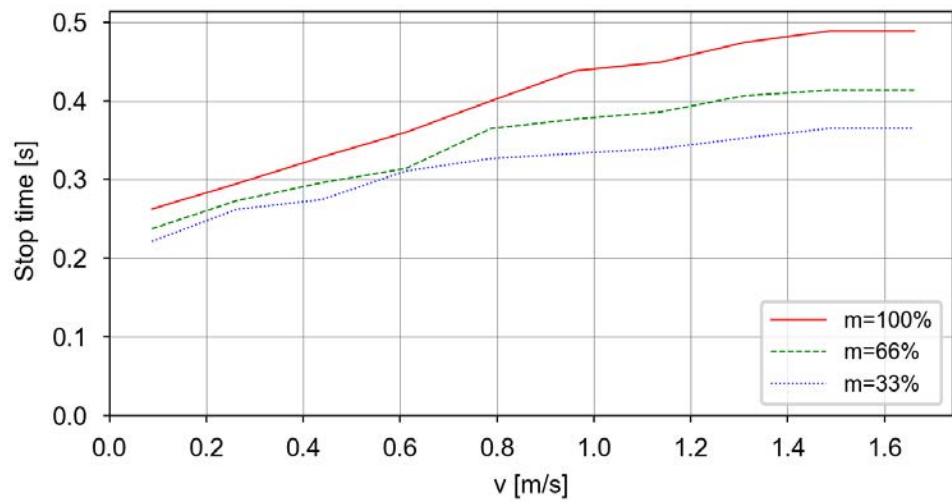
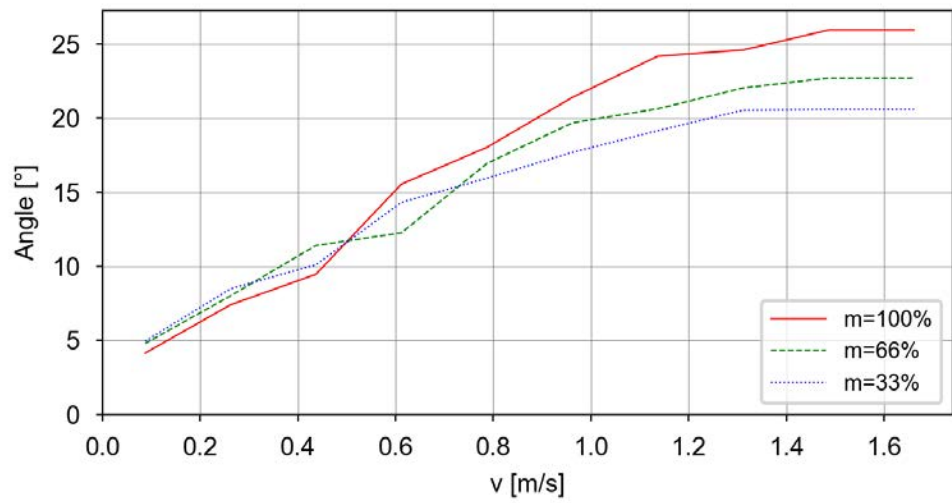
*Continues on next page*

## 2 Technical data for IRB 7720

### 2.10.4 IRB 7720-530/3.10

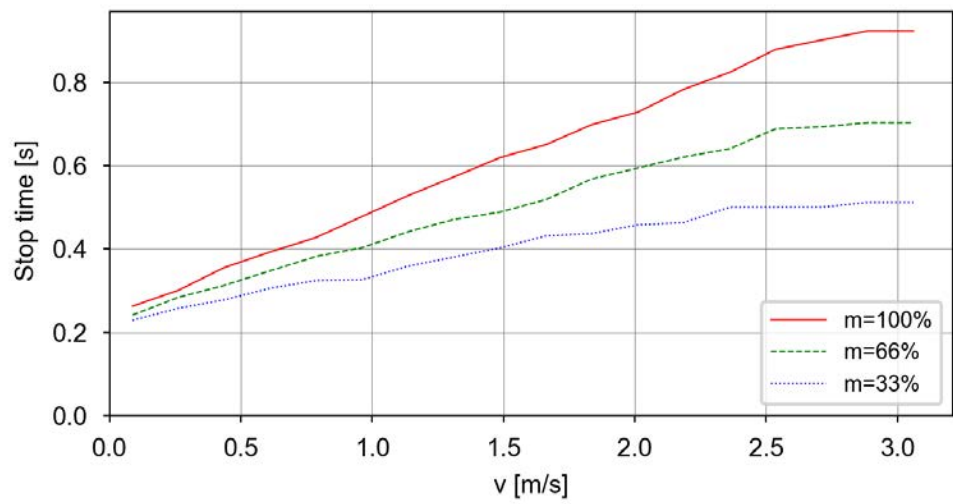
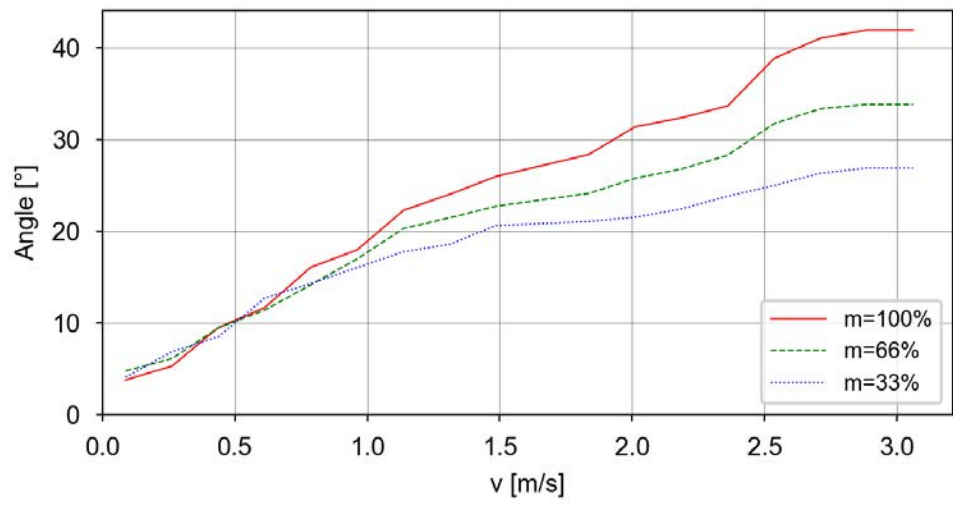
Continued

#### Category 1, Axis 1, Extension zone 0, stopping distance and stopping time



Continues on next page

Category 1, Axis 1, Extension zone 1, stopping distance and stopping time



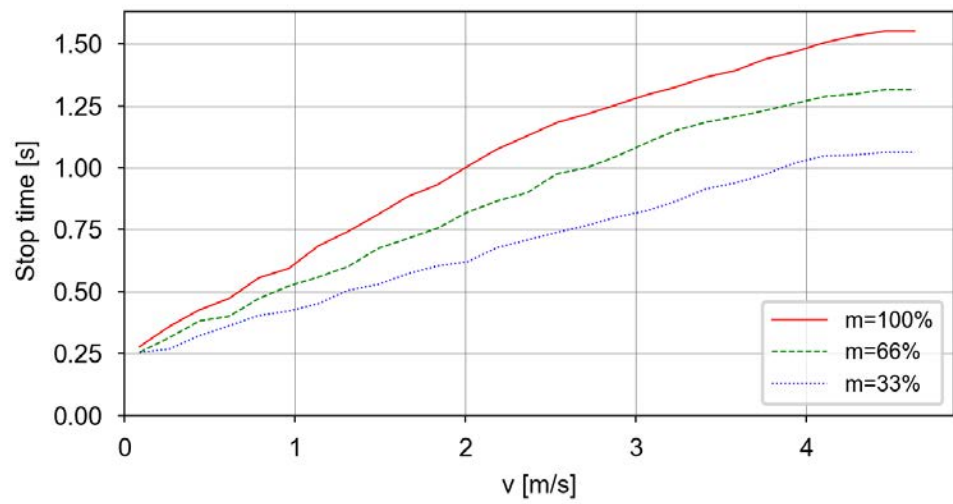
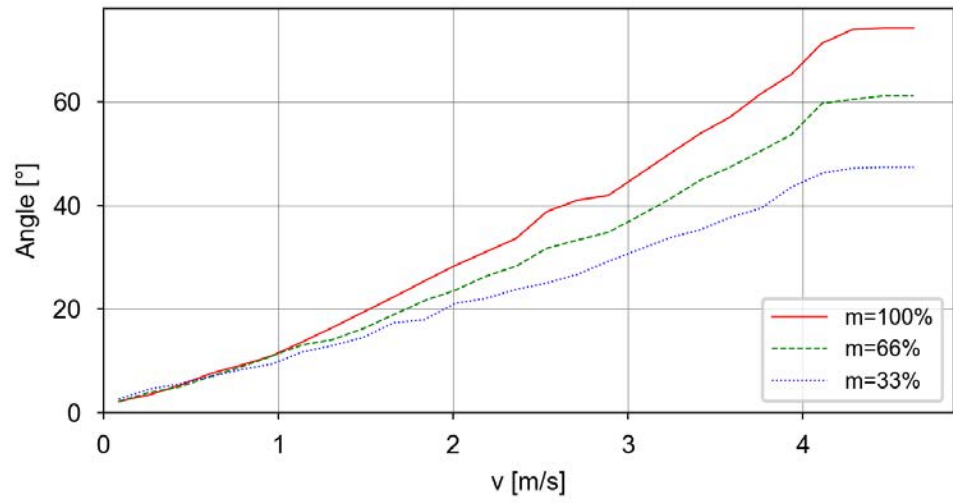
Continues on next page

## 2 Technical data for IRB 7720

### 2.10.4 IRB 7720-530/3.10

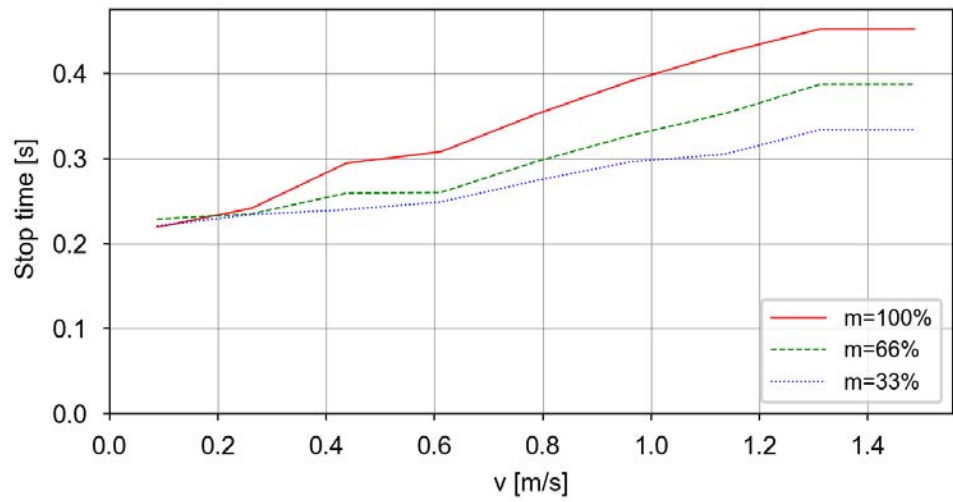
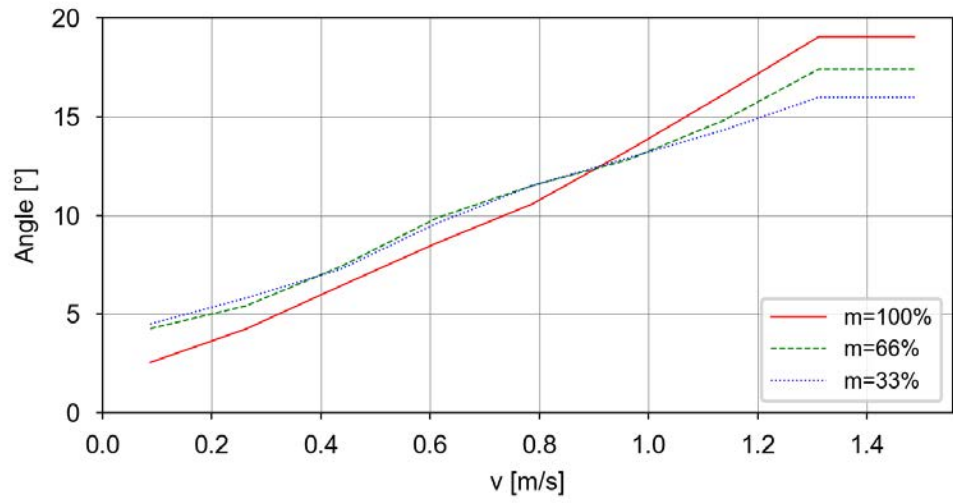
Continued

#### Category 1, Axis 1, Extension zone 2, stopping distance and stopping time



Continues on next page

Category 1, Axis 2, Extension zone 0, stopping distance and stopping time



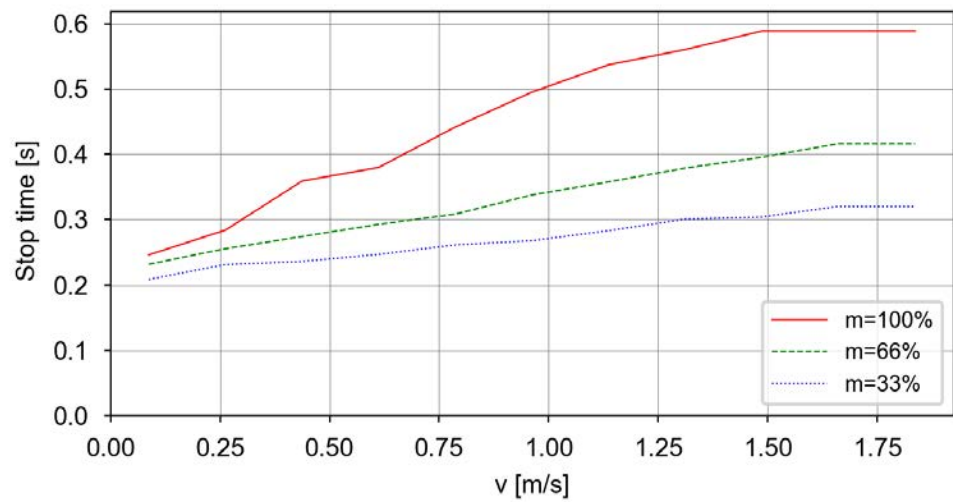
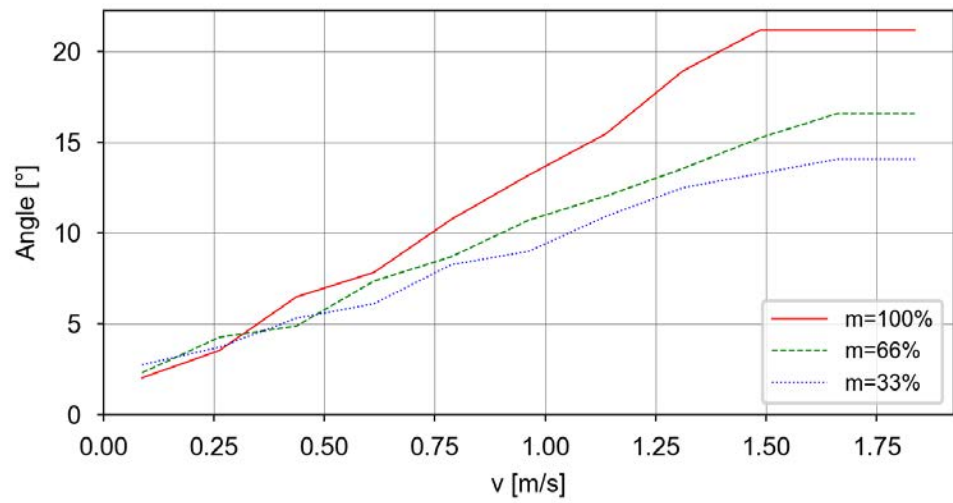
Continues on next page

## 2 Technical data for IRB 7720

### 2.10.4 IRB 7720-530/3.10

Continued

#### Category 1, Axis 3, Extension zone 0, stopping distance and stopping time



## 2.10.5 IRB 7720-510/3.30

### Used tooldata

```
PERS tooldata P100:= [ TRUE, [[0, 0, 0], [1, 0, 0, 0]], [510, [0,
0, 360], [1, 0, 0, 0], 11, 11, 11]];
PERS tooldata P66:= [ TRUE, [[0, 0, 0], [1, 0, 0, 0]], [340, [0,
0, 240], [1, 0, 0, 0], 4.9, 4.9, 4.9]];
PERS tooldata P33:= [ TRUE, [[0, 0, 0], [1, 0, 0, 0]], [170, [0,
0, 120], [1, 0, 0, 0], 1.2, 1.2, 1.2]];

```

### Category 0

The following table describes the stopping distance and time for category 0 stop.

Axis	Distance	Stop time
1	45.3°	1.01 s
2	10.9°	0.24 s
3	13.1°	0.34 s

### Category 1, extension zones

For definitions of the zones, see [Extension zones on page 94](#).

The zone border is the mounting interface location for axis 2 and axis 3.

#### Axis 1

Zone border	Axis 2	Axis 3
z0-z1	-45°	0°
z1-z2	6°	0°

#### Axis 2

Only one zone exists.

#### Axis 3

Only one zone exists.

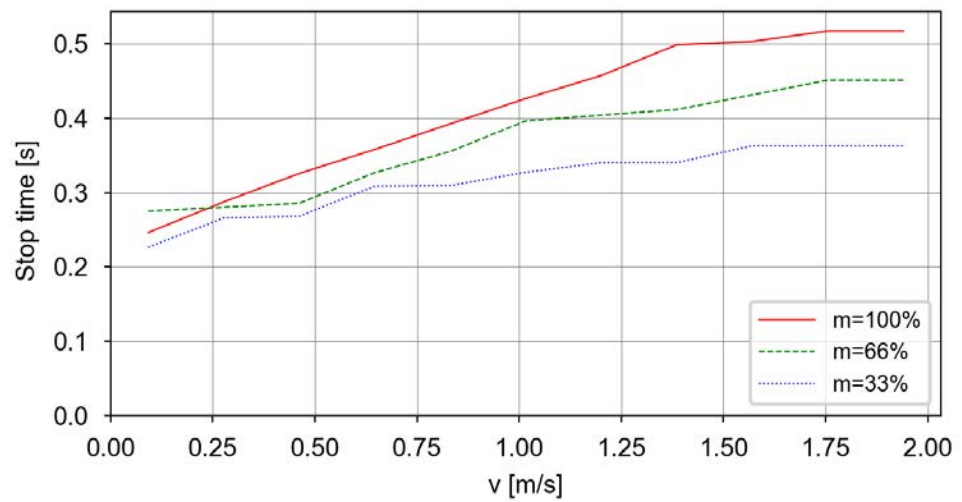
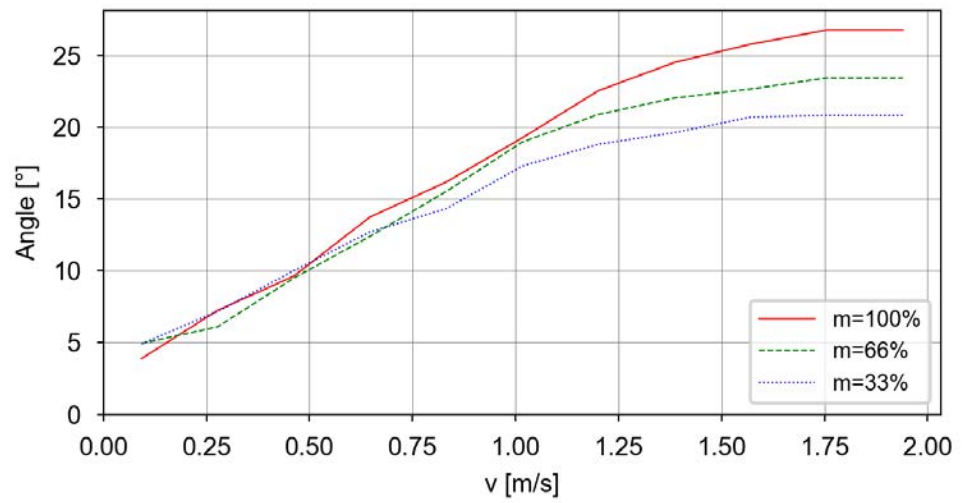
*Continues on next page*

## 2 Technical data for IRB 7720

### 2.10.5 IRB 7720-510/3.30

Continued

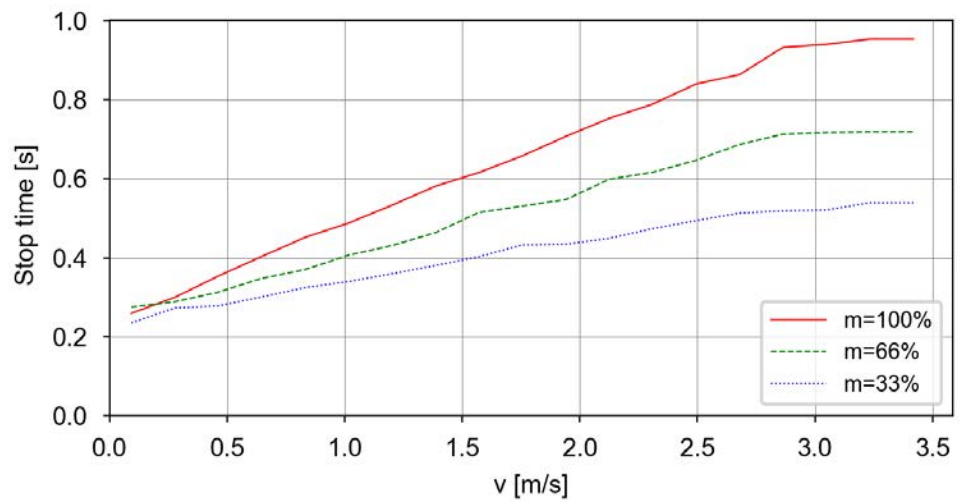
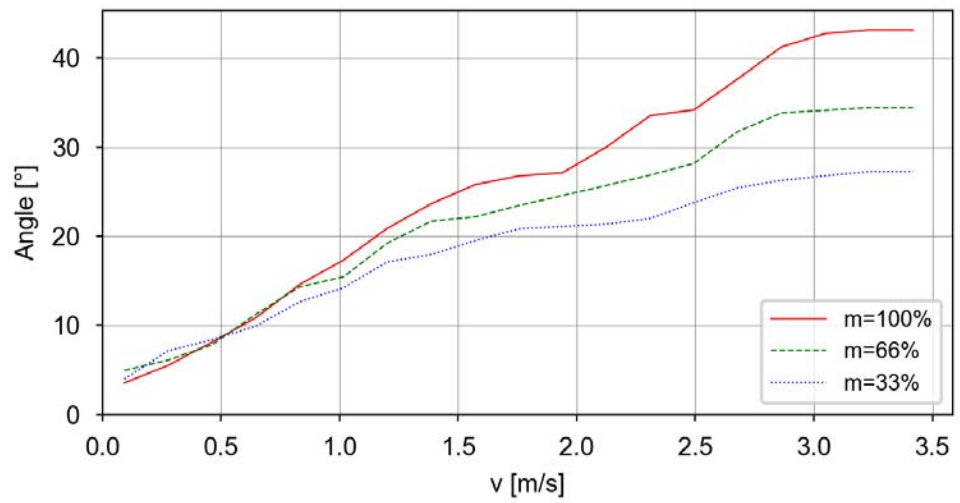
#### Category 1, Axis 1, Extension zone 0, stopping distance and stopping time



Continues on next page



Category 1, Axis 1, Extension zone 1, stopping distance and stopping time



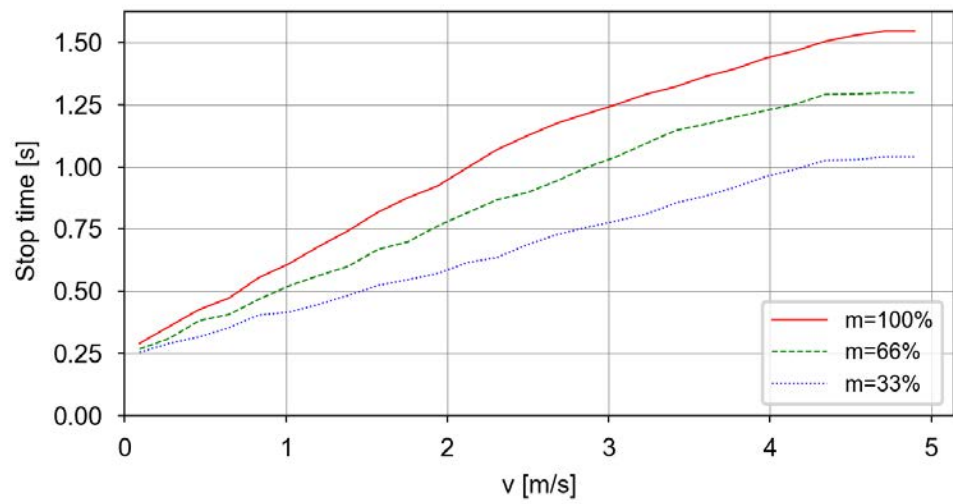
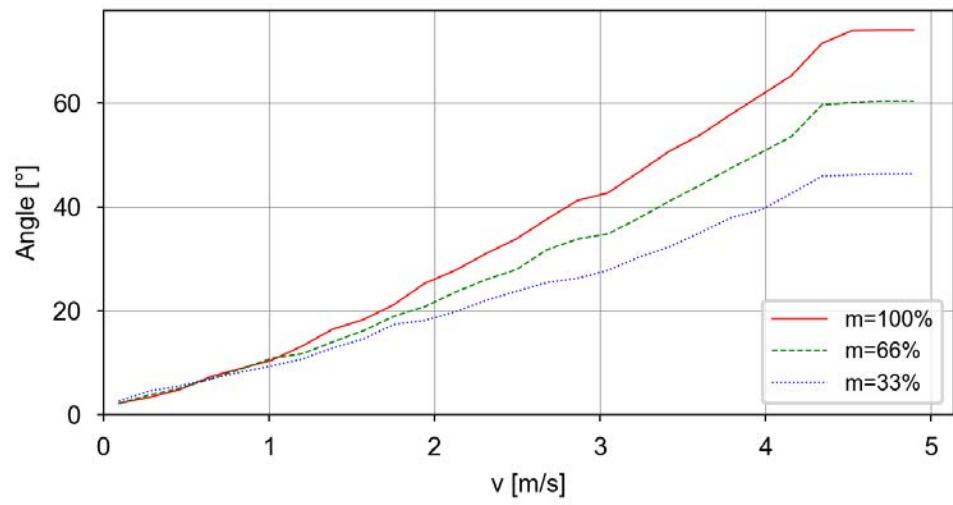
Continues on next page

## 2 Technical data for IRB 7720

### 2.10.5 IRB 7720-510/3.30

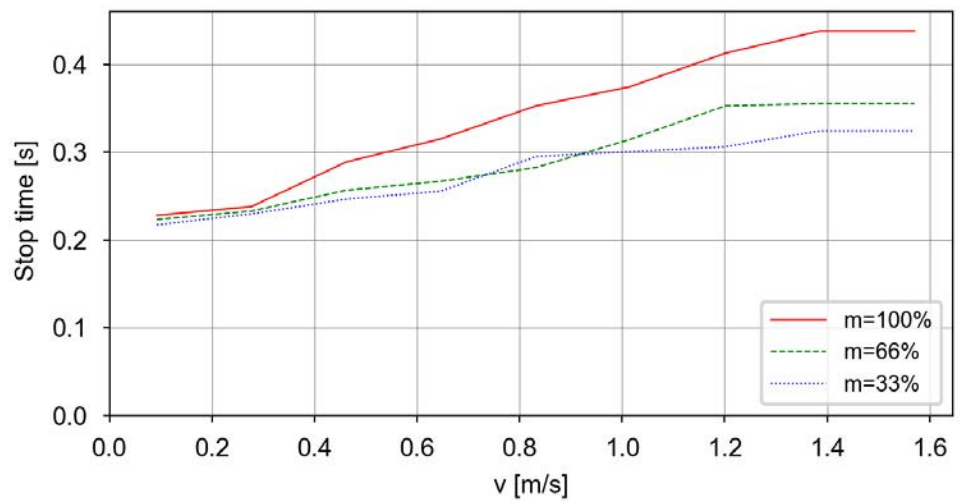
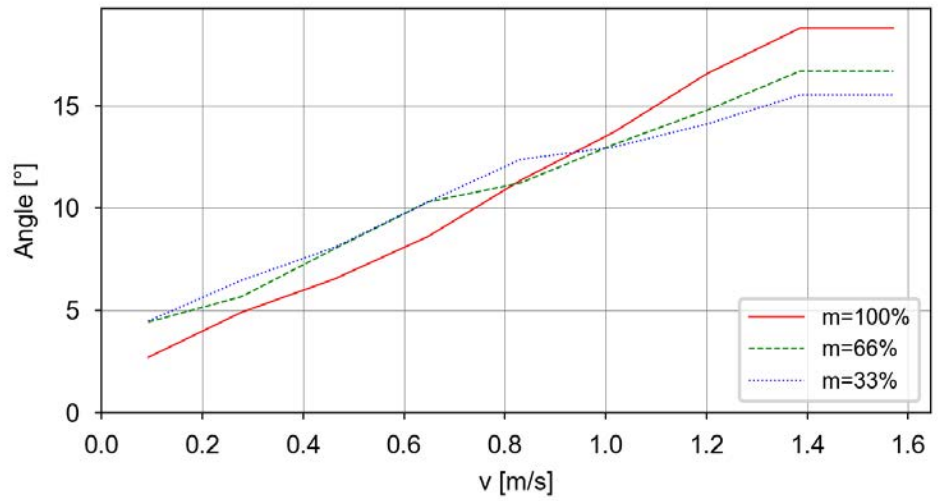
Continued

#### Category 1, Axis 1, Extension zone 2, stopping distance and stopping time



Continues on next page

Category 1, Axis 2, Extension zone 0, stopping distance and stopping time



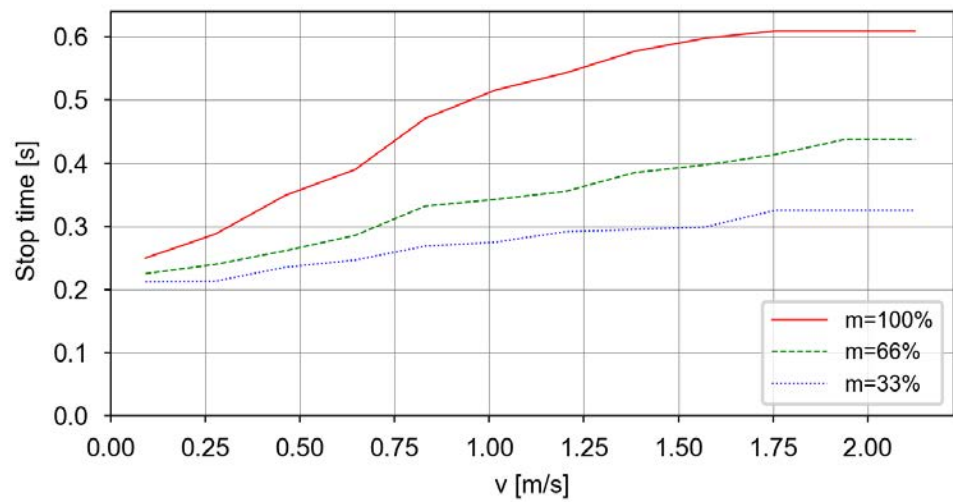
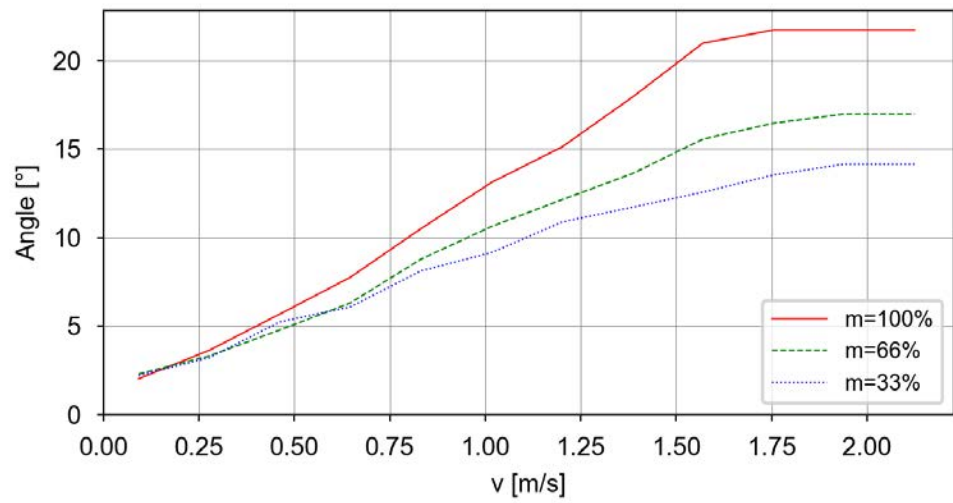
Continues on next page

## 2 Technical data for IRB 7720

### 2.10.5 IRB 7720-510/3.30

Continued

#### Category 1, Axis 3, Extension zone 0, stopping distance and stopping time



## 2.10.6 IRB 7720-450/3.50

### Used tooldata

```
PERS tooldata P100:= [ TRUE, [[0, 0, 0], [1, 0, 0, 0]], [450, [0,
0, 360], [1, 0, 0, 0], 9.7, 9.7, 9.7]];
PERS tooldata P66:= [ TRUE, [[0, 0, 0], [1, 0, 0, 0]], [300, [0,
0, 240], [1, 0, 0, 0], 4.3, 4.3, 4.3]];
PERS tooldata P33:= [ TRUE, [[0, 0, 0], [1, 0, 0, 0]], [150, [0,
0, 120], [1, 0, 0, 0], 1.1, 1.1, 1.1]];

```

### Category 0

The following table describes the stopping distance and time for category 0 stop.

Axis	Distance	Stop time
1	45.7°	1.02 s
2	10.6°	0.24 s
3	13.6°	0.36 s

### Category 1, extension zones

For definitions of the zones, see [Extension zones on page 94](#).

The zone border is the mounting interface location for axis 2 and axis 3.

#### Axis 1

Zone border	Axis 2	Axis 3
z0-z1	-45°	0°
z1-z2	6°	0°

#### Axis 2

Only one zone exists.

#### Axis 3

Only one zone exists.

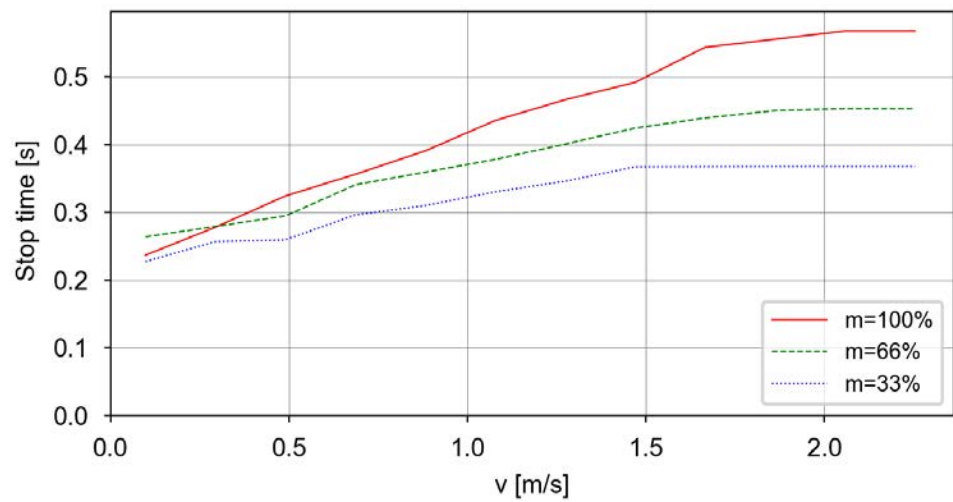
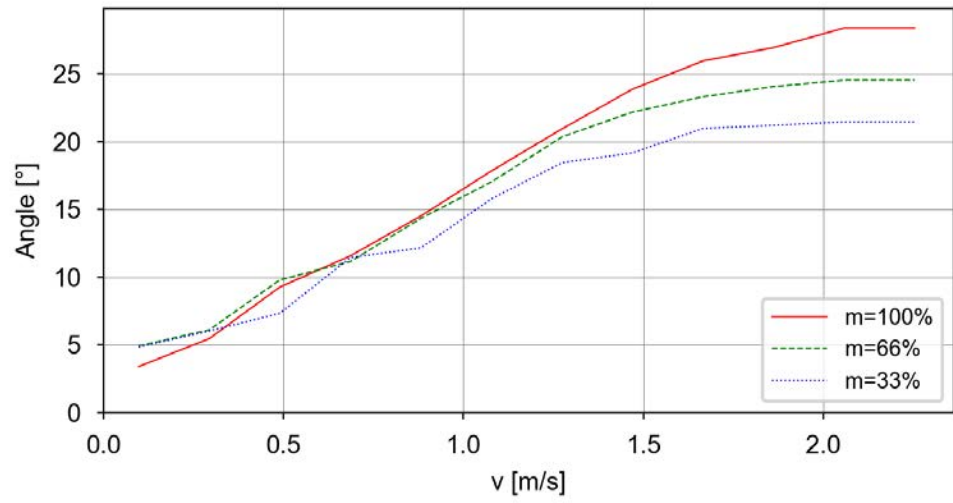
*Continues on next page*

## 2 Technical data for IRB 7720

### 2.10.6 IRB 7720-450/3.50

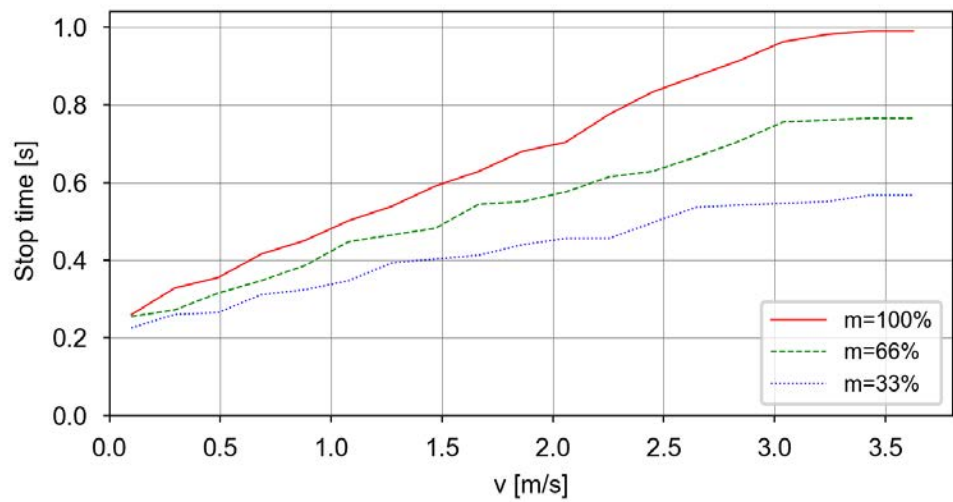
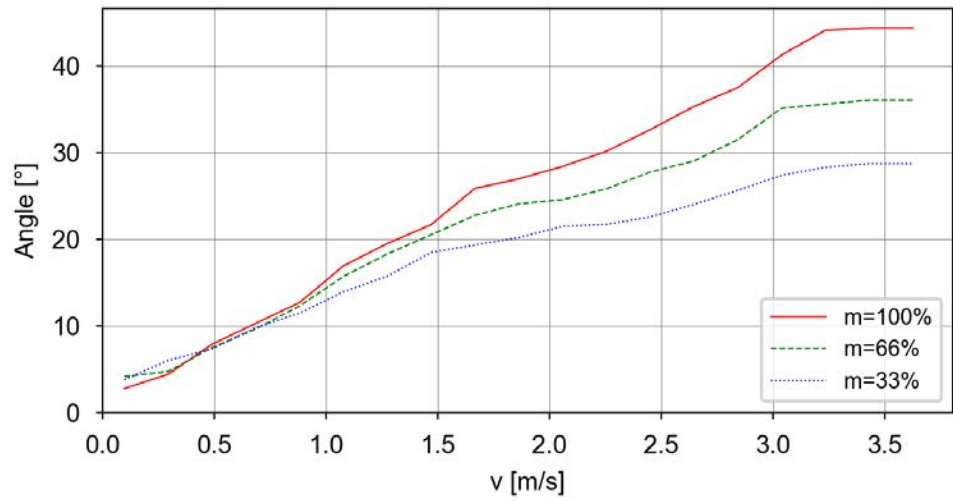
Continued

#### Category 1, Axis 1, Extension zone 0, stopping distance and stopping time



Continues on next page

Category 1, Axis 1, Extension zone 1, stopping distance and stopping time



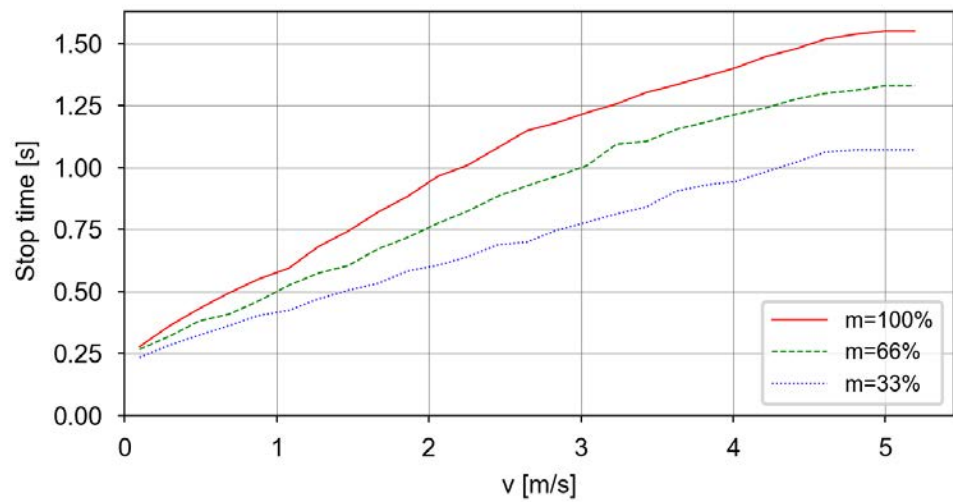
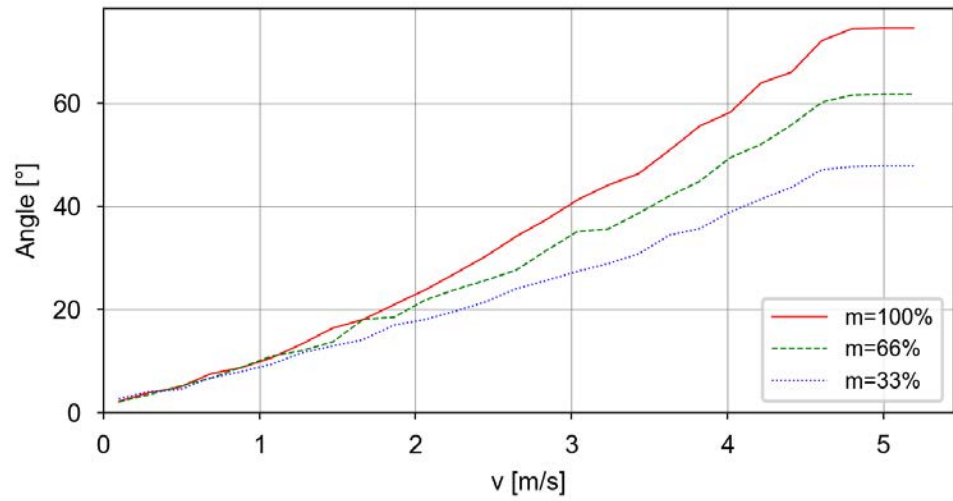
Continues on next page

## 2 Technical data for IRB 7720

### 2.10.6 IRB 7720-450/3.50

Continued

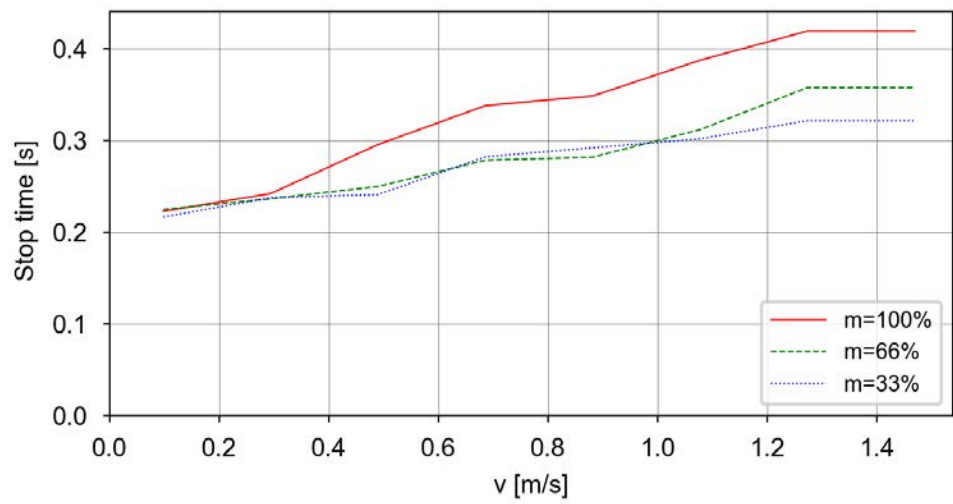
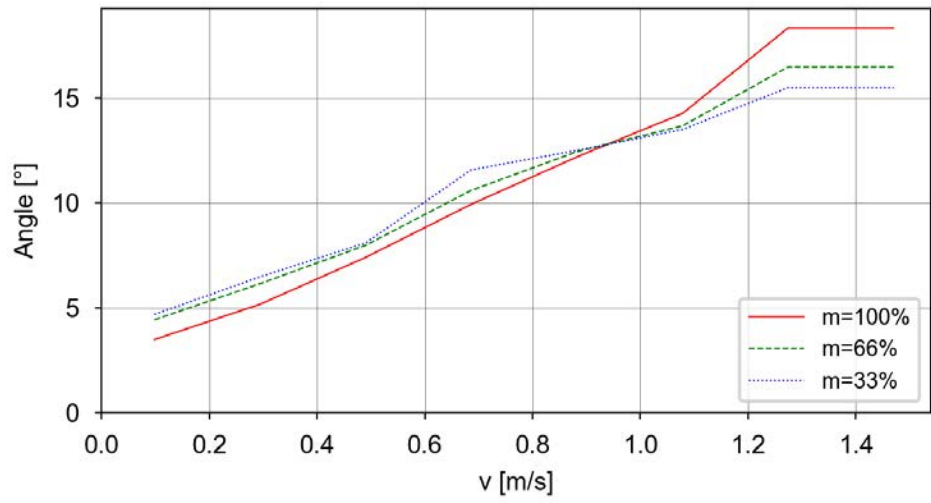
#### Category 1, Axis 1, Extension zone 2, stopping distance and stopping time



Continues on next page



Category 1, Axis 2, Extension zone 0, stopping distance and stopping time



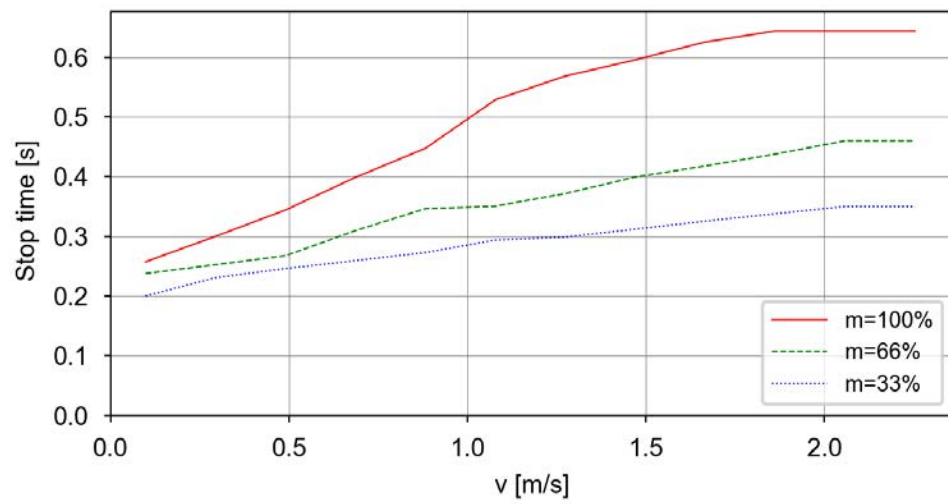
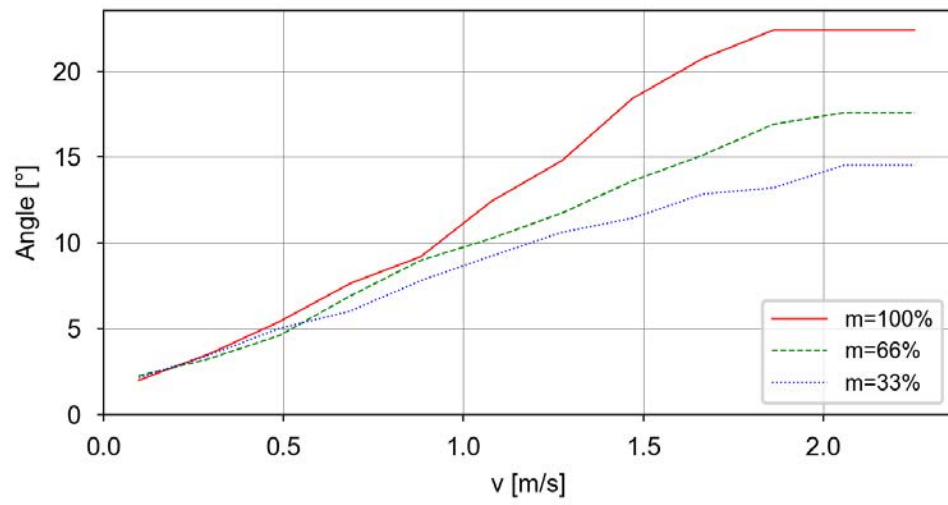
Continues on next page

## 2 Technical data for IRB 7720

### 2.10.6 IRB 7720-450/3.50

Continued

#### Category 1, Axis 3, Extension zone 0, stopping distance and stopping time



## 2.10.7 IRB 7720-560/2.90 LID

### Used tooldata

```
PERS tooldata P100:= [ TRUE, [[0, 0, 0], [1, 0, 0, 0]], [560, [0,
0, 400], [1, 0, 0, 0], 15, 15, 15]];
PERS tooldata P66:= [ TRUE, [[0, 0, 0], [1, 0, 0, 0]], [373, [0,
0, 267], [1, 0, 0, 0], 6.6, 6.6, 6.6]];
PERS tooldata P33:= [ TRUE, [[0, 0, 0], [1, 0, 0, 0]], [187, [0,
0, 133], [1, 0, 0, 0], 1.7, 1.7, 1.7]];

```

### Category 0

The following table describes the stopping distance and time for category 0 stop.

Axis	Distance	Stop time
1	45.7°	1.02 s
2	11.4°	0.26 s
3	12.5°	0.32 s

### Category 1, extension zones

For definitions of the zones, see [Extension zones on page 94](#).

The zone border is the mounting interface location for axis 2 and axis 3.

#### Axis 1

Zone border	Axis 2	Axis 3
z0-z1	-45°	0°
z1-z2	6°	0°

#### Axis 2

Only one zone exists.

#### Axis 3

Only one zone exists.

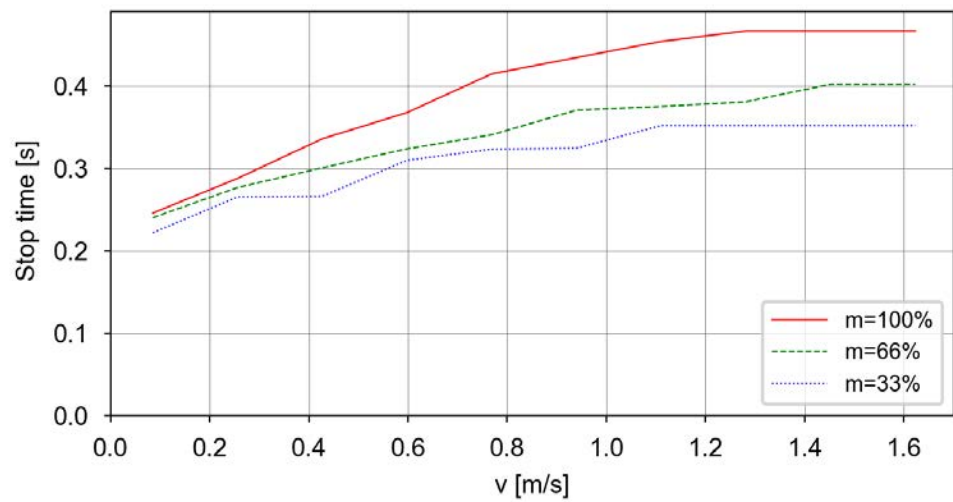
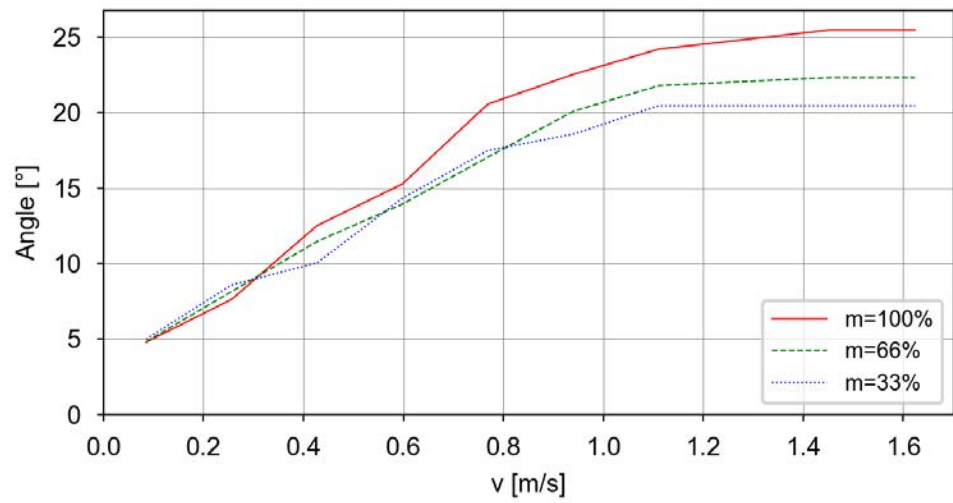
*Continues on next page*

## 2 Technical data for IRB 7720

### 2.10.7 IRB 7720-560/2.90 LID

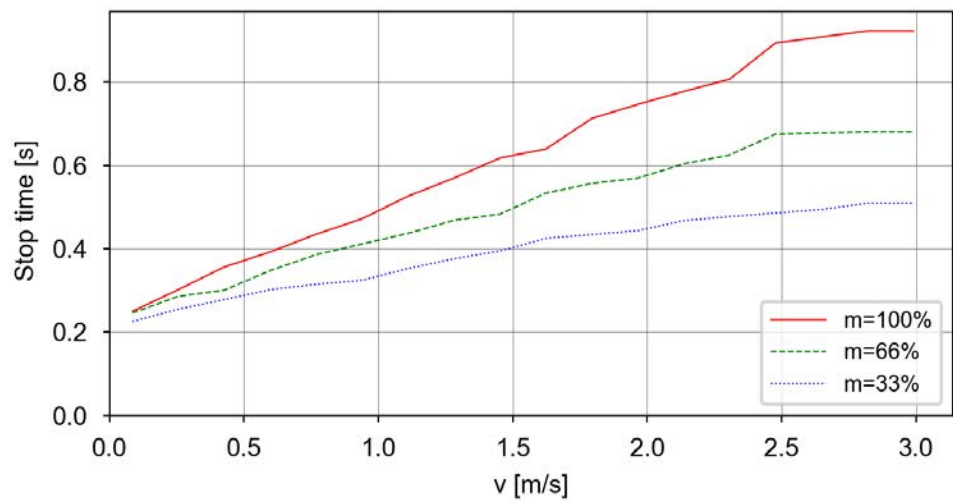
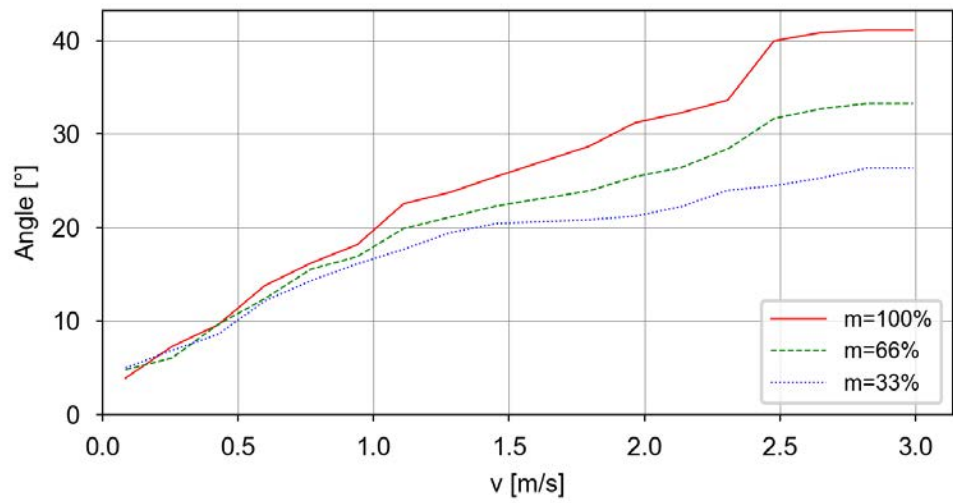
Continued

#### Category 1, Axis 1, Extension zone 0, stopping distance and stopping time



Continues on next page

Category 1, Axis 1, Extension zone 1, stopping distance and stopping time



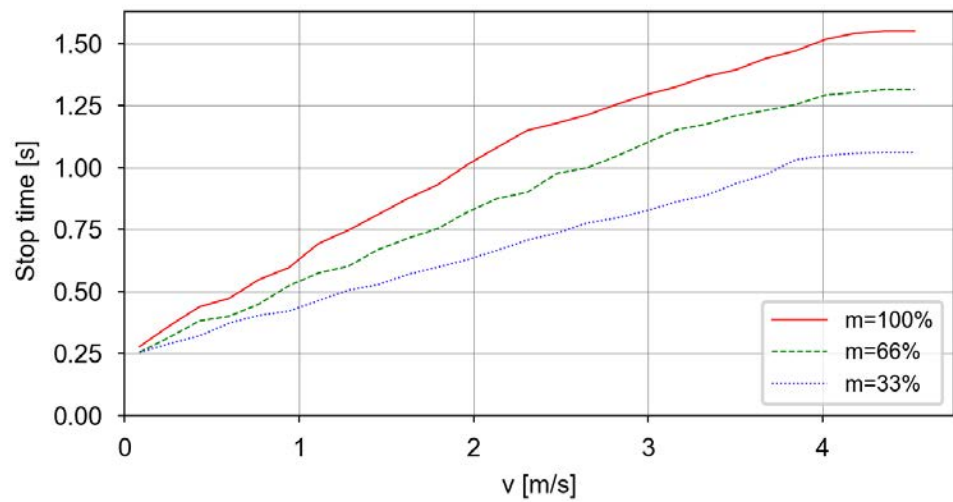
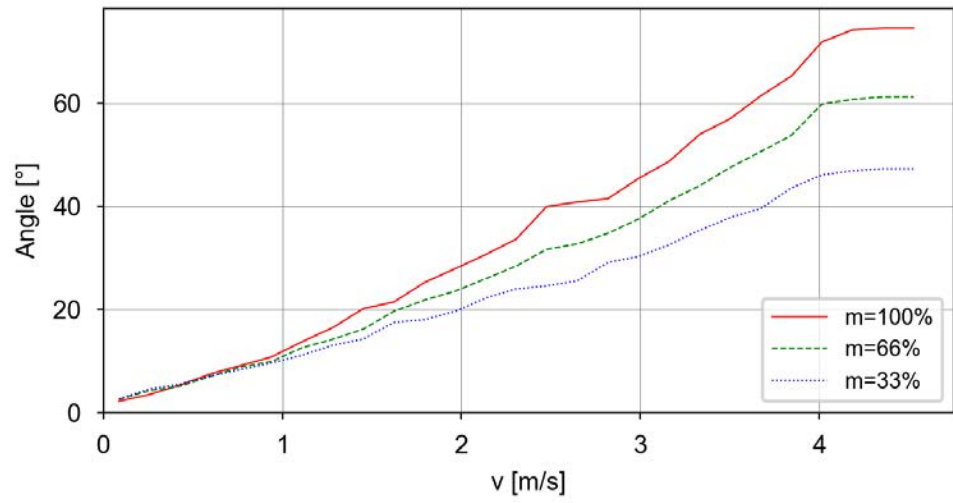
Continues on next page

## 2 Technical data for IRB 7720

### 2.10.7 IRB 7720-560/2.90 LID

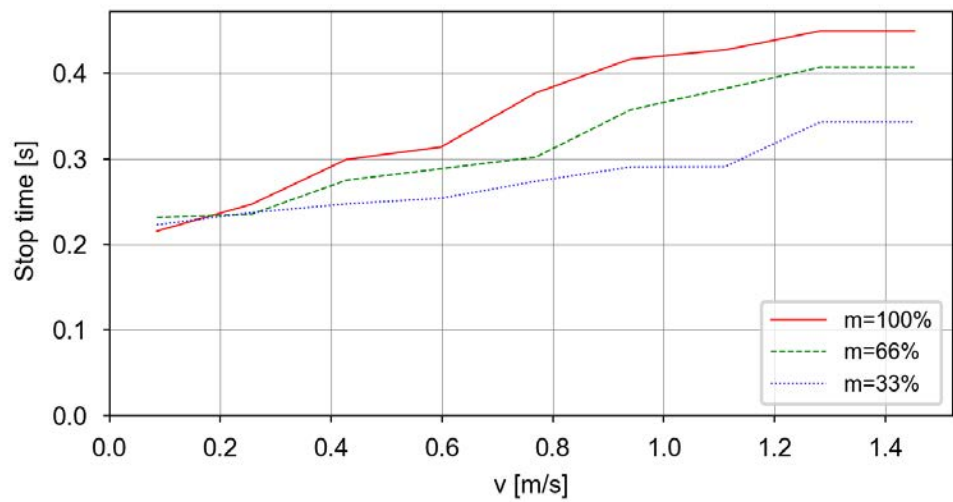
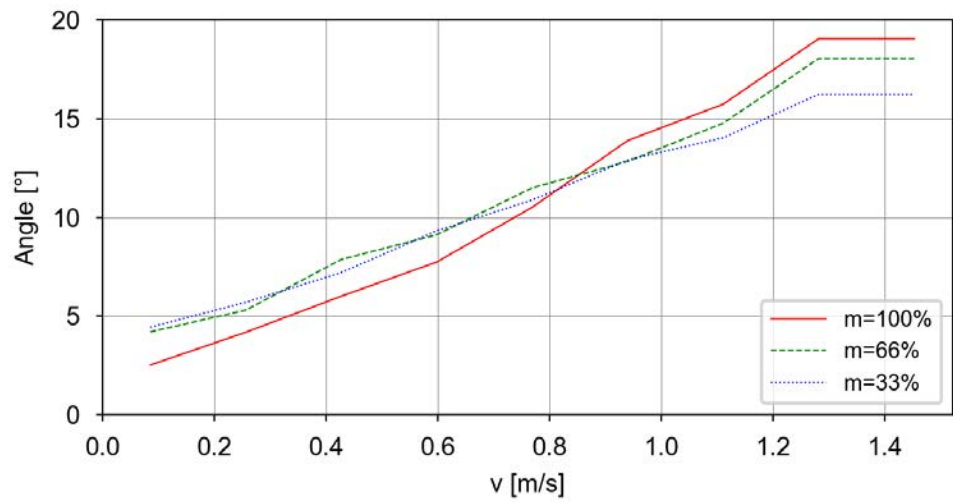
Continued

#### Category 1, Axis 1, Extension zone 2, stopping distance and stopping time



Continues on next page

Category 1, Axis 2, Extension zone 0, stopping distance and stopping time



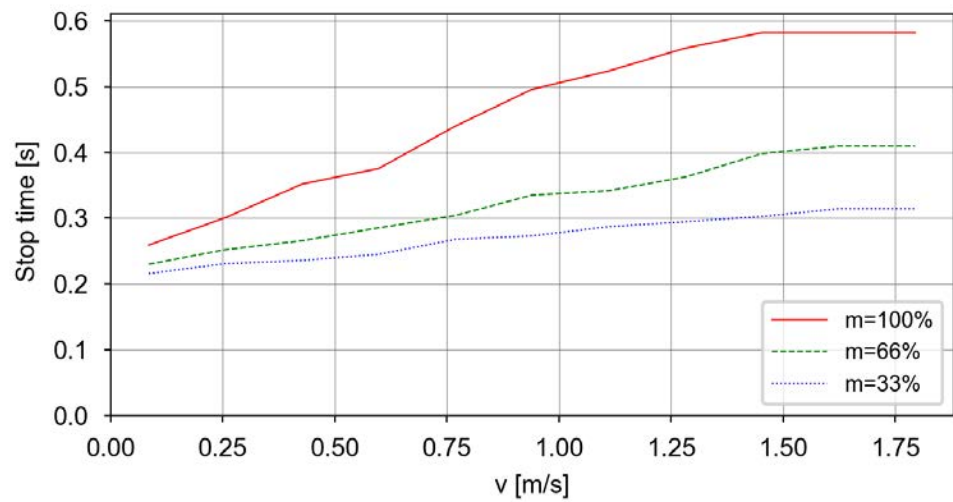
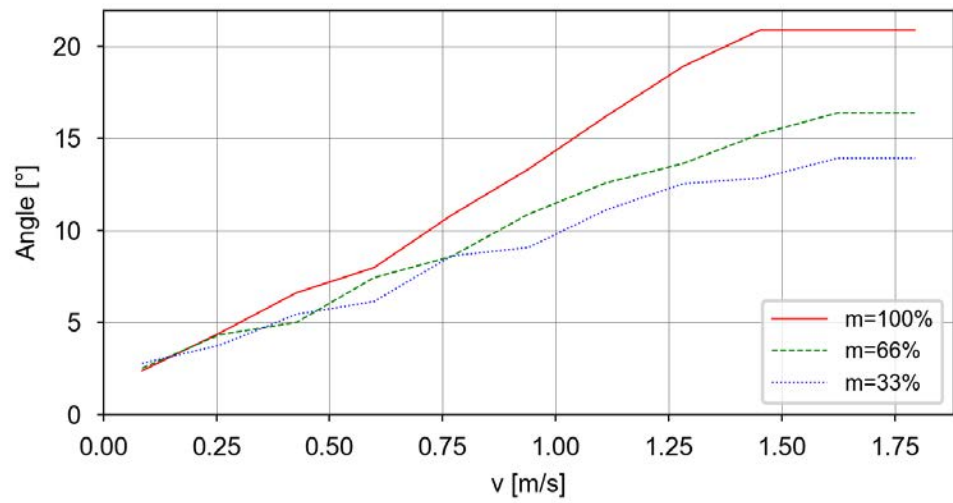
Continues on next page

## 2 Technical data for IRB 7720

### 2.10.7 IRB 7720-560/2.90 LID

Continued

#### Category 1, Axis 3, Extension zone 0, stopping distance and stopping time





2.10.8 IRB 7720-480/3.10 LID

Used tooldata

```
PERS tooldata P100:= [ TRUE, [[0, 0, 0], [1, 0, 0, 0]], [480, [0, 0, 400], [1, 0, 0, 0], 13, 13, 13]];
PERS tooldata P66:= [ TRUE, [[0, 0, 0], [1, 0, 0, 0]], [320, [0, 0, 267], [1, 0, 0, 0], 5.7, 5.7, 5.7]];
PERS tooldata P33:= [ TRUE, [[0, 0, 0], [1, 0, 0, 0]], [160, [0, 0, 133], [1, 0, 0, 0], 1.4, 1.4, 1.4]];
```

Category 0

The following table describes the stopping distance and time for category 0 stop.

Axis	Distance	Stop time
1	46.4°	1.03 s
2	11.4°	0.26 s
3	13.0°	0.34 s

Category 1, extension zones

For definitions of the zones, see [Extension zones on page 94](#).

The zone border is the mounting interface location for axis 2 and axis 3.

Axis 1

Zone border	Axis 2	Axis 3
z0-z1	-45°	0°
z1-z2	6°	0°

Axis 2

Only one zone exists.

Axis 3

Only one zone exists.

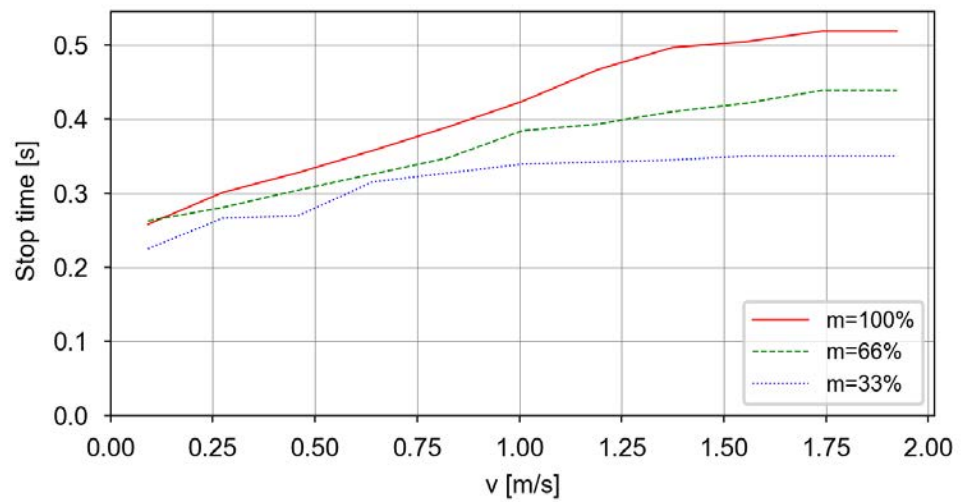
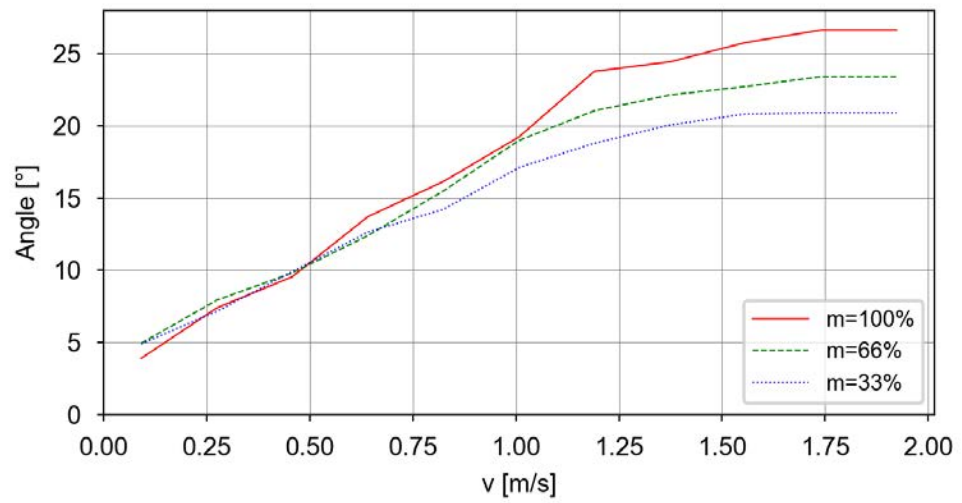
*Continues on next page*

## 2 Technical data for IRB 7720

### 2.10.8 IRB 7720-480/3.10 LID

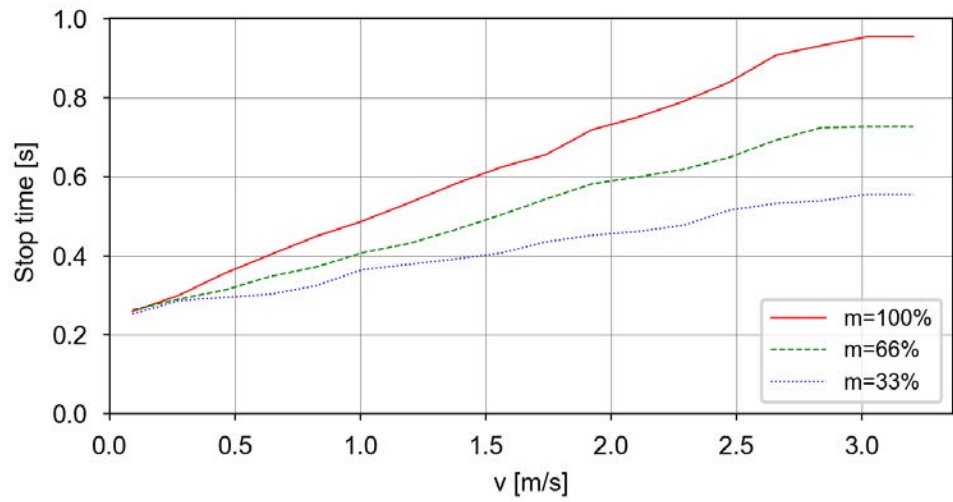
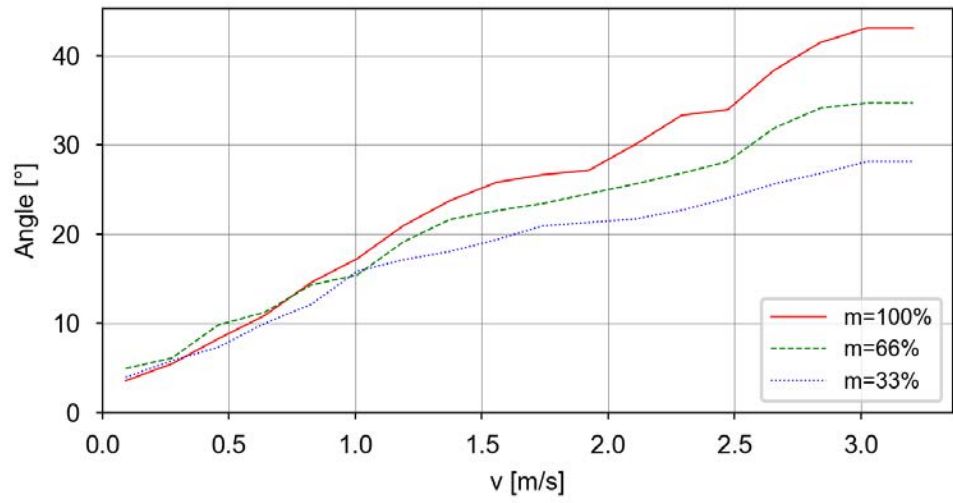
Continued

#### Category 1, Axis 1, Extension zone 0, stopping distance and stopping time



Continues on next page

Category 1, Axis 1, Extension zone 1, stopping distance and stopping time



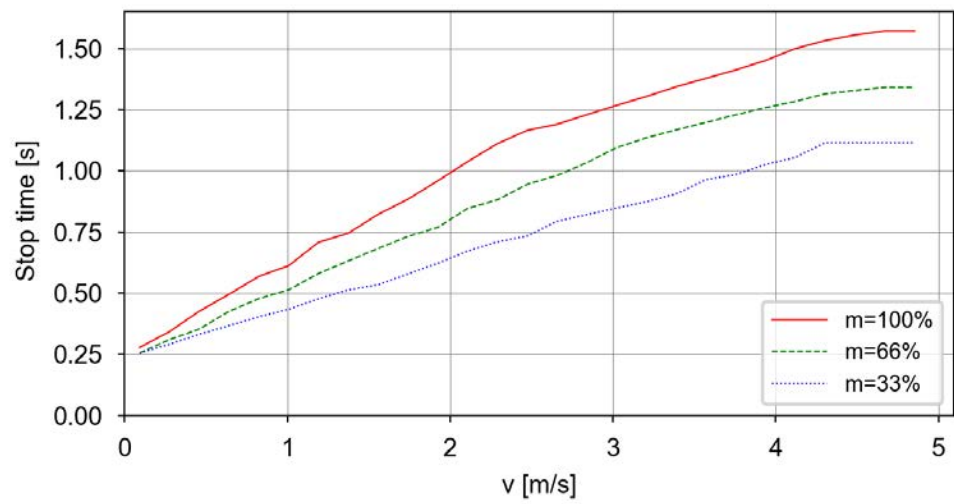
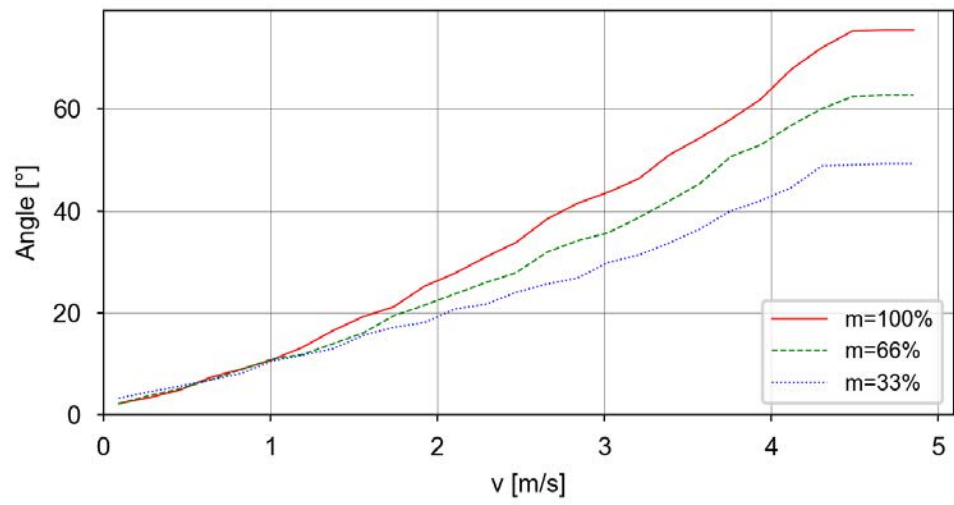
Continues on next page

## 2 Technical data for IRB 7720

### 2.10.8 IRB 7720-480/3.10 LID

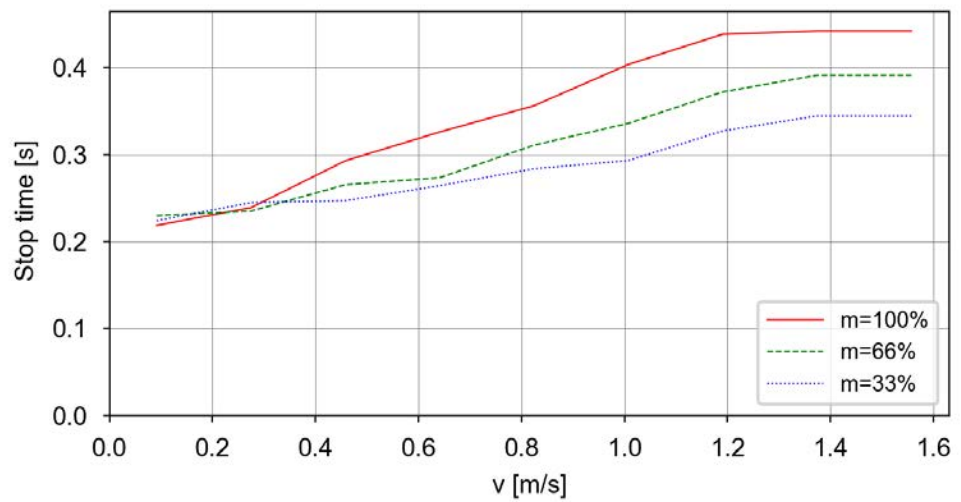
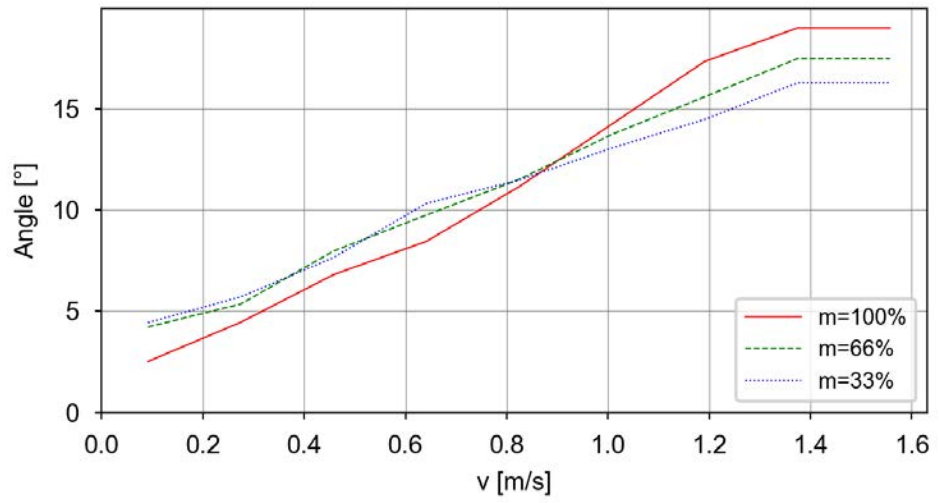
Continued

#### Category 1, Axis 1, Extension zone 2, stopping distance and stopping time



Continues on next page

Category 1, Axis 2, Extension zone 0, stopping distance and stopping time



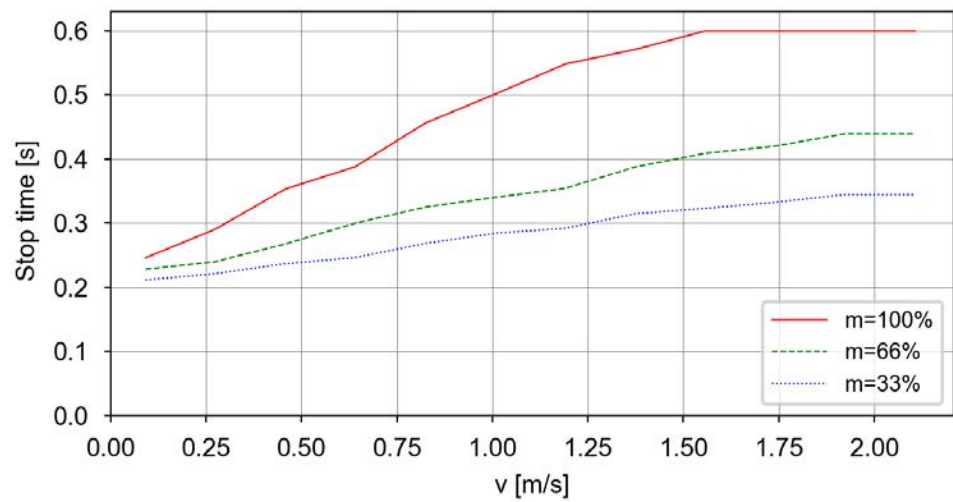
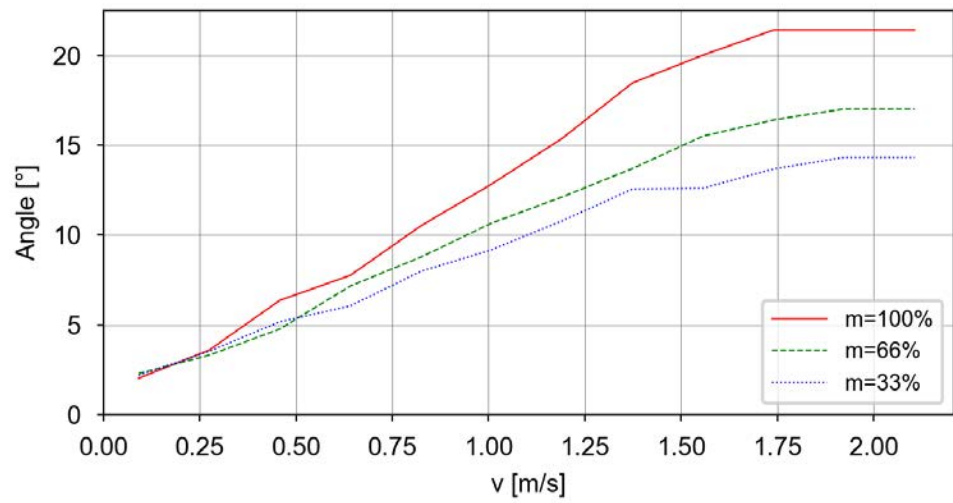
Continues on next page

## 2 Technical data for IRB 7720

### 2.10.8 IRB 7720-480/3.10 LID

Continued

#### Category 1, Axis 3, Extension zone 0, stopping distance and stopping time



## 2.10.9 IRB 7720-400/3.30 LID

### Used tooldata

```
PERS tooldata P100:= [ TRUE, [[0, 0, 0], [1, 0, 0, 0]], [400, [0,
0, 360], [1, 0, 0, 0], 8.6, 8.6, 8.6]];
PERS tooldata P66:= [ TRUE, [[0, 0, 0], [1, 0, 0, 0]], [267, [0,
0, 240], [1, 0, 0, 0], 3.8, 3.8, 3.8]];
PERS tooldata P33:= [ TRUE, [[0, 0, 0], [1, 0, 0, 0]], [133, [0,
0, 120], [1, 0, 0, 0], 0.96, 0.96, 0.96]];
```

### Category 0

The following table describes the stopping distance and time for category 0 stop.

Axis	Distance	Stop time
1	42.8°	0.95 s
2	10.6°	0.24 s
3	13.0°	0.34 s

### Category 1, extension zones

For definitions of the zones, see [Extension zones on page 94](#).

The zone border is the mounting interface location for axis 2 and axis 3.

#### Axis 1

Zone border	Axis 2	Axis 3
z0-z1	-45°	0°
z1-z2	6°	0°

#### Axis 2

Only one zone exists.

#### Axis 3

Only one zone exists.

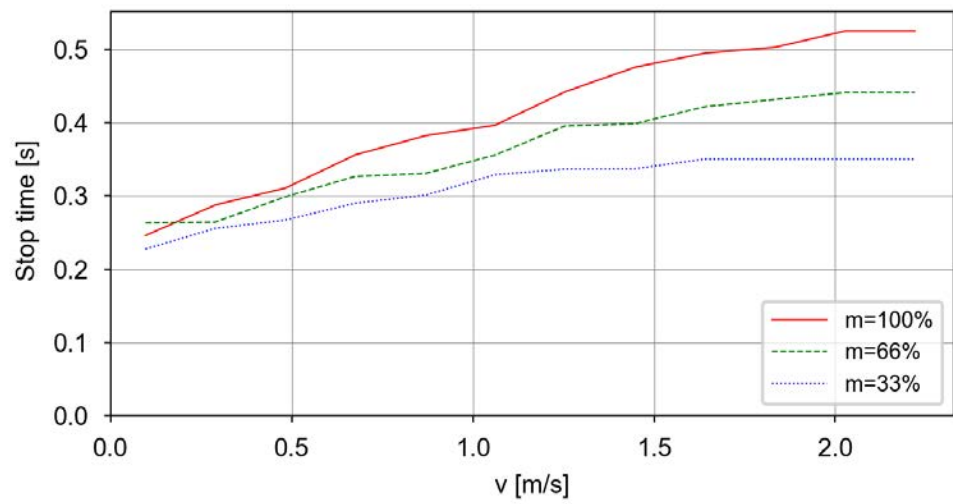
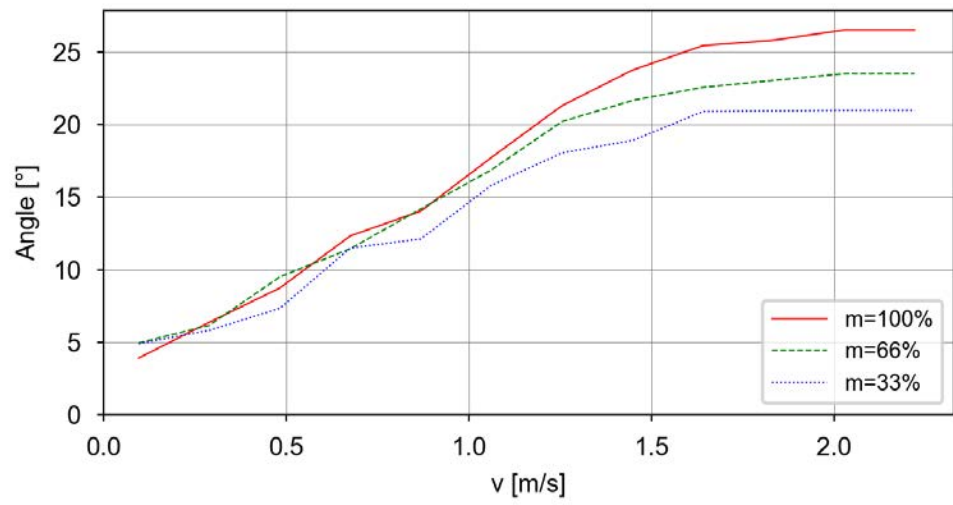
*Continues on next page*

## 2 Technical data for IRB 7720

### 2.10.9 IRB 7720-400/3.30 LID

Continued

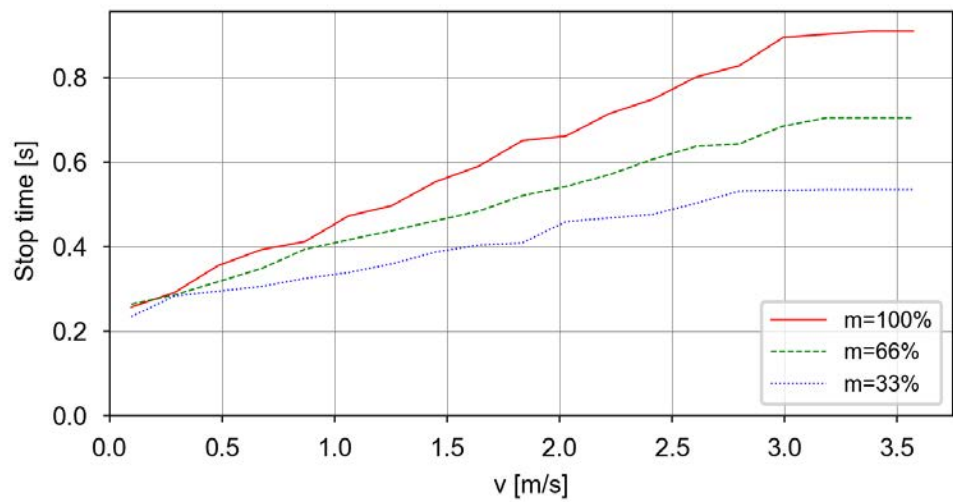
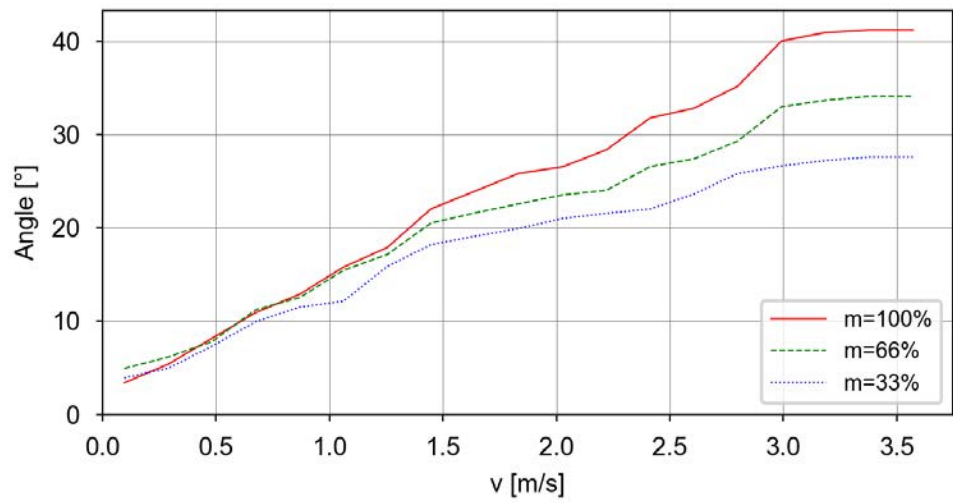
#### Category 1, Axis 1, Extension zone 0, stopping distance and stopping time



Continues on next page



Category 1, Axis 1, Extension zone 1, stopping distance and stopping time



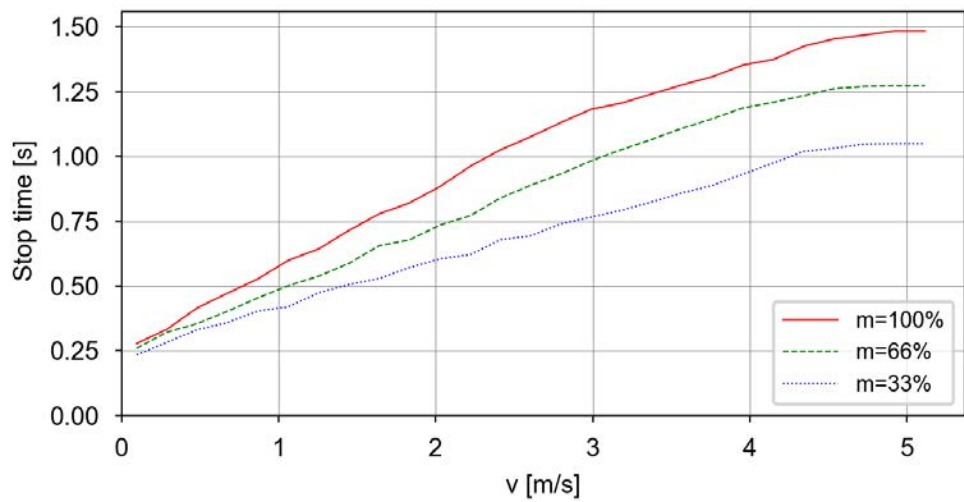
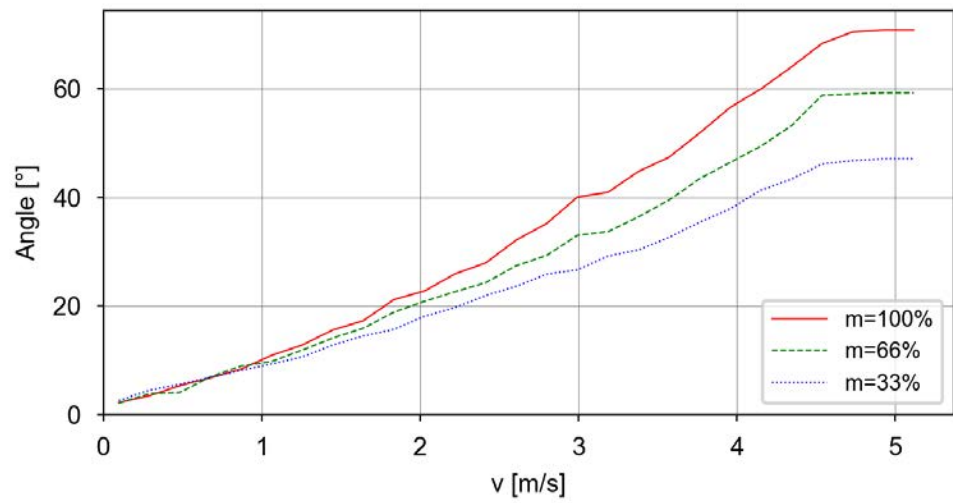
Continues on next page

## 2 Technical data for IRB 7720

### 2.10.9 IRB 7720-400/3.30 LID

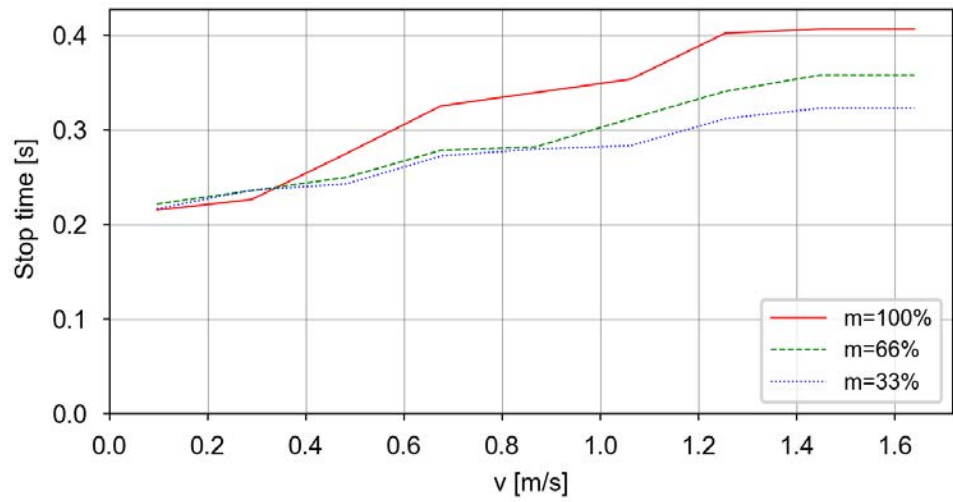
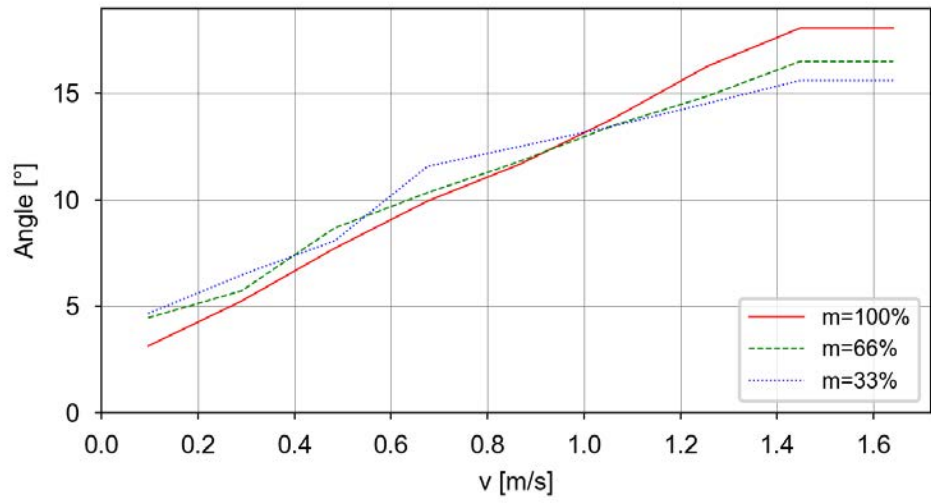
Continued

#### Category 1, Axis 1, Extension zone 2, stopping distance and stopping time



Continues on next page

Category 1, Axis 2, Extension zone 0, stopping distance and stopping time



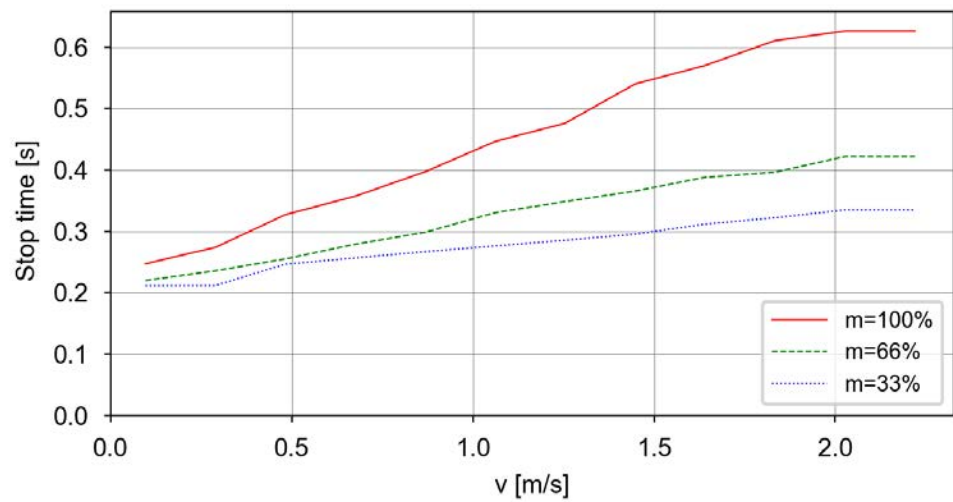
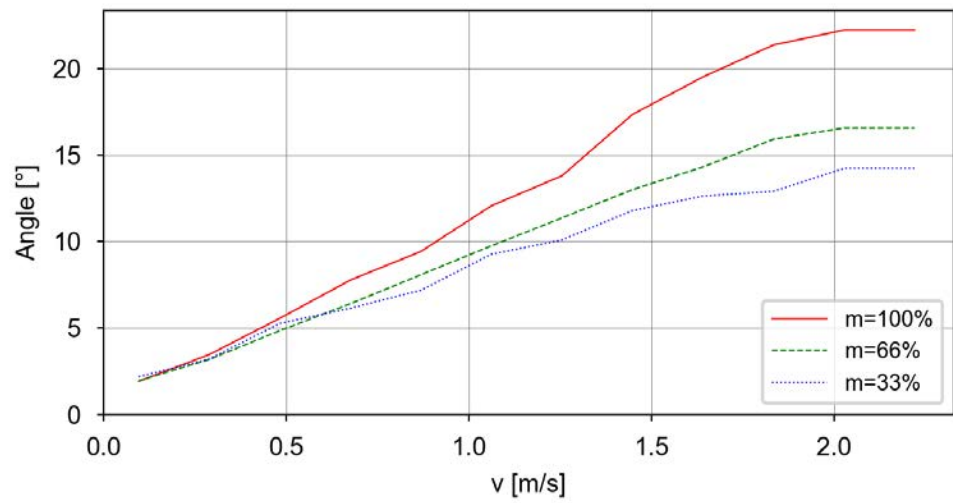
Continues on next page

## 2 Technical data for IRB 7720

### 2.10.9 IRB 7720-400/3.30 LID

Continued

#### Category 1, Axis 3, Extension zone 0, stopping distance and stopping time



## 2.10.10 IRB 7720-400/3.50 LID

### Used tooldata

```
PERS tooldata P100:= [ TRUE, [[0, 0, 0], [1, 0, 0, 0]], [400, [0,
0, 360], [1, 0, 0, 0], 8.6, 8.6, 8.6]];
PERS tooldata P66:= [ TRUE, [[0, 0, 0], [1, 0, 0, 0]], [267, [0,
0, 240], [1, 0, 0, 0], 3.8, 3.8, 3.8]];
PERS tooldata P33:= [ TRUE, [[0, 0, 0], [1, 0, 0, 0]], [133, [0,
0, 120], [1, 0, 0, 0], 0.96, 0.96, 0.96]];
```

### Category 0

The following table describes the stopping distance and time for category 0 stop.

Axis	Distance	Stop time
1	46.3°	1.03 s
2	10.6°	0.24 s
3	13.8°	0.37 s

### Category 1, extension zones

For definitions of the zones, see [Extension zones on page 94](#).

The zone border is the mounting interface location for axis 2 and axis 3.

#### Axis 1

Zone border	Axis 2	Axis 3
z0-z1	-45°	0°
z1-z2	6°	0°

#### Axis 2

Only one zone exists.

#### Axis 3

Only one zone exists.

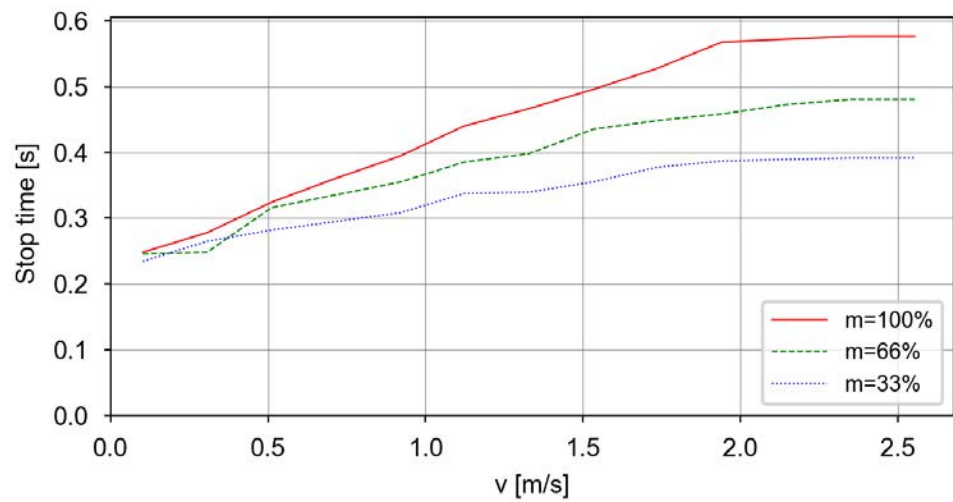
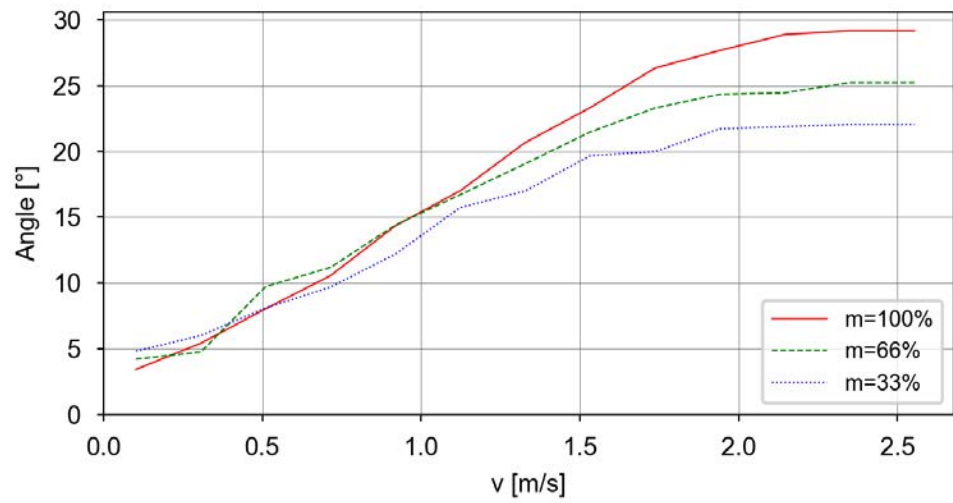
*Continues on next page*

## 2 Technical data for IRB 7720

### 2.10.10 IRB 7720-400/3.50 LID

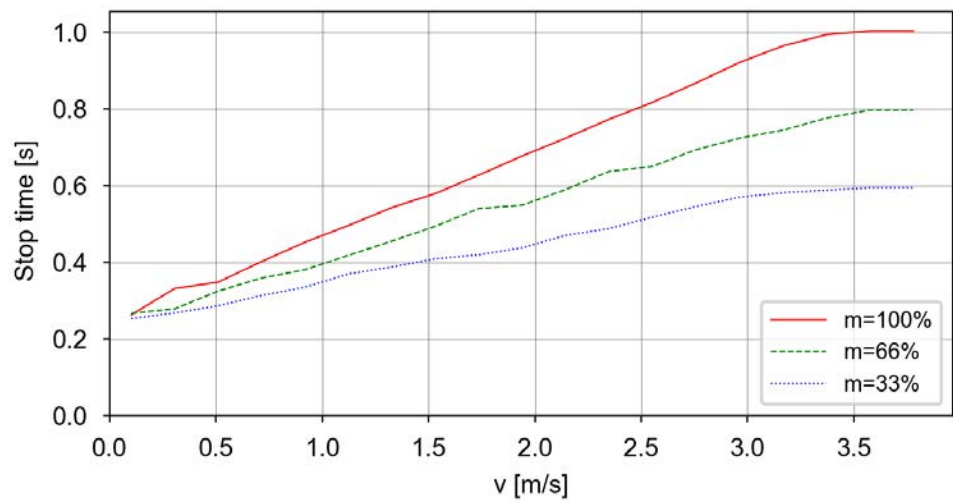
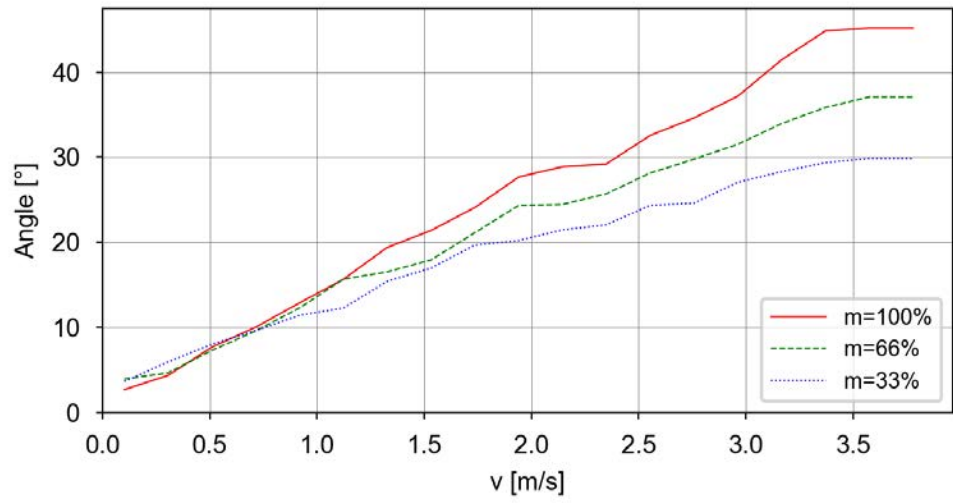
Continued

#### Category 1, Axis 1, Extension zone 0, stopping distance and stopping time



Continues on next page

Category 1, Axis 1, Extension zone 1, stopping distance and stopping time



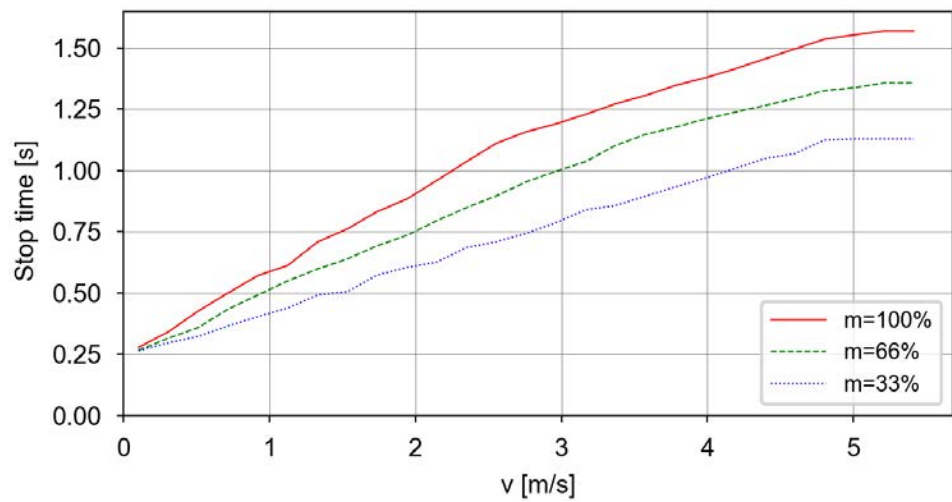
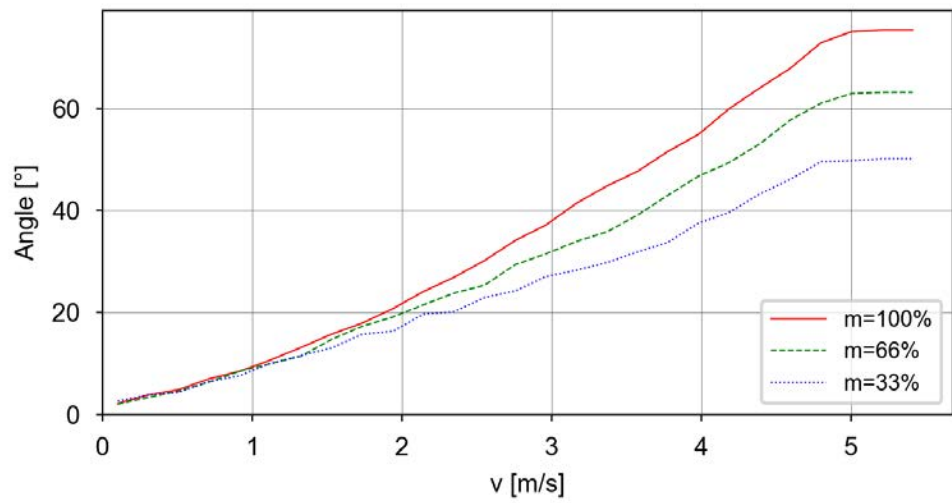
Continues on next page

## 2 Technical data for IRB 7720

### 2.10.10 IRB 7720-400/3.50 LID

Continued

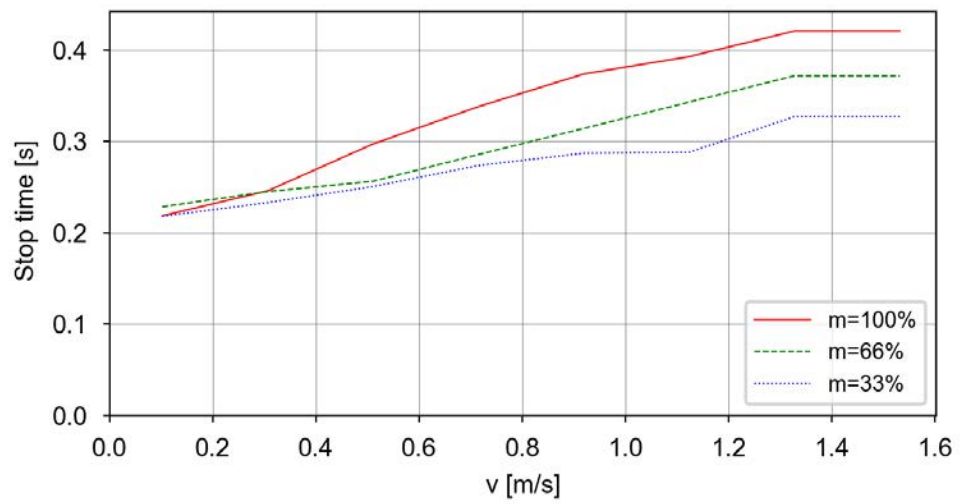
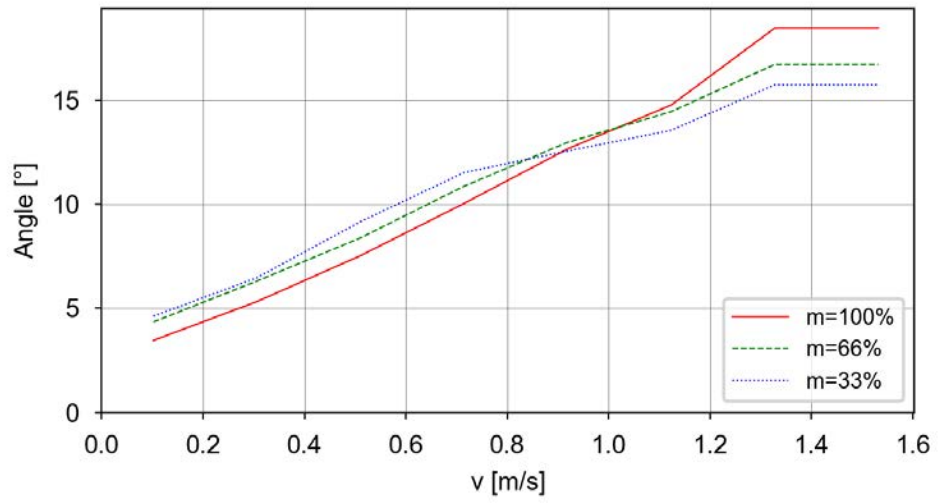
#### Category 1, Axis 1, Extension zone 2, stopping distance and stopping time



Continues on next page



Category 1, Axis 2, Extension zone 0, stopping distance and stopping time



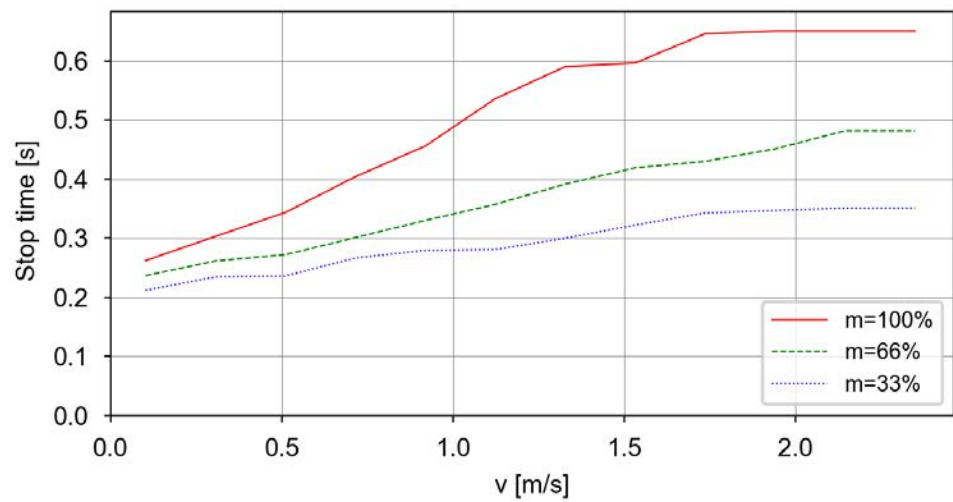
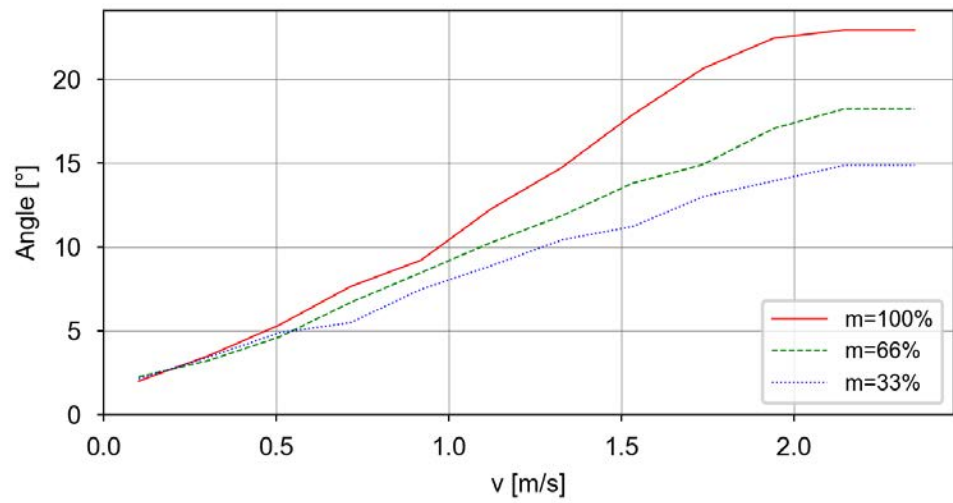
Continues on next page

## 2 Technical data for IRB 7720

### 2.10.10 IRB 7720-400/3.50 LID

Continued

#### Category 1, Axis 3, Extension zone 0, stopping distance and stopping time



## 3 Specification of variants and options

### 3.1 Introduction to variants and options

---

#### General

The different variants and options for the IRB 7720 are described in the following sections. The same option numbers are used here as in the specification form.

The variants and options related to the robot controller are described in the product specification for the controller.

### 3 Specification of variants and options

#### 3.2 Manipulator

#### 3.2 Manipulator

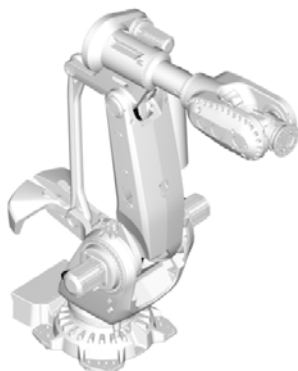
##### Variants

Option number	IRB	Handling capacity (kg)	Reach (m)	Remark
3300-377	7720	620 kg	2.9 m	
3300-378	7720	530 kg	3.1 m	
3300-379	7720	500 kg	3.3 m	
3300-380	7720	450 kg	3.5 m	
3300-381 <sup>i</sup>	7720	560 kg	2.9 m	LID (LeanID)
3300-382 <sup>i</sup>	7720	480 kg	3.1 m	LID (LeanID)
3300-383 <sup>i</sup>	7720	400 kg	3.3 m	LID (LeanID)
3300-384 <sup>i</sup>	7720	400 kg	3.5 m	LID (LeanID)

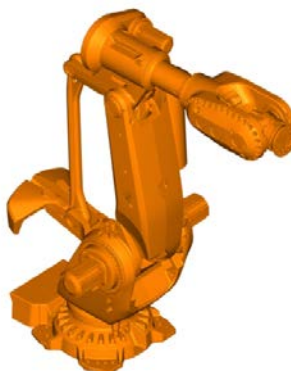
<sup>i</sup> The options 3300-381, 3300-382, 3300-383 and 3300-384 require option DressPack axis 3-6 [3326-x]

##### Color options

For our robots, Graphite White is the standard default color, option 209-202. Colors according to the RAL color system are available.



xx2300001496



xx2300001497

Option	Color	RAL code <sup>i</sup>
209-202	ABB Graphite White std Standard color with protection option 3350-670 Base 67	RAL 7035
209-1	ABB orange standard Standard color with protection option 3352-10 Foundry Plus2 67	NCS 2070-Y60R
209-2	ABB white standard	RAL 9003
209 <sup>ii</sup>	RAL code should be specified (ABB non-standard colors)	

<sup>i</sup> The colors can differ depending on supplier and the material on which the paint is applied.

<sup>ii</sup> Only for robots with protection type *Base 67*.

Continues on next page



**Note**

The colors stated in the table above are valid for manipulators. The accessories and spare parts are normally available in the standard color.

The orange color is recommended for foundry applications or other extra tough environments where there is a risk of color changes over time. This is not affecting the function, only the visual impression.



**Note**

The delivery time for painted spare parts is longer for non-standard colors.

#### Manipulator protection

The manipulator is available with the following protection types.

Option	Description	Note
3350-670	Base 67	IP67
3352-10	Foundry Plus2 67	IP67

#### Base 67

The basic design (IP67) is well prepared for normal or tough environment. This includes electrical design following the IP67 standard, and stainless steel screw used for all add-on parts after painting.

*Continues on next page*

### 3 Specification of variants and options

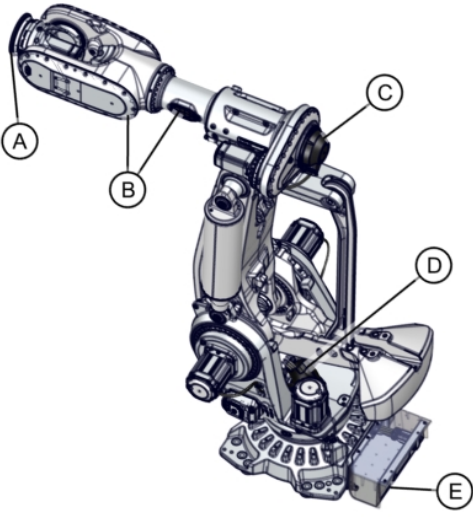
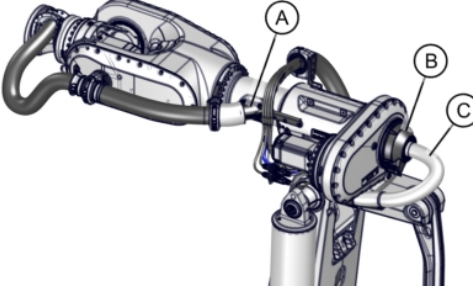
#### 3.2 Manipulator

*Continued*

#### Foundry Plus2 67

For the extra tough environment, for example foundry industries, the option *Foundry Plus2 67* is recommended as protection type. It adds extra cable protection, extra sealings, protection plugs in unused holes, added rust preventive, and special paint/surface treatment, compared to protection type *Base 67*.

The below picture shows additional parts when choosing *Foundry Plus2 67*.

Additional parts for manipulator	Additional parts for DressPack
 <p data-bbox="422 1097 534 1120">xx2400000289</p> <ul style="list-style-type: none"> <li data-bbox="454 1131 901 1187">A Turning disc with Nickel-phosphorus coating</li> <li data-bbox="454 1191 662 1220">B Rubber gasket</li> <li data-bbox="454 1225 678 1254">C Protective cover</li> <li data-bbox="454 1258 678 1288">D Cable protection</li> <li data-bbox="454 1292 821 1321">E Sheet metal in stainless steel</li> </ul>	 <p data-bbox="917 869 1029 891">xx2400000290</p> <ul style="list-style-type: none"> <li data-bbox="949 902 1348 931">A Cable inlet and cable protection</li> <li data-bbox="949 936 1173 965">B Protective cover</li> <li data-bbox="949 969 1173 999">C Cable protection</li> </ul>

#### Requirements

The option *Foundry Plus2* requires option *Upper arm cover* [3316-1].

#### Foundry cable guard

Option	Description
3315-1	Foundry cable guard

The manipulator can be equipped with additional cable guards for extra tough environmental conditions, for example, metals spits or frequent weld spatter. These additional covers will prolong cable lifetime and simplify service/maintenance as the robot is kept more clean under the covers.

The option *Foundry Cable Guard* is recommended for *Foundry Plus2*.

#### Limitations

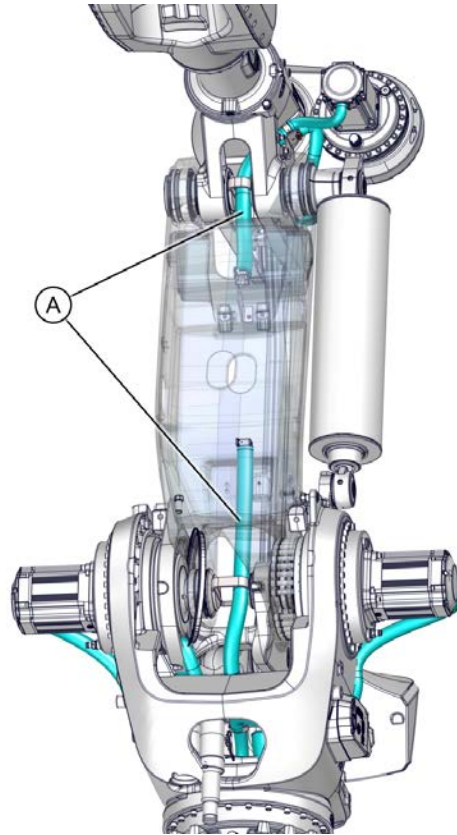
The option *Foundry Cable Guard* is not compatible with *DressPack SW*.

#### Requirements

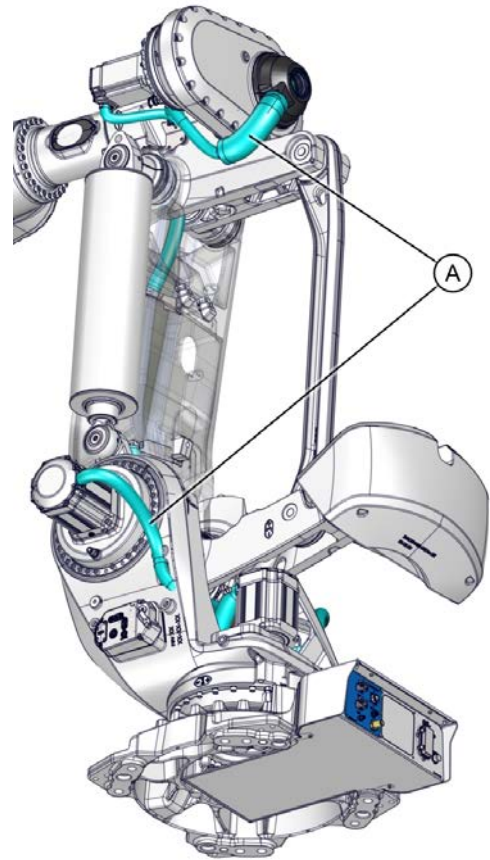
The option *Foundry Cable Guard* requires option *Upper arm cover* [3316-1].

*Continues on next page*

#### Foundry cable guards for manipulator cable harness



xx2400000292



xx2400000293

A	Foundry cable guard for manipulator cable harness
---	---

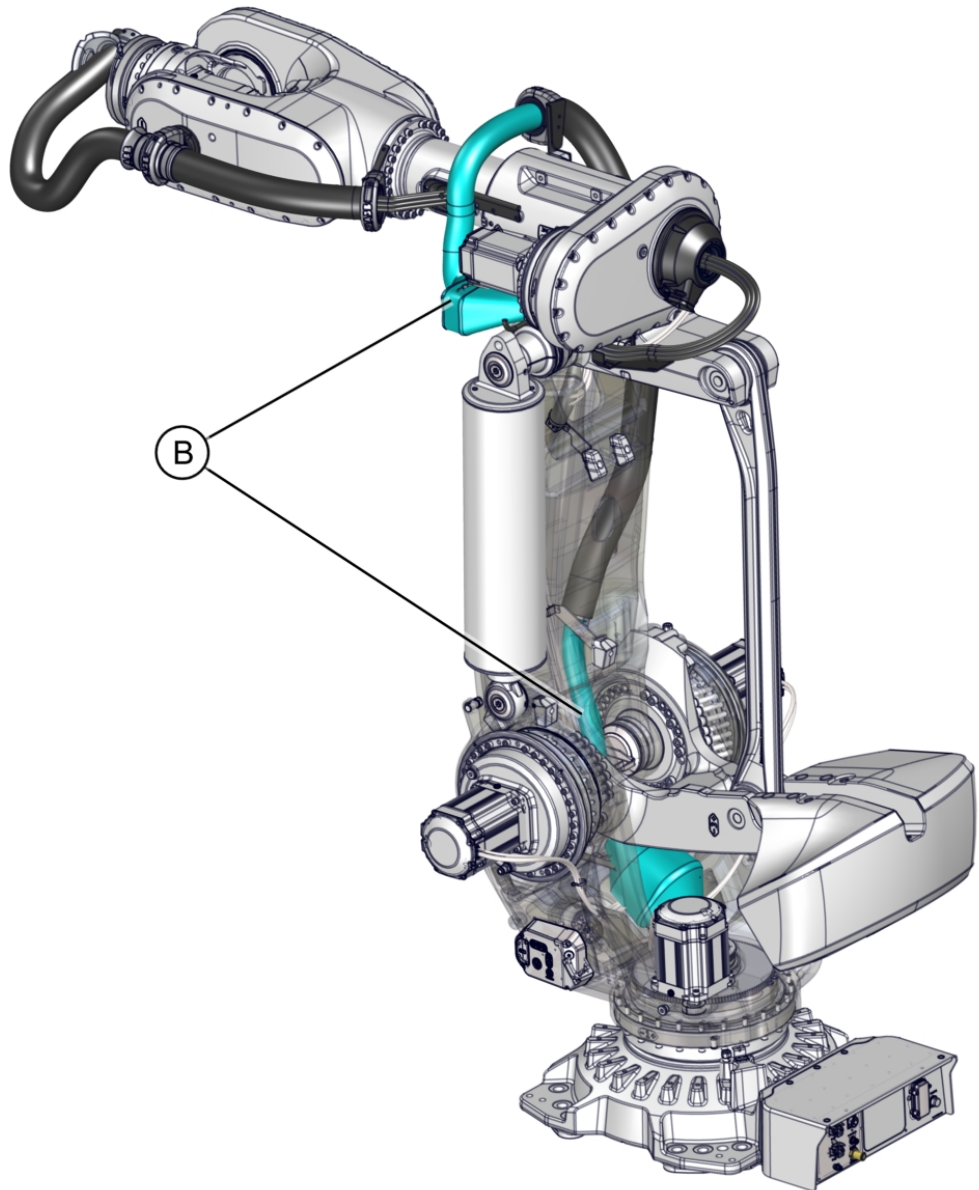
*Continues on next page*

### 3 Specification of variants and options

#### 3.2 Manipulator

*Continued*

Foundry cable guard for DressPack



xx2400000294

B	Foundry cable guard for DressPack
---	-----------------------------------

#### Upper arm cover

Option	Description
3316-1	Upper arm cover

The manipulator can be equipped with additional upper arm covers for environmental conditions, where you want to further seal off the upper arm in wet

*Continues on next page*



or dirty conditions. These additional covers will prolong the lifetime of the cables, and simplify service/maintenance as the robot is kept more clean under the covers.



xx2100002592

#### Requirements

This option is mandatory to order with the option *Foundry Plus2* [3352-10].

This option is mandatory to order with the option *Foundry Cable Guard* [3315-1].

This option is mandatory to order with the option *DressPack axis 3-6* [3326-x].

#### Forklift device

The manipulator can be delivered with forklift devices, allowing a forklift to be used when moving the manipulator.

Option	Description	
3318-1	Forklift device on base Forklift pockets placed on the base gives a low lifting point.	<p>xx2300001244</p>

#### Motor cooling

To be used to avoid overheating of motors and gears in applications with intensive motion (high average speed and/or high average torque and/or short wait time) of the axes on the lower arm.

Option	Description
3320-1	Cooling fan axis 1
3321-1	Cooling fan axis 2
3346-1	Cooling fan axis 3

The cooling fan has protection class IP54. A fan failure stops the robot.

*Continues on next page*

### 3 Specification of variants and options

#### 3.2 Manipulator

*Continued*

To determine the need of cooling fans on the motors, use the add-in **Mechanical Analysis** in RobotStudio. For more information, contact your local ABB office.

#### Limitations

Cannot be combined with track motion.

Cannot be combined with protection type Foundry Plus2 67.

Only two cooling fans can be used simultaneously.

#### Resolver connection 7th axis

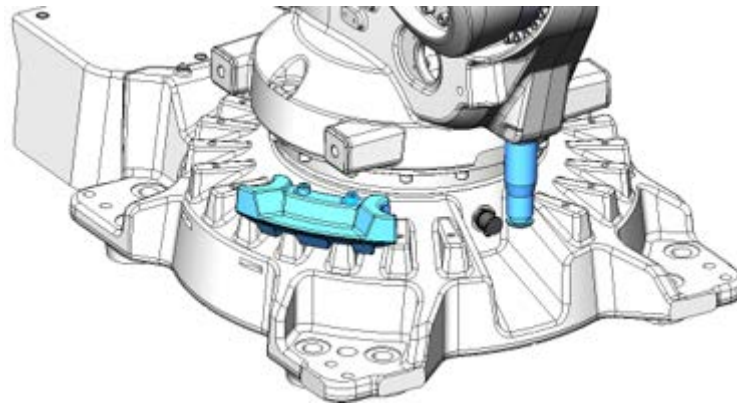
Option	Description
3322-1	On base
3322-2	In servo DressPack Requires options for DressPack base-axis 3.

#### Limited working range

Option	Description
3323-1	Axis 1 adjustable 15°

The manipulator can be equipped with adjustable mechanical stops. This is to mechanically limit the working range on axis 1. The mechanical stops are delivered alongside the robot (not installed). The stops can be placed in steps according to the option.

For detailed information see [Installing movable mechanical stops on axis 1 \(option 3323-1\) on page 58](#).



xx2100002595

#### Extended working range

Option	Description	
3324-1	Axis 1 to $\pm 220^\circ$	The option extends the working range on axis 1 from $\pm 170^\circ$ to $\pm 220^\circ$ .

*Continues on next page*



### CAUTION

The option *Extended work range* enables an extension of the working range for axis 1, through a software configuration. With this option installed, the working range can exceed the range limited by the mechanical stop on axis 1. The working range shall be limited through the option *SafeMove*.

A risk analysis must be done to ensure that no risks remain when using option *Extended work range*, to limit the working range, and before removing the mechanical stops.

For information about the option *SafeMove*, see *Application manual - Functional safety and SafeMove*.

If the mechanical stop is removed, then the manipulator should have a marking for this, for example, a label. If the robot is delivered with the option *Extended work range*, then such a label is included on delivery.

#### Limitations

This option is not compatible with *DressPack SW*.

#### Requirements

This option requires the option *SafeMove* [3043-x].

### 3 Specification of variants and options

#### 3.3 Floor cables

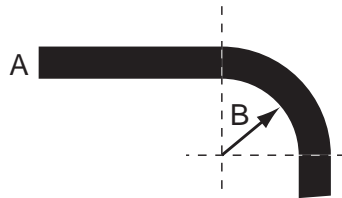
#### 3.3 Floor cables

##### Manipulator cable - Length

Option	Description
3200-2	7 m
3200-3	15 m
3200-4	22 m
3200-5	30 m

##### Bending radius for static floor cables

The minimum bending radius is 10 times the cable diameter for static floor cables.



xx1600002016

A	Diameter
B	Diameter x10

## 3.4 Application

### 3.4.1 Overview of DressPack options

#### General

The DressPack is built in sections with connection interfaces in between. The cables for customer connection are partly integrated in the robot and the connectors are placed at axis 6, axis 3, and at the base. Depending on what signals are required, there are different variants available (Parallel, EtherNet, CC link, EtherCAT) with corresponding connections at axis 6, axis 3, and at the base interface.

Parallel	PROC1 (1/2" Hose for compressed air) & CP/CS Hose (1/2") for compressed air is included in all DressPack variants. There is one inlet at the base (M22x1.5), one outlet at axis 3 (M22x1.5), and a free end at axis 6.
EtherNet	PROC1, CP/CS, EtherNet & FE (functional earth)
CC link	PROC1, CP/CS, EtherNet & FE (functional earth)
EtherCAT	PROC1, CP/CS, EtherNet & FE (functional earth)

#### Requirements

Upper arm DressPack requires lower arm DressPack.

LID manipulator variants can only use LID DressPack.

LID manipulator variants require both lower and upper arm DressPack.

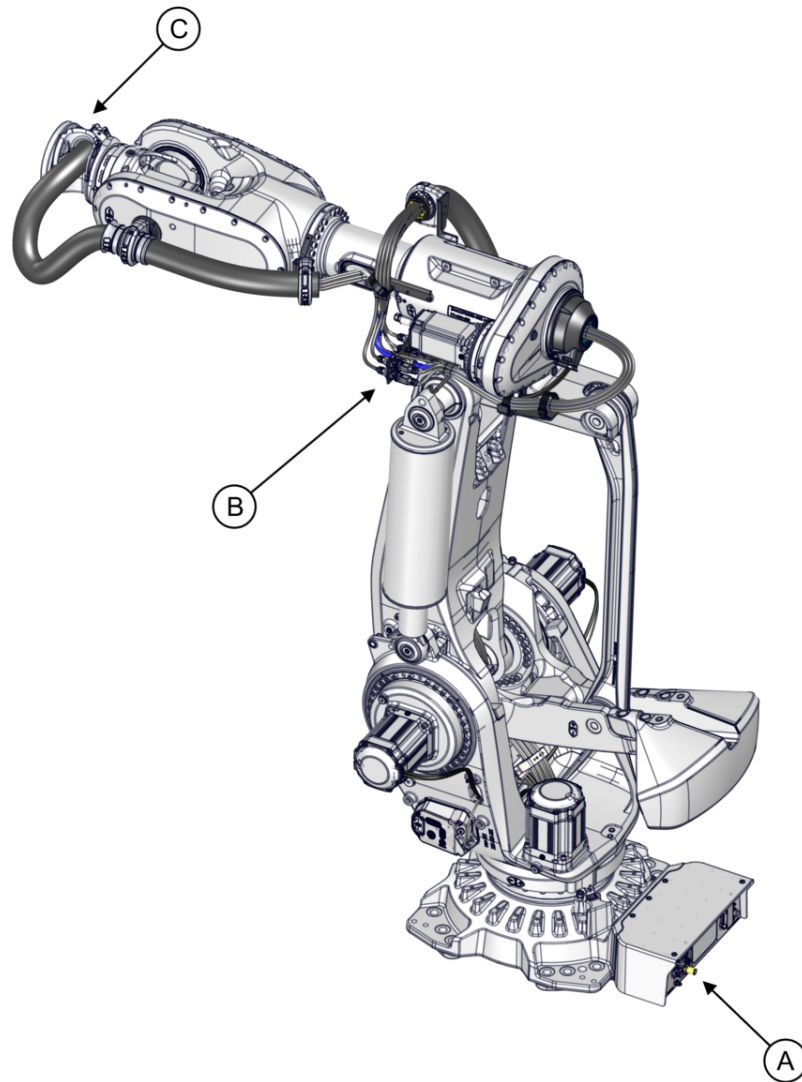
### 3 Specification of variants and options

#### 3.4.2 DressPack for material handling

#### 3.4.2 DressPack for material handling

##### Connection interfaces

Below is an overview showing the DressPack connection points. For detailed information see *Circuit diagram - IRB 7710/IRB 7720*, listed in [References on page 7](#).



xx240000295

A	Base
B	Axis 3
C	Axis 6

*Continues on next page*

### 3 Specification of variants and options

#### 3.4.2 DressPack for material handling

*Continued*

#### Manipulator DressPack MH

Base to axis 3	Axis 3 to axis 6
3325-11	3326-11 MH3 Parallel
	3326-30 MH LID empty conduit
	3326-31 MH LID Parallel
3325-13	3326-13 MH3 EtherNet
	3326-30 MH LID empty conduit
	3326-33 MH LID EtherNet
3325-14	3326-14 MH3 CC-Link
	3326-30 MH LID empty conduit
	3326-34 MH LID CC-Link
3325-15	3326-15 MH3 EtherCat
	3326-30 MH LID empty conduit
	3326-35 MH LID EtherCat

#### DressPack MH base to axis 3

Option	Description	Note	Connectors
3325-11	MH Parallel	Lower arm MH	Customer power (CP), customer signal (CS), and PROC1
3325-13	MH EtherNet	Lower arm MH Includes parallel signals. Supports ProfiNet, EtherNet/IP.	Customer power (CP), customer signal (CS), ETHERNET, PROC1, and functional earth (FE)
3325-14	MH CC-Link	Lower arm MH Includes parallel signals.	Customer power (CP), customer signal (CS), ETHERNET, PROC1, and functional earth (FE)
3325-15	MH EtherCat	Lower arm MH Includes parallel signals.	Customer power (CP), customer signal (CS), ETHERNET, PROC1, and functional earth (FE)

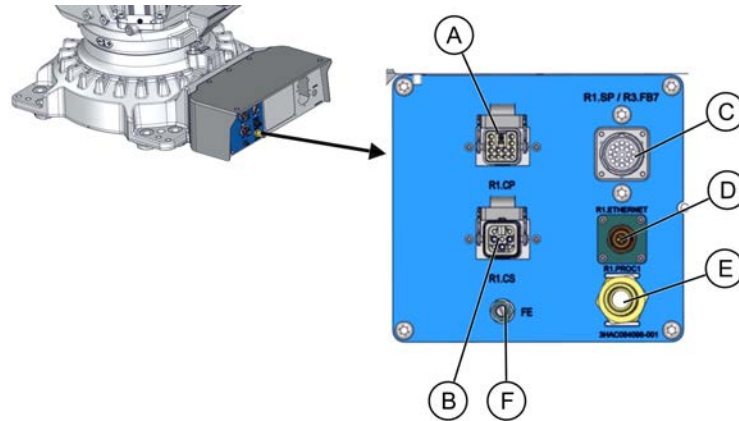
*Continues on next page*

### 3 Specification of variants and options

#### 3.4.2 DressPack for material handling

*Continued*

Connection plate at base for DressPack MH



xx2300000241

A	Customer power (CP)
B	Customer signal (CS)
C	Resolver connection
D	ETHERNET
E	PROC1 (1/2" hose)
F	Functional earth (FE)

For corresponding parts of the tool, see [Connector kits manipulator on page 173](#).

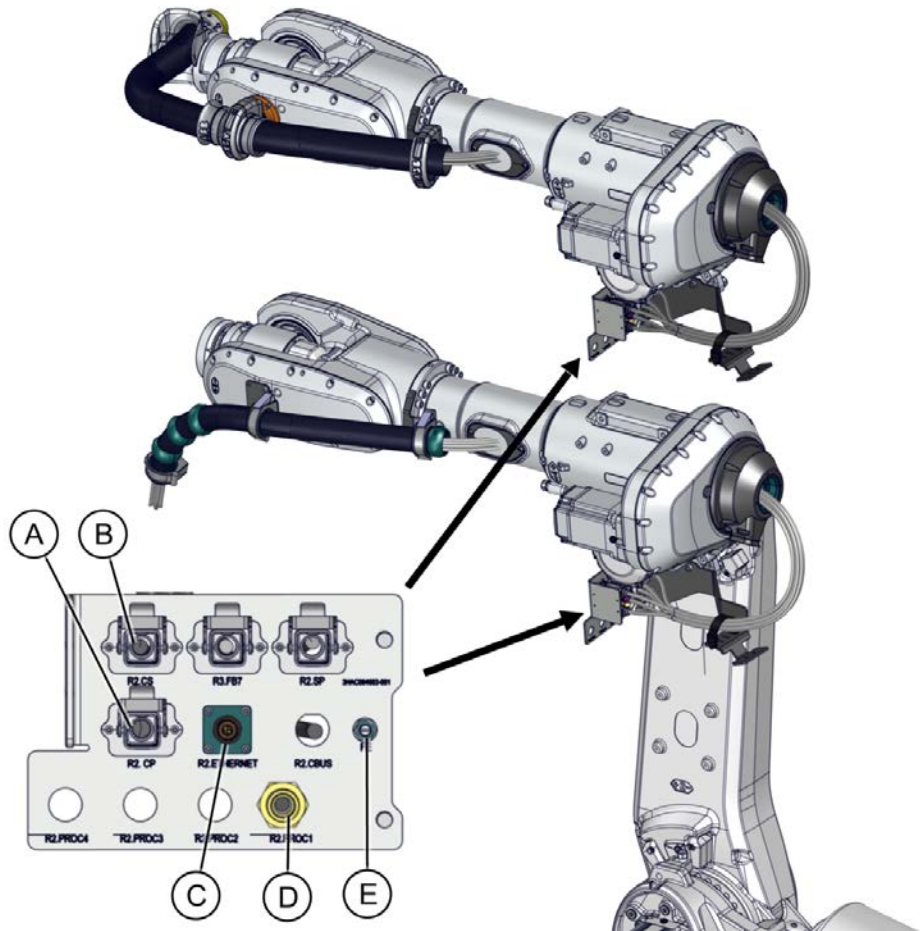
*Continues on next page*



### 3 Specification of variants and options

#### 3.4.2 DressPack for material handling Continued

Connection plate at axis 3 for DressPack MH, MH3 and LeanID MH



xx2300000246

A	Customer power (CP)
B	Customer signal (CS)
C	ETHERNET
D	PROC 1 (1/2" hose)
E	Functional earth (FE)

For corresponding parts of the tool, see [Connector kits manipulator on page 173](#).

#### DressPack axis 3 to axis 6

Option	Description	Note	Connectors
3326-11	MH3 Parallel	Upper arm MH3	Customer power (CP), customer signal (CS), and PROC1
3326-13	MH3 EtherNet	Upper arm MH3 Includes parallel signals. Supports ProfiNet, EtherNet/IP.	Customer power (CP), customer signal (CS), ETHERNET, PROC1, and functional earth (FE)

Continues on next page

### 3 Specification of variants and options

#### 3.4.2 DressPack for material handling

*Continued*

Option	Description	Note	Connectors
3326-14	MH3 CC-Link	Upper arm MH3 Includes parallel signals.	Customer power (CP), customer signal (CS), ETHERNET, PROC1, and functional earth (FE)
3326-15	MH3 EtherCat	Upper arm MH3 Includes parallel signals.	Customer power (CP), customer signal (CS), ETHERNET, PROC1, and functional earth (FE)
3326-30	MH LID Empty Conduit	LeanID	
3326-31	MH LID Parallel	LeanID MH	Customer power (CP), customer signal (CS), and PROC1
3326-33	MH LID EtherNet	LeanID MH Includes parallel signals. Supports ProfiNet, Ether- tIP.	Customer power (CP), customer signal (CS), ETHERNET, PROC1, and functional earth (FE)
3326-34	MH LID CC-Link	LeanID MH Includes parallel signals.	Customer power (CP), customer signal (CS), ETHERNET, PROC1, and functional earth (FE)
3326-35	MH LID EtherCat	LeanID MH Includes parallel signals.	Customer power (CP), customer signal (CS), ETHERNET, PROC1, and functional earth (FE)

End connectors at axis 6 for DressPack MH3 and LeanID MH

MH3: Hose and cable free length, 1,000 mm

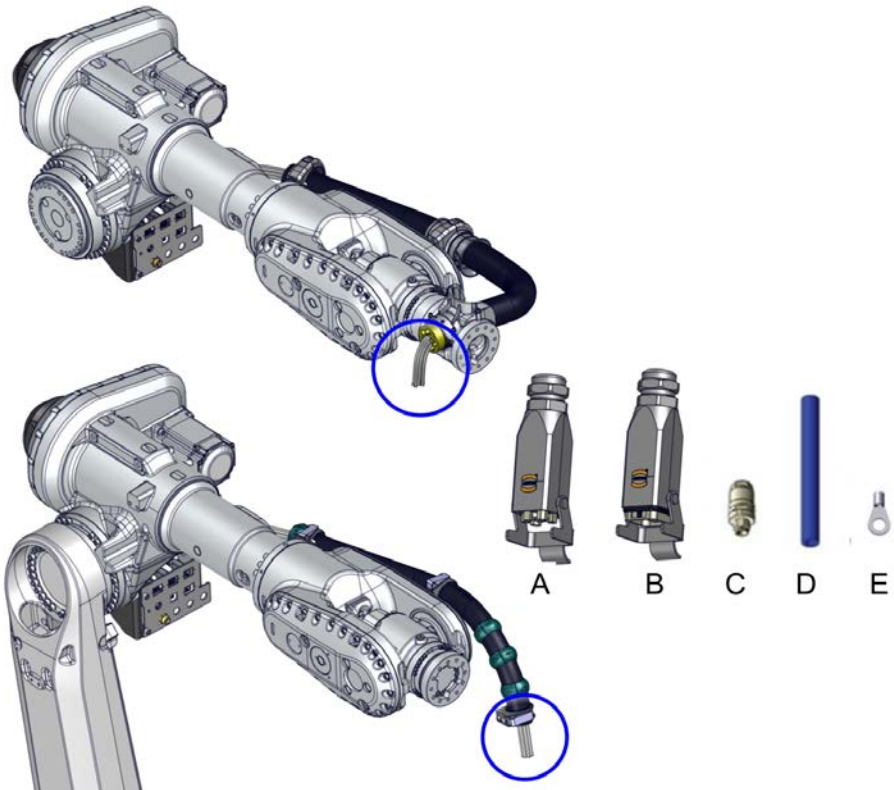
*Continues on next page*

### 3 Specification of variants and options

#### 3.4.2 DressPack for material handling

*Continued*

LID: Hose and cable free length, 1,000 mm



xx230000247

A	Customer power (CP)
B	Customer signal (CS)
C	ETHERNET
D	PROC 1 (1/2" hose)
E	FE (functional earth)

For corresponding parts of the tool, see [Connector kits manipulator on page 173](#).

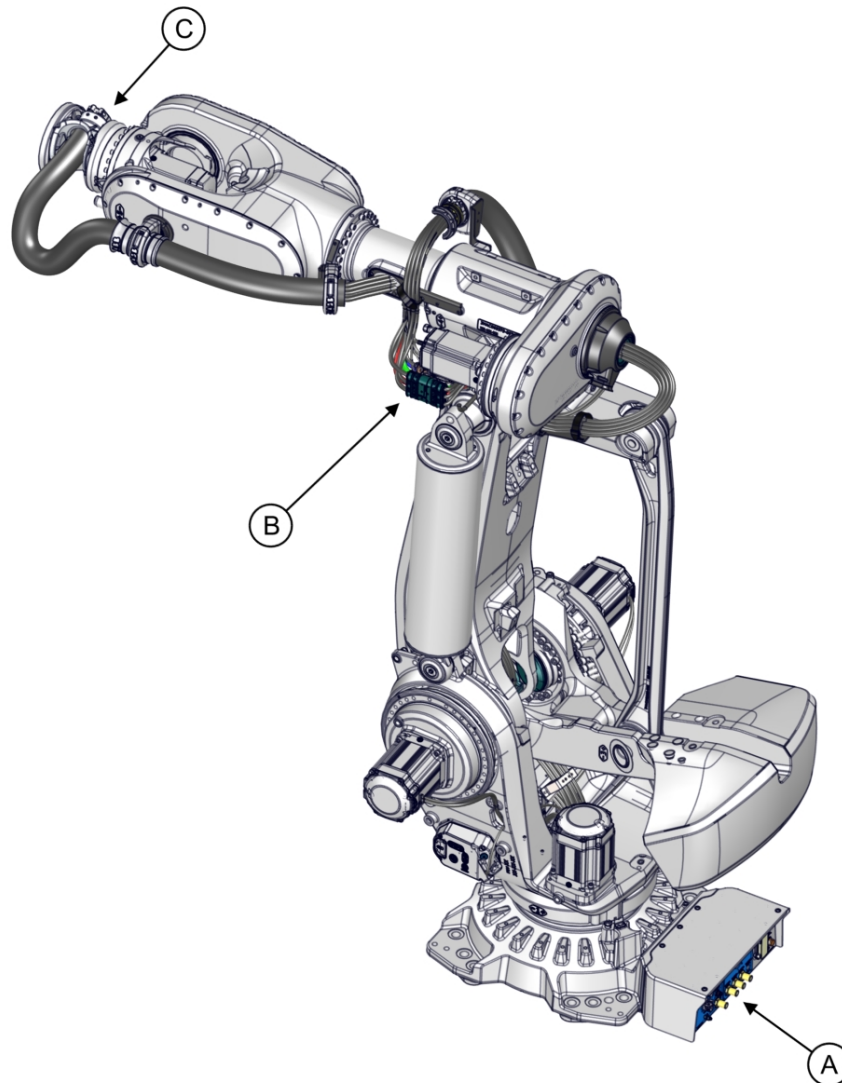
### 3 Specification of variants and options

#### 3.4.3 DressPack for spotwelding

#### 3.4.3 DressPack for spotwelding

##### Connection interfaces

Below is an overview showing the DressPack connection points. For detailed information see *Circuit diagram - IRB 7710/IRB 7720*, listed in [References on page 7](#).



xx2400000296

A	Base
B	Axis 3
C	Axis 6

##### Manipulator DressPack SW

Base to axis 3	Axis 3 to axis 6
3325-61	3326-61 SW LID Parallel-Servo
	3326-50 SW LID Empty Conduit

*Continues on next page*

### 3 Specification of variants and options

#### 3.4.3 DressPack for spotwelding

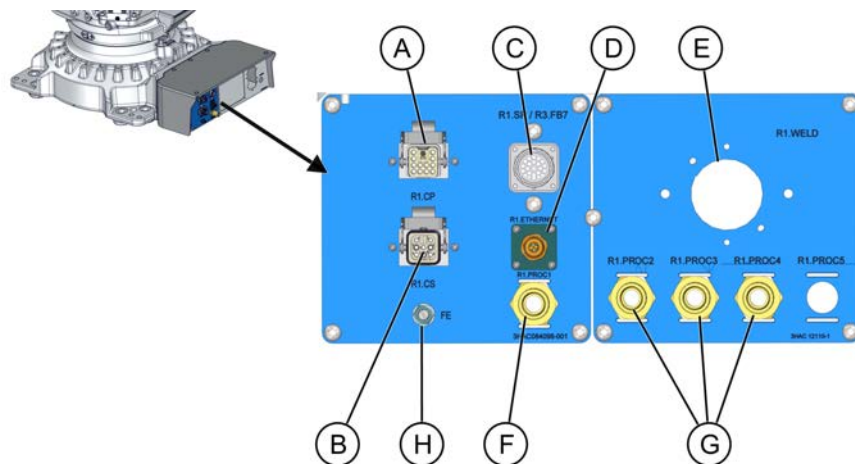
*Continued*

Base to axis 3	Axis 3 to axis 6
3325-63	3326-63 SW LID EtherNet-Servo
	3326-50 SW LID Empty Conduit
3325-64	3326-64 SW LID CC Link-Servo
	3326-50 SW LID Empty Conduit
3325-65	3326-65 SW LID EtherCat-Servo
	3326-50 SW LID Empty Conduit

#### DressPack SW base to axis 3

Option	Description	Note	Connectors
3325-61	SW Parallel-Servo	Lower arm SW	Customer power (CP), customer signal (CS), Servo power (SP), Servo feedback (FB)
3325-63	SW Ethernet-Servo	Lower arm SW Includes parallel signals. Supports ProfiNet, EtherNet/IP	Customer power (CP), customer signal (CS), Servo power (SP), Servo feedback (FB)
3325-64	SW CC Link-Servo	Lower arm SW Includes parallel signals.	Customer power (CP), customer signal (CS), Servo power (SP), Servo feedback (FB)
3325-65	SW EtherCat Link-Servo	Lower arm SW Includes parallel signals.	Customer power (CP), customer signal (CS), Servo power (SP), Servo feedback (FB)

#### Connection plate at base for DressPack SW



xx230000250

A	Customer power (CP)
B	Customer signal (CS)
C	Servo Power (SP)
D	ETHERNET

*Continues on next page*

### 3 Specification of variants and options

---

#### 3.4.3 DressPack for spotwelding

*Continued*

E	WELD3 x 35 mm <sup>2</sup> (spot welding)
F	PROC1 (1/2" hose)
G	PROC2-4 (spot welding 1/2", M22 x 1.5, 24 degree seal)
H	Functional earth (FE)

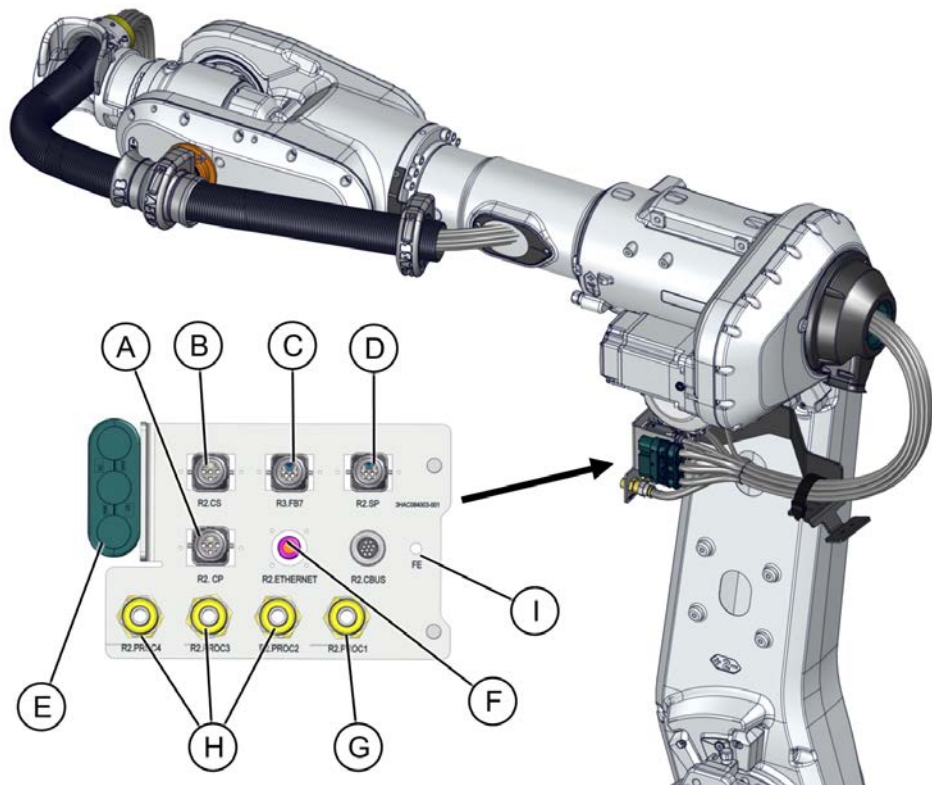
For corresponding parts of the tool, see [Connector kits manipulator on page 173](#).

*Continues on next page*

### 3 Specification of variants and options

#### 3.4.3 DressPack for spotwelding Continued

#### Connection plate at axis 3 for DressPack SW and LeanID SW



xx2300000251

A	Customer power (CP)
B	Customer signal (CS)
C	Servo feedback (FB)
D	Servo power (SP)
E	ETHERNET
F	WELD3 x 25 mm <sup>2</sup> (spot welding)
G	PROC1 (1/2" hose)
H	PROC2-4 (spot welding 1/2", M22 x 1.5, 24 degree seal)
I	Functional earth (FE)

For corresponding parts of the tool, see [Connector kits manipulator on page 173](#).

#### DressPack axis 3 to axis 6

Option	Description	Note	Connectors
3326-50	SW LID Empty Conduit	Upper arm SW LID	
3326-61	SW LID Parallel-Servo	Upper arm SW LID	Customer power (CP), customer signal (CS)

Continues on next page

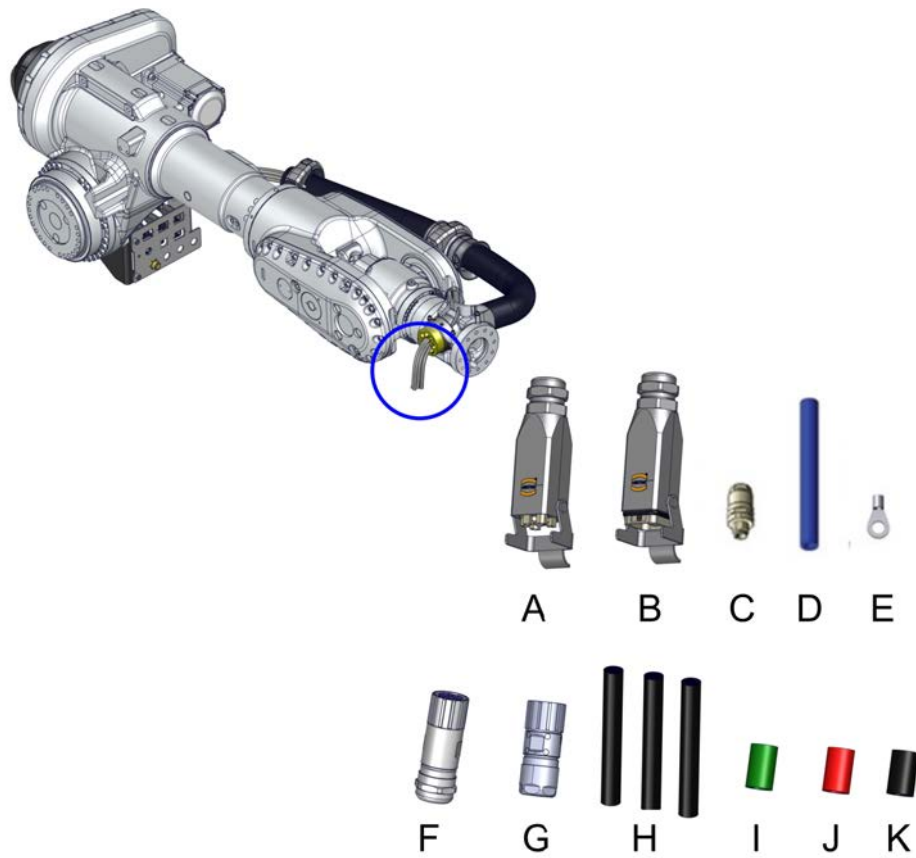
### 3 Specification of variants and options

#### 3.4.3 DressPack for spotwelding

Continued

Option	Description	Note	Connectors
3326-63	SW LID EtherNet-Servo	Upper arm SW LID Includes parallel signals. Supports ProfiNet, EtherNet/IP	Customer power (CP), customer signal (CS)
3326-64	SW LID CC Link-Servo	Upper arm SW LID Includes parallel signals.	Customer power (CP), customer signal (CS)
3326-65	SW LID EtherCat-Servo	Upper arm SW LID Includes parallel signals.	Customer power (CP), customer signal (CS)

End connectors at axis 6 for DressPack LeanID SW



xx2400001297

A	Customer power (CP)
B	Customer signal (CS)
C	ETHERNET
D	PROC 1 (1/2" hose)
E	FE (functional earth)
F	Servo power (SP)
G	Servo feedback (FB)
H	Weld x 3
I	PROC 2 (1/2" hose)

Continues on next page



### 3 Specification of variants and options

---

#### 3.4.3 DressPack for spotwelding

*Continued*

J	PROC 3 (1/2" hose)
K	PROC 4 (1/2" hose)

For corresponding parts of the tool, see [Connector kits manipulator on page 173](#).

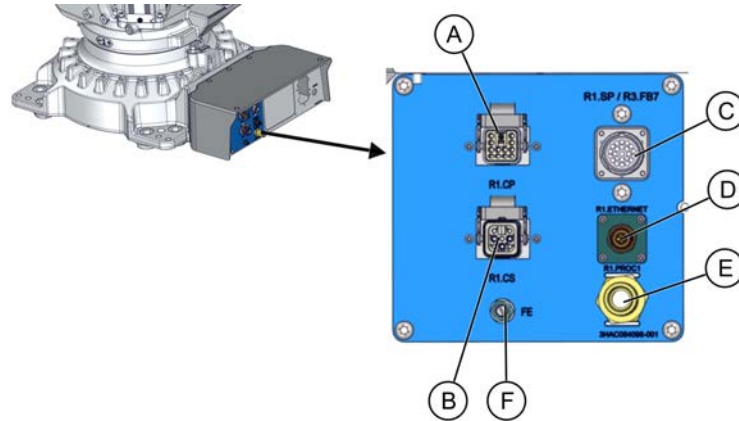
### 3 Specification of variants and options

#### 3.4.4 Configuration result of DressPack options

#### 3.4.4 Configuration result of DressPack options

##### DressPack options for material handling (MH)

The DressPack contents will differ depending on selected options. See table for signal content below.



xx2300000241

A	Customer power (CP)
B	Customer signal (CS)
C	Resolver connection
D	ETHERNET
E	PROC1 (1/2" hose)
F	Functional earth (FE)

	Type	At terminals in cabinet	At connection point; base, axis 3, or axis 6	Cable/part area	Allowed capacity
A	<b>Customer Power (CP)</b>				
	Utility power	3	3	1.5 mm <sup>2</sup>	250 V AC, 10 A rms
	Protective earth	1	1	1.5 mm <sup>2</sup>	250 V AC
	Utility power	4	4	0.5 mm <sup>2</sup>	50 V DC, 1 A rms
B	<b>Customer Signal (CS)</b>				
	Signals shielded		8 (4x2)	0.24 mm <sup>2</sup>	30 V AC, 42 V DC, 1 A rms
D	<b>Customer bus (Ethernet)</b>				
	Bus signals	4	4	0.4 mm <sup>2</sup>	Ethernet CAT 5e, 100 Mbit <sup>i</sup>
E	<b>Media</b>				
	Air (PROC 1)		1	12.5 mm inner diameter	Max. air pressure 16 bar/230 PSI
F	<b>Functional Earth<sup>ii</sup></b>		1	10 mm <sup>2</sup>	600 V AC RMS

<sup>i</sup> Ethernet with wire colors according to PROFINET standard, M12-connectors.

<sup>ii</sup> When EtherNet is selected.

Continues on next page

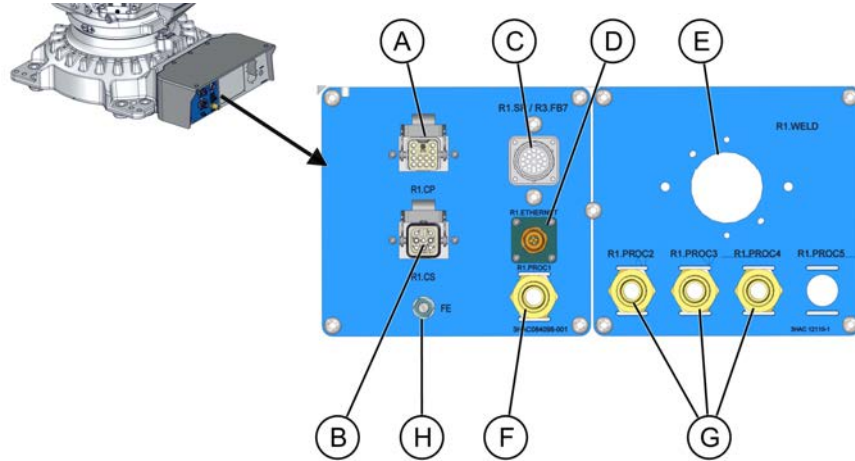
### 3 Specification of variants and options

#### 3.4.4 Configuration result of DressPack options

*Continued*

#### DressPack options for spotwelding (SW)

The DressPack contents will differ depending on selected options. See table for signal content below.



xx2300000250

A	Customer power (CP)
B	Customer signal (CS)
C	Servo Power (SP)
D	ETHERNET
E	WELD3 x 35 mm <sup>2</sup> (spot welding)
F	PROC1 (1/2" hose)
G	PROC2-4 (spot welding 1/2", M22 x 1.5, 24 degree seal)
H	Functional earth (FE)

	Type	At terminals in cabinet	At connection point; base, axis 3, or axis 6	Cable/part area	Allowed capacity
A	<b>Customer Power (CP)</b>				
	Utility power	3	3	1.5 mm <sup>2</sup>	250 V AC, 10 A rms
	Protective earth	1	1	1.5 mm <sup>2</sup>	250 V AC
	Utility power	4	4	0.5 mm <sup>2</sup>	50 V DC, 1 A rms
B	<b>Customer Signal (CS)</b>				
	Signals shielded		8 (4x2)	0.24 mm <sup>2</sup>	30 V AC, 42 V DC, 1 A rms
C	<b>Servo motor signals (SP)</b>				
	Servo motor power	At drive	3	1.5 mm <sup>2</sup>	600 VAC, 12 A rms
	Protective earth	At drive	1	1.5 mm <sup>2</sup>	600 VAC
	Signals twisted pair for resolver		6	0.23 mm <sup>2</sup>	50 V DC, 1 A rms
	Brake		2	0.5 mm <sup>2</sup>	50 V DC, 1 A rms
	Temperature control/PTC		2	0.5 mm <sup>2</sup>	50 V DC, 1 A rms

*Continues on next page*

### 3 Specification of variants and options

#### 3.4.4 Configuration result of DressPack options

Continued

	Type	At terminals in cabinet	At connection point; base, axis 3, or axis 6	Cable/part area	Allowed capacity
D	<b>Customer bus (Ethernet)</b>				
	Bus signals	4	4	0.4 mm <sup>2</sup>	Ethernet CAT 5e, 100 Mbit <sup>i</sup>
E	<b>Welding power (WELD3 x 35 mm<sup>2</sup>)</b>				
	Lower and upper arm		2	35 mm <sup>2</sup> ii	600 VAC, 150 A rms at 20°C (68°F)
	Protective earth (lower and upper arm)		1		
F	<b>Media</b>				
	Air (PROC 1)		1	12.5 mm inner diameter	Max. air pressure 16 bar/230 PSI
G	<b>Media</b>				
	(PROC2-4)		3	12.5 mm inner diameter M22 x 1.5, 24 degree seal	Max. air pressure 16 bar/230 PSI
H	<b>Functional Earth</b> iii		1	10 mm <sup>2</sup>	600 V AC RMS

i Ethernet with wire colors according to PROFINET standard, M12-connectors.

ii For LeanID upper arm 25 mm<sup>2</sup>, 135 A rms

iii When EtherNet is selected.

#### Empty conduit options

The dimension and requirements for empty cable conduit options are described in the product manual for the DressPack, see [References on page 7](#).

### 3.4.5 Connector kits manipulator

#### 3.4.5.1 Base - Connector kits

##### Available options

Option	Name	DressPack options	
		3325-11/13	3325-61/63
3330-2	CP/CS, Proc 1 base	X	X
3331-1	Weld Proc 2-4 base		X
3332-1	FB7 on base	X	



##### Note

Servo power connector kits are not available.

##### Option 3330-2, CP/CS, Proc 1 on base

This option offers a kit with connectors. This must be assembled by the customer. The kit contains the following components.



xx2400000941

##### CP

Amount	Description	Size, material, etc.	Brand
1	Hood pegs, Han 3A		Harting
1	Insert, female, 12p		Harting
8	Crimp contact female	For 0.5 mm <sup>2</sup>	
8	Crimp contact female	For 1.0 mm <sup>2</sup>	
8	Crimp contact female	For 1.5 mm <sup>2</sup>	

*Continues on next page*

### 3 Specification of variants and options

#### 3.4.5.1 Base - Connector kits

Continued

Amount	Description	Size, material, etc.	Brand
8	Crimp contact female	For 2.5 mm <sup>2</sup>	
2	Coding pin, Han		Harting
1	Screw M3 with seal		Harting

CS

Amount	Description	Size, material, etc.	Brand
1	Hood pegs, Han 3A		Harting
1	Insert, female, 8p		Harting
8	Crimp contact female	For 0.14–0.37 mm <sup>2</sup>	
1	Screw M3 with seal		Harting

Media

Amount	Description	Size, material, etc.	Brand
1	Hose coupling	1/2", M22 x 1.5 Brass	

Ethernet

Amount	Description	Size, material, etc.	Brand
1	M12 Connector, Male, D-code	For 0.14–0.34 mm <sup>2</sup>	

#### Option 3331-1, Weld Proc 2-4 base

This option offers a kit with connectors. This must be assembled by the customer. The kit contains the following components.



xx2400000942

WELD

Amount	Description	Size, material, etc.	Brand
1	Welding connector socket	TSB150/L-UR	Stäubli

Continues on next page

### 3 Specification of variants and options

#### 3.4.5.1 Base - Connector kits

*Continued*

Amount	Description	Size, material, etc.	Brand
3	Socket	For 35 mm <sup>2</sup>	
1	Form shroud welding conn.	202K174-3/42-0, for cable diameter 15.7-35 mm	Raychem

#### Media

Amount	Description	Size, material, etc.	Brand
4	Hose coupling	1/2", M22 x 1.5 Brass	

#### Option 3332-1, FB7 on base

This option offers a kit with connectors. This must be assembled by the customer. The kit contains the following components.



xx2400000943

#### FB

Amount	Description	Size, material, etc.	Brand
1	Connector, 8p, Male	UTOW	
15	Pin	For 0.13–0.26 mm <sup>2</sup>	
1	Shrink boot adapter		
1	Bottle shaped shrink boot		

### 3 Specification of variants and options

#### 3.4.5.2 Axis 3 - Connector kits

#### 3.4.5.2 Axis 3 - Connector kits

##### Available options

Option	Name	DressPack options	
		3326-11/13	3326-61/63
3333-2	CP/CS bus, Proc 1 axis 3	X	X
3333-3	CP/CS Proc1, Servo & FB		X

##### Option 3333-2, CP/CS/CBus, Proc 1 axis 3

This option offers a kit with connectors. This must be assembled by the customer. The kit contains the following components.



xx2400000944

##### CP

Amount	Description	Size, material, etc.	Brand
1	Hood pegs, Han 3A		Harting
1	Insert, male, 12p		Harting
8	Crimp contact male	For 0.5 mm <sup>2</sup>	
8	Crimp contact male	For 1.0 mm <sup>2</sup>	
8	Crimp contact male	For 1.5 mm <sup>2</sup>	
8	Crimp contact male	For 2.5 mm <sup>2</sup>	
2	Coding pin, Han		Harting
1	Screw M3 with seal		Harting

##### CS

Amount	Description	Size, material, etc.	Brand
1	Hood pegs, Han 3A		Harting

Continues on next page



### 3 Specification of variants and options

#### 3.4.5.2 Axis 3 - Connector kits

*Continued*

Amount	Description	Size, material, etc.	Brand
1	Insert, male, 8p		Harting
8	Crimp contact male	For 0.14–0.37 mm <sup>2</sup>	
1	Screw M3 with seal		Harting

#### Media

Amount	Description	Size, material, etc.	Brand
1	Hose coupling Parker Push lock	1/2", M22 x 1.5 Brass	

#### Ethernet

Amount	Description	Size, material, etc.	Brand
1	M12 Connector, Male, D-code	For 0.14–0.34 mm <sup>2</sup>	

#### Option 3333-3, CP/CS Proc1, Servo & FB

This option offers a kit with connectors. This must be assembled by the customer. The kit contains the following components.



xx2400000945

#### CP

Amount	Description	Size, material, etc.	Brand
1	Hood pegs, Han 3A		Harting
1	Insert, male, 12p		Harting
8	Crimp contact male	For 0.5 mm <sup>2</sup>	
8	Crimp contact male	For 1.0 mm <sup>2</sup>	
8	Crimp contact male	For 1.5 mm <sup>2</sup>	
8	Crimp contact male	For 2.5 mm <sup>2</sup>	

*Continues on next page*

### 3 Specification of variants and options

#### 3.4.5.2 Axis 3 - Connector kits

Continued

Amount	Description	Size, material, etc.	Brand
2	Coding pin, Han		Harting
1	Screw M3 with seal		Harting

CS

Amount	Description	Size, material, etc.	Brand
1	Hood pegs, Han 3A		Harting
1	Insert, male, 8p		Harting
8	Crimp contact male	For 0.14–0.37 mm <sup>2</sup>	
1	Screw M3 with seal		Harting

Media

Amount	Description	Size, material, etc.	Brand
1	Hose coupling Parker Push lock	1/2", M22 x 1.5 Brass	

Ethernet

Amount	Description	Size, material, etc.	Brand
1	M12 Connector, Male, D-code	For 0.14–0.34 mm <sup>2</sup>	

SP

Amount	Description	Size, material, etc.	Brand
1	Hood pegs, Han 3A		Harting
1	Insert, male, 12p		Harting
8	Crimp contact male	For 0.5 mm <sup>2</sup>	
8	Crimp contact male	For 1.0 mm <sup>2</sup>	
8	Crimp contact male	For 1.5 mm <sup>2</sup>	
8	Crimp contact male	For 2.5 mm <sup>2</sup>	
2	Coding pin, Han		Harting
1	Screw M3 with seal		Harting

FB

Amount	Description	Size, material, etc.	Brand
1	Hood pegs, Han 3A		Harting
1	Insert, male, 8p		Harting
8	Crimp contact male	For 0.14–0.37 mm <sup>2</sup>	
1	Screw M3 with seal		Harting
1	Coding pin, Han D, female		Harting

#### 3.4.5.3 Axis 6 - Connector kits

##### Available options

Option	Name	DressPack options	
		3326-11/13	3326-61/63
3334-2	CP/CS bus axis 6	X	X
3334-3	CP/CS Proc1, Servo & FB		X
3335-1	Weld Proc 2-4 axis6		X

##### Option 3334-2, CP/CS/CBus, Proc 1 axis 6

This option offers a kit with connectors. This must be assembled by the customer. The kit contains the following components.



xx240000946

##### CP

Amount	Description	Size, material, etc.	Brand
1	Hood pegs, Han 3A		Harting
1	Insert, male, 12p		Harting
8	Crimp contact male	For 0.5 mm <sup>2</sup>	
8	Crimp contact male	For 1.0 mm <sup>2</sup>	
8	Crimp contact male	For 1.5 mm <sup>2</sup>	
8	Crimp contact male	For 2.5 mm <sup>2</sup>	
2	Coding pin, Han		Harting
1	Screw M3 with seal		Harting

*Continues on next page*

### 3 Specification of variants and options

#### 3.4.5.3 Axis 6 - Connector kits

Continued

CS

Amount	Description	Size, material, etc.	Brand
1	Hood pegs, Han 3A		Harting
1	Insert, male, 8p		Harting
8	Crimp contact male	For 0.14–0.37 mm <sup>2</sup>	
1	Screw M3 with seal		Harting

Media

Amount	Description	Size, material, etc.	Brand
1	Hose coupling Parker Push lock	1/2", M22 x 1.5 Brass	

Ethernet

Amount	Description	Size, material, etc.	Brand
1	M12 Connector, Female, D-code	For cable diameter 5.7–8.8 mm <sup>2</sup>	Harting
4	Socket		

#### Option 3334-3, CP/CS Proc 1, Servo & FB

This option offers a kit with connectors. This must be assembled by the customer. The kit contains the following components.



xx2400000947

CP

Amount	Description	Size, material, etc.	Brand
1	Hood pegs, Han 3A		Harting
1	Insert, male, 12p		Harting
8	Crimp contact male	For 0.5 mm <sup>2</sup>	

Continues on next page

### 3 Specification of variants and options

#### 3.4.5.3 Axis 6 - Connector kits

*Continued*

Amount	Description	Size, material, etc.	Brand
8	Crimp contact male	For 1.0 mm <sup>2</sup>	
8	Crimp contact male	For 1.5 mm <sup>2</sup>	
8	Crimp contact male	For 2.5 mm <sup>2</sup>	
2	Coding pin, Han		Harting
1	Screw M3 with seal		Harting

#### CS

Amount	Description	Size, material, etc.	Brand
1	Hood pegs, Han 3A		Harting
1	Insert, male, 8p		Harting
8	Crimp contact male	For 0.14–0.37 mm <sup>2</sup>	
1	Screw M3 with seal		Harting

#### Media

Amount	Description	Size, material, etc.	Brand
1	Hose coupling Parker Push lock	1/2", M22 x 1.5 Brass	

#### Ethernet

Amount	Description	Size, material, etc.	Brand
1	M12 Connector, Female, D-code	For cable diameter 5.7–8.8 mm <sup>2</sup>	Harting
4	Socket	For 0.13–0.33 mm <sup>2</sup>	

#### SP

Amount	Description	Size, material, etc.	Brand
1	M23 Hybrid Panel Connector, 8p, Male	For cable diameter 7.0–12.0 mm <sup>2</sup>	Hummel
4	Crimp pin 1 mm, AWG 24-17	For 0.25–1.0 mm <sup>2</sup>	
4	Crimp pin 2 mm, AWG 18-24	For 0.75–2.5 mm <sup>2</sup>	
4	Crimp pin 2 mm, AWG 14-12	For 2.5–4.0 mm <sup>2</sup>	

#### FB

Amount	Description	Size, material, etc.	Brand
1	M23 Signal Panel Connector, 12p, Male	For cable diameter 7.0–12.0 mm <sup>2</sup>	Hummel
12	Pin AWG 28-20	For 0.08–0.56 mm <sup>2</sup>	
12	Pin AWG 26-17	For 0.14–1.0 mm <sup>2</sup>	
12	Pin AWG 18-16	For 0.75–1.5 mm <sup>2</sup>	

*Continues on next page*

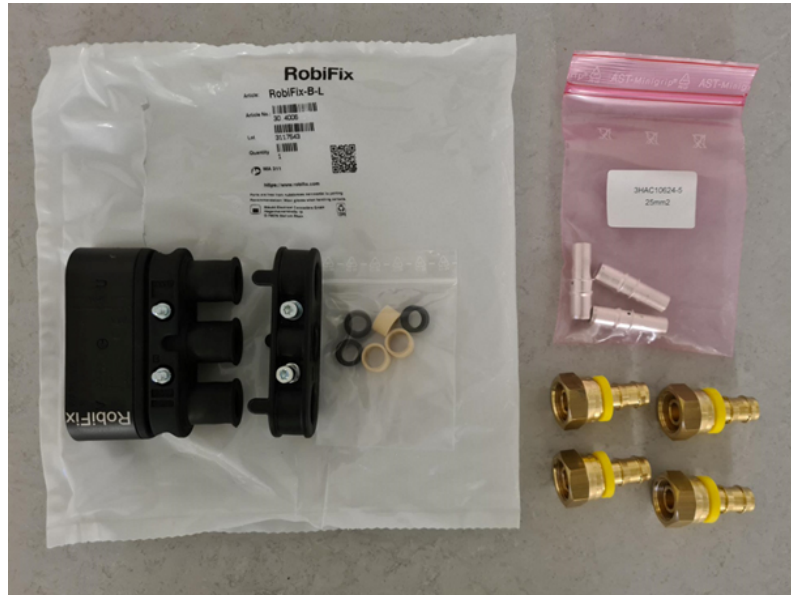
### 3 Specification of variants and options

#### 3.4.5.3 Axis 6 - Connector kits

Continued

##### Option 3335-1, Weld Proc 2-4 axis6

This option offers a kit with connectors. This must be assembled by the customer. The kit contains the following components.



xx2400000948

#### WELD

Amount	Description	Size, material, etc.	Brand
1	Welding connector	RobiFix-B-L	Stäubli
3	Socket	For 25 mm <sup>2</sup>	Stäubli

#### Media

Amount	Description	Size, material, etc.	Brand
4	Hose coupling Parker Push lock	1/2", M22 x 1.5 Brass	

#### 3.4.6 Application floor cables

##### Parallel cable - Length

Option	Description	Note
3201-2	7 m	
3201-3	15 m	
3201-4	22 m	For robots 57x0 and larger.
3201-5	30 m	

##### Ethernet cable - Length



##### Note

Occupies 1 Ethernet port.

Option	Description	Note
3202-2	7 m	Includes Parallel cable
3202-3	15 m	Includes Parallel cable
3202-4	22 m	For robots 57x0 and larger.
3202-5	30 m	Includes Parallel cable

##### CC-Link cable - Length

Option	Description	Note
3205-2	7 m	Includes Parallel cable
3205-3	15 m	Includes Parallel cable
3205-4	22 m	For robots 57x0 and larger.
3205-5	30 m	Includes Parallel cable

##### Servo cable 1 axis - Length

Option	Description	Note
3206-2	7 m	
3206-3	15 m	
3206-4	22 m	For robots 57x0 and larger.
3206-5	30 m	

##### EtherCat cable - Length



##### Note

Occupies 1 Ethernet port.

Option	Description	Note
3210-2	7 m	Includes Parallel cable

*Continues on next page*

### 3 Specification of variants and options

---

#### 3.4.6 Application floor cables

*Continued*

Option	Description	Note
3210-3	15 m	Includes Parallel cable
3210-4	22 m	For robots 57x0 and larger.
3210-5	30 m	Includes Parallel cable

---

#### MCB Servo cable 1 axis

Option	Description	Note
3212-2	7 m	

#### Requirements

This option requires options DressPack base-axis 3 and Motor Connection Kit [3069-x].



3.5 Warranty

Warranty

For the selected period of time, ABB will provide spare parts and labor to repair or replace the non-conforming portion of the equipment without additional charges. During that period, it is required to have a yearly *Preventative Maintenance* according to ABB manuals to be performed by ABB. If due to customer restrains no data can be analyzed with ABB Connected Services for robots with OmniCore controllers, and ABB has to travel to site, travel expenses are not covered. The *Extended Warranty* period always starts on the day of warranty expiration. Warranty Conditions apply as defined in the *Terms & Conditions*.



Note

This description above is not applicable for option *Stock warranty* [438-8]

Option	Type	Description
438-1	Standard warranty	Standard warranty is 12 months from <i>Customer Delivery Date</i> or latest 18 months after <i>Factory Shipment Date</i> , whichever occurs first. Warranty terms and conditions apply.
438-2	Standard warranty + 12 months	Standard warranty extended with 12 months from end date of the standard warranty. Warranty terms and conditions apply. Contact Customer Service in case of other requirements.
438-4	Standard warranty + 18 months	Standard warranty extended with 18 months from end date of the standard warranty. Warranty terms and conditions apply. Contact Customer Service in case of other requirements.
438-5	Standard warranty + 24 months	Standard warranty extended with 24 months from end date of the standard warranty. Warranty terms and conditions apply. Contact Customer Service in case of other requirements.
438-6	Standard warranty + 6 months	Standard warranty extended with 6 months from end date of the standard warranty. Warranty terms and conditions apply.
438-7	Standard warranty + 30 months	Standard warranty extended with 30 months from end date of the standard warranty. Warranty terms and conditions apply.
438-8	Stock warranty	<p>Maximum 6 months postponed start of standard warranty, starting from factory shipment date. Note that no claims will be accepted for warranties that occurred before the end of stock warranty. Standard warranty commences automatically after 6 months from <i>Factory Shipment Date</i> or from activation date of standard warranty in WebConfig.</p> <div data-bbox="826 1800 888 1861" data-label="Image"> </div> <div data-bbox="911 1814 975 1845" data-label="Section-Header"> <p>Note</p> </div> <div data-bbox="821 1868 1452 1926" data-label="Text"> <p>Special conditions are applicable, see <i>Robotics Warranty Directives</i>.</p> </div>

Continues on next page

### 3 Specification of variants and options

---

#### 3.5 Warranty

*Continued*

---

#### Warranty for DressPack



##### Note

Option 3326-11/13 upper arm DressPack MH3 is not covered by the warranty.  
Option 3326-30/50 upper arm DressPack empty conduit is not covered by warranty.

# Index

## A

Absolute Accuracy, 67  
Absolute Accuracy, calibration, 61  
ambient humidity  
  operation, 21  
  storage, 21  
ambient temperature  
  operation, 21  
  storage, 21  
Axis Calibration  
  calibration tool  
    article number, 66

## B

base plate, 49

## C

calibration  
  Absolute Accuracy type, 60  
  standard type, 60  
calibration, Absolute Accuracy, 61  
calibration marks, 62  
calibration position  
  scales, 62  
calibration scales, 62  
CalibWare, 60  
compensation parameters, 67

## D

dimensions  
  robot, 40  
direction of axes, 64  
DressPack warranty, 186

## E

equipment, robot, 40  
extended working range, 155  
extension zone concept, 94  
extension zone limits, 94  
extra equipment, 40

## F

fitting, equipment, 40  
foundation  
  requirements, 21

## H

humidity  
  operation, 21  
  storage, 21

## I

installation  
  equipment, 40

## L

limitations, 95  
load, 93  
loads on foundation, 20

## M

maintenance, 17  
mounting, equipment, 40  
movable mechanical stop, 58

## N

negative directions, axes, 64

## O

operating conditions, 21  
option  
  Extended working range, 155  
options, 147

## P

positive directions, axes, 64  
product standards, 16  
protection classes, 22  
protection type, 22

## R

requirements on foundation, 21  
robot  
  dimensions, 40  
  equipment, fitting, 40  
  protection class, 22  
  protection types, 22  
  technical data, 19  
  working range, 25

## S

safety standards, 16  
scales on robot, 62  
securing the robot to foundation, attachment screws, 47  
speed, 95  
standards, 16  
standard warranty, 185  
stock warranty, 185  
stopping distance, 95  
stopping time, 95  
storage conditions, 21  
sync marks, 62

## T

technical data  
  robot, 19  
temperatures  
  operation, 21  
  storage, 21  
torques on foundation, 20  
troubleshooting, 17  
turning radius, 33

## V

variants, 147

## W

warranty, 185  
warranty for DressPack, 186  
wcp, 94  
weight, 19  
working range, 36  
  robot, 25







**ABB AB**

**Robotics & Discrete Automation**

S-721 68 VÄSTERÅS, Sweden

Telephone +46 10-732 50 00

**ABB AS**

**Robotics & Discrete Automation**

Nordlysvegen 7, N-4340 BRYNE, Norway

Box 265, N-4349 BRYNE, Norway

Telephone: +47 22 87 2000

**ABB Engineering (Shanghai) Ltd.**

Robotics & Discrete Automation

No. 4528 Kangxin Highway

PuDong New District

SHANGHAI 201319, China

Telephone: +86 21 6105 6666

**ABB Inc.**

**Robotics & Discrete Automation**

1250 Brown Road

Auburn Hills, MI 48326

USA

Telephone: +1 248 391 9000

**[abb.com/robotics](http://abb.com/robotics)**