

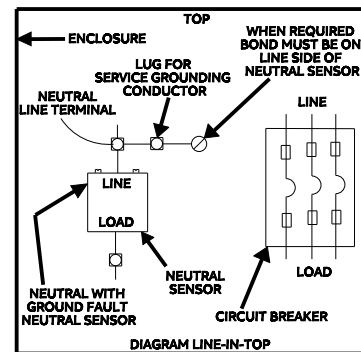


WARNING:
 TO AVOID DAMAGE, BREAKER HANDLE
 MUST BE IN THE FULLY OFF POSITION PRIOR
 TO OPENING OR CLOSING THE DOOR

CAT. NO.	XT7ENCL1200J	1SQA008332R0001	NEMA 12 ENCLOSURE
FOR USE WITH CIRCUIT BREAKER TYPES: TMAX XT7			
ENCLOSURE RATING 1200A, 600V MAX.			
SUITABLE FOR USE AS SERVICE EQUIPMENT			

FOR CIRCUIT BREAKER EQUIPPED WITH GROUND FAULT TRIP, USE
 NEUTRAL MOUNTING BASE & NEUTRAL SENSOR LISTED BELOW:
 (600V MAX)

NEUT. MOUNTING BASE CAT NUMBER	C/B MAX. AMP. SETTING	NEUTRAL SENSOR CATALOG NUMBER
1SQA001285R0001/ TNIA1200XTGF	1200A	1SDA082134R1



FOR ENCLOSURES WITHOUT GROUND FAULT NEUTRAL SENSOR AND WHERE
 NEUTRAL IS REQUIRED, USE:

C/B MAX. AMP. SETTING	NEUTRAL CATALOG NUMBER (600V MAX)	WIRE SIZE (AWG/KCMIL)
1200A	TNIA1200	(4) 250-350 CU-AL (4) 250-500 CU-AL

EQUIPMENT GROUND	WIRE SIZE (AWG/KCMIL)
TGL6	(3) 2-250 CU-AL

FOR USE WITH CU-AL CONDUCTORS WHEN BREAKER AND NEUTRAL LUGS ARE SO MARKED

CIRCUIT BREAKER LUGS: ORDER (1) KIT EACH FOR LINE AND LOAD END			
AMPERE	BREAKER LUG CATALOG NUMBER	WIRE SIZE (AWG/KCMIL)	
1200A	KXT7CUAL4X500K-3PC	KXT7CUAL4X500K-4PC	(4) #4/0 - 500 CU-AL

USE 75° C CONDUCTORS

WARNING INSTRUCTIONS: DANGER OF ELECTRICAL SHOCK OR BURN. TURN OFF POWER AHEAD OF CIRCUIT BREAKER BEFORE WORKING INSIDE. AFTERWARDS, REPLACE ALL PARTS, CLOSE AND SECURE COVER.

AVERTISSEMENT: RISQUE DE CHOC ELECTRIQUE ET DE TRANSFERT D'ENERGIE. COUPER L'ALIMENTATION EN AMONT DU DISJONCTEUR AVANT D'EFFECTUER DES TRAVAUX A L'INTERIEUR. REPOSER TOUT ES LES PIECES APRES LES TRAVAUX. FERMER ET VERROUILLER LE COUVERCLE.

ALUMINUM WIRE CAN CAUSE OVER HEATING. STEPS FOR CONNECTING ALUMINUM WIRE:

- (1) STRIP INSULATION WITHOUT NICKING WIRE.
- (2) WIRE BRUSH CONNECTORS STRANDS.
- (3) COAT STRANDS WITH ANTI-OXIDANT SUCH AS ALNOX OR PENETROX A13.
- (4) INSERT CONDUCTORS AND TIGHTEN SECURELY.

THE SHORT CIRCUIT WITHSTAND OF THIS ENCLOSURE IS EQUAL TO THE RATING OF THE BREAKER INSTALLED
 SEE BREAKER FOR INTERRUPTING RATINGS.

ASSEMBLED IN MEXICO



PRODUCT RATING LABEL
CATALOG XT7ENCL1200J

THIRD ANGLE	SHEET#	DWG NO.	DATE	REV
	1 of 1	1SQC930117M0201	27-Apr-22	3