



WARNING:
TO AVOID DAMAGE, BREAKER HANDLE
MUST BE IN THE FULLY OFF POSITION PRIOR
TO OPENING OR CLOSING THE DOOR

CAT. NO. XT6ENCL800CS 1SQA009045R0001 NEMA 4/4X ENCLOSURE

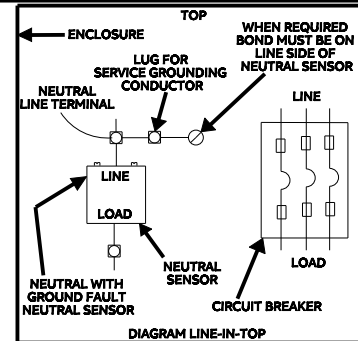
FOR USE WITH CIRCUIT BREAKER TYPES: TMAX XT6

ENCLOSURE RATING 800A, 600V MAX.

SUITABLE FOR USE AS SERVICE EQUIPMENT

FOR CIRCUIT BREAKER EQUIPPED WITH GROUND FAULT TRIP, USE
NEUTRAL MOUNTING BASE & NEUTRAL SENSOR LISTED BELOW:
(600V MAX)

NEUT. MOUNTING BASE CAT. NO.	C/B MAX. AMP. SETTING	NEUTRAL SENSOR CAT. NO.
1SQA008795R0001/ TNIA800XTGF	800A	1SDA107671R1 (600A)
		1SDA105158R1 (800A)
		1SDA105159R1 (1000A)



FOR ENCLOSURES WITHOUT GROUND FAULT NEUTRAL SENSOR AND WHERE
NEUTRAL IS REQUIRED, USE:

C/B MAX. AMP. SETTING	NEUTRAL CATALOG NUMBER (600V MAX)	WIRE SIZE (AWG/KCMIL)
800A	TNIA800	(3) 250-350 CU (2) 250-500 AL

EQUIPMENT GROUND	WIRE SIZE (AWG/KCMIL)
TGL6	(3) 2-250 CU-AL

FOR USE WITH CU-AL CONDUCTORS WHEN BREAKER AND NEUTRAL LUGS ARE SO MARKED

CIRCUIT BREAKER LUGS: ORDER (1) KIT EACH FOR LINE AND LOAD END			
AMPERE	BREAKER LUG CATALOG NUMBER		WIRE SIZE (AWG/KCMIL)
800A	KXT6CUAL3X400K-3PC	KXT6CUAL3X400K-4PC	(3) #2/0-400 CU-AL
	KXT6CUAL2X500K-3PC	KXT6CUAL2X500K-4PC	(2) 250-500 CU-AL

USE 75° C CONDUCTORS

WARNING INSTRUCTIONS: DANGER OF ELECTRICAL SHOCK OR BURN. TURN OFF POWER AHEAD OF CIRCUIT
BREAKER BEFORE WORKING INSIDE. AFTERWARDS, REPLACE ALL PARTS, CLOSE AND SECURE COVER.

AVERTISSEMENT: RISQUE DE CHOC ELECTRIQUE ET DE TRANSFERT D'ENRGIE. COUPER L'ALIMENTATION
EN AMONT DU DISJONCTEUR AVANT D'EFFECTUER DES TRAVAUX A L'INTERIEUR. REPOSER TOUT ES
LES PIECES APRES LES TRAVAUX. FERMER ET VERROUILLER LE COUVERCLE.

ALUMINUM WIRE CAN CAUSE OVER HEATING. STEPS FOR CONNECTING ALUMINUM WIRE:

- (1) STRIP INSULATION WITHOUT NICKING WIRE.
- (2) WIRE BRUSH CONNECTORS STRANDS.
- (3) COAT STRANDS WITH ANTI-OXIDANT SUCH AS ALNOX OR PENETROX A13.
- (4) INSERT CONDUCTORS AND TIGHTEN SECURELY.

THE SHORT CIRCUIT WITHSTAND OF THIS ENCLOSURE IS EQUAL TO THE RATING OF THE BREAKER INSTALLED
SEE BREAKER FOR INTERRUPTING RATINGS.

ASSEMBLED IN MEXICO



PRODUCT RATING LABEL
CATALOG XT6ENCL800CS

THIRD ANGLE	SHEET#	DWG NO.	DATE	REV
	1 of 1	1SQC930109M0201	27-Apr-22	3