

Perfection in connection

Z-busbar connectors



Easy installation

Reduced width occupies less space on busbar.



Speed up installation

One screw for cable connection improves speed and torque control.



Secure connection

Verified according to IEC 61238-1-1 Class A to secure qualitative connection over its life time.



Safety as standard

Improved IP-protection for increased safety.



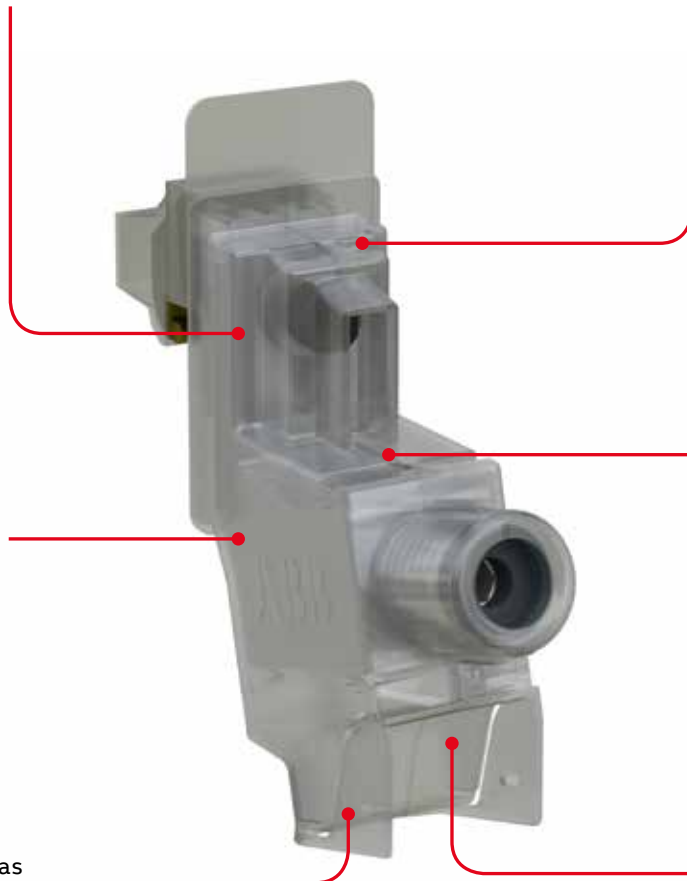
Reliable connection

Contact grease included as standard and qualitative pressure part for reliable connection.



Easier inspection

Marking for mounting guidelines and transparent plastic for visibility.



Ordering information Z-busbar connectors

Order code	Type	Cable area Cu/Al [mm ²]	Rated operational current	Width [mm]	Torque to busbar [Nm]	Torque to cable connection [Nm]		
						1,5-16 mm ²	25-95 mm ²	120-300 mm ²
Insulated connector for mounting on Z-busbar								
2CGD000508A1000	CIZ 95	1,5-95	250A	35	20	10	20	-
2CGD000510A1000	CIZ 300	50-300	630A	42	20	-	20	35
Uninsulated connector for mounting on Z-busbar								
2CGD000507A1000	CUZ 95	1,5-95	250A	21	20	10	20	-
2CGD000509A1000	CUZ 300	50-300	630A	30	20	-	20	35

Outgoing products		New	
AKZD 95	2CMA125202R1000	CIZ 95	2CGD000508A1000
AKKZ 300	2CMA125165R1000	CIZ 300	2CGD000510A1000
PEN-C 95	2CMA100011R1000	CUZ 95	2CGD000507A1000
PEN-C 300	2CMA125014R1000	CUZ 300	2CGD000509A1000