

—
PRODUCT BROCHURE

Microelectric®

Highly corrosion-resistant meter sockets
for harsh environments



- Superior corrosion resistance
- Canadian design and manufacture
- Overhead or underground installation

Microelectric®

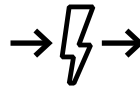
Highly corrosion-resistant meter sockets

For challenging environmental conditions, such as coastal zones, where corrosion can significantly shorten product life expectancy, Microelectric® corrosion-resistant meter sockets are the solution.

The CR (Corrosion Resistant) option is now available on three of our best-selling meter sockets: the BQ2, BE1 and BS2 Series. The CR option offers homeowners durability, functionality and peace of mind for years to come with no more prematurely rusted-out enclosures! With the CR option, meter sockets withstand environmental corrosion and enclosures remain rust-free longer.



Weatherproof
Type 3RX enclosure



Oxidation-inhibiting compound on the
jaws preserves electrical conductivity
and facilitates meter removal during
maintenance



Unique paint system to withstand salt spray
test (ASTM B117) 5X longer than required
to meet CSA standard



Designed and manufactured in
Saint-Jean-sur-Richelieu, Quebec



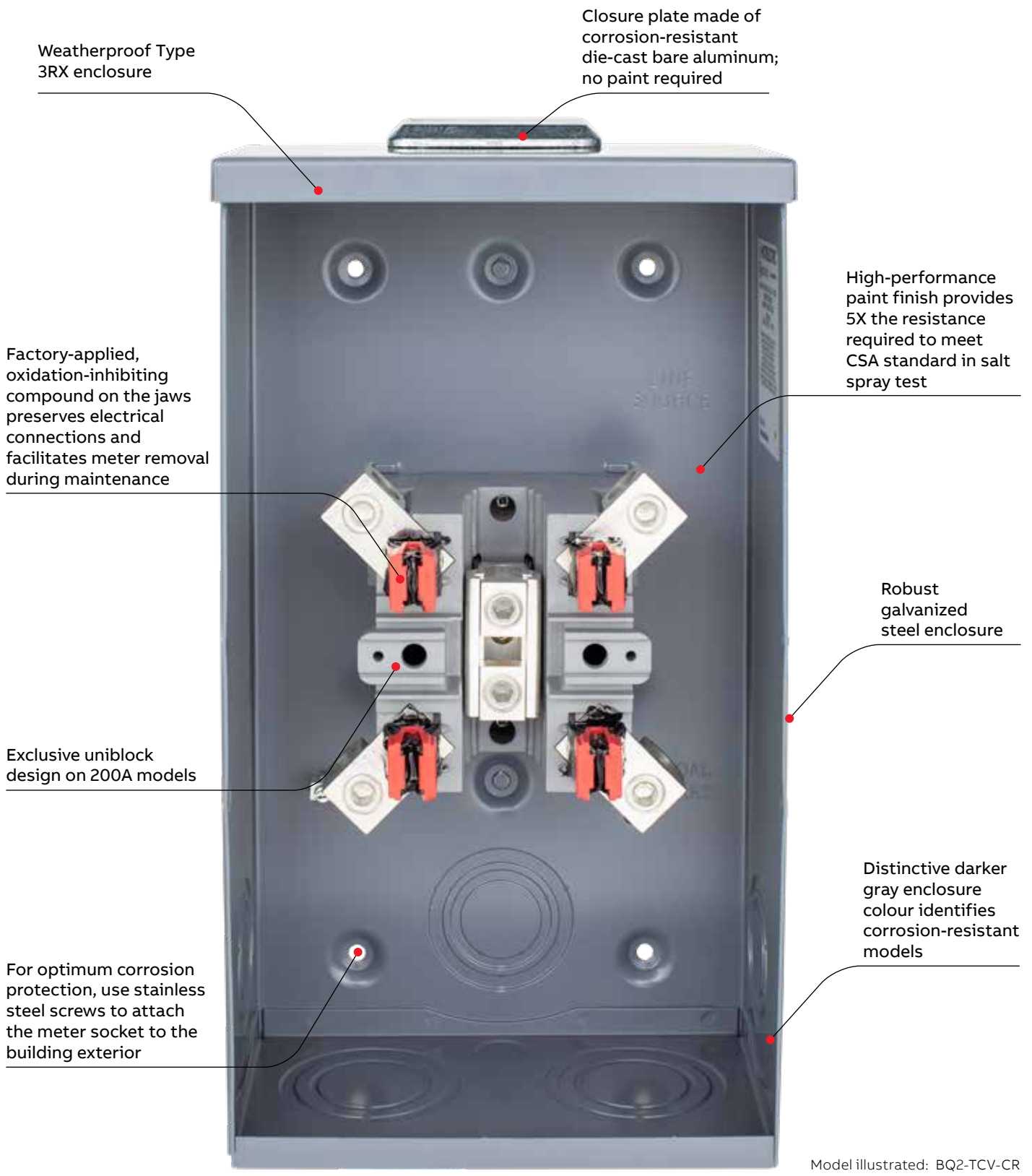
Strong, safe and long-lasting



Model illustrated: BQ2-TCV-CR

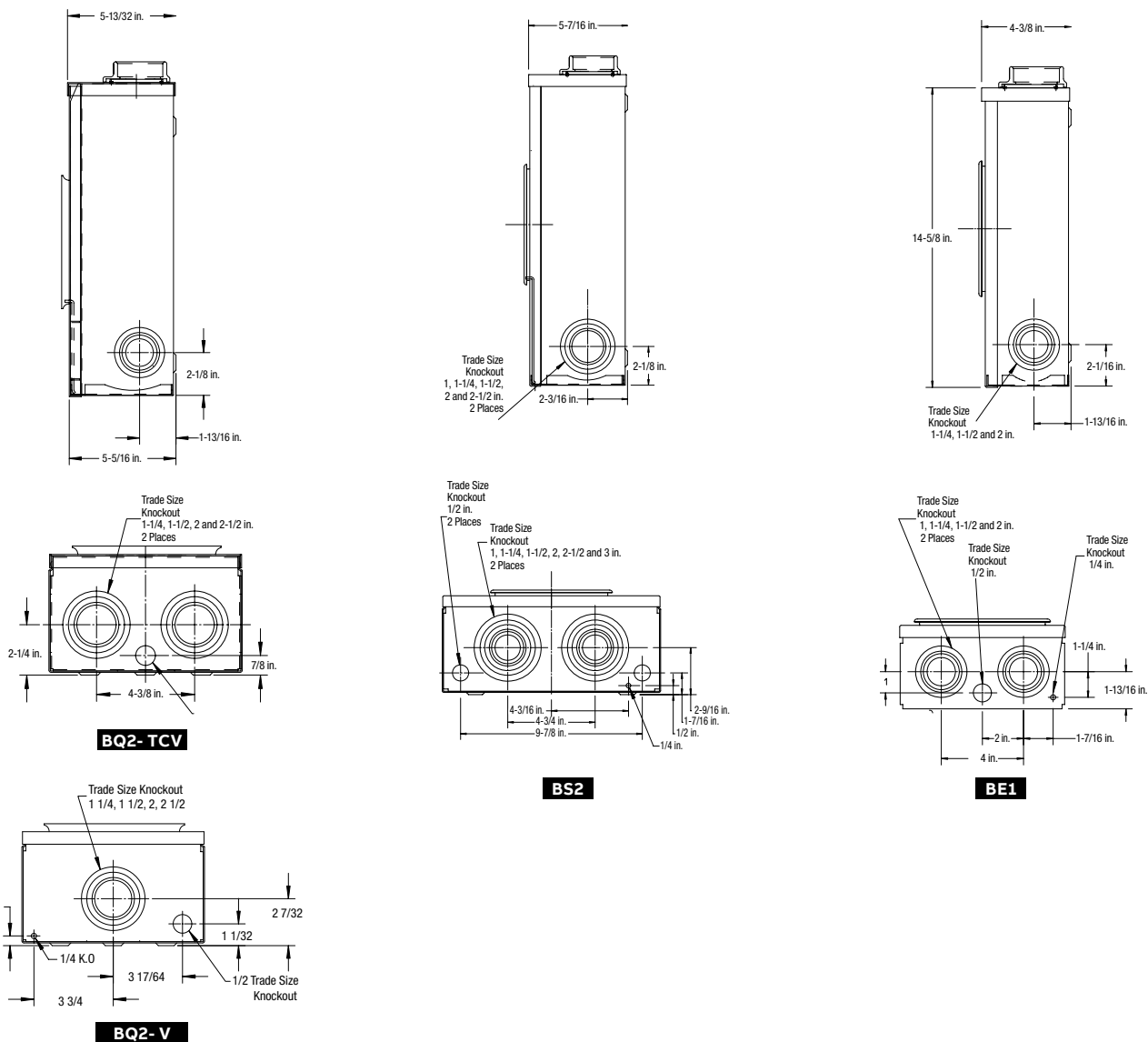
Corrosion-resistant option on selected Microelectric® BQ2, BE1 and BS2 models

- Designed and manufactured in Canada for the Canadian climate – withstands temperature variations from -40°C to 90°C
- Superior resistance to corrosion in all types of environments – ideally suited for coastal and industrial areas
- Robust galvanized steel construction
- New elegant and distinctive colour identifies CR option



During installation, the application of a corrosion inhibiting compound on the stripped portion of the conductors helps to preserve the electrical connections. The compound is supplied with the meter socket.

Available models



Combination overhead & underground meter sockets with weatherproof type 3RX enclosure



	Product description			Dimensions (in.)			Weight
	Factory-installed accessories	Amps/Volts	Conductor range	H	W	D	(lb./ kg)
BE1-TCV-CR	—	100 A 600 V	6-1/0 AWG	14-5/8	8-1/4	4-3/8	8 lb. / 3.6 kg
BE1-INTCV-CR	Insulated neutral	100 A 600 V	6-1/0 AWG	14-5/8	8-1/4	4-3/8	8 lb. / 3.6 kg
BQ2-TCV-CR	—	200 A 600 V	6 AWG–250 kcmil	15-5/8	8-47/64	5-13/32	12 lb. / 5.4 kg
BQ2-TCVGN-CR	Ground on neutral	200 A 600 V	6 AWG–250 kcmil	15-5/8	8-47/64	5-13/32	12 lb. / 5.4 kg
BS2-TCVBC-CR	—	200 A 600 V	6 AWG–250 kcmil	17-1/8	12	5-7/16	14 lb. / 6.3 kg
BS2-INTCVBC-CR	Insulated neutral	200 A 600 V	6 AWG–250 kcmil	17-1/8	12	5-7/16	14 lb. / 6.3 kg
BS2-TCVGNBC-CR	Ground on neutral	200 A 600 V	6 AWG–250 kcmil	17-1/8	12	5-7/16	14 lb. / 6.3 kg
BQ2-2V-CR*	Comes with 2 in. hub	200 A 600 V	6 AWG–250 kcmil	15-5/8	8-47/64	5-13/32	12 lb. / 5.4 kg
BQ2-2VGN-CR*	Ground on neutral - Comes with 2 in. hub	200 A 600 V	6 AWG–250 kcmil	15-5/8	8-47/64	5-13/32	12 lb. / 5.4 kg
BQ2-VGN-CR*	Ground on neutral	200 A 600 V	6 AWG–250 kcmil	15-5/8	8-47/64	5-13/32	12 lb. / 5.4 kg

*Overhead only



—

ABB

Installation Products

700 Thomas Avenue
Saint-Jean-sur-Richelieu, Quebec
J2X 2M9

Tel.: (450) 347-5318

Fax: (450) 347-1976

tnb.ca.abb.com

For more information