

4600 Transmitter



Transmitter front cover
replacement

Measurement made easy

Introduction

This publication details procedures for the replacement of the 4600 transmitter front cover assembly.

WARNING

These procedures must be carried out by suitably trained personnel and in accordance with the information given.

1 Electrical Safety

WARNING

- Isolate the transmitter from all high voltage supplies before performing this replacement procedure.
- Ensure all electrical connections are kept dry at all times.
- Transmitter boards and modules are vulnerable to electrostatic damage. Wear an anti-static strap at all times during these replacement procedures.

2 Replacement procedure

Referring to Figure 1:

- 1 Remove lower cover (A) by sliding it down, pulling it out slightly and sliding it off. Retain cover.
- 2 Using a small flat-bladed screwdriver, remove 4 front panel screws (B) and remove protection panel (C). Retain panel and screws.

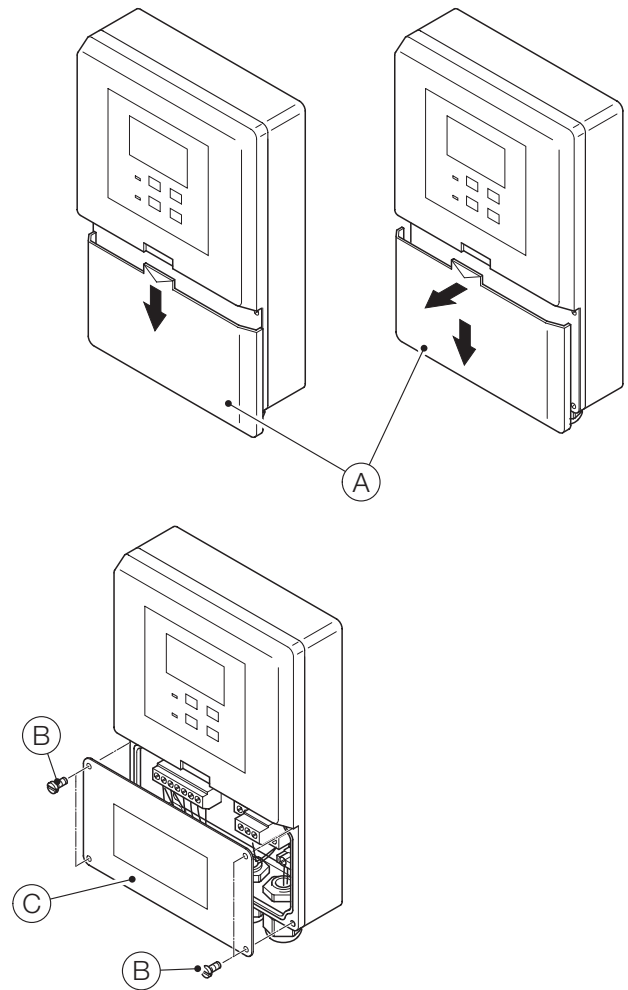
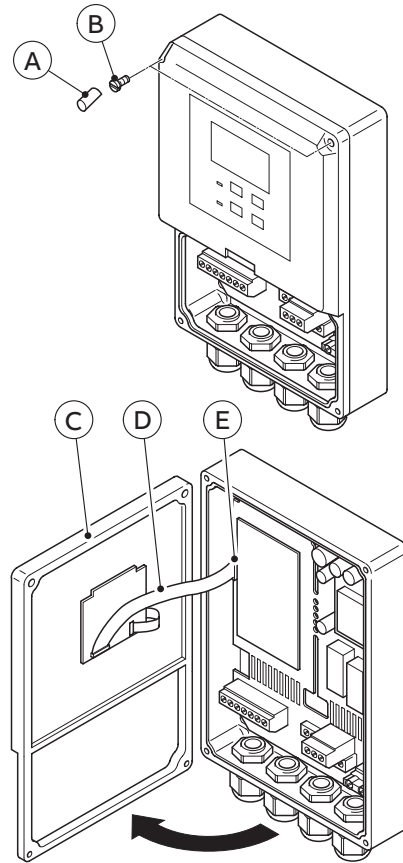


Figure 1 Removing lower cover

Referring to Figure 2:

- 1 Remove 2 caps (A) and using a small flat-bladed screwdriver, remove 2 retaining screws (B). Retain caps and screws.
- 2 Carefully open front cover assembly (C) taking care not to strain flexi-cable (D).
- 3 Pull flexi-cable connector (E) away from its connector block on the motherboard and remove front cover assembly (C).
- 4 Carefully remove membrane switch flat flexi (F) from the flexi connector on the display board.
- 5 Using a small pozidriv screwdriver, remove 4 retaining screws (G). Retain the screws.
- 6 Carefully remove display board (H) from the transmitter front cover. Retain the display board for reuse and put the transmitter front cover aside to return to the factory.
- 7 Position display board (H) in the new transmitter front cover and secure in place with 4 screws (G).
- 8 Carefully push membrane switch flat flexi (F) into the flexi connector on the display board.
- 9 Carefully reconnect flexi-cable (D) to the motherboard by pressing flexi-cable connector (E) into place (SK2)
- 10 Refit front cover assembly (C) and using a small flat-bladed screwdriver, secure with 2 front cover assembly screws (B). Refit caps (A).



Referring to Figure 1:

- 1 Refit protection panel (C) and using a small flat-bladed screwdriver, secure with 4 front panel screws (B)
- 2 Refit lower cover (A).

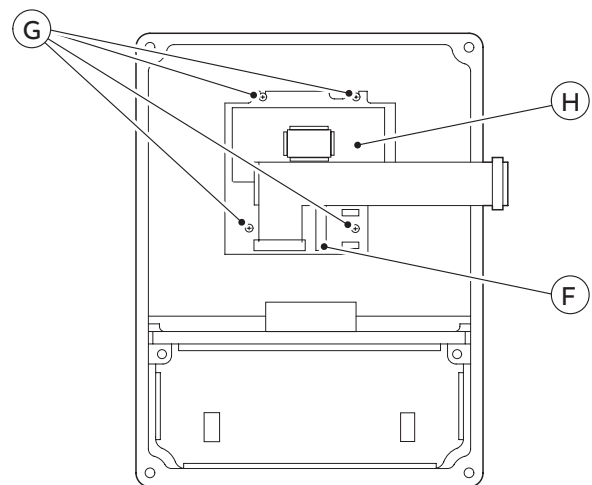


Figure 2 Removing transmitter front cover

ABB Limited

Measurement & Analytics

Oldends Lane, Stonehouse
Gloucestershire,
GL10 3TA
UK

Tel: +44 (0)1453 826661

Fax: +44 (0)1453 829671

Mail: instrumentation@gb.abb.com

ABB Limited

Measurement & Analytics

125 E. County Line Road
Warminster, PA 18974
USA

Tel: +1 215 674 6000

Fax: +1 215 674 7183

www.abb.com/measurement



We reserve the right to make technical changes or modify the contents of this document without prior notice. With regard to purchase orders, the agreed particulars shall prevail. ABB does not accept any responsibility whatsoever for potential errors or possible lack of information in this document.

We reserve all rights in this document and in the subject matter and illustrations contained therein. Any reproduction, disclosure to third parties or utilization of its contents – in whole or in parts – is forbidden without prior written consent of ABB.