

Conductor Network Clamps

An effective low resistance conductor connection



Furse® Conductor Clamps are made from high quality copper alloy, providing the perfect conductor connection within a lightning protection and earthing system. Our clamps offer solutions for both stranded cable and tape conductors.

Features & benefits

- **Made to standard**
 - Our conductor connector clamps have been tested to lightning protection product standard IEC/BS EN 62561-1
- **Versatile installation**
 - Providing low resistant connections for a range of conductor sizes for both stranded cables and tape configurations.
- **High quality materials**
 - Manufactured from high quality copper alloy
 - Fixings used are Stainless Steel 306 A2
- **Easy to install**
 - Tightening Torque specified for each product
 - Fix using countersunk wood screw 1 1/2" No.10 (Part no. SW005 or SW105) and wall plugs (Part no. PS305)
- **Application**
 - Designed to securely connect conductor in cross, tee, through and right angle joint applications.

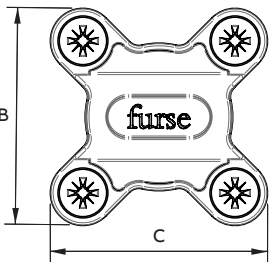
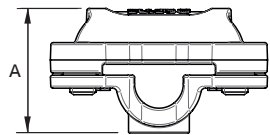
Product information

Part no.	ABB Order code	Conductor A size	Conductor B size	Dimensions (mm)			Weight each (kg)	Certification / standards
				A	B	C		
CR810-FU	7TCA083660R0015	50 mm ²	50 mm ²	26	50	50	0.12	●
CR815-FU	7TCA083660R0016	70 mm ²	70 mm ²	26	50	50	0.13	●
CR820-FU	7TCA083660R0017	95 mm ²	95 mm ²	26	50	50	0.14	●
CR855-FU	7TCA083660R0018	50 mm ²	50 mm ²	28	50	50	0.2	●
CR860-FU	7TCA083660R0019	70 mm ²	70 mm ²	28	50	50	0.2	●
CR865-FU	7TCA083660R0020	95 mm ²	95 mm ²	28	50	50	0.2	●
CT125-FU	7TCA083620R0064	25 x 3 mm	50 mm ²	19	50	50	0.12	●
CT130-FU	7TCA083620R0065	25 x 3 mm	70 mm ²	19	50	50	0.12	●
CT135-FU	7TCA083620R0066	25 x 3 mm	95 mm ²	19	50	50	0.13	●

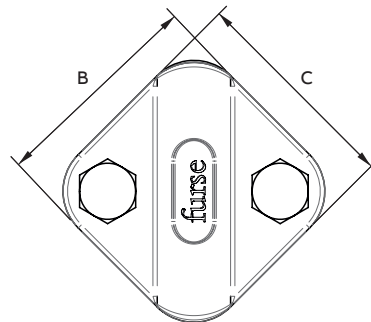
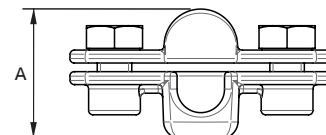
Certification / Standards: ● IEC/BS EN 62561-1 Class H.

Note: The shape of some products may vary from those illustrated.

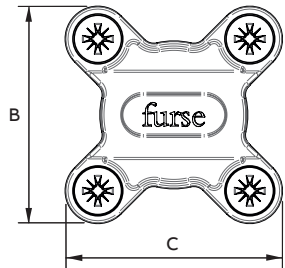
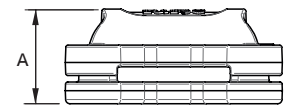
Dimensions
CR810-FU



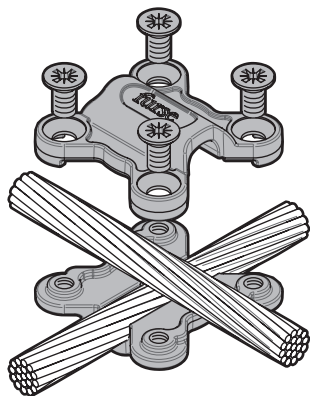
Dimensions
CR855-FU



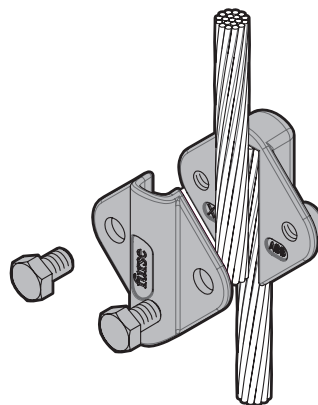
Dimensions
CT125-FU



Typical installation
CR810-FU



Typical installation
CR855-FU



Typical installation
CT125-FU

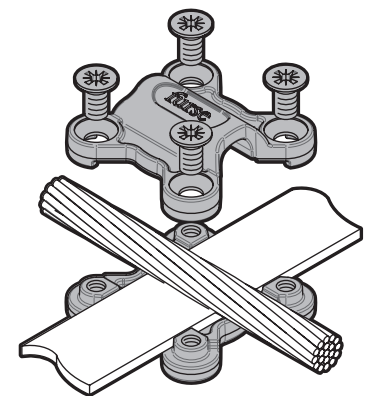


ABB Limited
Furse
Wilford Road
Nottingham
NG2 1EB UK
Tel: +44 (0) 115 964 3700

www.furse.com

We reserve the right to make technical changes or modify the contents of this document without prior notice. With regard to purchase orders, the agreed particulars shall prevail. ABB does not accept any responsibility whatsoever for potential errors or possible lack of information in this document.

We reserve all rights in this document and in the subject matter and illustrations contained therein. Any reproduction, disclosure to third parties or utilisation of its contents – in whole or in parts – is forbidden without prior written consent of ABB. Copyright © 2023 ABB. All rights reserved.