

IPS Three Phase Series

Interruptible emergency lighting inverter system 4.5KVA –54KVA



Features

- PWM/Power Mosfet technology
- Self-testing/self-diagnostic
- User programmable with password protection
- User programmable variable time delay
- Optional 100% normally Off output
- RS485 MODBUS RTU communication port
- Micro-processor controlled
- 30, 60, 90, 120 minutes run times
- Summary alarm form C dry contact
- Generator compatibility
- Electronic and magnetic ballast compatible
- Automatic event, test and alarm log
- LCD display
- Maintenance free standard batteries
- Forced air cooling during emergency and recharge modes only
- Off when on standby

Electrical/mechanical characteristics for 30 minutes back-up time

Power rating KVA/ KW	Effic. at full load %	Max. input current (A) ⁽¹⁾			Heat loss in normal mode (BTU/HR)	Batt. VDC	Batt. ADC	No. of batt. ⁽¹⁾	No. of IPS cab. ⁽¹⁾⁽²⁾	IPS cabinet dimensions				No. of 20 batt. cab. ⁽¹⁾⁽²⁾	Batt. cabinet dimensions				Total IPS cabinet weight KG ⁽¹⁾	Total batt. cabinet weight KG (empty) ⁽¹⁾	Battery weight KG ⁽¹⁾	Total system weight KG ⁽¹⁾		
		208/120V	480/277V	600/347V						W"	H"	D"	No. of 30 batt. cab. ⁽¹⁾⁽²⁾		W"	H"	D"	W"					H"	D"
4.5	98%	29	13	10	546	120	50	20	1	30	71	27	NA	NA	NA	NA	NA	NA	NA	265	NA	210	475	
9.0	98%	42	18	14	546	120	101	10	1	30	71	27	NA	NA	NA	NA	NA	NA	NA	340	NA	372	712	
13.5	98%	54	23	19	546	120	151	20	1	30	77	27	1	30	77	27	NA	NA	NA	415	140	550	1105	
18.0	98%	67	29	23	546	120	202	20	1	30	77	27	1	30	77	27	NA	NA	NA	540	140	744	1424	
22.5	98%	79	34	27	546	120	252	30	1	30	77	27	NA	NA	NA	NA	1	30	71	30	615	165	825	1605
27.0	98%	92	40	32	546	120	303	30	1	30	77	27	NA	NA	NA	NA	1	30	77	30	690	165	1116	1971
31.5	98%	104	45	36	1092	120	353	30	2	30	77	27	1	30	77	27	NA	NA	NA	NA	905	140	1116	2161
36.0	98%	117	51	40	1092	120	403	40	2	30	77	27	NA	NA	NA	NA	1	30	77	30	1030	165	1488	2683
40.5	98%	129	56	45	1092	120	454	40	2	30	77	27	2	30	77	27	NA	NA	NA	NA	1105	280	1488	2873
45.0	98%	142	61	49	1092	120	504	50	2	30	77	27	1	30	77	27	1	30	77	30	1180	305	1860	3345
49.5	98%	NA	67	53	1092	120	555	50	2	30	77	27	1	30	77	27	1	30	77	30	1255	305	1860	3420
54.0	98%	NA	73	58	1092	120	605	60	2	30	77	27	NA	NA	NA	NA	2	30	77	30	1380	330	2232	3942

¹For 30 min. discharge time. For other discharge times, consult factory.

²Batteries are installed in the IPS cabinet for 4.5 to 9.0KVA systems, for 30 minutes only.

Ordering information

Series	System voltage	KVA/KW	Run time	External circuit breaker	Options
EIII= Series	1= 120/208 4 wire in-out 2= 277/480 3= 347/600	A= 4.5 B= 9 C= 13.5 D= 18 E= 22.5 F= 27 G= 31.5 H= 36 I=40.5 J= 45 ¹ K= 49.5 ² L= 54 ²	3= 30 minutes 6= 60 minutes 9= 90 minutes 12= 120 minutes	B= no breakers N####= normally on F####= normally off First two digits= Qty. 01 to 99 max (specify) Last two digits= Amp rating 10, 15, 20, 25... (specify) Example: N1020	A= fast recovery charge C= remote alarm panel E= output trip alarm G= "inverter on" dry contact H= normally off full capacity output I= extended battery warranty ¹ J= external maintenance bypass K= anchor mounting kit L= drip shield M= second output terminal block N= normally on & normally off output ² O= Bacnet Gateway
	Other voltages available using external transformer (sold separately)				
		¹ For 120 minutes run time, minimum 120/240VAC in/out			
		² Min. 277/480VAC in/out			
					¹ Consult your sales representative ² Full capacity available on either output

Example: EIII1A3N1020

IPS Three Phase Series

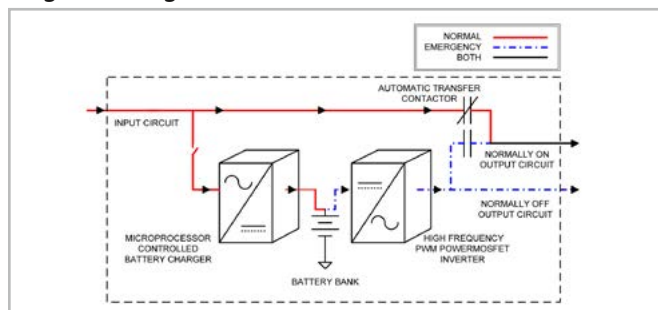
Interruptible emergency lighting inverter system 4.5KVA –54KVA

System specifications

General	
Design	Stand-by. PWM inverter type utilizing Power Mosfet technology with 500ms transfer time.
Control	Microprocessor controlled, 4 x 20-character display with touch pad controls & functions
Metering	Input & Output Voltage, Battery Voltage, Battery & Output Current, Output VA, Temperature
Communications	RS-485 MODBUS RTU Port (DB-9)
Electrical input	
Voltage	120/208, 277/480, 347/600VAC 3-phase 4-wire +10% / -15%.
Input frequency	60Hz
Electrical output	
Voltage	120, 277, 347VAC 2-wire or 120/240 3-wire, 1-phase
Dynamic voltage	+/-2% for +/-25% load step change, +/-3% for a 50% load step change, recovery within 3 cycles
Harmonic distortion	<5% THD for linear load
Output frequency	60Hz +/- 2Hz during emergency mode
Load power factor	0.7 lag to 0.9 lead
Inverter overload	120% continuous, 150% for 1 minute and 200% for 10 seconds
Protection	Optional external distribution circuit breaker
Crest factor	3
Environmental conditions	
Storage/transport	32°F to 104°F (0°C to 40°C) without batteries 68°F to 86°F (20°C to 30°C) with batteries ⁽¹⁾
Operating temperature	System operates safely from 32°F to 104°F (0°C to 40°C) but optimum operation is between 68° F and 77°F (20°C to 25°C). Battery performance can be affected by temperature.
Altitude	<10,000 feet (above sea level) without de-rating
Relative humidity	0 to 95% non-condensing
Audible noise	45 dBA at 1m from surface in emergency mode

⁽¹⁾Max. 3 months at 77°F-86°F (25°C-30°C)

Single line diagram



Cabinets

Modular design, freestanding NEMA type 1 steel cabinets powder coated for corrosion and scratch resistance. Front access design through hinged lockable doors requires only 42" front, 2" back and side clearance and 12" top clearance without drip shield. Top conduit entry Gland Plate.

Inverter

Using Power Mosfet/PWM technology the inverter converts DC voltage supplied by the batteries to AC voltage of a precise stabilized amplitude and frequency, suitable for most sophisticated electrical equipment. True sinusoidal output waveform with very low distortion (less than 5% for linear loads). Overload capability of 120% continuous, 150% for 1 minute and 200% for 10 seconds.

Charger

Fully automatic, temperature compensated, charger recharges fully discharged batteries in maximum 24 hours at nominal AC input voltage. AC input current limiting and over-voltage protection included.

Battery

System is provided standard with 10 year, maintenance free, sealed valve regulated, lead calcium batteries. 30, 60, 90 & 120 min. standard discharge time at full load under normal operating temperature (20°C to 25°C). Low Voltage Disconnect protection included. No special ventilation required.

Supervision

Automatic self tests consist of a 2-minute monthly, 1/3 discharge at 6 months and full annual discharge. The front-mounted control panel includes, a 4-line 20-character LCD display with keypad to control and monitor the operation of the system. This allows the operator to easily "watch" system functions as they occur and check on virtually any aspect of the system's operation. Standard RS485 MODBUS RTU diagnostic interface.

Alarms

Battery High/Low, Low Voltage Disconnect, Battery Disconnect, Maintained Lamp Off, Charger Fail, Supply From Battery, System Inhibit, Circuit Breaker Trip, Module Breaker Trip, Inverter Undervoltage, Inverter Overvoltage, Output Overcurrent, Hi Temp, Over Temp, Unit in Bypass, Inverter Frequency Control Failed, Processor Reset.

Optional features

External Output Circuit Breakers, Output Trip Alarms, Extended Battery Warranty, 12 Hours Fast Recharge, External Maintenance Bypass Switch, Remote Meter Panel, Ethernet Port, NEXUS® System Interface. Dripshield, Remote Alarm Panel, Normally Off Output, Anchor Mounting Brackets, Dry Contact Relay, Bacnet Gateway.

Factory start-up

Includes one additional year of warranty. See warranty conditions.

Warranty

(Full limited warranty conditions available upon request)

Limited manufacturer warranty is one-year, parts and labor, for system electronics. Battery warranty is one year full plus 9 years pro-rata for a total of 10 years, under normal operating conditions. System must be put in service within 6 months from ship date in order to validate warranty. Consult factory for other battery types.