

## Installation guide

# DPMP-02/03 mounting platform for control panels

## Compatibility and delivery check

Contents of the package: mounting platform, nut, control panel cable. Check that all items are present and there are no signs of damage. Compatible control panels are ACH-CP-H, ACS-AP-H, ACS-AP-I, ACS-AP-S, ACS-AP-W and ACS-BP-S.

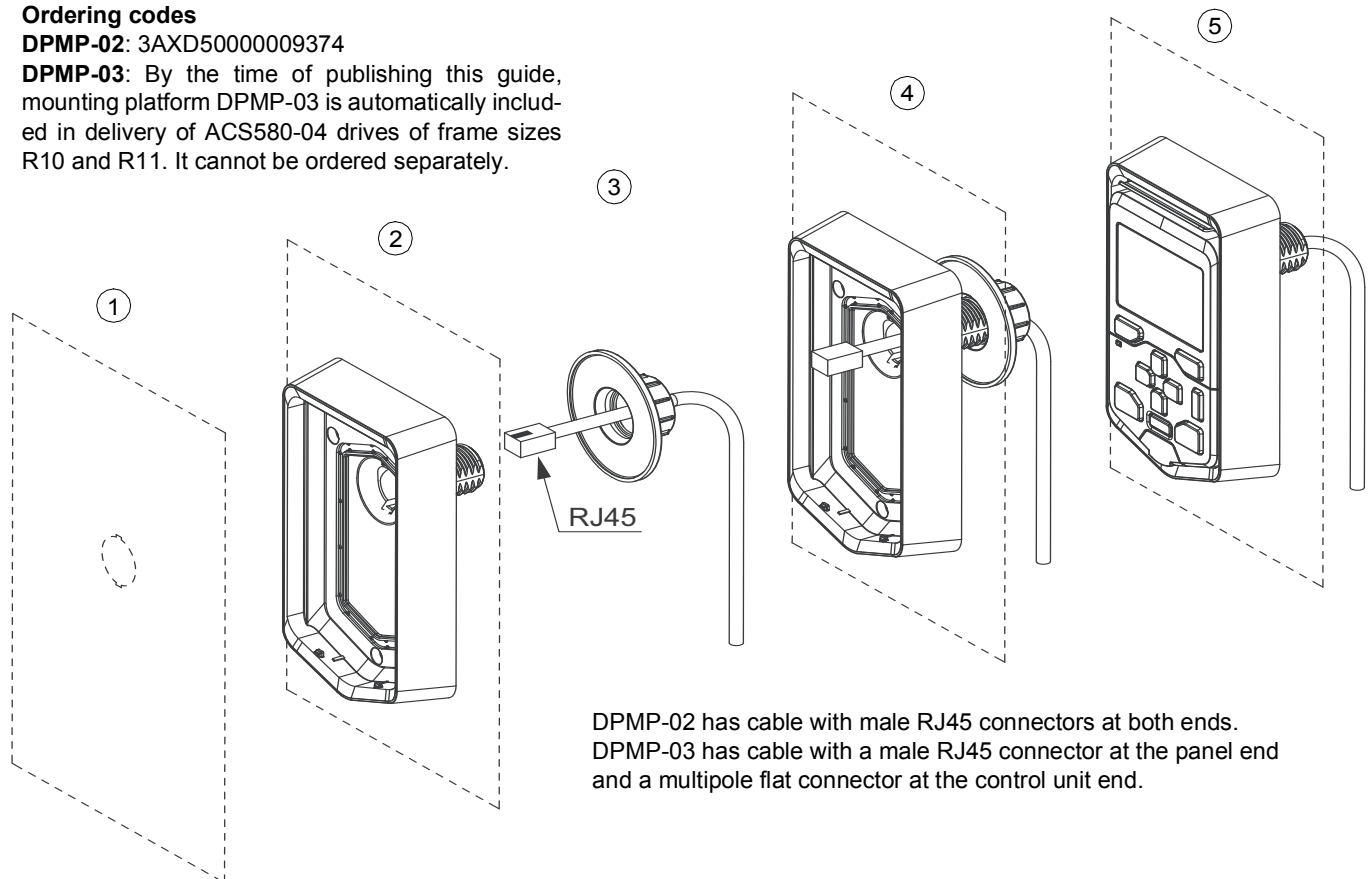
## Installation instructions

1. Cut a hole in the cabinet door. See the [Dimension drawings](#) on next page.
2. Remove the locking nut and insert the mounting platform into the hole.
3. Put the control panel cable through the locking nut and the mounting panel hole.
4. Tighten the locking nut turning it clockwise.
5. Connect the panel cable to the panel and attach the panel to the mounting platform.
6. Secure the control cable, for example, with a cable tie to avoid mechanical stress to the panel connector. Leave some loose cable for opening the cabinet door or removing the control panel.
7. Connect the other end of the cable to the appropriate connector. See the drive hardware manual.

### Ordering codes

**DPMP-02:** 3AXD50000009374

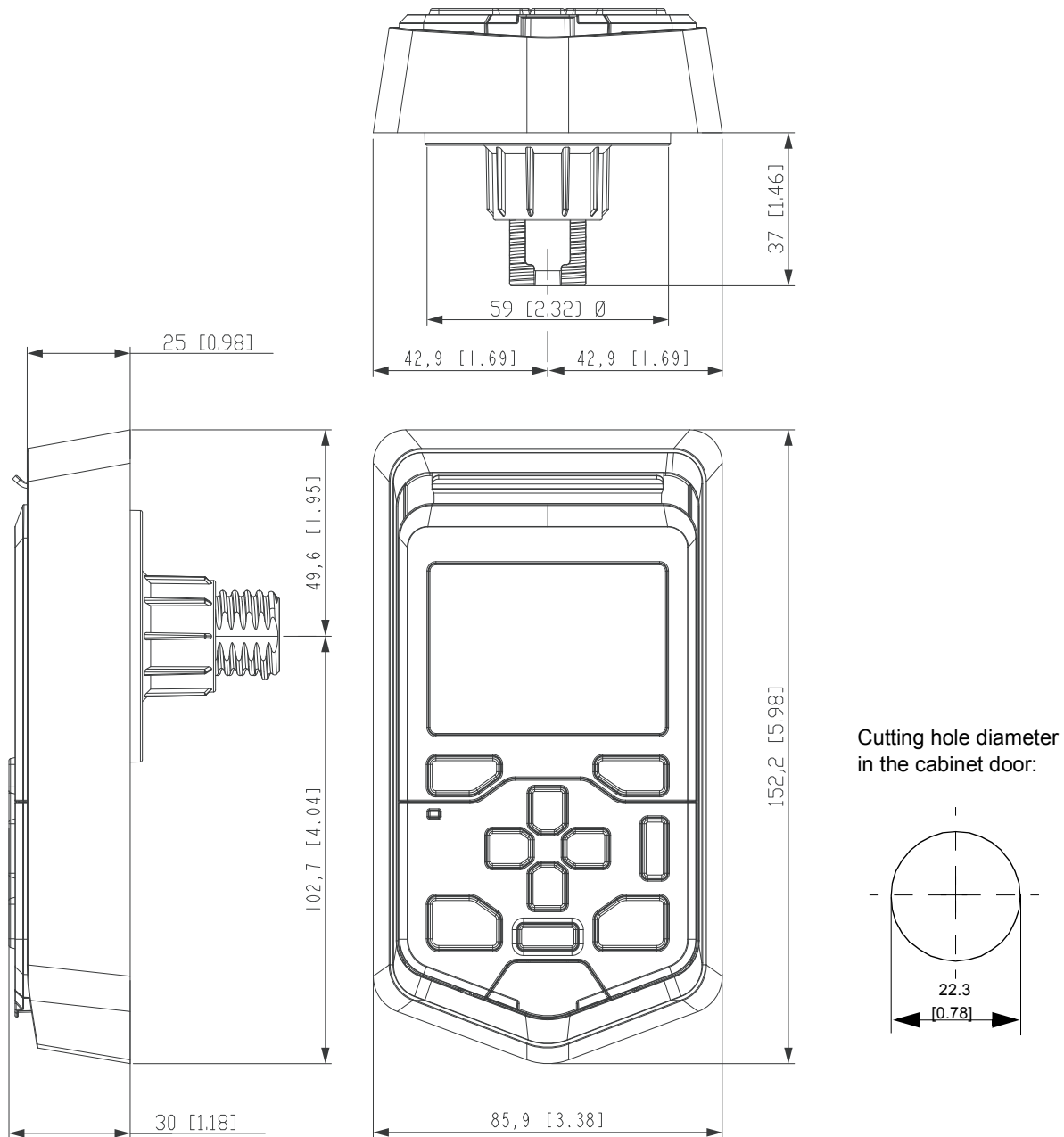
**DPMP-03:** By the time of publishing this guide, mounting platform DPMP-03 is automatically included in delivery of ACS580-04 drives of frame sizes R10 and R11. It cannot be ordered separately.



DPMP-02 has cable with male RJ45 connectors at both ends.  
DPMP-03 has cable with a male RJ45 connector at the panel end and a multipole flat connector at the control unit end.

## Dimension drawings

Cabinet door thickness: 1.5...30 mm (0.059...1.18 in)



## Technical data

Degree of protection: IP65 / UL Type 12 when panel is mounted, IP20 when panel is not mounted. Cable: 3 m, CAT5E, UTP.

