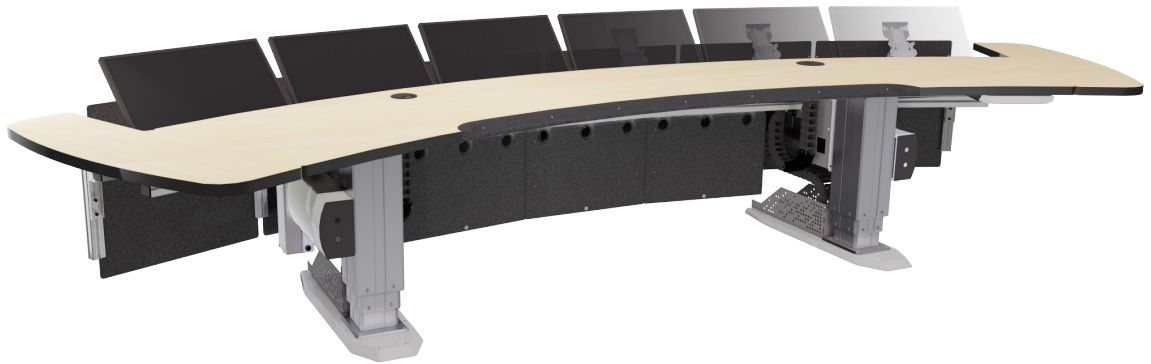


---

FUNCTIONAL OVERVIEW

# Alerto

## Operator Desk System




---

Alerto model B6 with the motorized working board and monitor board, motorized monitor holders, detachable sideboards, recessed armrest, and noise dampening back panels.

---

### Fully featured, sturdy and versatile: Designed to meet the highest human factors demands.

#### Built to last

Built to last in the toughest 24/7 environments with a solid base, and, a thick high pressure laminate worktop. Stable and powerful motorization, with adjustment in 4 different axis.

#### Features for every need

This fully featured desk offers solutions to store computers or personal affects, arrange monitors, reduce noise, increase desk area, along with other technical equipment. In the end your desk will give you a space efficient solution, easy to clean and maintain.

#### A model for any design

The Alerto desk system comes in a wide arrange of sizes and shapes. The sturdy base allows great flexibility, allowing heavy equipment to be mounted as part of the desk. The desk system is useable for customized designs and to facilitate special equipment.

#### Design made easy

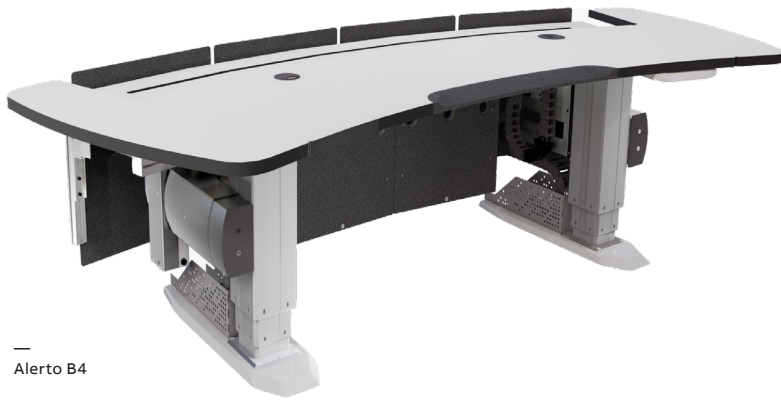
We have made all models available in CAD and Sketchup models for ease of use when designing your interior. We can also assist in creating your next collaborative environment. Please contact us for support.

#### Fully equipped for optimal performance

- Motorized height adjustable desk, with detachable sideboards, and comfortable recessed and replaceable armrest
- Separate motorized monitor board with monitor mounts that enable adjustable monitor angle, height, and depth
- Dedicated hardware shelf that keeps computers of the floor and reduce cabling problems with height adjustment
- Noise reducing back panels which reduces ambient buzz and PC noise

---

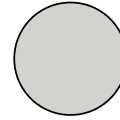
Optimize human performance in 24/7 control environments, and prepare for long-term upgrade-ability to match new needs and technologies.



Alerto B4

## Standard desk models

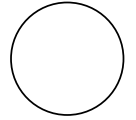
- Load 300kg wide distributed
- Power: 100-240V 50-60Hz
- Frame in silver RAL 9006
- Level adjustable feet in grey RAL 7015
- USB fast charging station with a Type-A 12W port and a Type-C 60W port
- Cableport for additional cabling
- High pressure laminate top board:



Formica 7927  
Folkstone Light Gray



Formica 7921  
Birch



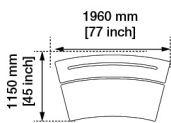
Other colors or  
specifications are  
available on request

## Sizes

Based on 560mm wide monitors.

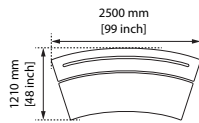
3 monitors

**B3**



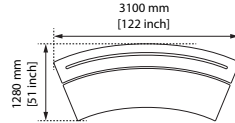
4 monitors

**B4**



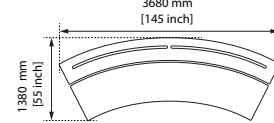
5 monitors

**B5**

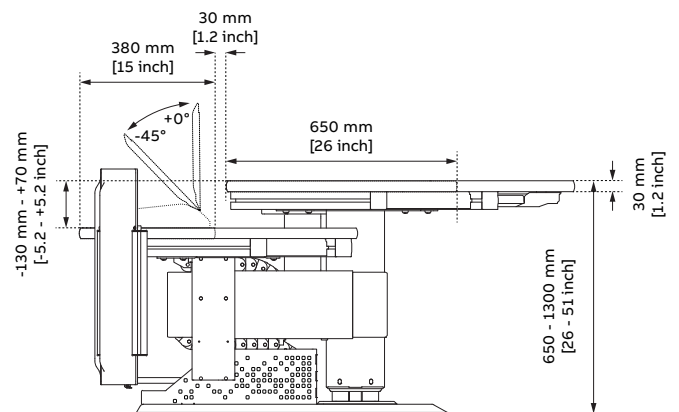
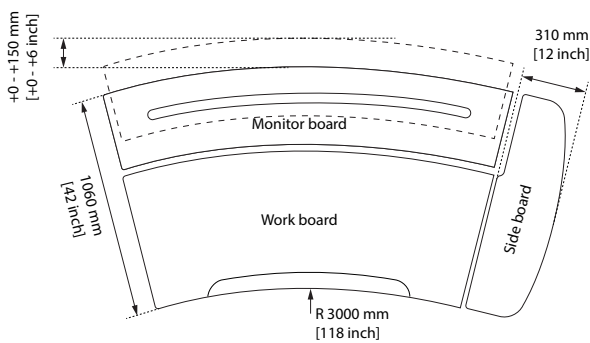


6 monitors

**B6**



## Details



[abb.com](http://abb.com)  
[new.abb.com/control-rooms](http://new.abb.com/control-rooms)

All rights to other trademarks  
reside with their respective owners.

We reserve the right to make technical  
changes to the products or modify the  
contents of this document without prior  
notice. With regard to purchase orders,  
the agreed particulars shall prevail.  
ABB does not assume any responsibility  
for any errors or incomplete information  
in this document.

We reserve all rights to this document  
and the items and images it contains.  
The reproduction, disclosure to third parties  
or the use of the content of this document  
– including parts thereof – are prohibited  
without ABB's prior written permission.

Copyright© 2023 ABB  
All rights reserved