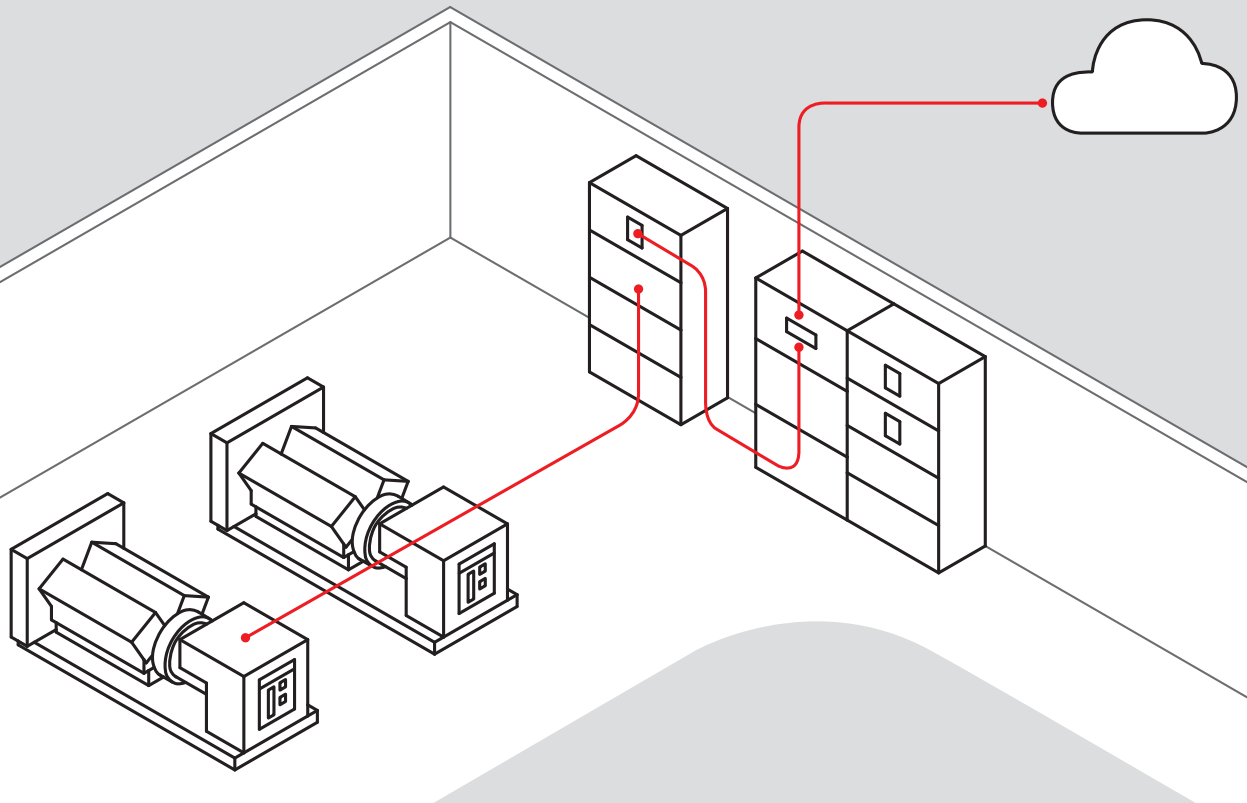


CONNECTIVITY

Communication functions through Ekip architecture

Full solutions portfolio



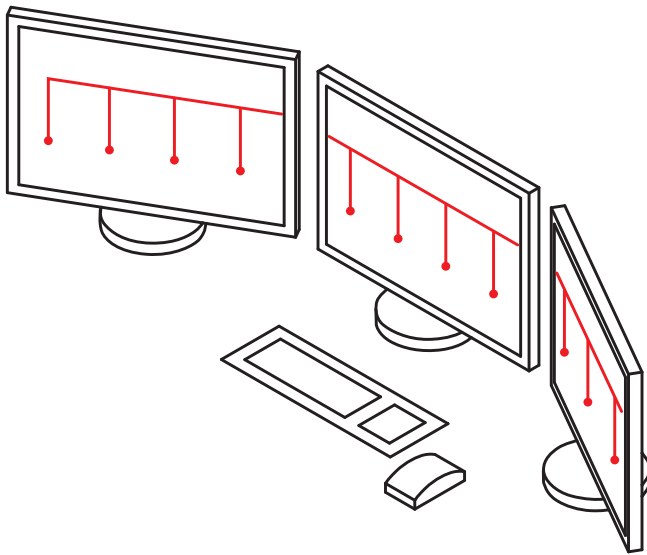
From 16 to 6300A ABB provides a full-solution portfolio in terms of supervision, control and automation, thanks to its advanced Ekip Com architecture.

Due to the growing use of automation and supervision systems for plants and industrial processes, the implementation of communication systems for the control and supervision of electrical plants through the data available in the circuit breakers is becoming more and more important.

Morover, being connected has become a crucial challenge in our days, marked by the incoming Industry 4.0 trend. Internet of Things, microgrids and big data are the key features to make this challenge a real opportunity.

Supporting the most common industrial communication protocols and the cloud platform, ABB devices (Tmax XT, Emax 2 and Ekip UP*) equipped with the Ekip Com architecture provide a complete solution in terms of supervision, control and automation.

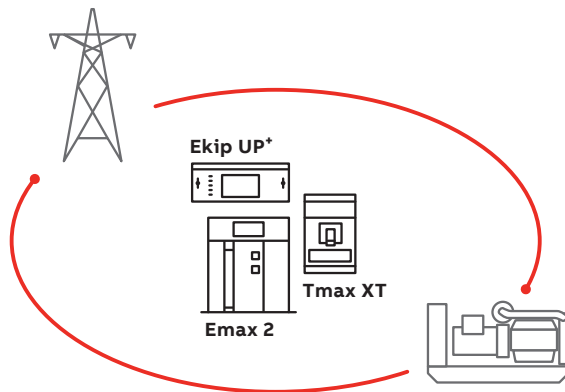
Dismissing the idea that circuit breakers are just stand alone devices only suitable for protection, ABB started to consider them as key elements of the grid, able to provide the users with valuable information and to implement advanced logic for controlling and automation.



Highlights

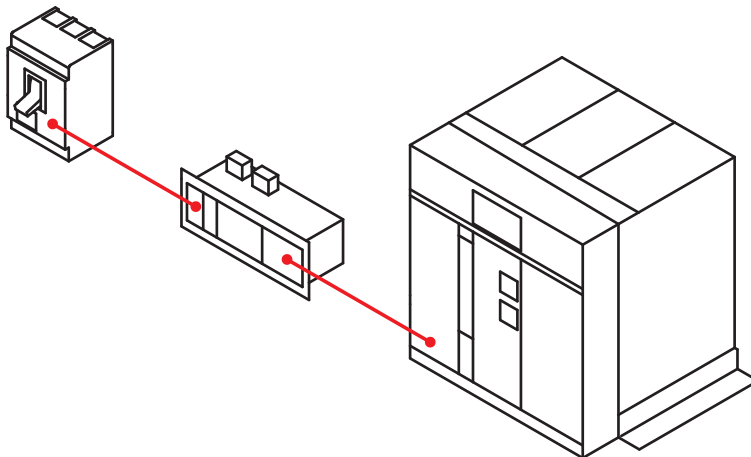
Supervise your network

Thanks to the advanced trip unit and the full package of Ekip Com Modules, Ekip devices give the chance of a complete supervision of the network through a perfect integration into SCADA systems.



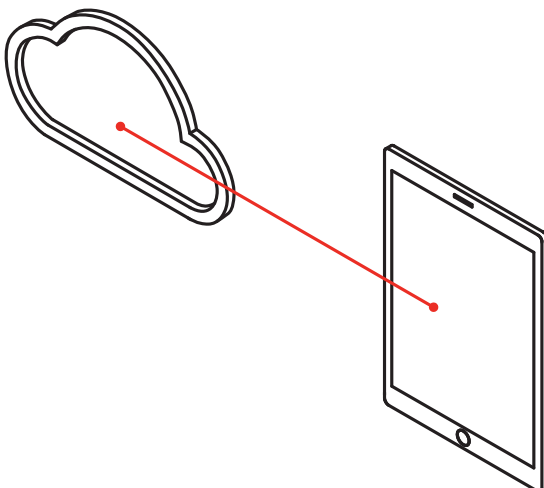
Control and automation as a must

Not only vertical communication, but also horizontal. Ekip Com architecture is able to fully replace a PLC inside a grid. The implementation of automation logics and the unlocking of advanced features, ensure continuity of service to the grid and stability during island mode.



Think as a system

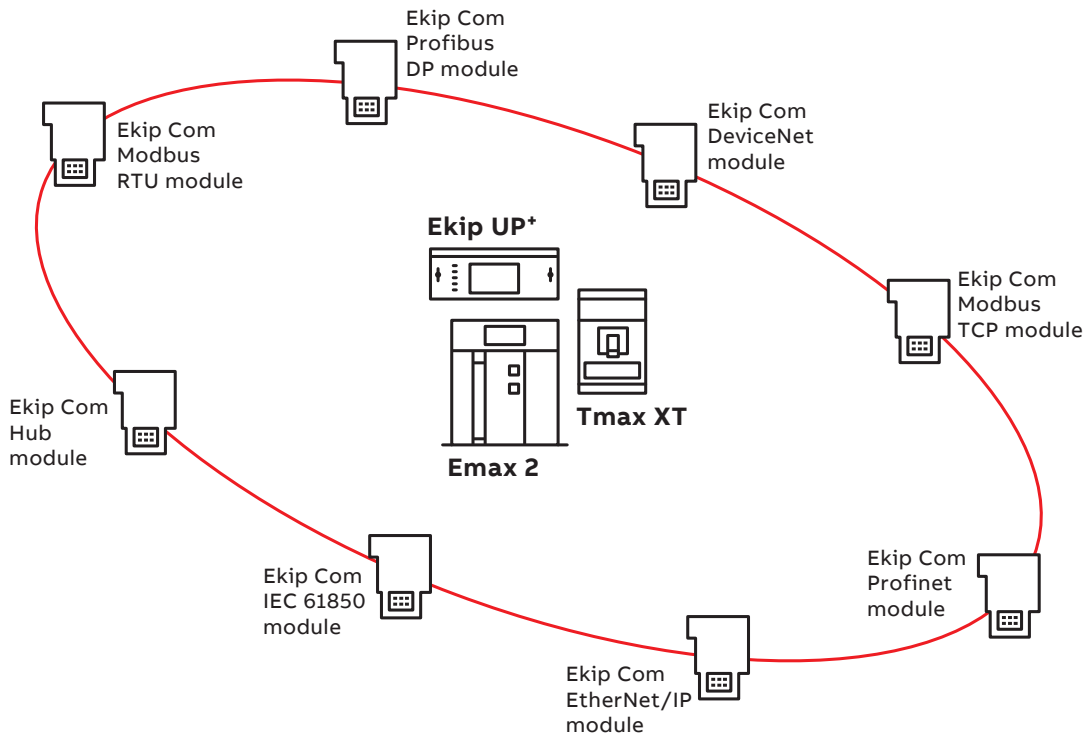
One single consistent solution from 16 to 6300A that – thanks to the IEC61850 module – allows the communication between low-voltage and medium-voltage, implementing once again the perfect integration into the microgrid world.



Available data anytime and everywhere

The Ekip Com architecture allows a truly plug&play solution for the Internet of Things connectivity. A direct IoT connectivity for all the range, from 16 to 6300A without the need of external gateway, completely embedded and really cost effective. Supervising and bringing only the relevant information that the user needs to know, has never been so simple.

The architecture



Ekip Com architecture embeds inside the circuit breakers the 7 most common industrial communication protocols and a gateway module for cloud connectivity:

For fieldbuses:

- Ekip Com Modbus RTU module
- Ekip Com Profibus DP module
- Ekip Com DeviceNet module.

For Ethernet networks:

- Ekip Com Modbus TCP module
- Ekip Com Profinet module
- Ekip Com Ethernet/IP module
- Ekip Com IEC 61850 module
- Ekip Com Hub module.

Ekip Com modules are the communication interface that allows the trip unit to be directly connected to the fieldbus or the Ethernet network.

—
01
Tmax XT

02
Emax 2

03
Ekip UP+



ABB SACE
A division of ABB S.p.A.
L.V. Breakers
Via Pescaria, 5
24123 Bergamo - Italy
Phone: +39 035 395.111
Fax: +39 035 395.306-433
abb.com/lowvoltage

We reserve the right to make technical changes or modify the contents of this document without prior notice. With regard to purchase orders, the agreed particulars shall prevail. ABB does not accept any responsibility whatsoever for potential errors or possible lack of information in this document.

We reserve all rights in this document and in the subject matter and illustrations contained therein. Any reproduction, disclosure to third parties or utilization of its contents – in whole or in parts – is forbidden without prior written consent of ABB.
Copyright © 2017 ABB
All rights reserved