

MEDIUM VOLTAGE PRODUCT

BZ 00

Protection summary current transformer



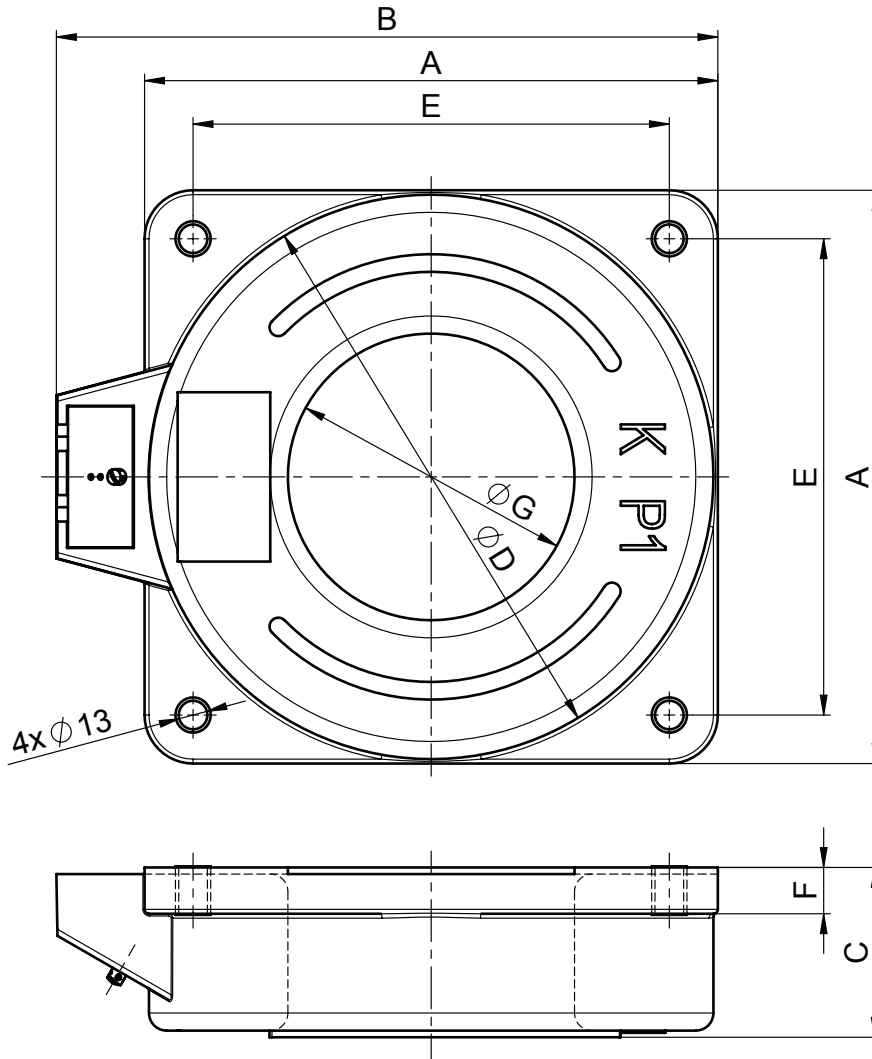
Technical parameters	Value		
Transformer type (according to size)	BZ 00-13	BZ 00-16	BZ 00-30
Insulating voltage	0.6 kV		
Testing AC voltage	3 kV		
Rated transformer ratio	10/ min. 0.08 A		
Rated burden	15 Ω		
Rated frequency	50 Hz		
Weight	11 kg	13 kg	22 kg

Description

Protection summary current transformers type BZ 00 are used for the release of highly sensitive protection relays in case of an earth connection, in a three-phase powering system with an insulated zero point. They are designed for an indoor installation, both in normal and severe climatic conditions. BZ 00 transformers are cable type, with a single-core design encasted in epoxy resin. Four clamping bases serve to fix the transformer to the frame. Internal diameter enables powering cables or insulated three-phase busbars with 130 mm, 160 mm and 300 mm to be put connected through. Magnetic circuit uses alloys with a high value of permeability to ensure a sensitive and precise measurements of 3-phase symmetry.

Dimensional Drawing

Note: Unless explicitly stated, all dimensions and tolerances are valid with generally defined tolerance 0,6 %. Tolerance applies to the all geometric characteristics including form variation of the products. All dimensional references representing a diameter or radius of a circles are defined as the minimal value of a real dimension.



Drawing number	Type	A	B	C	D	E	F	G
1VL4600843R0101	BZ 00-13	260	300	77	256	216	21	130
1VL4600844R0101	BZ 00-16	290	330	77	286	240	21	160
1VL4600845R0101	BZ 00-30	410	470	85	430	350	27	300

CONTACT US

ABB s.r.o.
ELDS Brno
Videnska 117, 619 00 Brno,
Czech Republic
Tel.: +420 547 152 021
+420 547 152 854
Fax: +420 547 152 626
E-mail: kontakt@cz.abb.com

NOTE

We reserve the right to make technical changes or modify the contents of this document without prior notice. With regard to purchase orders, the agreed particulars shall prevail. ABB does not accept any responsibility whatsoever for potential errors or possible lack of information in this document.

We reserve all rights in this document and in the subject matter and illustrations contained therein. Any reproduction, disclosure to third parties or utilization of its contents - in whole or in parts - is forbidden without prior written consent of ABB.

Copyright© 2020 ABB
All rights reserved