
CATALOG

Superstrut® metal framing system

Metal framing channel and accessories



**Thomas & Betts is now ABB
Installation Products, but our long
legacy of quality products and
innovation remains the same. From
connectors that help wire buildings
on Earth to cable ties that help put
machines in space, we continue to
work every day to make, market,
design and sell products that
provide a smarter, safer and more
reliable flow of electricity, from
source to socket.**

Table of contents

004–117	Superstrut® metal framing system
118–127	Surface raceway and lighting systems
128–139	Special metals and finishes
140–163	Technical information
164–165	Appendix
166–167	Notes

Superstrut® metal framing system

Overview

New Trivalent GoldGalv® finish is RoHS compliant

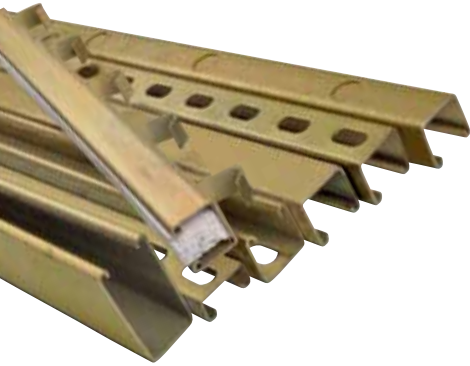
ABB is proud to introduce the new and improved Trivalent GoldGalv® finish. GoldGalv® finish is a combination of .5 mils electro-plated zinc and a gold Trivalent Chromium finish.

- **Gold Trivalent Chromium Finish** — The new GoldGalv® finish features a Trivalent Chromium formulation that provides all the features and protection of Hexavalent Chromium (CR VI) without the use of this chemical compound. Hexavalent Chromium is restricted by some standards such as the European Union directive on the restriction of the use of certain hazardous substances in electrical and electronic equipment (RoHS).
- **RoHS Compliant** — One great feature for the new Trivalent Chromium formulation is RoHS compliance. Because Hexavalent Chromium is a substance that is restricted by RoHS, moving away from a Hexavalent formulation to the new Trivalent formulation will make the performance of GoldGalv® coating available to customers affected by RoHS and other standards like RoHS around the world.
- **Trivalent GoldGalv® Finish Is OSHA Safe** — The Hexavalent formulation of the GoldGalv® finish is safe with regard to the revised 2006 OSHA standard. This new Trivalent formulation of the GoldGalv® finish does not contain any Hexavalent Chromium and therefore does not fall under the scope of the OSHA standard at all. As a result, the new Trivalent GoldGalv® finish, just like the Hexavalent GoldGalv® finish, is OSHA compliant.
- **ASTM B633 Specification** — The improved GoldGalv® finish is applied in compliance with ASTM B633 coating, the same standard as used previously. This standard outlines electro-deposited coatings of zinc on steel.



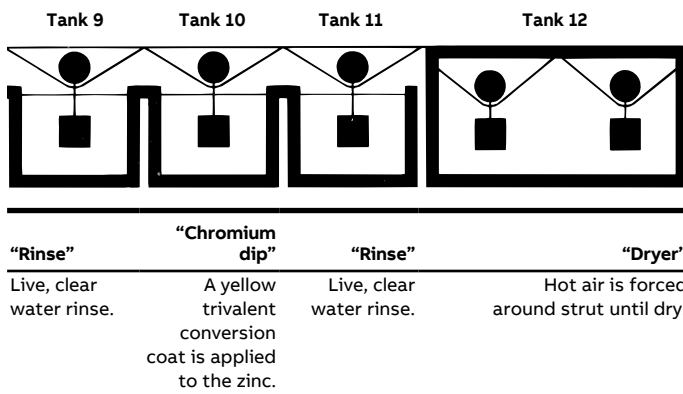
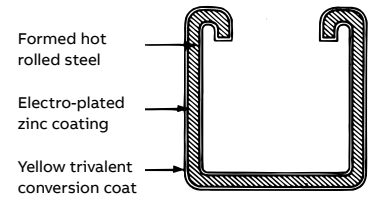
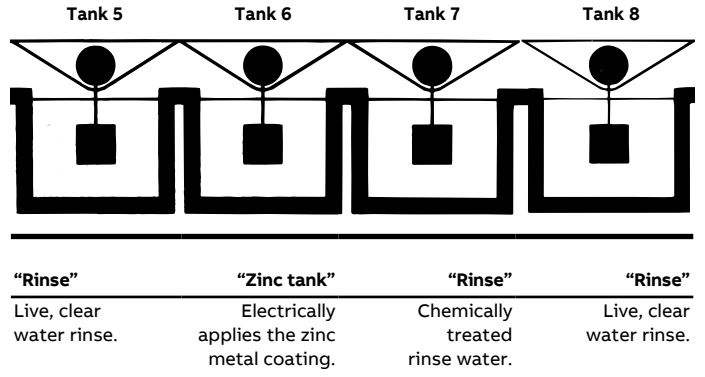
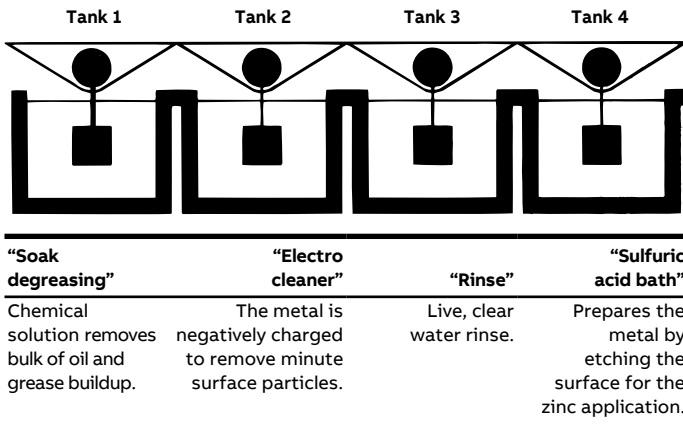
Superstrut® metal framing system

Finishes

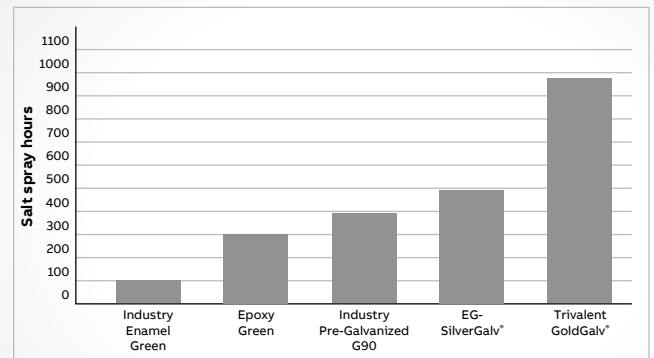


GoldGalv®

The standard GoldGalv® finish is made up of a multi-step zinc electrogalvanizing process. The Trivalent Chromium finish is applied over the zinc, producing a chemically bonded non-porous barrier for protection from moisture and air. The .5 mil electro-plated zinc and gold Trivalent Chromium finish provides all of the features and protection of Hexavalent Chromium without the use of the chemical.



Metal framing channel finish



Corrosion-Resistant Testing, ASTM B117

Superstrut® SilverGalv® Overview

Outperforms the competition

The Superstrut® SilverGalv® finish is a post-fabrication, 12-step electrogalvanizing process that applies a clear conversion coat over .5 mils of zinc. This process provides a strong, cohesive molecular bond that locks out moisture and superior corrosion resistance over standard G90 pre-galvanized channel.

- **No more white rust** — With pre-galvanized struts, a common quality issue is the formation of white rust on the zinc finish. With SilverGalv®, a clear conversion coat is applied over the zinc to seal it and stop the formation of white rust.
- **Strong abrasion resistance** — The SilverGalv® finish won't chip or peel like a green painted strut product. It stands up to rough handling.
- **Superior corrosion protection** — One hallmark of the SilverGalv® finish is the superior corrosion protection it provides. In the ASTM B117 salt spray test, the new SilverGalv® finish provided improved protection as compared to painted finishes or G90 Pre-Galvanized. This outstanding corrosion protection means more versatile installations and more service life for SilverGalv® finished products.
- **Punched holes and cut ends are protected** — Unlike a pre-galvanized finish where bare steel holes and cuts have no corrosion protection, SilverGalv® protects every portion of the strut. Because the SilverGalv® finish is applied after fabrication, all punched holes and cut ends share a consistent quality with the rest of the material — even after cutting or fabricating. SilverGalv® will continue to protect with its sacrificial zinc process.

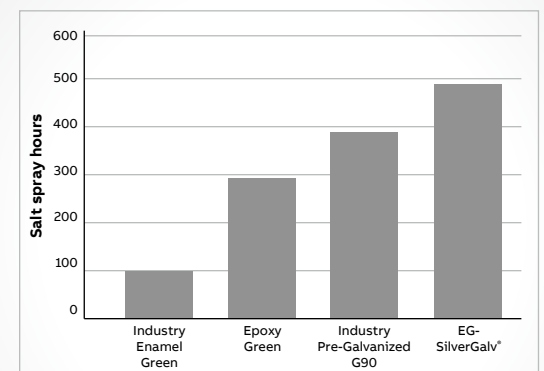
- **Paintable surface** — The new SilverGalv® finish provides a non-porous and non-crystalline surface. Not only does this feature provide enhanced corrosion protection, but also provides an excellent bond for the paint of your choice.
- **Clean finish** — SilverGalv® ensures a finished product that leaves no residue on your hands. In the SilverGalv® process, a zinc finish is applied after fabrication. As a result, all of the oil and grime that accumulates during manufacturing gets thoroughly cleaned off during the plating process.
- **Great electrical conductivity** — Unlike paint or enamel, the SilverGalv® surface offers a minimum of electrical resistance, so electrical applications are easily grounded when grounding is needed.

Complete offering of SilverGalv® fittings and accessories

Mismatched strut assemblies are a thing of the past with Superstrut SilverGalv. With a complete line of channel, hardware, fittings, hangers and pipe straps, all components have the same electrogalvanized finish for consistent performance and uniform aesthetics.



Metal framing channel finish



Corrosion-Resistant Testing, ASTM B117

Superstrut® metal framing system

Finishes



GoldGalv®

The standard GoldGalv® finish is made up of a multi-step electrogalvanizing and zinc trivalent chromium process. The trivalent chromium finish is applied over the zinc, producing a chemically bonded non-porous barrier for protection from moisture and air. The .5 mil electro-plated zinc and gold trivalent chromium finish provides all of the features and protection of hexavalent chromium without the use of the chemical.

SilverGalv® (Suffix EG)

Often referred to as “zinc plated” or “electroplated zinc,” the steel and .5 mils of zinc are bonded by an electrolysis process. This is the identical process used in the Superstrut GoldGalv® finish without the numerous benefits of the gold-colored trivalent chromium conversion coat (see GoldGalv® finish for more information). Electrogalvanizing is most commonly applied to small fittings, hardware and threaded products.

Green or white urethane powder coated (Suffix GR or WH)

Urethane powder resins are applied electrostatically to the steel after fabrication. Once the material is completely covered with the powder-form urethane, it proceeds through a 400° baking process for ten minutes, creating a chemical bond. This results in a minimum of 1.5 mil thickness of urethane coating, providing excellent resistance to chipping or peeling.

Pregalvanized (Suffix PG)

A zinc coating is applied by hot-dipping the steel coil at the mill prior to fabrication. Once the material is worked by roll-forming, cutting or punching, minimal protection is provided for raw edges. This weakness is typical with precoated material and affects the channel section around holes, extreme ends and the edges of the “U” shape lips. Superstrut pregalvanized material is in conformance with ASTM A-525/G-90 specification standards, representing 0.90 ounces of zinc per square foot of steel. This finish is often referred to as “hot-dipped mill galvanized” or “mill galvanized.”

Hot-dipped galvanized (Suffix HDG)

The material is zinc coated after fabrication, providing total product protection on all surfaces. The fabricated channel or fitting is suspended and then dipped into tanks of hot zinc for a prolonged period, creating a coherent bond. The result is superior corrosion resistance as compared to pregalvanized material. Hot-dipped galvanizing is not recommended for threaded products, because the thickness of the zinc coating will often disrupt the threads. Superstrut hot-dipped galvanized is in conformance with ASTM Specifications A-123 (formerly A-386) and A-153. Superstrut channels maintain a minimum 1.5 ounces of zinc per square foot of steel or 2.5 mils (ASTM A-123, Thickness Grade 65). This finish is also referred to as “hot-dipped galvanized after fabrication.”

Superstrut® metal framing system

Finishes (continued)

PVC coated (Suffix PVC)

A polyvinyl chloride (PVC) plastic coating is fused to the channel, fitting or accessory after fabrication by immersing the part in fluidized PVC tanks. The fused-melt mixed powder PVC coating thickness is 15 mils (.015") plus or minus five mils. PVC material is a thermoplastic and will soften in high temperature. An inherent weakness with PVC coatings occurs when field alterations are applied, such as cutting or drilling. These acts disrupt the sealed PVC product and warrant field touch-up. ABB cannot be held responsible for field-altered PVC coated products.

Copper plated ("T" inserted as the second digit of the part number; Example: CTL-710-2)

Plain steel proceeds through a series of rinse tanks to clean the material surface. Once cleaned, the fabricated part is etched by dipping into an acid pickle bath to prepare the surface for adhesion. Copper is electrically applied by submerging in a copper bath. To seal the finish, the product continues to a sealer tank and is then dried by forced hot air.

Black (Suffix B)

A black finish is raw steel with only a light oil finish as supplied by the steel manufacturer. There is no protection against red rust.

Stainless steel (Suffix SS)

Superstrut channel is supplied in type 304 stainless steel when required. Type 316 stainless steel may be available upon request.

Aluminum (Suffix AL)

Superstrut channel and hardware are available in aluminum.

Warning: Load tables, charts and design criteria provided in this catalog are intended as guides only. Selection of proper product, installation intervals, erection and placement are the responsibility of the user.

Superstrut® products are intended to be used for the support and bracing of fixtures, cable, pipe and conduit. Improper use or installation may result in injury to persons or damage of property.

Material and finish specifications are subject to change without notice.



Channels

Standard channels



Material

Channels are cold formed from hot-rolled pickled and oiled strip steel.

Material thickness

- All Series 1200: 12 gauge material
- All Series 1400: 14 gauge material

Standard lengths

- Standard lengths for channel are 10 ft. and 20 ft.
- Standard length tolerance $\pm \frac{1}{8}$ ".
- Shorter lengths are available at a small cutting charge.

GoldGalv® hardware finish is standard for all Superstrut products. This is a multi-process finish of electro-plated zinc, followed by gold colored trivalent chromium to give excellent corrosion resistance and superior paint base. See page 7 for a complete description of the GoldGalv® hardware finish. GoldGalv® hardware will be furnished if no other finish is specified.

—
01 A-1200
 Channel available in Solid, Half Slot, Punched, Slotted and Knockout configurations.
 Wt./Ft. 1.90 lbs.

—
02 B-1200
 Channel available in Solid, Half Slot, Punched and Slotted configurations.
 Wt./Ft. 1.28 lbs.

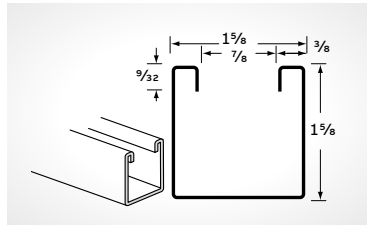
—
03 C-1200
 Channel available in Solid, Half Slot and Punched configurations.
 Wt./Ft. 1.70 lbs.

—
04 E-1200
 Channel available in Solid, Half Slot and Punched configurations.
 Wt./Ft. 2.47 lbs.

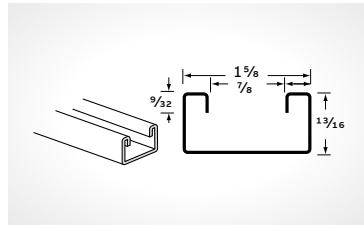
—
05 H-1200
 Channel available in Solid, Half Slot and Punched configurations.
 Wt./Ft. 3.05 lbs.

—
06 A-1400
 Channel available in Solid, Half Slot, Punched, Slotted and Knockout configurations.
 Wt./Ft. 1.40 lbs.

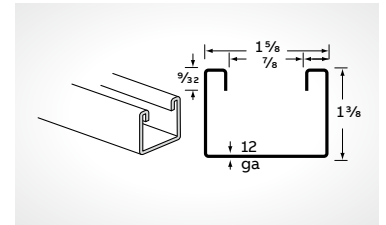
—
07 B-1400
 Channel available in Solid, Half Slot, Punched and Slotted configurations.
 Wt./Ft. 0.90 lbs.



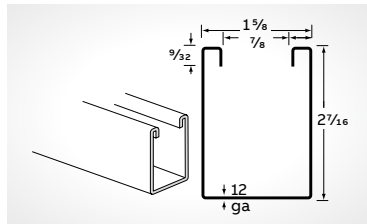
01



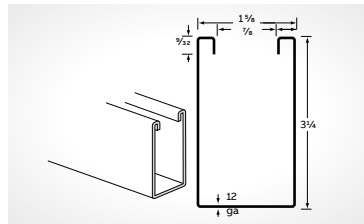
02



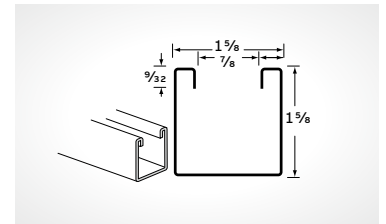
03



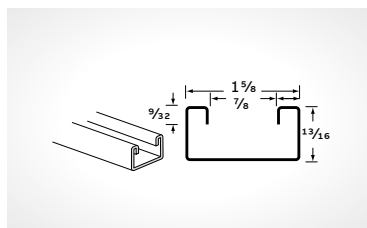
04



05



06

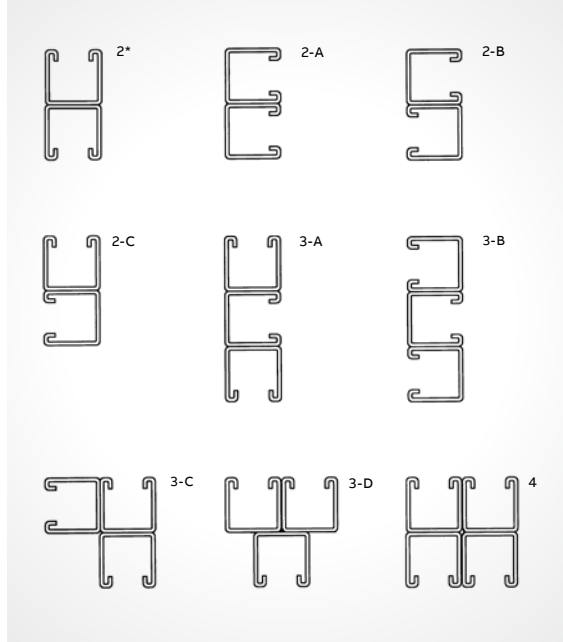


07

Superstrut® channels

Welding combinations & hole configurations

* "A" and "B" Series back-to-back combinations are joined using ABB's steel rivet joining process. The riveted channel is offered in standard GoldGalv®, stainless steel, painted, pre-galvanized and hot-dip galvanized finishes.



Welding combinations

All Superstrut® Channels are available in a variety of combinations — some are shown here. Multiple channels are spot welded on 3" centers.

How to order

10 and 20 ft. lengths — steel. Special lengths may be ordered. Replace the 3 last digits of the regular channel catalog number with the designation of the desired combination.

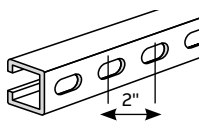
Examples:

- Two A-1200 channels back to back are ordered as A-1202.
- Two A-1200 channels back to side are ordered as A-1202-C.

Specify desired finish or material*.

Hole configurations

Half-slot channel

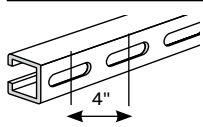


Cat. no.	Dimensions (in)	GA	STD CTN
A-1200-HS	1 5/8 x 1 5/8	12	*
B-1200-HS	1 5/8 x 1 3/16	12	*
C-1200-HS	1 5/8 x 1 3/8	12	500
E-1200-HS	1 5/8 x 2 7/16	12	500
H-1200-HS	1 5/8 x 3 1/4	12	*
A-1400-HS	1 5/8 x 1 5/8	14	*
B-1400-HS	1 5/8 x 1 3/16	14	500

5/16" x 1 1/8" slots on 2" centers.

* Standard lengths 10 ft. and 20 ft. for standard cartons. Please consult your local ABB representative.

Slotted channel

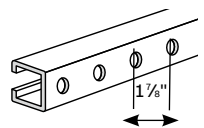


Cat. no.	Dimensions (in)	GA	STD CTN
A-1200-S	1 5/8 x 1 5/8	12	*
B-1200-S	1 5/8 x 1 3/16	12	*
A-1400-S	1 5/8 x 1 5/8	14	*
B-1400-S	1 5/8 x 1 3/16	14	*

7/16" x 3" slots on 4" centers.

* Standard lengths 10 ft. and 20 ft. for standard carton. Please consult your local ABB representative.

Punched channel

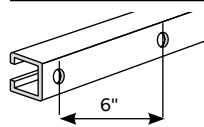


Cat. no.	Dimensions (in)	GA	STD CTN
A-1200-P	1 5/8 x 1 5/8	12	500
B-1200-P	1 5/8 x 1 3/16	12	500
H-1200-P	1 5/8 x 1 3/16	12	500
A-1400-P	1 5/8 x 1 1/2	14	500
B-1400-P	1 5/8 x 1 3/16	14	500

5/16" holes on 1 7/8" centers.

Available in 10 & 20 ft. lengths.

Channel with knockouts



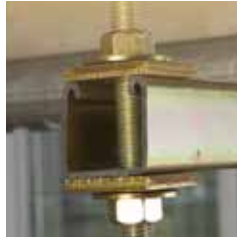
Cat. no.	Dimensions (in)	GA	STD CTN
A-1200-KO	1 5/8 x 1 5/8	12	*
A-1400-KO	1 5/8 x 1 5/8	14	*

KO for 1/2" conduit.

Please consult your local ABB representative. Standard finish – GoldGalv® brand.

Threaded products and hardware

Trapnut® strut fastener



Standard method using nuts and washers.



New method using Trapnut® strut fastener.

The unique scissor action of the Trapnut® Strut Fastener closes at any desired position on the threaded rod. Once closed, precision threads trap the threaded rod for a sturdy hold that can be adjusted up or down for fine-tune positioning. While the versatile Trapnut has a locking pin that holds it in the desired position, it can also be removed and reused.

Unlike a hex nut, there is no need to thread the Trapnut® from either end of the rod, saving valuable time on the job. While the Trapnut® strut fastener is a time-saver for new construction, it is invaluable for retro-fit applications. Rather than disassembling an existing trapeze to run additional conduit above it, the Trapnut® fastener can be clamped between the existing trapeze and the beam clamp for a speedy retro-fit solution. It's ideal for applications where the rod ends are not accessible.

The Trapnut® fastener has a sturdy steel construction that is load bearing, so you can be confident of a solid installation. And, the Trapnut® fastener functions as a hex nut, square washer and flat washer combined, so there are fewer parts to keep up with on the job.



01



02



03



04

Easy to install

1. Hold in the open position.

- No need to thread the Trapnut® fastener from either end of the rod — saving valuable time
- Perfect for retro-fit applications where the rod ends are not accessible

2. Insert the bottom plate on the rod and close the top plate.

- Precision threads trap the threaded rod for a sturdy hold that can be adjusted up or down for fine-tune positioning
- Functions as a hex nut, square washer and flat washer combined

3. Press the pin with pliers.

- Locking pin holds it in the desired position
- Can be removed and reused

4. Tighten to the desired position with pliers.

- Can be adjusted up or down for fine-tuned positioning
- Sturdy steel construction that is load bearing
- Sized to provide custom fit for either 1 5/8" or 1 1/2" strut systems

Trapnut® strut fastener

Cat. no.	Description	Size (in)	Design load (lbs)	STD CTN
H 122 1/4	1/4" GoldGalv®	1/4	150	50
H 122 3/8	3/8" GoldGalv®	3/8	590	50
H 122 1/2	1/2" GoldGalv®	1/2	1,080	50
H 122 1/4 EG	1/4" SilverGalv®	1/4	150	50
H 122 3/8 EG	3/8" SilverGalv®	3/8	590	50
H 122 1/2 EG	1/2" SilverGalv®	1/2	1,080	50
H 122 1/4 SS6	1/4" Type 316 Stainless Steel	1/4	150	50
H 122 3/8 SS6	3/8" Type 316 Stainless Steel	3/8	590	50
H 122 1/2 SS6	1/2" Type 316 Stainless Steel	1/2	1,080	50



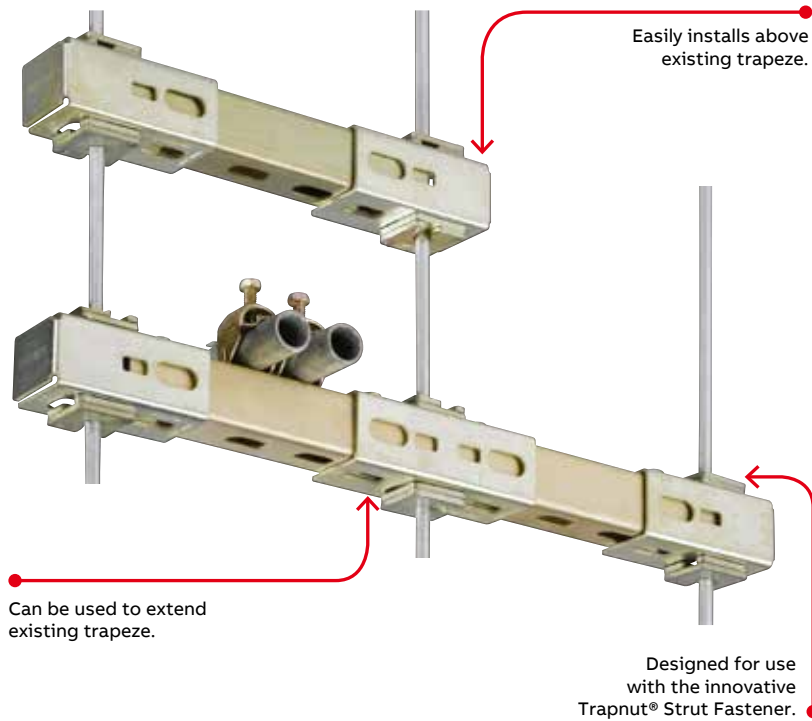
H 122 3/8 Trapnut® Strut Fastener GoldGalv®



H 122 3/8 EG Trapnut® Strut Fastener SilverGalv®

Threaded products and hardware

Trap-Eze™ connector

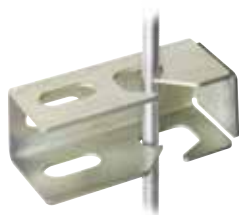


Handle retrofit Trapeze applications with ease!
 The innovative Trap-Eze™ connector changes a time-consuming retrofit trapeze application into a streamlined process. Using a Trapnut® strut fastener, the new Trap-Eze™ connector can be easily installed above or to the side of an existing assembly, eliminating the need to disassemble and reassemble the trapeze. It is designed for use with shorter strut lengths that can vary in length by as much as an inch, so the strut can be rough cut versus labor-intense precision cuts.

- Easily installs above or to the side of an existing assembly, eliminating the need to disassemble and reassemble the trapeze
- Connectors can be reused upon disassembly of a trapeze
- Designed for either 3/8" and 1/2" threaded rod
- Designed for use with the innovative Trapnut® Strut Fastener, which can take up to 43% less time than standard nuts and washers on retrofit trapeze applications
- View window provides safety zone for strut length



View window provides strut length safety zone for rough cuts versus precision cuts.



Unique safety slot maintains bracket position on threaded rod and prevents disengagement of the trapeze system.

Square washer

	Cat. no.	Bolt size (in)	STD CTN
	AB-241-1/4	1/4	100
	AB-241-5/16	5/16	100
	AB-241-3/8	3/8	100
	AB-241-1/2	1/2	100
	AB-241-5/8	5/8	100
	AB-241-3/4	3/4	50

Trap-Eze™ connector

Cat. no.	Description	STD CTN
For Superstrut® or other 1 1/2" Strut		
AB221	Trap-Eze™ end connector GoldGalv®	20
AB222	Trap-Eze™ mid connector GoldGalv®	10
AB221EG	Trap-Eze™ end connector SilverGalv®	20
AB222EG	Trap-Eze™ mid connector SilverGalv®	10
For 1 1/2" Kindorf channels		
B998	Trap-Eze™ end connector Galv-Krom®	20
B999	Trap-Eze™ mid connector Galv-Krom®	10
B998EG	Trap-Eze™ end connector SilverGalv®	20
B999EG	Trap-Eze™ mid connector SilverGalv®	10

Located square washer

	Cat. no.	Bolt size (in)	STD CTN
	AB-241L-1/4	1/4	100
	AB-241L-5/16	5/16	100
	AB-241L-3/8	3/8	100
	AB-241L-1/2	1/2	100
	AB-241L-5/8	5/8	100

Threaded products and hardware

Channel nuts

Superstrut® channel nuts are manufactured from mild steel and are case hardened.

Design data

Superstrut® self-aligning channel nuts are designed to provide resistance to pull out and resistance to side slip in excess of the full strength of the channels with which they are used. The extreme resistance to side slip results from the unique design of the alternate teeth, spaced and designed to develop a wedging action that increases with pressure or load.

Load ratings for ¼", ⅜" and ½" strut nuts used in superstrut®

Channel nut sizes (in)	Slip test rating	Pull test rating
¼	300	500
⅜	750	1,000
½	1,200	2,000

If connections will be subjected to dynamic or seismic loading conditions, contact the factory for design assistance.

1. All ratings have safety factor of 3 applied.
2. Load ratings are for Static Applications.

UC-100 universal cone nut

Eliminates the inventory and installation hassles of conventional spring nuts. Fits all 1½" channel, regardless of depth, with a simple twist of your thumb. Pliable nylon cone secures the nut in place through the entire range of construction site temperatures.

Screw threads

Thread size (in)	Threads per inch	Design torque (ft-lbs)
¼	20	½
⅜	16	13
½	13	50

Standard finish – GoldGalv®, unless otherwise stated.

All threaded products are American Standard thread, free fit class 2. GoldGalv® hardware finish is standard for all Superstrut® products. This is a multi-process finish of electro-plated zinc, followed by gold-colored trivalent chromium to give excellent corrosion resistance and a superior paint base. See pages 4-5 for a complete description of the GoldGalv® hardware finish.

Note: Standard Spring and Springless Nuts are supplied with a silver electro-galvanized (EG) finish. These items are not visible in a gold system and are universal with other systems' finishes and colorations.

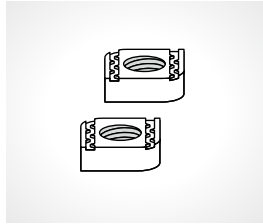


Threaded products and hardware

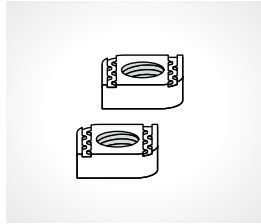
Nuts, washers & screws



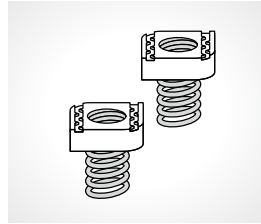
01



02



03



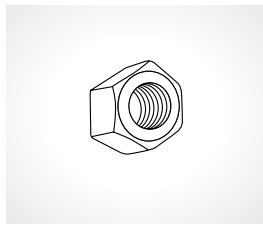
04



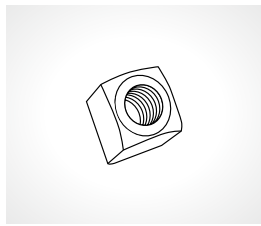
05



06



07



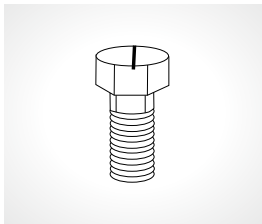
08



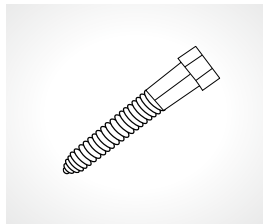
09



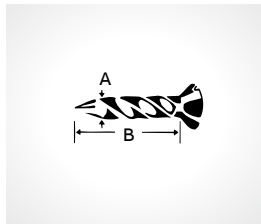
10



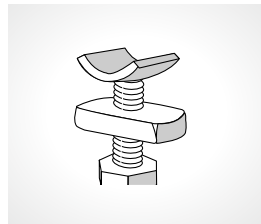
11



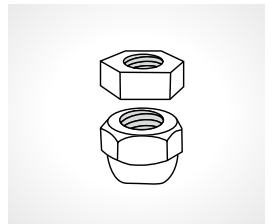
12



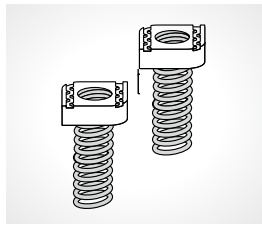
13



14



15



16



17

01 A-100 regular spring nut
 Sizes: 1/4", 3/16", 3/8", 1/2", 5/8", 3/4" & 7/8"
 Nut is square over 1/2" size.
 For all "A" and "C" series channel and inserts.

02 AB-100 springless nut
 Sizes: 1/4", 3/16", 3/8", 1/2", 5/8" & 3/4"
 Nut is square over 1/2" size.
 For use with all channels.
 Silver electroplated finish.

03 AC-100 springless nut
 Sizes: 1/4", 3/8", 1/2", 5/8" & 3/4"
 Nut is square over 1/2" size.
 For all "A", "C", "E" and "H" series channel and inserts.

04 B-100 short spring nut
 Sizes: 1/4", 3/16", 3/8" & 1/2"
 Nut is square over 1/2" size.
 For all "B" series channel and inserts.

05 CM-100 nylon cone nut
 Sizes: 1/4", 3/8" & 1/2"
 For all 1 1/2" channel.
 * Will not fit "B" series channel.
 GoldGalv® finish

06 E-142 hex head cap screw
 Sizes: 1/4" x 1", 1/4" x 1 1/2", 3/8" x 1", 3/8" x 1 1/2", 1/2" x 1 3/4" & 1/2" x 1 1/2"
 See price sheet for additional sizes.

07 E-145 standard hex nut
 Sizes: 1/4", 3/8", 1/2", 5/8", 3/4", 7/8" & 1"
 GoldGalv® finish.

08 E-146 standard square nut
 Sizes: 1/4", 3/16", 3/8", 1/2" & 5/8"
 GoldGalv® finish.

09 E-147 flat steel washer
 Sizes: 1/4", 3/16", 3/8", 1/2", 5/8", 3/4" & 7/8"
 GoldGalv® finish.

10 E-148 lock washer
 Sizes: 1/4", 3/8", 1/2" & 5/8"
 GoldGalv® finish.

11 E-149 slotted hex indented head machine screw
 Sizes: 1/4" x 3/4", 1/4" x 1", 3/8" x 1 1/4" & 3/8" x 1 1/4"
 —

12 E-150-S lag bolt screw
 Size: 3/8" & 1/2"
 Drill Size: 1/4" & 1 1/2"

13 E-151-D wood screw drive
 Size A: 1/4"
 Size B: 2"
 Max. Rec. Load: 100 lbs.

14 ES-142 seismic stiffener nut
 Size: ES-142-1/2 x 1 1/2"
 Bolt Dia.: 1/2"

15 ES-145 swivel nut and jam nut combinations
 Sizes: 3/8" & 1/2"
 GoldGalv® Finish.

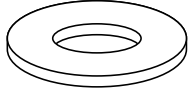
16 H-100 long spring nut
 Sizes: 3/8", 1/2" & 5/8"
 Nut is square over 1/2" size.
 For all "E" and "H" series channel and inserts.

17 UC-100 universal nylon cone nut
 Sizes: 1/4", 3/8" & 1/2"
 For all 1 1/2" & 1 3/4" channels.
 May be used with ALL strut depths. Can be used for CM-100, A-100, B-100 & AB-100 Series.
 GoldGalv® Finish.

Threaded products and hardware

Fender washer, regular spring stud nut & springless stud nut

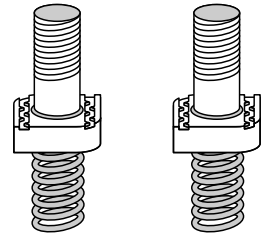
Fender washer



Cat. No.	Size (in)	Dia. (in)	Hole STD (in)	STD CTN
EF147 1/4	1/4	1 1/4	5/16	100
EF-147-3/8	3/8	1 1/2	7/16	100
EF-147-1/2	1/2	2	9/16	100

Standard finish – GoldGalv®, unless otherwise stated.

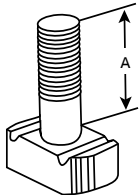
Regular spring stud nut



A-182 to A-185	Cat. No.	Bolt dia. (in)	Length A (in)	STD CTN
	A182 1/4 1	1/4	1	250
	A-182-1/4 x 1-1/4	1/4	1 1/4	250
	A-184-3/8 x 1	3/8	1	50
	A-184-3/8 x 1-1/4	3/8	1 1/4	50
	A-185-1/2 x 1	1/2	1	50
	A-185-1/2 x 1-1/4	1/2	1 1/4	50

For all "A" and "C" series channels.
Standard finish – GoldGalv®, unless otherwise stated.

Springless stud nut



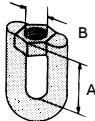
A-177 to A-180	Cat. No.	Bolt dia. (in)	Length A (in)	STD CTN
	A177 1/4 1	1/4	1	50
	A-177-1/4 x 1-1/4	1/4	1 1/4	250
	A-179-3/8 x 1	3/8	1	250
	A-179-3/8 x 1-1/4	3/8	1 1/4	50
	A-180-1/2 x 1*	1/2	1	250
	A-180-1/2 x 1-1/4*	1/2	1 1/4	250

Standard finish – GoldGalv®, unless otherwise stated.

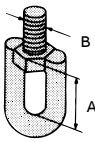
Threaded products and hardware

Swivel eyes & swivel joints

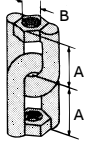
Swivel eye

	Cat. No.	A (in)	B (in)	Design load (lbs)	STD CTN
	E120 3/8	1 3/8	3/8	1,000	25
	E120 1/2	1 1/2	1/2	1,800	25

Swivel eye with stud

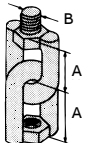
	Cat. No.	A (in)	B (in)	Design load (lbs)	STD CTN
	E130 3/8	1 3/8	3/8	1,000	25
	E130-1/2	1 1/2	1/2	1,800	25

Swivel joint

	Cat. No.	A (in)	B (in)	Design load (lbs)	STD CTN
	E122 3/8	1 3/8	3/8	1,000	25
	E122-1/2	1 1/2	1/2	1,800	10

Standard finish – GoldGalv®, unless otherwise stated.

Swivel joint with stud


	Cat. No.	A (in)	B (in)	Design load (lbs)	STD CTN
	E131 3/8	1 3/8	3/8	1,000	25
	E131-1/2	1 1/2	1/2	1,800	10

Standard finish – GoldGalv®, unless otherwise stated.

Threaded products and hardware


Coach screw rod & hanger rods

E-151 — Coach screw rod

	Cat. No.	Rod size (in)	Standard rod length (in)	STD CTN
	E-151-3/8	3/8	4, 6, 8, 10, 12	100
	E-151-1/2	1/2	4, 6, 8, 10	100

Black available upon request. Machine-threaded opposite end, carbon steel. Order by Cat. No., rod size and rod length


H104-EG hanger rod, continuous thread — SilverGalv®

	Cat. No.	Size	Weight/lbs per 100 pcs
	H104 1/4X6-EG	1/4"-20	73
	H104 1/4X10-EG		124
	H104 1/4X12-EG		148
	H104 3/8X6-EG	3/8"-16	172
	H104 3/8X10-EG		293
	H104 3/8X12-EG		348
	H104 1/2X6-EG	1/2"-13	313
	H104 1/2X10-EG		530
	H104 1/2X12-EG		648
	H104 5/8X6-EG	5/8"-11	510
	H104 5/8X10-EG		850
	H104 5/8X12-EG		1,020

Suffix indicates rod size and length.

H104 hanger rod, continuous thread — GoldGalv®




	Cat. No.	Size	Weight/lbs per 100 pcs
	H104 1/4X6	1/4"-20	73
	H104 1/4X10		124
	H104 1/4X12		148
	H104 3/8X6	3/8"-16	172
	H104 3/8X10		293
	H104 3/8X12		348
	H104 1/2X6	1/2"-13	313
	H104 1/2X10		530
	H104 1/2X12		648
	H104 5/8X6	5/8"-11	510
	H104 5/8X10		850
	H104 5/8X12		1,020

Suffix indicates rod size and length.

Threaded products and hardware

Rod coupling & conduit clamp

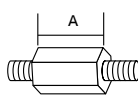
Standard rod coupling



Cat. No.	Rod size (in)	A (in)	STD CTN
H119-1/4	1/4	7/8	50
H119-5/16	5/16	7/8	50
H119-3/8	3/8	1 1/8	50
H119-1/2	1/2	1 1/4	50
H119-5/8	5/8	2 1/8	50
H119-3/4	3/4	2 1/4	50
H119-7/8	7/8	2 1/2	50
H119-1	1	2 1/4	50

Standard finish – GoldGalv®, unless otherwise stated.

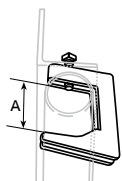
Reducing rod coupling



Cat. No.	Rod size (in)	A (in)	STD CTN
H119-1/4x3/8	1/4–3/8	1 1/2	50
H119-3/8x1/2	3/8–1/2	1 1/4	50
H119-1/2x5/8	1/2–5/8	1 1/4	50
H119-5/8x3/4	5/8–3/4	1 1/2	50
H119-3/4x7/8	3/4–7/8	1 3/4	50

Standard finish – GoldGalv®, unless otherwise stated.

U-571, U-572 conduit clamp



Cat. No.	Conduit size (in)	Max. flange thickness (in)	Dim. A (in)	STD CTN
U-571, U-572	U-571	1/2	1	25
	U-571	3/4	3/4	25
U-571	1	1/2	1 3/4	25
U-572	3/4	1 1/2	2 1/2	25
U-572	1	1 1/4	2 1/2	25
U-572	1 1/4	1	2 1/2	25
U-572	1 1/2	5/8	2 1/2	25

Standard finish – GoldGalv® brand. For attaching 1/2" thru 1 1/2" conduit to beam, channel, angle or column. Secures conduit to the support parallel or at right angles to it. 5/16" set screw, 12 ga. material.

Fittings and brackets

Series 200

Material

Superstrut® fittings and brackets are manufactured from hot rolled carbon steel.

Dimensions

The following standard dimensions apply to all fittings except as indicated on the individual drawings.

- Hole spacing: $1\frac{3}{16}$ " from end of fittings
- Hole spacing: $1\frac{7}{8}$ " centers
- Hole size: $\frac{9}{16}$ " diameter
- Material: $1\frac{5}{8}$ " wide
- Material: $\frac{1}{4}$ " thickness

Application instructions

Parts drawings illustrate a typical use for the fitting, and in many cases other uses for the part are appropriate.

Design data

Ratings vary when used with 12 or 14 gauge channel and are shown for each channel material.

GoldGalv® hardware finish is standard for all Superstrut® products. This is a multi-process finish of electro-plated zinc, followed by gold-colored trivalent chromium to give excellent corrosion resistance and a superior paint base. See pages 4-5 for complete description of the GoldGalv® hardware finish. GoldGalv® hardware will be furnished if no other finish is specified.

Nuts and bolts required

Unless otherwise noted, nuts and bolts for use with fittings and brackets should be ordered separately.

The standard bolt for the $\frac{9}{16}$ " hole is a $\frac{1}{2}$ " hex head cap screw $1\frac{5}{16}$ " long. The $1\frac{5}{16}$ " length may be used with all series channel.

Standard dimensions

- Hole spacing: $1\frac{3}{16}$ " from end
- Hole spacing: $1\frac{7}{8}$ " centers
- Hole size: $\frac{9}{16}$ " diameter
- Material: $1\frac{5}{8}$ " width
- Material: $\frac{1}{4}$ " thick

Standard finish

GoldGalv®, unless otherwise stated. Add EG suffix for SilverGalv® finish



Fittings and brackets

Series 200 (continued)

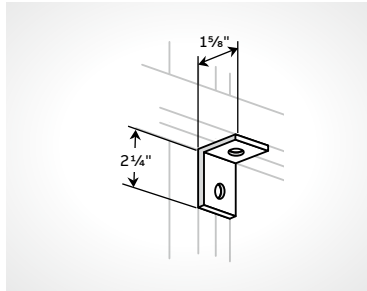
- 01 AB201
- 02 AB202
- 03 AB203
- 04 AB204
- 05 AB205
- 06 AB206
- 07 AB207
- 08 AB213
- 09 AB214
- 10 AB216
- 11 AB219
- 12 AB220

Standard dimensions

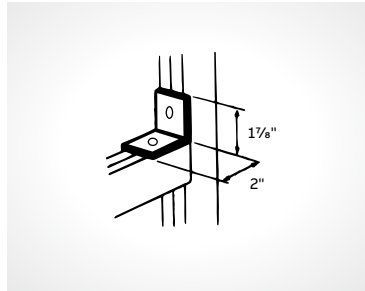
- Hole spacing: 1³/₁₆" from end
- Hole spacing: 1⁷/₈" centers
- Hole size: ⁹/₁₆" diameter
- Material: 1⁵/₈" width
- Material: ¹/₄" thick

Standard finish

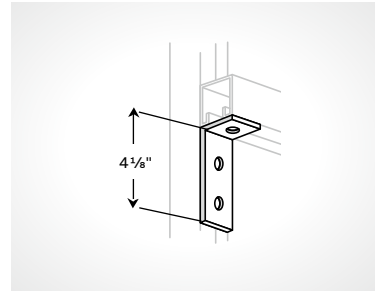
GoldGalv[®], unless otherwise stated. Add EG suffix for SilverGalv[®] finish



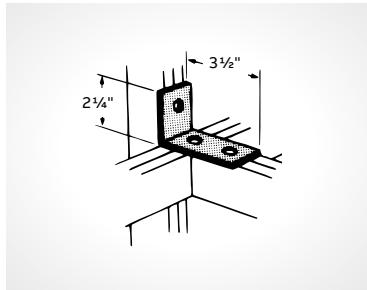
01



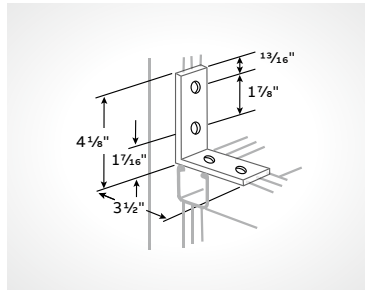
02



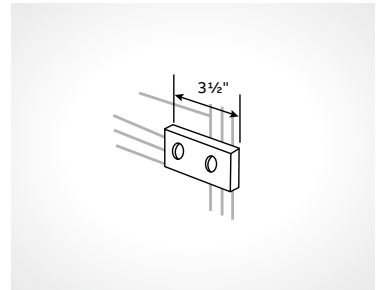
03



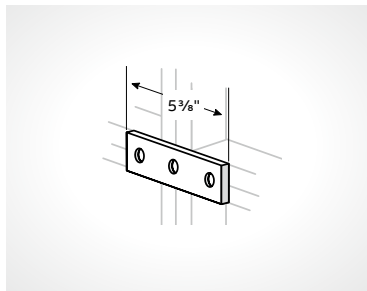
04



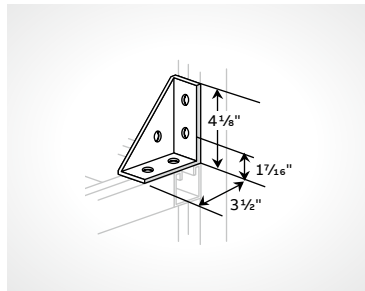
05



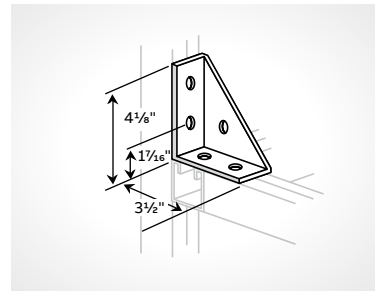
06



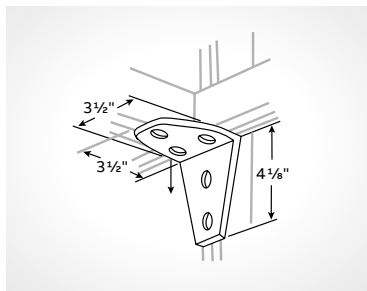
07



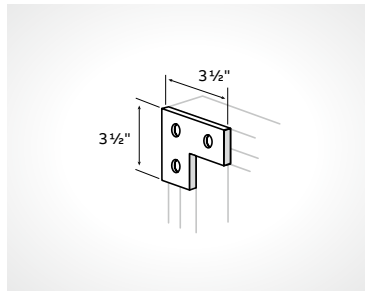
08



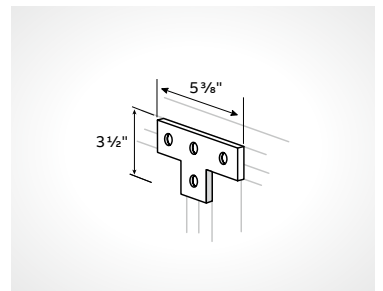
09



10



11



12

Fittings and brackets

Series 200 (continued)

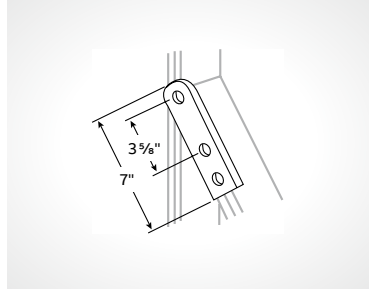
- 01 AB240
- 02 AB242
For use with either 3/8" or 1/2" hanger rod
- 03 AB252
- 04 AB253
- 05 AB254 L
- 06 AB254 R
- 07 AB255
- 08 AB257
- 09 AB260 L
- 10 AB260 R
- 11 AB261

Standard dimensions

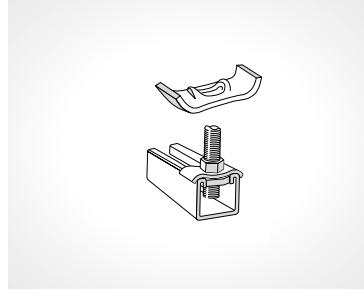
- Hole spacing: 1 3/16" from end
- Hole spacing: 1 7/8" centers
- Hole size: 9/16" diameter
- Material: 1 5/8" width
- Material: 1/4" thick

Standard finish

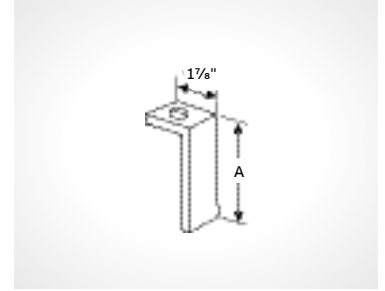
GoldGalv®, unless otherwise stated. Add EG suffix for SilverGalv® finish



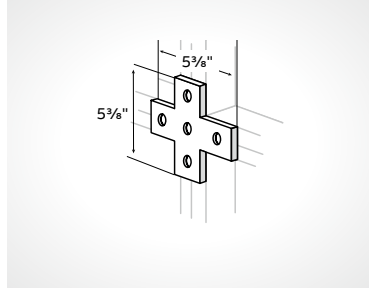
01



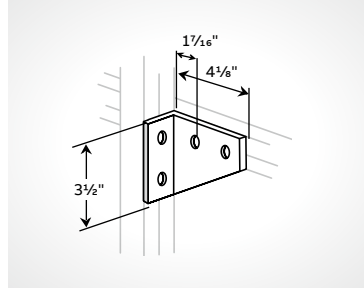
02



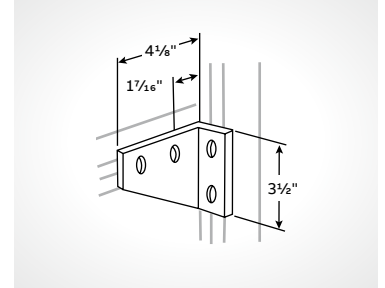
03



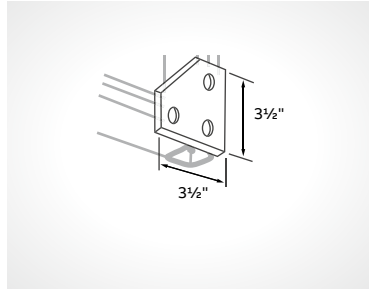
04



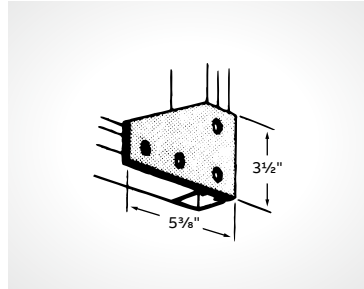
05



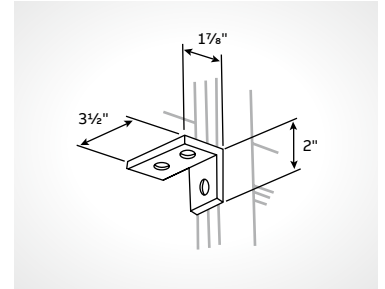
06



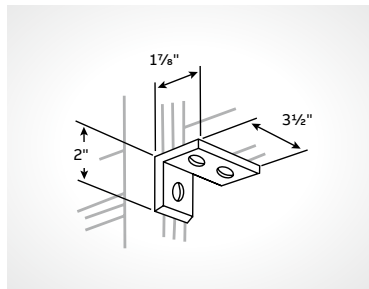
07



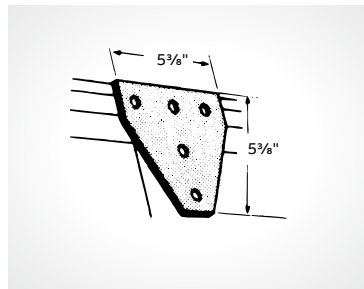
08



09



10

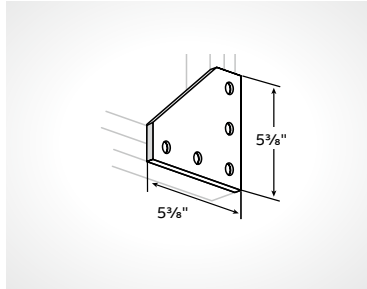


11

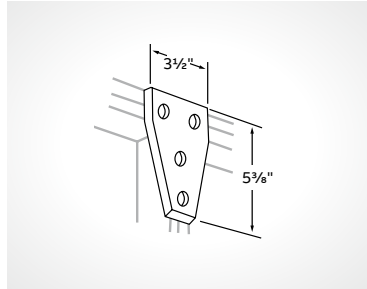
Cat No. AB252

Cat. No.	A (in)	STD CTN
AB252 1	3 7/8	10
AB252 2	5 7/8	10
AB252 3	7 7/8	10
AB252 4	9 7/8	10

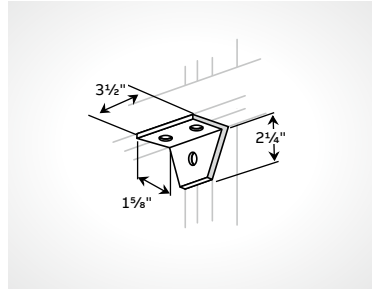
- 12 AB263
- 13 AB265
- 14 AB274
- 15 AB284 L
- 16 AB284 R
- 17 AB299
- 18 N205
- 19 N219
- 20 X201
- 21 X204
Slot size is $\frac{3}{4}$ " x $1\frac{1}{2}$ "
- 22 X207
- 23 X208
- 24 X289
- 25 X299



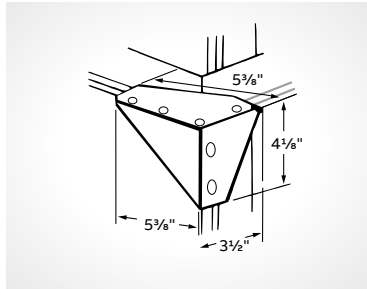
12



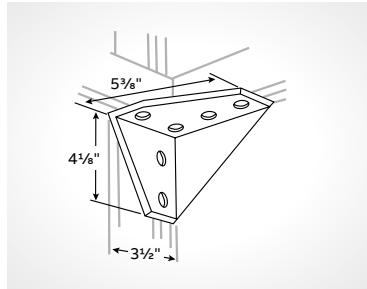
13



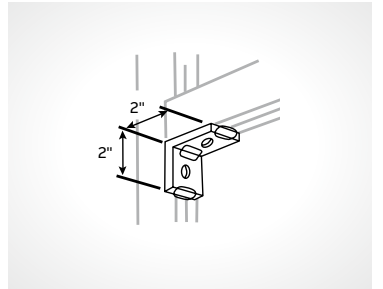
14



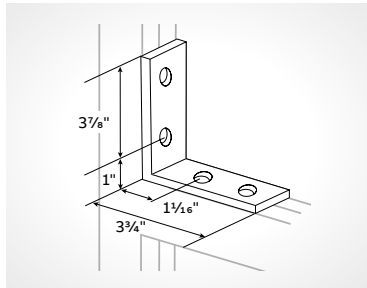
15



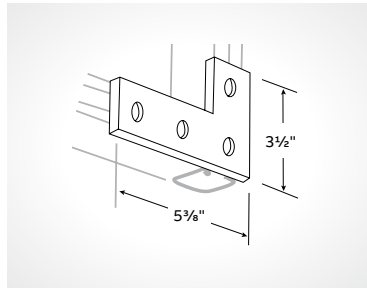
16



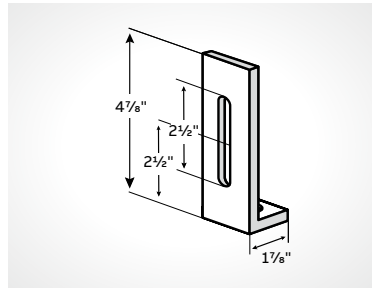
17



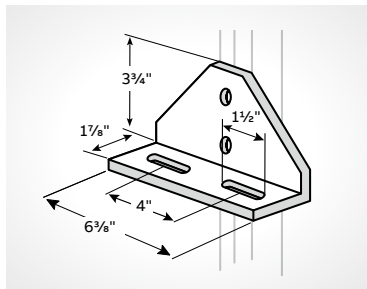
18



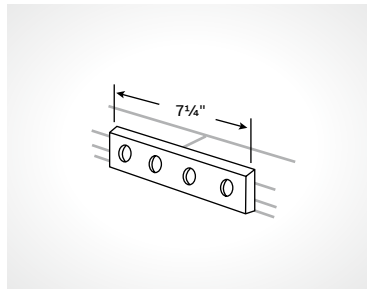
19



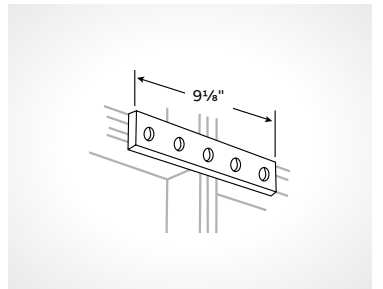
20



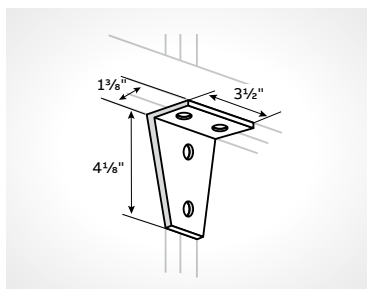
21



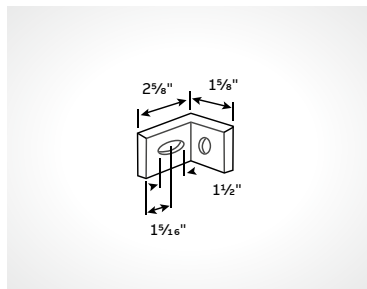
22



23



24



25

Fittings and brackets

Z shape fittings

01 A209

For attaching "A" series channel.

02 B209

For attaching "B" series channel.

03 C209

For attaching "C" series channel.

04 CZ209

For attaching "A" back to back.

05 EZ209

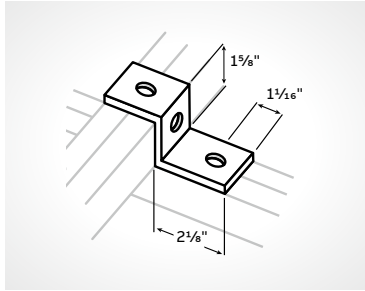
For attaching "E" series channel.

Standard dimensions

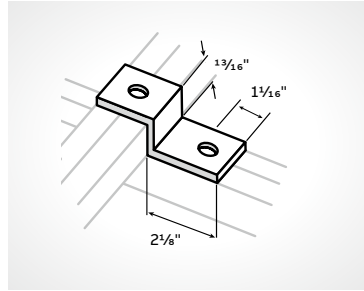
- Hole spacing: $1\frac{3}{16}$ " from end
- Hole spacing: $1\frac{7}{8}$ " centers
- Hole size: 1" diameter
- Material: $1\frac{5}{8}$ " width
- Material: $\frac{1}{4}$ " thick

Standard finish

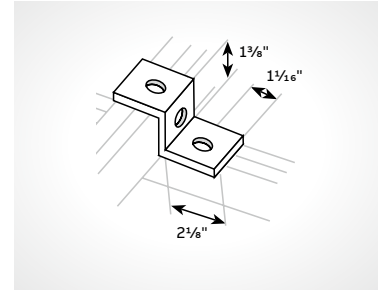
GoldGalv®, unless otherwise stated. Add EG suffix for SilverGalv® finish



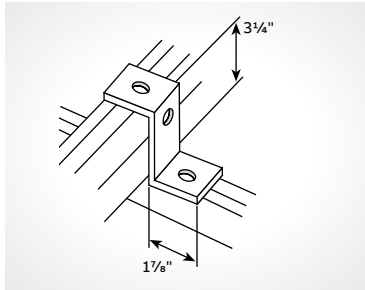
01



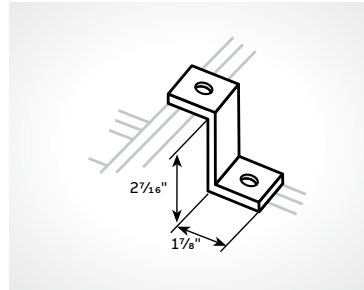
02



03



04



05

Fittings and brackets

Wing shape fittings

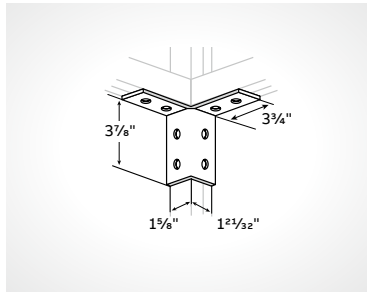
- 01 A217
- 02 AW205 L
- 03 AW205-R
- 04 AW214
- 05 A218
- 06 AW204
- 07 AW219
- 08 AW220
- 09 AW224
- 10 AW226
- 11 AW228

Standard dimensions

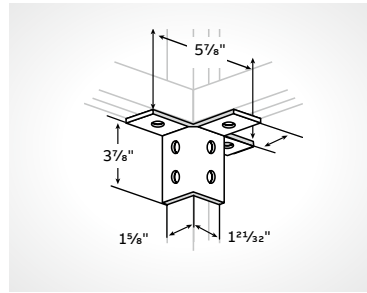
- Hole spacing: 1³/₁₆" from end
- Hole spacing: 1⁷/₈" centers
- Hole size: 1" diameter
- Material: 1⁵/₈" width
- Material: 1/4" thick

Standard finish

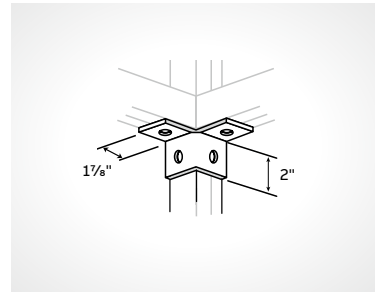
GoldGalv®, unless otherwise stated. Add EG suffix for SilverGalv® finish



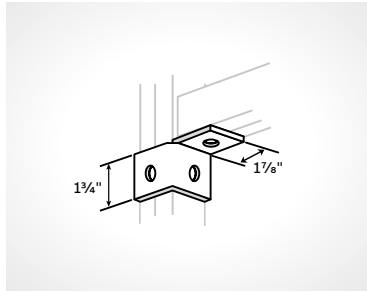
01



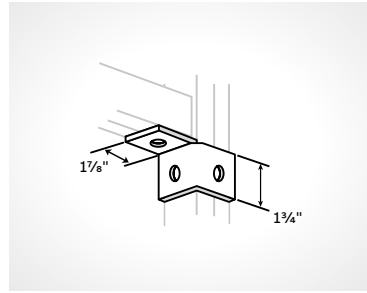
02



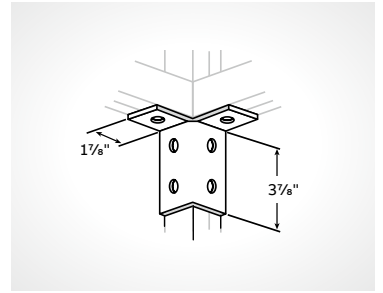
03



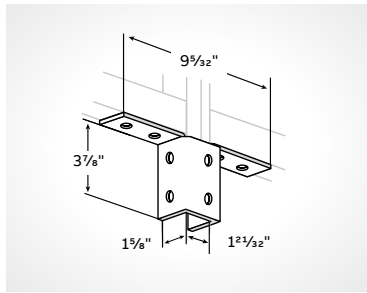
04



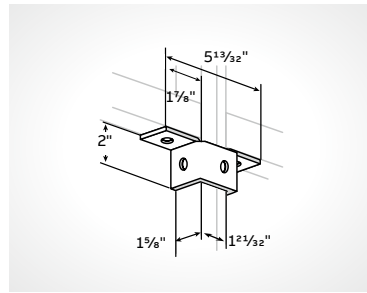
05



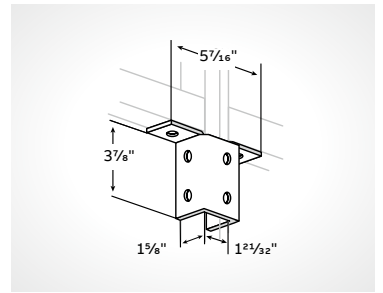
06



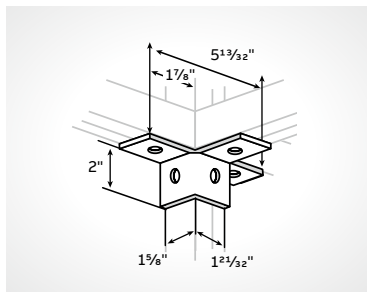
07



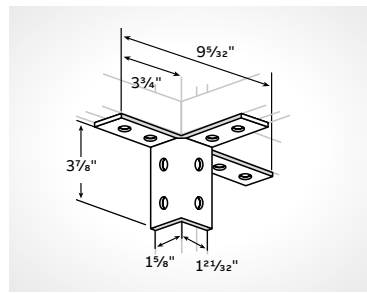
08



09



10



11

Fittings and brackets

U shape fittings

01 **A208**

Does not include strut nut or bolts. For "A" series channel.

02 **A210**

For attaching "A" series channel

03 **A211**

For attaching "A" series channel.

04 **B210**

05 **AB245**

06 **AN211**

07 **AN212**

08 **AB288**

09 **A-213**

10 **C210**

For attaching "C" series channel.

11 **E210**

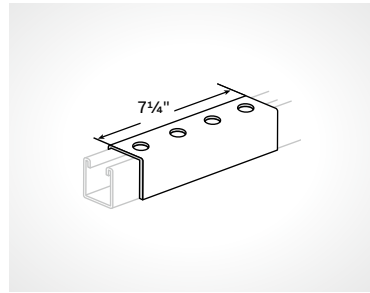
For attaching "E" series channel.

Standard dimensions

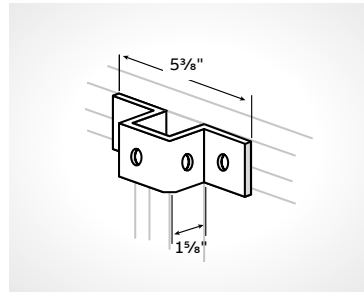
- Hole spacing: 1³/₁₆" from end
- Hole spacing: 1⁷/₈" centers
- Hole size: 1" diameter
- Material: 1⁵/₈" width
- Material: 1/4" thick

Standard finish

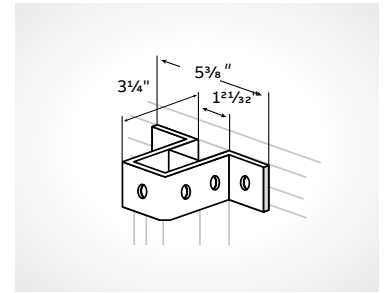
GoldGalv®, unless otherwise stated. Add EG suffix for SilverGalv® finish



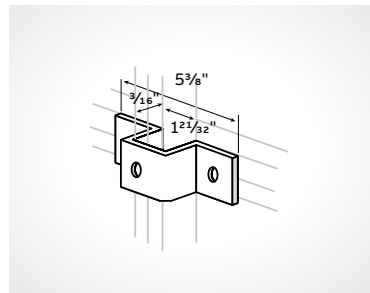
01



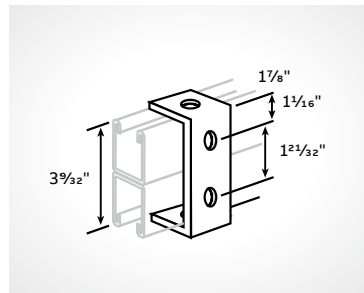
02



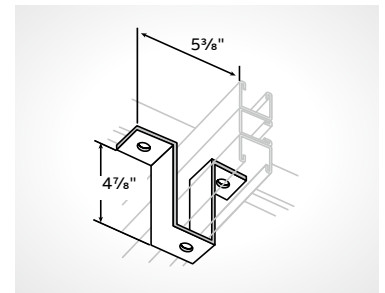
03



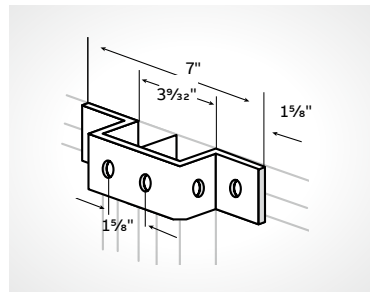
04



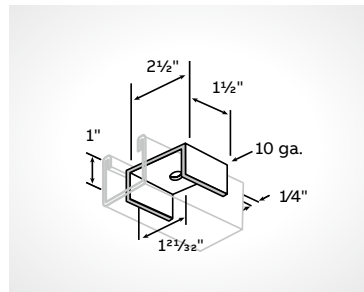
05



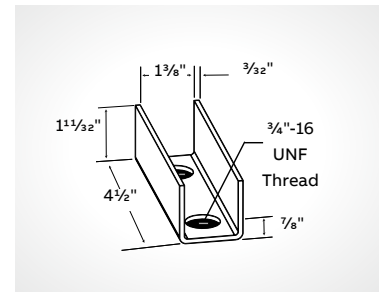
06



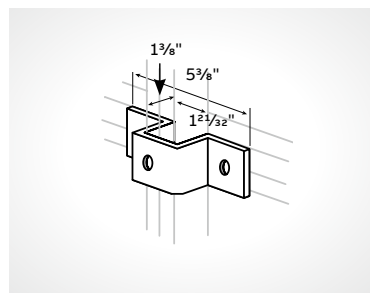
07



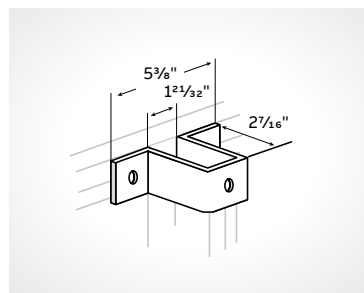
08



09



10

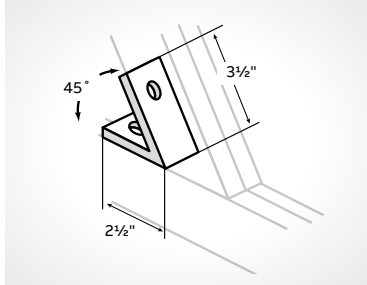


11

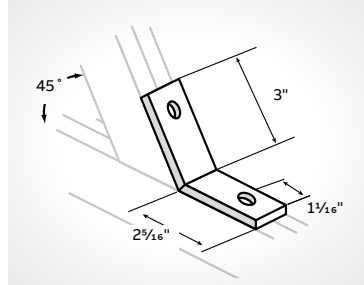
Fittings and brackets

Angular fittings

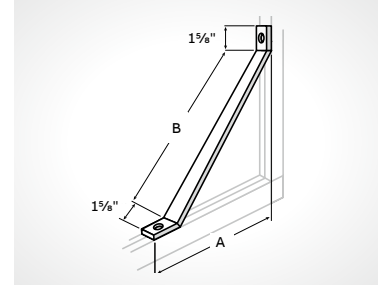
- 01 A225
- 02 A227
- 03 A239



01



02



03

—
Cat No. AB-239

Cat. No.	A (in)	B (in)	STD CTN
AB239 1	7 ¹³ / ₁₆	8 ¹ / ₂	15
AB-239-2	13 ³ / ₄	17	10
AB-239-3	19 ³ / ₄	25 ¹ / ₂	10

Standard finish – GoldGalv®, unless otherwise stated. Add EG suffix for SilverGalv® Finish

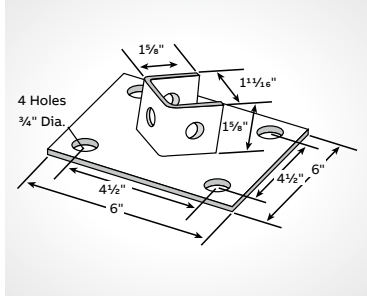
Fittings and brackets

Post bases

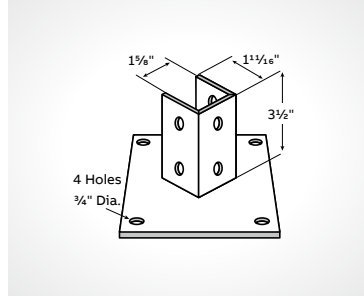
- 01 AP-231
- 02 AP-232
- 03 AP-234
- 04 AP-235
- 05 AP-231FL
- 06 AP-232FL
- 07 AP-234FL
- 08 AP-235FL
- 08 AP-231SQ

Standard finish

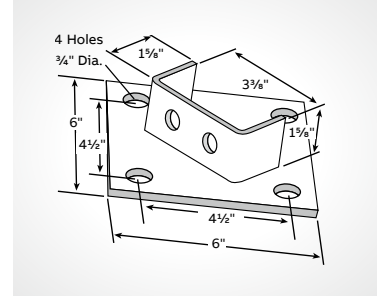
GoldGalv®, unless otherwise stated. Add EG suffix for SilverGalv® finish



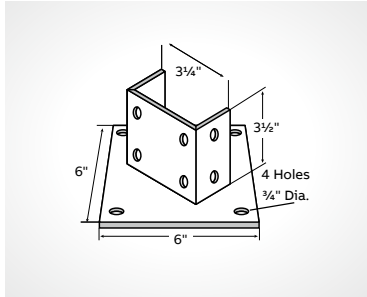
— 01



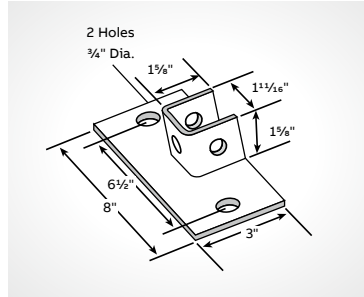
— 02



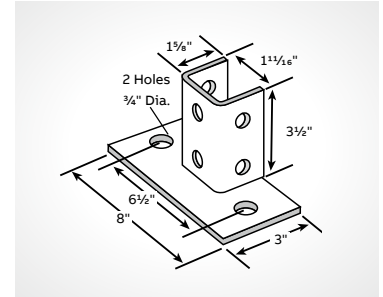
— 03



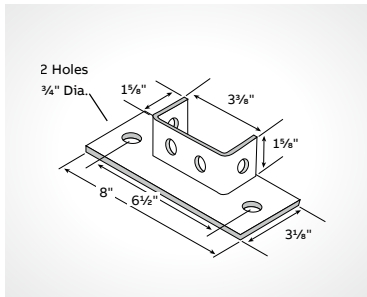
— 04



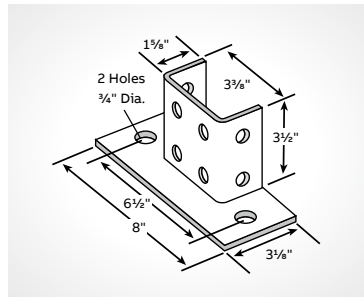
— 05



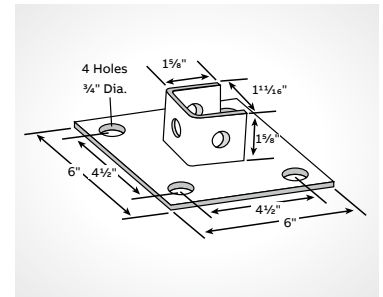
— 05



— 06



— 07



— 08

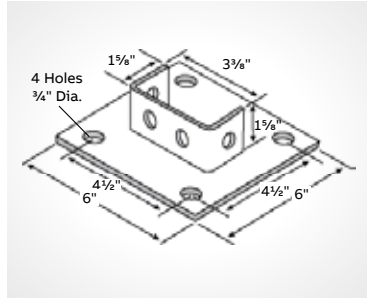
Fittings and brackets

Post bases (continued)

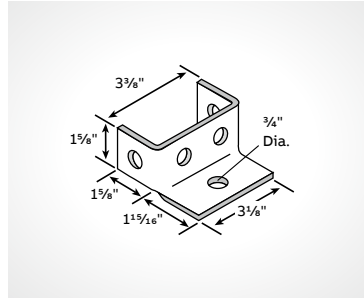
- 01 AP-2345Q
- 02 AW-239
- 03 AP-206
- 04 AP-2325Q
- 05 AP-2355Q

Standard finish

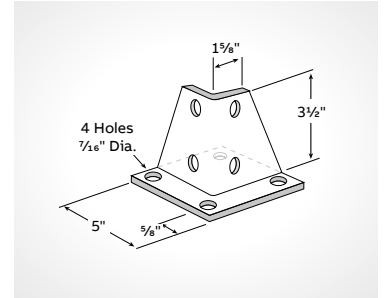
GoldGalv®, unless otherwise stated. Add EG suffix for SilverGalv® finish



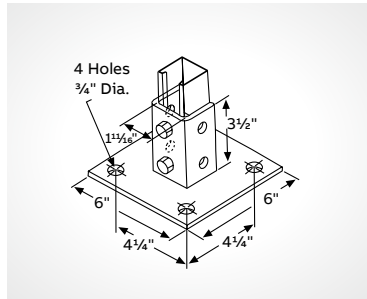
— 01



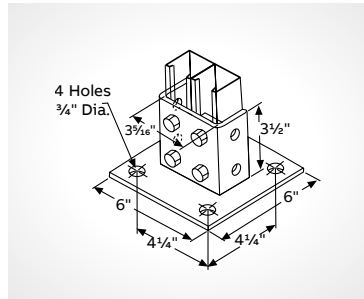
— 02



— 03



— 04



— 05

Fittings and brackets

Special application fittings

01 Q202

02 A205

03 Q255

For 2" standard pipe.
Load 1,500 lbs.

04 Q256

For 2" standard pipe.
Load 1,500 lbs.

05 Q253

For 1 1/4" standard pipe.
Load 1,500 lbs.

06 Q254

For 1 1/4" standard pipe.
Load 1,500 lbs.

07 TR292

Frictionless needle bearings.
Design load: 500 lbs.
Safety factor of 5.

08 TR294

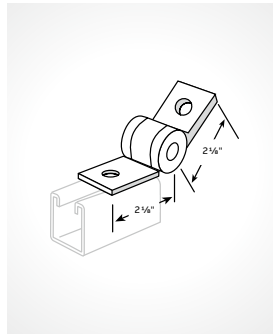
Frictionless needle bearings.
Design load: 1,000 lbs.
Safety factor of 5.

Standard dimensions

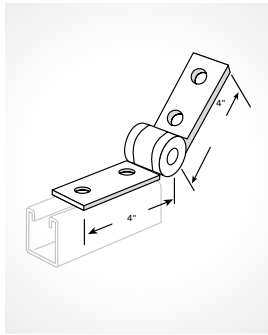
- Hole spacing: 1 3/16" from end
- Hole spacing: 1 7/8" centers
- Hole size: 9/16" diameter
- Material: 1 5/8" width
- Material: 1/4" thick

Standard finish

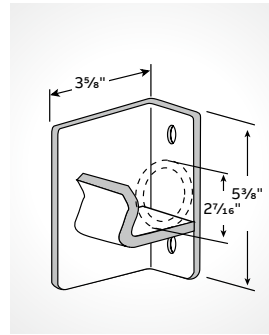
GoldGalv®, unless otherwise stated. Add EG suffix for SilverGalv® Finish



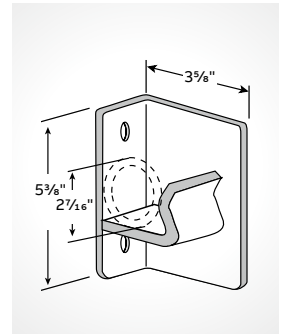
01



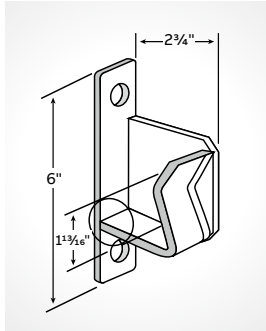
02



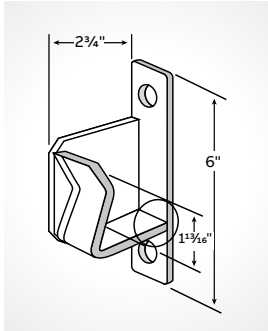
03



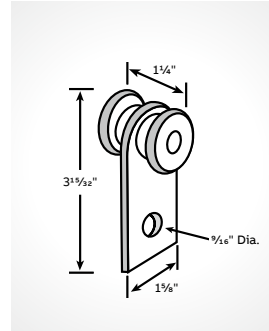
04



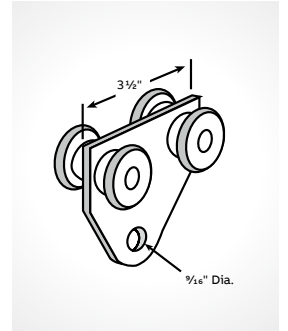
05



06



07



08

Fittings and brackets

Special application fittings (continued)

01 **AN-270**

02 **S-201-L and R**

R as shown — L opposite hand. 12 ga. steel. design uniform load/lbs.

A-1,200 250
A-1,400 200

03 **S204**

Design uniform load/lbs.

A-1,200 650
A-1,400 500

04 **S205**

Design uniform load/lbs.

A-1,200 650
A-1,400 500

05 **S217**

Design uniform load/lbs.

A-1,200 750
A-1,400 650

06 **S218**

Design uniform load/lbs.

A-1,200 750
A-1,400 650

07 **TS272**

Track support
Requires 3/8" x 2 1/2" bolt and nut (not included).
Design load: 1,000 lbs.

08 **TS273**

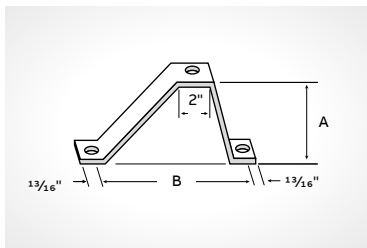
Track support
For uses over channel splice. Requires 3/8" x 2 1/2" bolt and nut (not included).
Design load: 2,000 lbs.

Standard dimensions

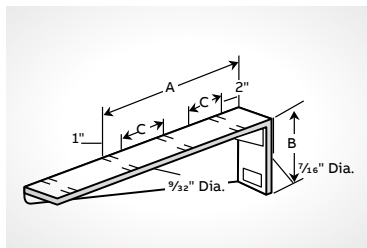
- Hole spacing: 1 3/16" from end
- Hole spacing: 1 7/8" centers
- Hole size: 9/16" diameter
- Material: 1 5/8" width
- Material: 1/4" thick

Standard finish

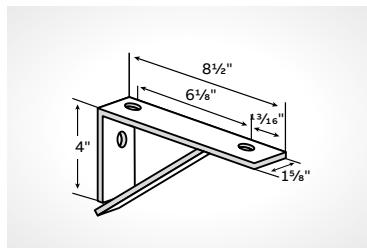
GoldGalv®, unless otherwise stated. Add EG suffix for SilverGalv® Finish



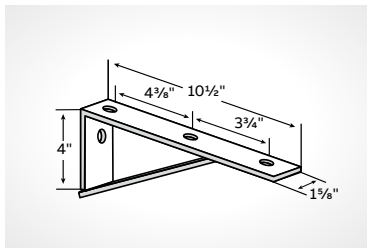
01



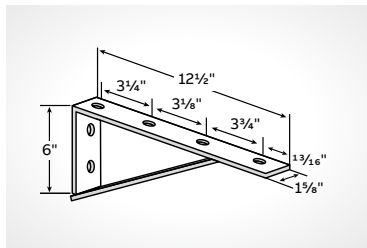
02



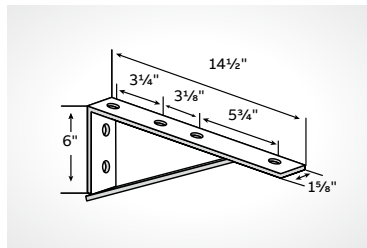
03



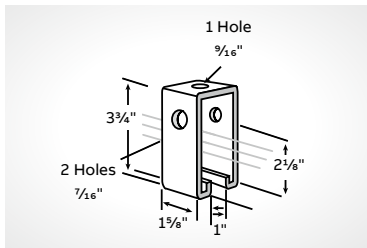
04



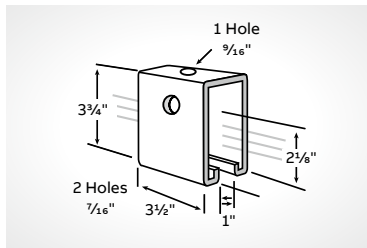
05



06



07



08

AN-270

Cat. No.	A (in)	B (in)	STD CTN
AN-270-1	2 3/8	6	10
AN-270-2	4 3/8	8	10
AN-270-3	6 3/8	10	10
AN-270-4	8 3/8	12	15
AN-270-5	10 3/8	14	10

S-201-L and R

Cat. No.	A (in)	B (in)	C (in)	STD CTN
S201-L6 or R6	6	1 15/16	3	25
S201-L8 or R8	8	2 7/16	5	25
S201L10 or R10	10	2 15/16	7	5
S201-L12 or R12	12	3 7/16	3	5
S201-L14 or R14	14	3 15/16	4	5
S201-L16 or R16	16	4 7/16	5	15
S201-L18 or R18	18	4 15/16	6	5
S201-L20 or R20	20	5 7/16	7	10

Fittings and brackets

Brackets

01 S222

Design uniform load/lbs.

A-1,200 1,000

A-1,400 750

02 S226

Design uniform load/lbs.

A-1,200 1,000

A-1,400 750

03 S236

Design uniform load/lbs.

A-1,200 800

A-1,400 650

04 S247

Design moment (channel

upright as shown)

when supported by

A-1,200 5,250 inch lbs.

A-1,400 3,650 inch lbs.

Applies to fitting only,
not to the arm.

For:

A-1,200

A-1,400

B-1,202

B-1,402

05 S248

Design moment (channel

upright as shown)

when supported by

A-1,200 10,800 inch lbs.

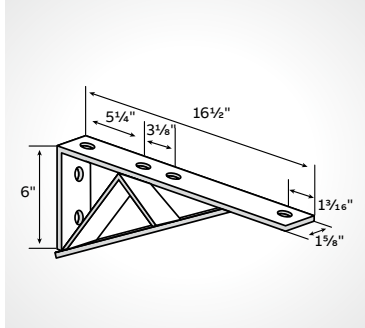
A-1,400 7,550 inch lbs.

Applies to fitting only,
not to the arm.

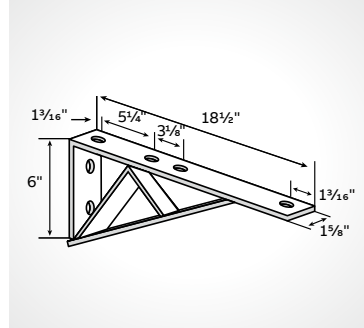
For:

A-1,200

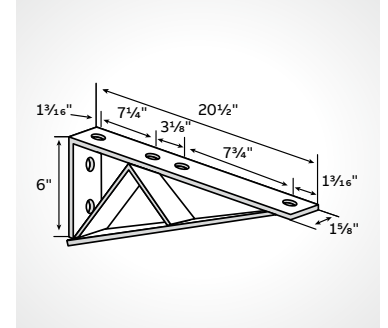
A-1,400



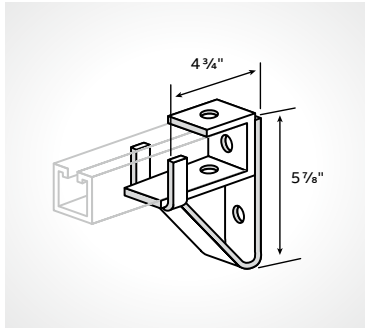
01



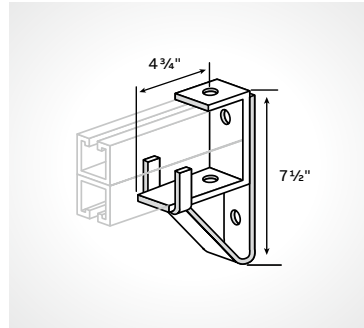
02



03



04



05

Fittings and brackets

Brackets (continued)

01 **S-250**

May be installed inverted with no change in load ratings. Strut section made from half slot channel.

Sizes: 6", 12", 18" & 24"

02 **S-251**

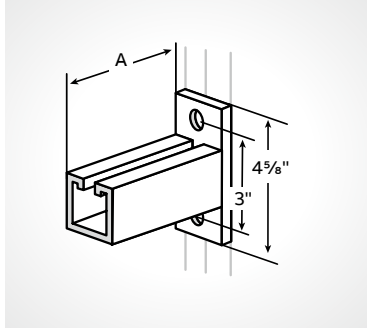
Strut section made from half slot channel.

Sizes: 12", 18", 24", 30" & 36"

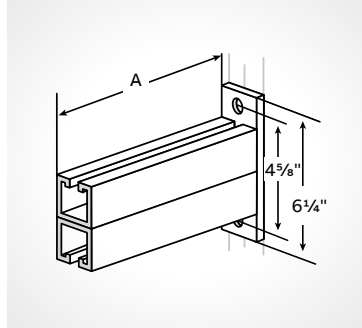
03 **S-256**

When installed in inverted position reduce load rating 40%. Strut section made from half slot channel.

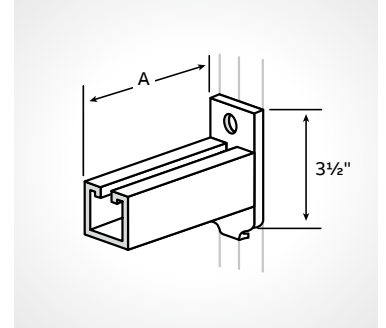
Sizes: 6", 12", 18" & 24"



01



02



03

S-250

Cat. No.	A (in)	Design load (lbs)	STD CTN
S250 6	6	1,500	1
S-250-12	12	800	1
S-250-18	18	550	1
S-250-24	24	400	1

Standard finish GoldGalv®, unless otherwise stated.
Add EG suffix for SilverGalv® finish

S-251

Cat. No.	A (in)	Design load (lbs)	STD CTN
S-251-12	12	1,650	1
S-251-18	18	1,050	1
S-251-24	24	800	1
S-251-30	30	650	1
S-251-36	36	500	1

S-256

Cat. No.	A (in)	Design load (lbs)	STD CTN
S256 6	6	1,000	1
S-256-12	12	500	1
S-256-18	18	300	1
S-256-24	24	250	1

Concrete inserts

(Series 300/400)

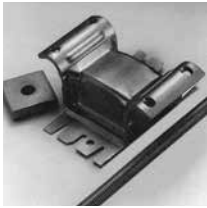


Standard lengths 10 ft. and 20 ft. length tolerance $\frac{3}{16}$ ". Assemblies available in any length from 12" to 20 ft. Consult factory. Insert with end caps and foam filler strip installed.

Material:

B-302 and C-302 Insert Channel — 12 ga. steel.

B-804 and C-804 End Caps — 12 ga. steel.



Superstrut® continuous insert channel is cold formed from 12 gauge hot-rolled strip steel in two basic sizes as follows:

Cat. No. B-302

$1\frac{5}{8}$ " x $1\frac{3}{16}$ " dim. $\frac{7}{8}$ " slot

Cat. No. C-302

$1\frac{5}{8}$ " x $1\frac{3}{8}$ " dim. $\frac{7}{8}$ " slot

Finishes

Product is available in GoldGalv® pre-galvanized (PG), hot-dipped galvanized (HDG) and stainless steel (SS). Contact your ABB Sales team for delivery and pricing.

Standard lengths are 10 ft. and 20 ft. Product is supplied with foam filler and end caps to prevent seepage of concrete into channel.

Application

For casting into concrete walls, floors or ceilings to provide attachment anywhere along the continuous slot.

Design data

Load ratings as shown have a safety factor of 3 in 3,000 lb. hard rock concrete. Where "good" concrete does not exist, the load ratings shall not apply.

GoldGalv® hardware finish is standard for all Superstrut® products. This is a multi-process finish of electro-plated zinc, followed by gold-colored trivalent chromium to give excellent corrosion resistance and a superior paint base. See pages 4-5 for a complete description of the GoldGalv® hardware finish. GoldGalv® hardware will be furnished if no other finish is specified.

Standard finish

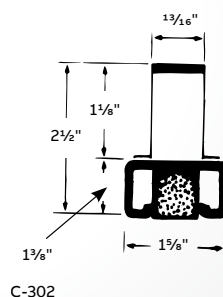
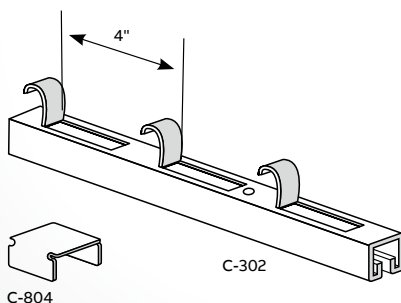
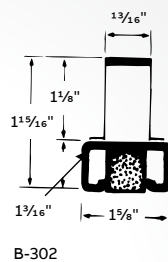
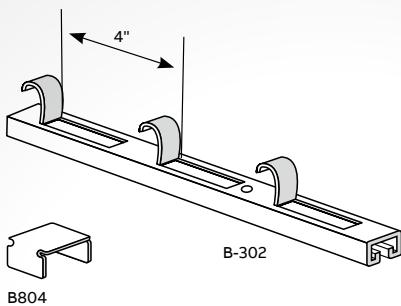
GoldGalv®, unless otherwise stated.

Design load lbs.

2,000 lbs. per foot in 3,000 lbs. hard rock concrete with a safety factor of 2.

Note: B-302 and C-302 are furnished with:

- A. Concrete safe tape applied to interior of channel to cover holes.
- B. Styrene insert between tape and $\frac{7}{8}$ " continuous opening.
- C. Two end caps on either side of strut to prevent concrete seepage.



Concrete inserts (Series 300/400)

Cat. No.	Description
B-302*	Insert channel 12 ga. steel — $\frac{13}{16}$ " depth
C-302*	Insert channel 12 ga. steel — $1\frac{3}{8}$ " depth
B804	End cap in B Series Concrete Insert
C-804	End cap in C Series Concrete Insert

*Add suffix -10 for 10' lengths and -20 for 20' lengths

Concrete inserts (Series 300/400)

452-TB — Spot insert — Top is deep drawn cup

- An insert with a knockout saves covering the opening. Accommodates hanger rod sizes from 1/4" through 7/8" by means of an AB-102 insert nut
- Design load: 1,350 lbs. in 3,000 lb. hard rock concrete with a safety factor of 3
- Order AB-102 nut separately

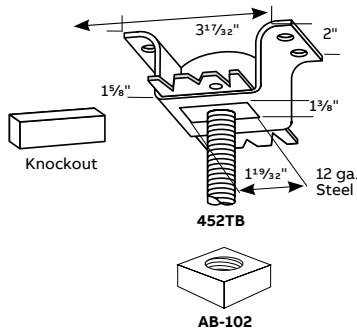
C475 — Metal deck ceiling bolt

Metal Deck Ceiling Bolts are used with our Figure 123. Rod Couplings ordered separately. Made special to customer order.

- Material: Steel
- Finish: Standard finish – GoldGalv®, Black (add suffix “-B”), Electro-Galvanized (add suffix “-EG”)
- Ordering: Specify size, dimension “A”, catalog number and finish.

AB-102 — Unhardened square nut

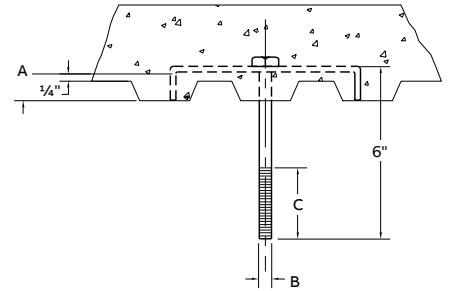
Cat. No.	Size (in)	STD CTN
AB102 1/4	1/4	50
AB-102-3/8	3/8	100
AB-102-1/2	1/2	100
AB-102-5/8	5/8	50
AB-1002-3/4	3/4	50
AB-102-7/8	7/8	50



For use with spot insert - Cat. No. 452.

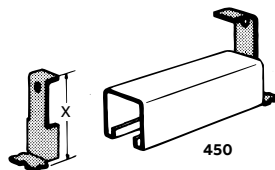
C475 — Metal deck ceiling bolt

Cat. No.	Weight each	A (in)	B (in)	C (in)	Max. Load (lbs)
C475 3/8	.75	Specify	3/8	1	610
C475 1/2	.97		1/2	1 1/4	1,130
C475 5/8	1.11		5/8	1 1/2	1,810
C475 3/4	1.42		3/4	1 3/4	2,710
C475 7/8	2.00		7/8	2	3,770
C475 1	6		1	2 1/4	4,960



450 — End cap

Cat. No.	For channel	X (in)	Material	STD CTN
C-450TB	C-1,200	3	12 ga.	100



Does not come in pairs, order number of total pieces required.
Inserts may be assembled from short pieces of channel by use of end caps.
Order closure strip separately.

Superstrut® beam clamps

Beam clamps for mounting channel



Materials

Most products are manufactured from hot-rolled carbon steel bars or hot-rolled strip steel. Pipe rollers are cast iron. Products which are copper plated carry the letter “T” in the prefix.

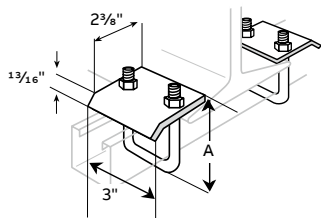
Design Loads

Where design loads are indicated, they provide for a safety factor of 3 in conformance with the “AMERICAN STANDARD CODE FOR PRESSURE PIPING.”

GoldGalv® hardware finish is standard for all Superstrut® products. This is a multi-process finish of electro-plated zinc, followed by gold-colored trivalent chromium to give excellent corrosion resistance and a superior paint base. See pages 4-5 for a complete description of the GoldGalv® hardware finish. GoldGalv® hardware will be furnished if no other finish is specified.

U501 & U502

Cat. No.	For channel	A (in)	STD CTN
U501	A-1200 A-1400	3 ³ / ₁₆	20
	B-1200 B-1400		
	C-1200 B-1402		
U502	A-1202 A-1402	4 ¹³ / ₁₆	20
	C-1202 H-1200		



Furnished complete.
 Design load U501 – 2,150 lbs.
 U502 – 3,000 lbs.

Superstrut® beam clamps

Beam clamps for mounting channel (continued)

01 U504

02 U505

03 U510

$\frac{1}{2}$ " x $1\frac{1}{2}$ " set screw included.
Order separately one $\frac{1}{2}$ " x $1\frac{1}{2}$ " hex head cap screw and $\frac{1}{2}$ " channel nut.
Channel/Design load lbs:
A-1,200/1,000
A-1,400/800

04 512-U

Order separately one $\frac{1}{2}$ " x $1\frac{1}{2}$ " hex head cap screw and $\frac{1}{2}$ " channel nut.
Channel/Design load lbs:
A-1,200/1,000
A-1,400/800

05 U514

$\frac{3}{8}$ " x $1\frac{1}{2}$ " set screw included.
Design load 750 lbs./per pair.

06 U514A

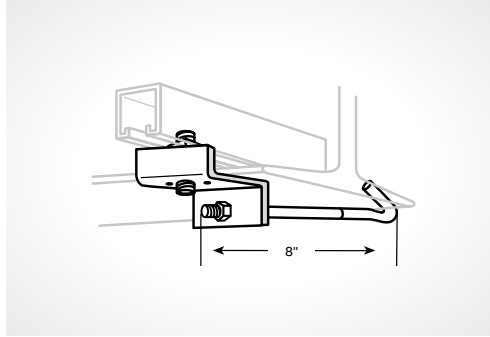
$\frac{3}{8}$ " x $1\frac{1}{2}$ " set screw included.
Design load 1,650 lbs./per pair.

07 U515

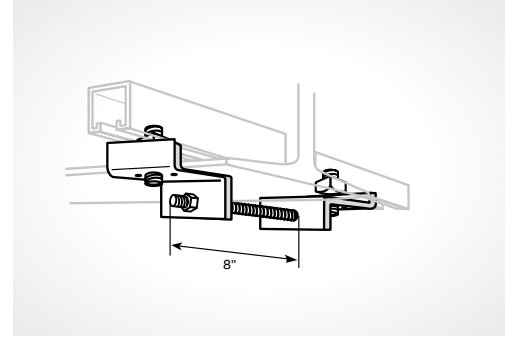
For all "A" series channel.
 $\frac{1}{2}$ " x $1\frac{1}{2}$ " set screw included.
Design load 800 lbs.

08 U515B

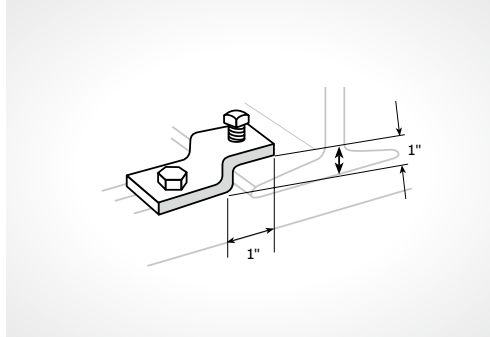
For all "B" series channel.
 $\frac{1}{2}$ " x $1\frac{1}{2}$ " set screw included.
Design load 800 lbs.



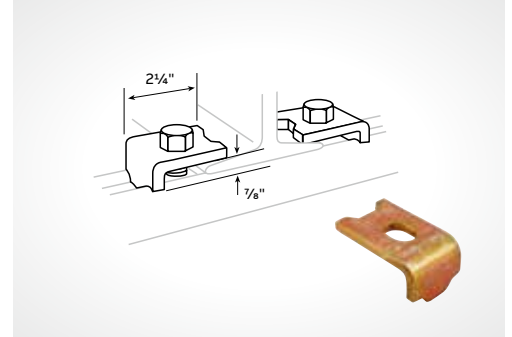
01



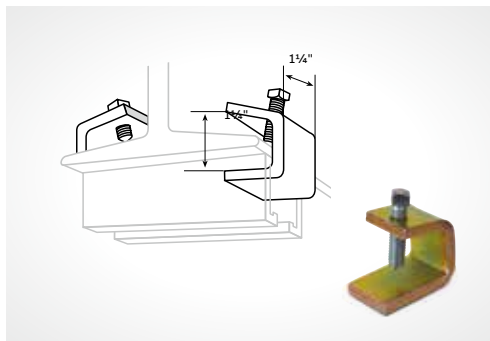
02



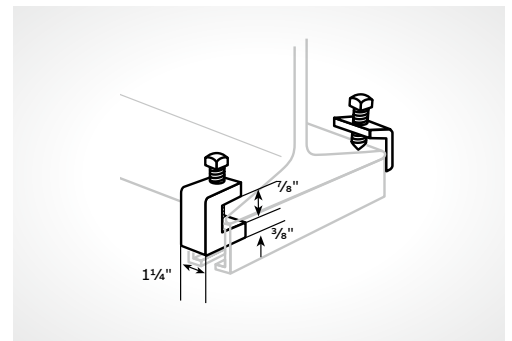
03



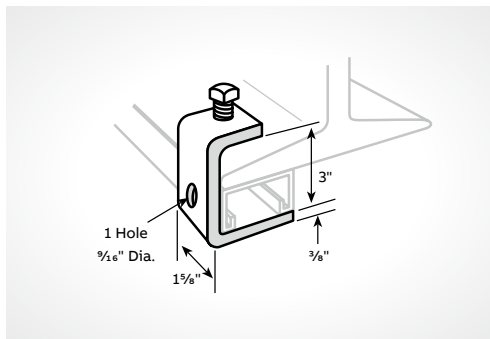
04



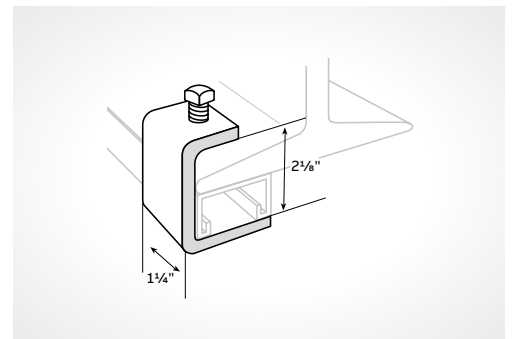
05



06



07

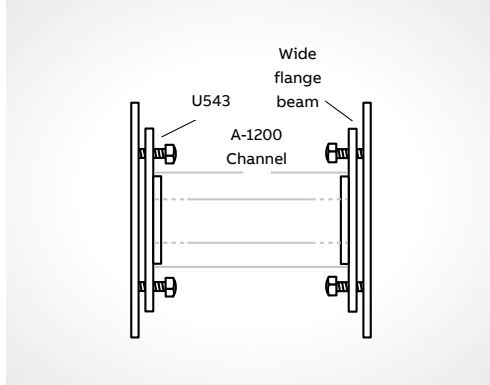


08

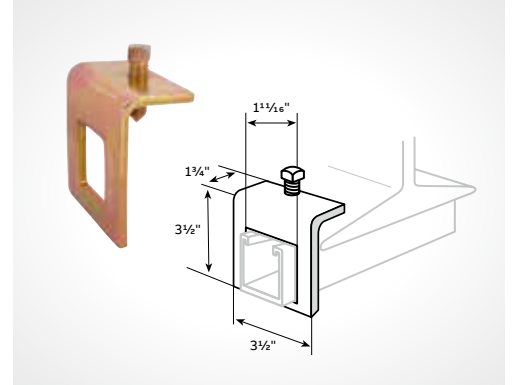
Superstrut® beam clamps

Beam clamps for mounting channel (continued)

- 01 U543, A-1200 & wide flange beam
- 02 A-597
- Standard finish — GoldGalv® brand. Channel Series A
- Design load 800 lbs./ea.



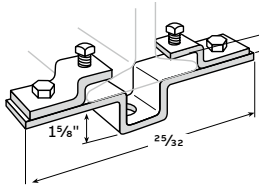
— 01



— 02

U-520, U521 & U-522

Cat. No.	Flange width* (in)	A (in)	Design load (lbs)	STD CTN
U-520	2 3/8–4 1/2	8 3/4	2,000	10
U-521	3 3/4–5 3/4	10	1,300	10
U-522	5 5/8–7 5/8	11 7/8	900	10

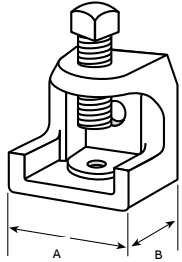


*When ordering specify flange width.
Standard finish – GoldGalv®, unless otherwise stated.
Nuts, cap screws and set screws included.

Superstrut® beam clamps

Beam clamps & side hanger clips

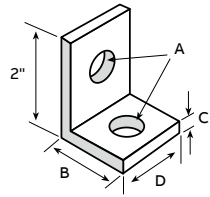
Beam clamps — Malleable Iron, silver electroplated finish



Cat. No.	Base size (in)		Jaw opening (in)	Tapping of base and back holes	Set screw load rating*	Torque in inch-lbs.	STD CTN
	A	B					
500-SC	1	1¼	1½ ¹⁶	¼-20	250	60	50
501	1½	1¾	7⁄8	5⁄16-18	500	60	50
502	2	2	1	3⁄8-16	750	120	50
503-SC	2¾	2½	1	½-13	1,250	250	20
507	2½	2¾	1¾	½-13	1,250	250	20
508	2½	2¾	2½	½-13	1,250	250	10
509	1	1¼	1½ ¹⁶	10-24	150	60	100
510	2 ⁷ / ₃₂	1½	¾	¼-20	250	40	100
511-SC	2 ⁷ / ₃₂	1½	¾	10-24	150	40	100

*Safety Factor of 3. Load ratings based on bottom hole of Beam Clamp. CSA File No. LR-52208. Also available in 316 stainless steel.

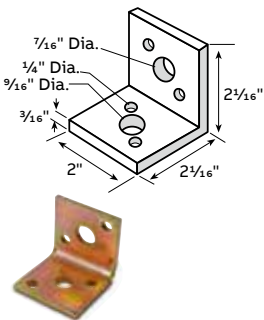
U-540 — Side hanger clip



Cat. No.	A (in)	B (in)	C (in)	D (in)	STD CTN
540 3/8	7 ¹ / ₁₆	1 ⁷ / ₈	¼	7⁄8	25
540 1/2 EC	9 ¹ / ₁₆	1 ⁷ / ₈	¼	1 ⁵ / ₈	25
540-5/8	1 ¹ / ₁₆	2½	3⁄8	2	25
540-3/4	1 ³ / ₁₆	2½	3⁄8	2	25

Finishes – GoldGalv® brand or Black (B)

U-542 — Side hanger clip



Cat. No.	D (in)	STD CTN
540 3/8	7⁄8	25
540 1/2 EC	1 ⁵ / ₈	25
540-5/8	2	25
540-3/4	2	25

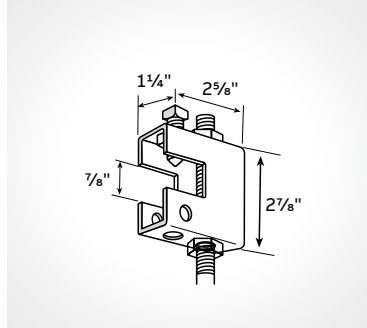
Finishes – GoldGalv® brand or Black (B)
Standard finish – GoldGalv®, EG, HD, & SS available.

Superstrut® beam clamps

Beam clamps & side hanger clips (continued)

01 U562

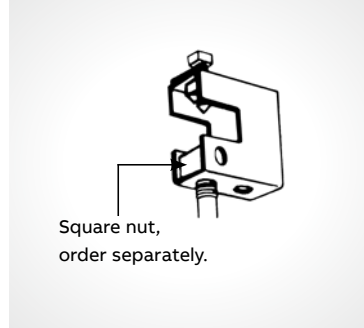
Beam clamp
 $\frac{1}{2}$ " set screw included.
 Rod Size: $\frac{1}{2}$ "
 Design load 500 lbs.



01

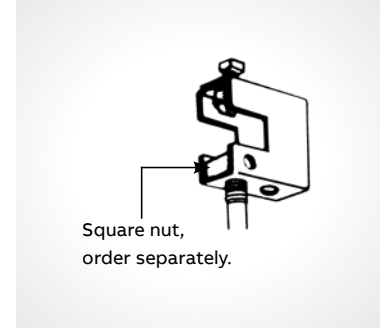
02 U562

Beam clamp optional use
 $\frac{1}{2}$ " set screw included.
 Rod size: $\frac{1}{2}$ "
 Design load 800 lbs.
 For 20° swivel application, use ES-145-1/2 nut.



Square nut,
 order separately.

02

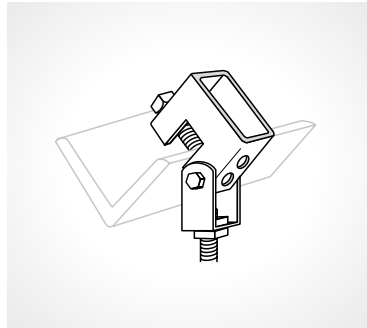


Square nut,
 order separately.

03

03 U563

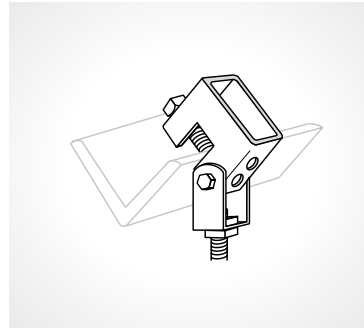
Beam clamp optional use
 $\frac{3}{8}$ " set screw included. Rod size: $\frac{3}{8}$ "
 Design load 400 lbs.



04

04 U563

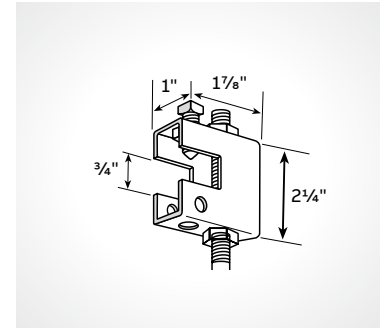
Beam clamp with swing hanger
 $\frac{3}{8}$ " set screw included.
 Rod sizes: $\frac{3}{8}$ "
 Design load 540 lbs.



05

05 U562

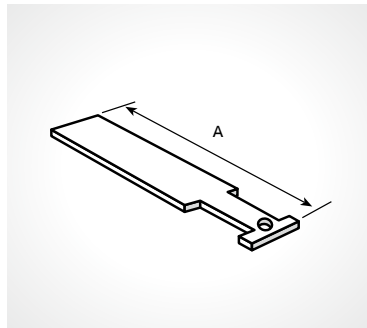
Beam clamp with swing hanger
 $\frac{1}{2}$ " screw included.
 Rod size: $\frac{1}{2}$ "
 Design load 800 lbs.



06

06 U563

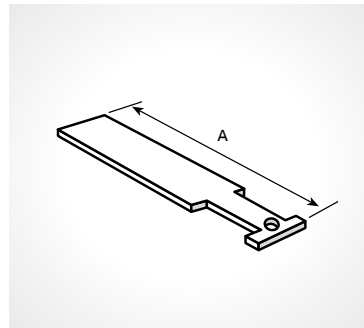
Beam clamp
 $\frac{3}{8}$ " set screw included.
 Rod size: $\frac{3}{8}$ "
 Design load 250 lbs.



07

07 U-568

Beam clamp safety strap
 Standard finish –
 GoldGalv® brand
 For U-563 beam clamp.



08

08 U-568

Beam clamp safety strap
 Standard finish –
 GoldGalv® brand
 For U-562 beam clamp.

Superstrut® beam clamps

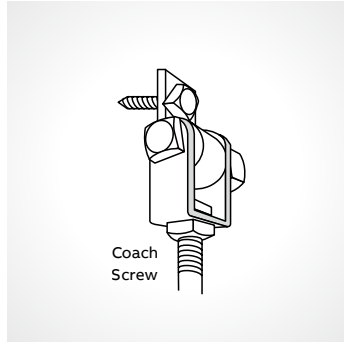
Connectors & beam clamps

01 S-541

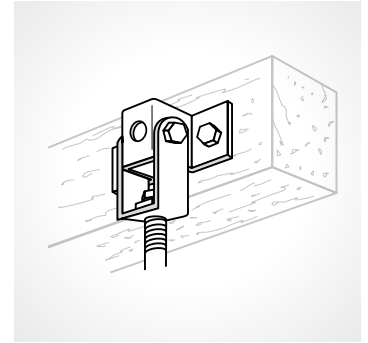
swing connector
 Standard finish –
 GoldGalv® brand
 Rod Size: 3/8"
 For use with wood beam.
 3/8" x 1 1/4" bolt, nut and
 clevis included.

02 U-577

Clevis & swing connector
 Rod Size: 1/2"
 Standard finish –
 GoldGalv® brand
 For use with wood beam.



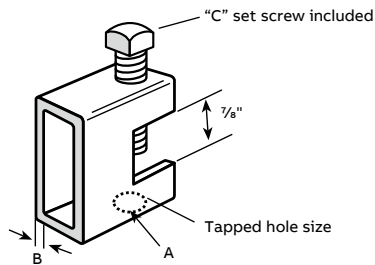
01



02

U-560 — Heavy-duty beam clamp

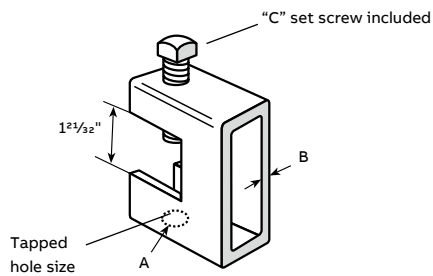
Cat. No.	Dimensions (in)			Design load (lbs)	STD CTN
	A	B	C		
U560 1/4	1/4	1/8	3/8 x 1 1/2	1,050	25
U-560-3/8	3/8	1/8	3/8 x 1 1/2	1,050	25
U-560-1/2	1/2	1/4	1/2 x 1 1/2	2,650	25
U-560-5/8	5/8	1/4	1/2 x 1 1/2	2,650	25



Channel Angle Connector. Standard finish — GoldGalv®.
 Available in Electro-Galvanized (EG) finish.
 Integral pilot, prevents twist.

U-564 — Heavy-duty beam clamp

Cat. No.	Dimensions (in)			Design load (lbs)	STD CTN
	A	B	C		
U-564-3/8	3/8	1/4	3/8 x 2 1/4	1,300	25
U-564-1/2	1/2	1/4	1/2 x 2 3/4	3,150	15
U564 5/8	5/8	1/4	1/2 x 2 3/4	3,150	25

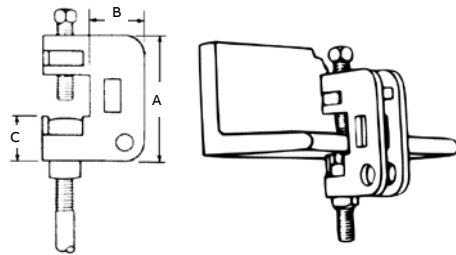


Available in Electro-Galvanized (EG) finish.

Superstrut® beam clamps

Clamps & anchor clips

E-231 — Structural steel clamp



Cat. No.	Dimensions (in)			Weight lbs/c
	A	B	C	
3/8" or 1/2" Rod				
*E-231-3/8	2½	1	7/8	31
**E-231-1/2	3	19/32	15/16	53

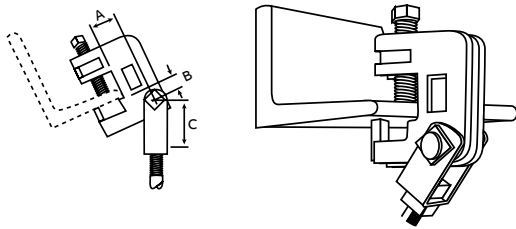
Assembly requires two H-116-C (3/8") or two H-116-D (1/2") square nuts to attach hanger rod. 3/8" steel.

* Load rating of 500 lbs. with a safety factor of 3.

** Load rating of 800 lbs. with a safety factor of 3.

Standard finish – GoldGalv®, unless otherwise stated.

E-232 — Clamp with swing connector



Cat. No.	Diameter for rod (in)	Dimensions (in)			Weight lbs/c
		A	B	C	
3/8" or 1/2" Rod					
*E-232-3/8	3/8	9/16	7/16	1	48
**E-232-1/2	1/2	7/8	29/64	15/8	76

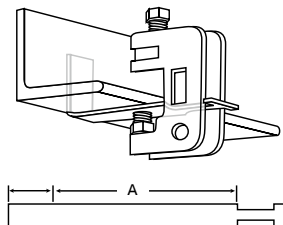
E-232 clamp with swing connector. Affords a convenient method of attaching to angled beams.

* Load rating of 400 lbs. with a safety factor of 3.

** Load rating of 550 lbs. with a safety factor of 3.

GoldGalv® finish.

E-233 — Anchor clip



Cat. No.	Rode size (in)	Max. beam width "A" (in)	For use with	Weight lbs/c
E-233-3/8-6	3/8	6	E-231-3/8 or E-232-3/8	20
E-233-3/8-10	3/8	10		33
E-233-1/2-6	1/2	6	E-231-1/2 or E-232-1/2	26
E-233-1/2-10	1/2	10		37

Clamps to I-beams, channels, angles and column. Two sizes are available, one for 3/8" and the other for 1/2" hanger rod. Each takes flanges up to .8" thickness.

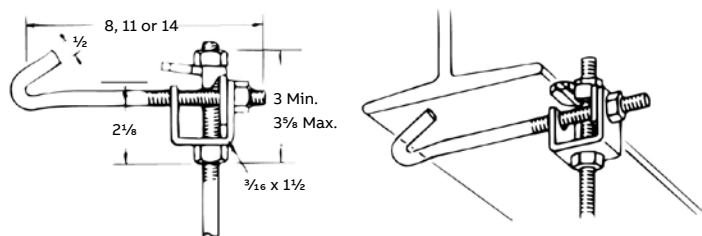
Anchor Clips should be used when clamps are subject to excessive vibration. To obtain the correct size clips, add 1 inch to the flange width. If length required is not standard, order next largest standard length. GoldGalv® finish.

For use with E-231 and E-232 clamps when hanger rod is not in straight through position.

Superstrut® beam clamps

Beam clamps

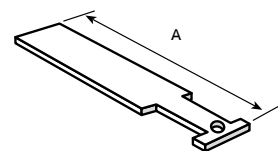
E-160 — Adjustable beam clamp



Cat. No.	Beam flange width (in)	Weight (lbs/c)
1/2" hanger rods		
1/2" Rod		
E-160-1/2-6	2 1/2 to 6	115
E-160-1/2-9	5 1/2 to 9	125
E-160-1/2-12	8 1/2 to 12	154

Clamps to I-beam where edge of beam flange does not exceed .8" thickness.
 Hook rod is furnished in three lengths to fit beam flanges up to 6", 9" or 12" widths.
 Load rating 800 lbs. with a safety factor of 3.
 Assembly requires hanger rod of the proper length and size plus two H-114-D nuts 3/16" steel and 1/2" hook rod. GoldGalv® finish.

U-568 beam clamps

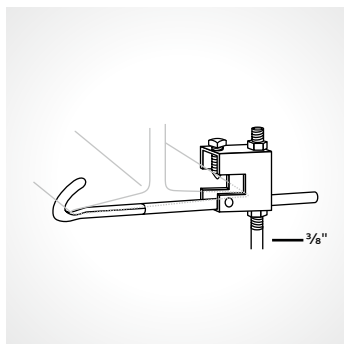


Cat. No.	Beam flange width (in)	A (in)	STD CTN
U568 1	6	8	50
U-568-2	9	11	50
U-568-3	6	9	25
U-568-4	9	12	50
U-568-5	12	15	50
U-568-6	6	9	25
U-568-7	9	12	25
U-568-8	12	15	25

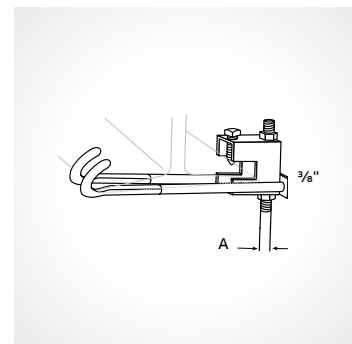
16 ga. material.
 Standard finish – GoldGalv®, unless otherwise stated.
 U-568 — Beam clamp safety strap
 For U-560 and U-564 beam clamp.

01 **U569**
 Beam clamp
 Standard finish — GoldGalv®
 Maximum flange width 5"
 Design load 400 lbs.

02 **U570**
 Beam clamp with safety rod
 Standard finish — GoldGalv®
 Flange width 4" min. – 8" max.
 Sizes — 1/2" (for use with 3/8" rod, see U569)
 Design load 650"
 F – 500 lbs.



01

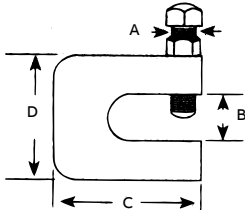


02

Superstrut® beam clamps

Clamps & nuts

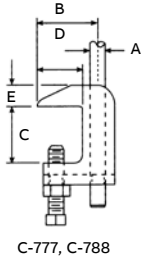
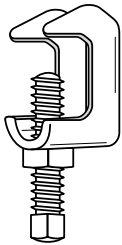
C-775L — Clamp with lock nut



Cat. No.	Rod size	Dimensions (in)				Design load (lbs)	STD CTN
	(in)	A	B	C	D		
C775L 3/8	3/8	3/8	3/4	2 3/8	2 3/8	400	100
C-775L-1/2	1/2	3/8	3/4	2 3/8	2 3/8	500	100
C-775L-5/8	5/8	1/2	3/4	2 5/16	2 3/8	550	50
C-775L-3/4	3/4	5/8	3/4	2 5/16	2 3/8	630	50
C-775L-7/8	7/8	3/4	1	3 5/16	3	1,200	25

Standard finishes - GoldGalv® brand, Black (B), Stainless Steel (SS) and Electro-Galvanized (EG). Carbon Steel.

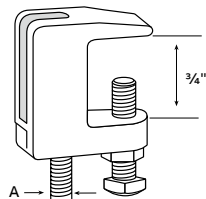
C-777 — Steel top beam clamp & C-778 — Steel wide jaw top beam clamp



Cat. No.	Rod size A (in)	Pipe size	Dimensions (in)					Design load (lbs)	STD CTN
			B	C	D	E	F		
C777 3/8	3/8	1/2-4	1 3/16	3/4	1	7/16	1	900	100
C-777-1/2	1/2	5-8	1 1/2	3/4	1	9/16	1 1/4	2,430	50
C-778-3/8	3/8	1/2-4	1 3/16	1 1/4	1	7/16	1	900	100
C-778-1/2	1/2	5-8	1 1/2	1 1/4	1	9/16	1 1/4	2,430	50

Standard finish - GoldGalv®, Black (B) and Electro-Galvanized (EG).

M-777 — Steel top beam clamp



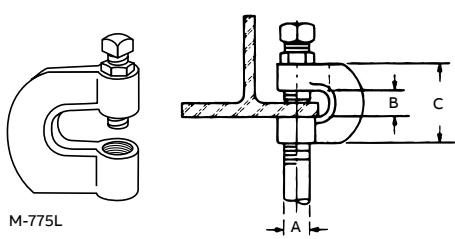
Rod size A (in)	Design load (lbs)
3/8	350
1/2	470
5/8	550
3/4	700
7/8	1,000

Junior top beam C-clamp
 Standard finish is GoldGalv®
 Available in Electro-Galvanized (EG) or Black (B) Malleable Iron
 Provides clamping under roof installations with bar joist construction (max. joist thickness 5/8")
 Order by Cat. No., rod size

Superstrut® beam clamps

Clamps & nuts

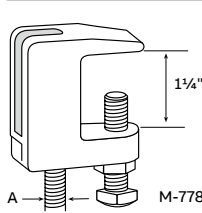
M-775L — Clamp with lock nut



Cat. No.	Rod size A (in)	B (in)	C (in)	Design load (lbs)	STD CTN
M-775L-3/8	3/8	3/4	1 3/4	400	100
M-775L-1/2	1/2	3/4	1 3/4	400	100
M-775L-5/8	5/8	3/4	2	440	50
M-775L-3/4	3/4	3/4	2	500	50

Available in Electro-Galvanized (EG) or Black (B).

M-778 — Steel wide jaw top clamp



Rod size A (in)	Design load (lbs)
3/8	400
1/2	500
5/8	850
3/4	900

Top beam C-clamp

Rod Size: 3/8", 1/2", 5/8" and 3/4"

Available in Electro-Galvanized (EG) or Black (B) Malleable Iron

Provides clamping under roof installations with bar joist type construction

Order by Cat. No. and rod size

Superstrut® beam clamps

Steel conduit clamps

C-247, C-248 & C-249 — Steel conduit clamps

	Conduit size	Max. beam C-247	Flange C-248	Thickness C-249
	1/2	5/8	1	
	3/4	7/16	3/4	1 1/2
	1		1/2	1 3/4
	1 1/4		1	
	1 1/2			5/8
	Dim. A	2 1/4	2 9/16	3 1/4
	Dim. B	1 3/8	1 3/4	2 1/2
	Dim. C	2 3/4	3	4
	Dim. D	9/16	9/16	5/8
	Per carton	100	50	50
Weight in lbs./C	33	36	59	

Standard finish – GoldGalv®, unless otherwise stated

A versatile clamp for attaching conduit to any type of beam, channel, angle or column

Designed to hold the conduit snug against the support with conduit either parallel or at right angle to it

The case-hardened set screw bites into the structural member for maximum security

1/8" steel

Superstrut® beam clamps

Pipe supports

Three types of pipe clamps are available to provide right angle, vertical and parallel attachment to a beam. Types RC, EC and PC are malleable iron clamps with an edge that grips the structural member for maximum holding power when tightened.

Type RCS clamps are all steel, providing two bearing surfaces for strong attachment for mounting pipe or conduit at right angles to the beam.

All parts are electrogalvanized, including the threads. The clamps are designed for clamping to a wide variety of beam thicknesses and tapers. Can be installed using only a wrench.

RC Clamp — Malleable Iron/RCS Clamp — Steel

- For mounting pipe or conduit at right angles to the beam
- Use SS316 suffix for 316 Stainless Steel
- Use HDG suffix for hot-dip galvanized

EC Clamp — Malleable Iron

- For mounting pipe or conduit vertically across the beam
- Use SS316 suffix for 316 Stainless Steel
- Use HDG suffix for hot-dip galvanized

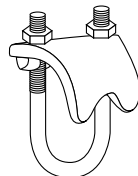
PC Clamp — Malleable Iron

- For mounting pipe or conduit parallel to the beam
- Use SS316 suffix for 316 Stainless Steel
- Use HDG suffix for hot-dip galvanized

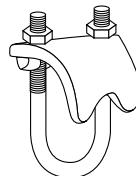
Pipe supports

Cat. No. & Size	Dimensions (in)			STD CTN.	Cat. No. & size	Dimensions (in)		
	O.D. of conduit or pipe	Nom. conduit pipe size				O.D. of conduit or pipe	Nom. conduit pipe size	STD CTN.
RCS-1/2	.840	½		50	EC-1/2	.840	½	50
RCS-3/4	1.050	¾		50	EC-3/4	1.050	¾	50
RCS-1	1.315	1		50	EC-1	1.315	1	25
RCS-1-1/4	1.660	1¼		50	EC-1-1/4	1.660	1¼	25
RCS-1-1/2	1.900	1½		50	EC-1-1/2	1.900	1½	25
RCS-2	2.375	2		50	EC-2	2.375	2	25
RC-3/8	.675	⅜		50	EC-2-1/2	2.875	2½	10
RC-1/2	.840	½		50	EC-3	3.500	3	10
RC-3/4	1.050	¾		50	PC-3/8	.675	⅜	50
RC-1	1.315	1		50	PC 1/2	.840	½	50
RC-1-1/4	1.660	1¼		50	PC-3/4	1.050	¾	50
RC-1-1/2	1.900	1½		50	PC-1	1.315	1	50
RC-2-SC	2.375	2		50	PC-1-1/4	1.660	1¼	25
RC-2-1/2	2.875	2½		25	PC-1-1/2	1.900	1½	25
RC-3	3.500	3		25	PC-2	2.375	2	25
RC-3-1/2	4.000	3½		25	PC-2-1/2	2.875	2½	25
RC-4-SC	4.500	4		20	PC-3	3.500	3	10
					PC-3-1/2	4.00	3½	10
					PC-4	4.500	4	10

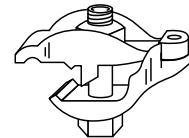
RC Clamp
Malleable Iron



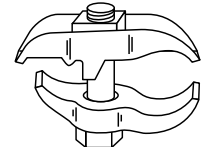
RCS Clamp
Steel



EC Clamp
Malleable Iron



PC Clamp
Malleable Iron



Pipe straps, conduit clamps and hangers

Introduction

Excellent corrosion resistance and a superior paint base

GoldGalv® hardware finish is standard for all Superstrut® products. This is a multi-process finish of electro-plated zinc, followed by gold-colored trivalent chromium to give excellent corrosion resistance and a superior paint base. See pages 4-5 for a complete description of the GoldGalv® hardware finish. GoldGalv® hardware will be furnished if no other finish is specified.

Materials

Most products are manufactured from hot-rolled carbon steel bars or hot-rolled strip steel. Pipe rollers are cast iron. Products which are copper plated carry the letter "T" in the prefix.

Design loads

Where design loads are indicated, they provide for a safety factor of 3 in conformance with the "AMERICAN STANDARD CODE FOR PRESSURE PIPING."

Hanger design

Pipe hangers are of advanced design and afford a new and better way of ordinary use.

Standard dimensions

The following, except where noted, apply to all beam clamp fittings.

- Hole Size: $\frac{9}{16}$ " diameter
- Material: $\frac{1}{8}$ " wide
- Material: $\frac{1}{4}$ " thick

GoldGalv® Outperforms Copper Plated

In a test conforming to ASTM G-87-84, also known as the Kesternich Test, Superstrut's GoldGalv® electrogalvanized zinc trivalent chromium finish achieved superior corrosion resistance in comparison to copper plated.

Performed and certified by an independent testing laboratory, the stringent Kesternich test is equivalent to an acid rain environment.

The test procedure exposes subject material to condensed moisture containing harsh sulfur dioxide (SO₂) which accelerates the aging process. During the series of test time cycles, the material is thoroughly inspected for signs and progression of damaging red rust.

The second test series was performed on various O.D. pipe straps attached to copper tubing and continuous slot channel. GoldGalv® achieved greater red rust resistance by seven times over copper plating.

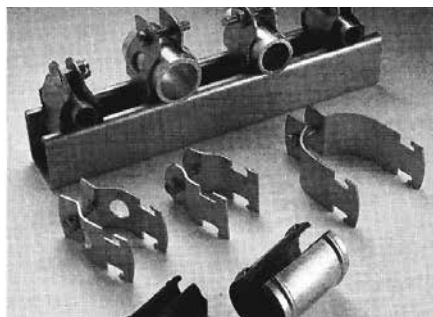
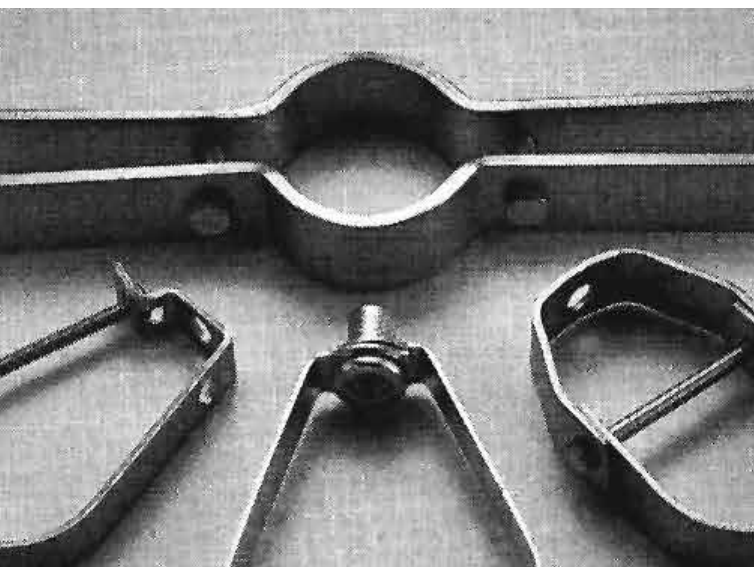
Once tests were completed, all copper tubes were split open and inspected for signs of electrolysis. The copper tubes showed minimal deterioration as a result of the test and no indication of electrolysis occurrence when attached to material with GoldGalv® finish.

ASTM G-87-84 corrosion test results

Finish	Initial red rust	50% red rust	100% rust
Test Series I: Light-duty adjustable clevis hanger			
GoldGalv®	120 hours	216 hours	*Never obtained
Copper Plated	24 hours	48 hours	72 hours
Test Series II: O.D. pipe straps			
GoldGalv®	168 hours	192 hours	240 hours
Copper plated	24 hours	48 hours	168 hours

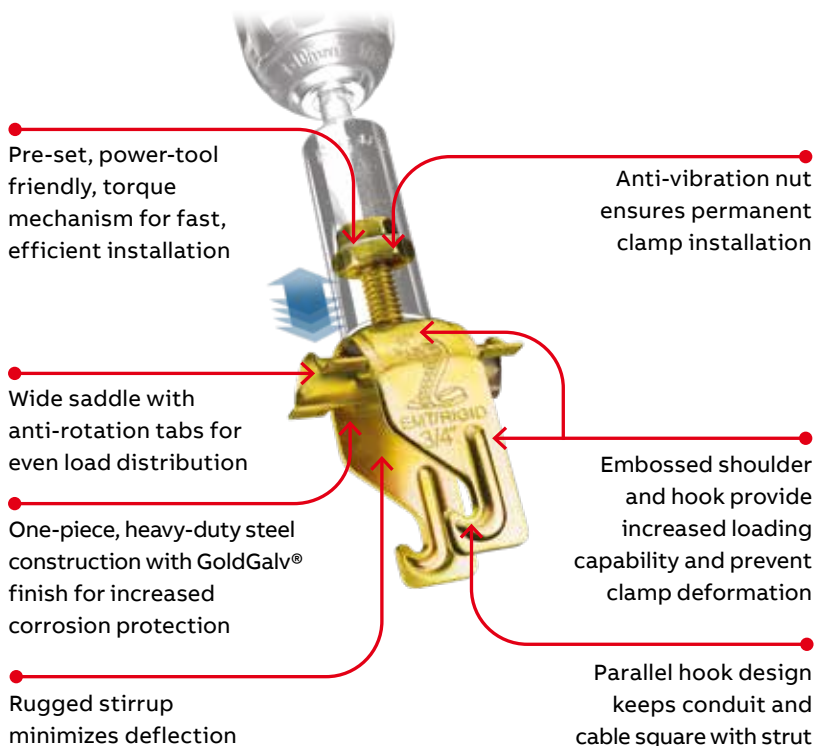
*Test series ended after 360 hours.

Standard finish – GoldGalv®, unless otherwise stated.



Pipe straps, conduit clamps and hangers

LOC-KING™ Cobra® one-piece cable and pipe clamp



The new standard for heavy-duty applications

The LOC-KING™ Cobra® heavy-duty pipe and cable clamp adds two new design innovations to the heavy-duty features of the original King Cobra® clamp.

First, a pre-set torque mechanism takes the guesswork out of installation, ensuring optimum torque and eliminating excess pressure on cables. Since the torque is pre-set, LOC-KING™ Cobra® clamps are ideally suited for use with power tools, making installation faster and more efficient than ever.

Second, the incorporation of an anti-vibration nut means that once installed, LOC-KING™ Cobra® clamps remain securely installed, even in high-vibration environments.

- Designed to be used on tray cable, Teck cable, metal-clad cable and armored cable
- Power-tool compatible for fast and efficient installation
- Pre-set torque mechanism takes the guesswork out of installation, delivering optimum torque even when using power tools
- Pre-set torque prevents over-tightening and excess pressure
- Anti-vibration nut ensures permanent installation, even in high-vibration environments
- Superior design load capabilities for heavy-duty applications: 350 lbs. for ½"-2½" trade sizes; 450 lbs. for 3"-4" trade sizes



01 Position LOC-KING™ Cobra® clamp.

02 Using a power tool fitted with a 5/8" (16mm) socket, tighten lock nut...

03 ...until it 'blocks' and will no longer turn. Installation is complete. **Note:** When pre-set torque engages, lock-nut separates from bolt head and stops firmly against clamp body.

04 See Ratings in the Table Below

Ratings table

Cat. No.	For EMT and rigid conduit trade sizes	Cable O.D. range (in)	Arrow #1 Load Rating* (lbs)	Arrow #2 Slip Rating** (lbs)	Arrow #3 Pull Rating** (lbs)	Quantity per box
LKCPC050	½	.650-.890	350	50	50	100
LKCPC075	¾	.860-1.110	350	50	50	100
LKCPC100	1	1.100-1.400	350	50	50	100
LKCPC125	1¼	1.400-1.725	350	50	50	50
LKCPC150	1½	1.690-1.980	350	50	50	50
LKCPC200	2	1.980-2.576	350	50	50	50
LKCPC250	2½	2.576-3.060	350	50	50	25
LKCPC300	3	3.060-3.626	450	50	50	25
LKCPC350	3½	3.626-4.126	450	50	50	25
LKCPC400	4	4.126-4.626	450	50	50	25

* Safety Factor of 4
 ** Safety Factor of 1

Pipe straps, conduit clamps and hangers

King Cobra® cable and pipe clamp

—
* Compared to conventional electrogalvanization.

—
01 King Cobra® cable and pipe clamp with GoldGalv® finish

—
02 Cobra® one-piece cable and pipe clamp

King Cobra® cable and pipe clamp with GoldGalv® finish

- Superior design load capabilities for industrial applications: 350 lbs. for ½" to 2½" trade sizes; 450 lbs. for 3" to 4" trade sizes
- Durable one-piece heavy-duty steel construction — designed specifically for use in industrial applications
- Embossed shoulder and hooks increase loading capability and durability, preventing deformation of clamps
- Rugged stirrup provides increased strength for heavier loads, minimizing deflection
- Wider saddle design with anti-rotation tabs distributes load evenly over a larger surface area, preventing jacket damage
- Increased corrosion protection* — GoldGalv® (yellow zinc trivalent) finish stands up to harsh industrial applications
- Parallel hook design keeps conduit and cable square with strut
- Heavy-duty ⅝" hex bolt
- One clamp size works on equal trade sizes for both EMT and rigid conduit, simplifying clamp specification

Cobra® one-piece cable and pipe clamp

Takes a bite out of your installation time!

- One-piece heavy-duty construction ready to install right out of the box, no need to break apart and reassemble, no screws or bolts to drop
- Installs quickly and securely using one hand
- Universal bolt head accepts a range of tools
- Eliminates the guesswork from clamp selection — one catalog number attaches equal trade sizes of EMT and rigid conduit
- Parallel hook design keeps conduits and cable square with strut
- Reconfigure wiring without complete disassembly. Remove cables easily without disturbing neighboring clamps



—
01



—
02

King Cobra® cable and pipe clamp with GoldGalv® finish

Cat. No.	For EMT and rigid conduit trade size (in)	Cable O.D. range (in)	Static load limit (lb) Safety Factor = 4	STD CTN
GoldGalv® finish				
KCPC050	½	.650–.890	350	100
KCPC075	¾	.860–1.110	350	100
KCPC100	1	1.100–1.400	350	100
KCPC125	1¼	1.400–1.725	350	50
KCPC150	1½	1.690–1.980	350	50
KCPC200	2	1.980–2.576	350	50
KCPC250	2½	2.576–3.060	350	25
KCPC300	3	3.060–3.626	450	25
KCPC350	3½	3.626–4.126	450	25
KCPC400	4	4.126–4.626	450	25

Standard finish — GoldGalv®

Cobra® one-piece cable and pipe clamp

Cat. No.	For EMT and rigid conduit trade size (in)	Cable O.D. range (in)	Static load limit (lb) Safety Factor = 4	STD CTN
EG silver finish				
CPC025	¼	.312–.600	200	100
CPC050	½	.650–.890	200	100
CPC075	¾	.860–1.110	200	100
CPC100	1	1.100–1.400	200	100
CPC125	1¼	1.400–1.725	200	50
CPC150	1½	1.690–1.980	200	50
CPC200	2	1.980–2.576	200	50
CPC250	2½	2.576–3.060	350	25
CPC300	3	3.060–3.626	350	25
CPC350	3½	3.626–4.126	350	25
CPC400	4	4.126–4.626	350	25

Stainless Steel: add suffix SS6.



Pipe straps, conduit clamps and hangers

Superstrut® pipe straps



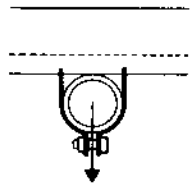
Pre-assembled for easy handling and sorting

Superstrut® Pipe Straps are designed to be twist inserted anywhere along the slot side of the channel. Pipes can be placed as closely as pipe couplings permit.

Some unique features of the straps include:

- Bolt head is combination slot and hex head for flexibility of attachment
- Square nut is captivated on the shoulder for easy one-handed tightening
- Straps are interchangeable with 1½" strut for broader application
- Straps are shipped assembled so counting and sorting are easier
- Pipe or conduit sizes are shown on the strap for easy identification
- All Superstrut® Straps are preassembled for easy handling and sorting

Design loads

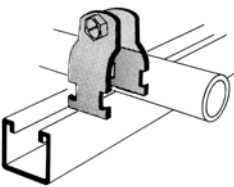


700 — Superstrut® straps for EMT



Cat. No.	EMT size (in)	O.D. size (in)	Steel strap thickness (ga.)	Design load (lbs)	STD CTN
700 3/8-STR	3/8	.577	14	750	100
700-1/2-STR	1/2	.706	14	750	100
700-3/4-STR	3/4	.922	14	750	100
700-1-STR	1	1.163	14	750	100
700-1-1/4-STR	1¼	1.510	14	750	50
700-1-1/2-STR	1½	1.740	12	800	50
700-2-STR	2	2.197	12	800	50

Standard finish – GoldGalv®



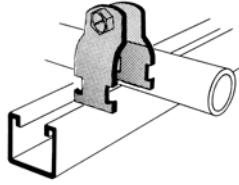
Pipe straps, conduit clamps and hangers

Superstrut® pipe straps

701 — Superstrut® straps for O.D. tubing



Cat. No.	Tubing O.D. (in)	Steel strap thickness (ga.)	Design load (lbs)	STD CTN	Cat. No.	Tubing O.D. (in)	Steel strap thickness (ga.)	Design load (lbs)	STD CTN
701-1/4	¼	14	750	100	701-3-3/4	¾	11	1,650	25
701-3/8	⅜	14	750	100	701-3-7/8	¾	11	1,650	25
701-1/2-STR	½	14	750	100	701-4	4	11	1,650	25
701-5/8	⅝	14	750	100	701-4-1/8	4⅛	11	1,650	25
701-3/4	¾	14	750	100	701-4-1/4	4¼	11	1,650	25
701-7/8	⅞	14	750	100	701-4-3/8	4⅜	11	1,650	25
701-1-STR	1	14	750	50	701-4-1/2	4½	11	1,650	10
701-1-1/8	1⅛	14	1,000	100	701-4-5/8	4⅝	11	1,650	10
701-1-1/4	1¼	14	1,000	25	701-4-3/4	4¾	11	1,650	10
701-1-3/8	1⅜	14	1,000	100	701-4-7/8	4⅞	11	1,650	10
701-1-1/2	1½	14	1,000	25	701-5	5	11	1,650	25
701-1-5/8	1⅝	14	1,000	100	701-5-1/8	5⅛	11	1,650	10
701-1-3/4	1¾	12	1,000	25	701-5-1/4	5¼	11	1,650	10
701-1-7/8	1⅞	12	1,000	50	701-5-3/8	5⅜	11	1,650	10
701-2	2	12	1,000	50	701-5-1/2	5½	11	1,650	10
701-2-1/8	2⅛	12	1,300	50	701-5-5/8	5⅝	10	1,650	10
701-2-1/4	2¼	12	1,300	25	701-5-3/4	5¾	10	1,650	10
701-2-3/8	2⅜	12	1,300	25	701-5-7/8	5⅞	10	1,650	10
701-2-1/2	2½	12	1,300	25	701-6	6	10	1,650	10
701-2-5/8	2⅝	12	1,300	50	701-6-1/8	6⅛	10	1,650	10
701-2-3/4	2¾	12	1,300	25	701-6-1/4	6¼	10	1,650	10
701-2-7/8	2⅞	12	1,300	25	701-6-3/8	6⅜	10	1,650	10
701-3	3	12	1,300	25	701-6-1/2	6½	10	1,650	10
701-3-1/8	3⅛	12	1,300	25	701-6-5/8	6⅝	10	1,650	10
701-3-1/4	3¼	12	1,300	25	701-6-3/4	6¾	10	1,650	10
701-3-3/8	3⅜	12	1,300	25	701-6-7/8	6⅞	10	1,650	10
701-3-1/2	3½	12	1,300	25	701-8	8	10	1,650	10
701-3-5/8	3⅝	11	1,650	25					



Pipe straps, conduit clamps and hangers

Superstrut® pipe straps

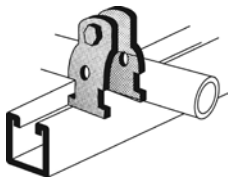
702 — Superstrut® straps for rigid conduit, IMC and pipe

Cat. No.	Rigid conduit or pipe size (in)	O.D. size (in)	Steel strap thickness (ga.)	Design load (lbs)	STD CTN	Cat. No.	Rigid conduit or pipe size (in)	O.D. size (in)	Steel strap thickness (ga.)	Design load (lbs)	STD CTN
702-3/8	3/8	.675	14	750	100	702-3-1/2	3 1/2	4.000	11	1,650	25
702-1/2	1/2	.840	14	750	100	702-4	4	4.500	11	1,650	25
702-3/4	3/4	1.050	14	750	100	702-4-1/2	4 1/2	5.000	11	1,650	25
702-1	1	1.315	14	750	100	702-5	5	5.563	11	1,650	25
702-1-1/4	1 1/4	1.660	14	800	50	702-6	6	6.625	11	1,650	10
702-1-1/2	1 1/2	1.900	12	800	50	702-8	8	8.625	11	1,650	10
702-2-STR	2	2.375	12	800	50	702-10	10	10.750	10	1,650	25
702-2-1/2	2 1/2	2.875	12	1,000	50	702-12	12	12.750	10	1,650	25
702-3	3	3.500	12	1,650	50						

Standard finish – GoldGalv®

703 — Universal clamp

Cat. No.	Pipe O.D. (in)	Steel strap thickness (ga.)	Design load (lbs)	STD CTN
703-1/2	.706–.840	16	400	100
703-3/4	.932–1.050	14	550	100
703 1	1.163–1.315	14	550	100
703-1-1/4	1.508–1.660	14	800	50
703-1-1/2	1.738–1.900	14	800	50
703-2	2.195–2.375	14	800	50



Standard finish – GoldGalv®

Pipe straps, conduit clamps and hangers

Angler® pipe and conduit clamp – Angled for easy tightening!

Universal Series — for EMT, IMC, rigid and standard pipe



Cat. No.	Size (in)	Strap thickness (ga.)	Design load (lbs)	Install torque (in lbs.)	STD CTN
GoldGalv® finish					
C 109 1/2	½	14	400	40	100
C 109 3/4	¾	14	500	40	100
C 109 1	1	14	500	40	100
C 109 1 1/4	1¼	14	500	40	100
C 109 1 1/2	1½	12	800	60	50
C 109 2	2	12	800	60	50
C 109 2 1/2	2½	12	800	60	50
C 109 3	3	12	800	60	50
C 109 3 1/2	3½	11	1,200	60	25
C 109 4	4	11	1,200	60	25
SilverGalv® finish					
C 109 1/2 EG	½	14	400	40	100
C 109 3/4 EG	¾	14	500	40	100
C 109 1 EG	1	14	500	40	100
C 109 1 1/4 EG	1¼	14	500	40	100
C 109 1 1/2 EG	1½	12	800	60	50
C 109 2 EG	2	12	800	60	50
C 109 2 1/2 EG	2½	12	800	60	50
C 109 3 EG	3	12	800	60	50
C 109 3 1/2 EG	3½	11	1,200	60	25
C 109 4 EG	4	11	1,200	60	25

Rigid Series — for rigid conduit and standard pipe

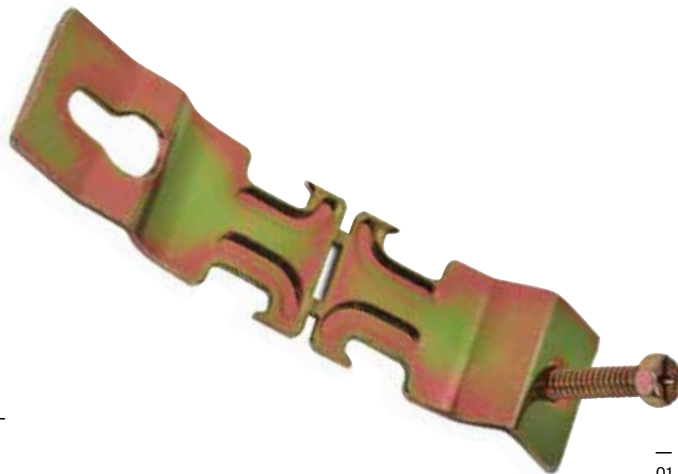


Cat. No.	Size (in)	Strap thickness (ga.)	Design load (lbs)	Install torque (in lbs.)	STD CTN
GoldGalv® finish					
C 109R 1/2	½	14	600	40	100
C 109R 3/4	¾	14	600	40	100
C 109R 1	1	14	600	40	100
C 109R 1 1/4	1¼	14	600	40	100
C 109R 1 1/2	1½	12	800	60	50
C 109R 2	2	12	800	60	50
C 109 2 1/2	2½	12	800	60	50
C 109 3	3	12	800	60	50
C 109 3 1/2	3½	11	1,200	60	25
C 109 4	4	11	1,200	60	25
SilverGalv® finish					
C 109R 1/2 EG	½	14	600	40	100
C 109R 3/4 EG	¾	14	600	40	100
C 109R 1 EG	1	14	600	40	100
C 109R 1 1/4 EG	1¼	14	600	40	100
C 109R 1 1/2 EG	1½	12	800	60	50
C 109R 2 EG	2	12	800	60	50
C 109 2 1/2 EG	2½	12	800	60	50
C 109 3 EG	3	12	800	60	50
C 109 3 1/2 EG	3½	11	1,200	60	25
C 109 4 EG	4	11	1,200	60	25

Hex head size ¾" for ½" to 1¼" sizes, ½" for 1½" to 4" sizes.

Material: Stamped Steel.

Pipe sizes 2½" to 4" utilize the same clamps for the Rigid Series and the Universal Series.



01 Universal Series — for EMT, IMC, rigid and standard pipe

02 Rigid Series — for rigid Conduit and standard pipe

02



Pipe straps, conduit clamps and hangers

A-716 — Snap•Guard® cushioned clamp tube series & P-716 — Pipe series

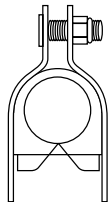
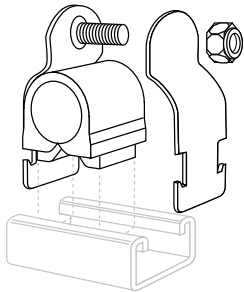
P-716 — Pipe series

- Assembly consisting of GoldGalv® finish steel clamp with bolt/locknut and cushion
- Secure pipes, tubes and hoses for fluid conductors
- Installation is easy and requires no more time than a simple pipe clamp installation
- Cushion absorbs the shocks and associated vibrations from fluid surges in tubes, pipes and hoses
- Can handle temperatures from -40° F to 300° F
- Cushioned Clamp assemblies are available individually bagged

P-716 — Pipe series

	O.D. tubing sizes		Standard pipe sizes		
	Assembly Cat. No.	Tube O.D. (in)	Assembly Cat. No.	Nominal pipe size (in)	STD CTN
A-716 P-716	A-716-1/4	¼	P-716-1/4	¼	25
	A-716-3/8	⅜	P-716-3/8	⅜	25
	A-716-1/2	½	P-716-1/2	½	25
	A-716-5/8	⅝	P-716-3/4	¾	25
	A-716-3/4	¾	P-716-1	1	25
	A-716-7/8	⅞	P-716-1-1/4	1¼	25
	A-716-1	1	P-716-1-1/2	1½	10
	A-716-1-1/8	1⅛	P-716-2	2	10
	A-716-1-1/4	1¼	P-716-2-1/2	2½	10
	A-716-1-3/8	1⅜	P-716-3	3	10
	A-716-1-1/2	1½	P-716-3-1/2	3½	10
	A-716-1-5/8	1⅝	P-716-4	4	10
	A-716-1-3/4	1¾	—	—	10
	A-716-1-7/8	1⅞	—	—	10
	A-716-2	2	—	—	10
	A-716-2-1/8	2⅛	—	—	10
	A-716-2-3/8	2⅜	—	—	10
	A-716-2-5/8	2⅝	—	—	10
	A-716-3-1/8	3⅛	—	—	10
	A-716-4-1/8	4⅛	—	—	10

Standard finishes – GoldGalv® brand. Available in Stainless Steel — use SS suffix.
(i.e) A-716-1SS, Electro-Galvanized (Silver) — use EG suffix. (i.e) A-716-1EG



Pipe straps, conduit clamps and hangers

U-716, U-717 — Two-hole cushioned clamp

- Guides, protects and uniformly spaces line runs. Low-cost, time-saving method of attaching tubing and hose to equipment
- Cushion is built to withstand the effects of most oils, chemical and industrial cleaning compounds, in temperatures from -50° F to 275° F. Interlock edge ensures cushion remains in place
- Clamp available in steel with the GoldGalv® hardware finish
- Attached with two standard fasteners to any flat surface, this clamp eliminates the use of special channels, providing a savings in both space requirements and cost
- Cushioned clamps reduce vibration, shock and noise in fluid systems and eliminate electrolysis

U-716, U-717 — Two-hole cushioned clamp

	Assembly Cat. No.	Copper and steel tube O.D. (in)	Copper water pipe (Nom.) (in)	Nominal pipe size (in)	STD CTN
U-716 U-717	U716 1/4	1/4	—	—	25
	U-716-3/8	3/8	1/4	—	25
	U-716-1/2	1/2	3/8	1/4	25
	U-716-5/8	5/8	1/2	3/8	25
	U-716-3/4	3/4	5/8	—	25
	U-716-7/8	7/8	3/4	1/2	25
	U-716-1	1	—	—	25
	U-716-1-1/8	1 1/8	1	—	25
	U-716-1-1/4	1 1/4	—	—	10
	U-716-1-3/8	1 3/8	1 1/4	—	10
	U-716-1-1/2	1 1/2	—	—	10
	U-716-1-5/8	1 5/8	1 1/2	—	10
	U-716-1-3/4	1 3/4	—	—	10
	U-716-1-7/8	1 7/8	—	1 1/2	10
	U-716-2	2	—	—	10
	U-716-2-1/8	2 1/8	—	—	10
	U-716-2-3/8	2 3/8	—	—	10
	U-717-3/4	—	—	3/4	25
	U-717-1	—	—	1	10
	U-717-1-1/4	—	—	1 1/4	10

Standard finish – GoldGalv®

Pipe straps, conduit clamps and hangers

C-716 — Isolator for copper tubing & S716 — Cushioned strip

C-716 — Isolator for copper tubing

Features

- Designed for use with Superstrut® channel and pipe straps and Superstrut® C-711 Hangers, and may also be used with all standard flatbar or malleable iron hangers.

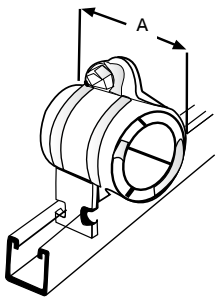
Materials

- Manufactured from one-piece steel shell with reinforcing ribs for stiffening and alignment. Padding is of processed non-conducting hairfelt and is cemented to the metal. Design of ribs creates a hinge so isolator may be opened and closed to install.

Application

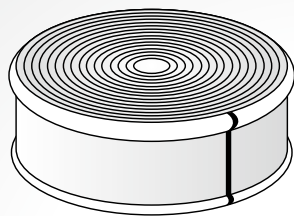
- To provide a means to effectively isolate copper tubing from its supports to prevent the transmission of sound and vibration.

C-716 — Isolator for copper tubing

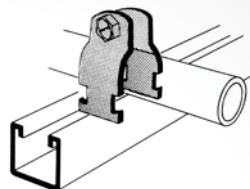


Cat. No.	Size (in)	Nominal pipe size (in)	Hanger, C-711 or pipe strap, 702	Width A (in)	STD CTN
C716 1/2	1/2	1/2	3/4	2 3/8	100
C-716-3/4	3/4	3/4	3/4	2 3/8	100
C-716-1	1	1	1	2 3/8	100
C-716-1-1/4	1 1/4	1 1/4	1 1/4	2 3/8	50
C-716-1-1/2	1 1/2	1 1/2	1 1/2	2 3/8	50
C-716-2	2	2	2 1/2	2 3/8	50
C-716-2-1/2	2 1/2	2 1/2	3	2 15/32	50
C-716-3	3	3	3 1/2	2 3/8	50
C-716-3-1/2	3 1/2	3 1/2	4	4 1/4	30
C-716-4	4	4	5	4 1/4	20

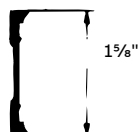
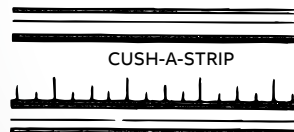
Order by Cat. No. and size.
Standard finish – GoldGalv®



S716
Sold in a carton of 20 feet.



Order 701 clamp separately.



S716 — Cushioned strip — For isolation and vibration applications

For use with 701 O.D. tubing and pipe clamp. To determine 701 clamp size, add 1/4" to O.D. tube size to allow for the cushioned strip material.

1/4" markings for fast measuring and cutting. Measurement chart is printed on back of carton. 20 feet included in each carton.

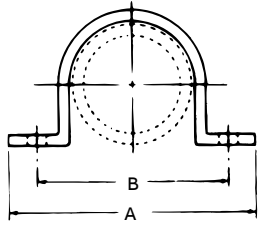
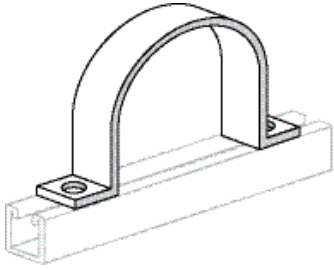
Prevent metal-to-metal contact with the cushioned strip material. It aids in sound insulation, shock absorption and protects against corrosion, distortion and abrasion. Cushioned strip material is designed for optimal use between -30° F and 300° F. Cushioned strip material combined with the Superstrut® 701 pipe strap can handle clamping assignments from 1/4" to 6.

Pipe straps, conduit clamps and hangers

C-708-U — Short strap for channel or wall mounting

C-708-U — Short strap for channel or wall mounting

Cat. No.	Pipe size	Dimensions (in)				Design load (lbs)	STD CTN
		A	B	Hole size	Stock size		
C-708-U-1/2	1/2	2 7/8	2	9/32	1/8 x 1 5/8	650	50
C-708-U-3/4	3/4	3 1/16	2 3/16	9/32	1/8 x 1 5/8	650	50
C-708-U-1	1	3 3/8	2 1/2	9/32	1/8 x 1 5/8	650	50
C-708-U-1-1/4	1 1/4	3 11/16	2 3/16	9/32	1/8 x 1 5/8	650	25
C-708-U-1-1/2	1 1/2	3 15/16	3 1/16	9/32	1/8 x 1 5/8	650	25
C-708-U-2	2	5 3/4	4 1/8	7/16	1/4 x 1 5/8	650	25
C-708-U-2-1/2	2 1/2	6 3/16	4 9/16	7/16	1/4 x 1 5/8	1,000	25
C-708-U-3	3	6 3/16	5 3/16	7/16	1/4 x 1 5/8	1,000	25
C-708-U-3-1/2	3 1/2	7 3/16	5 11/16	7/16	1/4 x 1 15/32	1,000	25
C-708-U-4	4	7 13/16	6 3/16	7/16	1/4 x 1 15/32	1,200	25
C-708-U-5	5	8 7/8	7 1/4	7/16	1/4 x 1 15/32	1,200	10
C-708-U-6	6	9 5/16	8 5/16	7/16	1/4 x 1 5/8	1,200	10

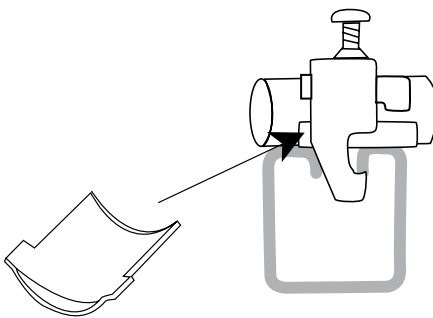


Carbon steel.
Standard finish – GoldGalv®

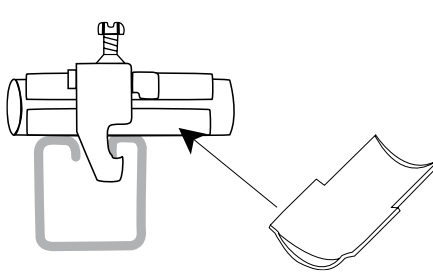
Pipe straps, conduit clamps and hangers

CB118 — Counter bed, EB118 — Extended bed & DB118 — Double bed

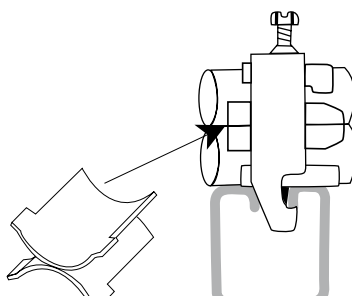
CB118 — Counter bed

	Cat. No.	STD CTN	Cat. No.	STD CTN
	CB118-047PG	100	CB118-140PG	100
	CB118-055PG	100	CB118-175PG	100
	CB118-070PG	100	CB118-200PG	100
	CB118-090PG	100	CB118-250PG	100
	CB118-110PG	100	CB118-300PG	100

EB118 — Extended bed

	Cat. No.	STD CTN	Cat. No.	STD CTN
	EB118-047PG	100	EB118-140PG	100
	EB118-055PG	100	EB118-175PG	1
	EB118-070PG	100	EB118-200PG	1
	EB118-090PG	100	EB118-250PG	1
	EB118-110PG	100	EB118-300PG	1

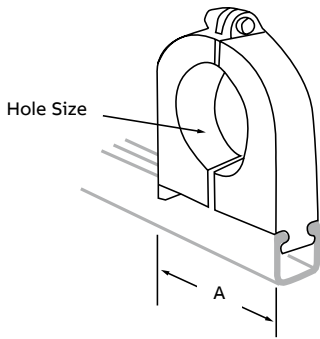
DB118 — Double bed

	Cat. No.	STD CTN	Cat. No.	STD CTN
	DB118-047PG	1	DB118-070PG	1
	DB118-055PG	1	DB118-090PG	1

Pipe straps, conduit clamps and hangers

C-755 — Porcelain cable clamps

C-755 — Porcelain cable clamps



Cat. No.	Hole size (in)	A (in)	STD CTN
C-755-1A	$\frac{3}{8}$	$1\frac{7}{16}$	10
C-755-1B	$\frac{1}{2}$	$1\frac{7}{16}$	10
C-755-1C	$\frac{5}{8}$	$1\frac{7}{16}$	10
C-755-2	$\frac{3}{4}$	$2\frac{5}{32}$	10
C-755-2A	$\frac{7}{8}$	$2\frac{5}{32}$	10
C-755-2B	1	$2\frac{5}{32}$	10
C-755-2C	$1\frac{1}{8}$	$2\frac{5}{32}$	10
C-755-3	$1\frac{1}{4}$	$2\frac{5}{8}$	10
C-755-3A	$1\frac{3}{8}$	$2\frac{5}{8}$	10
C-755-3B	$1\frac{1}{2}$	$2\frac{5}{8}$	10
C-755-3C	$1\frac{5}{8}$	$2\frac{5}{8}$	10
C-755-4	$1\frac{3}{4}$	$3\frac{5}{8}$	10
C-755-4A	$1\frac{7}{8}$	$3\frac{5}{8}$	10
C-755-4B	2	$3\frac{5}{8}$	10
C-755-4C	$2\frac{1}{8}$	$3\frac{5}{8}$	10
C-755-5	$2\frac{1}{4}$	$4\frac{1}{4}$	10
C-755-5A	$2\frac{3}{8}$	$4\frac{1}{4}$	10
C-755-5B	$2\frac{1}{2}$	$4\frac{1}{4}$	10
C-755-5C	$2\frac{5}{8}$	$4\frac{1}{4}$	10
C-755-6	$2\frac{5}{8}$	$4\frac{5}{8}$	10
C-755-6A	$2\frac{7}{8}$	$4\frac{5}{8}$	10
C-755-6B	3	$4\frac{5}{8}$	10
C-755-6C	$3\frac{1}{8}$	$4\frac{5}{8}$	10
C-755-7	$3\frac{1}{4}$	$5\frac{13}{16}$	10
C-755-7A	$3\frac{3}{8}$	$5\frac{13}{16}$	10
C-755-7B	$3\frac{1}{2}$	$5\frac{13}{16}$	10
C-755-7C	$3\frac{5}{8}$	$5\frac{13}{16}$	10
C-755-8	$3\frac{5}{8}$	$6\frac{7}{8}$	5
C-755-8A	$3\frac{7}{8}$	$6\frac{7}{8}$	5
C-755-8B	4	$6\frac{7}{8}$	5
C-755-8C	$4\frac{1}{8}$	$6\frac{7}{8}$	5
C-755-8D	$4\frac{1}{4}$	$6\frac{7}{8}$	5
C-755-8E	$4\frac{3}{8}$	$6\frac{7}{8}$	5
C-755-8F	$4\frac{1}{2}$	$6\frac{7}{8}$	5

Finish – GoldGalv® brand with bronze hardware.
Also fits $1\frac{1}{2}$ " wide channel.

Pipe straps, conduit clamps and hangers

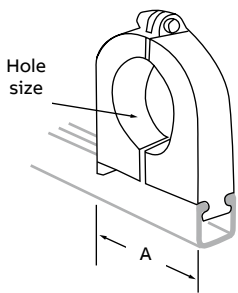
C-755 — TPE cable clamps



An easy-to-use one-piece insulator made from Sarlink 4339D, a flame-retardant, high hardness grade TPE polymer that is UL Listed. The tapered flange of the insulator ensures complete isolation and protection of the cable. Options include a Stainless Steel Clamp and hardware or an Electro-Galvanized Clamp with Everdur nut and bolt.

- Non-breakable TPE material
- Exceptional chemical resistance
- Dielectric strength of 640 volts per mil
- Stainless Steel Clamps Type 304 or 316
- Electro-Galvanized Steel Clamps with Everdur Nut and Bolt
- Flame-retardant TPE insulator
- Excellent UV resistance

C-755 — TPE cable clamps




Cat. No.	Hole size (in)	A (in)	Cat. No.	Hole size (in)	A (in)
C755 1ATP	3/8	1.36	C-755-5B-TP	2 1/2	3.36
C-755-1B-TP	1/2	1.36	C-755-5C-TP	2 5/8	3.36
C-755-1C-TP	5/8	1.36	C-755-6-TP	2 3/4	3.86
C-755-2-TP	3/4	1.86	C-755-6A-TP	2 7/8	3.86
C-755-2A-TP	7/8	1.86	C-755-6B-TP	3	3.86
C-755-2B-TP	1	1.86	C-755-6C-TP	3 1/8	3.86
C-755-2C-TP	1 1/8	1.86	C-755-7-TP	3 1/4	4.36
C-755-3-TP	1 1/4	2.36	C-755-7A-TP	3 3/8	4.36
C-755-3A-TP	1 3/8	2.36	C-755-7B-TP	3 1/2	4.36
C-755-3B-TP	1 1/2	2.36	C-755-7C-TP	3 5/8	4.36
C-755-3C-TP	1 5/8	2.36	C-755-8-TP	3 3/4	4.86
C-755-4-TP	1 3/4	2.86	C-755-8A-TP	3 7/8	4.86
C-755-4A-TP	1 7/8	2.86	C-755-8B-TP	4	4.86
C-755-4B-TP	2	2.86	C-755-8C-TP	4 1/8	4.86
C-755-4C-TP	2 1/8	2.86	C-755-8D-TP	4 1/4	5.24
C-755-5-TP	2 1/4	3.36	C-755-8E-TP	4 3/8	5.24
C-755-5A-TP	2 3/8	3.36	C-755-8F-TP	4 1/2	5.24

Pipe straps, conduit clamps and hangers


HS Series two-hole pipe strap & HS Series one-hole pipe strap

HS Series two-hole pipe strap

	Cat. No.	Pipe size (in)	STD CTN
	HS901	1/2	500
	HS902	3/4	500
	HS903	1	500
	HS904	1 1/4	250
	HS905	1 1/2	250
	HS906	2	125
	HS907	2 1/2	125
	HS908	3	100
	HS909	3 1/2	75
	HS910	4	50

Standard finish — Galvanized.
Carbon steel.
Specify pipe size and catalog number.
For stainless steel, add suffix SS.

HS Series one-hole pipe strap

	Cat. No.	Pipe size (in)	STD CTN
	HS100	3/8	500
	HS101	1/2	500
	HS102	3/4	500
	HS103	1	500
	HS104	1 1/4	250
	HS105	1 1/2	250
	HS106	2	50
	HS107	2 1/2	25
	HS108	3	25
	HS109	3 1/2	25
HS110	4	25	

For stainless steel, add suffix SS.

Pipe straps, conduit clamps and hangers

C-720, C-720SS — Extension riser clamp

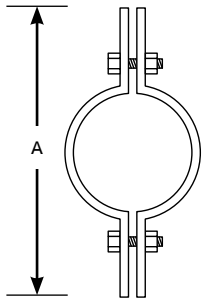
Designed for the support or steadying of vertical pipe risers. It is made of carbon steel and is designed to hold tight to the pipe, transmitting the load to the structure through the ears on each end. When possible, the clamp should be placed under a coupling, hub or lugs welded to the pipe.

Specifications

- Material: Carbon Steel
- Compliance: Federal Specification A-A-1192A Type 8, MSS-SP-69 (Type 8) and BSPSS-BS3974.
- Finish: Standard finish – GoldGalv®, Black (add suffix “-B”), Electro-Galvanized (add suffix “-EG”).

Note: This product is not designed to be supported with rods. Install using the maximum suggested torque values shown in the Technical Section of this catalog.

C-720, C-720SS — Extension riser clamp



Cat. No.	Pipe size (in)	Max. load (lbs)	A (in)	Weight each (lbs)
C-720-1/2	1/2	255	9	1.00
C-720-3/4	3/4	255	8 ⁷ / ₈	1.08
C-720-1	1	255	8 ⁷ / ₈	1.08
C-720-1-1/4	1 ¹ / ₄	255	10	1.86
C-720-1-1/2	1 ¹ / ₂	255	10 ¹ / ₄	1.22
C-720-2	2	255	10 ¹ / ₄	1.30
C-720-2-1/2	2 ¹ / ₂	390	11 ¹ / ₄	1.74
C-720-3	3	530	11 ³ / ₈	1.98
C-720-3-1/2	3 ¹ / ₂	670	12 ⁷ / ₈	2.14
C-720-4	4	810	12 ⁷ / ₈	2.28
C-720-5	5	1,160	13 ³ / ₄	3.60
C-720-6	6	1,570	14 ³ / ₄	3.68
C-720-8	8	2,500	18 ¹ / ₂	7.26
C720 10	10	2,500	20 ³ / ₄	11.00
C-720-12	12	2,700	22 ³ / ₄	15.94
C-720-14	14	2,700	24	17.36
C-720-16	16	2,900	26	29.68
C-720-18	18	2,900	28	31.64
C-720-20	20	2,900	30	34.84
C-720-24	24	2,900	34	50.00

Standard finish – GoldGalv®, unless otherwise stated.

Pipe straps, conduit clamps and hangers

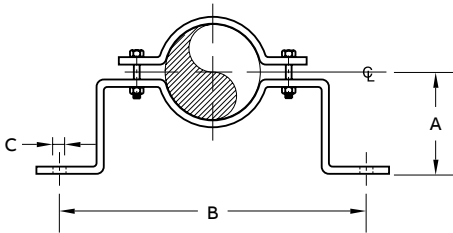
C-720L — Offset pipe clamp

The offset pipe clamp is used on pipe lines running at a fixed distance from a wall or floor. The standard clearance is two inches from the O.D. of pipe to the face of the surface. Non-standard clearances can be fabricated upon request.

Specifications

- Material: Carbon Steel
- Load Rating: Up to 650° F (343° C)
- Finish: Standard finish – GoldGalv®, Black (add suffix “-B”), Electro-Galvanized (add suffix “-EG”)
- Ordering: Specify pipe size, catalog number and finish

C-720L — Offset pipe clamp

	Cat. No.	Pipe size (in)	Max. load (lbs)	A (in)	B (in)	C (in)	Weight each (lbs)
	C-720L-1/2	1/2	190	2 ⁷ / ₁₆	8 ¹ / ₂	7 ¹ / ₁₆	1.1
	C-720L-3/4	3/4	190	2 ³ / ₄	8 ³ / ₄	7 ¹ / ₁₆	1.3
	C-720L-1	1	190	2 ⁷ / ₈	9 ¹ / ₄	7 ¹ / ₁₆	1.4
	C-720L-1-1/4	1 ¹ / ₄	190	3 ¹ / ₁₆	9 ³ / ₄	7 ¹ / ₁₆	1.5
	C-720L-1-1/2	1 ¹ / ₂	190	3 ³ / ₁₆	10	7 ¹ / ₁₆	1.6
	C-720L-2	2	420	3 ¹ / ₂	11 ¹ / ₄	9 ¹ / ₁₆	2.8
	C-720L-2-1/2	2 ¹ / ₂	420	3 ³ / ₄	11 ³ / ₄	9 ¹ / ₁₆	2.9
	C-720L-3	3	420	4 ¹ / ₁₆	12 ⁷ / ₈	9 ¹ / ₁₆	3.2
	C-720L-4	4	610	4 ⁹ / ₁₆	13 ⁷ / ₈	9 ¹ / ₁₆	4.2
	C-720L-5	5	610	5 ¹ / ₁₆	15 ⁵ / ₈	11 ¹ / ₁₆	6.5
	C-720L-6	6	870	5 ⁵ / ₈	16 ³ / ₄	11 ¹ / ₁₆	7.2
	C-720L-8	8	870	6 ⁵ / ₈	18 ³ / ₄	11 ¹ / ₁₆	8.3
C-720L-10	10	1,050	7 ³ / ₈	21 ¹ / ₂	13 ¹ / ₁₆	12.4	
C-720L-12	12	1,200	8 ³ / ₈	24 ⁷ / ₈	13 ¹ / ₁₆	21.0	

Standard finish – GoldGalv®, unless otherwise stated.

Pipe straps, conduit clamps and hangers

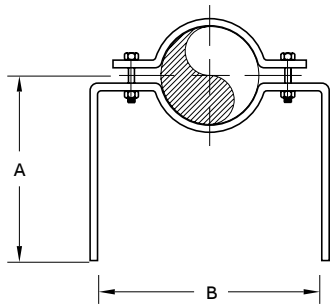
CX-725 — Extended offset pipe clamp

Designed to attach directly to piping where the exact distance between the structure and the pipe cannot be determined until the piping is in place. The extended legs can be modified in the field to suit the location. Legs of longer lengths can be furnished on order.

Specifications

- Material: Carbon Steel
- Finish: Standard finish – Black (add suffix “-B”), Electro-Galvanized (add suffix “-EG”)
- Ordering: Specify pipe size, catalog number and finish

CX-725 — Extended offset pipe clamp



Cat. No.	Pipe size (in)	A (in)	B (in)	Weight each (lbs)
CX-725-3/8	3/8	12	3 3/4	1.85
CX-725-1/2	1/2	12	3 3/4	1.85
CX-725-3/4	3/4	12	4 3/4	1.85
CX-725-1	1	12	5 1/2	2.34
CX-725-1-1/4	1 1/4	12	5 7/8	2.40
CX-725-1-1/2	1 1/2	12	6 1/8	2.45
CX-725-2	2	12	7	3.13
CX-725-2-1/2	2 1/2	12	7 1/2	4.21
CX-725-3	3	12	7 7/8	4.47
CX-725-4	4	12	10 1/2	4.90
CX-725-5	5	12	12 1/4	4.90
CX-725-6	6	12	13	5.32
CX-725-8	8	12	15 1/4	11.20
CX-725-10	10	12	18 1/4	13.50
CX-725-12	12	12	20 3/4	22.00
CX-725-14	14	12	21	35.00

Standard finish – GoldGalv®, unless otherwise stated.

Pipe straps, conduit clamps and hangers

C-720P — PVC-coated riser clamp

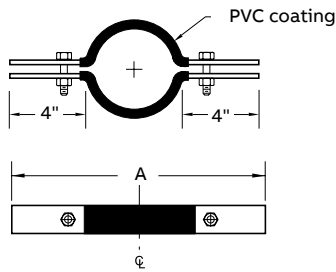
The C-720P is normally used for the support of uninsulated vertical piping where no movement will occur. PVC coating the contact surface prevents galvanic corrosion with the pipe. Please use our C-720 for carbon steel piping or CT-720 for copper tubing requirements.

Note: This product is not designed to be supported with rods. Install using the maximum suggested torque values shown in the Technical Section of this catalog.

Specifications

- Material: Carbon Steel
- Compliance: Federal Specification A-A-1192A Type 8, MSS-SP-69 T 1400° F/600° C
- Finish: Polyvinyl Chloride
- Ordering: Specify pipe size and catalog number

C-720P — PVC-coated riser clamp



Cat. No.	Pipe size (in)	Max. load (lbs)	A (in)	Weight each (lbs)
C720P-1/2	1/2	225	9 5/8	1.30
C-720P-3/4	3/4	225	9 5/8	1.36
C-720P-1	1	225	9 5/8	1.38
C-720P-1-1/4	1 1/4	225	10	1.95
C-720P-1-1/2	1 1/2	225	10 3/8	2.01
C-720P-2	2	225	10 3/4	2.17
C-720P-2-1/2	2 1/2	390	11 1/4	2.29
C-720P-3	3	530	12	2.50
C-720P-4	4	810	13 1/2	3.42

Standard finish – GoldGalv®, unless otherwise stated.

Pipe straps, conduit clamps and hangers

CT-720 — Copper riser clamp

Normally used for the support of uninsulated vertical tubing where no movement will occur. Please use C-720 for carbon steel piping or C-720P for plastic coating requirements.

Note: This product is not designed to be supported with rods. Install using the maximum suggested torque values shown in the Technical Section of this catalog.

Specifications

- Material: Carbon Steel
- Compliance: Federal Specification A-A-1192A Type 8, MSS-SP-69 Type 8
- Finish: Copper
- Ordering: Specify tubing size and catalog number

CT-720 — Copper riser clamp

	Cat. No.	Tube size (in)	Max. load (lbs)	A (in)	Weight each (lbs)
	CT-720-1/2	1/2	220	9 3/16	.70
	CT-720-3/4	3/4	220	9 3/16	.74
	CT720 1	1	220	9 1/2	.75
	CT-720-1-1/4	1 1/4	220	9 3/4	.77
	CT-720-1-1/2	1 1/2	220	10 1/8	.80
	CT-720-2	2	220	10 1/2	.84
	CT-720-2-1/2	2 1/2	390	11	1.60
	CT-720-3	3	530	11 5/8	1.80
	CT-720-3-1/2	3 1/2	530	12 5/8	1.95
	CT-720-4	4	530	13 3/8	2.04
	CT-720-5	5	810	14	3.50
	CT-720-6	6	1,570	15	5.25

Standard finish – GoldGalv®, unless otherwise stated.

Pipe straps, conduit clamps and hangers

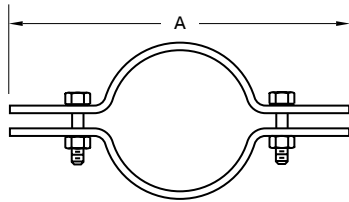
C-724 — Ductile iron pipe clamp

Can be used to secure mechanical joint piping or socket fittings together to prevent separation under pressure either under or above ground, vertically or horizontally. If using in this fashion, two (2) W-724 Socket Clamp Washers and Figure 133 Rods are also required, but must be ordered separately. The C-724 may also be used to support and guide vertical ductile iron pipe.

Specifications

- Materials: Carbon Steel
- Finish: Standard finish – GoldGalv®, Black (add suffix “-B”), Electro-Galvanized (add suffix “-EG”)
- Ordering: Specify pipe size, catalog number and finish

C-724 — Ductile iron pipe clamp



Cat. No.	Pipe size (in)	Actual pipe O.D.	A (in)	Washer size (in)	Weight each (lbs)
C-724-3	3	3.96	12¼	¾	9.00
C-724-4	4	4.8	13¾	¾	9.00
C-724-6	6	6.9	15¾	¾	10.70
C-724-8	8	9.05	18	¾	12.20
C-724-10	10	11.1	20¾	¾	14.60
C-724-12	12	13.2	22¾	¾	16.60
C-724-14	14	15.3	25½	1¼	41.90
C-724-16	16	17.4	28	1¼	61.90
C-724-18	18	19.5	33	1¼	65.10
C-724-20	20	21.6	35½	1½	92.20
C-724-24	24	25.8	40½	1½	122.70
C-724-30	30	32	48	1½	184.00

Standard finish – GoldGalv®, unless otherwise stated.

Pipe straps, conduit clamps and hangers

C-725 — Two-bolt pipe clamp

Designed to suspend cold or hot pipe lines where little or no insulation is required. The C-725 is usually used with an E-120-A Weldless Eynut or E-157 Welded Eyerod. See Figure 298 heavy-duty Two-Bolt Clamp when higher loads are required. We will also design to meet special requirements such as special pipe sizes.

Rated Loads are for up to 750° F (399° C).

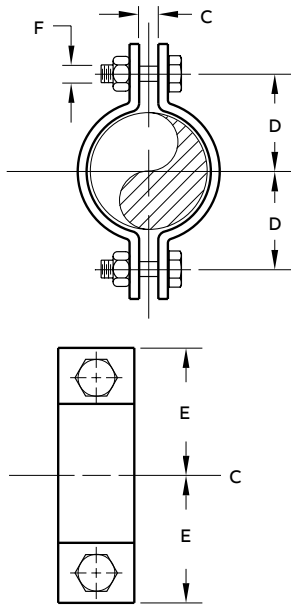
Specifications

- Material: Carbon Steel
- Compliance: Federal Specification A-A-1192A Type 4, MSS-SP-69 Type 4 and BSPSS-BS3974
- Finish: Standard finish – GoldGalv®, Black (add suffix “-B”), Electro-Galvanized (add suffix “-EG”)
- Ordering: Specify catalog number, finish and pipe size. Also, include any special requirements for C-725

C-725 — Two-bolt pipe clamp

Cat. No.	Pipe size (in)	Maximum load		C (in)	Rod take out D (in)	E (in)	F (in)	Weight each (lbs)
		650° F / 343° C	750° F / 343° C					
C725 1/2	1/2	500	445	3/8	1 1/8	1 5/8	3/8	.31
C-725-3/4	3/4	500	445	3/8	1 1/4	1 3/4	3/8	.35
C-725-1	1	500	445	3/8	1 3/8	1 7/8	3/8	.39
C-725-1-1/4	1 1/4	500	445	3/8	1 5/8	2 1/8	3/8	.40
C-725-1-1/2	1 1/2	800	715	3/8	1 3/4	2 1/4	3/8	.45
C-725-2	2	1,040	930	1/2	2 1/8	2 5/8	1/2	1.23
C-725-2-1/2	2 1/2	1,040	930	5/8	2 5/8	3 1/8	1/2	1.33
C-725-3	3	1,040	930	5/8	3	3 1/2	1/2	1.53
C-725-4	4	1,040	930	3/4	3 5/8	4 3/8	1/2	2.20
C-725-5	5	1,040	930	3/4	4 1/4	5	1/2	2.39
C-725-6	6	1,615	1,440	7/8	5 1/4	6 1/4	3/4	5.87
C-725-8	8	1,615	1,440	1	6 3/8	7 3/8	3/4	6.95
C-725-10	10	2,490	2,220	1	7 5/8	8 3/4	7/8	14.39
C-725-12	12	2,490	2,220	1 1/8	8 3/4	10 1/4	7/8	16.73
C-725-14	14	2,490	2,220	1 1/8	9 1/4	10 5/8	7/8	21.26
C-725-16	16	2,490	2,220	1 1/8	10 1/4	11 5/8	7/8	23.39
C-725-18	18	3,060	2,730	1 1/4	11 5/8	13	1	32.96
C-725-20	20	3,060	2,730	1 3/8	12 3/4	14 1/8	1 1/8	36.74
C-725-24	24	3,060	2,730	1 1/2	15 1/4	16 7/8	1 1/8	52.96
C-725-30	30	3,500	3,360	2	18 1/2	20 3/4	1 1/2	103.50

Standard finish – GoldGalv®, unless otherwise stated.



Pipe straps, conduit clamps and hangers

C-726 — Three-bolt pipe clamp

Designed for hot-insulated pipe lines up to 750° F. The spacer on the top inner bolt provides uniform space for the connecting eyerod or weldless eyenut. We will also design to meet special requirements such as special pipe sizes. Rated Loads are for up to 750° F (399° C).

Specifications

- Material: Carbon Steel
- Federal Specification A-A-1192A Type 3, MSS-SP-69 Type 3 and BSPSS-BS3974
- Finish: Standard finish – GoldGalv®, Black (add suffix “-B”), Electro-Galvanized (add suffix “-EG”)
- Ordering: Specify catalog number, finish and pipe size. Also, include any special requirements

C-726 — Three-bolt pipe clamp

Cat. No.	Pipe size (in)	Maximum load		B (in)	C (in)	D (in)	Take out E (in)	F (in)	H (in)	Weight each (lbs)
		650° F/ 343° C	750° F/ 399° C							
C-726-1/2	½	950	845	1	⅝	2⅞	2¼	⅜	1⅝	.61
C-726-3/4	¾	950	845	1⅝	⅝	3¼	2½	⅜	1¾	.66
C-726-1	1	950	845	1½	⅝	3¼	2½	⅜	2¼	.69
C-726-1/4	1¼	950	845	1½	¾	3⅝	2⅞	⅜	2¼	.75
C-726-1-3/4	1¾	1,545	1,380	1¾	1	4⅞	4¼	⅝	2½	2.14
C-726-2	2	1,545	1,380	2¼	1¼	5⅞	5¼	⅝	2¾	2.43
C-726-2-3/4	2¾	1,545	1,380	2¼	1¼	6¼	5⅞	⅝	3	2.92
C-726-3	3	1,545	1,380	2¾	1¼	6⅝	6	⅝	3½	3.19
C-726-4	4	2,500	2,230	3⅝	1	7⅞	6½	¾	4½	7.12
C-726-5	5	2,500	2,230	4	1¼	8¼	7	¾	5¼	7.96
C-726-6	6	2,865	2,555	4¾	1¼	9⅞	8¼	⅞	6¼	11.85
C-726-8	8	2,865	2,555	5¾	1¼	10⅞	9¼	⅞	7¼	13.59
C-726-10	10	3,240	2,890	6⅞	1¼	12	10½	1	8¼	21.33
C-726-12	12	3,240	2,890	8⅞	1½	13	11½	1	9⅞	23.65
C-726-14	14	4,300	3,835	9¼	2	14⅞	12¾	1¼	10¾	38.78
C-726-16	16	4,300	3,835	10	2	15⅞	14	1¼	11¾	42.89
C-726-18	18	4,300	3,835	11⅞	2	16¾	15¼	1¼	13¼	46.35
C-726-20	20	4,500	4,015	12⅞	2	17½	15⅞	1⅝	14	58.67
C-726-24	24	5,490	4,900	14¾	2	19⅞	17⅞	1½	16⅞	89.32
C-726-30	30	7,500	6,690	18½	1½	26⅞	23⅞	1½	21	140.89
C-726-36	36	1,0500	9,360	22½	3	32¼	28¾	1¾	26	246.44

Standard finish – GoldGalv®, unless otherwise stated.

Pipe straps, conduit clamps and hangers

Pipe clamps — A-726, alloy three-bolt pipe clamp

Designed for hot-insulated pipelines. The spacer on the top inner bolt provides uniform space for the connecting eyerod or weldless eyenut.

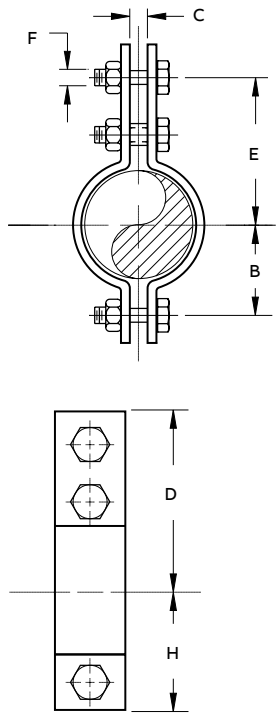
Temperature range: above 750° F (399° C) to 1050° F (566° C).

Specifications

- Material: Chromium Molybdenum Steel, ASTM A-387 Grade 22
- Compliance: Federal Specification A-A-1192A Type 3, MSS-SP-69 Type 3 and BSPSS-BS3974
- Finish: Standard finish – GoldGalv®, Black (add suffix “-B”), Electro-Galvanized (add suffix “-EG”)
- Ordering: Specify catalog number and pipe size

Pipe clamps — A-726, alloy three-bolt pipe clamp

Cat. No.	Pipe size (in)	Maximum load			B (in)	C (in)	D (in)	Take out E (in)	F (in)	H (in)	Weight each (lbs)
		950° F/ 510° C	1000° F/ 538° C	1050° F/ 566° C							
A-726-3/4	3/4	870	600	440	1 1/8	5/8	3	2 1/2	3/8	1 1/8	1.09
A-726-1	1	870	600	440	1 1/4	5/8	3 3/8	2 5/8	3/8	1 3/4	1.14
A-726-1-1/4	1 1/4	870	600	440	1 1/2	3/4	3 3/4	2 7/8	3/8	2 1/4	1.23
A-726-1-1/2	1 1/2	1,400	1,000	700	1 3/4	1	4 7/8	4 1/8	5/8	2 3/8	2.48
A-726-2	2	1,400	1,000	700	2 1/8	1	5 7/8	5 1/8	5/8	2 3/4	2.70
A-726-2-1/2	2 1/2	1,400	1,000	700	2 1/4	1	6 1/8	5 3/8	5/8	3	2.76
A-726-3	3	1,400	1,000	700	2 3/4	1	6 3/4	6	5/8	3 1/2	3.19
A-726-4	4	2,300	1,600	1,100	3 3/8	1	7 7/8	6 1/2	3/4	4 1/2	7.30
A-726-5	5	2,300	1,600	1,100	4	1 1/8	8 1/8	7	3/4	5 1/8	7.96
A-726-6	6	2,600	1,800	1,300	4 3/4	1 1/4	10	8 5/8	7/8	6 1/8	12.26
A-726-8	8	2,600	1,800	1,300	5 3/4	1 1/4	11	9 5/8	7/8	7 1/8	14.04
A-726-10	10	3,000	2,100	1,500	6 7/8	1 1/4	12	10 1/2	1	8 1/4	21.33
A-726-12	12	3,000	2,100	1,500	8 3/8	1 1/2	13 1/8	11 5/8	1	9 7/8	24.00
A-726-14	14	3,900	2,800	2,000	9 1/8	2	14 1/8	12 3/4	1 1/4	10 3/4	38.78
A-726-16	16	3,900	2,800	2,000	10	2	15 1/8	14	1 1/4	11 3/4	43.13
A-726-18	18	3,900	2,800	2,000	11 5/8	2	16 3/4	15 1/8	1 1/4	13 3/4	47.78
A-726-20	20	5,000	3,200	2,000	12 3/8	2	17 1/2	15 7/8	1 1/8	14	58.67
A-726-24	24	5,500	3,500	2,700	14 3/4	1 1/2	19 7/8	17 7/8	1 1/2	16 3/8	90.82



Standard finish – GoldGalv®, unless otherwise stated.

Pipe straps, conduit clamps and hangers

Pipe hangers — C-710, C-710F, C-710P, C-710SS

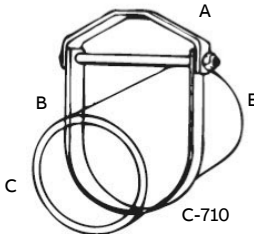
Designed to support non-insulated, stationary lines from above, allowing for approximately 1" to 1½" of vertical adjustment after the pipe is in place. The lower nut (not furnished) adjusts the pipe line to the proper elevation, the top nut (not furnished) prevents loosening due to vibration and must be tightened securely to assure proper hanger performance.

Rated Loads are for up to 650° F (343° C) for carbon steel. Maximum PVC temperature is 140° F (60° C).

Specifications

- Material: Carbon Steel (Also available in Stainless Steel as C-710SS)
- Compliance: Federal Specification A-A-1192A Type 1, MSS-SP-69 Type 1, BSPSS-BS3974, UL and FM
- Finish: Standard finish – GoldGalv®, Black (add suffix “-B”), Electro-Galvanized (add suffix “-EG”)
- Ordering: Specify catalog number, finish and pipe size

Pipe hangers — C-710, C-710F, C-710P, C-710SS

	Cat. No.	Pipe size (in)	Max. load (lbs)	A (in)	B (in)	C (in)	Rod take out E (in)	Weight each (lbs)
	C-710-1/2	½	610	⅜	2¼	3⅜	1⅞	.27
	C-710-¾	¾	610	⅜	2½	2¾	1½	.29
	C-710-1	1	610	⅜	3	3¾	2¼	.33
	C-710-1-¼	1¼	610	⅜	3⅞	4	2¼	.36
	C-710-1-½	1½	610	⅜	3¾	4¼	2⅜	.42
	C-710-2	2	610	⅜	3⅞	4⅝	3⅞	.52
	C-710-2-½	2½	1,130	½	4⅞	5⅝	3⅞	.61
	C-710-3	3	1,130	½	5	6¾	4⅞	.90
	C-710-3-½	3½	1,130	½	4½	6⅝	3⅝	.99
	C-710-4	4	1,430	⅝	5⅞	7¾	4⅞	1.40
	C-710-5	5	1,430	⅝	6	8⅞	5	2.10
	C-710-6	6	1,940	¾	7	10½	5⅞	3.00
	C-710-7	7	2,000	¾	7⅞	11¾	6½	5.42
	C-710-8	8	2,000	¾	8½	12¾	6¾	5.25
	C-710-10	10	3,600	⅞	10	15⅝	8¼	9.10
	C-710-12	12	3,800	⅞	11⅞	17½	9¼	11.75
	C-710-14	14	4,200	1	12½	19½	10⅝	14.25
C-710-16	16	4,800	1	15	23	13⅞	20.75	
C-710-18	18	4,800	1¼	15¾	24¾	13¾	23.00	
C-710-20	20	4,800	1¼	17⅞	27⅞	15¼	41.50	
C-710-24	24	4,800	1¼	19⅞	31⅞	17½	50.00	
C-710-30	30	6,000	1¼	24¾	40¾	21¾	68.08	
C-710-36	36	9,500	1½	32⅞	50⅞	30	68.68	

Standard finish – GoldGalv®, unless otherwise stated.

Pipe straps, conduit clamps and hangers

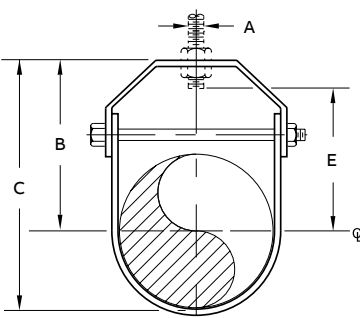
CL-710 — Light-duty clevis hanger

Designed to support non-insulated, stationary lines from above, allowing for approximately 1" to 1½" of vertical adjustment after the pipe is in place. The lower nut (not furnished) adjusts the pipe line to the proper elevation, the top nut (not furnished) prevents loosening due to vibration and must be tightened securely to assure proper hanger performance.

Specifications

- Material: Carbon Steel
- Compliance: Federal Specification A-A-1192A Type 1, MSS-SP-69 Type 1
- Finish: Standard finish – GoldGalv®, Black (add suffix “-B”), Electro-Galvanized (add suffix “-EG”)
- Ordering: Specify catalog number, finish and pipe size

CL-710 — Light-duty clevis hanger



Cat. No.	Pipe size (in)	Max. load (lbs)	A (in)	B (in)	C (in)	E (in)	Weight each (lbs)
CL710 1/2	½	150	⅜	1⅞	2⅜	¾	.27
CL-710-3/4	¾	250	⅜	2⅜	2⅞	1½	.29
CL-710-1	1	250	⅜	2⅜	3⅞	1⅝	.33
CL-710-1-1/4	1¼	250	⅜	2⅞	3¾	2⅝	.36
CL-710-1-1/2	1½	250	⅜	3	4	2¼	.42
CL-710-2	2	250	⅜	3½	4¾	2¾	.52
CL-710-2-1/2	2½	350	½	4	5½	2⅞	.81
CL-710-3	3	350	½	4¼	6⅝	3¼	.90
CL-710-3-1/2	3½	350	½	4⅝	6½	3⅝	.99
CL-710-4	4	400	⅝	5½	7⅞	4⅝	1.40

Standard finish – GoldGalv®, unless otherwise stated.

Pipe straps, conduit clamps and hangers

CTL-710 — Copper clevis hanger

Designed to support non-insulated, stationary copper tubing lines from above, allowing for approximately 1" to 1½" of vertical adjustment after the tubing is in place. The lower nut (not furnished) adjusts the pipe line to the proper elevation. The top nut (not furnished) prevents loosening due to vibration and must be tightened securely to assure proper hanger performance.

Specifications

- Material: Carbon Steel
- Compliance: Federal Specification A-A-1192A Type 1, MSS-SP-69 Type 1 and BSPSS-BS3974. Rated Loads are for up to 650° F (343° C)
- Finish: Copper
- Ordering: Specify tubing size and catalog number

CTL-710 — Copper clevis hanger

	Cat. No.	Pipe size (in)	Max. load (lbs)	A (in)	B (in)	C (in)	Rod take out E (in)	Weight each (lbs)
	CTL710 1/2	½	150	⅜	2⅞	3⅞	2¼	.16
	CTL-710-3/4	¾	250	⅜	2⅞	3	1⅞	.16
	CTL-710-1	1	250	⅜	2⅞	3⅞	1⅞	.19
	CTL-710-1-1/4	1¼	250	⅜	3⅞	3¾	2⅜	.22
	CTL-710-1-1/2	1½	250	⅜	3⅞	4⅞	2⅞	.29
	CTL-710-2	2	250	⅜	3⅞	4⅞	2⅞	.32
	CTL-710-2-1/2	2½	350	½	3⅞	4⅞	2⅞	.72
	CTL-710-3	3	350	½	3⅞	5⅞	2⅞	.82
	CTL-710-3-1/2	3½	350	½	4⅞	5⅞	3⅞	.91
	CTL-710-4	4	350	½	4⅞	6¼	3½	1.07
	CTL-710-5	5	900	⅝	5	7¾	3⅞	1.76
CTL-710-6	6	900	⅝	5¾	8⅞	4⅞	1.92	

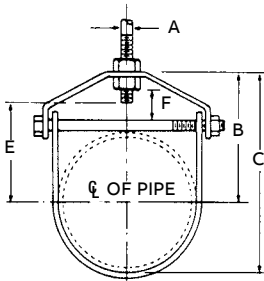
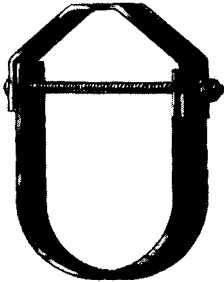
Standard finish – GoldGalv®, unless otherwise stated.

Pipe straps, conduit clamps and hangers

ETL-710 — Light-duty clevis hanger

ETL-710 — Light-duty clevis hanger

Cat. No.	Tubing size (in)	Material size	Dimensions						STD CTN
			A (in)	B (in)	C (in)	E (in)	F (in)		
ETL710 1/2	1/2	16 ga x 7/8	3/8	1 ³ / ₁₆	2 ³ / ₁₆	1 ¹ / ₄	9/16	100	
ETL-710-3/4	3/4	16 ga x 7/8	3/8	1 ³ / ₄	2 ¹ / ₄	1 ¹ / ₄	9/16	100	
ETL-710-1	1	16 ga x 7/8	3/8	1 ⁵ / ₈	2 ⁵ / ₁₆	1 ¹ / ₈	1/2	100	
ETL-710-1-1/4	1 ¹ / ₄	16 ga x 7/8	3/8	2	2 ³ / ₄	1 ¹ / ₈	1 ¹ / ₁₆	100	
ETL-710-1-1/2	1 ¹ / ₂	16 ga x 7/8	3/8	2 ³ / ₈	3 ³ / ₈	1 ¹ / ₄	1	100	
ETL-710-2	2	13 ga x 7/8	3/8	2 ¹¹ / ₁₆	4	1 ¹ / ₂	1 ¹ / ₁₆	100	
ETL-710-2-1/2	2 ¹ / ₂	1/8 x 1 ¹ / ₄	1/2	3 ¹ / ₄	4 ¹ / ₁₆	2	1 ¹ / ₈	100	
ETL-710-3	3	1/8 x 1 ¹ / ₄	1/2	3 ¹ / ₂	5 ³ / ₁₆	2 ¹ / ₄	1 ³ / ₁₆	100	
ETL-710-3-1/2	3 ¹ / ₂	1/8 x 1 ¹ / ₄	1/2	3 ³ / ₄	5 ¹¹ / ₁₆	2 ¹ / ₂	1 ¹ / ₈	100	
ETL-710-4	4	1/8 x 1 ¹ / ₄	1/2	4 ⁵ / ₁₆	6 ¹ / ₂	3	1 ³ / ₁₆	100	
ETL-710-5	5	3/16 x 1 ¹ / ₄	5/8	5	7 ¹ / ₁₆	3 ³ / ₈	1 ³ / ₁₆	50	
ETL-710-6	6	3/16 x 1 ¹ / ₄	5/8	5 ¹¹ / ₁₆	8 ³ / ₈	4 ¹ / ₈	1 ¹ / ₄	50	



Standard finish – GoldGalv®.
 Carbon Steel.
 Copper tube sized.
 For the suspension of stationary copper tubing lines. Order by Cat. No., tubing size.

Pipe straps, conduit clamps and hangers

CI-710 — Clevis hanger for ductile iron and A.W.W.A. cast iron pipe

Designed to support non-insulated, stationary ductile iron and A.W.W.A. cast iron lines from above, allowing for approximately 1" to 1½" of vertical adjustment after the pipe is in place. The lower nut (not furnished) adjusts the pipe line to the proper elevation. The top nut (not furnished) prevents loosening due to vibration and must be tightened securely to assure proper hanger performance.

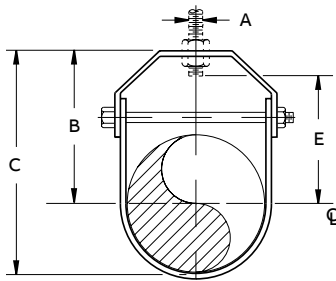
Specifications

- Material: Carbon Steel
- Compliance: MSS-SP-69 Type 1, A-A-1192A Type 1
- Finish: Standard finish – GoldGalv®, Black (add suffix “-B”), Electro-Galvanized (add suffix “-EG”)
- Ordering: Specify pipe size, catalog number and finish

CI-710 — Clevis hanger for ductile iron and A.W.W.A. cast iron pipe

Cat. No.	Pipe size (in)	Max. load (lbs)	Dimensions (in)			Rod take out E (in)	Weight each (lbs)
			A	B	C		
CI-710-4	4	1,430	¾	5¼	8⅞	4⅜	2.08
CI-710-6	6	1,940	7⁄8	7	10⅞	5½	2.78
CI-710-8	8	2,000	7⁄8	9¼	13¾	7¾	4.47
CI-710-10	10	3,600	7⁄8	10¼	15¾	8⅞	8.87
CI-710-12	12	3,800	7⁄8	12⅝	19¼	11	12.0
CI-710-14	14	4,200	1	14⅞	21¾	12¼	15.2
CI-710-16	16	4,800	1	14⅞	23⅝	13	23.6
CI-710-18	18	4,800	1¼	16½	26¼	14½	25.9
CI-710-20	20	4,800	1¼	18¾	29½	16½	44.3
CI-710-24	24	4,800	1¼	21⅞	34¾	19½	53.5

Standard finish – GoldGalv®, unless otherwise stated.



Pipe straps, conduit clamps and hangers

C-711 — J pipe hanger, C-711F — Felt-lined J pipe hanger & C-711P — Plastic-coated J pipe hanger

C-711 — J pipe hanger

- Standard finish – GoldGalv® brand
- Complies with Specification MSS SP 58, Type 5. Sizes through 5" conform to Ca. Code Title 24, Div. T22 for seismic restraint bracing.

C-711F — Felt-lined J pipe hanger

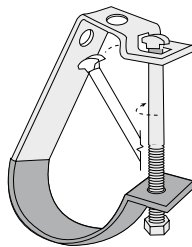
- Standard finish – GoldGalv® brand
- Available in sizes up to 8".

C-711P — Plastic-coated J pipe hanger

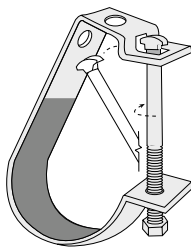
- Standard finish – GoldGalv® brand
- Isolates hanger from glass and other piping for corrosion or cushioning purposes. Available in sizes up to 4". Order by Cat. No. and pipe size. Hole provided for side mounting to wall as bracket.

C-711 series J pipe hangers

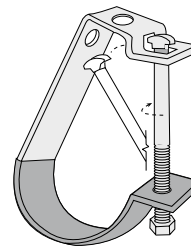
Cat. No.	Pipe size (in)	A rod size (in)	Dimensions (in)					Bolt size (in)	G (in)	Stock size	Max rec loads (lbs)	STD CTN
			B	C	D	E	F					
C-711-1/2	1/2	3/8	2 5/8	1 3/4	7/16	1 1/2	1 5/16	1/4	3 5/32	12 ga x 3/4	400	50
C-711-3/4	3/4	3/8	2 7/8	1 7/8	7/16	1 11/16	2 1/8	1/4	3 1/2	12 ga x 3/4	400	50
C-711-1	1	3/8	2 15/16	1 15/16	7/16	1 13/16	2 5/16	1/4	3 11/16	12 ga x 3/4	400	50
C-711-1-1/4	1 1/4	3/8	3 1/4	2	7/16	2 1/16	2 5/8	1/4	4 1/8	12 ga x 3/4	400	50
C-711-1-1/2	1 1/2	3/8	3 9/16	2 3/16	7/16	2 7/16	2 7/8	1/4	4 5/8	12 ga x 3/4	400	50
C-711-2	2	3/8	3 11/16	2 1/8	7/16	2 9/16	3 1/16	1/4	5	12 ga x 3/4	400	50
C-711-2-1/2	2 1/2	1/2	4 7/16	2 7/16	9/16	3 3/16	3 5/8	3/8	6	12 ga x 1 1/4	500	25
C-711-3	3	1/2	4 13/16	2 9/16	9/16	3 1/2	4 1/16	3/8	6 2 1/2	12 ga x 1 1/4	500	25
C-711-3-1/2	3 1/2	1/2	5 1/8	2 5/8	9/16	3 3/4	4 3/8	3/8	7 5/16	3/16 x 1 1/4	500	25
C-711-4	4	5/8	6 1/8	3 3/16	9/16	4 3/8	5 3/16	3/8	8 9/16	3/16 x 1 1/4	550	10
C-711-5	5	5/8	6 3/4	3 3/4	9/16	5 1/16	5 3/8	3/8	9 2 3/32	3/16 x 1 1/4	550	10
C-711-6	6*	3/4	7 3/4	3 9/16	9/16	5 1 3/16	6 5/8	3/8	11 1/4	3/16 x 1 3/4	600	10
C-711-8	8*	7/8	9 3/16	3 15/16	9/16	6 1 5/16	8	3/8	13 1 1/16	3/16 x 1 3/4	760	8



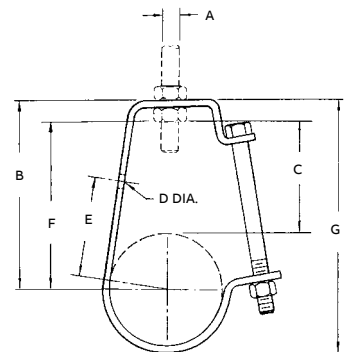
Standard



Felt lined



Plastic coated



*Hangers 6" and over have hole instead of slot.

Pipe straps, conduit clamps and hangers

C-727 — Adjustable swivel ring

Designed for the support of non-insulated static pipe lines. The swivel nut is knurled to provide a gripping surface when adjusting the pipe elevation.

Specifications

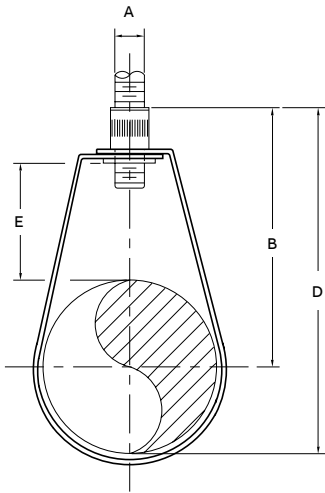
- Compliance: Federal Specification A-A-1192A Type 10, MSS SP-69 Type 10, UL Listed and FM Approved (¾" through 8"). We also offer Swivel Ring hangers that are for Copper Tubing (CT-727), PVC coated (C-727-P) and for NFPA requirements (C-727-NFPA) in this catalog

- Material: Carbon Steel
- Finish: Standard finish – Pre-Galv, Electro-Galvanized (add suffix “-EG”) Black (add suffix “-B”)
- Ordering: Specify pipe size, catalog number and finish

C-727 — Adjustable swivel ring

Cat. No.	Pipe size (in)	Max. load (lbs)	Dimensions (in)				Weight each (lbs)
			A	B	D	E	
C-727-1/2	½	300	⅜	2¾	3⅛	1⅞	.09
C-727-¾	¾	300	⅜	2½	3⅛	1⅞	.10
C-727-1	1	300	⅜	2½	3⅛	1	.10
C-727-1-¼	1¼	300	⅜	2⅜	3⅞	1⅞	.10
C-727-1-½	1½	300	⅜	3⅞	3⅞	1⅞	.11
C-727-2	2	300	⅜	3⅞	4⅞	1⅞	.12
C-727-2-½	2½	600	½	3⅞	5⅞	1¾	.32
C-727-3	3	600	½	4	5⅞	1⅞	.35
C-727-3-½	3½	600	½	4⅞	6⅞	1½	.39
C-727-4	4	1,000	⅝	4⅞	7⅞	1¾	.43
C-727-5	5	1,000	⅝	5⅞	8½	1⅞	.65
C-727-6	6	1,250	¾	6⅞	10⅞	2	1.09
C-727-8	8	1,800	⅞	8⅞	12⅞	2⅞	1.24

Standard finish: Pre-Galv only.
Add “F” suffix for felt lining.



Pipe straps, conduit clamps and hangers

C-727-P — PVC-coated adjustable swivel ring

Designed for the support of non-insulated static pipe lines and to protect the pipe from coming into direct contact with the hanger by having the contact surface PVC coated. The swivel nut is knurled to provide a gripping surface when adjusting the pipe elevation.

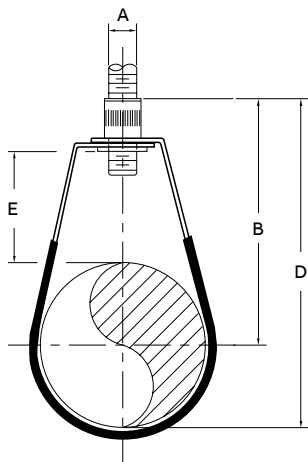
Specifications

- Compliance: Federal Specification A-A-1192A Type 10, MSS SP-69 Type 10, UL Listed and FM Approved (3/4" through 8")

- We also offer Swivel Ring hangers that are for Copper Tubing (CT-727) and for NFPA requirements (C-727-NFPA) in this catalog. Operating temperature should not exceed 140° F/60° C
- Material: Carbon Steel
- Finish: Standard finish – GoldGalv®, Black (add suffix “-B”), Electro-Galvanized (add suffix “-EG”)
- Ordering: Specify pipe size and catalog number

C-727-P — PVC-coated adjustable swivel ring

Cat. No.	Pipe size (in)	Max. load (lbs)	Dimensions (in)				Weight each (lbs)
			A	B	D	E	
C727P 1/2	1/2	300	3/8	2 3/4	3 1/16	1 7/16	.11
C-727-P-3/4	3/4	300	3/8	2 1/2	3 1/16	1 1/8	.13
C-727-P-1	1	300	3/8	2 1/2	3 3/16	1	.13
C-727-P-1-1/4	1 1/4	300	3/8	2 13/16	3 9/16	1 1/16	.15
C-727-P-1-1/2	1 1/2	300	3/8	3 1/8	3 7/8	1 1/16	.17
C-727-P-2	2	300	3/8	3 5/16	4 3/8	1 1/8	.18
C-727-P-2-1/2	2 1/2	600	1/2	3 11/16	5 1/8	1 1/4	.34
C-727-P-3	3	600	1/2	4	5 7/8	1 1/8	.39
C-727-P-3-1/2	3 1/2	600	1/2	4 5/16	6 5/8	1 1/2	.42
C-727-P-4	4	1,000	5/8	4 15/16	7 1/8	1 1/4	.48
C-727-P-5	5	1,000	5/8	5 5/8	8 1/2	1 3/8	.69
C-727-P-6	6	1,250	3/4	6 11/16	10 3/8	2	1.13
C-727-P-8	8	1,800	7/8	8 5/16	12 7/8	2 5/8	1.29



Standard finish: Pre-Galv only.
Add "F" suffix for felt lining.

Pipe straps, conduit clamps and hangers

C-727-NFPA — NFPA swivel ring

Designed for the support of non-insulated static pipe lines. The swivel nut is knurled to provide a gripping surface when adjusting the tubing elevation and is tapped to the reduced rod standards of NFPA.

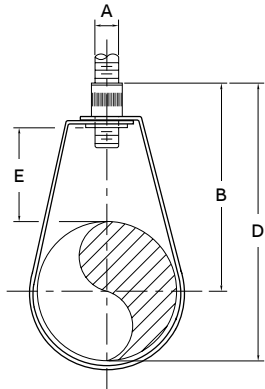
Specifications

- Compliance: Federal Specification A-A-1192A Type 10, MSS SP-69 Type 10, UL Listed and FM Approved (¾" through 8") and NFPA standards
- We also offer Swivel Ring hangers that are for standard commercial pipe (C-727), copper tubing (CT-727) and PVC coated (C-727-P) in this catalog
- Material: Carbon Steel
- Finish: Standard finish – GoldGalv®, Black (add suffix “-B”), Electro-Galvanized (add suffix “-EG”)
- Ordering: Specify pipe size, catalog number and finish

C-727-NFPA — NFPA swivel ring

Cat. No.	Pipe size (in)	Max. load (lbs)	Dimensions (in)				Weight each (lbs)
			A	B	D	E	
C-727-NFPA-1/2	½	300	⅜	2¾	3⅛	1⅞	.09
C-727-NFPA-3/4	¾	300	⅜	2½	3⅛	1⅞	.10
C-727-NFPA-1	1	300	⅜	2½	3⅜	1	.10
C-727-NFPA-1-1/4	1¼	300	⅜	2⅓	3⅞	1⅞	.10
C-727-NFPA-1-1/2	1½	300	⅜	3⅞	3⅞	1⅞	.11
C-727-NFPA-2	2	300	⅜	3⅞	4⅞	1⅞	.12
C-727-NFPA-2-1/2	2½	525	⅜	3⅓	5	1¼	.25
C-727-NFPA-3	3	525	⅜	3¾	5⅞	1⅞	.30
C-727-NFPA-3-1/2	3½	525	⅜	4⅞	6⅞	1½	.33
C-727-NFPA-4	4	650	⅜	4½	7	1⅞	.41
C-727-NFPA-5	5	1,000	½	5⅞	8⅞	2¼	.58
C-727-NFPA-6	6	1,000	½	6½	9⅓	2⅞	.92
C-727-NFPA-8	8	1,000	½	7⅓	12¼	2⅞	1.16

Standard finish – GoldGalv®, unless otherwise stated.



Pipe straps, conduit clamps and hangers

CT-727 — Copper tubing swivel ring

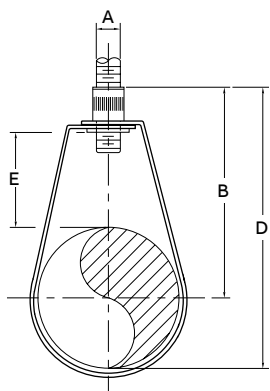
Designed for the support of non-insulated static copper tubing lines. The swivel nut is knurled to provide a gripping surface when adjusting the tubing elevation.

- Material: Carbon Steel
- Finish: Copper
- Ordering: Specify copper tubing size

Specifications

- Compliance: Federal Specification A-A-1192A Type 10, MSS SP-69 Type 10. We also offer Swivel Ring hangers that are for carbon steel pipe (C-727), PVC coated (C-727-P) and for NFPA requirements (C-727-NFPA) in this catalog

CT-727 — Copper tubing swivel ring



Cat. No.	Pipe size (in)	Max. load (lbs)	Dimensions (in)				Weight each (lbs)
			A	B	D	E	
CT727 1/2	1/2	300	3/8	2 3/8	3 1/4	1 11/16	.11
CT-727-3/4	3/4	300	3/8	2 3/8	3 1/8	1 3/8	.11
CT-727-1	1	300	3/8	2 1/2	3 3/8	1	.11
CT-727-1-1/4	1 1/4	300	3/8	2 3/4	3 1/4	1 5/16	.13
CT-727-1-1/2	1 1/2	300	3/8	2 15/16	3 3/8	1 3/8	.13
CT-727-2	2	300	3/8	3 5/16	4 1/8	1 1/16	.15
CT-727-2-1/2	2 1/2	525	3/8	4	4 5/8	1 1/8	.16
CT-727-3	3	525	1/2	4 9/16	5 9/16	1 5/16	.32
CT-727-3-1/2	3 1/2	525	1/2	4 9/16	5 7/8	1 1/8	.35
CT-727-4	4	650	1/2	5 9/16	6 1/2	1 3/16	.38
CT-727-5	5	1,000	1/2	6 1/4	8 3/8	1 5/8	.58
CT-727-6	6	1,000	1/2	7 3/16	9 13/16	2 1/4	.92

Standard finish – GoldGalv®, unless otherwise stated.

Pipe straps, conduit clamps and hangers

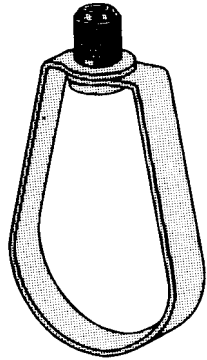
ET-727 — Copper sized adjustable ring

Standard finish – GoldGalv® barrier for separation of dissimilar metals.

Available in sizes ½" through 2". Sized for Copper Tubing.

ET-727 — Copper sized adjustable ring

Cat. No.	Pipe size (in)	Rod size (in)	Dimensions (in)			Stock size	Max rec load (lbs)	STD CTN
			A	B	C			
ET727 1/2	½	⅜	3⅞	2¾	1½	16 ga x ⅝	400	100
ET-727-3/4	¾	⅜	3⅞	2⅝	1¼	16 ga x ⅝	400	100
ET-727-1	1	⅜	3⅞	2½	1	16 ga x ⅝	400	100
ET-727-1-1/4	1¼	⅜	3¼	2½	1	16 ga x ⅝	400	100
ET-727-1-1/2	1½	⅜	3⅞	3	1¼	16 ga x ⅝	400	100
ET-727-2	2	⅜	4½	3⅞	1½	16 ga x ⅝	400	100
ET-727-2-1/2	2½	⅜*	5½	4⅞	2	14 ga x 1⅜	600	100
ET-727-3	3	½	6⅞	4¾	2	14 ga x 1⅜	600	100
ET-727-3-1/2	3½	½	6⅞	4½	1½	14 ga x 1⅜	600	50
ET-727-4	4	½*	7⅞	5¼	2	14 ga x 1¼	1,250	100
ET-727-5	5	⅝	8⅞	5¼	2	12 ga x 1¼	1,250	25
ET-727-6	6	⅝	9½	6⅞	1⅞	12 ga x 1¼	1,250	25



2½" CT filled with water weighs less than 2" IP filled with water, 4" CT less than 3½" IP with water.
 2½" CT available with ½" thread and 4" CT available with ⅝" thread for Government Specs.
 Standard finish – GoldGalv®, unless otherwise stated.

Pipe straps, conduit clamps and hangers

M-718, M-718-B — Extension ring hanger

M-718 — (Rod Tapped – Electro-Galvanized)

M-718-B — (Rod Tapped – Plain Finish)

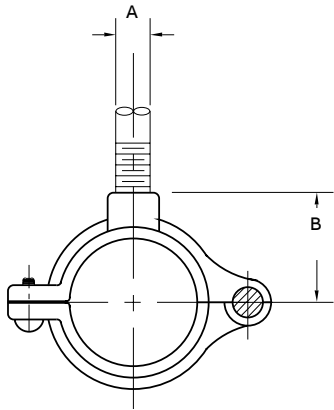
This split ring hanger is designed for the support of non-insulated stationary pipe lines. Also available in a two-screw design. The MT-742-R Ceiling Plate is normally used with this product.

Specifications

- Material: Malleable Iron.
- Finish: Standard finish – EG (silver), Black (add suffix “-B”), Electro-Galvanized (add suffix “-EG”)
- Compliance: Federal Specification A-A-1192A Type 12, MSS-SP-69 Type 12
- Ordering: Specify pipe size and catalog number.

M-718, M-718-B — Extension ring hanger

Cat. No.	Pipe size (in)	Max. load (lbs)	Pipe size A (in)	Rod size A (in)	B (in)	Weight each (lbs)
M-718-3/8	3/8	180	1/4	3/8	13/16	.16
M-718-1/2	1/2	180	1/4	3/8	7/8	.17
M-718-3/4	3/4	180	1/4	3/8	1	.20
M-718-1	1	180	1/4	3/8	11/8	.21
M-718-1-1/4	1 1/4	180	1/4	3/8	1 1/16	.29
M-718-1-1/2	1 1/2	180	1/4	3/8	1 5/16	.31
M-718-2	2	180	1/4	3/8	1 1/2	.35
M-718-2-1/2	2 1/2	480	1/2	1/2	2 1/8	.57
M-718-3	3	480	1/2	1/2	2 7/16	.72
M-718-4	4	480	1/2	1/2	3 1/8	1.16



Standard finish – GoldGalv®, unless otherwise stated.

Pipe straps, conduit clamps and hangers

MT-718 — Copper extension ring hanger

This split ring hanger is designed for the support of non-insulated copper tubing lines.

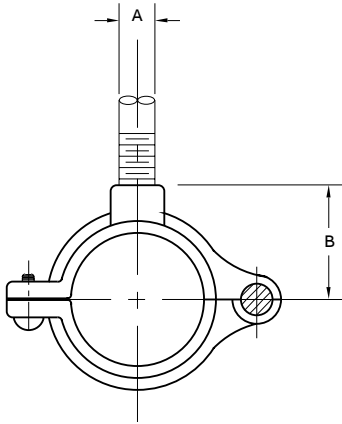
The MT-718 is furnished tapped for bolt thread and is used with the MT-742-R Ceiling Plate. Also available in a two-bolt design.

Specifications

- Material: Malleable Iron
- Finish: Copper (for Electro-Galvanizing please see M-718.)
- Compliance: Federal Specification A-A-1192A Type 12, MSS-SP-69 Type 12
- Ordering: Specify tube size and catalog number.

MT-718 — Copper extension ring hanger

Cat. No.	Tube size (in)	Max. load (lbs)	Rod size A (in)	B (in)	Weight each (lbs)
MT718-1/4	1/4	180	3/8	1/2	.10
MT-718-3/8	3/8	180	3/8	1/2	.12
MT-718-1/2	1/2	180	3/8	3/4	.13
MT-718-5/8	5/8	180	3/8	3/4	.14
MT-718-3/4	3/4	180	3/8	7/8	.15
MT-718-1	1	180	3/8	1	.16
MT-718-1-1/4	1 1/4	180	3/8	1 1/4	.19
MT-718-1-1/2	1 1/2	180	3/8	1 1/4	.22
MT-718-2	2	180	3/8	1 1/2	.27
MT-718-2-1/2	2 1/2	480	1/2	2	.72
MT-718-3	3	480	1/2	2 1/4	1.07



Standard finish – GoldGalv®, unless otherwise stated.

Pipe straps, conduit clamps and hangers

Seismic bracing & S-720 — Adjustable pipe hanger

01 **C749N**
Seismic brace
1,500 lb. load safety factor of 3

02 **C749N 5/8**
Seismic brace
1,650 lb. load safety factor of 3

03 **C749N 7/8**
Seismic brace
1,650 lb. load safety factor of 3

04 **C-749-N-1-1/8**
Seismic brace
1,650 lb. load safety factor of 3

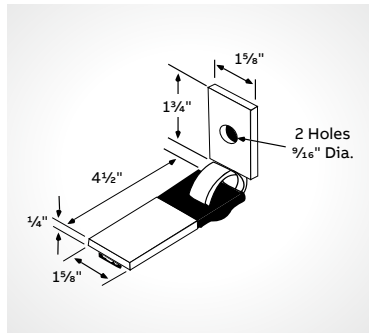
03 **ES-142**
Size: 1/2" x 1 1/4"
Bolt Size: 1/2"
Seismic bracing rod stiffener connector

Seismic bracing

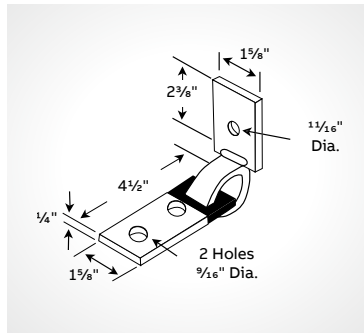
(Consult Superstrut® Seismic Hanger bulletin for additional information.) All braces have plastisol coating on the flat member. Plastisol insulates against vibration noise transmission and eliminates rattle at the connection points.

Standard finish

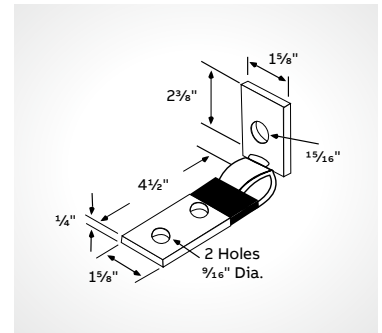
GoldGalv® brand. Approved for seismic applications.



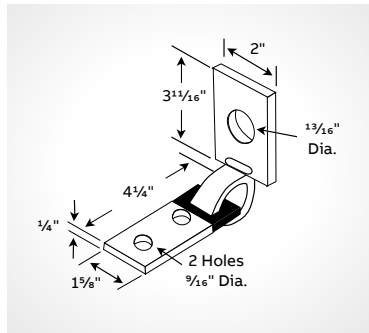
01



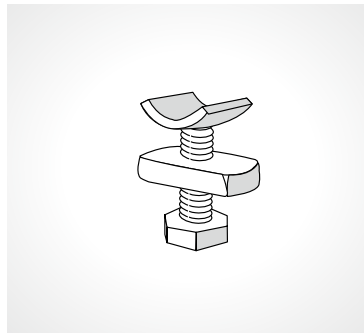
02



03

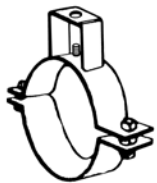


04



05

S-720 — Adjustable pipe hanger



Cat. No.	Pipe size (in)	Rod size (in)	Adjustment (in)	Bolt centers (in)	Stock size (in)	Bolt size (in)	Design load (lbs)	STD CTN
S720 3/4	3/4	3/8	1 5/8	4 1/2	3/16 x 1 1/4	1/2-1 1/4	550	10
S-720-1	1	3/8	1 1/2	4 1/2	3/16 x 1 1/4	1/2-1 1/4	550	10
S-720-1-1/4	1 1/4	3/8	1 3/8	5	3/16 x 1 1/4	1/2-1 1/4	550	10
S-720-1-1/2	1 1/2	3/8	1 1/2	4 1/2	3/16 x 1 1/4	1/2-1 1/4	550	10
S-720-2	2	3/8	1 1/2	5	1/4 x 1 1/4	1/2-1 1/4	700	10
S-720-2-1/2	2 1/2	1/2	2 1/8	5 3/8	1/4 x 1 1/4	1/2-1 1/4	700	10
S-720-3	3	1/2	2 1/4	6 1/4	1/4 x 1 1/4	1/2-1 1/4	1,100	10
S-720-3-1/2	3 1/2	1/2	2 1/4	6 3/4	1/4 x 1 1/4	1/2-1 1/4	1,100	10
S-720-4	4	1/2	2 1/4	7 1/4	1/4 x 1 1/4	1/2-1 1/4	1,300	10
S-720-5	5	5/8	2 1/4	8 1/2	1/4 x 1 1/2	5/8-1 1/2	1,600	10
S-720-6	6	5/8	2 1/4	9 1/2	1/4 x 1 1/2	5/8-1 1/2	1,600	5
S-720-8	8	3/4	2 1/8	11 1/2	1/4 x 2	3/4-2	2,000	5

Standard finish – GoldGalv®, unless otherwise stated.

Pipe straps, conduit clamps and hangers

PG-794 — Pipe alignment guide

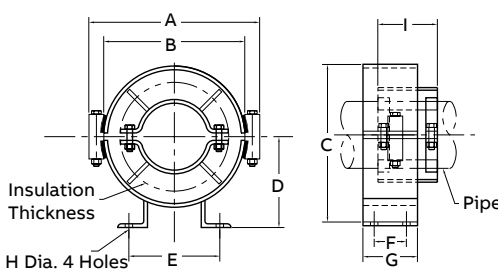
—
Note: Guides are not designed to carry dead weight loads. Maximum temperature is 750° F.

Designed to maintain the axial alignment of piping as it expands and contracts during operation. It is most typically installed adjacent to expansion joints and at reasonable distances between the expansion joint and the anchor point. Our Figures 1007 and 1010 also offer alternative means for your piping alignment needs.

Specifications

- Material: Carbon Steel
- Finish: EG (Silver), Black (add suffix "-B"), Electro-Galvanized (add suffix "-EG")
- Ordering: Specify pipe size, insulation thickness, catalog number and finish.
- **Example Catalog Number:** PG794 T3-2-1/2 would be 2½" pipe with 2" thick insulation.

PG-794 — Pipe alignment guide



Size	Dimensions (in)								Weight each (lbs)
	A	B	C	D	E	F	G	H	
1	6¾	4½	5⅝	3⅜	5	1½	3	⅝	5.8
2	7¼	5⅝	6⅝	3½	6¾	1½	3	⅝	7.2
3	8⅝	6⅞	7⅝	4	6¾	1½	3	⅝	8.2
4	10⅝	8⅞	9⅝	5	7⅞	1½	3	⅝	10.6
5	12⅝	10¾	11⅝	6¼	7⅞	2	4	⅝	15.6
6	14⅝	12¾	13⅝	7¼	8	2	4	⅝	19.5
7	16⅝	14¾	15⅝	8½	9¾	2	4	¾	26.8
8	18⅝	16¾	17⅝	9½	10¾	4	6	¾	35.6
9	22⅝	19	20	10½	11¼	4	6	¾	44.2
10	23⅝	21	22	11½	14⅝	4	6	⅞	52.6
11	25⅝	23	24	12½	14¾	4	6	⅞	66.3
12	28⅝	25¾	26⅝	13¾	15⅞	4	6	1	79.7
13	32⅝	29½	30½	15¾	16⅞	5½	8	1	106.3
14	36⅝	33½	34½	17¾	17⅞	5½	8	1	116.8

Insulation thickness

Size number	Thickness of insulation (in)					
	1	1½	2	2½	3	4
1	1					
2	1¼-2	1				
3	2½	1¼-2	1			
4	3-4	2½-3½	1¼-2½	1-2	1	
5	5-6	4-5	3-4	2½-3½	1¼-2½	1
6		6	5-6	4-5	3-4	1¼-2½
7		8	8	6	5-6	3-4
8		10	10	8	8	5-6
9		12	12	10	10	8
10			14	12-14	12	10
11			16	16	14	12
12					16-18	14-16
13					20	18-20
14					24	24

Standard finish – EG (silver).

Insulation thickness

Product Designation	Insulation thickness (in)	For pipe sizes
T1	1	½-24
T2	1½	½-24
T3	2	½-24
T4	2½	½-24
T5	3	½-24
T6	3½	½-24
T7	4	½-24

Pipe size (in)	Dim. I	Max. MVT
1-6	4	4
8-16	6	6
18-24	8	8

Pipe straps, conduit clamps and hangers

Structure attachments

M-742-R Ceiling Flange

M-742-R, M-742-RB, MT-742-R – Single Plate
 M-742-R — (Rod Tapped – Electro-Galvanized)
 M-742-RB — (Rod Tapped – Plain Finish)
 MT-742-R — (Rod Tapped – Copper Finish)

Designed for attaching a rod to a wooden member. This part is normally used in conjunction with our M-718 Split Ring.

Specifications

- Material: Malleable Iron. M-742-R is Carbon Steel.
- Ordering: Specify rod size and catalog number.

M-742-R Ceiling flange

Cat. No.	Rod tap (in)	Max. load (lbs)	Dimensions (in)			Weight each (lbs)
			A	B	C	
M-742-R-3/8	3/8	180	2	1/4	1/2	.19
M-742-R-1/2	1/2	180	2	1/4	1/2	.18

Standard finish – Black (B), EG (Silver) or Copper-Colored Epoxy Paint.
 Rod Sizes: 3/8" & 1/2"

C-736-Side clip — Steel bracket clip

Clip can be used to support piping 3 1/2" or smaller from the horizontal member of a C-736 Steel Bracket. The clip is composed of two steel plates and one bolt and nut.

Specifications

- Material: Carbon Steel
- Finish: Standard finish – GoldGalv®, Black (add suffix “-B”), Electro-Galvanized (add suffix “-EG”)
- Ordering: Specify size number, catalog number and finish.

C-736-Side clip — Steel bracket clip

Cat. No.	Rod tap (in)	Size (in)	Max. load (lbs)	Weight each (lbs)
C-736-Side Clip-1	1	3/8	750	6.99
C-736-Side Clip-2	2	1/2	750	10.10

Standard finish – GoldGalv®, unless otherwise stated.

Pipe straps, conduit clamps and hangers

C-736 — Light welded steel bracket

Designed to support up to 6" pipe. This bracket is for installation to walls as shown or inverted, and may require a backing plate. Holes for up to 3/4" rods are located at each end of the bracket to allow for use in either orientation. The C-736 Side Clip Steel Bracket Clip can be attached to the C-736 to support piping 3 1/2" or smaller. Please see Figure 79 for more information.

Specifications

- Compliance: A-A-1192A Type 31, MSS-SP 69 Type 31
- Finish: Standard finish – GoldGalv®, Black (add suffix "-B"), Electro-Galvanized (add suffix "-EG")
- Ordering: Specify size number, catalog number and finish.

C-736 — Light welded steel bracket

Cat. No.	Rod tap	Max. load (lbs)	Dimensions (in)			Weight each (lbs)
			A	B	C	
C-736-1	1	750	9	8	6 1/2	6.99
C-736-2	2	750	13	12	10 1/2	10.10
C-736-3	3	750	19	18	16 1/2	10.50

Standard finish – GoldGalv®, unless otherwise stated.

Pipe straps, conduit clamps and hangers

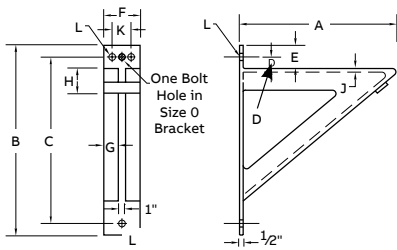
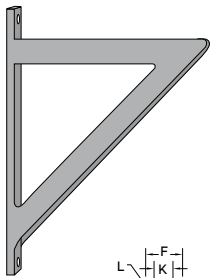
C-739-H — Heavy welded steel bracket & PG-795 — Pipe block

Designed to support pipe from either above or below. Slotted construction allows for drop rod use along the length of the bracket. This bracket is for bolted installation to walls and may require a backing plate. Special steel brackets can be fabricated to customers loads and/or dimensions.

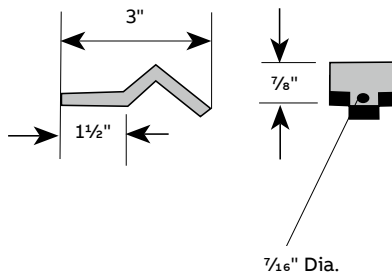
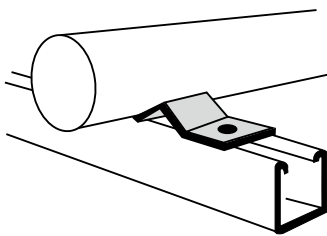
Specifications

- Compliance: A-A-1192A Type 33, MSS-SP 69 Type 33
- Finish: Standard finish – GoldGalv®, Black (add suffix “-B”), Electro-Galvanized (add suffix “-EG”)
- Ordering: Specify size number, catalog number and finish.

C-739-H — Heavy welded steel bracket



Cat. No.	Size	Max. load (lbs)	Dimensions (in)											Weight each (lbs)
			A	B	C	D	E	F	G	H	J	K	L	
C-739-H-0	0	3,000	12	18	15¼	1½	2¾	4½	1½	2	¼	NA	1³⁄₁₆	25.1
C-739-H-1	1	3,000	18	24	21¾	1½	2¾	5	1½	2	¾	2¾	1³⁄₁₆	44.8
C-739-H-2	2	3,000	24	30	27½	1½	2¾	5	1½	2½	¾	2½	1¹⁄₁₆	60.7
C-739-H-3	3	3,000	30	36	33¼	1⅝	3	6	2	2½	¾	2½	1¹⁄₁₆	98.1
C-739-H-4	4	3,000	36	42	39	1½	3	6	2	3½	¾	3½	1¹⁄₁₆	129.4
C-739-H-5	5	3,000	42	50	46	1½	3½	7	2½	3½	¾	3½	1¹⁄₁₆	177.2



PG-795 — Pipe block

Standard finish — Black (B).

Pipe straps, conduit clamps and hangers

Pipe attachments

H-115, H-115SS — Standard U-bolt

Our standard U-Bolts are recommended for use as supports or guides for piping. They are supplied with four hex nuts. The H-115SS is recommended for support of stainless steel piping. Please specify the grade of stainless steel you require when ordering. Load Ratings shown are for Carbon Steel. PVC coating should not exceed 140° F/60° C.

Specifications

- Materials: Carbon Steel, Stainless Steel
- Compliance: Federal Specification A-A-1192A Type 24, MSS-SP 69 Type 24, and BSPSS-BS3974
- Finish: Standard finish – GoldGalv®, Black (add suffix “-B”), Electro-Galvanized (add suffix “-EG”), SS (add suffix SS), SS6 = 316

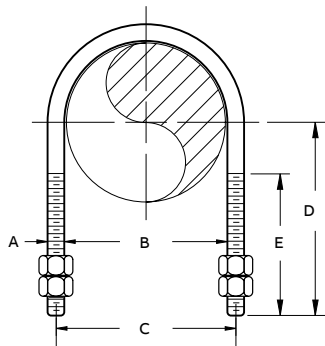
- Side loads are given for the H-115 for a maximum temperature of 650° F/343° C.
- When the loading condition requires the simultaneous application of a normal load and side load, the following interaction equation must be used to determine if the H-115 can be used.
- $(\text{Actual Load} / \text{Maximum Design Load}) + (\text{Actual Side Load} / \text{Maximum Side Load})$. The result of this equation cannot exceed the value of 1.0 if the H-115 is to be used.
- Ordering: Specify pipe size, catalog number and finish.

H-115, H-115SS — Standard U-bolt

Cat. No.	Pipe size (in)	Max. load (lbs)		Max. side Load (lbs) 650° F/ 343° C	Dimensions (in)					Weight each (lbs)	
		650° F/ 343° C	750° F/ 399° C		A	B	C	D	E		
H-115-1/2	H-115-1/2	1/2	485	435	63	1/4	1 3/8	1 1/8	2 3/4	2 1/8	.11
	H-115-3/4	3/4	485	435	63	1/4	1 1/8	1 3/8	2 3/4	2 1/8	.12
	H-115-1	1	485	435	63	1/4	1 3/8	1 5/8	2 3/4	2 1/8	.12
H-115-1/2	H-115-1/2	1/2	1,200	1,070	316	3/8	1 3/8	1 1/4	2 3/4	2 1/8	.16
	H-115-3/4	3/4	1,200	1,070	240	3/8	1 1/8	1 1/2	2 3/4	2 1/8	.16
	H-115-1	1	1,200	1,070	186	3/8	1 3/8	1 3/4	2 3/4	2 1/8	.19
H-115-1-1/4	H-115-1-1/4	1 1/4	1,220	1,090	194	3/8	1 3/4	2 1/8	2 7/8	2 1/8	.28
	H-115-1-1/2	1 1/2	1,220	1,090	194	3/8	2	2 3/8	3	2 1/2	.30
H-115-2	H-115-2	2	1,220	1,090	194	3/8	2 1/2	2 7/8	3 1/4	2 1/2	.33
	H-115-2-1/2	2 1/2	2,260	2,020	184	1/2	3	3 1/2	3 3/4	3	.70
H-115-3	H-115-3	3	2,260	2,020	184	1/2	3 5/8	4 1/8	4	3	.78
	H-115-3-1/2	3 1/2	2,260	2,020	184	1/2	4 1/8	4 5/8	4 1/2	3	.84
H-115-4	H-115-4	4	2,260	2,020	184	1/2	4 5/8	5 1/8	4 1/2	3	.90



H-115



Pipe straps, conduit clamps and hangers

Beam attachments

M-750 — Side beam bracket

Designed for bolt connections.

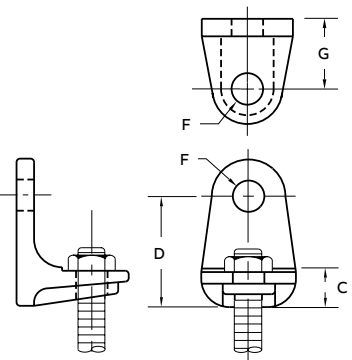
Specifications

- Compliance: A-A-1192A Type 34 and MSS-SP 69 Type 34
- Material: Malleable Iron (Maximum Temperature 450° F/232° C)

- Standard finish – GoldGalv®, Black (add suffix “-B”), Electro-Galvanized (add suffix “-EG”)
- Ordering: Specify rod size and catalog number.

M-750 — Side beam bracket

Cat. No.	Max. load (lbs)			Dimensions (in)				Weight each (lbs)
	Rod size (in)	With lag screw	With bolt to steel	C	D	F	G	
M-750-3/8	3/8	390	610	5/8	17/16	7/16	7/8	.26
M-750-1/2	1/2	640	1,130	3/4	17/8	9/16	13/16	.54
M-750-5/8	5/8	760	1,810	7/8	2 1/8	3/4	1 7/16	.94



M-762 — Side beam connector

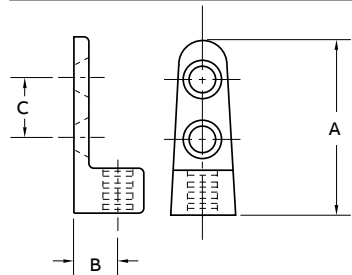
Designed for use on buildings of wood construction. They can be secured to the side of beams or joists by means of our Figure 166 Drive Screws (ordered separately).

Specifications

- Material: Malleable Iron
- Standard finish – GoldGalv®, Black (add suffix “-B”), Electro-Galvanized (add suffix “-EG”)
- Ordering: Specify size, catalog number and finish.

M-762 — Side beam connector

Cat. No.	Size (in)	Max. load (lbs)	Dimensions (in)			Weight each (lbs)
			A	B	C	
M-762-3/8	3/8 rod	250	2 3/8	3/4	3/4	.13
M-762-1/2	1/2 rod	480	2 3/4	3/4	3/4	.25
M-762-1/4	1/4 pipe	250	2 3/4	3/4	3/4	.25



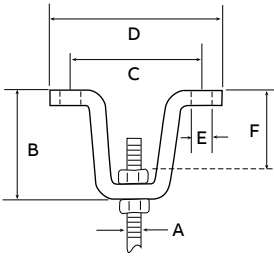
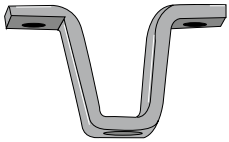
Pipe straps, conduit clamps and hangers

C-747 — Adjustable beam attachment

For attachment to timber with coach screws
or to the bottom of beams with bolts.

C-747 — Adjustable beam attachment

Cat. No.	Rod size A (in)	Hole size (in)	Dimensions (in)						Stock size (in)	Design load (lbs)	STD CTN
			B	C	D	E	F				
C-747-3/8B	$\frac{3}{8}B$	$\frac{7}{16}$	$2\frac{3}{4}$	$3\frac{7}{8}$	$4\frac{7}{8}$	$\frac{7}{16}$	$2\frac{1}{8}$	$\frac{1}{4} \times 1\frac{1}{4}$	610	50	
C-747-1/2B	$\frac{1}{2}B$	$\frac{9}{16}$	$3\frac{1}{8}$	$4\frac{3}{4}$	6	$\frac{9}{16}$	$2\frac{5}{16}$	$\frac{3}{8} \times 1\frac{1}{2}$	1,130	50	
C-747-5/8B	$\frac{5}{8}B$	$1\frac{1}{16}$	$3\frac{1}{8}$	$4\frac{3}{4}$	6	$\frac{9}{16}$	$2\frac{3}{16}$	$\frac{3}{8} \times 1\frac{1}{2}$	1,810	50	
C-747-3/4B	$\frac{3}{4}B$	$1\frac{3}{16}$	$3\frac{1}{4}$	$6\frac{1}{4}$	$7\frac{3}{4}$	$1\frac{1}{16}$	$2\frac{9}{16}$	$\frac{1}{2} \times 2$	2,710	50	
C-747-7/8B	$\frac{7}{8}B$	$1\frac{5}{16}$	$3\frac{3}{4}$	$6\frac{3}{8}$	$8\frac{1}{4}$	$1\frac{3}{16}$	$2\frac{1}{2}$	$\frac{1}{2} \times 2$	3,770	50	



Standard finish — Black (B).
Order by Cat. No., rod size.

Pipe straps, conduit clamps and hangers

Rods and rod attachments

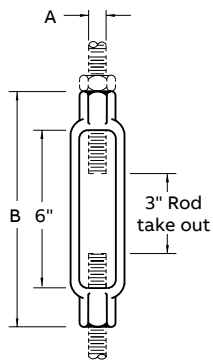
F-112 — Turnbuckle

Used to connect right- and left-hand threaded rods together and provide for adjustment.

Specifications

- Material: Forged Steel
- Compliance: Federal Specification A-A-1192A Type 13, MSS-SP 69 Type 13 and BSPSS-BS3974
- Finish: Standard finish – GoldGalv®, Black (add suffix “-B”), Electro-Galvanized (add suffix “-EG”)
- Specify catalog number, finish and rod size.

F-112 — Turnbuckle



Cat. No.	Rod size (in)	Max. load (lbs) 650° F/343° C	B (in)	Weight each (lbs)
F-112-3/8	3/8	610	7 1/8	.30
F-112-1/2	1/2	1,130	7 1/2	.60
F-112-5/8	5/8	1,810	7 7/8	1.00
F-112-3/4	3/4	2,710	8 1/4	1.20
F-112-7/8	7/8	3,370	8 5/8	1.90
F-112-1	1	4,960	9	2.50
F-112-1-1/4	1 1/4	8,000	9 1/8	3.80
F-112-1-1/2	1 1/2	11,630	9 3/4	5.70
F-112-1-3/4	1 3/4	15,700	10 3/8	8.20
F-112-2	2	20,700	11	14.20
F-112-2-1/4	2 1/4	27,200	12 7/8	27.00
F-112-2-1/2	2 1/2	33,500	13 1/2	33.00

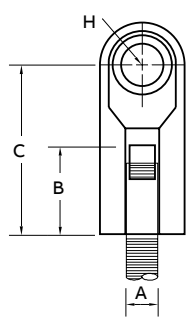
M-129 — Extension piece

Designed for attaching rods to the M-732-EXT Clamp and similar types of attachments.

Specifications

- Material: Malleable Iron
- Compliance: Federal Specification A-A-1192A Type 30, MSS-SP-69 Type 30 when used with a Figure 82
- Finish: Standard finish – GoldGalv®, Black (add suffix “-B”), Electro-Galvanized (add suffix “-EG”)
- Specify rod size, catalog number and finish

M-129 — Extension piece



Cat. No.	Rod size (in)	Max. load (lbs)	Dimensions (in)				Weight each (lbs)
			B	C	G	H	
M-129-3/8	3/8	610	1 1/4	2 1/8	1/2	1/2	.20
M-129-1/2	1/2	1,130	1 3/8	2 3/8	5/8	1/2	.40
M-129-5/8	5/8	1,810	1 1/2	2 1/2	5/8	1/2	.44
M-129-3/4	3/4	2,710	1 3/4	2 7/8	5/8	1/2	.65
M-129-7/8	7/8	2,950	1 7/8	3	3/4	9/16	.78

Standard finish – GoldGalv®, unless otherwise stated.

Pipe straps, conduit clamps and hangers

Structure attachments

C-780 W/OB, C-780 W/HWB — Welded beam attachment

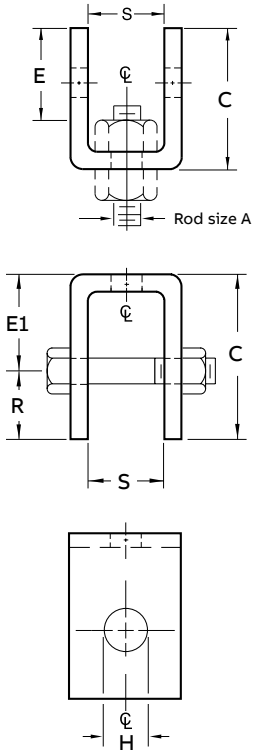
Recommended for attachment to the bottom of beams when little or no pipe movement is expected. C-780 W/HWB is recommended for attachment to the bottom of beams, when pipe movement is expected. A bolt and nut or pin is supplied. A pin with cotters is normally supplied for rod sizes over 1".

Specifications

- Compliance: Federal Specification A-A-1192A Type 22, MSS SP-69 Type 22 and BSPSS-BS3974
- Material: Carbon Steel
- Finish: Standard finish – GoldGalv®, Black (add suffix “-B”), Electro-Galvanized (add suffix “-EG”)
- Ordering: Specify catalog number, rod size and finish.

C-780 W/OB, C-780 W/HWB — Welded beam attachment

Cat. No.	Rod size (in)	Max. Load (lbs) 650° F/ 343° C	Bolt or pin size (in)	C (in)	Rod takeout C-780 W/OB E (in)	Rod takeout C-780 W/HWB E1 (in)	H (in)	R (in)	S (in)	Weight each (lbs)	
										C-780 W/OB B&N	C-780 W/HWB W B&N
C-780											
C-780-3/8	3/8	610	1/2	2 7/8	1 7/8	2	9/16	7/8	1 1/4	.96	1.20
C-780-1/2	1/2	1,130	5/8	2 7/8	1 3/4	2	1 1/16	7/8	1 1/4	.96	1.20
C-780-5/8	5/8	1,810	3/4	2 7/8	1 3/4	2	1 3/16	7/8	1 1/4	.96	1.60
C-780-3/4	3/4	2,710	7/8	3 1/8	1 1/8	2	1 5/16	1 1/8	2 1/8	1.90	2.80
C-780-7/8	7/8	3,770	1	4 1/4	2 5/8	3	1 1/8	1 1/4	2 1/8	2.50	3.90
C-780-1	1	4,960	1 1/8	4 1/2	3	3 1/2	1 1/4	1 1/2	2 7/8	4.30	6.30
C-780-1-1/4	1 1/4	8,000	1 3/8	5	2	3	1 1/2	2	3	8.10	10.20
C-780-1-1/2	1 1/2	11,600	1 5/8	5 1/2	2 1/2	4	1 3/4	2 1/2	3	15.60	19.00
C-780-1-3/4	1 3/4	15,700	1 7/8	7 3/4	2 3/4	5	2	2 3/4	3 3/4	18.70	24.20
C-780-2	2	20,700	2 1/4	8 1/4	N/A	5	2 3/8	3 1/4	3 3/4	—	30.60
C-780-2-1/4	2 1/4	27,200	2 1/2	9 3/4	N/A	6 1/4	2 5/8	3 1/2	3 3/4	—	36.80
C-780-2-1/2	2 1/2	33,500	2 1/2	9 3/4	N/A	6 1/4	2 7/8	3 3/4	3 3/4	—	39.70
C-780-2-3/4	2 3/4	41,580	3	9 3/4	N/A	5 3/4	3 1/8	4	3 3/4	—	39.70
C-780-3	3	50,580	3 1/4	10 1/4	N/A	6 1/4	3 3/8	4	3 3/4	—	49.00
C-780-3-1/4	3 1/4	71,280	3 1/2	11 1/2	N/A	7	3 5/8	4 1/2	4 1/4	—	67.60
C-780-3-1/2	3 1/2	71,280	3 3/4	12	N/A	7 1/2	3 7/8	4 1/2	4 1/4	—	79.30



Pipe straps, conduit clamps and hangers

C-755 — Beam clamp

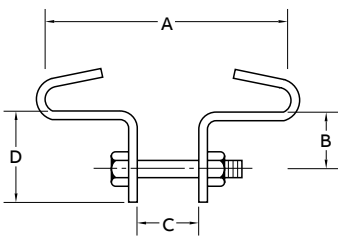
Designed to attach to the bottom of flanged beams. Normally used with the E-157 Eye Rod or E-120-A Eye Nut.

Specifications

- Material: Carbon Steel
- Compliance: Federal Specification A-A-1192A Type 21, MSS-SP-69 Type 21

- Finish: Standard finish – GoldGalv®, Black (add suffix “-B”), Electro-Galvanized (add suffix “-EG”), Thermoplastic (add suffix “-TP”)
- Ordering: Specify clamp size, flange width, flange thickness, catalog number and finish.

C-755 — Beam clamp



Cat. No.	Clamp size	Max. load (lbs)	Dimensions (in)			Bolt size (in)
			B	C	D	
C-755-1	1	500	7/8	1/2	1 1/2	3/8
C-755-2	2	700	1 1/8	5/8	1 3/4	1/2
C-755-3	3	800	1 1/4	5/8	2	1/2
C-755-4	4	1,000	1 3/8	3/4	2 3/8	5/8
C-755-5	5	3,000	1 5/8	7/8	2 5/8	3/4
C-755-6	6	3,000	2	1	3	7/8
C-755-7	7	5,000	2 1/8	1 1/8	4 1/8	1

Cat. No.	Clamp size	Weight each (lbs) Beam width — Dimension “A”							
		2	3	4	5	6	7	8	10
C-755-1	1	.52	.62	.78	.88	.95	—	—	—
C-755-2	2	.74	.82	1.09	1.21	1.31	1.39	—	—
C-755-3	3	1.26	1.49	1.89	2.12	2.29	2.45	2.69	—
C-755-4	4	—	2.32	2.85	3.18	3.39	3.60	3.92	—
C-755-5	5	—	3.40	4.08	4.52	4.80	5.10	5.51	6.23
C-755-6	6	—	—	6.00	6.45	7.00	7.40	7.90	8.80
C-755-7	7	—	—	—	11.95	12.75	13.55	14.35	15.95

Pipe straps, conduit clamps and hangers

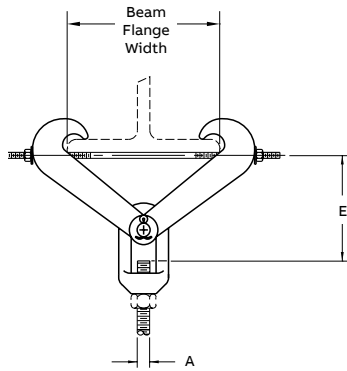
M-732-H — Steel beam clamp with weldless eyenut

The M-732-H beam clamp with eyenut is used for support where some movement is expected and welding to the structure is prohibited. The clamping effect is produced by the “ice-tong” action of the arms and is locked in place by the through bolt located just under the beam flange.

Specifications

- Material: Carbon Steel with Forged Steel Eyenut
- Compliance: Federal Specification A-A-1192A Type 28, MSS-SP-69 Type 28 and BSPSS-BS3974
- Finish: Standard finish – GoldGalv®, Black (add suffix “-B”), Electro-Galvanized (add suffix “-EG”)
- Ordering: Specify catalog number, rod size, clamp number and finish.

M-732-H — Steel beam clamp with weldless eyenut



Cat. No.	Clamp size	Max. load (lbs)	Max. rod size A (in)	Beam width	Body size (in)	Max. flange thickness (in)	Weight each (lbs)
M-732-H-1	1	2,710	3/4	3-8	25/32	.6	5.5
M-732-H-2	2	4,960	1	3-8	25/32	.6	5.5
M-732-H-3	3	4,960	1	4-11	27/32	.6	9.0
M-732-H-4	4	4,960	1	4-12	29/32	1.03	29.0
M-732-H-5	5	4,960	1	11-15	1/64	1.03	33.3
M-732-H-6	6	11,500	1 1/2	4-12	29/32	1.03	29.0
M-732-H-7	7	11,500	1 1/2	11-15	1/64	1.03	33.3
M-732-H-8	8	11,500	2	4-12	29/32	1.03	29.0

Cat. No.	Clamp size	Body size (in)	Dimensions (in)														
			3	4	5	6	7	8	9	10	11	12	13	14	15		
M-732-H-1	1	25/32	5 3/16	5 1/8	5	4 13/16	4 3/8	3 15/16	—	—	—	—	—	—	—	—	
M-732-H-2	2	25/32	5 3/16	5 1/8	5	4 13/16	4 3/8	3 15/16	—	—	—	—	—	—	—	—	
M-732-H-3	3	27/32	—	8 1/4	8 1/8	8 1/8	7 7/8	7 7/8	7 3/8	7	6 1/2	—	—	—	—		
M-732-H-4	4	27/32	—	8 5/8	8 5/8	8 1/2	8 3/8	8 1/8	7 7/8	7 5/8	7	6 7/8	—	—	—		
M-732-H-5	5	1/64	—	—	—	—	—	—	—	—	9 1/2	9 1/4	8 7/8	8 3/8	7 7/8		
M-732-H-6	6	3/8	—	8 5/8	8 5/8	8 1/2	8 3/8	8 1/8	7 7/8	7 5/8	7	6 7/8	—	—	—		
M-732-H-7	7	1/64	—	—	—	—	—	—	—	—	9 7/8	9 1/2	9 1/8	8 7/8	8 1/8		
M-732-H-8	8	3/8	—	11 5/8	11 1/2	11 1/2	11 3/8	11 1/8	10 7/8	10 5/8	10 1/2	10	—	—	—		

Pipe straps, conduit clamps and hangers

M-732-EXT — Adjustable beam clamp

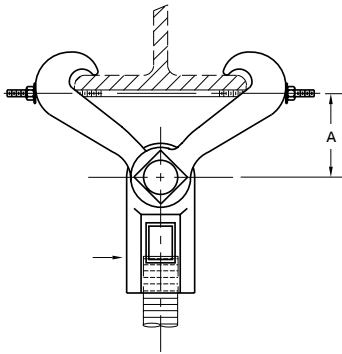
Designed to attach to the bottom of flanged beams without requiring welding. Normally used with the M-129 Extension Piece (not furnished) up to a maximum 7/8" (M20) rod diameter. Loading is achieved through the clamp jaws while locking is accomplished by tightening the through-bolt located directly below the flange. Maximum flange thickness is .60 inches.

Specifications

- Material: Malleable Iron
- Compliance: Federal Specification A-A-1192A Type 30, MSS-SP-69 Type 30 when used with a Figure 157
- Finish: Standard finish – GoldGalv®, Black (add suffix “-B”), Electro-Galvanized (add suffix “-EG”)
- Ordering: Specify catalog number and finish. Order M-129 separately if required.

M-732-EXT — Adjustable beam clamp

Cat. No.	Max. rod size (in)	Max. load (lbs)	Rod take out Beam flange width — B (in)						Weight each (lbs)
			2C 60	3 76	4 101	5 127	6 152	7 177	
M-732-EXT-3/8	3/8	610	3 1/2	3 7/16	3 5/16	2 15/16	2 9/16	1 7/8	1.91
M-732-EXT-1/2	1/2	1,130	3 1/2	3 7/16	3 5/16	2 15/16	2 9/16	1 7/8	2.11
M-732-EXT-5/8	5/8	1,365	3 1/2	3 7/16	3 5/16	2 15/16	2 9/16	1 7/8	2.15
M-732-EXT-3/4	3/4	1,365	3 1/2	3 7/16	3 5/16	2 15/16	2 9/16	1 7/8	2.36
M-732-EXT-7/8	7/8	1,365	3 1/2	3 7/16	3 5/16	2 15/16	2 9/16	1 7/8	2.49

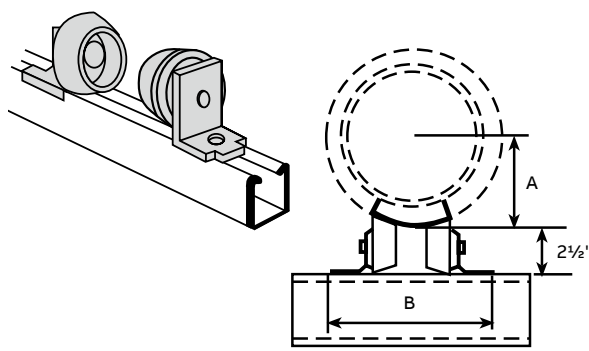


Pipe straps, conduit clamps and hangers

C-728 — Pipe roller (pair) & C728H — Pipe roller assembly (pair)

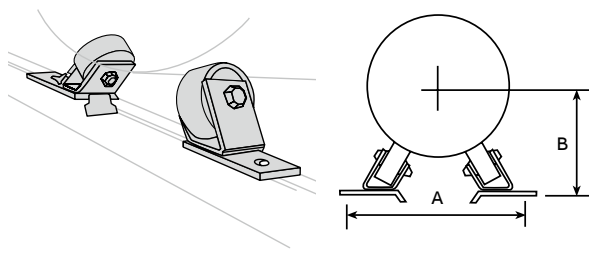
- Cast aluminum rollers, steel brackets
- Designed for standard saddles
- Order separately for each pair of rollers:
 - two ½" x ⅝" hex head cap screws
 - two ½" channel nuts
- Space to fit O.D. of pipe and wrapping
- Adjustable for radius up to 8"

C-728 — Pipe roller (pair)

Cat. No.	A Max OS radius (in)	B (in)	Design load (lbs)	STD CTN	
	C728	3¾	6¾	2,350	5 pair (10 pieces)
		4⅝	7½	2,350	5 pair (10 pieces)
		6¾	8½	2,350	5 pair (10 pieces)
		8½	9⅞	2,350	5 pair (10 pieces)

- Cast aluminum roller, steel brackets.
- Order separately for each pair of rollers:
 - Two ½" x ⅝" hex head cap screws
 - Two ½" channel nuts
- Adjustable to fit O.D. pipe 6" through 18".

C728H — Pipe roller assembly (pair)

Cat. No.	Pipe size (in)	A (in)	B (in)	Design load (lbs)	STD CTN	
	C728H	6	10 ¹³ / ₁₆	6 ⁹ / ₁₆	3,920	5 pair (10 pieces)
		8	11 ¹³ / ₁₆	7 ³ / ₈	3,920	5 pair (10 pieces)
		10	12 ⁷ / ₈	8 ⁵ / ₁₆	3,920	5 pair (10 pieces)
		12	13 ⁷ / ₈	9 ³ / ₁₆	3,920	5 pair (10 pieces)
		14	14 ¹ / ₂	9 ³ / ₄	3,920	5 pair (10 pieces)
		16	15 ¹ / ₂	10 ⁵ / ₈	3,920	5 pair (10 pieces)
		18	16 ¹ / ₂	11 ¹ / ₁₆	3,920	5 pair (10 pieces)

Pipe straps, conduit clamps and hangers

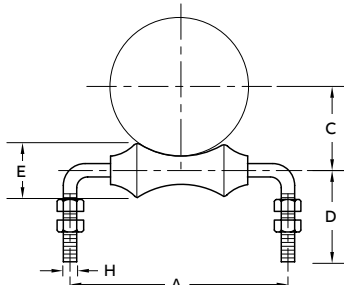
CR-729 — Roller support

Used on steam or hot water systems where pipe is to be supported in tunnels, trenches, structural brackets and frames. Adjustment is made by raising and lowering the top nut on the legs and locked into position by tightening the lower nut.

Specifications

- Material: Steel axle, cast iron roll
- Finish: Standard finish – GoldGalv®, Black (add suffix “-B”), Electro-Galvanized (add suffix “-EG”)

CR-729 — Roller support



	CR-729 Pipe size of roll	C-789 1" Cov. 25	C-789A 1½" Cov. 38	C-789B 2" Cov. 51	C-789C 2½" Cov. 64	C-789D 3" Cov. 76	C-789E 4" Cov. 100
	4	2½-3	2-2½	—	—	—	—
	5	3½	—	—	—	—	—
	6	4-5	3-3½	2-2½	—	—	—
	7	6	4-5	3-4	2-2½	2-2½	—
	8	8	6	5	3-3½	3-3½	—
	10	—	8	6	4-5	4-5	—
	12	10	10	8	6	6-8	4-6
	14	12	12	10	8	—	—
	16	14	14	12-14	10	8	8

Cat. No.	Pipe size (in)	Max. load (lbs)	Dimensions (in)					Weight each (lbs)
			A	C	D	E	H	
CR-729-2	2	300	4½	1⅝	3¼	1⅜	⅜	.79
CR-729-2-1/2	2½	600	5	1⅝	4½	1⅜	½	1.44
CR-729-3	3	600	5⅞	2¼	4½	1⅜	½	1.62
CR-729-3-1/2	3½	600	7	2⅝	4½	1⅝	½	1.64
CR-729-4	4	700	7	2⅜	4½	1⅜	½	1.82
CR-729-5	5	700	8½	3⅞	4½	2	⅝	2.90
CR-729-6	6	1,000	10	4⅞	4½	2⅜	¾	4.66
CR-729-8	8	1,300	12	5⅝	5¼	2¾	⅞	7.29
CR-729-10	10	1,700	14	6¼	5½	3⅜	⅞	10.23
CR-729-12	12	2,300	16	7⅞	6	3⅝	⅞	12.27
CR-729-14	14	3,075	17	8¾	7	4¾	1	21.39
CR-729-16	16	3,075	19	9⅞	8	5⅞	1	27.76

Pipe straps, conduit clamps and hangers

C-729 — Harvard roll hanger

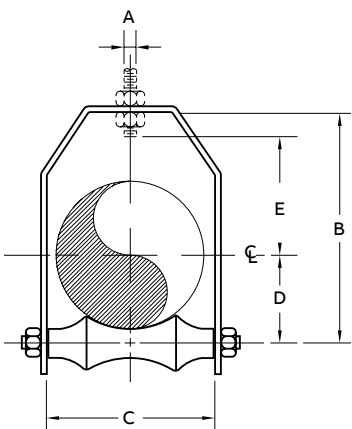
Designed to support piping lines from above, allowing for vertical adjustment and axial movement in the piping. The lower nut (not furnished) adjusts the pipe line to the proper elevation. The top nut (not furnished) prevents loosening due to vibration and must be tightened securely to assure proper hanger performance.

Specifications

- Material: Carbon Steel frame with a cast iron roll. Do not exceed 450° F/232° C at the contact point to the roll.

- Compliance: A-A-1192A Type 43 and MSS-SP-69 Type 43
- Finish: Black (add suffix “-B”), Electro-Galvanized (add suffix “-HDG”)
- For pipe with insulation and a pipe covering protection saddle the C-729 will have to be oversized to suit. Please see the table below showing the correct sizing for insulated pipe.
- Ordering: Specify pipe size, catalog number and finish.

C-729 — Harvard roll hanger



CR-729 Pipe size of roll	C-789 1" Cov. 25	C-789A 1½" Cov. 38	C-789B 2" Cov. 51	C-789C 2½" Cov. 64	C-789D 3" Cov. 76	C-789E 4" Cov. 100
2½	¾	—	—	—	—	—
3	1-1½	—	—	—	—	—
4	2-2½	1-1½	—	—	—	—
5	3-3½	2-2½	¾-1½	—	—	—
6	4	3-3½	2-2½	¾-1	—	—
7	5	4	3-3½	1¼-1½	2	—
8	6	5	4	2-3	2½	—
10	8	6	5-6	3½-5	3-4	—
12	10	8	8	6	5-6	—
14	12	10	—	8	5-6	—
16	14	12	10	10	8	8
18	—	14	14	12	12	10
20	—	16	16	14	14	12
24	—	20	20	18	18	16

Cat. No.	Pipe size (in)	Max. load (lbs)	Dimensions (in)					Wt. each (lbs)
			Rod size A	B	C	D	E	
C-729-2	2	150	½	4¼	2¾	1⅝	2⅝	1.60
C-729-2-1/2	2½	225	½	4⅞	3¼	2	2⅞	2.00
C-729-3	3	310	½	6¼	3⅞	2¼	3⅝	2.30
C-729-3-1/2	3½	390	½	6⅞	4½	2⅝	3½	2.50
C-729-4	4	475	⅝	7½	4⅞	2⅞	3⅝	4.00
C-729-5	5	685	⅝	8⅝	6⅝	3½	4½	5.30
C-729-6	6	780	¾	9⅞	7⅝	4	5	7.00
C-729-7	7	780	¾	11⅝	8½	4¾	5¼	9.40
C-729-8	8	780	⅞	12⅝	9½	5⅝	6⅝	12.30
C-729-10	10	965	⅞	15	11¼	6¼	7¼	19.30
C-729-12	12	965	⅞	17⅝	13½	7½	8⅝	23.10
C-729-14	14	1,200	1	18⅝	14⅝	8⅝	8¾	35.50
C-729-16	16	1,400	1	20½	17¼	9½	9¾	46.50
C-729-18	18	1,400	1	23⅝	19	10½	11½	57.00
C-729-20	20	1,600	1¼	24½	21	11⅝	12¼	75.90
C-729-24	24	1,800	1½	29⅞	24¾	14	15¾	119.30

Standard finish – GoldGalv®, unless otherwise stated.

Pipe straps, conduit clamps and hangers

CR-729A — Roller chair

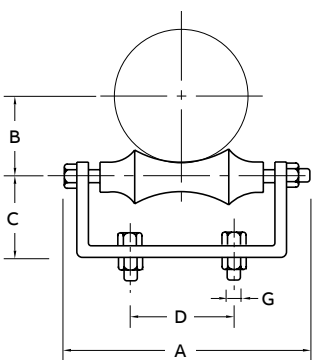
Designed for longitudinal movement of pipe where vertical adjustment is not required. Although two bolts are supplied for installation, the chair can be alternatively welded in position.

Specifications

- Material: Carbon steel chair and axle with cast iron pipe roll. Use a Figure 17 when a cast iron chair is required. Do not exceed 450° F/232° C at the contact point to the roll.

- Finish: Standard finish – GoldGalv®, Black (add suffix “-B”), Electro-Galvanized (add suffix “-EG”).
- For pipe with insulation and a pipe covering protection saddle, the CR-729A will have to be oversized to suit.
- Please see the Table for the RC-729A which shows the correct sizing for insulated pipe.
- Ordering: Specify pipe size, catalog number and finish.

CR-729A — Roller chair



Cat. No.	Pipe size (in)	Max. load (lbs)	Dimensions (in)				Bolt size G (in)	Weight each (lbs)
			A	B	C	D		
CR-729-2A	2	300	4 ⁷ / ₈	1 ⁵ / ₈	1 ¹ / ₂	2	³ / ₈ x 1 ¹ / ₂	1.10
CR-729-2-1/2A	2 ¹ / ₂	600	4 ⁷ / ₈	2	1 ⁵ / ₈	2	³ / ₈ x 1 ¹ / ₂	1.40
CR-729-3A	3	600	6	2 ¹ / ₄	1 ³ / ₄	2	³ / ₈ x 1 ¹ / ₂	1.60
CR-729-3-1/2A	3 ¹ / ₂	600	6 ¹ / ₂	2 ⁵ / ₈	2 ¹ / ₈	2	³ / ₈ x 1 ¹ / ₂	2.60
CR-729-4A	4	700	7	2 ⁷ / ₈	2 ³ / ₈	2 ¹ / ₂	³ / ₈ x 1 ¹ / ₂	2.90
CR-729-5A	5	700	7 ⁵ / ₈	3 ¹ / ₂	2 ¹ / ₂	3	¹ / ₂ x 2	3.90
CR-729-6A	6	1,000	9 ³ / ₄	4	2 ³ / ₄	3 ¹ / ₄	¹ / ₂ x 2	6.00
CR-729-8A	8	1,300	11 ⁷ / ₈	5 ¹ / ₈	3	4 ¹ / ₂	⁵ / ₈ x 2	9.00
CR-729-10A	10	1,700	14 ¹ / ₂	6 ³ / ₈	3 ⁵ / ₈	5	³ / ₄ x 2 ¹ / ₂	13.80
CR-729-12A	12	2,300	16 ¹ / ₄	7 ¹ / ₂	4 ¹ / ₈	6	³ / ₄ x 2 ¹ / ₂	18.90
CR-729-14A	14	3,100	18 ¹ / ₂	8 ³ / ₈	4 ³ / ₄	6 ¹ / ₂	³ / ₄ x 2 ¹ / ₂	28.10
CR-729-16A	16	3,900	20	9 ³ / ₈	5 ³ / ₈	10	⁷ / ₈ x 3	34.90
CR-729-18A	18	4,200	22 ³ / ₄	10 ¹ / ₂	6	9 ¹ / ₄	³ / ₄ x 2 ¹ / ₂	44.40
CR-729-20A	20	4,500	25 ⁵ / ₈	11 ⁵ / ₈	6 ¹ / ₂	10 ¹ / ₄	³ / ₄ x 2 ¹ / ₂	56.30
CR-729-24	24	6,000	30	14	7 ⁷ / ₈	12 ¹ / ₄	⁷ / ₈ x 3 ¹ / ₂	87.50

Standard finish – GoldGalv®, unless otherwise stated.

Pipe straps, conduit clamps and hangers

RC-729 — Adjustable roll support

Specifications

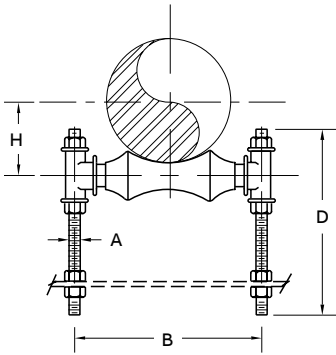
- Material: Cast iron pipe roll and sockets, carbon steel axle, continuous thread rods and hex nuts. Do not exceed 450° F/232° C at the contact point to the roll.

- Finish: Standard finish – GoldGalv®, Black (add suffix “-B”), Electro-Galvanized (add suffix “-EG”).
- For pipe with insulation and a pipe covering protection saddle, the RC-729 will have to be oversized to suit.
- Please see the table for the RC-729A which shows the correct sizing for insulated pipe.
- Ordering: Specify pipe size, catalog number and finish.

RC-729 — Adjustable roll support

Cat. No.	Pipe size (in)	Max. load (lbs)	Dimensions (in)			Bolt size G (in)	Weight each (lbs)
			A	B	D		
RC-729-1-1/4	1¼	300	¾	3¾	7¼	1¼	1.08
RC-729-1-1/2	1½	300	¾	3¾	7¼	1¾	1.11
RC-729-2	2	300	¾	4¾	7¼	1½	1.65
RC-729-2-1/2	2½	600	½	5½	8	2	2.72
RC-729-3	3	600	½	6½	8	2¼	2.72
RC-729-3-1/2	3½	700	½	7½	8	2⅝	2.72
RC-729-4	4	700	⅝	7⅝	8½	2⅞	3.91
RC-729-5	5	700	⅝	8⅝	9	3½	4.63
RC-729-6	6	1,000	¾	9⅝	9	4	7.07
RC-729-8	8	1,300	⅞	12	10	5½	11.40
RC-729-10	10	1,700	⅞	14⅝	11	6¾	13.70
RC-729-12	12	2,300	⅞	16⅝	12	7½	15.90
RC-729-14	14	3,075	1	17¾	12	8¾	28.70
RC-729-16	16	3,970	1	19¾	18	9½	42.50
RC-729-18	18	4,200	1	21⅞	18	10½	46.60
RC-729-20	20	4,550	1¼	24¼	18	11⅝	66.20
RC-729-24	24	6,160	1½	28⅝	24	14	102.50
RC-729-30	30	7,290	1½	35½	24	17½	186.80

Standard finish – GoldGalv®, unless otherwise stated.



Pipe straps, conduit clamps and hangers

RC-729A — Adjustable roll support

Designed for longitudinal movement of pipe where vertical adjustment is required. Although primarily used for support of the pipe, this component may also be placed over the pipe to act as a guide.

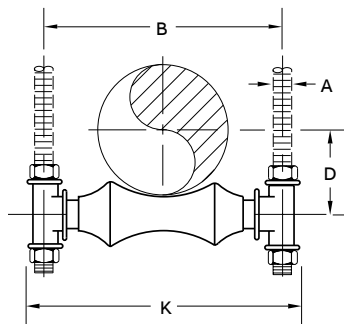
Specifications

- Material: Cast iron pipe roll and sockets with a carbon steel axle. Do not exceed 450° F/232° C at the contact point to the roll.

- Compliance: A-A-1192A Type 42, MSS SP-69 Type 41.
- Finish: Black (add suffix “-B”). Electro-Galvanized (add suffix “-HDG”).
 - For pipe with insulation and a pipe covering protection saddle, the RC-729A will have to be oversized to suit.
 - Please see the table below which shows the correct sizing for insulated pipe.
- Ordering: Specify pipe size, catalog number and finish.

RC-729A — Adjustable roll support

	RC-729A Pipe size of roll	C-789 1" Cov. 25	C-789A 1½" Cov. 38	C-789B 2" Cov. 51	C-789C 2½" Cov. 64	C-789D 3" Cov. 76	C-789E 4" Cov. 100
	2½	¾-1	—	—	—	—	—
	3	1¼-1½	¾-1	—	—	—	—
	4	2½-3	1½	¾-1	—	—	—
	5	3½	2-2½	1¼-1½	¾-1	—	—
	6	4-5	3-3½	2-2½	1¼-1½	—	—
	7	6	4-5	3-4	2-2½	2-2½	—
	8	—	6	5	3-3½	3-3½	—
	10	8	8	6	4-5	4-5	—
	12	10	10	8	6	6-8	4-6
	14	12	12	10	8	—	—
	16	14	14	12-14	10	10	8
	18	16	16	16	12-14	12-14	10
	20	18	18	—	16	—	12
	24	20	20	18-20	18-20	16-20	14-18
	30	24	24	24	24	24	20-24



Cat. No.	Pipe size (in)	Max. load (lbs)	Dimensions (in)				Weight each (lbs)	Cat. No.	Pipe size (in)	Max. load (lbs)	Dimensions (in)				Weight each (lbs)
			Rod size A	B	D	K					Rod size A	B	D	K	
RC-729A-1	1	600	¾	3	1	4½	.45	RC-729A-8	8	1,300	¾	12	5½	14	6.43
RC-729A-1-1/4	1¼	600	¾	3¾	1¼	4½	.48	RC-729A-10	10	1,700	¾	14½	6¼	16	8.45
RC-729A-1-1/2	1½	600	¾	3¾	1¾	4¾	.51	RC-729A-12	12	2,400	¾	16½	7½	18	10.20
RC-729A-2	2	600	¾	4½	1¾	5¼	.57	RC-729A-14	14	3,100	1	17¾	8¾	20	20.90
RC-729A-2-1/2	2½	600	½	5½	2	7	1.48	RC-729A-16	16	3,900	1	19¾	9½	22½	26.07
RC-729A-3	3	700	½	6½	2¼	7½	1.48	RC-729A-18	18	4,200	1	22½	10½	24¾	36.59
RC-729A-4	4	700	½	7½	2¾	8½	1.78	RC-729A-20	20	4,500	1¼	24½	11¾	26¾	39.00
RC-729A-5	5	700	½	8¾	3½	9¾	2.42	RC-729A-24	24	6,100	1½	28¾	14	32¾	66.90
RC-729A-6	6	1,000	¾	9¾	4	11¾	3.96	RC-729A-30	30	7,200	1½	35½	17½	39¾	134.00
RC-729A-7	7	1,200	¾	10¾	4¾	12½	5.99								

Standard finish – GoldGalv®, unless otherwise stated.

Pipe straps, conduit clamps and hangers

S-730-C — Chair and roll

Designed for longitudinal movement of pipe where vertical adjustment is not required. Because the chair is made of steel, it can be either welded or bolted in position.

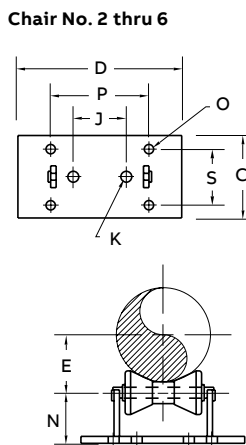
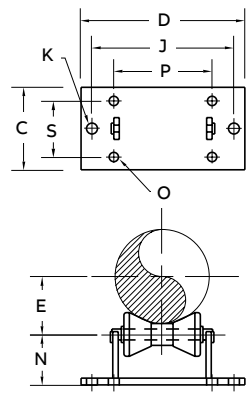
Specifications

- Material: Carbon steel chair and axle with cast iron pipe roll.
- Use a Figure 17 when a Cast Iron Chair is required.
- Do not exceed 450° F/232° C at the contact point to the roll.

- Compliance: Federal Specification A-A-1192A Type 44, MSS-SP-69 Type 44.
- Finish: Black (add suffix “-B”). Electro-Galvanized (add suffix “-HDG”).
 - For pipe with insulation and a pipe covering protection saddle, the S-730-C will have to be oversized to suit.
 - Please see the Table below showing the correct sizing for insulated pipe.
- Ordering: Specify chair number, catalog number and finish.

S-730-C — Chair and roll

Chair No.	Bare pipe size (in)	C-789 1" Cov. 25	C-789A 1 1/2" Cov. 38	C-789B 2" Cov. 51	C-789C 2 1/2" Cov. 64	C-789D 3" Cov. 76	C-789E 4" Cov. 102
Chair No. 1A & 1	125/32	2	—	—	—	—	—
—	2 1/2	3/4-3	3/4-2 1/2	3/4-1 3/4	—	—	—
—	3	20-80	20-65	20-40	—	—	—
—	3 1/2	—	—	—	—	—	—
1	4	4-6	3-5	2-4	3/4-1 1/2	—	—
—	5	100-150	80-125	50-100	20-40	—	—
—	6	—	—	—	—	—	—
2	8	8	6-8	5-8	2-5	2-6	4-5
—	10	200	150-200	125-200	50-125	50-150	100-125
3	12	10-12	10-12	10-12	6-8	8	6-8
—	14	250-300	250-300	250-300	150-200	200	150-200
4	16	14-18	14-18	14-18	10-16	10-14	10-12
—	18	350-450	350-450	350-450	250-400	250-350	250-300
—	20	—	—	—	—	—	—
5	24	20	20	18-20	18-20	16-18	14-18
5	600	500	500	450-500	450-500	400-450	350-450
6	30	24	24	24	24	20-24	20-24
6	750	600	600	600	600	500-600	500-600
7	36	30	30	30	30	30	28
—	900	750	750	750	750	750	700
7	42	40	36	36	36	36	32
—	1,050	1,000	900	900	900	900	800



Pipe straps, conduit clamps and hangers

S-730-C — Chair and roll (continued)

S-730-C — Chair and roll (continued)

Cat. No.	Chair No.	Max. load (lbs)	Bare pipe size (in)	Dimensions (in)											Weight each (lbs)
				C	D	E	J	K	M	N	O	P	S		
S-730-C-1A	1 ^{25/32}	390	2	6	8½	1½	6½	1	¼	2	4 ^{7/64}	3½	4½	7.0	
			2½			1¾									
			3			2½									
			3½			2¾									
S-730-C-1	1	950	4	6	10½	2¾	8	1	¼	2¾	4 ^{7/64}	4¾	4¾	10.5	
			5			3¾									
			6			3¾									
S-730-C-2	2	2,100	8	7	9	5½	4	1	¾	3¾	1 ^{1/16}	7	5	16.5	
			10			6¼									
S-730-C-3	3	3,075	12	8	11	7¾	5¾	1	¾	4¾	1 ^{1/16}	9	6	26.8	
			14			8									
S-730-C-4	4	4,980	16	9	12½	8¾	6¾	1	½	4¾	1 ^{3/16}	10	6½	40.5	
			18			10									
			20			11									
S-730-C-5	5	6,100	24	8¾	13¾	13	7½	1	5/8	4 ^{7/8}	1 ^{3/16}	11½	6¾	51.0	
S-730-C-6	6	7,500	30	11	17¼	16¼	10	1	5/8	5 ^{5/8}	1 ^{3/16}	14¾	8	89.8	
S-730-C-7	7	12,000	36	12	20	20	12	1	1	5 ^{7/8}	1 ^{1/16}	17	9	145	

Pipe straps, conduit clamps and hangers

C-786 — Adjustable pipe support

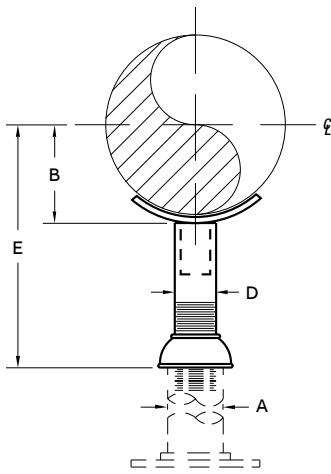
Used for support of piping from below without welding to the pipe, and consists of a steel saddle, nipple and pipe reducer. It connects to a threaded pipe standard and base.

Rated loads are for up to 650° F (343° C).

Specifications

- Materials: Reducer is cast iron, pipe saddle and nipple are carbon steel.
- Compliance: Federal Specification A-A-1192A Type 39, MSS-SP-69 Type 39.
- Finish: Standard finish – GoldGalv®, Black (add suffix “-B”), Electro-Galvanized (add suffix “-EG”).
- Ordering: Specify pipe size, catalog number and finish.

C-786 — Adjustable pipe support



Cat. No.	Pipe size (in)	Max. load (lbs)	Dimensions (in)					Weight each (lbs)
			A	B	D	Min. E	Max. E	
C-786-1-1/2	1½	5,000	2½	1¼	1½	8	13	4.75
C-786-2	2	5,000	2½	1½	1½	8	13	4.80
C-786-2-1/2	2½	5,000	2½	1⅞	1½	8	13	4.90
C-786-3	3	5,000	2½	2⅛	1½	8¼	13¼	5.00
C-786-4	4	7,000	3	2⅝	2½	9⅞	14⅞	9.30
C-786-5	5	7,000	3	3¼	2½	9⅞	14⅞	9.65
C-786-6	6	7,000	3	3⅞	2½	10¼	15¼	11.70
C-786-8	8	7,000	3	4⅞	2½	11¼	16¼	12.90
C-786-10	10	7,000	3	5⅞	2½	12⅞	17⅞	14.10
C-786-12	12	7,000	3	6⅞	2½	13⅞	18⅞	15.30
C-786-14	14	7,000	4	7½	3	15½	20½	21.70
C-786-16	16	7,000	4	8⅞	3	16⅞	21⅞	25.40
C-786-18	18	7,000	6	9⅞	4	19⅞	24⅞	39.30
C-786-20	20	7,000	6	10⅞	4	20⅞	25⅞	44.90
C-786-24	24	10,000	6	12¾	4	22¼	27¼	54.30
C-786-30	30	10,000	6	15¾	4	25¼	30¼	62.40
C-786-36	36	10,000	6	18¾	4	28¼	33¼	70.20

Standard finish – GoldGalv®, unless otherwise stated.

Pipe straps, conduit clamps and hangers

C-789, C-789A, C789B, C-789C, C-789D & C-789E — Pipe covering protection saddle

The C-789 saddles are used to protect the insulation against damage and keep heat loss to a minimum. They are designed for 1" to 5" of covering. All Saddles are 12" long with three tabs on each side for welding to pipe. Sizes 12" and larger have a welded-in center rib.

Specifications

- Material: Carbon steel (except C-789 and C-789-8 which are chromium molybdenum steel).
- Compliance: Federal Specification A-A-1192A Type 39A or 39B, MSS-SP-69 Type 39A or 39B and BSPSS-BS3974.
- Finish: Standard finish – GoldGalv®, Black (add suffix “-B”), Electro-Galvanized (add suffix “-EG”).
- Ordering: Specify catalog number and pipe size.

Pipe saddles and pipe shields

Cat. No.	Pipe size (in)	Max. covering thickness (in)	Actual covering thickness (in)	Max load (lbs)	Figure 1 (in)			Figure 2 (in)			Weight each (lbs)
					Roll size	A	B	Roll size	A	B	
C-789-3/4	3/4	1	15/16	1,200	2 1/2	2 1/8	1 5/8	2-3 1/2	2 5/16	1 5/8	1.15
C-789A-3/4	3/4	1 1/2	1 1/2	1,200	3	2 5/8	2 1/8	2-3 1/2	2 1 1/16	2 1/4	2.10
C-789B-3/4	3/4	2	2	1,200	4	3 1/4	2 5/8	2-3 1/2	3 3/8	2 5/8	2.63
C-789-1	1	1	1 1/16	1,200	2 3/4	2 3/4	1 3/4	2-3 1/2	2 7/16	1 3/4	1.15
C-789A-1	1	1 1/2	1 9/16	1,200	3	2 7/8	2 3/8	2-3 1/2	2 1 5/16	2 3/8	2.10
C-789B-1	1	2	2 1/8	1,200	4	3 3/8	2 3/4	2-3 1/2	3 1/2	2 3/4	2.63
C-789-1-1/4	1 1/4	1	7/8	1,200	3	2 1/2	2	2-3 1/2	2 9/16	2	1.25
C-789A-1-1/4	1 1/4	1 1/2	1 5/8	1,200	3 1/2	3	2 1/2	2-3 1/2	3 3/16	2 1/2	2.10
C-789B-1-1/4	1 1/4	2	1 15/16	1,200	5	3 5/8	3 1/16	2-3 1/2	3 1 1/16	3 1/16	2.63
C-789C-1-1/4	1 1/4	2 1/2	2 1/2	1,200	6	4 1/4	3 1/2	4-6	4 1/16	3 1/2	3.25
C-789-1-1/2	1 1/2	1	1 1/16	1,200	3	2 1/2	2	2-3 1/2	2 1 1/16	2	1.50
C-789A-1-1/2	1 1/2	1 1/2	1 9/16	1,200	4	3 1/8	2 5/8	2-3 1/2	3 5/16	2 5/8	2.10
C-789B-1-1/2	1 1/2	2	2 3/8	1,800	5	4 9/16	3 3/8	2-3 1/2	3 3/4	3 3/8	3.10
C-789C-1-1/2	1 1/2	2 1/2	2 7/8	1,800	6	4 5/8	3 7/8	4-6	4 3/16	3 7/8	3.75
C-789-2	2	1	1 1/16	1,200	3 1/2	2 7/8	2 3/8	2-3 1/2	2 1 5/16	2 3/8	1.63
C-789A-2	2	1 1/2	1 9/16	1,200	4	3 9/16	2 5/8	2-3 1/2	3 5/16	2 5/8	2.10
C-789B-2	2	2	2 1/8	1,800	6	4 1/4	3 1/2	4-6	3 7/8	3 1/2	3.12
C-789C-2	2	2 1/2	2 5/8	1,800	7	4 3/4	4	4-6	4 1 3/16	4	3.63
C-789D-2	2	3	3 1/16	1,800	7	5 1/4	4 1/2	7-10	5 5/16	4 1/2	4.40
C-789-2-1/2	2 1/2	1	1 1/16	1,200	4	3 1/2	2 7/8	2-3 1/2	3 9/16	2 7/8	1.75
C-789A-2-1/2	2 1/2	1 1/2	1 7/8	1,200	6	4 1/2	3 3/8	2-3 1/2	3 3/4	3 3/8	2.40
C-789B-2-1/2	2 1/2	2	2 3/8	1,800	6	4 5/8	3 7/8	4-6	4 3/16	3 7/8	3.12
C-789C-2-1/2	2 1/2	2 1/2	2 7/8	1,800	7	5 9/16	4 3/8	7-10	5 1/16	4 3/8	3.63
C-789D-2-1/2	2 1/2	3	3 3/8	1,800	7	5 5/8	4 7/8	7-10	5 5/16	4 7/8	4.40

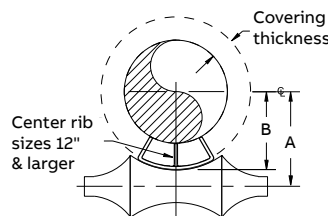


Figure 1

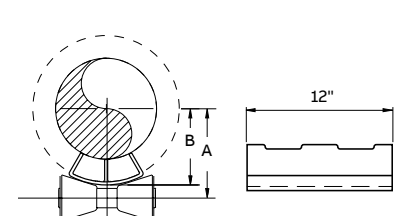


Figure 2

Standard finish – GoldGalv®, unless otherwise stated.

Pipe straps, conduit clamps and hangers

C-789, C-789A, C789B, C-789C, C-789D & C-789E — Pipe covering protection saddle (continued)

Pipe saddles and pipe shields (continued)

Cat. No.	Pipe size (in)	Max. covering thickness (in)	Actual covering thickness (in)	Max load (lbs)	Roll size	Figure 1 (in)		Figure 2 (in)			Weight each (lbs)
						A	B	Roll size	A	B	
C-789-3	3	1	1 ¹ / ₁₆	1,200	4	3 ¹ / ₂	2 ⁷ / ₈	2-3 ¹ / ₂	3 ⁹ / ₁₆	2 ⁷ / ₈	1.75
C-789A-3	3	1 ¹ / ₂	1 ⁹ / ₁₆	1,800	6	4 ¹ / ₂	3 ³ / ₄	4-6	4 ¹ / ₁₆	3 ³ / ₄	2.75
C-789B-3	3	2	2 ¹ / ₁₆	1,800	7	4 ³ / ₄	4	4-6	4 ⁹ / ₁₆	4	3.50
C-789C-3	3	2 ¹ / ₂	2 ⁹ / ₁₆	1,800	8	5 ³ / ₈	4 ⁵ / ₈	7-10	5 ³ / ₈	4 ⁵ / ₈	3.93
C-789D-3	3	3	3 ¹ / ₁₆	1,800	8	5 ⁷ / ₈	5	7-10	6	5	4.40
C-789-4	4	1	1 ¹ / ₁₆	5,000	6	4 ¹ / ₄	3 ¹ / ₂	4-6	4	3 ¹ / ₂	2.13
C-789A-4	4	1 ¹ / ₂	1 ⁹ / ₁₆	5,000	7	4 ³ / ₄	4	4-6	4 ¹ / ₁₆	4	3.00
C-789B-4	4	2	2 ¹ / ₁₆	5,000	7	5 ³ / ₈	4 ⁵ / ₈	4-6	5 ¹ / ₈	4 ⁵ / ₈	3.50
C-789C-4	4	2 ¹ / ₂	2 ⁹ / ₁₆	5,000	10	6	5 ¹ / ₈	7-10	5 ⁷ / ₈	5 ¹ / ₈	3.93
C-789D-4	4	3	3 ¹ / ₈	5,000	10	6 ⁵ / ₈	5 ³ / ₄	7-10	6 ⁵ / ₈	5 ³ / ₄	5.00
C-789E-4	4	4	4 ¹ / ₈	5,000	12	7 ³ / ₄	6 ¹ / ₂	7-10	7 ⁹ / ₁₆	6 ¹ / ₂	6.30
C-789-4	4	4	4 ¹ / ₁₆	5,000	12	7 ³ / ₄	6 ¹ / ₂	7-10	7 ⁵ / ₈	6 ¹ / ₂	14.45
C-789-4	4	5 ¹ / ₂	5 ¹ / ₁₆	5,000	16	9 ⁵ / ₈	8 ³ / ₄	16	9 ¹ / ₂	8 ³ / ₄	26.40
C-789-5	5	1	1 ¹ / ₁₆	1,800	6	4 ⁷ / ₈	4 ¹ / ₈	4-6	4	4 ¹ / ₈	2.38
C-789A-5	5	1 ¹ / ₂	1 ⁹ / ₁₆	1,800	7	5 ¹ / ₂	4 ³ / ₄	4-6	5 ³ / ₁₆	4 ³ / ₄	3.00
C-789B-5	5	2	2 ¹ / ₁₆	1,800	8	6	5 ¹ / ₄	7-10	6	5 ¹ / ₄	3.62
C-789C-5	5	2 ¹ / ₂	2 ⁹ / ₁₆	1,800	10	6 ⁵ / ₈	5 ³ / ₄	7-10	6 ⁷ / ₁₆	5 ³ / ₄	4.06
C-789D-5	5	3	3 ¹ / ₁₆	1,800	10	7 ¹ / ₈	6 ¹ / ₄	7-10	7 ⁵ / ₃₂	6 ¹ / ₄	5.00
C-789E-5	5	4	4 ¹ / ₄	1,800	12	8 ³ / ₄	7	7-10	8 ³ / ₃₂	7	6.30
C-789-5	5	4	4 ³ / ₁₆	5,000	12	8 ³ / ₈	7 ¹ / ₈	7-10	8 ¹ / ₄	7 ¹ / ₈	14.95
C-789-5	5	5 ¹ / ₂	5 ¹ / ₁₆	5,000	18	10 ³ / ₁₆	8 ³ / ₄	18	10 ³ / ₄	8 ³ / ₄	27.40
C-789-6	6	1	1	1,800	7	5 ³ / ₈	4 ⁵ / ₈	4-6	5 ¹ / ₈	4 ⁵ / ₈	3.85
C-789A-6	6	1 ¹ / ₂	1 ¹ / ₂	1,800	8	5 ⁷ / ₈	5	7-10	6 ³ / ₁₆	5	4.75
C-789B-6	6	2	2 ¹ / ₁₆	1,800	10	6 ³ / ₈	5 ¹ / ₂	7-10	6 ¹ / ₂	5 ¹ / ₂	6.28
C-789C-6	6	2 ¹ / ₂	2 ⁹ / ₁₆	1,800	12	7	6	12-15	7 ⁵ / ₈	6	7.09
C-789D-6	6	3	3 ¹ / ₁₆	1,800	12	7 ³ / ₄	6 ¹ / ₂	7-10	7 ¹ / ₂	6 ¹ / ₂	8.10
C-789E-6	6	4	4 ³ / ₁₆	1,800	12	8 ⁷ / ₈	7 ⁵ / ₈	12-15	8 ¹ / ₁₆	7 ⁵ / ₈	10.15
C-789-6	6	4	4 ¹ / ₈	7,200	12	8 ⁷ / ₈	7 ⁷ / ₈	12-15	8 ⁷ / ₈	7 ⁷ / ₈	16.00
C-789-6	6	5 ¹ / ₂	5 ⁵ / ₈	7,200	18	11 ⁹ / ₁₆	10	18	11 ¹ / ₂	10	27.50
C-789-8	8	1	1 ¹ / ₁₆	1,800	10	7	6	7-10	6 ⁹ / ₁₆	6	5.05
C-789A-8	8	1 ¹ / ₂	1 ⁹ / ₁₆	1,800	10	7	6	7-10	7 ³ / ₁₆	6	5.25
C-789B-8	8	2	2 ¹ / ₁₆	1,800	12	7 ¹ / ₂	6 ¹ / ₂	7-10	7 ¹ / ₁₆	6 ¹ / ₂	7.00

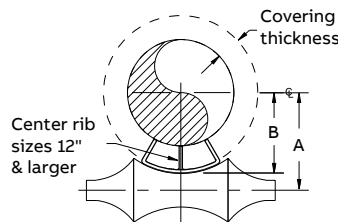


Figure 1

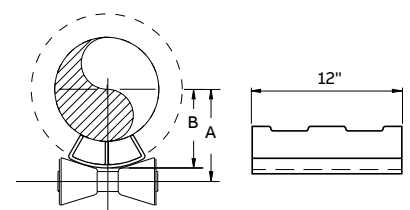


Figure 2

Pipe straps, conduit clamps and hangers

C-789, C-789A, C789B, C-789C, C-789D & C-789E — Pipe covering protection saddle (continued)

—
Pipe saddles and pipe shields (continued)

Cat. No.	Pipe size (in)	Max. covering thickness (in)	Actual covering thickness (in)	Max load (lbs)	Roll size	Figure 1 (in)		Figure 2 (in)			Weight each (lbs)
						A	B	Roll size	A	B	
C-789C-8	8	2½	2 ¹¹ / ₁₆	1,800	14	8¾	7	12-15	8 ¹¹ / ₁₆	7	7.55
C-789D-8	8	3	3 ³ / ₁₆	1,800	12	8 ⁷ / ₈	7 ⁵ / ₈	12-15	8 ²⁷ / ₃₂	7 ⁵ / ₈	9.90
C-789E-8	8	4	4 ³ / ₁₆	1,800	16	10	8¾	12-15	9 ³ / ₁₆	8¾	10.13
C-789-8	8	4	4 ³ / ₁₆	7,200	16	10	8¾	12-15	9 ⁷ / ₈	8¾	16.90
C-789-8	8	5½	5 ⁵ / ₁₆	7,200	20	11 ¹³ / ₁₆	10¼	20	11¾	10¼	34.10
C-789-10	10	1	1	1,800	10	8¾	7¼	7-10	6 ⁵ / ₁₆	7¼	5.05
C-789A-10	10	1½	1 ⁵ / ₈	1,800	10	8¾	7¼	7-10	7 ³ / ₁₆	7¼	5.25
C-789B-10	10	2	2 ¹ / ₁₆	1,800	12	9 ¹ / ₈	7 ⁷ / ₈	7-10	7 ¹¹ / ₁₆	7 ⁷ / ₈	7.0
C-789C-10	10	2½	2 ³ / ₈	1,800	16	9 ⁵ / ₈	8 ¹ / ₈	16-20	9 ¹¹ / ₁₆	8 ¹ / ₈	8.75
C-789D-10	10	3	3 ³ / ₈	5,000	16	10 ¹ / ₈	8 ⁷ / ₈	16-20	10 ³ / ₈	8 ⁷ / ₈	10.70
C-789E-10	10	4	4 ¹ / ₈	5,000	18	11 ¹ / ₈	9¾	16-20	11 ¹ / ₁₆	9¾	13.88
C-789-10	10	4	4 ¹ / ₁₆	7,200	18	11 ¹ / ₈	9¾	16-20	11 ¹ / ₈	9¾	17.50
C-789-10	10	5½	5 ⁵ / ₁₆	7,200	20	13 ¹ / ₈	11¼	20	12 ⁵ / ₈	11¼	36.60
C-789-12	12	1	1 ¹ / ₈	2,500	14	9 ³ / ₈	8 ¹ / ₈	12-15	9¼	8 ¹ / ₈	7.30
C-789A-12	12	1½	1 ⁵ / ₈	5,000	14	9 ³ / ₈	8 ¹ / ₈	12-15	9 ⁷ / ₈	8 ¹ / ₈	7.35
C-789B-12	12	2	2 ¹ / ₈	5,000	16	10	8 ⁵ / ₈	16-20	9 ⁵ / ₁₆	8 ⁵ / ₈	9.20
C-789C-12	12	2½	2 ³ / ₈	5,000	18	10½	9 ¹ / ₈	16-20	10 ⁵ / ₁₆	9 ¹ / ₈	10.04
C-789D-12	12	3	3 ³ / ₈	5,000	18	11¼	9¾	16-20	11 ¹ / ₈	9¾	11.00
C-789E-12	12	4	4 ¹ / ₈	5,000	20	12¼	10¾	16-20	12 ¹ / ₁₆	10¾	14.45
C-789-12	12	4	4 ¹ / ₈	11,000	20	12¼	10¾	16-20	12 ¹ / ₈	10¾	28.00
C-789-12	12	5½	5 ⁵ / ₁₆	11,000	24	14¼	12 ³ / ₈	24	13¾	12 ³ / ₈	36.60
C-789A-14	14	1½	1½	5,000	16	10¼	9	16-20	10 ³ / ₈	9	8.25
C-789B-14	14	2	2	5,000	18	10¾	9 ³ / ₈	16-20	10¾	9 ³ / ₈	9.20
C-789C-14	14	2½	2 ³ / ₈	5,000	18	11 ³ / ₈	9 ⁷ / ₈	16-20	11¼	9 ⁷ / ₈	10.04
C-789D-14	14	3	3	5,000	18	12	10½	16-20	11¼	10½	11.00
C-789E-14	14	4	4	5,000	24	13¼	11¾	22-24	12 ³ / ₈	11¾	15.50
C-789-14	14	4	4	11,000	24	12¾	11¼	22-24	11 ⁷ / ₈	11¼	27.60
C-789-14	14	5½	5½	11,000	24	15	13 ¹ / ₈	24	14½	13 ¹ / ₈	36.60
C-789A-16	16	1½	1½	5,000	18	11 ¹ / ₈	9¾	16-20	11¼	9¾	8.25
C-789B-16	16	2	2	5,000	20	11¾	10¼	16-20	11 ⁷ / ₈	10¼	9.20
C-789C-16	16	2½	2½	7,200	20	12¼	10¾	16-20	12¼	10¾	13.69

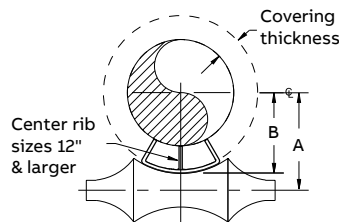


Figure 1

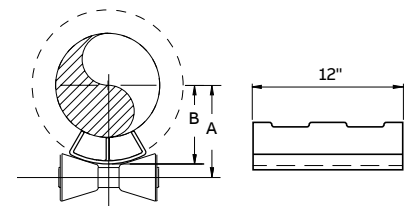


Figure 2

Pipe straps, conduit clamps and hangers

C-789, C-789A, C789B, C-789C, C-789D & C-789E — Pipe covering protection saddle
(continued)

—
Pipe saddles and pipe shields (continued)

Cat. No.	Pipe size (in)	Max. covering thickness (in)	Actual covering thickness (in)	Max load (lbs)	Roll size	Figure 1 (in)		Figure 2 (in)		Weight each (lbs)	
						A	B	Roll size	A		B
C-789D-16	16	3	3	7,200	24	12 ⁷ / ₈	11 ¹ / ₈	22-24	12 ⁷ / ₈	11 ¹ / ₈	14.65
C-789E-16	16	4	4	7,200	24	14	12 ¹ / ₄	22-24	13 ³ / ₁₆	12 ¹ / ₄	15.50
C-789-16	16	4	4	11,000	24	14	12 ¹ / ₄	22-24	13 ⁵ / ₈	12 ¹ / ₄	30.10
C-789-16	16	5 ¹ / ₂	5 ¹ / ₂	11,000	30	16 ¹ / ₂	13 ⁷ / ₈	30	15 ³ / ₄	13 ⁷ / ₈	39.00
C-789A-18	18	1 ¹ / ₂	1 ¹ / ₂	5,000	20	12 ¹ / ₄	10 ³ / ₄	16-20	12 ¹ / ₄	10 ³ / ₄	9.35
C-789B-18	18	2	2	7,200	24	13 ¹ / ₈	11 ⁵ / ₈	22-24	12 ³ / ₈	11 ⁵ / ₈	12.00
C-789C-18	18	2 ¹ / ₂	2 ¹ / ₂	7,200	24	13 ¹ / ₂	11 ³ / ₄	22-24	13	11 ³ / ₄	14.19
C-789D-18	18	3	3	7,200	24	14	12 ¹ / ₄	22-24	13 ¹ / ₂	12 ¹ / ₄	15.25
C-789E-18	18	4	4	7,200	24	15 ³ / ₈	13 ⁵ / ₈	22-24	14 ³ / ₈	13 ⁵ / ₈	21.00
C-789-18	18	4	4	13,200	24	15 ¹ / ₈	13 ³ / ₈	22-24	14 ³ / ₈	13 ³ / ₈	40.30
C-789-18	18	5 ¹ / ₂	5 ¹ / ₂	13,200	30	17 ¹ / ₂	15	30	16 ⁷ / ₈	15	52.10
C-789A-20	20	1 ¹ / ₂	1 ¹ / ₂	7,200	24	13 ¹ / ₂	11 ³ / ₄	22-24	13	11 ³ / ₄	11.05
C-789B-20	20	2	2	7,200	24	14	12 ¹ / ₄	22-24	13 ¹ / ₂	12 ¹ / ₄	12.40
C-789C-20	20	2 ¹ / ₂	2 ¹ / ₂	7,200	24	14 ⁵ / ₈	12 ⁷ / ₈	22-24	14 ¹ / ₈	12 ⁷ / ₈	14.19
C-789D-20	20	3	3	7,200	24	15 ¹ / ₄	13 ³ / ₄	26-30	14 ⁷ / ₈	13 ³ / ₄	15.25
C-789E-20	20	4	4	7,200	30	16 ¹ / ₂	14 ¹ / ₄	26-30	15 ³ / ₄	14 ¹ / ₄	22.80
C-789-20	20	4	4	13,200	7	16 ⁵ / ₈	14 ³ / ₈	26-30	15 ⁷ / ₈	14 ³ / ₈	44.80
C-789-20	20	5 ¹ / ₂	5 ¹ / ₂	13,200	30	18 ¹ / ₂	16	30	17 ⁷ / ₈	16	52.10
C-789A-24	24	1 ¹ / ₂	1 ¹ / ₂	7,200	30	16 ³ / ₈	14 ¹ / ₈	26-30	15 ³ / ₄	14 ¹ / ₈	12.90
C-789B-24	24	2	2	7,200	30	16 ³ / ₈	14 ¹ / ₈	26-30	15 ³ / ₄	14 ¹ / ₈	13.90
C-789C-24	24	2 ¹ / ₂	2 ¹ / ₂	7,200	30	17	14 ³ / ₄	26-30	16 ⁵ / ₈	14 ³ / ₄	18.07
C-789D-24	24	3	3	7,200	30	17 ¹ / ₂	15 ¹ / ₄	26-30	17 ¹ / ₈	15 ¹ / ₄	19.35
C-789E-24	24	4	4	7,200	30	18 ³ / ₄	16 ¹ / ₂	26-30	18	16 ¹ / ₂	23.10
C-789-24	24	4	4	13,200	30	18 ⁷ / ₈	16 ⁵ / ₈	26-30	18 ¹ / ₈	16 ⁵ / ₈	45.40

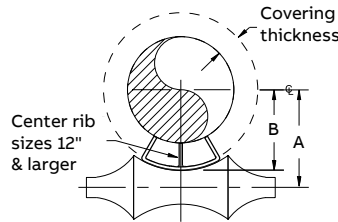


Figure 1

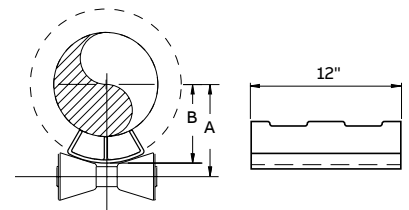


Figure 2

Standard finish – GoldGalv®, unless otherwise stated.

Pipe straps, conduit clamps and hangers

C-790 — Insulation shield

Designed to protect the insulation and distribute the load at the hanger point. This item is usually used with our C-710 Clevis Hanger.

Specifications

- Approvals: Federal Specification A-A-1192A Type 40, MSS-SP-69 Type 40
- Material: Carbon Steel
- Finish: Standard finish – GoldGalv®, Black (add suffix “-B”), Electro-Galvanized (add suffix “-EG”)
- Ordering: Specify hanger size and catalog number

C-790 — Insulation shield

Cat. No.	Inside diameter (in)	Clevis hanger size (in)	Length (in)	Weight each (lbs)	Cat. No.	Inside diameter (in)	Clevis hanger size (in)	Length (in)	Weight each (lbs)
C-790-1A	2 ³ / ₈	2	12	.62	C-790-10A	8 ⁵ / ₈	8	12	2.02
C-790-2A	2 ⁷ / ₈	2 ¹ / ₂	12	.76	C-790-11B	9 ⁵ / ₈	10	12	2.28
C-790-3A	3 ¹ / ₂	3	12	.92	C-790-12B	10 ³ / ₄	10	12	2.54
C-790-4A	4	3 ¹ / ₂	12	1.04	C-790-13C	11 ³ / ₄	12	12	2.84
C-790-5A	4 ¹ / ₂	4	12	1.16	C-790-14C	12 ³ / ₄	12	12	4.18
C-790-6A	5	5	12	1.32	C-790-15C	14	14	12	4.58
C-790-7A	5 ⁵ / ₈	5	12	1.46	C-790-16C	15	16	12	4.90
C-790-8A	6 ⁵ / ₈	6	12	1.58	C-790-17C	16	16	12	5.20
C-790-9A	7 ⁵ / ₈	7	12	1.74	C-790-18C	17	18	12	5.53

Standard finish – GoldGalv®, unless otherwise stated.

Shield size selection table

Pipe sizes	½	¾	1	1½	2
Installation thickness (in)					
½	1A*	1A	—	—	—
¾	1A	1A	2A	4A	6A
1	1A	2A	3A	5A	7A
1¼	2A	3A	4A	6A	7A
1½	2A	3A	4A	6A	7A
2	3A	4A	5A	7A	8A
2½	4A	5A	6A	7A	8A
3	5A	6A	7A	8A	9A
3½	—	—	8A	9A	10A
4	—	—	8A	9A	10A
5	—	—	9B	10B	11B
6	—	—	10B	11B	12B
8	—	—	—	13C	14C
10	—	—	14C	15C	16C
12	—	—	16C	17C	19C
14	—	—	17C	19C	—

Pipe straps, conduit clamps and hangers

M-117 — Eye socket

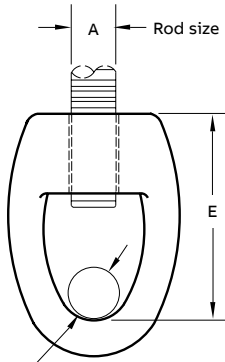
Designed for attaching a rod to split ring type clamps. M-117 is only available in 1/4", 3/8" and 1/2" rod sizes.

Specifications

- Material: Malleable iron
- Compliance: Federal Specification WW-H-171E Type 16, MSS-SP-69 (Type 16)
- Finish: Plain, Copper
- Ordering: Specify rod size and catalog number

M-117 — Eye socket

Cat. No.	Rod size A (in)	Max. load (lbs)	Max. B (lbs)	E (in)	Weight each (lbs)
M-117-1/4	1/4	240	1/4	1 3/8	.08
M-117-3/8	3/8	610	1/4	1 3/8	.08
M-117-1/2	1/2	1,000	1/4	1 9/16	.11
M-117-5/8	5/8	1,400	3/8	1 3/4	.22
M-117-3/4	3/4	2,200	1/2	2 1/4	.30
M-117-7/8	7/8	2,300	1/2	2 7/16	.32



Standard finish – GoldGalv®, unless otherwise stated

Pipe straps, conduit clamps and hangers

Rods and rod attachments & E-151 — Lag rod

Shield size selection table

Cat. No.	Pipe sizes (in)	D	F	1	1D	2
Insulation thickness (inches)						
C-790-1/2	1/2	1A*	1A	—	—	—
C-790-3/4	3/4	1A	1A	2A	4A	6A
C-790-1	1	1A	2A	3A	5A	7A
C-790-1-1/4	1 1/4	2A	3A	4A	6A	7A
C-790-1-1/2	1 1/2	2A	3A	4A	6A	7A
C-790-2	2	3A	4A	5A	7A	8A
C-790-2-1/2	2 1/2	4A	5A	6A	7A	8A
C-790-3	3	5A	6A	7A	8A	9A
C-790-3-1/2	3 1/2	—	—	8A	9A	10A
C-790-4	4	—	—	8A	9A	10A
C-790-5	5	—	—	9B	10B	11B
C-790-6	6	—	—	10B	11B	12B
C-790-8	8	—	—	—	13C	14C
C-790-10	10	—	—	14C	15C	16C
C-790-12	12	—	—	16C	17C	18C
C-790-14	14	—	—	17C	18C	—

*For Unarco foam, specify X1A

Sizes of CL-710 or C-710 clevis

Pipe sizes (in)	1/2	3/4	1	1 1/2	2
For use with shields outside of insulation. Insulation thickness (inches)					
1/2	2	2	—	—	—
3/4	2	2	2 1/2	3 1/2	5
1	2	2 1/2	3	4	5
1 1/4	2 1/2	3	3	5	5
1 1/2	2 1/2	3	3 1/2	5	5
2	3	3 1/2	4	5	6
2 1/2	3 1/2	4	5	5	6
3	4	5	5	6	8
3 1/2	—	—	6	8	8
4	—	—	6	8	8
5	—	—	8	8	10
6	—	—	8	10	10
8	—	—	—	12	12
10	—	—	12	—	—

Designed for a vertical rod connection to wood.

- Ordering: Specify rod diameter, rod length, catalog number and finish

Specifications

- Material: Carbon Steel
- Finish: Standard finish – GoldGalv®, Black (add suffix “-B”), Electro-Galvanized (add suffix “-EG”)

E-151 — Lag rod

Cat. No.	Rod size A (in)	Max. load (lbs)	Min. length (in)		Weight each (lbs)				
			Machine B	Coach C	4 114	6 152	8 203	10 254	12 356
E-151-3/8	3/8	390	2 1/2	2	.12	.19	.25	.31	.37
E-151-1/2	1/2	640	2 1/2	2	.22	.34	.44	.56	.67
E-151-5/8	5/8	750	2 1/2	2 1/2	.35	.53	.70	.87	.59



Standard finish – GoldGalv®, unless otherwise stated

Pipe straps, conduit clamps and hangers

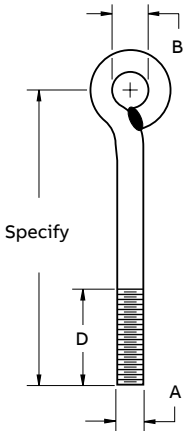
E-157 — Machine thread eye rod

Welded Eyeroads are designed to permit swing in the attachment component due to pipe movement.

Specifications

- Material: Carbon Steel. Larger rod diameters over 2½", special materials and special eye dimensions can be furnished upon request
- Finish: Standard finish – GoldGalv®, Black (add suffix "-B"), Electro-Galvanized (add suffix "-EG")
- Ordering: Specify catalog number, finish, rod size, rod length and thread length if other than standard

E-157 — Machine thread eye rod

	A (in)	B (in)	Thread length D (in)	Load at (lbs) 650° F/343° C	Load at (lbs) 750° F/399° C
	¾	¾	3	610	540
	½	7/8	3	1,130	1,010
	5/8	1	3	1,810	1,610
	¾	1 1/8	3	2,710	2,420
	7/8	1 ¼	4	3,770	3,360
	1	1 3/8	4	4,960	4,420
	1 ¼	1 5/8	4	8,000	7,140
	1 ½	1 7/8	6	11,630	10,370
	1 ¾	2 ½	6	15,700	14,000
	2	2 ¾	6	20,700	18,460
	2 ¼	3	6	27,200	24,260
	2 ½	3 ¼	6	33,500	29,880

Standard finish – GoldGalv®, unless otherwise stated

Pipe straps, conduit clamps and hangers

F-111 — Forged steel clevis

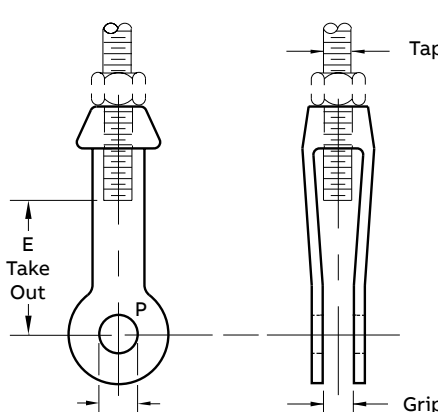
Used to connect rod ends with structural steel welding lug plates or lugs welded to pipe. It provides a pivot point and adjustment. It can be supplied with a pin as F-111.

- Finish: Standard finish – GoldGalv®, Black (add suffix “-B”), Electro-Galvanized (add suffix “-EG”)
- Ordering: Specify catalog number, rod size, pin size, grip “G” and finish

Specifications

- Material: Forged Steel
- Compliance: Federal Specification A-A-1192A Type 14, MSS-SP 69 Type 14 and BSPSS-BS3974

F-111 — Forged steel clevis



Cat. No.	Rod size	Max. load 650° F/343° C	Pin/bolt Dia.	Size No.	P	Weight each (lbs)
F-111-3/8	3/8	610	1/2	2	9/16	.77
F-111-1/2	1/2	1,130	5/8	2	11/16	.77
F-111-5/8	5/8	1,810	3/4	2	13/16	.77
F-111-3/4	3/4	2,710	7/8	2 1/2	1	2.50
F-111-7/8	7/8	3,770	1	2 1/2	1 1/8	2.50
F-111-1	1	4,960	1 1/8	3	1 1/4	4.00
F-111-1-1/4	1 1/4	8,000	1 3/8	3	1 1/2	4.00
F-111-1-1/2	1 1/2	11,630	1 5/8	3 1/2	1 3/4	6.00
F-111-1-3/4	1 3/4	15,700	1 7/8	4	2	8.00
F-111-2	2	20,700	2 1/4	5	2 3/8	16.00
F-111-2-1/4	2 1/4	27,200	2 1/2	6	2 5/8	26.00
F-111-2-1/2	2 1/2	33,500	2 3/4	6	2 7/8	36.00

Standard finish – GoldGalv®, unless otherwise stated.
 Note: Pins and Cotter Pins supplied when requested as Fig. F-111.

Pipe straps, conduit clamps and hangers

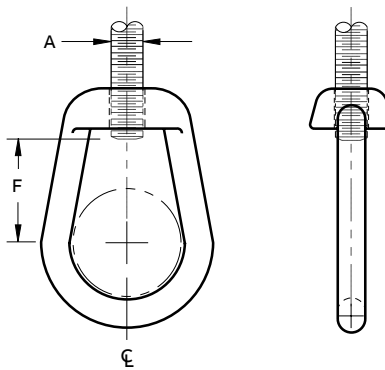
E-120-A — Forged weldless eyenut

Used to connect rod ends with structural steel welded beam attachments or pipe clamps as a substitute for a welded eyerod. It provides a pivot point and adjustment. It can also be supplied tapped left hand as E-120-A.

Specifications

- Material: Forged steel
- Compliance: Federal Specification A-A-1192A Type 14, MSS-SP 69 Type 14 and BSPSS-BS3974
- Finish: Standard finish – GoldGalv®, Black (add suffix “-B”), Electro-Galvanized (add suffix “-EG”)
- Ordering: Specify catalog number, rod size and finish

E-120-A — Forged weldless eyenut

	Cat. No.	Rod tap	Max. load	F	Weight each (lbs)
		A	650° F/343° C		
	E-120-A-3/8	3/8	610	1	.20
	E-120-A-1/2	1/2	1,130	1	.31
	E-120-A-5/8	5/8	1,810	1	.55
	E-120-A-3/4	3/4	2,710	1	1.00
	E-120-A-7/8	7/8	3,770	1 3/8	1.55
	E-120-A-1	1	4,960	1 3/4	2.45
	E-120-A-1-1/4	1 1/4	8,000	1 3/4	3.75
	E-120-A-1-1/2	1 1/2	11,630	1 3/4	6.75
	E-120-A-1-3/4	1 3/4	15,700	3 1/4	16.40
	E-120-A-2	2	20,700	3 1/4	16.75
	E-120-A-2-1/4	2 1/4	27,200	3 1/4	16.75
	E-120-A-2-1/2	2 1/2	33,500	3 1/4	16.75

Standard finish – GoldGalv®, unless otherwise stated.



Surface raceway and lighting systems

Electrical raceway

Series 800 surface raceway and lighting systems

Superstrut® channel together with snap-in closure strip is listed by Underwriters Laboratories as a surface metal raceway. Other accessories listed by Underwriters Laboratories are identified on the drawings.

Electrical applications

Column A

Suitable for number of wires indicated when used as a raceway. Also suitable for number of wires indicated when installed to support and supply electric discharge type fixtures when raceway wiring is suitable for not less than 75°C.

Column B

Suitable for number of wires indicated when used as a raceway. Also suitable for number of wires indicated when installed to support electric discharge type fixtures when clearance of not less than 1/8" is provided between raceway and fixture and when wiring is suitable for 75°C.

GoldGalv® hardware finish is standard for all Superstrut® products. This is a multi-process finish of electro-plated zinc, followed by gold-colored trivalent chromium coating to give excellent corrosion resistance and a superior paint base. See pages 4-5 for a complete description of the GoldGalv® hardware finish. GoldGalv® hardware finish will be furnished if no other finish is specified.

Materials:

Superstrut® electrical raceway, fixture hanging channel, closure strip and accessories are cold formed from hot-rolled strip steel.

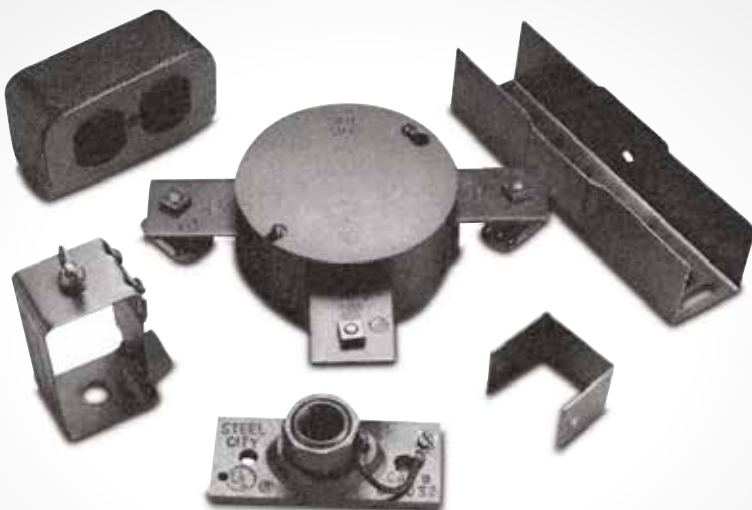
Design data:

Deflections at various hanger rod spacings for raceway channels, based on 40 to 45 lbs. per fixture.

Surface raceway and lighting systems

UL listed channels

A-1200	B-1200
A-1200-KO	B1200AL
A-1200 AL	B-1400
A-1200 PG	C-1200
A-1400	E-1200
A-1400-KO	H-1200
A-1400 SS	





Deflection

Channel	Deflection		
	At 10 ft.	at 12 ft.	At 14 ft.
A-1200	1/4"	1/2"	3/4"
C-1200	3/8"	3/4"	*
A-1400	3/8"	3/4"	*

Channel	Deflection		
	At 6 ft.	at 7 ft.	At 9 ft.
B-1200	3/8"	9/16"	5/8"
B-1400	1"	1/2"	*

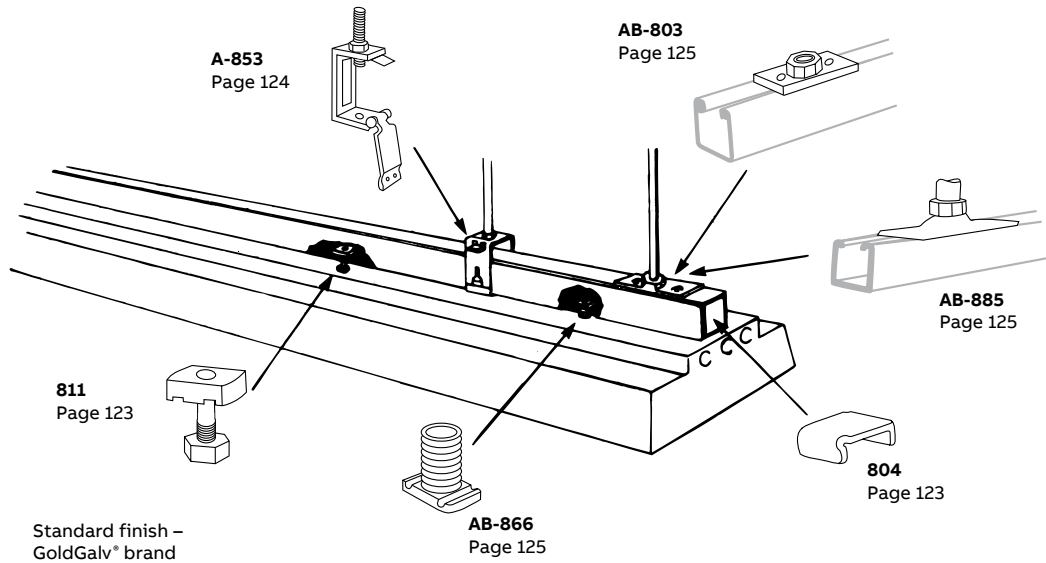
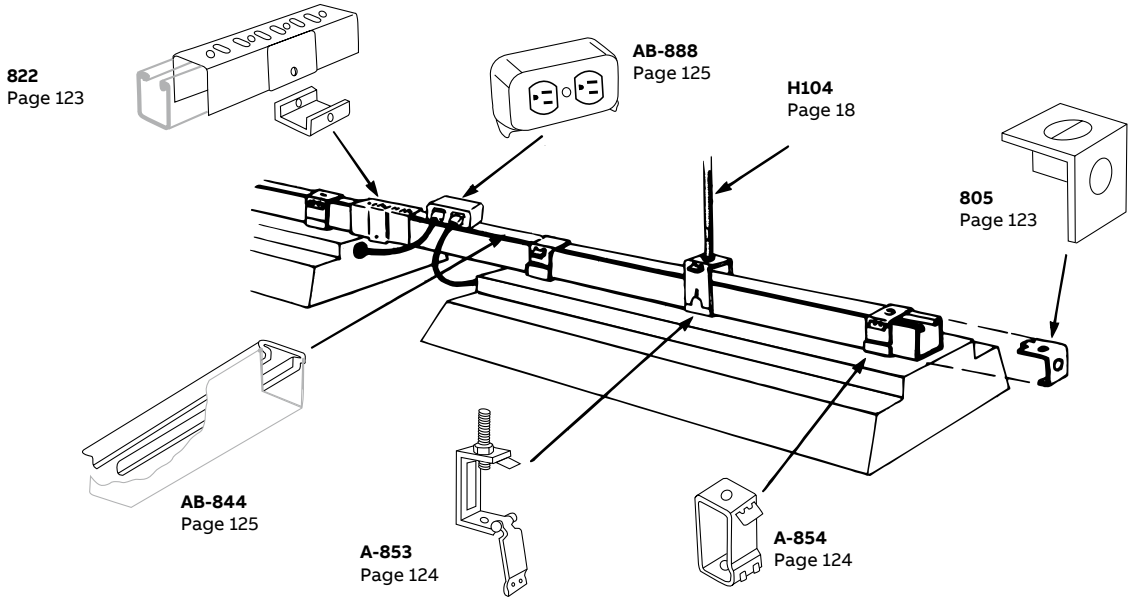
*Not recommended for this spacing

Maximum number of wires

AVG	Raceway with or without KO							
	A-1200 A-1400		B-1200 B-1400		C-1200		E-1200 H-1200	
	A	B	A	B	A	B	A	B
14	6	10	4	6	5	10	6	10
12	6	10	3	6	4	10	6	10
10	5	8	—	—	4	6	5	8
8	4	6	—	—	3	4	4	6
6	2	3	—	—	2	2	2	3

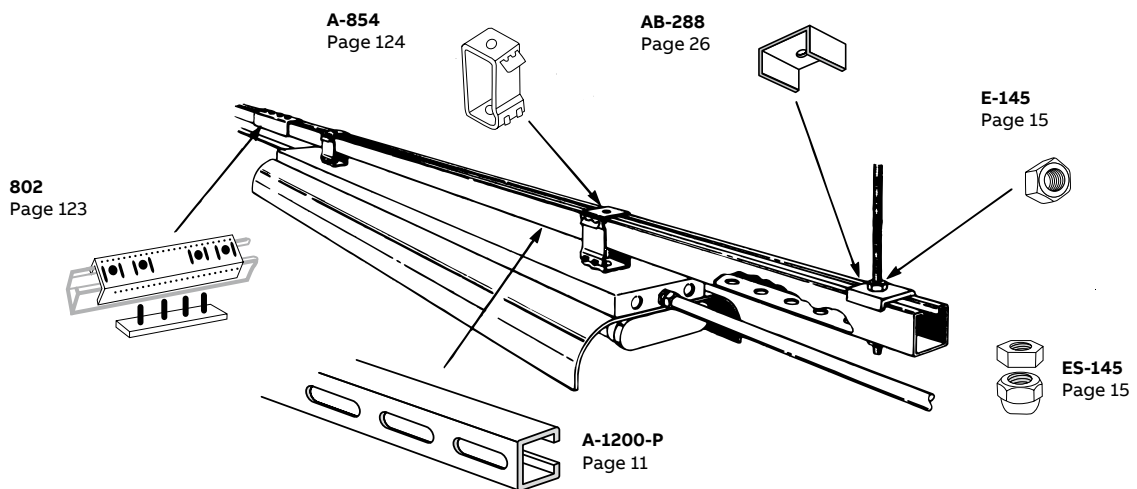
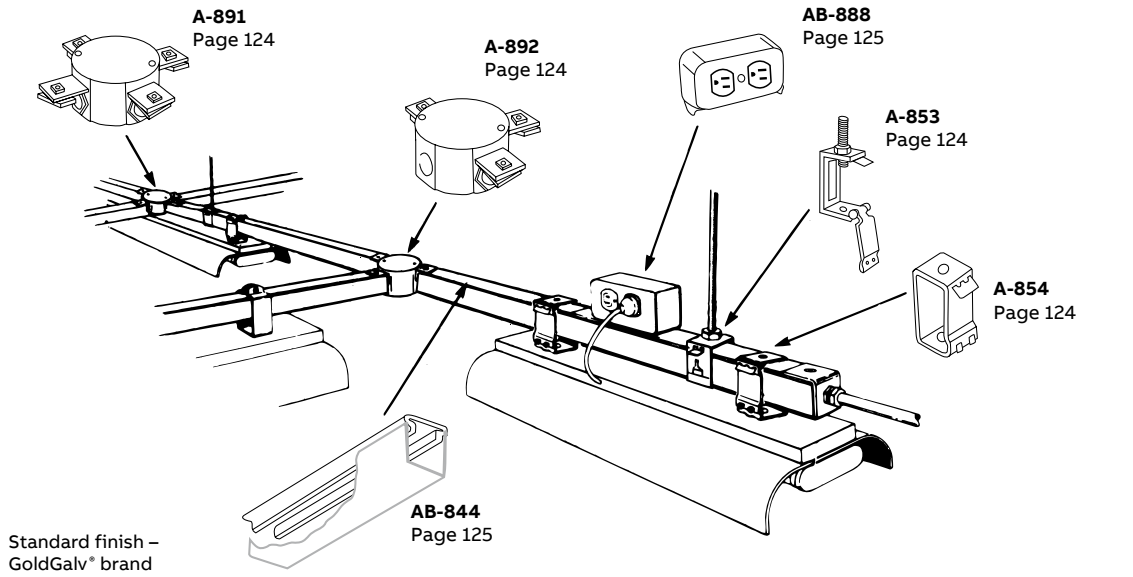
Surface raceway and lighting systems

Electrical applications (continued)



Surface raceway and lighting systems

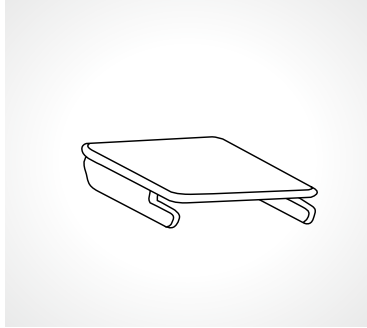
Electrical applications (continued)



Surface raceway and lighting systems

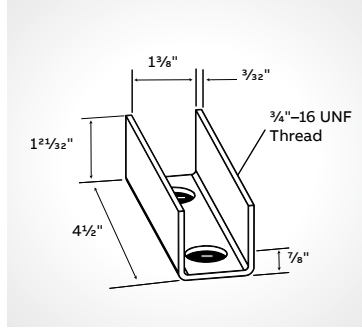
Fixture fittings

—
01 A-243-1
 End cap for
 A-1200 channel



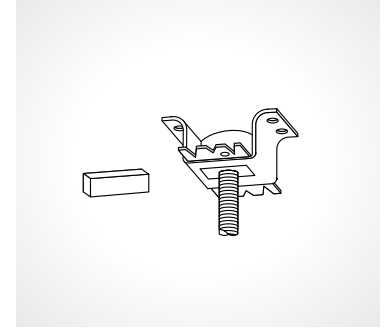
—
 01

—
02 A-213
03 452TB
 Concrete spot insert –
 order nuts separately
 Page 35



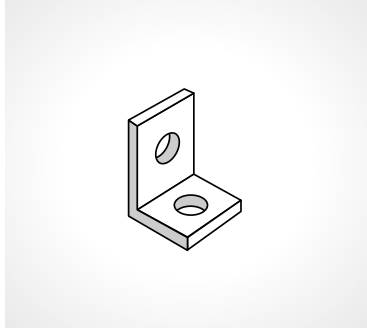
—
 02

—
04 540
 Side beam hanger
 clip
 Page 39



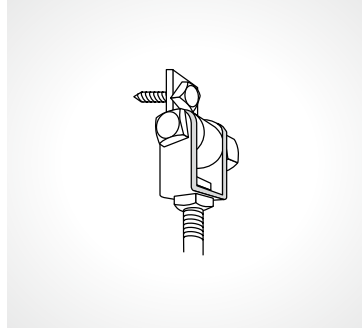
—
 03

—
05 S-541
 Swing connector
 Page 41



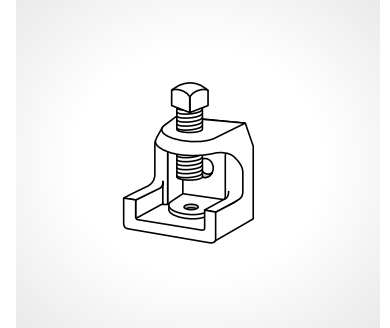
—
 04

—
06 500
 Beam clamp
 Page 39



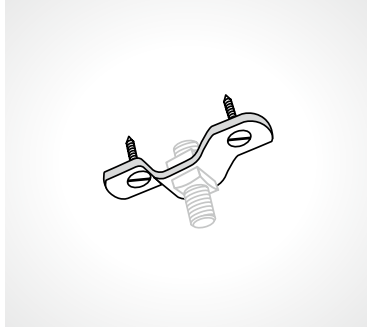
—
 05

—
07 U-579
 Ceiling flange
 Page B-50



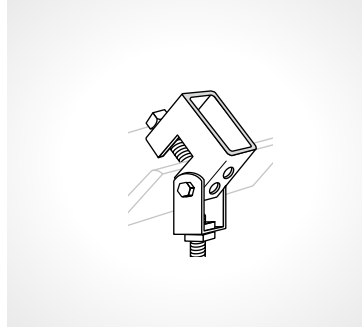
—
 06

—
08 US-563
 Beam clamp
 Page 39

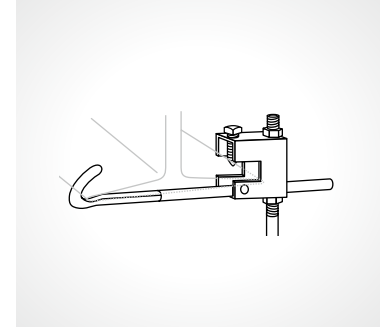


—
 07

—
09 U-569
 Beam clamp with
 safety rod
 Page 43



—
 08

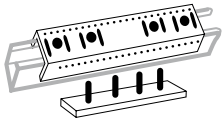


—
 09

Surface raceway and lighting systems

Fixture fittings

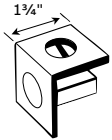
802



Cat. No.	For channel	STD CTN
A802	A Series	25
B-802	B Series	25
E-802	E Series	10
H-802	H Series	10

Raceway joiner with reinforcing plate furnished complete with nuts

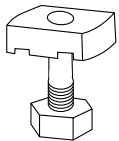
805 – End cap with knockout



Cat. No.	For channel	STD CTN
A-805	A Series	25
H-805	H Series	25

KO for 1/2" conduit. Furnished complete with 1/4" x 5/8" flat head machine screw and AB-100-1/4 nut.

811 – Stud nut



Cat. No.	For channel	STD CTN
811 1-STR	1/4 x 1	50
811-2STR	1/4 x 1 1/4	50

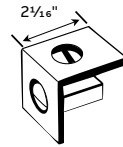
For attaching fixture to slot down channel or to slot up knockouts. Specific length. Hex nut included.

804 – End cap



Cat. No.	For channel	STD CTN
A804	A-1200	25
	A-1400	25
B804	B-1400	25
C-804	C-1200	25
E-804	E-1200	25
H-804	H-1200	25

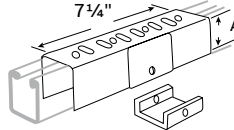
809 – Tapped end cap



Cat. No.	For channel	STD CTN
A-809	A Series	25
H-809	H Series	25

12 ga for 3/4" or 1" conduit. Furnished complete with 1/4" x 5/8" flat head machine screw and AB-100-1/4 nut.

822 – Raceway joiner & seal



Cat. No.	A (in)	For channel	STD CTN
A822*	1 1/16	A Series	25
B-822*	7/8	B Series	25
C-822*	1 1/16	C Series	25

Surface raceway and lighting systems

Fixture fittings

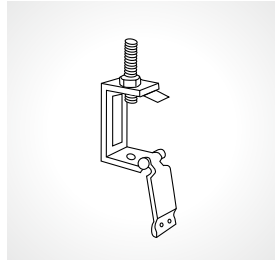
—
01 A853
 Channel hanger
 Use hanger rod $\frac{3}{8}$ " or $\frac{1}{2}$ ".
 Use with "A", "B" or "C"
 series single channel.

—
02 A853L
 Channel hanger
 Long type for all
 series channel.

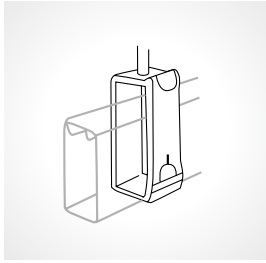
—
03 A854
 Channel hanger
 Illustration showing
 A-854 with nut and bolt
 furnished to attach to
 fluorescent fixture.
 Use with "A", "B" or "C"
 series channel.

—
04 A854L
 Channel hanger
 Long illustration
 showing A-854-L with
 nut and bolt furnished
 to attach to fluorescent
 fixture. Long type for
 all series channel.

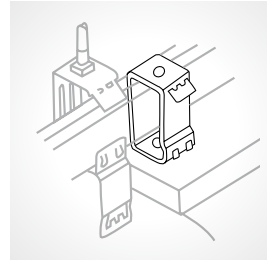
Channel hangers



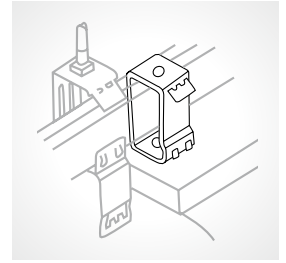
—
01



—
02



—
03



—
04

—
01 A889*

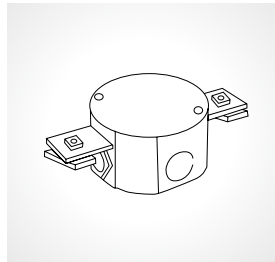
—
02 A890*

—
03 A891*

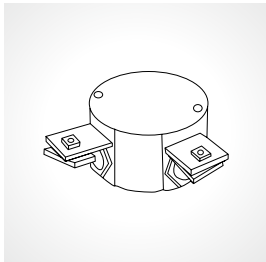
—
04 A892*

—
05 A893

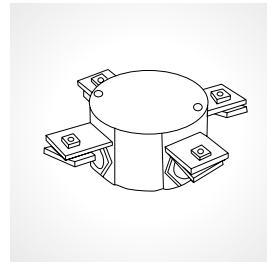
End caps



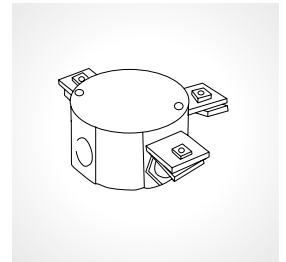
—
01



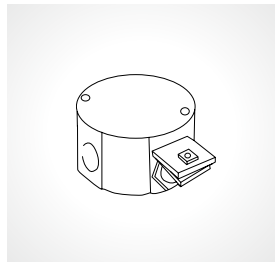
—
02



—
03



—
04

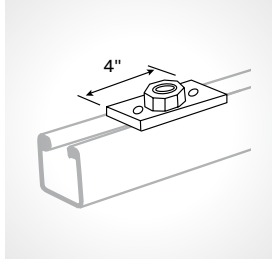


—
05

Surface raceway and lighting systems

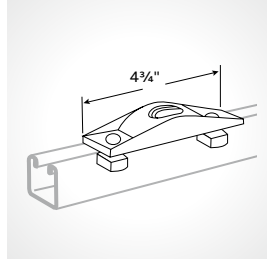
Fixture fittings

—
01 AB803*
 Cast conduit connector
 To connect ½" or ¾" conduit to raceway channel — Furnished complete with stud nuts & hex nuts. Part has removable bushing to increase size from ½" to ¾".

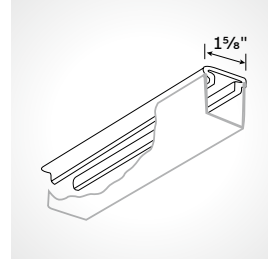


—
01

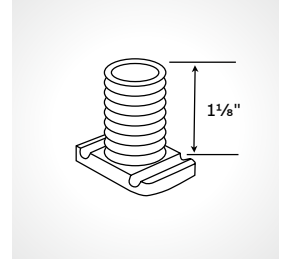
—
02 AB815
 Swing connector
 Nuts & bolts to clamp to channel included. For ½" or ¾" conduit.



—
02

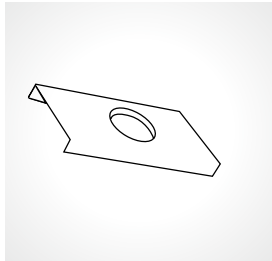


—
03

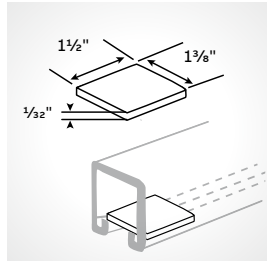


—
04

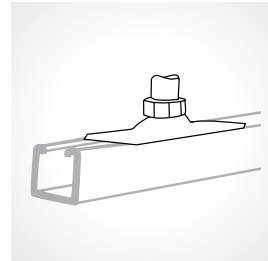
—
03 AB-844*
 Steel closure strip
AB-844-PC*
 Plastic closure strip.
 When used as a raceway channel, it is normally installed with the slot up and after wiring is complete, the closure strip is installed. For all channels. Standard lengths 10 ft.



—
05



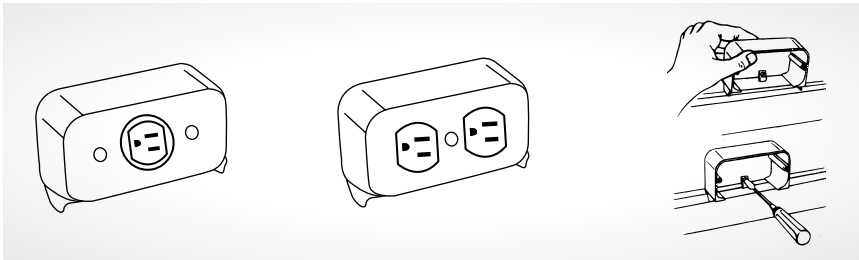
—
06



—
07

—
04 AB-866
 ½" Pipe thread

—
05 AB867*
 Spacer clevis
 For use with AB-866 wiring stud nuts.



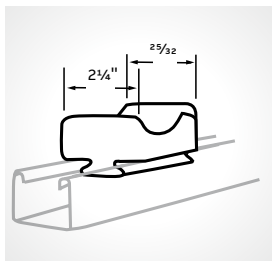
—
08

—
09

—
06 AB868
 Fiber retainer for cables until closure strip is installed.

—
07 AB885
 15° swivel nuts and bolts to clamp to channel included. For ½" or ¾" conduit.

—
08 AB887*
 Single outlet
 Complete unit including housing, standard SINGLE 3-wire, 15 Amp, 125 Volt, NEMA ground receptacle and cover plate.



—
10

—
09 AB888*
 Duplex outlet
 Complete unit including housing, standard DUPLEX 3-wire, 15 Amp, 125 Volt, NEMA ground receptacle and cover plate.

—
10 AB-880 / AB-881
 3" and 4" porcelain saddles

—
AB-880 & AB-881

Cat. No.	Max. cable diameter	STD
	(in)	CTN
AB-880	3	3
AB-881	4	4½

Slotted angle metal framing

Superangle slotted angle metal framing

With Superangle, you get flexibility — simplicity — economy!

Create the support framing you need.

Superangle is manufactured from structural-quality steel in three different sizes. The small sizes are 14 ga. steel, the larger size is 12 ga. steel. With this offering, an endless variety of metal framing requirements can be met, from lightweight supporting needs to larger shelving needs such as inventory storage.

One of the legs on all sizes is 1 $\frac{5}{8}$ " wide, while the other is either 1 $\frac{5}{8}$ ", 2 $\frac{3}{8}$ " or 3 $\frac{1}{8}$ " long. Depending on the frame requirements, a single size can be utilized throughout, or the sizes can be interchanged to get the most efficient usage from the material.

Installation time is reduced — inventory space is minimal.

Scribe marks are placed every $\frac{3}{4}$ ", which saves planning, layout and cutting time and provides accuracy. The exclusive slot and hole pattern, repeated every 3", is scientifically designed for ease of assembly. The proper nuts and bolts are included with the material to ensure fast and easy erection.

Superangle Metal Framing is packaged in 10' and 12' lengths to minimize cutoffs and ensure maximum use of material.

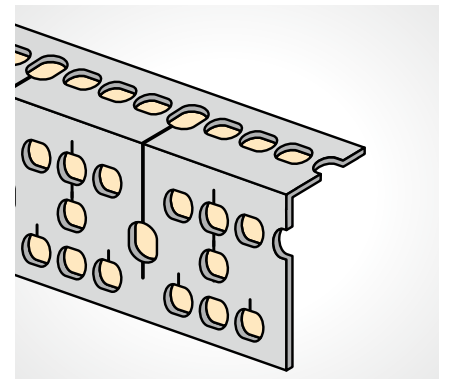
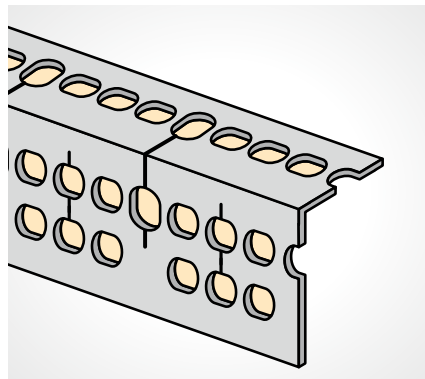
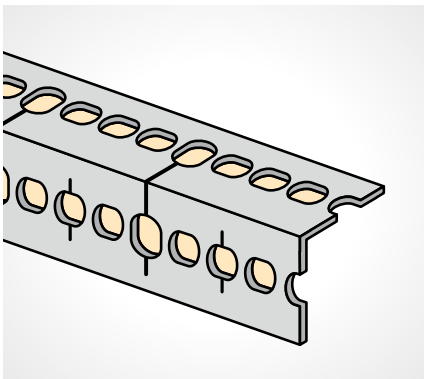
10', 12' lengths of Superangle take up the same amount of space as one 2 x 4. A standard package includes five pieces to a bundle, therefore handling and storage space are significantly reduced.

The importance of cutting Superangle easily, quickly and accurately is the key to time-saving assembly. The portable cutter provides these advantages and makes layout and erection of any structure a light-work job.

Finish is designed for long lasting durability.

The standard GoldGalv® hardware finish is applied to all Superangle products after rolling and punching of the holes. This provides you with a number of benefits. First, raw ends resulting from cuts will be protected by the sacrificial quality of zinc. Second, the edges of all holes are protected against formation of rust, to provide a call-back free installation. Third, the electro-galvanizing process provides an excellent bonding surface for paint if desired for aesthetic reasons.

Note: Product is also available with Pre-Galvanized (PG) sections



Slotted angle metal framing

Superangle slotted angle metal framing (continued) & Superangle accessories

Superangle slotted angle metal framing

Cat. No.	Length (ft)	Ft per PKG	STD CTN
RA-160-10	10	50	1,000
RA-160-12	12	60	1,200
RA-225-10	10	50	1,000
RA-225-12	12	60	1,200
RA 300 10	10	50	1,000
RA-300-12	12	60	1,200

5 lengths, 36 nuts and bolts

Superangle accessories — Casters

Cat. No.	STD PKG	STD CTN
RA RC	2	2
RA SC	2	2

Rigid & swivel casters - Hard rubber composition 3½" dia. with load rating of 225 lbs. per wheel.

Superangle accessories — Portable cutter

Cat. No.	STD PKG	STD CTN
RA C	1	1

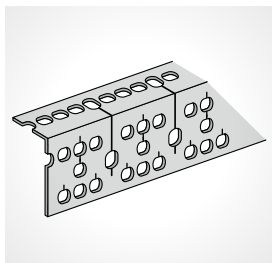
Superangle accessories — Gusset plate

Cat. No.	STD PKG	STD CTN
RA GP	25	100

Superangle accessories — Extra nuts and bolts

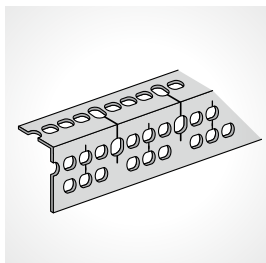
Cat. No.	Package 100 sets	STD CTN
RA BN 5/8 Use with RA-160 & RA-225	¾"-16 x 5/8" lg.	100
RA BN 3/4 Use with RA-300	¾"-16 x ¾" lg.	100

01 **RA-300**
Slotted angle metal framing
12 Gauge
3½" x 1½"



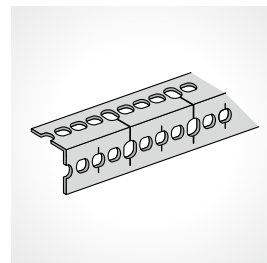
01

02 **RA-225**
Slotted angle metal framing
14 Gauge
2½" x 1½"



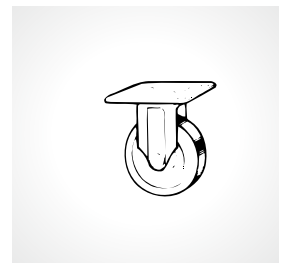
02

03 **RA-160**
Slotted angle metal framing
14 Gauge
1½" x 1½"



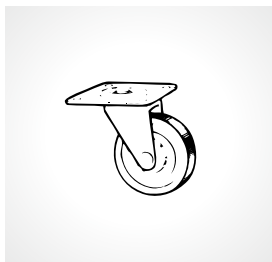
03

04 **RA-RC**
Rigid center caster



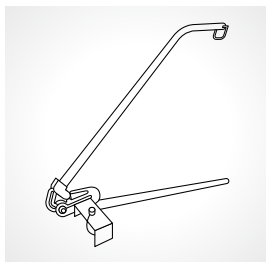
04

05 **RA-SC**
Swivel caster



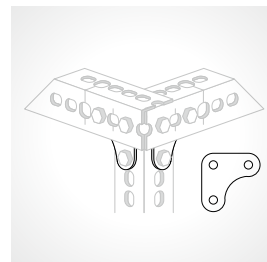
05

06 **RA-C**
Portable cutter



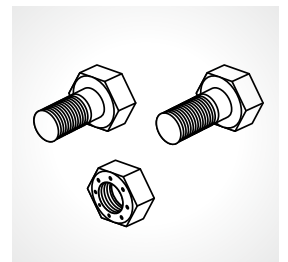
06

07 **RA-GP**
Gusset plate for extra-rigid assembly



07

08 Extra nuts and bolts



08

Special metals and finishes

Properties for design — Stainless steel

(Suffix SS/Type 304 and 6SS/Type 316)

Superstrut® stainless steel products are made from high-quality austenitic Type 304 and Type 316 material. Stainless steel contains large amounts of chromium and nickel, is non magnetic and offers superior corrosion resistance. Tolerant to high-temperature environments, Superstrut's stainless steel framing provides dependable support, resulting in reduced maintenance cost. The channel is roll-formed to shape when cold, enhancing its structural strength for the most rigid of applications.

Stainless steel channel

Elements of sections are the same as shown on pages 141-151 for standard steel channel. Load ratings meet or exceed ratings for standard steel channel shown elsewhere in this catalog.

Additional stainless steel and aluminum items are available. Contact your local Superstrut® representative.



Properties for design aluminum channel (suffix AL)

Span (in): 12, 18, 24, 30, 36, 42, 48, 54, 60, 72, 84, 96, 108 & 120.

12 ga. = .105"

I — Moment of Inertia

S — Section of Modulus

r — Radius of Gyration

A — Area

Specifications

- Alloy and Temper: 6063-T6
- Tensile Strength: Yield — 25,000 PSI Ultimate — 30,000 PSI
- Shear — Ultimate: 19,000 PSI
- Elongation: (Percent in 2 inches) -12
- Density: .098 Lbs./Cu. Inch
- Modules of Elasticity: 10 x 10⁶ PSI

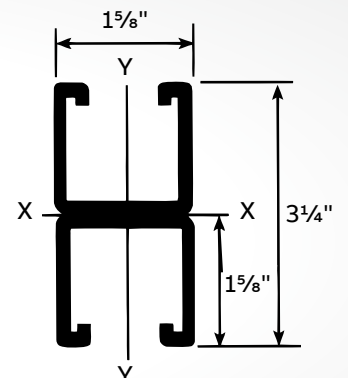
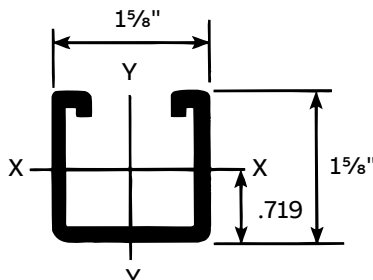
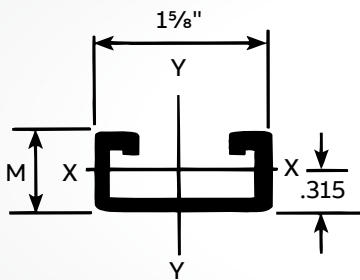
Calculations based on maximum fiber stress of 10,000 psi, maximum 1/360th span deflection. For concentrated loads, multiply load by 0.50.

???

Section member	X - X axis				Y - Y axis			
	A in. ²	I in. ⁴	S in. ³	R in.	I in. ⁴	S in. ³	R in.	
A-1200	.563	.198	.224	.594	.274	.338	.698	
B-1200	.400	.041	.082	.320	.150	.185	.612	
A-1202	1.126	1.001	.620	.942	.548	.676	.698	

Safe uniform total load table (X-X axis)

Span (in)	B-1200-AL (lbs)	A-1200-AL (lbs)	A-1202-AL (lbs)
12	540	1,490	4,130
18	270	990	2,760
24	150	730	2,070
30	90	470	1,650
36	60	320	1,370
42	50	240	1,180
48	—	180	930
54	—	140	730
60	—	110	590
72	—	80	410
84	—	60	300
96	—	40	230
108	—	30	180
120	—	20	140



Special metals and finishes

Aluminum products (AL suffix)

—
01 **A-1200_AL**
1½" deep channel
and combination

—
02 **B-1200_AL**

—
03 **A-1202_AL**

—
04 **A-1202-C_AL**

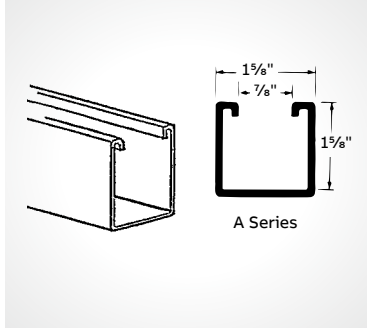
—
05 **A-1200-HS_AL**
Slots 2" on center.
Slot size ¼" x 1½"

—
06 **X201_AL**

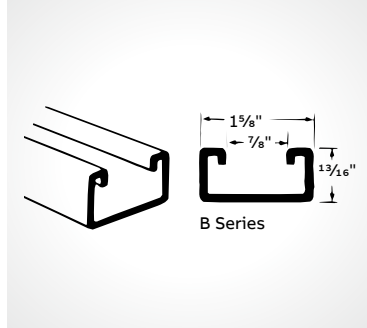
—
07 **B-1202_AL**

—
08 **702_AL**
Rigid conduit pipe strap

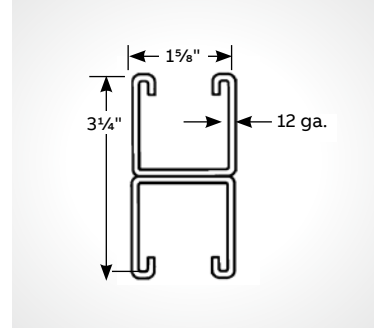
—
09 **AB201_AL**



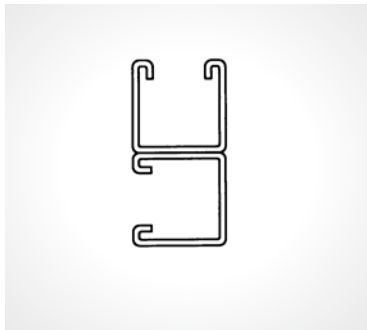
—
01



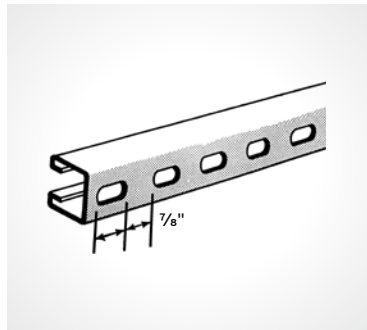
—
02



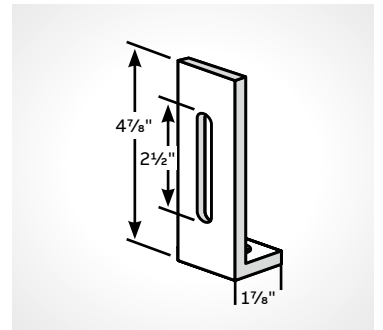
—
03



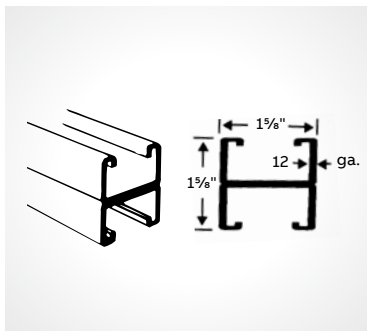
—
04



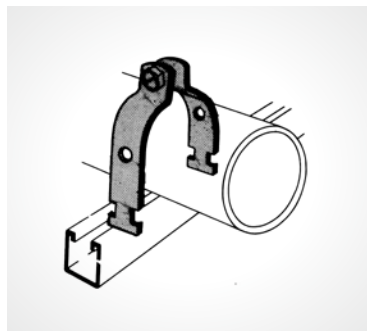
—
05



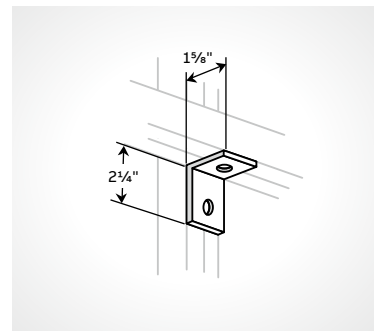
—
06



—
07



—
08



—
09

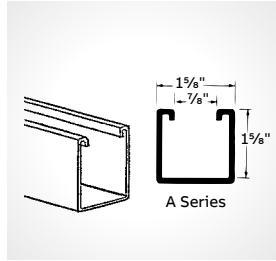
Special metals and finishes

Stainless steel products

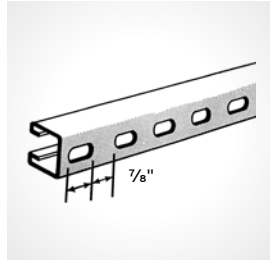
- 01 **A-1200_SS**
A-1200_T316SS
- 02 **A-1200-HS_SS**
A-1200_HS_T316SS
- 03 **A-1202_SS**
A-1202-T316SS
- 04 **A-1202-HS_SS**
A-1202-HS_T316SS
- 05 12 gauge:
B-1200_SS
B-1200_T316SS
- 14 gauge:
B-1400_SS
B-1400_T316SS

Available in:

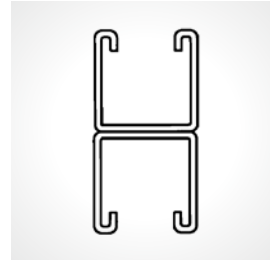
- Type 304 Stainless Steel — SS Suffix
- Type 316 Stainless Steel — SS6 Suffix



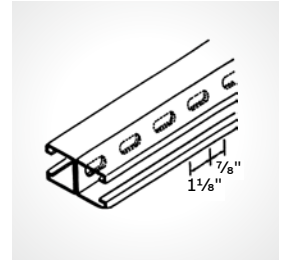
01



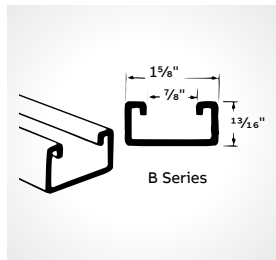
02



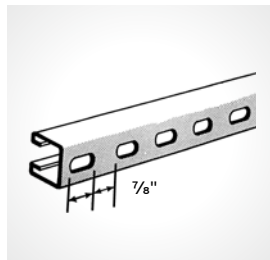
03



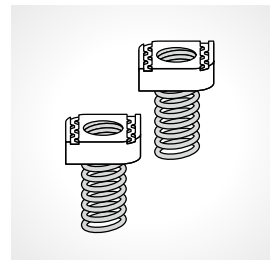
04



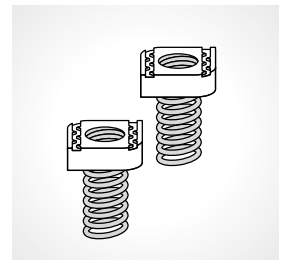
05



06

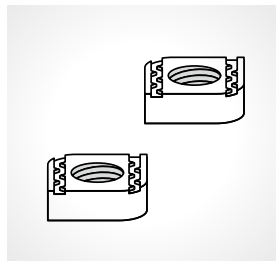


07

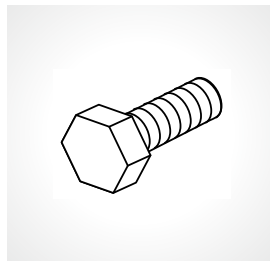


08

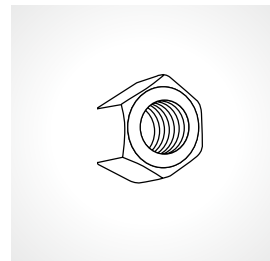
- 06 **B-1400-HS_SS**
B-1400-HS_T316SS
- 07 **A-100**
Regular spring nut
- 08 **B-100**
Short spring nut
- 09 **AB-100**
Springless nut
- 10 **E-142**
Hex head cap screw
- 11 **E-145**
Standard hex nut
- 12 **EF-147**
Fender washer
- 13 **E-147**
Flat steel washer
- 14 **AB-241**
Square washer



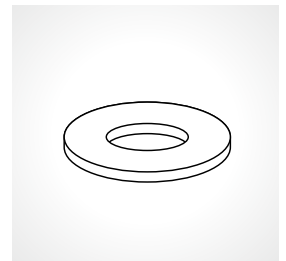
09



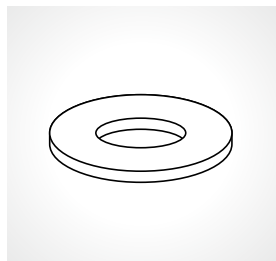
10



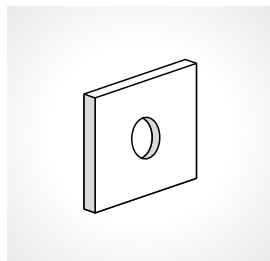
11



12



13



14

— **AB-241 Square Washer**

Cat. No.	Rod size (in)	STD CTN
AB-241-1/4	1/4	100
AB-241-3/8	3/8	100
AB-241-1/2	1/2	100

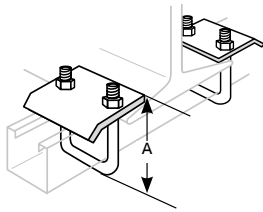
Special metals and finishes

Stainless steel products (continued)

Available in:

- Type 304 Stainless Steel — SS Suffix
- Type 316 Stainless Steel — SS6 Suffix

U501, U502

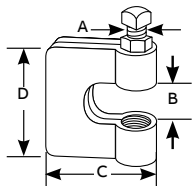


Cat. No.	For channel	A (in)	STD CTN
U501	A-1200 A-1400	3 ³ / ₁₆	20
	B-1200 B-1400		
	C-1200 B-1402		
U502	A-1202 A-1402	4 ¹³ / ₁₆	20
	C-1202 H-1200		

Furnished complete

Design load U501 — 2150 lbs.
U502 — 3000 lbs.

C-775L — Clamp with lock nut



Cat. No.	Rod size (in)	Dimensions (in)				Design load (lbs)	STD CTN
		A	B	C	D		
C-775L	3/8	3/8	3/4	2 ³ / ₈	2 ³ / ₈	400	100
	1/2	2 ³ / ₈	2 ⁵ / ₁₆	2 ⁵ / ₁₆	2 ³ / ₈	500	100

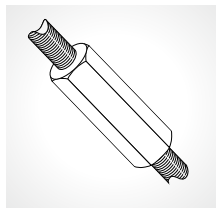
01 H-119
Rod coupling

02 AB201

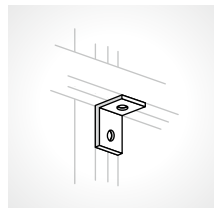
03 AB205

04 702
Pipe and rigid or
IMC conduit clamp

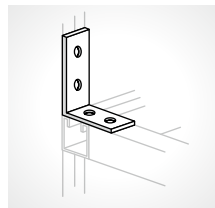
05 701 Series



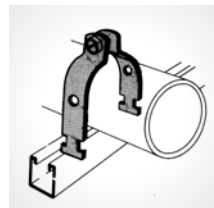
01



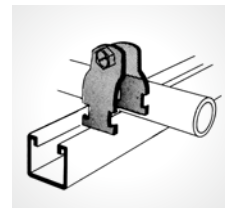
02



03



04



05

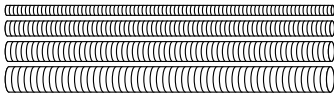
Special metals and finishes

Stainless steel products (continued)

Available in:


- Type 304 Stainless Steel — SS Suffix
- Type 316 Stainless Steel — SS6 Suffix

H-104

National coarse thread					
	Cat. No.	Size (in)	Threads per inch	Design load (lbs)	STD CTN
	H-104-1-1/4	1 1/4	20	150	500
	H-104-3/8	3/8	16	610	500
	H-104-1/2	1/2	13	1,130	500
	H-104-5/8	5/8	11	1,810	500
	H-104-3/4	3/4	10	2,710	500
	H-104-7/8	7/8	9	3,770	500
	H-104-1	1	8	4,960	500

Hanger rod. Continuous threaded.
Standard lengths 12' only

Cobra® clamp

	Cat. No.	For EMT and rigid conduit trade size (in)	Cable O.D. range (in)	Static load limit (lb) safety factor = 4	STD CTN
	316 stainless steel				
	CPC050SS6	1/2	.650–.890	200	100
	CPC075SS6	3/4	.860–1.110	200	100
	CPC100SS6	1	1.100–1.400	200	100
	CPC125SS6	1 1/4	1.400–1.725	200	50
	CPC150SS6	1 1/2	1.690–1.980	200	50
	CPC200SS6	2	1.980–2.576	200	50
	CPC250SS6	2 1/2	2.576–3.060	350	25
	CPC300SS6	3	3.060–3.626	350	25
	CPC350SS6	3 1/2	3.626–4.126	350	25
	CPC400SS6	4	4.126–4.626	350	25

Special metals and finishes

Type 304 stainless steel products (SS suffix)

01 6H Series & 6H-B Series
Conduit and pipe hanger

02 X201

03 AB202

04 AB203

05 AB204

06 AB206

07 AB207

08 X207

09 AB213

10 AB214

11 AB219

12 AW219

13 AB220

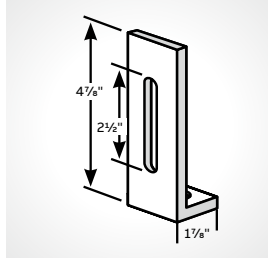
14 AB225

15 SPAB-227

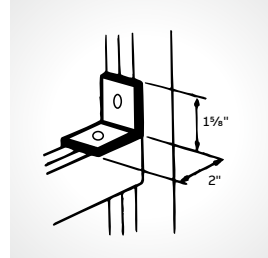
16 AP-232



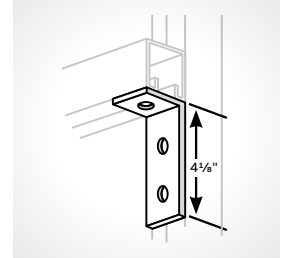
01



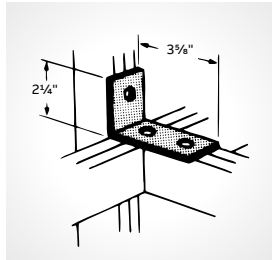
02



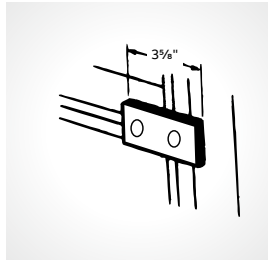
03



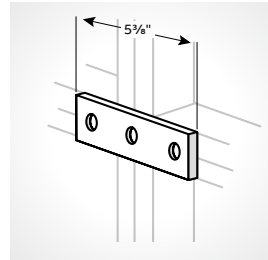
04



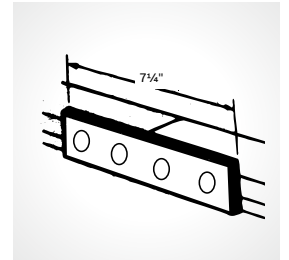
05



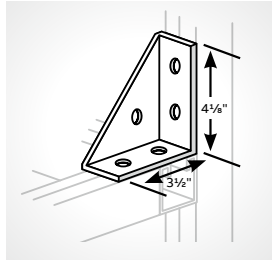
06



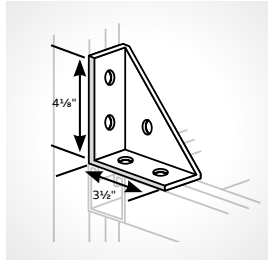
07



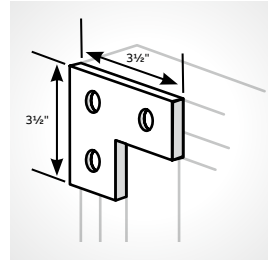
08



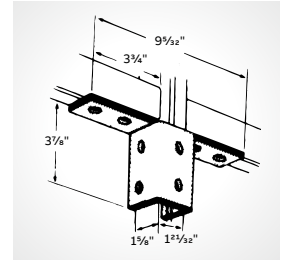
09



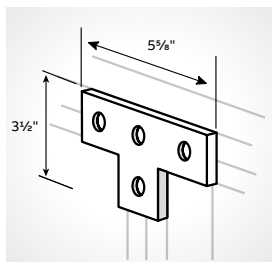
10



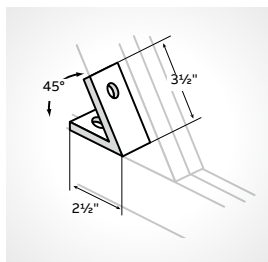
11



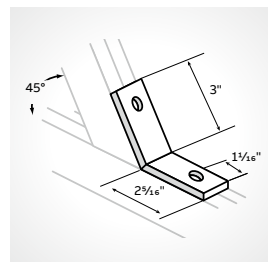
12



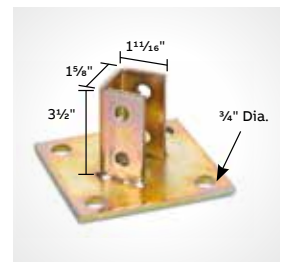
13



14



15

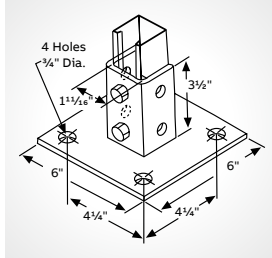


16

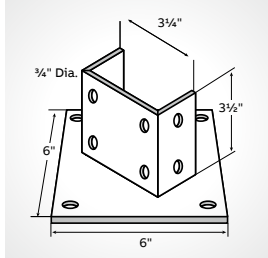
Special metals and finishes

Type 304 stainless steel products (SS suffix) (continued)

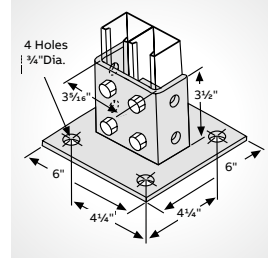
- 17 AP-232SQ
 - 18 AP-235 AP-235
 - 19 AP-235SQ
 - 20 S-250
- A is in lengths: 6, 12, 18 & 24.
 May be installed inverted with no change in load ratings. Strut section made from half slot channel.



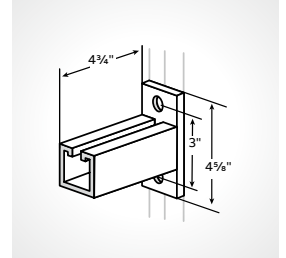
— 17



— 18

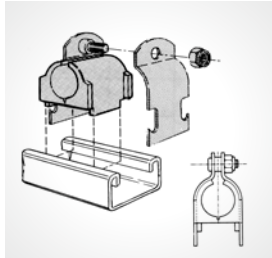


— 19

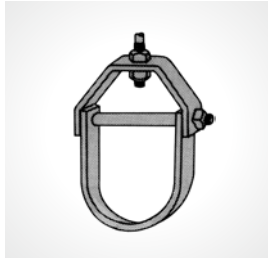


— 20

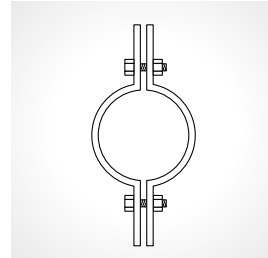
- 21 A-716
 - 22 C-710 Series
 - 23 C-720
 - 24 C-725
 - 25 C-727
- Cushioned clamp tube series
 Standard clevis
 Standard ring hanger



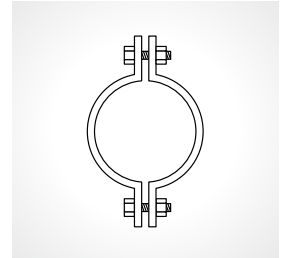
— 21



— 22



— 23



— 24

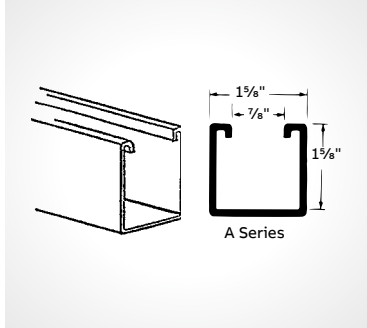


— 25

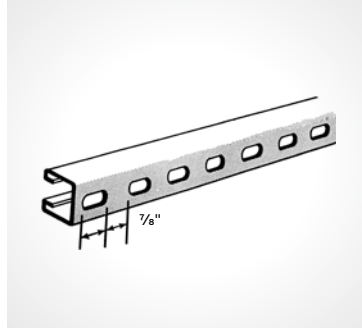
Special metals and finishes

White painted products (WH suffix)

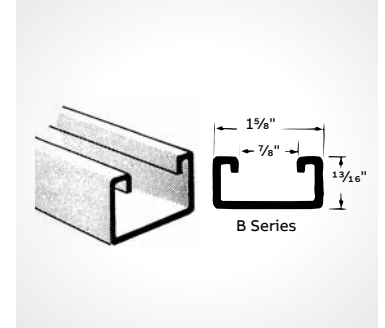
- 01 A-1200
- 02 A-1200-HS
- 03 B-1400
- 04 B-1400-HS
- 05 A-1202
- 06 A-1202-HS
- 07 AB201
- 08 X201
- 09 AB219
- 10 AB203
- 11 AB204
- 12 AW205



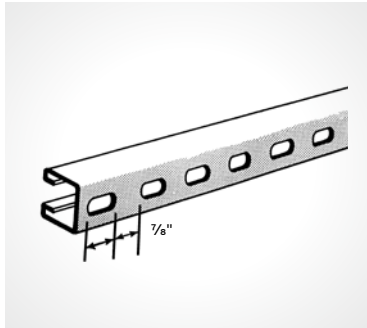
01



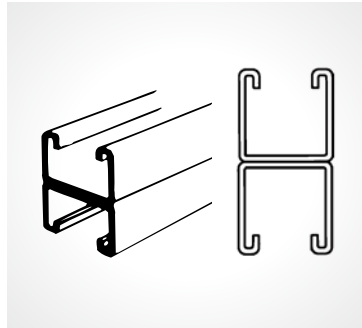
02



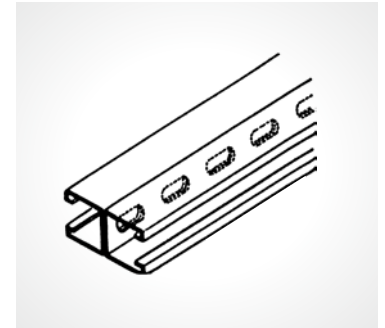
03



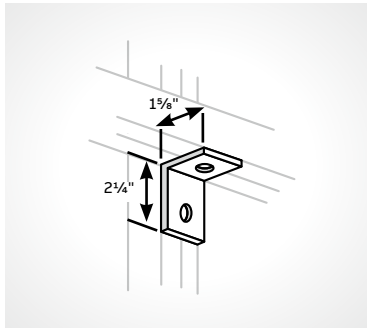
04



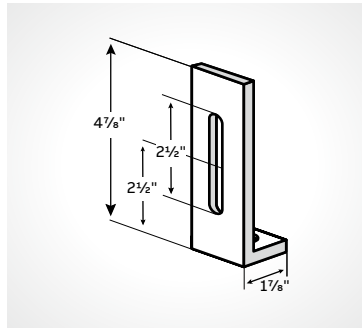
05



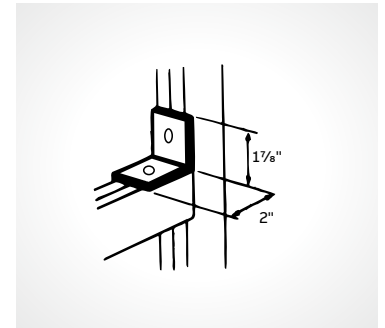
06



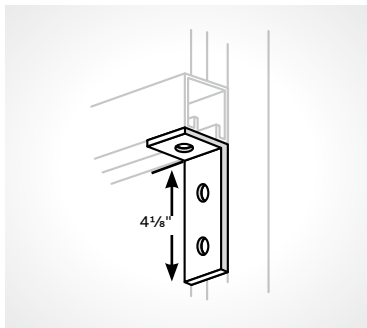
07



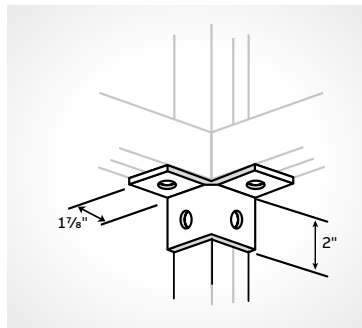
08



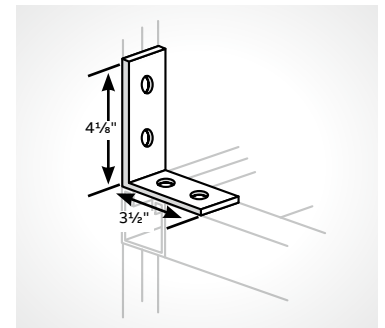
09



10



11

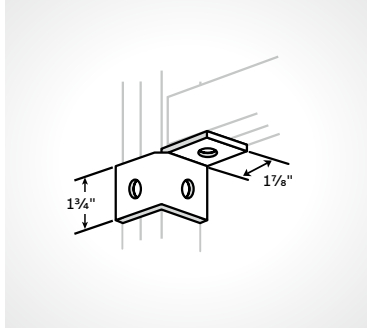


12

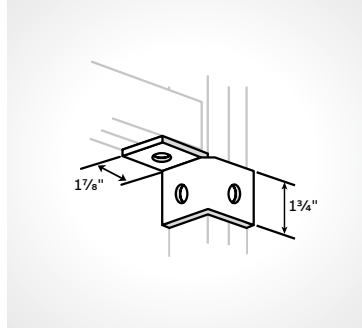
Special metals and finishes

White painted products (WH suffix) (continued)

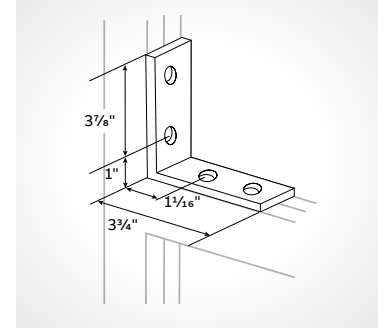
- 13 AW205 L
- 14 AW-205-R
- 13 N-205
- 14 AB-206
- 15 AB-207
- 16 X-207
- 17 A210
For attaching A Series channel
- 18 A218
- 19 A219
- 20 N-219
- 21 AB-220
- 22 AB-227-WH



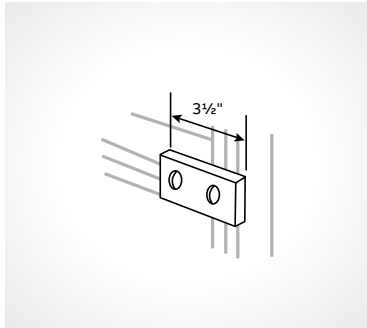
13



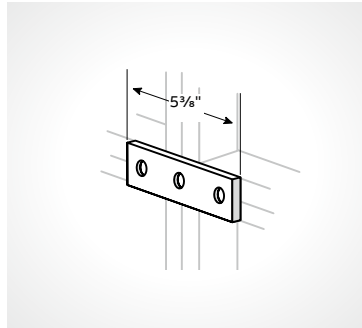
14



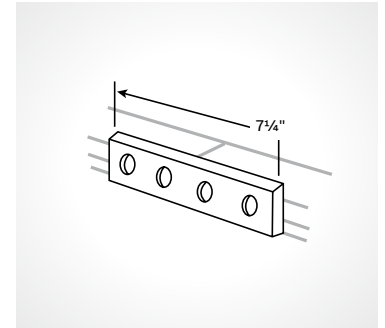
15



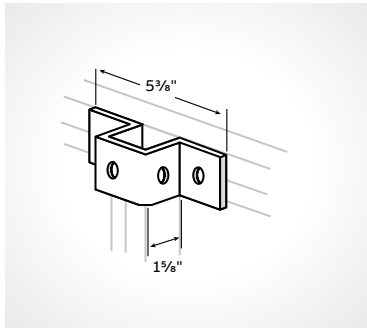
16



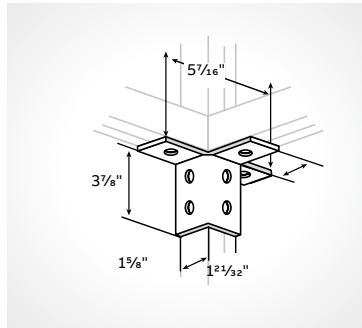
17



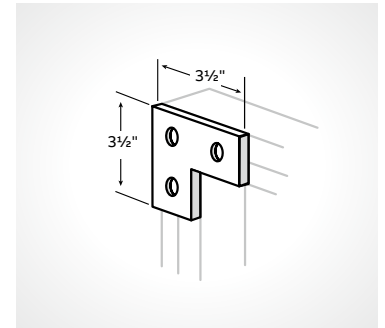
18



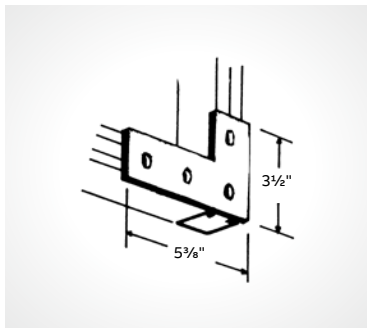
19



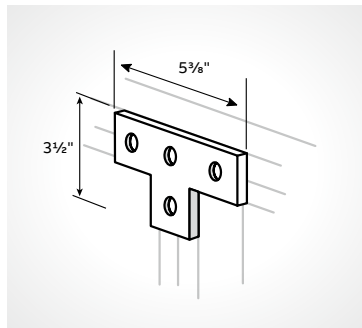
20



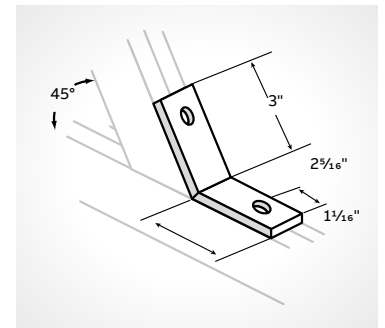
21



22



23



24

Special metals and finishes

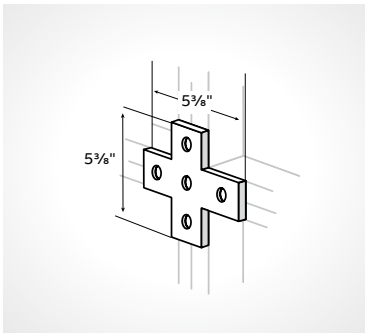
White painted products (WH suffix) (continued)

- 01 **AB253**
- 02 **AP-232**
- 03 **AP-232SQ**
- 04 **AP-235**
- 05 **AP-235SQ**
- 06 **A804 NEOP WH**
1½" x 1⅝"
White plastisol
end-cap
- 07 **B 804 NEOP WH**
1⅝" x 1⅝"
White end-cap
- 08 **H804 NEOP WH**
1⅝" x 3¼"
White plastisol
end-cap
- 09 **SPAB-844-PC**
— **White**
White closure strip
for all channels

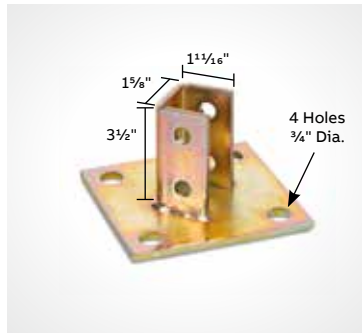


— **AB-241 Square Washer**

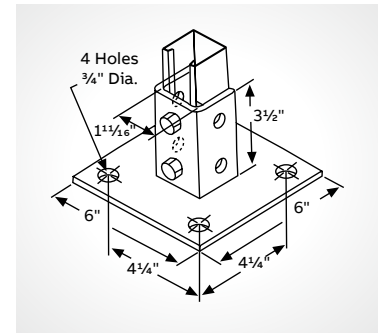
Cat. No.	Rod size (in)	STD CTN
AB-241-1/4	¼	100
AB-241-3/8	⅜	100
AB-241-1/2	½	100



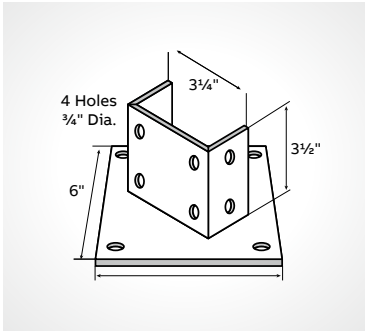
— 01



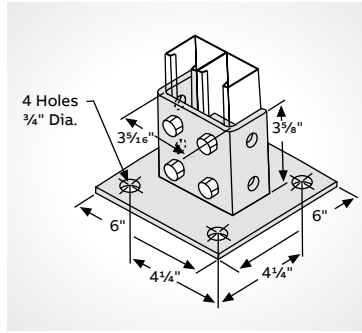
— 02



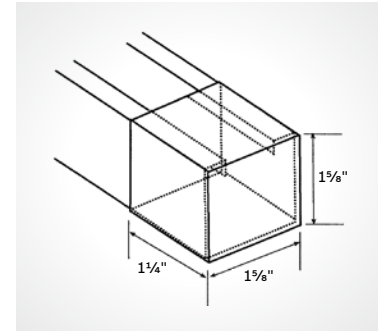
— 03



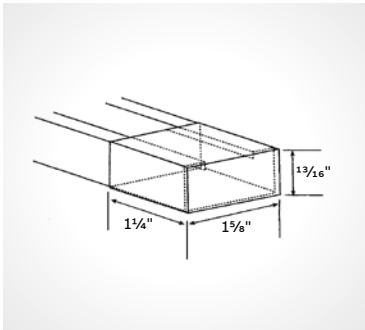
— 04



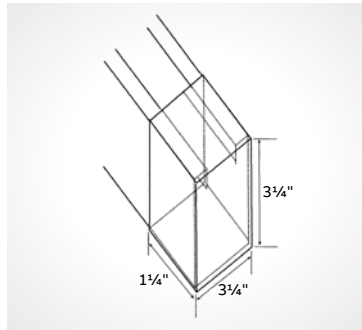
— 05



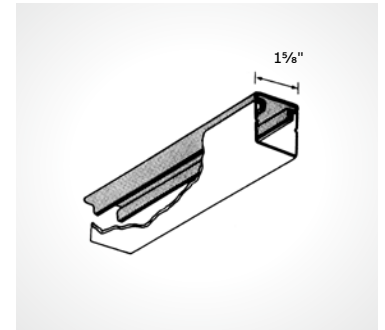
— 06



— 07



— 08

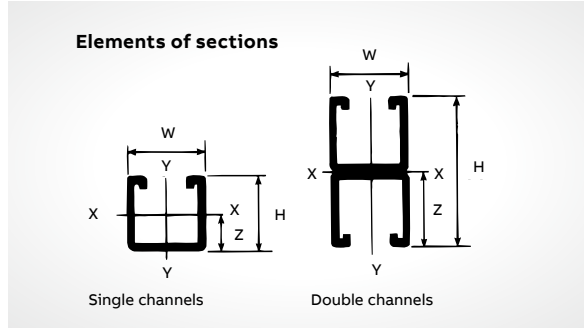


— 09



Technical information

Design data — Metal framing channel



Metal framing channel

Nominal thickness (in)

12 ga. = .105	I	Moment of Inertia
14 ga. = .075	S	Section of Modulus
16 ga. = .060	r	Radius of Gyration
	Z	Nominal Axis
	A	Area

Table 1 — Properties for design: Single channel

Cat. no.	H in.	W in.	A in. ²	I in. ⁴	S in. ³	r in.	X-X AXIS		Y-Y AXIS	
							Z in.	I in. ⁴	S in. ³	r in.
A-1200	1.625	1.625	.557	.192	.212	.587	.719	.237	.292	.652
B-1200	.813	1.625	.381	.031	.063	.283	.331	.137	.168	.600
C-1200	1.375	1.625	.500	.121	.155	.492	.595	.205	.252	.640
E-1200	2.438	1.625	.726	.529	.399	.853	1.112	.335	.413	.679
H-1200	3.250	1.625	.897	1.100	.635	1.107	1.507	.436	.536	.697
A-1400	1.625	1.625	.401	.134	.146	.577	.707	.184	.226	.677
B-1400	.813	1.625	.280	.024	.051	.295	.338	.103	.127	.607

Table 1 — Properties for design: Double channel

Cat. no.	H in.	W in.	A in. ²	I in. ⁴	S in. ³	r in.	X-X AXIS		Y-Y AXIS	
							Z in.	I in. ⁴	S in. ³	r in.
A-1202	3.250	1.625	1.114	.948	.583	.992	1.625	.474	.584	.652
B-1202	1.626	1.625	.762	.147	.181	.439	.813	.274	.337	.600
C-1202	2.750	1.625	1.000	.595	.433	.772	1.375	.409	.504	.640
E-1202	4.876	1.625	1.450	2.854	1.171	1.402	2.438	.672	.827	.680
H-1202	6.500	1.625	1.794	6.273	1.930	1.870	3.250	.871	1.072	.697
A-1402	3.250	1.625	.801	.668	.411	.913	1.625	.367	.452	.677
B-1402	1.626	1.625	.560	.112	.138	.447	.813	.206	.254	.607

Table 2 — Load ratings for ½" strut nuts used in Superstrut® channel

Channel. no.	Slip resistance (lbs)	Pull-out strength (lbs)
A-1200	1,500	2,000
C-1200	1,500	2,000
B-1200	1,400	1,400
A-1400	1,000	1,400
B-1400	1,000	1,400

Safety factor of 3

If connections will be subjected to dynamic or seismic loading conditions, contact ABB Technical Services for design assistance.

Technical information

Design data — Metal framing channel (continued)

Design loads for channel used as beam or column

Table 3

Beam loads

Table 3 contains simple beam, uniformly-distributed loads calculated at 25,000 psi fiber stress. Beam loads are based on channel being loaded across the x-x axis. Loads are also listed at reduced deflections for long spans.

Maximum loads @ 25,000 psi stress

Maximum allowable deflections and maximum uniform loads for all spans @ 25,000 psi fiber stress.

Reduced load for all 1/180 span deflection

For moderate deflections on the longer spans, reduced loads are listed which will produce a deflection equal to 1/180 of the span. When maximum loads do not induce deflections exceeding 1/180 x the span length, reduced loads are not required.

Reduced load for 1/360 span deflection

For very slight deflections on the longer spans, reduced loads are listed which will produce a deflection equal to 1/360 of the span. When maximum loads do not induce deflections exceeding 1/360 x the span length, reduced loads are not required.

Concentrated loads

To obtain values for concentrated loads from Table 3, multiply uniform load by .5 and deflection by 1.25.

Slotted, punched or KO channel

Reduce load rating 5%.

Long span deep beams

Support in a manner to prevent rotation at supports and tie between supports to prevent twist.

Column loads

Allowable column loads given are for uniform axial loading with pinned ends. For eccentric loading or other end conditions, reduce allowable loads according to standard engineering practice.

Dynamic loads

Allowable dynamic loads may be calculated by dividing the static loads shown in Table 3, by 2.08.



Technical information

Design data — Metal framing channel (continued)

Table 3 — Single channel

Cat. No.	Depth (in)	GA.	Maximum uniform		1/180 Span		1/360 Span		Col. load (lbs)
			Load (lbs)	Defl. (in)	Load (lbs)	Defl. (in)	Load (lbs)	Defl. (in)	
12" Beam or Column									
A-1200	1 $\frac{5}{8}$	12	3,534	.014	—	.067	—	.033	10,533
B-1200	1 $\frac{3}{16}$	12	1,050	.026	—	.067	—	.033	6,683
C-1200	1 $\frac{3}{8}$	12	2,584	.016	—	.067	—	.033	9,345
E-1200	2 $\frac{7}{16}$	12	6,650	.010	—	.067	—	.033	13,830
H-1200	3 $\frac{1}{4}$	12	10,583	.008	—	.067	—	.033	17,106
A-1400	1 $\frac{5}{8}$	14	2,434	.015	—	.067	—	.033	7,575
B-1400	1 $\frac{3}{16}$	14	850	.028	—	.067	—	.033	4,950
18" Beam or Column									
A-1200	1 $\frac{5}{8}$	12	2,355	.033	—	.100	—	.050	10,210
B-1200	1 $\frac{3}{16}$	12	700	.059	—	.100	—	.050	6,058
C-1200	1 $\frac{3}{8}$	12	1,723	.038	—	.100	—	.050	8,970
E-1200	2 $\frac{7}{16}$	12	4,434	.023	—	.100	—	.050	13,482
H-1200	3 $\frac{1}{4}$	12	7,055	.016	—	.100	—	.050	16,693
A-1400	1 $\frac{5}{8}$	14	1,623	.031	—	.100	—	.050	7,334
B-1400	1 $\frac{3}{16}$	14	566	.063	—	.100	453	.050	4,150
24" Beam or Column									
A-1200	1 $\frac{5}{8}$	12	1,766	.058	—	.133	—	.067	9,842
B-1200	1 $\frac{3}{16}$	12	525	.105	—	.133	333	.067	5,315
C-1200	1 $\frac{3}{8}$	12	1,291	.066	—	.133	—	.067	8,545
E-1200	2 $\frac{7}{16}$	12	3,325	.039	—	.133	—	.067	13,082
H-1200	3 $\frac{1}{4}$	12	5,291	.030	—	.133	—	.067	16,277
A-1400	1 $\frac{5}{8}$	14	1,216	.056	—	.133	—	.067	7,058
B-1400	1 $\frac{3}{16}$	14	425	.110	—	.133	258	.067	4,000
30" Beam or Column									
A-1200	1 $\frac{5}{8}$	12	1,414	.089	—	.167	—	.083	9,419
B-1200	1 $\frac{3}{16}$	12	420	.164	—	.167	266	.083	4,465
C-1200	1 $\frac{3}{8}$	12	1,034	.104	—	.167	1,040	.083	8,060
E-1200	2 $\frac{7}{16}$	12	2,660	.063	—	.167	—	.083	12,640
H-1200	3 $\frac{1}{4}$	12	4,234	.046	—	.167	—	.083	15,698
A-1400	1 $\frac{5}{8}$	14	974	.088	—	.167	—	.083	6,753
B-1400	1 $\frac{3}{16}$	14	340	.172	—	.167	165	.083	3,420

When no numbers are shown, use the maximum uniform load.

Technical information

Design data — Metal framing channel (continued)

Table 3 — Double channel (single channels welded back-to-back)

Cat. No.	Depth (in)	GA.	Maximum uniform		1/180 Span		1/360 Span		Col. load (lbs)
			Load (lbs)	Defl. (in)	Load (lbs)	Defl. (in)	Load (lbs)	Defl. (in)	
12" Beam or Column									
A-1202	3¼	12	—	.008	—	.067	—	.033	21,177
B-1202	1⅝	12	3,016	.016	—	.067	—	.033	14,110
C-1202	2¾	12	—	.010	—	.067	—	.033	18,990
E-1202	4⅞	12	—	.005	—	.067	—	.033	27,623
H-1202	6½	12	—	.004	—	.067	—	.033	34,210
A-1402	3¼	14	—	.008	—	.067	—	.033	15,250
B-1402	1⅝	14	2,300	.016	—	.067	—	.033	10,390
18" Beam or Column									
A-1202	3¼	12	—	.018	—	.100	—	.050	20,609
B-1202	1⅝	12	2,011	.036	—	.100	—	.050	13,440
C-1202	2¾	12	4,811	.021	—	.100	—	.050	18,470
E-1202	4⅞	12	—	.013	—	.100	—	.050	16,926
H-1202	6½	12	—	.009	—	.100	—	.050	33,390
A-1402	3¼	14	—	.018	—	.100	—	.050	14,867
B-1402	1⅝	14	1,534	.036	—	.100	—	.050	9,910
24" Beam or Column									
A-1202	3¼	12	4,858	.031	—	.133	—	.067	19,974
B-1202	1⅝	12	1,509	.064	—	.133	—	.067	12,670
C-1202	2¾	12	3,609	.038	—	.133	—	.067	17,890
E-1202	4⅞	12	—	.021	—	.133	—	.067	26,143
H-1202	6½	12	—	.016	—	.133	—	.067	32,435
A-1402	3¼	14	3,425	.033	—	.133	—	.067	14,426
B-1402	1⅝	14	1,150	.064	—	.133	—	.067	9,350
30" Beam or Column									
A-1202	3¼	12	3,886	.049	—	.167	—	.083	19,261
B-1202	1⅝	12	1,206	.100	—	.167	—	.083	11,803
C-1202	2¾	12	2,886	.059	—	.167	—	.083	17,230
E-1202	4⅞	12	7,806	.034	—	.167	—	.083	25,259
H-1202	6½	12	—	.025	—	.167	—	.083	31,395
A-1402	3¼	14	2,740	.050	—	.167	—	.083	13,937
B-1402	1⅝	14	920	.100	—	.167	—	.083	8,730

When no numbers are shown, use the maximum uniform load.

Technical information

Design data — Metal framing channel (continued)

Table 3 — Single channel

Cat. No.	Depth (in)	GA.	Maximum uniform		1/180 Span		1/360 Span		Col. load (lbs)
			Load (lbs)	Defl. (in)	Load (lbs)	Defl. (in)	Load (lbs)	Defl. (in)	
A-1200	1 $\frac{5}{8}$	12	1,178	.129	—	.200	917	.100	8,962
B-1200	1 $\frac{3}{16}$	12	350	.236	—	.200	148	.100	3,498
C-1200	1 $\frac{3}{8}$	12	861	.149	—	.200	578	.100	7,525
E-1200	2 $\frac{7}{16}$	12	2,216	.088	—	.200	—	.100	12,160
H-1200	3 $\frac{1}{4}$	12	3,528	.068	—	.200	—	.100	15,132
A-1400	1 $\frac{5}{8}$	14	811	.126	—	.200	640	.100	6,416
B-1400	1 $\frac{3}{16}$	14	284	.248	—	.200	115	.100	2,755
42" Beam or Column									
A-1200	1 $\frac{5}{8}$	12	1,010	.175	—	.233	674	.117	8,466
B-1200	1 $\frac{3}{16}$	12	300	.323	217	.233	109	.117	2,579
C-1200	1 $\frac{3}{8}$	12	738	.203	—	.233	425	.117	6,945
E-1200	2 $\frac{7}{16}$	12	1,900	.120	—	.233	—	.117	11,698
H-1200	3 $\frac{1}{4}$	12	3,024	.091	—	.233	—	.117	14,514
A-1400	1 $\frac{5}{8}$	14	695	.160	—	.233	470	.117	6,051
B-1400	1 $\frac{3}{16}$	14	243	.336	168	.233	84	.117	2,060
48" Beam or Column									
A-1200	1 $\frac{5}{8}$	12	884	.228	—	.267	516	.133	7,943
B-1200	1 $\frac{3}{16}$	12	263	.420	167	.267	83	.133	1,981
C-1200	1 $\frac{3}{8}$	12	646	.265	—	.267	325	.133	6,325
E-1200	2 $\frac{7}{16}$	12	1,663	.156	—	.267	—	.133	11,092
H-1200	3 $\frac{1}{4}$	12	2,646	.120	—	.267	—	.133	13,850
A-1400	1 $\frac{5}{8}$	14	609	.120	—	.267	360	.133	5,658
B-1400	1 $\frac{3}{16}$	14	213	.440	129	.267	64	.133	1,580
54" Beam or Column									
A-1200	1 $\frac{5}{8}$	12	785	.289	—	.300	408	.150	7,369
B-1200	1 $\frac{3}{16}$	12	234	.533	132	.300	66	.150	1,555
C-1200	1 $\frac{3}{8}$	12	574	.335	—	.300	257	.150	5,650
E-1200	2 $\frac{7}{16}$	12	1,478	.198	—	.300	1,123	.150	10,505
H-1200	3 $\frac{1}{4}$	12	2,351	.151	—	.300	—	.150	13,150
A-1400	1 $\frac{5}{8}$	14	541	.286	—	.300	284	.150	5,241
B-1400	1 $\frac{3}{16}$	14	189	.556	102	.300	51	.150	1,250

When no numbers are shown, use the maximum uniform load.

Technical information

Design data — Metal framing channel (continued)

Table 3 — Double channel (single channels welded back-to-back)

Cat. No.	Depth (in)	GA.	Maximum uniform		1/180 Span		1/360 Span		Col. load (lbs)
			Load (lbs)	Defl. (in)	Load (lbs)	Defl. (in)	Load (lbs)	Defl. (in)	
36" Beam or Column									
A-1202	3¼	12	3,239	.071	—	.200	—	.100	18,470
B-1202	1⅝	12	1,005	.144	—	.200	702	.100	10,840
C-1202	2¾	12	2,400	.085	—	.200	—	.100	16,500
E-1202	4⅞	12	6,505	.048	—	.200	—	.100	24,316
H-1202	6½	12	—	.036	—	.200	—	.100	30,265
A-1402	3¼	14	2,284	.071	—	.200	—	.100	13,416
B-1402	1⅝	14	766	.144	—	.200	535	.100	8,050
42" Beam or Column									
A-1202	3¼	12	2,776	.098	—	.233	—	.117	17,635
B-1202	1⅝	12	863	.195	—	.233	516	.117	9,790
C-1202	2¾	12	2,063	.115	—	.233	—	.117	15,730
E-1202	4⅞	12	5,576	.065	—	.233	—	.117	23,272
H-1202	6½	12	9,190	.049	—	.233	—	.117	29,025
A-1402	3¼	14	1,958	.225	—	.233	—	.117	12,832
B-1402	1⅝	14	658	.195	—	.233	393	.117	7,300
48" Beam or Column									
A-1202	3¼	12	2,429	.128	—	.267	—	.133	16,730
B-1202	1⅝	12	754	.255	—	.267	395	.133	8,640
C-1202	2¾	12	1,804	.151	—	.267	—	.133	14,890
E-1202	4⅞	12	4,879	.085	—	.267	—	.133	22,170
H-1202	6½	12	8,041	.064	—	.267	—	.133	27,700
A-1402	3¼	14	1,713	.128	—	.267	—	.133	12,223
B-1402	1⅝	14	575	.255	—	.267	301	.133	6,480
54" Beam or Column									
A-1202	3¼	12	2,159	.161	—	.300	—	.150	15,763
B-1202	1⅝	12	670	.323	—	.300	312	.150	7,405
C-1202	2¾	12	1,604	.190	—	.300	1,263	.150	13,990
E-1202	4⅞	12	4,338	.108	—	.300	—	.150	20,980
H-1202	6½	12	7,149	.081	—	.300	—	.150	16,280
A-1402	3¼	14	1,523	.161	—	.300	—	.150	11,566
B-1402	1⅝	14	511	.323	—	.300	238	.150	5,580

When no numbers are shown, use the maximum uniform load.

Technical information

Design data — Metal framing channel (continued)

Table 3 — Single channel

Cat. No.	Depth (in)	GA.	Maximum uniform		1/180 Span		1/360 Span		Col. load (lbs)
			Load (lbs)	Defl. (in)	Load (lbs)	Defl. (in)	Load (lbs)	Defl. (in)	
60" Beam or Column									
A-1200	1 $\frac{5}{8}$	12	706	.358	—	.333	330	.167	6,762
B-1200	1 $\frac{3}{16}$	12	210	.658	107	.333	53	.167	—
C-1200	1 $\frac{3}{8}$	12	516	.414	—	.333	208	.167	4,920
E-1200	2 $\frac{7}{16}$	12	1,330	.244	—	.333	909	.167	9,874
H-1200	3 $\frac{1}{4}$	12	2,116	.186	—	.333	—	.167	12,406
A-1400	1 $\frac{5}{8}$	14	486	.353	—	.333	231	.167	4,792
B-1400	1 $\frac{3}{16}$	14	170	.687	82	.333	41	.167	—
66" Beam or Column									
A-1200	1 $\frac{5}{8}$	12	643	.432	—	.367	273	.183	6,127
B-1200	1 $\frac{3}{16}$	12	191	.795	88	.367	44	.183	—
C-1200	1 $\frac{3}{8}$	12	470	.501	344	.367	172	.183	4,145
E-1200	2 $\frac{7}{16}$	12	1,210	.295	—	.367	753	.183	9,211
H-1200	3 $\frac{1}{4}$	12	1,924	.226	—	.367	—	.183	11,616
A-1400	1 $\frac{5}{8}$	14	443	.426	—	.367	190	.183	4,311
B-1400	1 $\frac{3}{16}$	14	155	.831	68	.367	35	.183	—
72" Beam or Column									
A-1200	1 $\frac{5}{8}$	12	589	.514	459	.400	299	.200	5,436
B-1200	1 $\frac{3}{16}$	12	175	.946	74	.400	37	.200	—
C-1200	1 $\frac{3}{8}$	12	430	.595	289	.400	144	.200	3,485
E-1200	2 $\frac{7}{16}$	12	1,108	.351	—	.400	632	.200	8,509
H-1200	3 $\frac{1}{4}$	12	1,839	.269	—	.400	1,313	.200	10,782
A-1400	1 $\frac{5}{8}$	14	405	.506	320	.400	160	.200	3,809
B-1400	1 $\frac{3}{16}$	14	141	.989	57	.400	29	.200	—
84" Beam or Column									
A-1200	1 $\frac{5}{8}$	12	505	.700	337	.467	168	.233	4,061
B-1200	1 $\frac{3}{16}$	12	—	—	54	.467	27	.233	—
C-1200	1 $\frac{3}{8}$	12	369	.811	212	.467	106	.233	2,565
E-1200	2 $\frac{7}{16}$	12	950	.479	—	.467	464	.233	6,991
H-1200	3 $\frac{1}{4}$	12	1,513	.366	—	.467	965	.233	8,988
A-1400	1 $\frac{5}{8}$	14	348	.691	235	.467	118	.233	2,827
B-1400	1 $\frac{3}{16}$	14	—	—	42	.467	21	.233	—

When no numbers are shown, use the maximum uniform load.

Technical information

Design data — Metal framing channel (continued)

Table 3 — Double channel (single channels welded back-to-back)

Cat. No.	Depth (in)	GA.	Maximum uniform		1/180 Span		1/360 Span		Col. load (lbs)
			Load (lbs)	Defl. (in)	Load (lbs)	Defl. (in)	Load (lbs)	Defl. (in)	
60" Beam or Column									
A-1202	3¼	12	1,944	.199	—	.333	—	.167	14,738
B-1202	1⅝	12	604	.398	—	.333	253	.167	6,100
C-1202	2¾	12	1,444	.235	—	.333	1,023	.167	13,050
E-1202	4⅞	12	3,904	.133	—	.333	—	.167	19,734
H-1202	6½	12	6,434	.100	—	.333	—	.167	24,810
A-1402	3¼	14	1,370	.199	—	.333	—	.167	10,878
B-1402	1⅝	14	460	.399	—	.333	193	.167	4,640
66" Beam or Column									
A-1202	3¼	12	1,766	.240	—	.367	1,347	.183	13,646
B-1202	1⅝	12	549	.481	418	.367	209	.183	5,055
C-1202	2¾	12	1,313	.285	—	.367	846	.183	12,030
E-1202	4⅞	12	3,549	.180	—	.367	—	.183	18,415
H-1202	6½	12	5,849	.120	—	.367	—	.183	23,230
A-1402	3¼	14	1,245	.241	—	.367	949	.183	10,133
B-1402	1⅝	14	419	.483	318	.367	159	.183	3,840
72" Beam or Column									
A-1202	3¼	12	1,620	.286	—	.400	1,132	.200	12,500
B-1202	1⅝	12	503	.574	351	.400	176	.200	4,230
C-1202	2¾	12	1,203	.339	—	.400	710	.200	10,980
E-1202	4⅞	12	3,253	.191	—	.400	—	.200	17,023
H-1202	6½	12	5,361	.143	—	.400	—	.200	21,560
A-1402	3¼	14	1,141	.286	—	.400	798	.200	9,340
B-1402	1⅝	14	384	.574	267	.400	134	.200	3,220
84" Beam or Column									
A-1202	3¼	12	1,388	.390	—	.467	832	.233	9,992
B-1202	1⅝	12	431	.780	258	.467	129	.233	3,100
C-1202	2¾	12	1,031	.461	—	.467	522	.233	8,670
E-1202	4⅞	12	2,788	.260	—	.467	—	.233	13,993
H-1202	6½	12	4,595	.195	—	.467	—	.233	17,975
A-1402	3¼	14	979	.390	—	.467	586	.233	7,682
B-1402	1⅝	14	329	.781	197	.467	98	.233	2,370

When no numbers are shown, use the maximum uniform load.

Technical information

Design data — Metal framing channel (continued)

Table 3 — Single channel

Cat. No.	Depth (in)	GA.	Maximum uniform		1/180 Span		1/360 Span		Col. load (lbs)
			Load (lbs)	Defl. (in)	Load (lbs)	Defl. (in)	Load (lbs)	Defl. (in)	
96" Beam or Column									
A-1200	1 $\frac{5}{8}$	12	441	.914	258	.533	129	.267	3,108
B-1200	1 $\frac{3}{16}$	12	—	—	42	.533	21	.267	—
C-1200	1 $\frac{3}{8}$	12	323	1.059	163	.533	81	.267	1,960
E-1200	2 $\frac{7}{16}$	12	831	.730	—	.533	355	.267	5,423
H-1200	3 $\frac{1}{4}$	12	1,323	.478	—	.533	739	.267	7,059
A-1400	1 $\frac{5}{8}$	14	304	.903	180	.533	90	.267	2,615
B-1400	1 $\frac{3}{16}$	14	—	—	32	.533	16	.267	—
108" Beam or Column									
A-1200	1 $\frac{5}{8}$	12	393	1.156	204	.600	102	.300	2,456
B-1200	1 $\frac{3}{16}$	12	—	—	33	.600	16	.300	—
C-1200	1 $\frac{3}{8}$	12	288	1.350	128	.600	64	.300	—
E-1200	2 $\frac{7}{16}$	12	739	.790	561	.600	281	.300	4,291
H-1200	3 $\frac{1}{4}$	12	1,176	.605	—	.600	584	.300	5,579
A-1400	1 $\frac{5}{8}$	14	270	1.141	142	.600	71	.300	1,708
B-1400	1 $\frac{3}{16}$	14	—	—	25	.600	13	.300	—
120" Beam or Column									
A-1200	1 $\frac{5}{8}$	12	354	1.425	165	.667	83	.333	—
B-1200	1 $\frac{3}{16}$	12	—	—	27	.667	13	.333	—
C-1200	1 $\frac{3}{8}$	12	259	1.663	104	.667	52	.333	—
E-1200	2 $\frac{7}{16}$	12	665	.976	455	.667	227	.333	3,478
H-1200	3 $\frac{1}{4}$	12	1,059	.746	—	.667	473	.333	4,521
A-1400	1 $\frac{5}{8}$	14	244	1.413	114	.667	57	.333	—
B-1400	1 $\frac{3}{16}$	14	—	—	21	.667	10	.333	—
144" Beam or Column									
A-1200	1 $\frac{5}{8}$	12	—	—	115	.800	57	.400	—
C-1200	1 $\frac{3}{8}$	12	—	—	72	.800	36	.400	—
E-1200	2 $\frac{7}{16}$	12	554	1.400	315	.800	158	.400	—
H-1200	3 $\frac{1}{4}$	12	883	1.075	657	.800	328	.400	—
A-1400	1 $\frac{5}{8}$	14	—	—	80	.800	40	.400	—

When no numbers are shown, use the maximum uniform load.

Technical information

Design data — Metal framing channel (continued)

Table 3 — Double channel (single channels welded back-to-back)

Cat. No.	Depth (in)	GA.	Maximum uniform		1/180 Span		1/360 Span		Col. load (lbs)
			Load (lbs)	Defl. (in)	Load (lbs)	Defl. (in)	Load (lbs)	Defl. (in)	
96" Beam or Column									
A-1202	3¼	12	1,215	.509	—	.533	637	.267	7,675
B-1202	1⅝	12	378	1.019	197	.533	99	.267	—
C-1202	2¾	12	903	.603	—	.533	400	.267	6,640
E-1202	4⅞	12	2,440	.340	—	.533	1,917	.267	10,875
H-1202	6½	12	4,021	.255	—	.533	—	.267	14,120
A-1402	3¼	14	856	.509	—	.533	449	.267	5,951
B-1402	1⅝	14	288	1.020	150	.533	75	.267	—
108" Beam or Column									
A-1202	3¼	12	1,080	.644	—	.600	503	.300	6,071
B-1202	1⅝	12	355	1.290	156	.600	78	.300	—
C-1202	2¾	12	801	.763	632	.600	316	.300	5,250
E-1202	4⅞	12	2,169	.430	—	.600	1,515	.300	8,599
H-1202	6½	12	3,574	.323	—	.600	—	.300	11,160
A-1402	3¼	14	761	.644	—	.600	355	.300	4,702
B-1402	1⅝	14	255	1.290	119	.600	59	.300	—
120" Beam or Column									
A-1202	3¼	12	971	.795	—	.667	408	.333	—
B-1202	1⅝	12	301	1.588	126	.667	63	.333	—
C-1202	2¾	12	721	.941	512	.667	256	.333	4,250
E-1202	4⅞	12	1,951	.531	—	.667	1,227	.333	6,946
H-1202	6½	12	3,216	.398	—	.667	—	.333	9,040
A-1402	3¼	14	685	.796	—	.667	287	.333	3,805
B-1402	1⅝	14	230	1.600	96	.667	48	.333	—
144" Beam or Column									
A-1202	3¼	12	810	1.145	566	.800	283	.400	—
B-1202	1⅝	12	—	—	88	.800	44	.400	—
C-1202	2¾	12	601	1.350	355	.800	178	.400	—
E-1202	4⅞	12	1,626	.764	—	.800	852	.400	—
H-1202	6½	12	2,680	.573	—	.800	1,873	.400	—
A-1402	3¼	14	571	1.146	399	.800	199	.400	—
B-1402	1⅝	14	—	—	67	.800	33	.400	—

When no numbers are shown, use the maximum uniform load.

Technical information

Design data — Metal framing channel (continued)

Table 3 — Single channel

Cat. No.	Depth (in)	GA.	Maximum uniform		1/180 Span		1/360 Span		Col. load (lbs)
			Load (lbs)	Defl. (in)	Load (lbs)	Defl. (in)	Load (lbs)	Defl. (in)	
168" Beam or Column									
A-1200	1 $\frac{3}{8}$	12	—	—	84	.933	42	.467	—
C-1200	1 $\frac{3}{8}$	12	—	—	53	.933	27	.467	—
E-1200	2 $\frac{7}{16}$	12	475	1.912	233	.933	116	.467	—
H-1200	3 $\frac{3}{4}$	12	756	1.463	482	.933	241	.467	—
A-1400	1 $\frac{3}{8}$	14	—	—	60	.933	30	.467	—
192" Beam or Column									
E-1200	2 $\frac{7}{16}$	12	—	—	178	1.07	89	.533	—
H-1200	3 $\frac{3}{4}$	12	661	1.910	369	1.07	185	.533	—
216" Beam or Column									
E-1200	2 $\frac{7}{16}$	12	—	—	140	1.20	70	.600	—
H-1200	3 $\frac{3}{4}$	12	—	—	292	1.20	146	.600	—
240" Beam or Column									
E-1200	2 $\frac{7}{16}$	12	—	—	114	.334	57	.667	—
H-1200	3 $\frac{3}{4}$	12	—	—	236	.334	118	.667	—

When no numbers are shown, use the maximum uniform load.

Technical information

Design data — Metal framing channel (continued)

Table 3 — Double channel (single channels welded back-to-back)

Cat. No.	Depth (in)	GA.	Maximum uniform		1/180 Span		1/360 Span		Col. load (lbs)
			Load (lbs)	Defl. (in)	Load (lbs)	Defl. (in)	Load (lbs)	Defl. (in)	
168" Beam or Column									
A-1202	3¼	12	694	1.563	916	.933	208	.467	—
B-1202	1⅝	12	—	—	64	.933	32	.467	—
C-1202	2¾	12	515	1.850	261	.933	130	.467	—
E-1202	4⅞	12	1,394	1.040	1,255	.933	626	.467	—
H-1202	6½	12	2,298	.780	—	.933	1,326	.467	—
A-1402	3¼	14	489	1.563	293	.933	147	.467	—
B-1402	1⅝	14	—	—	49	.933	25	.467	—
192" Beam or Column									
A-1202	3¼	12	—	—	318	1.07	159	.533	—
—	—	—	—	—	—	—	—	—	—
C-1202	2¾	12	—	—	200	1.07	100	.533	—
E-1202	4⅞	12	1,220	1.363	958	1.07	479	.533	—
H-1202	6½	12	2,010	1.019	—	1.07	1,053	.533	—
A-1402	3¼	14	—	—	224	1.07	112	.533	—
—	—	—	—	—	—	—	—	—	—
216" Beam or Column									
A-1202	3¼	12	—	—	252	1.20	126	.600	—
—	—	—	—	—	—	—	—	—	—
C-1202	2¾	12	—	—	158	1.20	79	.600	—
E-1202	4⅞	12	1,084	1.725	757	1.20	379	.600	—
H-1202	6½	12	1,788	1.288	—	1.20	832	.600	—
A-1402	3¼	14	—	—	177	1.20	89	.600	—
—	—	—	—	—	—	—	—	—	—
240" Beam or Column									
A-1202	3¼	12	—	—	204	1.33	102	.667	—
—	—	—	—	—	—	—	—	—	—
C-1202	2¾	12	—	—	128	1.33	64	.667	—
E-1202	4⅞	12	—	—	613	1.33	307	.667	—
H-1202	6½	12	1,609	1.588	—	1.33	674	.667	—
A-1402	3¼	14	—	—	144	1.33	72	.667	—
—	—	—	—	—	—	—	—	—	—

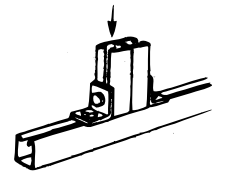
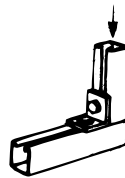
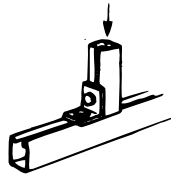
When no numbers are shown, use the maximum uniform load.

Technical information

Design data — Metal framing channel (continued)

Table 4 — Safe bearing loads for 1½" channel and combinations

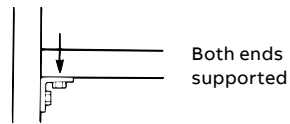
Section	Recommended load (lbs)	Section	Recommended load (lbs)	Section	Recommended load (lbs)
A-1200	5,000	A-1200	3,500	A-1200	8,000
A-1400	3,500	A-1400	2,500	A-1400	5,500
B-1200	6,000	B-1200	4,000	B-1200	9,000
B-1400	3,400	B-1400	2,600	B-1400	4,800
C-1200	5,000	C-1200	3,500	C-1200	8,000
E-1200	5,000	E-1200	3,500	E-1200	8,000
H-1200	4,000	H-1200	2,000	H-1200	5,500



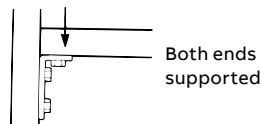
Safety factor of 2½

Table 5 — Design load table for typical channel connections — 90° Fittings (when used in position shown) & flat plate fittings

Section	Recommended load (lbs)
AB-202 A-1200	1500
A-1400	1000



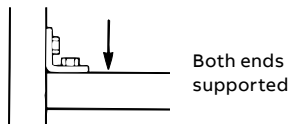
Section	Recommended load (lbs)
AB-203 A-1200	2000
A-1400	1500



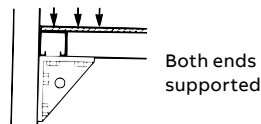
Section	Recommended load (lbs)
AB-201	700
AB-203	700



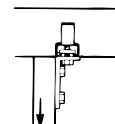
Section	Recommended load (lbs)
AB-202 A-1200	1000
A-1400	650



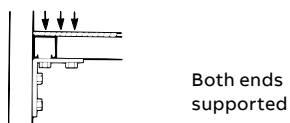
Section	Recommended load (lbs)
AB-213 A-1200	3000
AB-214 A-1400	2000



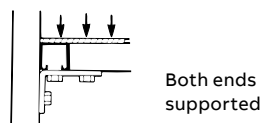
Section	Recommended load (lbs)
AB-200	1500



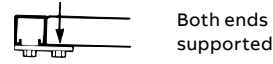
Section	Recommended load (lbs)
AB-205 A-1200	2000
AB-216 A-1400	2000



Section	Recommended load (lbs)
AB-204 A-1200	1500
AB-215 A-1400	1000



Flat plate fittings	
Section	Recommended load (lbs)
AB-206 A-1200	1000
A-1400	800

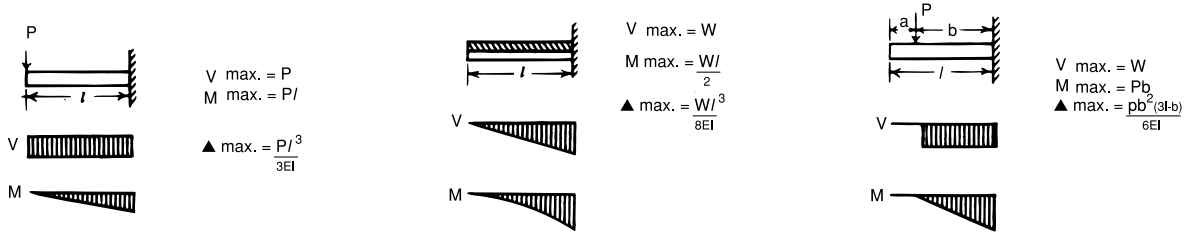


Safety factor of 2½ based on ultimate strength of the connection. Load diagrams indicate up to three design loads, for 12 gauge, 14 gauge and 16 gauge channel applications.

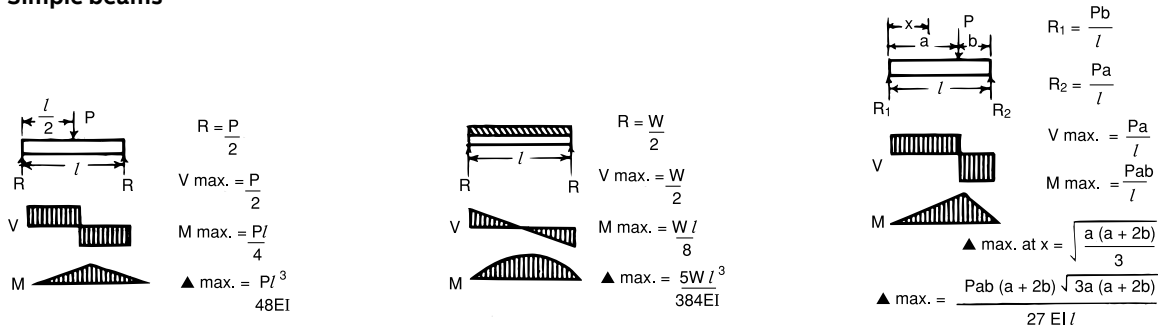
Technical information

Design applications

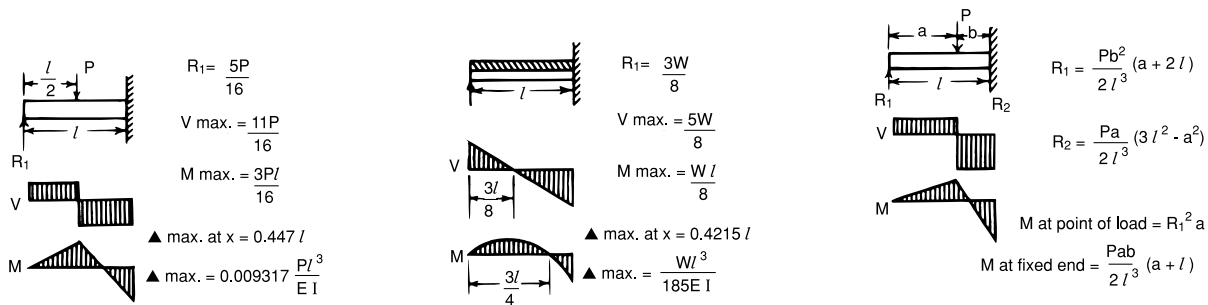
Cantilever beams



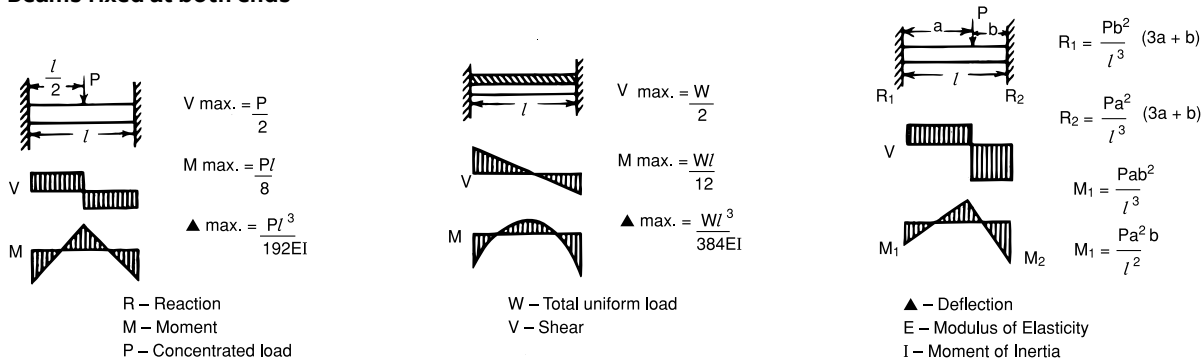
Simple beams



Beams fixed on one end, supported at other



Beams fixed at both ends



Technical information

Design applications (continued)

Table 6 — Conversion factors for beams with various static loading conditions*

Load and support condition		Load factor	Deflection factor
1	Simple beam - Uniform load	1.00	1.00
2	Simple beam - Concentrated load at center	0.50	1.25
3	Simple beam - Two equal concentrated loads at ¼ points	1.00	1.10
4	Beam fixed at both ends - Uniform load	1.50	0.30
5	Beam fixed at both ends - Concentrated load at center	1.00	0.40
6	Cantilever beam - Uniform load	0.25	2.40
7	Cantilever beam - Concentrated load at end	0.12	3.20
8	Continuous beam - Two equal spans - Uniform load on one span	1.30	0.92
9	Continuous beam - Two equal spans - Uniform load on both ends	1.00	0.42
10	Continuous beam - Two equal spans - Concentrated load at center of one span	0.62	0.71
11	Continuous beam - two equal spans - Concentrated load at center of both spans	0.67	0.48

* Load tables on pages 141–151 for A, B, C, E and H series channel are for single span beams supported at the ends.

These can be used in the majority of cases. There are times when it is necessary to know what happens with other loading and support conditions.

Some common arrangements are shown in Table 6. Simply multiply the loads from the Design Load Tables times the factors given in Table 6.

Examples shown on page 155

Technical information

Design applications (continued)

Example I

Problem:

Determine the load and deflection of an A-1200 beam continuous over one support and loaded uniformly on one span.

Solution:

- A. From load table 3 for A-1200 the load for a 5'0" span is 706 lbs. and deflection is .358".
- B. Multiply by factors from Table 6.
 Load = 706 lbs. x 1.30 = 917.8 lbs.
 Deflection = .358 x .92 = .329"



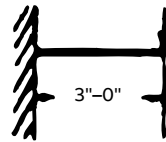
Example II

Problem:

Determine load and deflection of an E-1200 cantilever beam with a concentrated load on the end.

Solution:

- A. From load table 3 for E-1200 the load for a 3'0" span is 2216 lbs. and deflection is .088".
- B. Multiply by factors from Table 6.
 Load = 2216 lbs. x .12 = 265.9 lbs.
 Deflection = .088 x 3.20 = .282"



Column loading

The load bearing capacity of column or compression members is a function of the inherent configurational strength, the unbraced length and design of the end connections.

Values of axial column loading given in Table 3 were calculated using a rotationally free and translation fixed correction at each end (see illustration I). This gives an end condition constant (K) of 1.

If other end conditions are used, axial loading should be calculated using procedures in the AISI specification for the design of cold formed steel structural members (SG671) and the engineering values for Superstrut channel given in Table 1.

End condition code




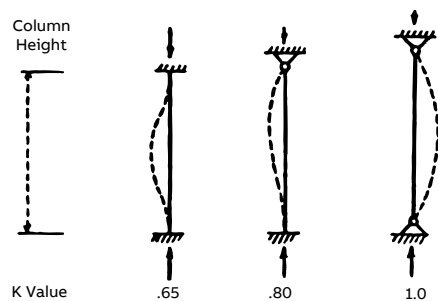
-  Rotation fixed and translation fixed
-  Rotation free and translation fixed
-  Rotation fixed and translation free

Illustration 1



Technical information

Design applications (continued)

Table 7 — Load carrying capacities of hot-rolled steel rod

Dimensions (in) — Loads	
Nominal rod dia.	Root area thread
1/8	.068
1/2	.126
5/8	.202
3/4	.302
7/8	.419

Safety factor of 5.

Table 8 — Rod size determined by pipe size for fire protection

Dimensions (in) — Loads	
Nominal rod dia.	Root area thread
3/4 to 2	1/8
2 1/2 to 3 1/2	1/2
4 to 5	5/8
6	3/4
8 to 12	7/8

Safety factor of 5.

Table 9 — Maximum spacing between pipe supports

Steel Pipe																				
Nom. Pipe Size (in)	1/2	3/4	1	1 1/2	2	2 1/2	3	3 1/2	4	5	6	8	10	12	14	16	18	20	24	
Max. Spacing (FT.)	5	6	7	9	10	11	12	13	14	16	17	19	22	23	25	27	28	30	32	
Copper Size																				
Nom. Pipe Size (in)	1/2	3/4	1	1 1/4	1 1/2	2	2 1/2	3	3 1/2	4										
Max. Spacing (FT.)		5	6	6	7	8	9	10	10	11	12									

Table 10 — Minimum spacing (in) between centers of standard pipe when using Superstrut #702 pipe straps

Nom. pipe size (in)	1/2	3/4	1	1 1/4	1 1/2	2	2 1/2	3	3 1/2	4	5	6	8
1/2	1 3/16	—	—	—	—	—	—	—	—	—	—	—	—
3/4	1 5/16	1 7/16	—	—	—	—	—	—	—	—	—	—	—
1	1 1/2	1 5/8	1 3/4	—	—	—	—	—	—	—	—	—	—
1 1/4	1 3/4	1 7/8	2	2 1/4	—	—	—	—	—	—	—	—	—
1 1/2	1 15/16	2 1/16	2 3/16	2 7/16	2 9/16	—	—	—	—	—	—	—	—
2	2 3/16	2 5/16	2 1/2	2 3/4	2 7/8	3 1/8	—	—	—	—	—	—	—
2 1/2	2 7/16	2 9/16	2 3/4	3	3 1/8	3 1/8	3 5/8	—	—	—	—	—	—
3	2 13/16	2 15/16	3 1/16	3 5/16	3 7/16	3 3/4	4	4 5/16	—	—	—	—	—
3 1/2	3 1/8	3 1/4	3 1/8	3 5/8	3 3/4	4 1/16	4 5/16	4 5/8	4 15/16	—	—	—	—
4	3 7/16	3 9/16	3 15/16	4 1/16	4 1/8	4 5/8	4 15/16	5 1/4	5 9/16	—	—	—	—
6	4 3/4	4 7/8	5	5 1/4	5 1/8	5 1/8	5 1/8	6 3/16	6 1/2	6 3/16	7 1/16	8 1/8	—
8	5 7/16	6	6 1/8	6 1/8	6 1/2	6 3/4	7	7 5/16	7 5/8	8	8 9/16	9 1/4	10 1/8

Technical information

Design applications (continued)

Table 11 — Standard dimensions and weights of piping materials and conduit

Mechanical (Schedule 40)			Nominal conduit size (in)	Electrical conduit rigid steel conduit O.D. (in)	Thin wall (EMT) conduit O.D. (in)
Nominal std pipe size (in)	Pipe O.D. (in)	Coupling O.D. (in)			
½	.84	1.06	½	.84	.71
¾	1.05	1.31	¾	1.05	.92
1	1.32	1.58	1	1.32	1.16
1¼	1.66	1.90	1¼	1.66	1.51
1½	1.90	2.20	2	2.38	2.20
2	2.38	2.75	2½	2.88	2.88
2½	2.88	3.25	3	3.50	3.50
3	3.50	4.00	4	4.50	4.50
3½	4.00	4.63			
4	4.50	5.00			
5	5.56	6.30			
6	6.63	7.39			
8	8.63	9.23			
10	10.75	—			
12	12.75	—			
14	14.00	—			
16	16.00	—			
18	18.00	—			
20	20.00	—			
22	22.00	—			
24	24.00	—			
26	26.00	—			
28	28.00	—			
30	30.00	—			

* Includes weight of heaviest conductor combination

Technical information

Design applications (continued)

Table 12 — Extra strong pipe (Schedule 80)

A.S.A. B36.10 Schedule Nos. and nominal wall thickness designations	Nominal pipe size (in)	Outside diameter (in)	Wall thickness (in)	Inside diameter (in)
Extra strong pipe and Schedule 80 pipe (through 8")	¾	.675	.126	.423
	½	.840	.147	.546
	¾	1.050	.154	.742
	1	1.315	.179	.957
	1¼	1.660	.191	1.278
	1½	1.900	.200	1.500
	2	2.375	.218	1.939
	2½	2.875	.276	2.323
	3	3.500	.300	2.900
	3½	4.000	.318	3.364
	4	4.500	.337	3.826
	5	5.563	.375	4.813
	6	6.625	.432	5.761
	8	8.625	.500	7.625
10	10.750	.500	9.750	
Extra strong pipe (10" through 24" OD)	12	12.750	.500	11.750
	14 OD	14.000	.500	13.000
	16 OD	16.000	.500	15.000
	18 OD	18.000	.500	17.000
	20 OD	20.000	.500	19.000
	24 OD	24.000	.500	23.000
Schedule 80 pipe (10" through 24" OD)	10	10.750	.593	9.564
	12	12.750	.687	11.376
	14 OD	14.000	.750	12.500
	16 OD	16.000	.842	14.314
	18 OD	18.000	.937	16.126
	20 OD	20.000	1.031	17.938
24 OD	24.000	1.218	21.564	

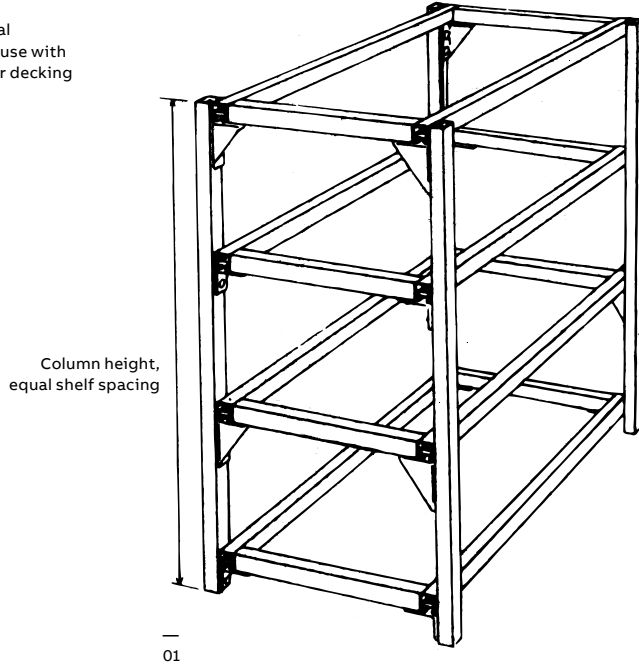
Table 13 — Pipe covering weights thickness (intended as guide only) and weight of calcium silicate covering

Nominal pipe size	260° thick. (in)	360° thick. (in)	440° thick. (in)	525° thick. (in)	600° thick. (in)	700° thick. (in)	800° thick. (in)
1	1	1	1	1	1½	1½	11/2
1¼	1	1	1	1	1½	1½	2
1½	1	1	1	1	1½	1½	2
2	1	1	1	1½	1½	2	2
2½	1	1	1	1½	1½	2	2½
3	1	1	1	1½	1½	2	2½
3½	1	1	1½	1½	2	2	2½
4	1	1	1½	1½	2	2	2½
5	1	1	1½	1½	2	2	2½
6	1½	1½	1½	1½	2	2	2½
8	1½	1½	1½	1½	2	2	2½

Technical information

Design applications (continued)

—
01 Typical general storage rack for use with plywood or other decking



- General storage racks
- Pallet racks
- Barrel racks
- Bulk furniture racks
- Cable racks
- Bar stock racks
- Display racks
- Special purpose racks
- For Uniform Loads on Horizontal Members, See Table 3 (pages 141–151)

—
Table 14 — Column loading for rack construction

Column height (ft)	Cat. No.	Allowable load in lbs. per upright number of shelves per upright								
		2	3	4	5	6	7	8	9	10
6	A-1200	2,237	1,925	1,650	1,437	1,290	—	—	—	—
	A-1202	4,170	3,580	3,100	2,730	2,450	—	—	—	—
	B-1400	800	820	790	700	630	—	—	—	—
	B-1402	1,930	1,700	1,500	1,300	1,190	—	—	—	—
7	A-1200	2,150	1,850	1,630	1,425	1,280	1,150	—	—	—
	A-1202	4,000	3,525	3,000	2,700	2,430	2,200	—	—	—
	B-1400	650	790	760	685	615	550	—	—	—
	B-1402	1,800	1,650	1,450	1,300	1,180	750	—	—	—
8	A-1200	2,000	1,820	1,600	1,400	1,250	1,150	1,050	—	—
	A-1202	3,900	3,475	3,000	2,700	2,400	2,185	2,000	—	—
	B-1400	580	750	730	660	610	540	510	—	—
	B-1402	1,650	1,610	1,450	1,300	1,160	940	970	—	—
9	A-1200	1,950	1,780	1,575	1,400	1,250	1,130	1,030	950	—
	A-1202	3,800	3,400	3,020	2,675	2,400	2,180	1,975	1,800	—
	B-1400	—	600	665	600	580	540	500	475	—
	B-1402	1,500	1,500	1,430	1,275	1,160	1,000	900	800	—
10	A-1200	1,870	1,700	1,500	1,300	1,200	1,100	1,000	900	800
	A-1202	3,600	3,300	3,000	2,650	2,350	2,000	1,975	1,800	1,650
	B-1400	—	550	650	625	580	535	490	450	425
	B-1402	1,450	1,480	1,400	1,250	1,140	1,040	960	885	825

Technical information

Federal Specifications (WW-H-171)/

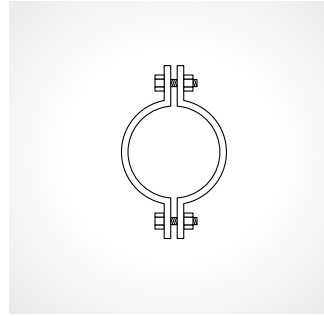
Manufacturers Society Specifications (MSS SP69)



01



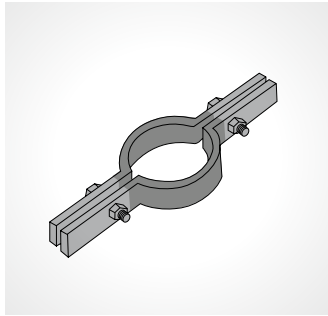
02



03



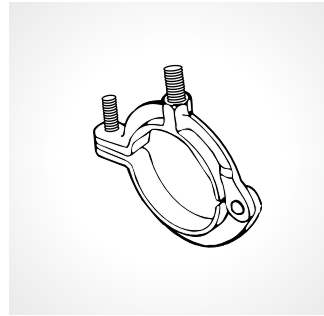
04



05



06



07



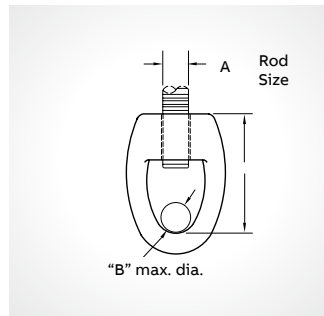
08



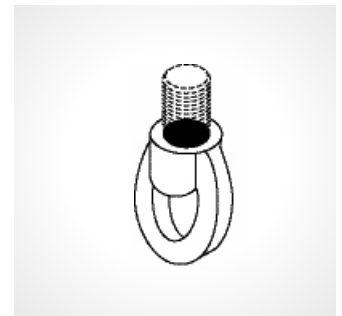
09



10



11



12

01 C-710

Adj. Steel Clevis
Sizes ¾" through 20" IPS
Federal Type 1
SP69 Type 1

02 C-726

Steel Double Bolt
Pipe Clamp
Sizes 1½" through 24" IPS
Federal Type 3
SP69 Type 3

03 C-725

Steel Pipe Clamp
Sizes 1½" through
24" IPS

Federal Type 4
SP69 Type 4

04 CF-710

Adj. Steel Band Hanger
Sizes ½" through 8"
IPS ¾" through 4" tube
Federal Type 7

05 C-720/CT-720

Extension Pipe or
Riser Clamp
Sizes ¾" through 20"
IPS ½" through 6" tube
Federal Type 8
SP69 Type 8

06 C-727/CT-727

Adj. Swivel Ring
Hanger
Sizes ½" through 8" IPS
½" through 4" tube
Federal Type 10
SP69 Type 10

07 M-718/MT-718

MI Split Pipe Ring
w/wo turnbuckle adj.
Sizes ½" through 8" IPS
½" through 4" tube
Federal Type 11
SP69 Type 12

08 CL-710

Light-Duty Clevis Hanger
Sizes ½" through 4"
Federal Type 12

09 F-112

Forged Steel Turnbuckle
Sizes ¾" through 1½" rod
Federal Type 13
SP69 Type 13

10 F-111

Forged Steel Clevis
Sizes ¾" through 1½" rod
Federal Type 14
SP69 Type 13

11 M-117

MI Socket only for
S Split Ring Hanger
Sizes ¾" through
¾" Rod
Federal Type 16
SP69 Type 16

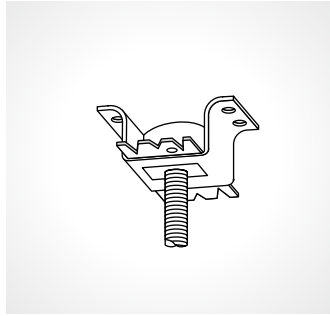
12 E-120-A

Forged Steel Weld-
less Eye Nut Sizes ¾"
through 1½" rod
Federal Type 17
SP69 Type 17

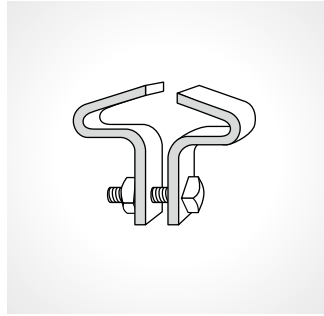
Technical information

Federal Specifications (WW-H-171)/

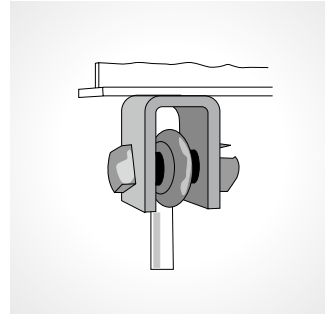
Manufacturers Society Specifications (MSS SP69) (continued)



13



14



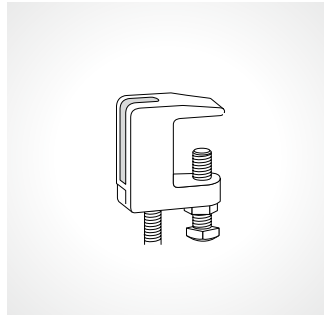
15



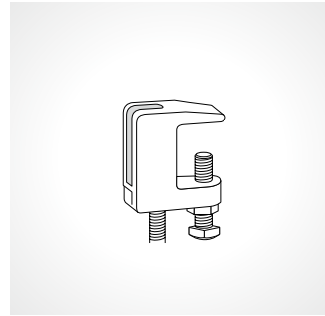
16



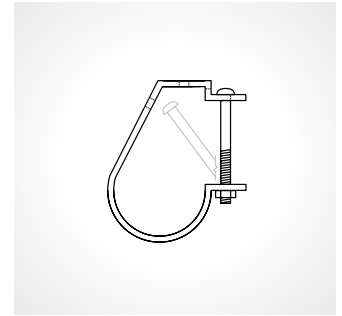
17



18



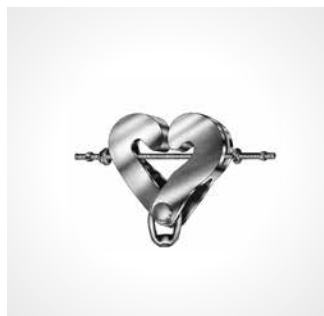
19



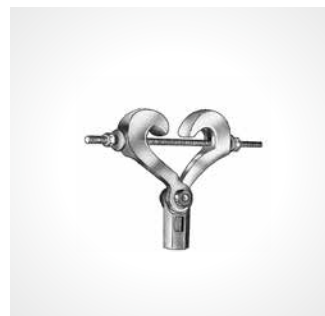
20



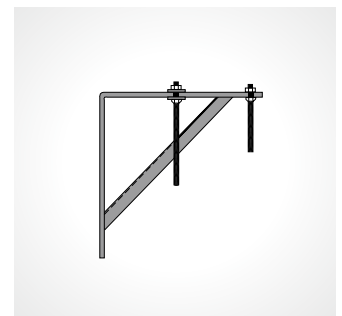
21



22



23



24

13 452
Steel Concrete Insert
Federal Type 19
SP69 Type 18

14 C-755 T/C-757 T
Center I-Beam Clamp
Federal Type 21
SP69 Type 21

15 C-780
Welded attachment
as shown or inverted
less bolt
Federal Type 22
SP69 Type 22

16 M-775-L/C-775-L
MI or Steel C-Clamp
Sizes 3/8" through 7/8"
Federal Type 23
SP69 Type 23

17 H-115
U-Bolt
Sizes 1/2" through 24" IPS
Federal Type 24
SP69 Type 24

18 M-778
Top Beam C-Clamp
Sizes 3/8" through 3/4" rod
SP69 Type 19

19 M-777
Junior Top Beam C-Clamp
Sizes 3/8" through 1/2" rod
SP69 Type 18

20 C-711
"J" Pipe Hanger
Sizes 1/2" through 8" pipe
SP69 Type 5

21 C-704-A
Offset J-Hook
Sizes 1/2" through 3" IPS
Federal Type 27

22 M-732-H
I-Beam w/Eye Nut
Federal w/o links Type 28
Federal w/links Type 29
SP69 Type 28

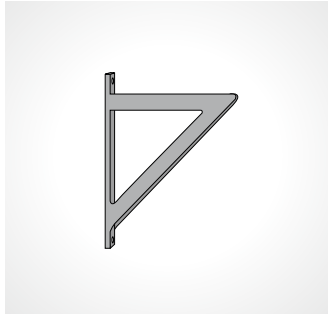
23 M-732/M-732 Ext
I-Beam Clamp
w/Swing Nut
Sizes 3/8" through 7/8" Rod
Federal Type 30
SP69 Type 30

24 C-736
Light Welded
Steel Bracket
Federal Type 32
SP69 Type 31

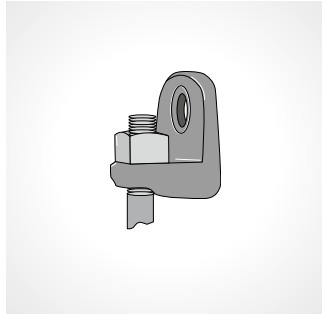
Technical information

Federal Specifications (WW-H-171)/

Manufacturers Society Specifications (MSS SP69) (continued)



01



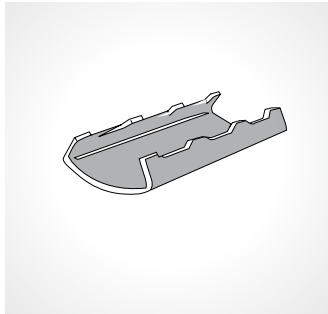
02



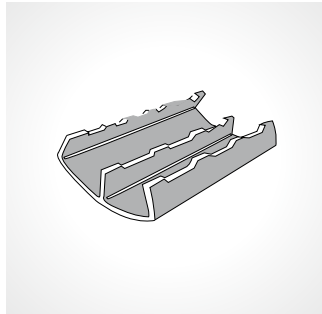
03



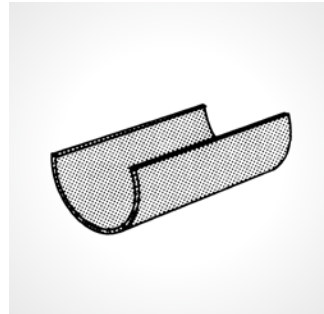
04



05



06



07



08



09



10



11

01 **C-739-H**
Heavy Welded
Steel Bracket
Max. Load 3,000 lbs.
Federal Type 34
SP69 Type 33

02 **M-750**
Side Beam Bracket
Sizes 3/8" through 7/8" Rod
Federal Type 35
SP69 Type 34

03 **C-785-A**
Pipe Stanchion Saddle
Sizes 4" through 36" IPS
Federal Type 38
SP69 Type 37

04 **C-786**
Adj. Pipe Saddle Support
Sizes 2 1/2" through 36" IPS
Federal Type 39
SP69 Type 38

05 **C-789**
Steel Pipe Covering
Protection Saddle
Sizes up to and including
10" IPS
Federal Type 40A
SP69 Type 39

06 **C-789-AL**
Steel Pipe Covering
Protection Saddle
Sizes 12" IPS and larger
Federal Type 40B
SP69 Type 39

07 **C-790**
Insulation Protection
Shield for Vapor sealed
pipe lines and insulated
copper tubing
Sizes 3/4" through 12" IPS
Federal Type 41
SP69 Type 40

08 **RC-729A**
Single Pipe Roll
Sizes 1" through 24" IPS
Federal Type 42
SP69 Type 41

09 **C-729**
Adj. Roller Hanger
Sizes 1" through 20" IPS
Federal Type 44
SP69 Type 43

10 **S-730-C**
Pipe Roll Complete
Federal Type 45
SP69 Type 44

11 **S-730-D**
Adj. Pipe Roll & Base
Federal Type 47
SP69 Type 46



Additional information

We reserve the right to make technical changes or modify the contents of this document without prior notice. With regard to purchase orders, the agreed particulars shall prevail. ABB AG does not accept any responsibility whatsoever for potential errors or possible lack of information in this document.

We reserve all rights in this document and in the subject matter and illustrations contained therein. Any reproduction, disclosure to third parties or utilization of its contents – in whole or in parts – is forbidden without prior written consent of ABB AG.



—
US

ABB Installation Products
Electrification Products division
860 Ridge Lake Blvd.
Memphis, TN 38120
+1 901-252-5000

tnb.abb.com