

Self-aligning Purlin Clips for threaded rod

E-Klips®



The innovative new self-aligning purlin clip for threaded rod from ABB E-Klips is designed for hanging threaded dropper rod from steel purlins.

Purlin clips

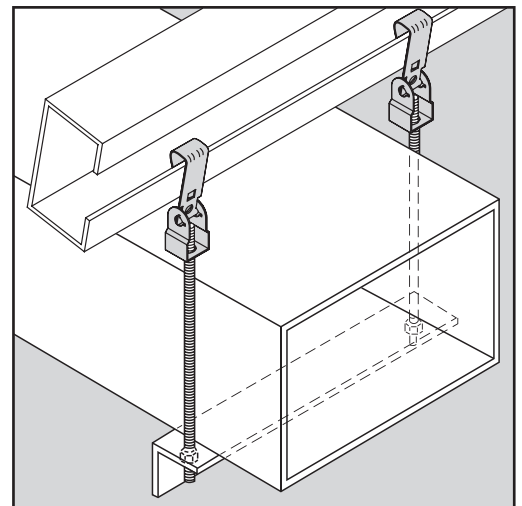
Unlike other clips, this unique design allows the threaded dropper rod to automatically align itself vertically, therefore removing the chance of misapplication which can arise when using fixed or rigid clips.

Like all E-Klips, the purlin clip is quick and simple to install and comes in a range to suit purlins from 1.5mm to 7mm thick and threaded rod sizes M8 and M10.

Features & benefits

E-Klips spring steel fasteners have been manufactured in the UK for over 35 years, providing a flexible and easy to use fixing solution for a wide range of applications:

- Quick and easy to install
- Vertical alignment of dropper rod
- Reduced misapplication
- Suitable for steel purlins 1.5 mm to 7 mm thick
- Steel threaded dropper rod M8 and M10
- Ultimate corrosion resistance with Z600+ Zintek finish



Self-aligning Purlin Clips for threaded rod – Part numbers and dimensions

Part no.	Order code	T (mm)	Ø (mm)	Material finish	Load rating (kg)	Quantity (pieces)
AV155-JB8T	7TCA084030R0787	1.5 to 4 mm	M8	F8+	70	25
AV155-JB10T	7TCA084030R0785	1.5 to 4 mm	M10	F8+	70	25
AV155-JB11	7TCA084030R0786	1.5 to 4 mm	11 mm	F8+	70	25
AV57-JB8T	7TCA084030R0824	4.5 to 7 mm	M8	F8+	70	25
AV57-JB10T	7TCA084030R0822	4.5 to 7 mm	M10	F8+	70	25
AV57-JB11	7TCA084030R0823	4.5 to 7 mm	11 mm	F8+	70	25

* F8+ Zinc silver coloured sacrificial coating (Z600+), giving a corrosion resistance of more than 600 hours, for use in indoor and outdoor humid and mildly corrosive environments. Coating is completely chromium free.

Dimensions and Application

