

BSW Series

BW Type cable gland for armoured cable



Provides means for terminating steel wire armoured cables to a bulkhead or enclosure in industrial applications.

Features & Benefits:

- Excellent pull-out strength
- Robust metallic construction
- Quick and easy installation
- Provides grounding continuity

Applications:

- Construction and installation zones where armoured cables are specified
- Suitable for indoor use

Material:

- Nickel plated brass cable gland
- PVC dust shroud
- Nickel plated brass locknut
- Nickel plated earth tag

Temperature range:

- Normal use -45 to +150°C (-50 to +300)°F

Conforms to:

- BS6121 Pt 1
- EN62444 for wire armoured cables

Ingress protection:

- IP40 - Without Shroud
- IP54 - With Shroud

Chemical resistance guide:

- Please refer to TDS000081

Compatible with cable types:

- SWA - Steel Wire Armoured
- AWA - Aluminium Wire Armoured

Kit Comprises:

- Cable gland
- PVC shroud
- Locknut
- Earth tag

Product selection									
Part no:	Thread	Cable Size Max		A	B (ref)	C	W1	W2	Kits per pack
		Inner	Outer						
BSW-M20S	M20x1.5	11.60	16.10	10.00	18.40	24.40	20.90	20.90	2
		(0.457)	(0.634)	(0.394)	(0.724)	(0.961)	(0.823)	(0.823)	
BSW-M20	M20x1.5	13.90	21.10	10.00	17.00	30.00	23.50	23.50	2
		(0.547)	(0.831)	(0.394)	(0.669)	(1.181)	(0.925)	(0.925)	
BSW-M25	M25x1.5	19.90	27.40	10.00	20.30	36.00	32.50	32.50	2
		(0.783)	(1.079)	(0.394)	(0.799)	(1.417)	(1.280)	(1.280)	
BSW-M32	M32x1.5	26.20	34.40	10.00	23.10	44.50	40.30	40.30	2
		(1.031)	(1.354)	(0.394)	(0.909)	(1.752)	(1.587)	(1.587)	
BSW-M40	M40x1.5	32.10	42.40	15.00	24.50	56.30	48.00	48.00	1
		(1.264)	(1.669)	(0.591)	(0.965)	(2.217)	(1.890)	(1.890)	
BSW-M50S	M50x1.5	38.10	50.10	15.00	26.80	63.40	55.10	55.10	1
		(1.500)	(1.972)	(0.591)	(1.055)	(2.496)	(2.169)	(2.169)	
BSW-M50	M50x1.5	44.00	55.70	15.00	26.80	72.10	61.40	61.40	1
		(1.732)	(2.193)	(0.591)	(1.055)	(2.839)	(2.417)	(2.417)	
BSW-M63S	M63x1.5	50.00	62.40	15.00	29.60	83.70	66.25	66.25	1
		(1.969)	(2.457)	(0.591)	(1.165)	(3.295)	(2.608)	(2.608)	
BSW-M63	M63x1.5	55.90	68.20	15.00	29.60	88.70	72.00	72.00	1
		(2.201)	(2.685)	(0.591)	(1.165)	(3.492)	(2.835)	(2.835)	
BSW-M75S	M75x1.5	61.90	76.80	15.00	32.70	99.80	88.30	88.30	1
		(2.437)	(3.024)	(0.591)	(1.287)	(3.929)	(3.476)	(3.476)	
BSW-M75	M75x1.5	67.90	82.90	15.00	32.70	105.30	88.30	88.30	1
		(2.673)	(3.264)	(0.591)	(1.287)	(4.146)	(3.476)	(3.476)	

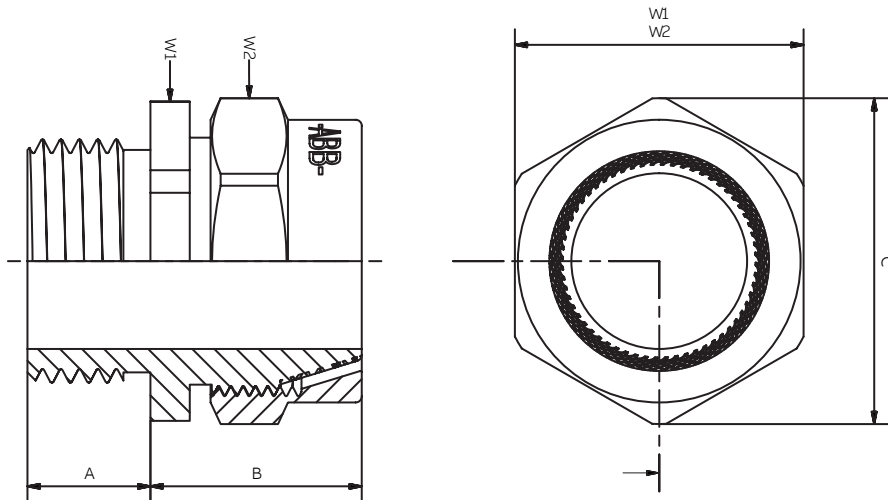


ABB Cable Management Products Ltd
 Station Road
 Coleshill
 Birmingham
 B46 1HT

abb.com

We reserve the right to make technical changes or modify the contents of this document without prior notice. With regard to purchase orders, the agreed particulars shall prevail. ABB does not accept any responsibility whatsoever for potential errors or possible lack of information in this document.

We reserve all rights in this document and in the subject matter and illustrations contained therein. Any reproduction, disclosure to third parties or utilisation of its contents – in whole or in parts – is forbidden without prior written consent of ABB. Copyright© 2018 ABB
 All rights reserved