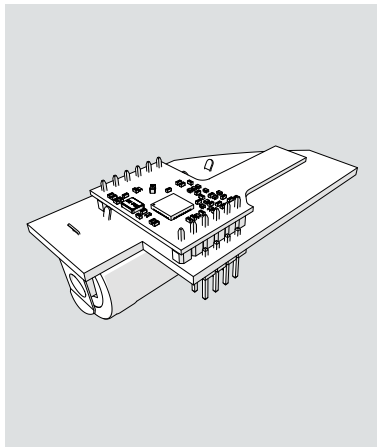


Busch- STD-W1.11

**ABB- STD-W1.1
2CSYD0701N**



DE Funkmodul RWM

EN Busch-Smoke alarm interface module

NL Rookdetector interface module

FR Module interface détecteurs fumée

IT Modulo interfaccia rilevatori fumo

ES Módulo interfaz detectores humo



Inhalt der Verpackung

Installation

Programmierung

Einstellung

Package contents

Installation

Programming

Adjustment

Inhoud verpakking

Installatie

Programming

Afstelling

Contenu emballage

Installation

Programmation

Réglage

Contenuto imballo

Installazione

Programmazione

Regolazione

Contenido del paquete

Instalación

Programación

Regulación



Prüfung

Gebrauch und Funktion

Wartung

Reset

Testing

Use and Operation

Maintenance

Reset

Keuring

Gebruik en werking

Onderhoud

Reset

Essais

Utilisation et
Fonctionnement

Entretien

Reset

Collaudo

Uso e Funzionamento

Manutenzione

Reset

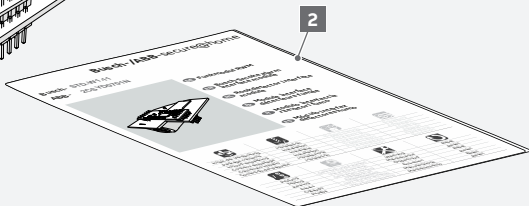
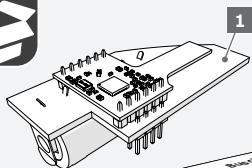
Prueba

Uso y Funcionamiento

Mantenimiento

Reset

1



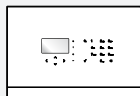
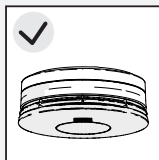
2

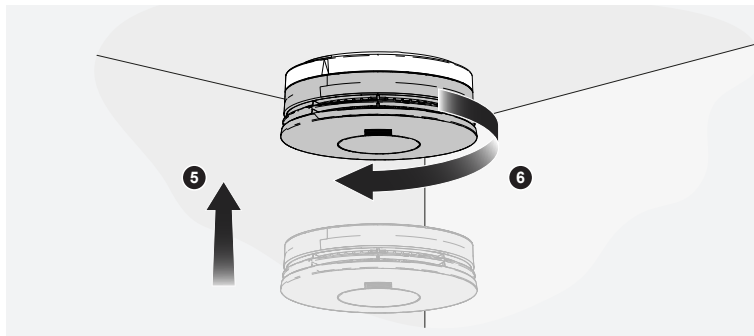
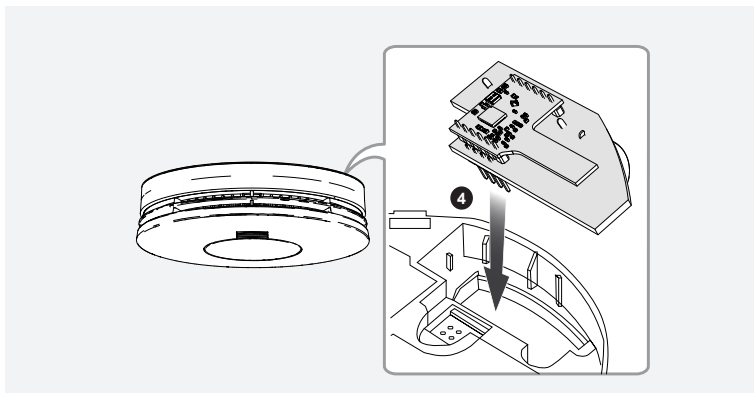
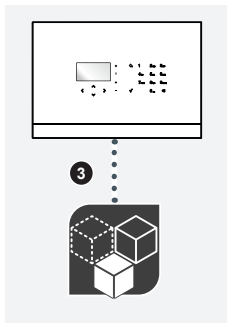
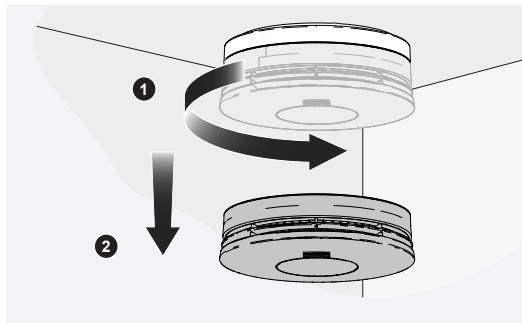


BJE 6800-0-2718
ABB 6800-0-2721



BJE 6800-0-2722
ABB 6800-0-2723

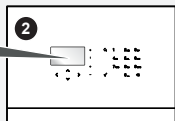
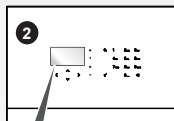




3



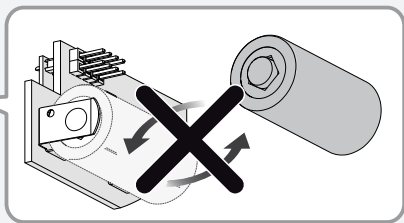
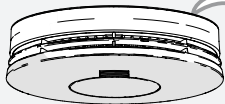
1

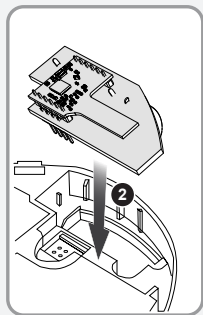
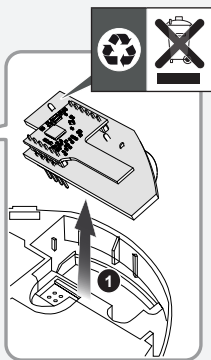


3

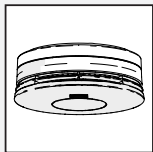
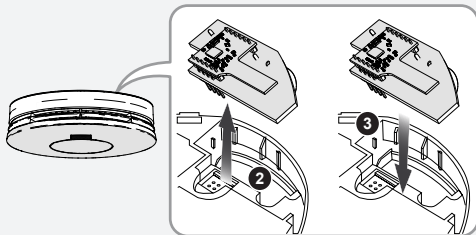
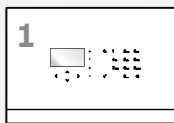


4

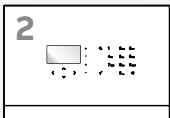




5



4



Technical features

Field of application	Safety
Communication technology	FM 868.3 MHz transmission
Range in free field	300 m
Power supply	3 V – 1.8 Ah lithium battery. Battery life 10 years. Operation guaranteed for 30 days from low battery notification.
Connection to smoke/heat detector	2 x 4 pin connector
Signalling elements	Low battery in the control unit (soglia 2.5 V)
Operating temperature	Radio unit: -5 ... + 45 °C
Operating relative humidity	Max 95% (non-condensing)
Installation site	Indoors

RED 2014/53/UE
2006/95/CE
EN 300 220
EN 50131-1
EN 50131-5-3

Hereby, manufacturer, declares that the radio equipment type "STD-W1.11", "STD-W1.1", "2CSYD0701N", is in compliance with Directive 2014/53/EU. The full text of the EU declaration of conformity is available at the following internet address:



<https://www.busch-jaeger-catalogue.com>



<https://new.abb.com/low-voltage/products/building-automation/product-range/intrusion-alarm-systems/system/abb-secureathome>



Busch-/ABB-secure@home

Busch-Jaeger Elektro GmbH
Freisenbergstraße 2
D-58513 Lüdenscheid

ABB S.p.A.
Viale dell'Industria, 18
20010 Vittuone (MI), Italy