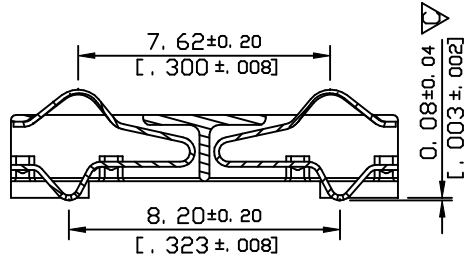
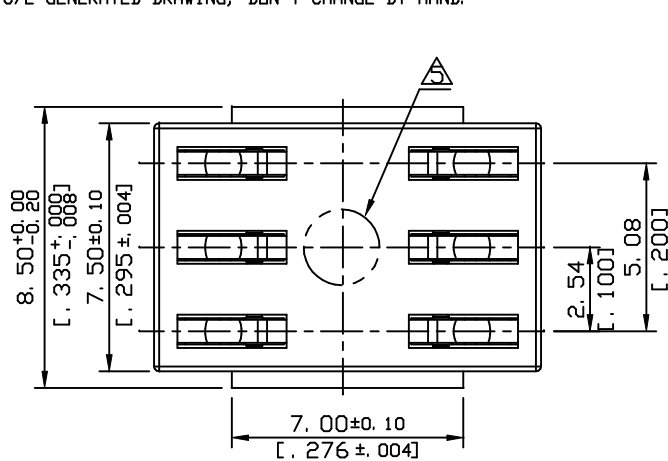
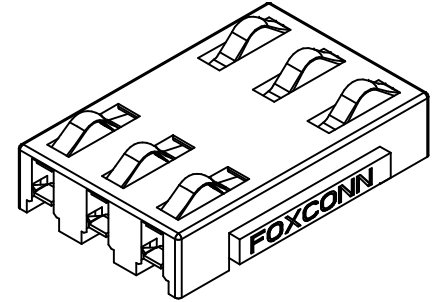


Pro/E GENERATED DRAWING, DON'T CHANGE BY HAND.

REV.	ECN. NO.	APPD.
A	BC0384393	Adward Zheng

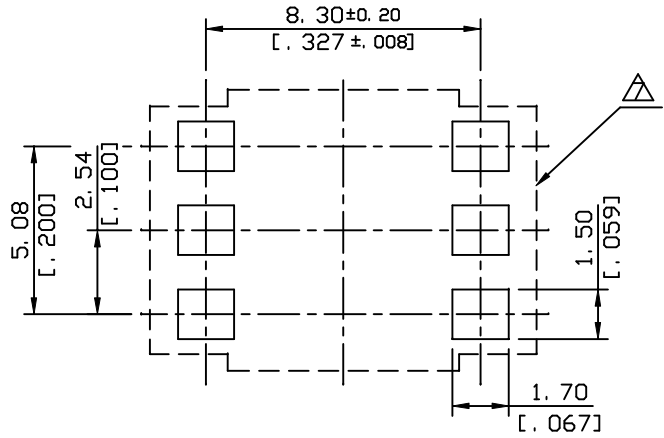
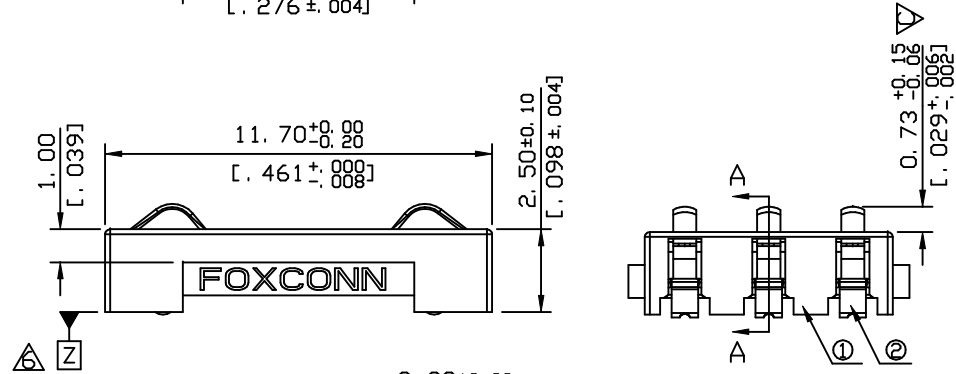


SECTION A-A



NOTES:

- BASE UPON EUROPEAN TELECOMMUNICATION STANDARD GSM 11.11.
 - ELECTRICAL CHARACTERISTICS:
 - CURRENT RATING: 0.5 Amp. MAX. PER CONTACT.
 - LOW LEVEL CONTACT RESISTANCE: 100 mOhms MAX. INITIAL. DIFFERENCE OF 20 mOhms MAX. AFTER CONDITIONS.
 - DIELECTRIC WITHSTANDING VOLTAGE: 530V AC MIN. FOR 1 MINUTE, WITH 1 mAmp. MAX. CURRENT LEAKAGE.
 - INSULATION RESISTANCE: 1000 MOhms MIN. INITIAL AT 500V DC, 100 MOhms MIN. AFTER CONDITION AT 500V DC.
 - MECHANICAL CHARACTERISTICS:
 - CONTACT NORMAL FORCE: 0.30N~0.50N AT WORKING STATION. 0.20N~0.50N AFTER DURABILITY.
 - DURABILITY: 5000 MATING/UNMATING CYCLES.
 - ENVIRONMENTAL CHARACTERISTICS:
 - OPERATING TEMPERATURE: -55°C TO +85°C. [INCLUDING TERMINAL TEMPERATURE RISE].
 - VIBRATION: NO DISCONTINUITIES GREATER THAN 100 ns.
- ⚠️ FLAT SURFACE FOR VACUUM PICK-UP.
 Ⓜ️ DATUM Z IS THE STAND OFF SURFACE OF THE CONNECTOR.
 ⚠️ CONNECTOR LOCATION PROFILE.
 ⚠️ CRITICAL DIMENSION.



RECOMMENDED PCB LAYOUT
TOP VIEW (COMPONENT SIDE)

2	CONTACT	6	COPPER ALLOY	50-90μ' NICKEL PLATING OVERALL 30μ' GOLD PLATING AT CONTACT AREA 3-5μ' GOLD FLASH AT SOLDER AREA 1-3μ' GOLD FLASH AT APPEARANCE AREA	
1	HOUSING	1	THERMOPLASTIC UL 94V-0	MOLDED COLOR: BLACK	
ITEM	DESCRIPTION	Q'TY	MATERIAL	FINISH	REMARK
X. ±	X* ±	UNITS	MM [INCH]	NAME (INTENDED USE)	
.X ± [L. 010]	.X* ±	MAT'L		CUSTOMER	
.XX ± [L. 006]	.XX* ±			PART NO. (INTENDED USE)	
.XXX ±	.XXX* ±	FINISH		WL625A3-F06-TR	
THESE DRAWINGS AND SPECIFICATIONS ARE THE PROPERTY OF HON HAI PRECISION IND. CO., LTD. AND SHALL NOT BE REPRODUCED COPIED OR USED IN ANY MANNER WITHOUT THE PRIOR WRITTEN CONSENT OF HON HAI PRECISION IND. CO., LTD.			Q'TY	APPD: Adward Zheng 11/17/03	TITLE: SIM CARD READER CONNECTOR
			CHKD: C. H. Liang 11/15/03	DWG NO.: 347-0000-1000	
			DR: B. Chen 11/12/03	SCALE	SHEET 1/1
				REV. A	